

AN-1643 Optimizing Feedforward Compensation In Linear Regulators

Chester Simpson

ABSTRACT

All linear voltage regulators use a feedback loop which controls the amount of current sent to the load as required to hold the output voltage at the correct regulated value. The feedback loop is compensated to provide adequate phase margin at the frequency where the loop gain crosses unity (zero dB).

Contents

1	Introduction	1
2	Linear Regulator Loop Basics	2
3	Loop Compensation	2
4	Optimizing Feedforward Compensation	3
5	Load Step Testing	4

List of Figures

1	Basic Linear Regulator	2
2	Feedforward Phase Lead For Various R1/R2 Ratios	3
3	Loop Gain/Phase Measurement System	4
4	Load Step Test Circuit.....	4
5	Optimum Output Voltage Transient Response.....	5
6	Sub-Optimum Output Voltage Transient Response	5

1 Introduction

All linear voltage regulators use a feedback loop which controls the amount of current sent to the load as required to hold the output voltage at the correct regulated value. The feedback loop is compensated to provide adequate phase margin at the frequency where the loop gain crosses unity (zero dB).

In cases where the output voltage is adjustable, and set by an external resistive divider, a compensation technique called *feedforward* can be employed which can increase phase margin by producing phase lead which cancels out some of the phase lag from the internal poles. It should be noted that not all linear regulators require feedforward compensation, but this application note explains the technique for those that will benefit from it (and most will).

2 Linear Regulator Loop Basics

All linear voltage regulators use a similar control topology (see [Figure 1](#)).

A pass transistor device is used to source current to the load. The error amplifier controls this current in response to the output's feedback voltage appearing at the junction of R1 and R2. The action of the loop is such to always force the voltage at the error amplifier's input terminals to be equal to the fixed reference voltage. In this way, the control loop holds the output at the nominal voltage, which is given by:

$$V_{OUT} = V_{REF} (1 + R1/R2) \quad (1)$$

3 Loop Compensation

The control loop is usually compensated locally at the error amplifier, and in some cases, also by using the ESR of the output capacitor to add some positive phase lead. In most "adjustable output" linear regulators (where the resistors R1 and R2 are external to the IC), a capacitor can be placed across R1 to add feedforward compensation which will also add phase lead.

R1, R2, and C_{FF} form a pole-zero pair, where the zero will always be at a lower frequency than the pole. The frequency of the pole-zero pair is given by:

$$F_{ZERO} = 1 / 2 \times \pi \times C_{FF} \times R1 \quad (2)$$

$$F_{POLE} = 1 / 2 \times \pi \times C_{FF} \times (R1 // R2) \quad (3)$$

It should be noted that it is only the zero which adds beneficial phase lead, the pole adds phase lag which tends to cancel out the lead. To improve phase margin, the pole-zero pair must be positioned at the frequency where the zero adds maximum lead and the pole gives minimum phase lag at the unity gain frequency. The net positive phase lead obtained is the difference between these two values at the unity-gain point.

It follows from this that maximum benefit is derived when the pole-zero pair are far apart (which occurs when $R1 \gg R2$). As R1 gets smaller and smaller, the pole frequency moves closer to the zero frequency, eventually canceling out when $R1 = 0$.

Therefore, the higher the ratio of R1/R2 is, the farther the pole and zero are separated and the more potential phase lead can be obtained. This means that feedforward compensation is more effective when the output voltage is set to higher ratios of the reference voltage (since it is the ratio of R1/R2 that is important, not the actual output voltage). A graphical illustration of this is shown in [Figure 2](#) which shows the maximum positive phase lead which can be obtained for selected ratios of R1/R2:

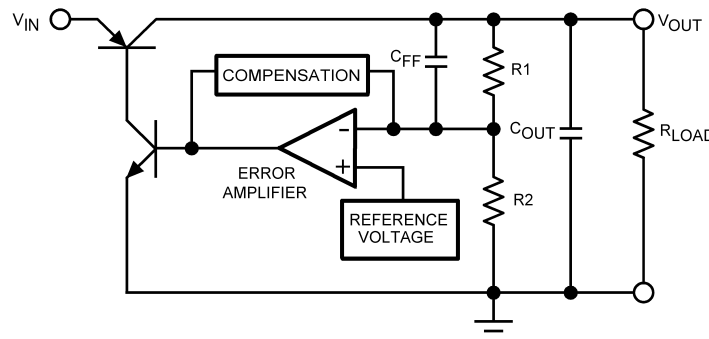


Figure 1. Basic Linear Regulator

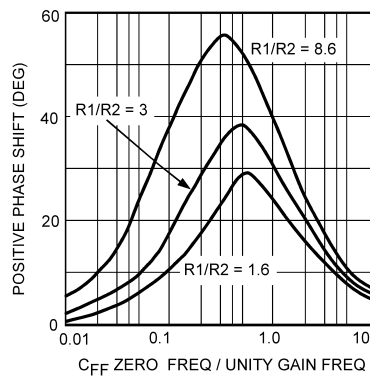


Figure 2. Feedforward Phase Lead For Various R1/R2 Ratios

What is important to note is that as the ratio of R1/R2 is reduced, not only does the maximum possible phase lead reduce, but the effective range over which it can be obtained also gets narrower. This points out an unavoidable fact: feedforward compensation works better at higher output voltages, and its effect is limited at lower voltages. However, it can still improve stability and settling time even when the added phase margin is as little as 10 - 15 degrees.

The placement of the zero frequency with respect to the unity-gain frequency is what maximizes the phase lead provided by C_{FF} . As can be seen, the peak effect from C_{FF} is typically obtained when the zero is centered at approximately 0.3 to 0.6 times the unity-gain frequency.

As a ballpark figure, a good starting point for the feedforward zero frequency for most linear regulators is in the range of about 30kHz to 100kHz.

But, regulator bandwidths vary depending on process type and design topology. Also, many linear regulators have loop bandwidths which change with load current. Because of these reasons, best performance is obtained when C_{FF} is dialed in for the specific application by actual bench testing which allows fine tuning of the value of C_{FF} to maximize the amount of phase lead generated at the unity-gain frequency.

4 Optimizing Feedforward Compensation

The goal of adding feedforward compensation is to increase the phase margin, defined as the difference between the unity-gain phase shift and -180 degrees, which is the point where the loop becomes unstable. This means that a design with 20 degrees of phase margin has a total phase shift of -160 degrees at the unity gain frequency. The obvious way to know the amount of phase margin is to measure the loop gain/phase directly. One technique to do this is to break the loop and use signal injection to read the loop gain/phase as shown in [Figure 3](#).

In the circuit shown, the feedback loop is broken at the top of R1. A ten Ohm resistor is inserted, which is used by the spectrum analyzer to force an AC signal into the loop. The amplitude of the signal is measured at the top and bottom of the resistor, and the ratio of the magnitudes defines the loop gain at that frequency. The spectrum analyzer also measures the phase shift between the two signals, which it uses to calculate the phase margin.

This method is often used, but it has some disadvantages: it is time consuming to set up, and it is often hard to get repeatable measurements because many variables affect the data (calibration of the instrument, frequency characteristics of the probes and isolation transformer). An indirect measurement called Load Step testing is much simpler, and gives very reliable data for optimizing compensation.

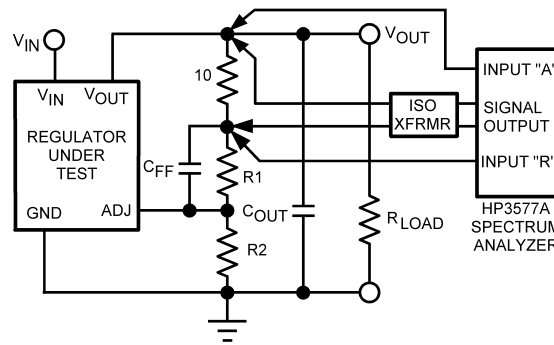


Figure 3. Loop Gain/Phase Measurement System

5 Load Step Testing

Load step testing is a method where the load current is abruptly changed from one level to another, which requires the control loop to correct for the change. Watching the output voltage behavior during a load step gives a very accurate indication of phase margin, and can be used to tune the compensation.

In general, the amount of ringing seen on the output after a load step will increase as phase margin is reduced. It follows that optimizing the compensation for minimum ringing and shortest “settling time” on the output will give best phase margin.

Since most regulators have increased bandwidth at higher values of load current, the load step test method most frequently used is to change the load current from minimum value to maximum (for the application) as quickly as possible. One way to do this is shown in Figure 4.

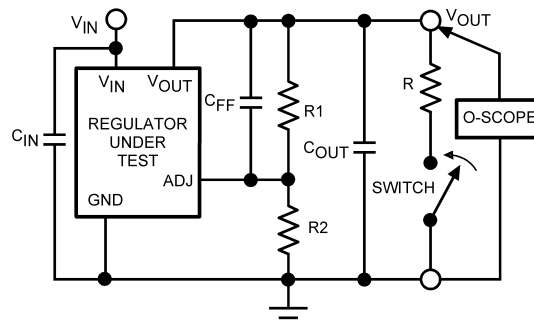


Figure 4. Load Step Test Circuit

Important to note for testing:

1. Select “R” for the maximum load current for the application.
2. C_{IN} must be a low ESR, good quality capacitor to prevent ringing of the V_{IN} source voltage which will be reflected to the output during the load step test and give false data. A Tantalum or Oscon electrolytic is a good choice, with a value of at least $47\mu F$. For best results, parallel it with a good quality ceramic whose value is greater than $1\mu F$ to assure very low source impedance for testing.
3. The switch can be any mechanical contactor switch which can make a sharp, fast connection without bounce. Clip lead ends can be used.
4. An N-FET can be used for the switch, but typically does not give current rise times which are as fast as using mechanical contacts
5. The scope should be set on single-event trigger to sweep on the falling edge of the output voltage waveform. The typical time duration of such transients in linear regulators can range from a few microseconds to tens of microseconds. Most will not exceed 50 microseconds.

When the load current abruptly increases (the instant the switch is closed) the output voltage will fall, then the loop corrects and turns on the power device fully to force the output voltage back up to nominal. As the output voltage reaches the nominal value it will overshoot slightly and then settle out. A control loop with optimum compensation will show a transient response similar to [Figure 5](#).

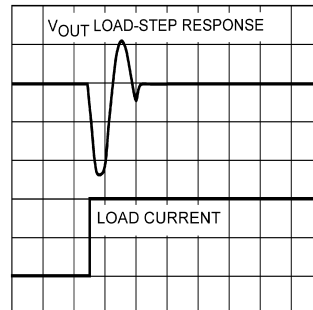


Figure 5. Optimum Output Voltage Transient Response

When phase margin is reduced, the output voltage will show increased ringing and an extended settling time as shown in [Figure 6](#).

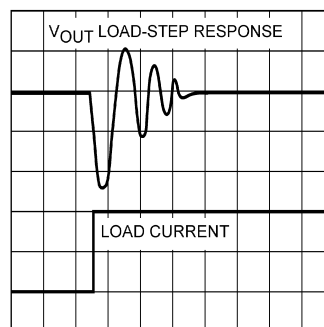


Figure 6. Sub-Optimum Output Voltage Transient Response

When optimizing the value of C_{FF} , it should be remembered that it has a limited effect on phase margin: not every regulator can have optimum transient response. In most cases, an output transient which extinguishes in less than three or four rings is acceptable. The best value of C_{FF} is the one that minimizes the amount of ringing, and gives the shortest settling time for V_{OUT} .

IMPORTANT NOTICE

Texas Instruments Incorporated and its subsidiaries (TI) reserve the right to make corrections, enhancements, improvements and other changes to its semiconductor products and services per JESD46, latest issue, and to discontinue any product or service per JESD48, latest issue. Buyers should obtain the latest relevant information before placing orders and should verify that such information is current and complete. All semiconductor products (also referred to herein as "components") are sold subject to TI's terms and conditions of sale supplied at the time of order acknowledgment.

TI warrants performance of its components to the specifications applicable at the time of sale, in accordance with the warranty in TI's terms and conditions of sale of semiconductor products. Testing and other quality control techniques are used to the extent TI deems necessary to support this warranty. Except where mandated by applicable law, testing of all parameters of each component is not necessarily performed.

TI assumes no liability for applications assistance or the design of Buyers' products. Buyers are responsible for their products and applications using TI components. To minimize the risks associated with Buyers' products and applications, Buyers should provide adequate design and operating safeguards.

TI does not warrant or represent that any license, either express or implied, is granted under any patent right, copyright, mask work right, or other intellectual property right relating to any combination, machine, or process in which TI components or services are used. Information published by TI regarding third-party products or services does not constitute a license to use such products or services or a warranty or endorsement thereof. Use of such information may require a license from a third party under the patents or other intellectual property of the third party, or a license from TI under the patents or other intellectual property of TI.

Reproduction of significant portions of TI information in TI data books or data sheets is permissible only if reproduction is without alteration and is accompanied by all associated warranties, conditions, limitations, and notices. TI is not responsible or liable for such altered documentation. Information of third parties may be subject to additional restrictions.

Resale of TI components or services with statements different from or beyond the parameters stated by TI for that component or service voids all express and any implied warranties for the associated TI component or service and is an unfair and deceptive business practice. TI is not responsible or liable for any such statements.

Buyer acknowledges and agrees that it is solely responsible for compliance with all legal, regulatory and safety-related requirements concerning its products, and any use of TI components in its applications, notwithstanding any applications-related information or support that may be provided by TI. Buyer represents and agrees that it has all the necessary expertise to create and implement safeguards which anticipate dangerous consequences of failures, monitor failures and their consequences, lessen the likelihood of failures that might cause harm and take appropriate remedial actions. Buyer will fully indemnify TI and its representatives against any damages arising out of the use of any TI components in safety-critical applications.

In some cases, TI components may be promoted specifically to facilitate safety-related applications. With such components, TI's goal is to help enable customers to design and create their own end-product solutions that meet applicable functional safety standards and requirements. Nonetheless, such components are subject to these terms.

No TI components are authorized for use in FDA Class III (or similar life-critical medical equipment) unless authorized officers of the parties have executed a special agreement specifically governing such use.

Only those TI components which TI has specifically designated as military grade or "enhanced plastic" are designed and intended for use in military/aerospace applications or environments. Buyer acknowledges and agrees that any military or aerospace use of TI components which have **not** been so designated is solely at the Buyer's risk, and that Buyer is solely responsible for compliance with all legal and regulatory requirements in connection with such use.

TI has specifically designated certain components which meet ISO/TS16949 requirements, mainly for automotive use. Components which have not been so designated are neither designed nor intended for automotive use; and TI will not be responsible for any failure of such components to meet such requirements.

Products

Audio	www.ti.com/audio
Amplifiers	amplifier.ti.com
Data Converters	dataconverter.ti.com
DLP® Products	www.dlp.com
DSP	dsp.ti.com
Clocks and Timers	www.ti.com/clocks
Interface	interface.ti.com
Logic	logic.ti.com
Power Mgmt	power.ti.com
Microcontrollers	microcontroller.ti.com
RFID	www.ti-rfid.com
OMAP Applications Processors	www.ti.com/omap
Wireless Connectivity	www.ti.com/wirelessconnectivity

Applications

Automotive and Transportation	www.ti.com/automotive
Communications and Telecom	www.ti.com/communications
Computers and Peripherals	www.ti.com/computers
Consumer Electronics	www.ti.com/consumer-apps
Energy and Lighting	www.ti.com/energy
Industrial	www.ti.com/industrial
Medical	www.ti.com/medical
Security	www.ti.com/security
Space, Avionics and Defense	www.ti.com/space-avionics-defense
Video and Imaging	www.ti.com/video

TI E2E Community

e2e.ti.com