

AN-1930 SIMPLE SWITCHER® Regulators Take Over Automotive Applications

ABSTRACT

Power management applications, typically located on the front line of the automotive electronics system, can be subject to wide input operating voltage extremes resulting from load-dump and cold-cranking conditions. Careful selection of the power management electronics can provide added margin and protection to the automotive electronics system. The simplest design is provided by a power management switch-mode power supply, such as the LM2267x/80 family of SIMPLE SWITCHER® regulators, which integrates a power MOSFET and sustains a wide steady-state input voltage range.

Contents

1	Load Dump	2
2	Cold Cranking	2
3	Wide Input Voltage Range Rules	4

List of Figures

1	Typical Load-Dump Profile.....	2
2	Typical Cold-Cranking Profile	3
3	Example Circuit with Very Wide Input Voltage Range and Low Component Count	4

List of Tables

1	Series of New SIMPLE SWITCHER Regulators with Very Wide Input Voltage Range from 4.5V to 42V	3
---	--	---

1 Load Dump

Load dump occurs when the automobile battery is disconnected while the engine and the alternator are running. The resultant voltage transient may be as high as 120V, and 400 ms in duration. With such a severe voltage transient, this presents a challenge to the engineer designing the power management system. It is not economically practical to design a power supply solution that operates up to 120V only to accommodate load-dump line transients. Modern automobiles typically have a centralized load-dump protection scheme that limits the voltage during load-dump conditions to much lower voltages. Diode shunt devices such as transient voltage suppression diodes (TVS) may be used to clamp the maximum voltage a power supply will see at its input. Other protection circuits involving high-side MOSFETs, as described in *AN-1533 Over Voltage Protection Circuit for Automotive Load Dump* ([SNVA190](#)) also can be used to protect the application during load-dump situations. However, even with the use of these transient protection devices, the selected power management IC must provide an added margin of protection.

A typical input voltage waveform during a load-dump condition is shown in [Figure 1](#).



Figure 1. Typical Load-Dump Profile

Comparing different design solutions for reliability, simplicity, and cost often supports the selection of a power management IC with a maximum input operating voltage of approximately 40V. The new LM2267x/80 SIMPLE SWITCHER family provides a maximum input operating voltage of 42V to allow additional protection headroom.

2 Cold Cranking

During the startup of a combustion engine, also known as cold crank, the battery supplies a large current to the electric starter motor. Under this condition, the battery voltage sags dramatically. [Figure 2](#) shows a typical cold-cranking profile. The initial voltage collapse to 'V low' is due to the initial peak current needed to start turning the combustion engine. Once the combustion engine is turning, the voltage of the battery plateaus to the 'V plateau' voltage level and finally, when the electric starter motor is disabled, the battery voltage rises to its charging voltage level.

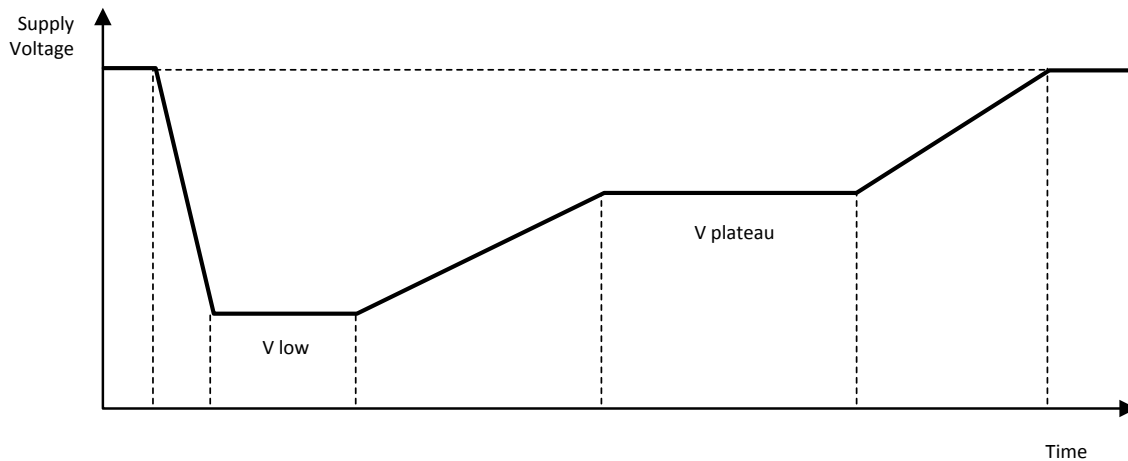


Figure 2. Typical Cold-Cranking Profile

It is becoming increasingly important for automotive subsystems to operate during engine cold-cranking conditions. To increase fuel economy, some new automobiles are being equipped with automated start-stop systems that shut down the combustion engine when the automobile is stopped at a traffic light or in a traffic jam. As the break pedal or the clutch is released, the electric starter motor cold cranks the battery to get the combustion engine operating. For safety and convenience, the power management system must sustain the input operating voltage levels, in such start-stop systems, to insure continuous operation of electronic components found in navigation systems, dashboard electronics, LED break lights, or headlights. This requires power management solutions capable of operation at very low minimum input operating voltages.

For systems where the 'V low' voltage level is 4.5V or above, the LM2267x SIMPLE SWITCHER family provides a good solution. See [Table 1](#) and [Figure 3](#) for a list of devices, features, and an example circuit of the new SIMPLE SWITCHER family.

Table 1. Series of New SIMPLE SWITCHER Regulators with Very Wide Input Voltage Range from 4.5V to 42V

Device	Current	RT/SYNC	Enable	Soft-Start	IADJ
LM22671	0.5A	X	X	X	
LM22674	0.5A		X		
LM22672	1A	X	X	X	
LM22675	1A		X		
LM22680	2A	X	X	X	
LM22670	3A	X	X		
LM22673	3A			X	X
LM22676	3A		X		
LM22677	5A	X	X		
LM22678	5A		X		
LM22679	5A			X	X

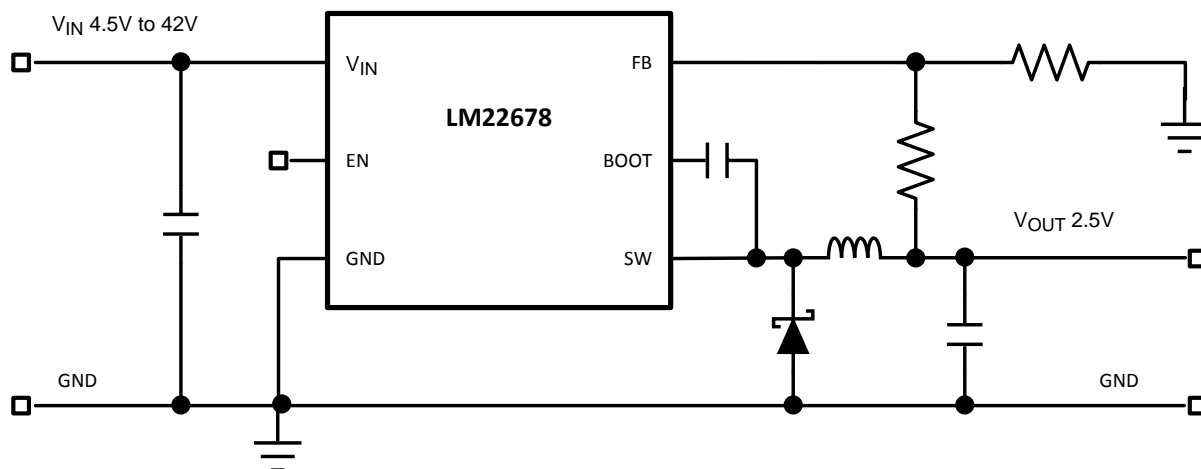


Figure 3. Example Circuit with Very Wide Input Voltage Range and Low Component Count

3 Wide Input Voltage Range Rules

Earlier generations of SIMPLE SWITCHER regulator families remain popular in automotive applications due to their ease of use, low solution component count, and wide input voltage range. The newest LM2267x/80 SIMPLE SWITCHER family meets and exceeds these requirements while adding further refined features such as a higher switching frequency, an even wider input operating voltage range, and improved WEBENCH® online simulation design support.

AECQ100 qualification for the LM2267x/80 is planned.

IMPORTANT NOTICE

Texas Instruments Incorporated and its subsidiaries (TI) reserve the right to make corrections, enhancements, improvements and other changes to its semiconductor products and services per JESD46, latest issue, and to discontinue any product or service per JESD48, latest issue. Buyers should obtain the latest relevant information before placing orders and should verify that such information is current and complete. All semiconductor products (also referred to herein as "components") are sold subject to TI's terms and conditions of sale supplied at the time of order acknowledgment.

TI warrants performance of its components to the specifications applicable at the time of sale, in accordance with the warranty in TI's terms and conditions of sale of semiconductor products. Testing and other quality control techniques are used to the extent TI deems necessary to support this warranty. Except where mandated by applicable law, testing of all parameters of each component is not necessarily performed.

TI assumes no liability for applications assistance or the design of Buyers' products. Buyers are responsible for their products and applications using TI components. To minimize the risks associated with Buyers' products and applications, Buyers should provide adequate design and operating safeguards.

TI does not warrant or represent that any license, either express or implied, is granted under any patent right, copyright, mask work right, or other intellectual property right relating to any combination, machine, or process in which TI components or services are used. Information published by TI regarding third-party products or services does not constitute a license to use such products or services or a warranty or endorsement thereof. Use of such information may require a license from a third party under the patents or other intellectual property of the third party, or a license from TI under the patents or other intellectual property of TI.

Reproduction of significant portions of TI information in TI data books or data sheets is permissible only if reproduction is without alteration and is accompanied by all associated warranties, conditions, limitations, and notices. TI is not responsible or liable for such altered documentation. Information of third parties may be subject to additional restrictions.

Resale of TI components or services with statements different from or beyond the parameters stated by TI for that component or service voids all express and any implied warranties for the associated TI component or service and is an unfair and deceptive business practice. TI is not responsible or liable for any such statements.

Buyer acknowledges and agrees that it is solely responsible for compliance with all legal, regulatory and safety-related requirements concerning its products, and any use of TI components in its applications, notwithstanding any applications-related information or support that may be provided by TI. Buyer represents and agrees that it has all the necessary expertise to create and implement safeguards which anticipate dangerous consequences of failures, monitor failures and their consequences, lessen the likelihood of failures that might cause harm and take appropriate remedial actions. Buyer will fully indemnify TI and its representatives against any damages arising out of the use of any TI components in safety-critical applications.

In some cases, TI components may be promoted specifically to facilitate safety-related applications. With such components, TI's goal is to help enable customers to design and create their own end-product solutions that meet applicable functional safety standards and requirements. Nonetheless, such components are subject to these terms.

No TI components are authorized for use in FDA Class III (or similar life-critical medical equipment) unless authorized officers of the parties have executed a special agreement specifically governing such use.

Only those TI components which TI has specifically designated as military grade or "enhanced plastic" are designed and intended for use in military/aerospace applications or environments. Buyer acknowledges and agrees that any military or aerospace use of TI components which have **not** been so designated is solely at the Buyer's risk, and that Buyer is solely responsible for compliance with all legal and regulatory requirements in connection with such use.

TI has specifically designated certain components as meeting ISO/TS16949 requirements, mainly for automotive use. In any case of use of non-designated products, TI will not be responsible for any failure to meet ISO/TS16949.

Products

Audio	www.ti.com/audio
Amplifiers	amplifier.ti.com
Data Converters	dataconverter.ti.com
DLP® Products	www.dlp.com
DSP	dsp.ti.com
Clocks and Timers	www.ti.com/clocks
Interface	interface.ti.com
Logic	logic.ti.com
Power Mgmt	power.ti.com
Microcontrollers	microcontroller.ti.com
RFID	www.ti-rfid.com
OMAP Applications Processors	www.ti.com/omap
Wireless Connectivity	www.ti.com/wirelessconnectivity

Applications

Automotive and Transportation	www.ti.com/automotive
Communications and Telecom	www.ti.com/communications
Computers and Peripherals	www.ti.com/computers
Consumer Electronics	www.ti.com/consumer-apps
Energy and Lighting	www.ti.com/energy
Industrial	www.ti.com/industrial
Medical	www.ti.com/medical
Security	www.ti.com/security
Space, Avionics and Defense	www.ti.com/space-avionics-defense
Video and Imaging	www.ti.com/video

TI E2E Community

e2e.ti.com