

***Improving Cross Regulation of Multiple Output Flyback Converters***



Literature Number: SNVA562

# IMPROVING CROSS REGULATION OF MULTIPLE OUTPUT FLYBACK CONVERTERS

JOE MARRERO

Principal Engineer Power Management Applications

National Semiconductor 2900 Semiconductor Drive, Santa Clara,  
CA 95052-8090 ( 408 ) 721-3183

## Abstract

Cross regulation has been a serious limitation in using Flyback converters with multiple outputs. This paper shows a simple technique which minimizes the problem by adding small external inductors. These inductors are used to control the rate at which the secondary current will change when the switch turns off. By controlling the rate of change, both line and load cross regulation will improve considerable.

## Introduction

Theoretically cross-regulation in a flyback converter should be better than that of a forward converter, since an additional magnetic (inductor) is needed for the forward converter. In practice this is not the case. Due to the storing of energy during the on time,  $T_{on}$ , the input current will reach some maximum peak,  $I_p$ , at the end of  $T_{on}$ . This current will be transferred to the secondary when the power switch is turned "off". The important point in understanding the cross-regulation is how this transferred current is shared between the secondaries. It will be shown that initially the majority of the current will be transferred to the output which has the smallest leakage inductance. If this output is not used by the feedback to control the PWM then peak detection will occur. If this output is used as the feedback then the duty cycle will be reduced, which in turn will reduce the other outputs.

Another important feature involving cross-regulation is selecting the number of turns for the non-feedback outputs. Typically, to keep the outputs within a certain tolerance it is necessary to add or delete a turn and /or adjust the feedback output. This will increase the select and test time it will take to bring in all to outputs within their specified tolerance. In many cases the cross-regulation problem leads to the use of additional linear and /or switching regulators for several outputs that are out of tolerance.

## Cross-regulation for a dual output

In order to see how the transferred current is initially distributed, when the switch is



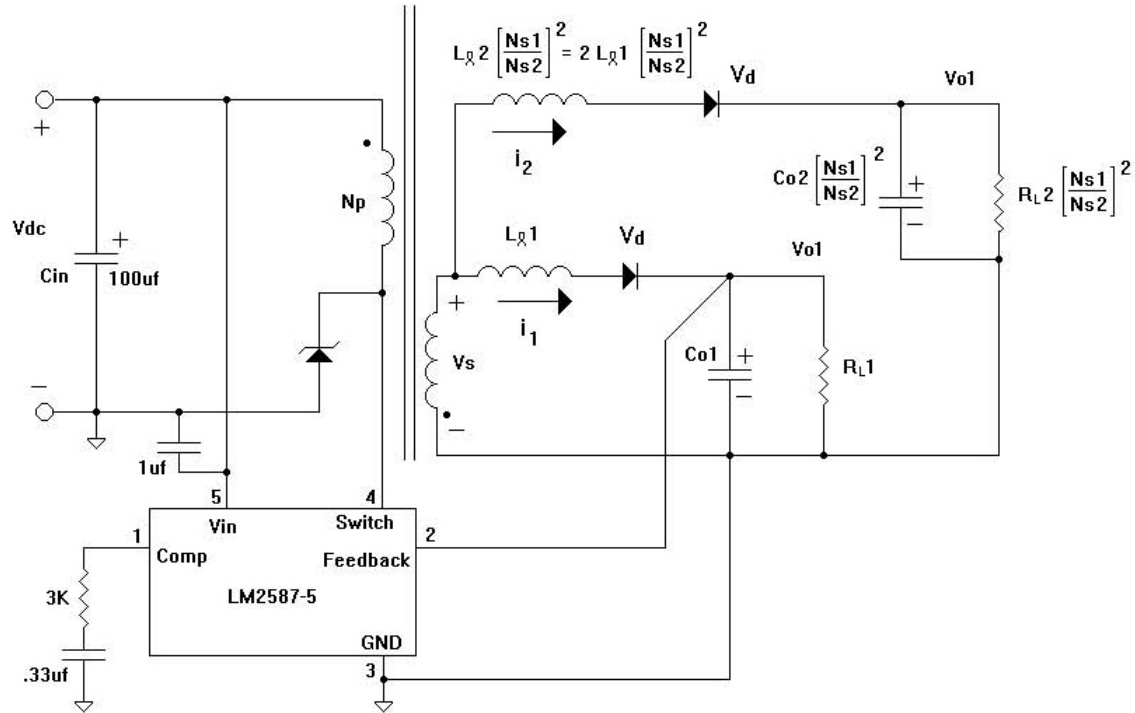


Fig. 2

We notice that if  $V_{d1}=V_{d2}=V_d$  then the voltage across  $L_{r1}$  and  $L_{r2}$  will be the same. Call the voltage across the leakage inductors  $V_o=V_s-(V_{o1}+V_d)$ . Then as soon as the switch turns off, the transferred current will be distributed in accordance with Faraday's Law.

$$L_{r2} \left[ \frac{N_{S1}}{N_{S2}} \right]^2 \frac{di_2}{dt} = v_o$$

$$i_2 = \int di_2 = \int_0^t \frac{V_o}{2 L_{r1} \left[ \frac{N_{S1}}{N_{S2}} \right]^2} dt = \frac{V_o}{2 L_{r1} \left[ \frac{N_{S1}}{N_{S2}} \right]^2} t$$

The above equations are not exact since  $V_o$  is a function of time,  $t$ , and we treated  $V_o$  as a constant, however for understanding how the leakage effects the cross-regulation it is effective.

Similarly we calculate the current,

$$i_1 = \frac{V_o}{L_{r1}} t$$

$$\text{Let } m = \frac{V_o}{L_{r1}} \quad \text{Then } i_1 = m t$$

comparing the two currents we have;

$$i_1 = \frac{V_o}{L_{\alpha 1}} t = m t$$

$$i_2 = \frac{V_o}{2 L_{\alpha 1} \left[ \frac{N_{S1}}{N_{S2}} \right]^2} t = \frac{m}{2 \left[ \frac{N_{S1}}{N_{S2}} \right]^2} t$$

since  $V_{o2} \gg V_{o1}$ , as an example lets say  $V_{o2} = 50 \text{ V}$   
and  $V_{o1} = 5 \text{ V}$  then  $N_{S2} = 10 N_{S1}$

$$\text{Hence } \left[ \frac{N_{S1}}{N_{S2}} \right]^2 = \left[ \frac{1}{10} \right]^2 = \frac{1}{100}$$

$$\text{and } i_1 = m t$$

$$i_2 = \frac{m}{2 \left[ \frac{N_{S1}}{N_{S2}} \right]^2} t = \frac{m}{2 \frac{1}{100}} t = 50 m t = 50 i_1$$

Hence the initial current flowing in  $V_{o2}$  output is 50 times greater than the current in  $V_{o1}$  output. This will lead to output  $V_{o2}$  peaking well beyond 50 V.

Lets us observe a graph to see what happens to the current in both outputs;

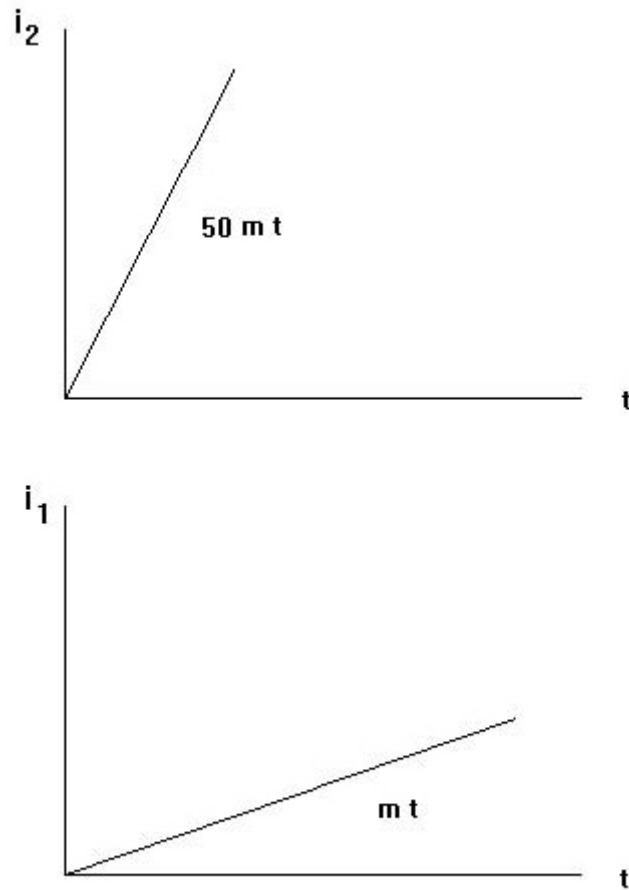


Fig. 3

When the current,  $i_1$ , finally equals the output current,  $I_o$ , and the charging current,  $I_c$ , ( $I_c$  is the current needed to charge the output capacitor  $C_{o1}$ ) a feedback signal is sent to terminate the duty cycle, but by this time the output  $V_{o2}$  has overshoot by a significant amount.

### **Solution to cross-regulation problem**

If we add external inductors, as shown in Figure 4, such that the rate of change in both windings is the same, then there would be no ( or very little ) peaking.

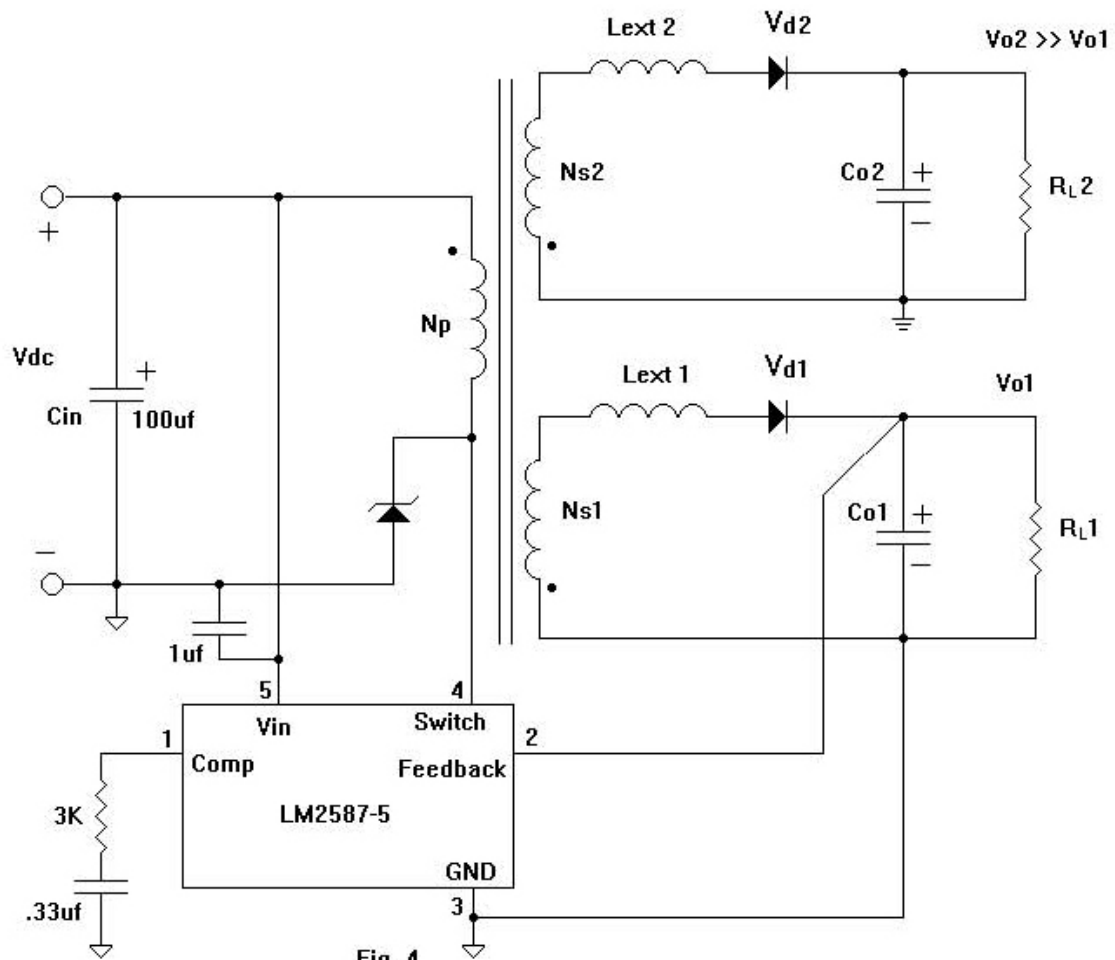


Fig. 4

Note:  $L_{ext2} \gg \text{Leakage2}$  and  $L_{ext1} \gg \text{Leakage1}$

To minimize cost,  $L_{ext1}$  is a one turn MPP or powdered iron core and  $L_{ext2}$  is a similar core with the following value;

$$L_{ext2} = \left[ \frac{N_{S1}}{N_{S2}} \right]^2 L_{ext1}$$

Now reflecting the output  $V_{o2}$  to  $V_{o1}$  as in Figure 5;

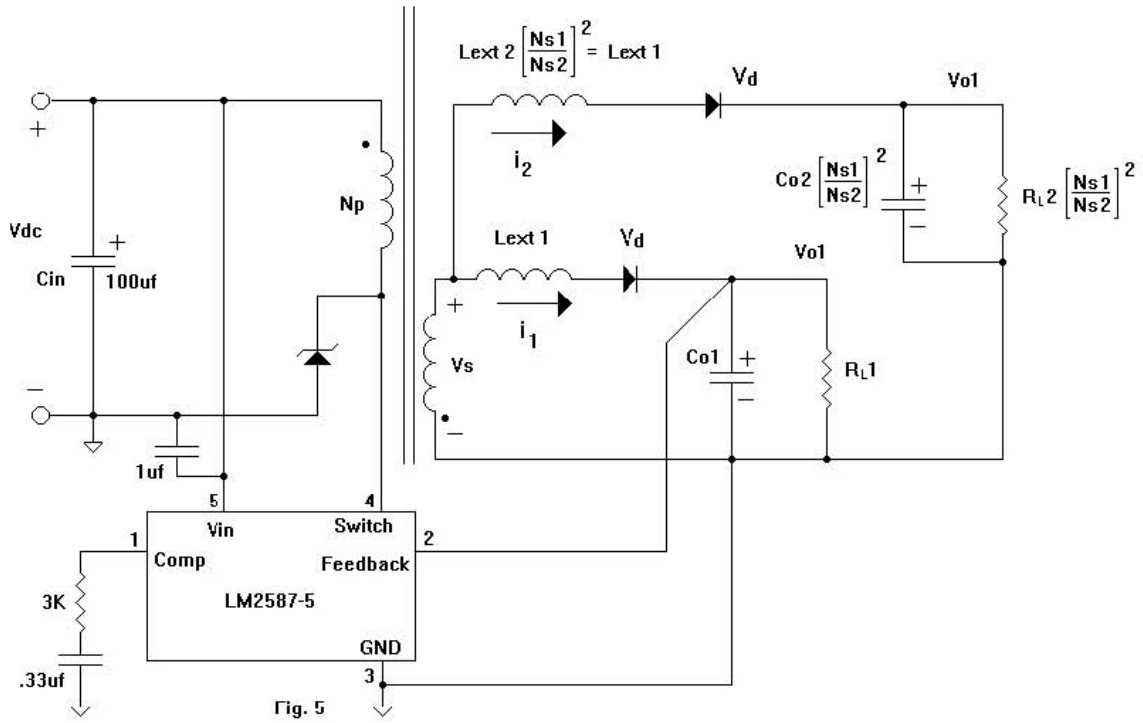


Fig. 5

In accordance to Faradays Law we have the same rate of change of current in both outputs.

$$i_1 = i_2 = \frac{V_o}{L_{ext1}} t$$

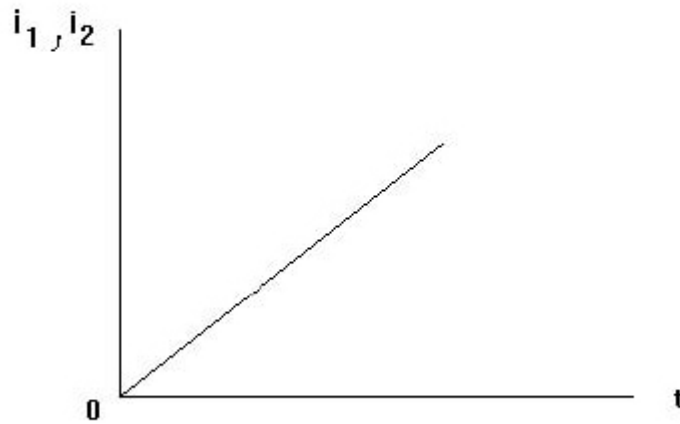


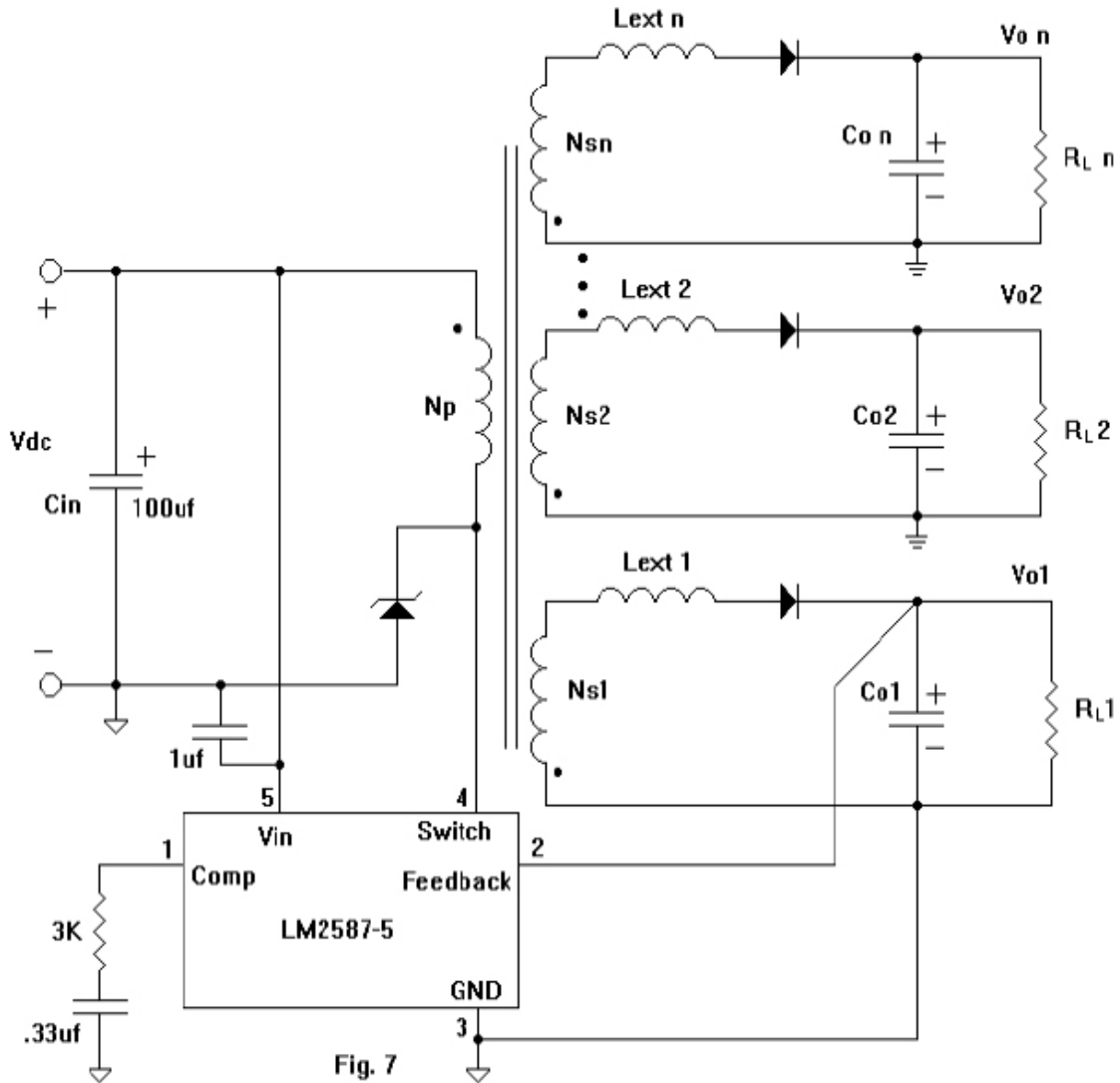
Fig. 6

Since we have the same rate of change, peak detecting will be reduced significantly. This will improve the cross-regulation problem.



## Multiple outputs

A similar situation and solution exists for multiple outputs as shown in Figure 7.



Reflecting all outputs to the feedback winding,  $V_{o1}$ , and selecting the external inductor follows;

$$L_{ext\ 1} = \left[ \frac{N_{S1}}{N_{S2}} \right]^2 L_{ext\ 2} = \left[ \frac{N_{S1}}{N_{S3}} \right]^2 L_{ext\ 3} = \dots = \left[ \frac{N_{S1}}{N_{Sn}} \right]^2 L_{ext\ n}$$

This will assure that the rate of change of current in all the outputs will be the same. This will improve the cross-regulation in all outputs by minimizing peak overshooting or undershooting any output.

This technique also minimizes selecting the “right” feedback voltage,  $V_{o1}$ , such that all outputs are within tolerance.

Ref:

- [1] J.Marrero, “Utilizing ripple steering in Forward and Flyback converters”, HFPC 1995, pp. 158-172.
- [2] J.Marrero, Courses on Intermediate and Advance switching power supply design.
- [3] J.Marrero and C. Peng , “Ripple current reduction circuit”,U.S. patent #5038263.
- [4] National Semiconductor Power IC’s databook 1995 edition, pages 3-116 to 3-139 ( LM2587 datasheet )

## IMPORTANT NOTICE

Texas Instruments Incorporated and its subsidiaries (TI) reserve the right to make corrections, modifications, enhancements, improvements, and other changes to its products and services at any time and to discontinue any product or service without notice. Customers should obtain the latest relevant information before placing orders and should verify that such information is current and complete. All products are sold subject to TI's terms and conditions of sale supplied at the time of order acknowledgment.

TI warrants performance of its hardware products to the specifications applicable at the time of sale in accordance with TI's standard warranty. Testing and other quality control techniques are used to the extent TI deems necessary to support this warranty. Except where mandated by government requirements, testing of all parameters of each product is not necessarily performed.

TI assumes no liability for applications assistance or customer product design. Customers are responsible for their products and applications using TI components. To minimize the risks associated with customer products and applications, customers should provide adequate design and operating safeguards.

TI does not warrant or represent that any license, either express or implied, is granted under any TI patent right, copyright, mask work right, or other TI intellectual property right relating to any combination, machine, or process in which TI products or services are used. Information published by TI regarding third-party products or services does not constitute a license from TI to use such products or services or a warranty or endorsement thereof. Use of such information may require a license from a third party under the patents or other intellectual property of the third party, or a license from TI under the patents or other intellectual property of TI.

Reproduction of TI information in TI data books or data sheets is permissible only if reproduction is without alteration and is accompanied by all associated warranties, conditions, limitations, and notices. Reproduction of this information with alteration is an unfair and deceptive business practice. TI is not responsible or liable for such altered documentation. Information of third parties may be subject to additional restrictions.

Resale of TI products or services with statements different from or beyond the parameters stated by TI for that product or service voids all express and any implied warranties for the associated TI product or service and is an unfair and deceptive business practice. TI is not responsible or liable for any such statements.

TI products are not authorized for use in safety-critical applications (such as life support) where a failure of the TI product would reasonably be expected to cause severe personal injury or death, unless officers of the parties have executed an agreement specifically governing such use. Buyers represent that they have all necessary expertise in the safety and regulatory ramifications of their applications, and acknowledge and agree that they are solely responsible for all legal, regulatory and safety-related requirements concerning their products and any use of TI products in such safety-critical applications, notwithstanding any applications-related information or support that may be provided by TI. Further, Buyers must fully indemnify TI and its representatives against any damages arising out of the use of TI products in such safety-critical applications.

TI products are neither designed nor intended for use in military/aerospace applications or environments unless the TI products are specifically designated by TI as military-grade or "enhanced plastic." Only products designated by TI as military-grade meet military specifications. Buyers acknowledge and agree that any such use of TI products which TI has not designated as military-grade is solely at the Buyer's risk, and that they are solely responsible for compliance with all legal and regulatory requirements in connection with such use.

TI products are neither designed nor intended for use in automotive applications or environments unless the specific TI products are designated by TI as compliant with ISO/TS 16949 requirements. Buyers acknowledge and agree that, if they use any non-designated products in automotive applications, TI will not be responsible for any failure to meet such requirements.

Following are URLs where you can obtain information on other Texas Instruments products and application solutions:

### Products

Audio	<a href="http://www.ti.com/audio">www.ti.com/audio</a>
Amplifiers	<a href="http://amplifier.ti.com">amplifier.ti.com</a>
Data Converters	<a href="http://dataconverter.ti.com">dataconverter.ti.com</a>
DLP® Products	<a href="http://www.dlp.com">www.dlp.com</a>
DSP	<a href="http://dsp.ti.com">dsp.ti.com</a>
Clocks and Timers	<a href="http://www.ti.com/clocks">www.ti.com/clocks</a>
Interface	<a href="http://interface.ti.com">interface.ti.com</a>
Logic	<a href="http://logic.ti.com">logic.ti.com</a>
Power Mgmt	<a href="http://power.ti.com">power.ti.com</a>
Microcontrollers	<a href="http://microcontroller.ti.com">microcontroller.ti.com</a>
RFID	<a href="http://www.ti-rfid.com">www.ti-rfid.com</a>
OMAP Mobile Processors	<a href="http://www.ti.com/omap">www.ti.com/omap</a>
Wireless Connectivity	<a href="http://www.ti.com/wirelessconnectivity">www.ti.com/wirelessconnectivity</a>

### Applications

Communications and Telecom	<a href="http://www.ti.com/communications">www.ti.com/communications</a>
Computers and Peripherals	<a href="http://www.ti.com/computers">www.ti.com/computers</a>
Consumer Electronics	<a href="http://www.ti.com/consumer-apps">www.ti.com/consumer-apps</a>
Energy and Lighting	<a href="http://www.ti.com/energy">www.ti.com/energy</a>
Industrial	<a href="http://www.ti.com/industrial">www.ti.com/industrial</a>
Medical	<a href="http://www.ti.com/medical">www.ti.com/medical</a>
Security	<a href="http://www.ti.com/security">www.ti.com/security</a>
Space, Avionics and Defense	<a href="http://www.ti.com/space-avionics-defense">www.ti.com/space-avionics-defense</a>
Transportation and Automotive	<a href="http://www.ti.com/automotive">www.ti.com/automotive</a>
Video and Imaging	<a href="http://www.ti.com/video">www.ti.com/video</a>

TI E2E Community Home Page

[e2e.ti.com](http://e2e.ti.com)

Mailing Address: Texas Instruments, Post Office Box 655303, Dallas, Texas 75265  
Copyright © 2011, Texas Instruments Incorporated