

Application Report

# LM5146-Q1 Functional Safety, FIT Rate, and Failure Mode Distribution



## Table of Contents

1 Overview.....	2
2 Failure Mode Distribution (FMD).....	3
3 Functional Safety Failure In Time (FIT) Rates.....	4
4 Pin Failure Mode Analysis (Pin FMA).....	5
5 Revision History.....	10

### Trademarks

All other trademarks are the property of their respective owners.

## 1 Overview

This document contains information for LM5146-Q1 (VQFN package) to aid in a functional safety system design. Information provided are:

- Functional Safety Failure In Time (FIT) rates of the semiconductor component estimated by the application of industry reliability standards
- Component failure modes and their distribution (FMD) based on the primary function of the device

Figure 1-1 shows the device functional block diagram for reference.

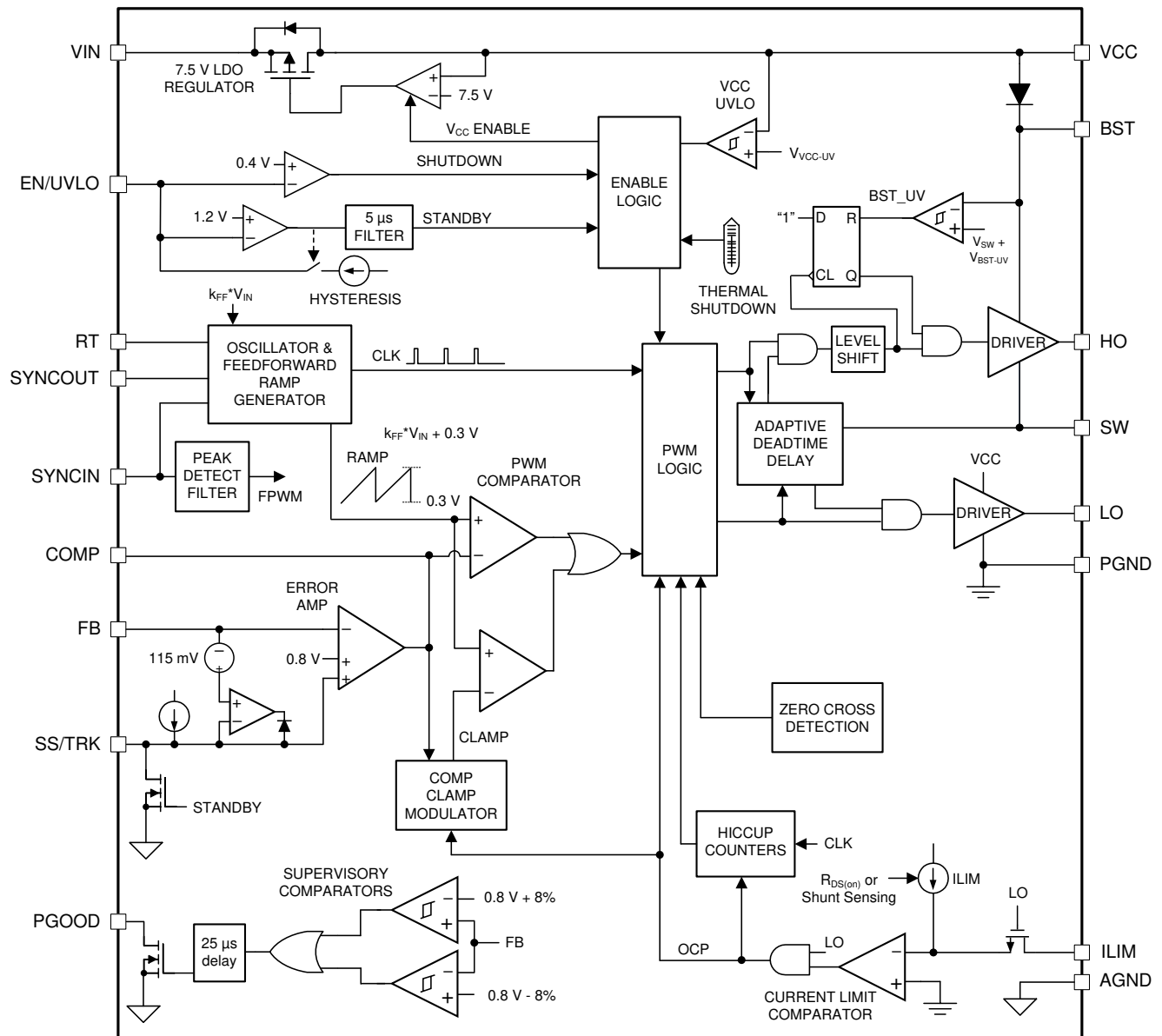


Figure 1-1. Functional Block Diagram

LM5146-Q1 was developed using a quality-managed development process, but was not developed in accordance with the IEC 61508 or ISO 26262 standards.

## 2 Failure Mode Distribution (FMD)

The failure mode distribution estimation for LM5146-Q1 in [Table 2-1](#) comes from the combination of common failure modes listed in standards such as IEC 61508 and ISO 26262, the ratio of sub-circuit function size and complexity and from best engineering judgment.

The failure modes listed in this section reflect random failure events and do not include failures due to misuse or overstress.

**Table 2-1. Die Failure Modes and Distribution**

Die Failure Modes	Failure Mode Distribution (%)
HO or LO gate driver stuck off	20%
HO or LO output not in specification – voltage or timing	45%
Ho or LO gate driver open – high Z	10%
HO or LO gate driver stuck on	20%
PGOOD false trip, fails to trip	5%

### 3 Functional Safety Failure In Time (FIT) Rates

This section provides Functional Safety Failure In Time (FIT) rates for LM5146-Q1 based on two different industry-wide used reliability standards:

- [Table 3-1](#) provides FIT rates based on IEC TR 62380 / ISO 26262 part 11
- [Table 3-2](#) provides FIT rates based on the Siemens Norm SN 29500-2

**Table 3-1. Component Failure Rates per IEC TR 62380 / ISO 26262 Part 11**

FIT IEC TR 62380 / ISO 26262	FIT (Failures Per 10 <sup>9</sup> Hours)
Total Component FIT Rate	30
Die FIT Rate	6
Package FIT Rate	24

The failure rate and mission profile information in [Table 3-1](#) comes from the Reliability data handbook IEC TR 62380 / ISO 26262 part 11:

- Mission Profile: Motor Control from Table 11
- Power dissipation: 750 mW
- Climate type: World-wide Table 8
- Package factor ( $\lambda_3$ ): Table 17b
- Substrate Material: FR4
- EOS FIT rate assumed: 0 FIT

**Table 3-2. Component Failure Rates per Siemens Norm SN 29500-2**

Table	Category	Reference FIT Rate	Reference Virtual T <sub>J</sub>
5	CMOS/BICMOS ASICs Analog & Mixed HV >50V supply	30 FIT	75°C

The Reference FIT Rate and Reference Virtual T<sub>J</sub> (junction temperature) in [Table 3-2](#) come from the Siemens Norm SN 29500-2 tables 1 through 5. Failure rates under operating conditions are calculated from the reference failure rate and virtual junction temperature using conversion information in SN 29500-2 section 4.

## 4 Pin Failure Mode Analysis (Pin FMA)

This section provides a Failure Mode Analysis (FMA) for the pins of the LM5146-Q1. The failure modes covered in this document include the typical pin-by-pin failure scenarios:

- Pin short-circuited to Ground (see [Table 4-2](#))
- Pin short-circuited to 12 V (see [Table 4-3](#))
- Pin open-circuited (see [Table 4-5](#))
- Pin short-circuited to an adjacent pin (see [Table 4-6](#))

[Table 4-2](#) through [Table 4-6](#) also indicate how these pin conditions can affect the device as per the failure effects classification in [Table 4-1](#).

**Table 4-1. TI Classification of Failure Effects**

Class	Failure Effects
A	Potential device damage that affects functionality
B	No device damage, but loss of functionality
C	No device damage, but performance degradation
D	No device damage, no impact to functionality or performance

[Figure 4-1](#) shows the LM5146-Q1 pin diagram. For a detailed description of the device pins please refer to the *Pin Configuration and Functions* section in the LM5146-Q1 data sheet.

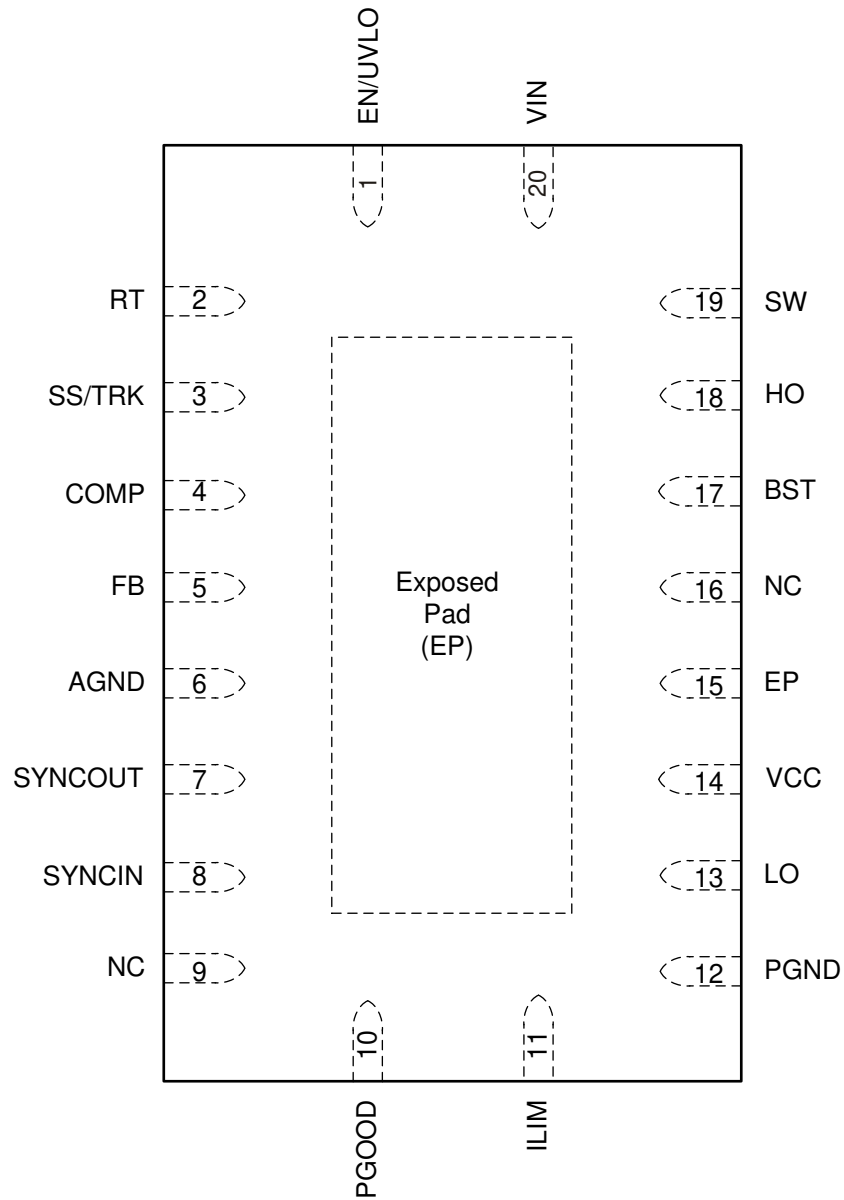


Figure 4-1. Pin Diagram

**Table 4-2. Pin FMA for Short to GND**

Pin Name	Pin No.	Description of Potential Failure Effect(s)	Failure Effect Class
EN/UVLO	1	VOUT = 0 V	B
RT	2	VOUT = 0 V	B
SS/TRK	3	VOUT = 0 V	B
COMP	4	VOUT = 0 V	B
FB	5	VOUT is limited by when the part enters into hiccup mode	B
AGND	6	Normal operation	D
SYNCOU	7	VOUT = 0 V	B
SYNCIN	8	Normal operation with DCM at light loads	B
NC9	9	Normal operation	D
PGOOD	10	Normal operation	C
ILIM	11	Normal operation	B
PGND	12	Normal operation	D
LO	13	VOUT = 0 V	B
VCC	14	VOUT = 0 V	B
EP	15	Normal operation	D
NC16	16	Normal operation	D
BST	17	VOUT = 0 V	B
HO	18	VOUT = 0 V	B
SW	19	VOUT = 0 V	A
VIN	20	VOUT = 0 V	B

**Table 4-3. Pin FMA for Short to VIN ≥ 12 V**

Pin Name	Pin No.	Description of Potential Failure Effect(s)	Failure Effect Class
EN/UVLO	1	ESD protection runs full current and RT pin destroyed (VOUT = 0 V)	C
RT	2	ESD protection runs full current and SS pin destroyed (VOUT = 0 V)	A
SS/TRK	3	ESD protection runs full current and COMP destroyed (VOUT = 0 V)	A
COMP	4	ESD protection runs full current and COMP pin destroyed (VOUT = 0 V)	A
FB	5	ESD protection runs full current and FB pin destroyed (VOUT = 0 V)	A
AGND	6	VOUT = 0 V	D
SYNCOU	7	ESD protection runs full current and SYNCOU pin destroyed (VOUT = 0 V)	A
SYNCIN	8	ESD protection runs full current and SYNCIN pin destroyed, but the part continues to work normally	A
NC9	9	Normal operation	D
PGOOD	10	ESD protection runs full current and PGOOD pin destroyed, but VOUT might not be affected	A
ILIM	11	Buck operation is not affected	C
PGND	12	VOUT = 0 V	B
LO	13	VOUT = 0 V	B
VCC	14	ESD protection runs full current and VCC pin destroyed (VOUT = 0 V)	A
EP	15	Normal operation	D
NC16	16	Normal operation	D
BST	17	ESD protection runs full current and BST pin destroyed (VOUT = 0 V)	A
HO	18	VOUT = VIN	A

Pin Name	Pin No.	Description of Potential Failure Effect(s)	Failure Effect Class
SW	19	VOUT = VIN	B
VIN	20	Normal operation	D

**Table 4-4. Pin FMA for Short to VOUT**

Pin Name	Pin Number	Description of Potential Failure Effect(s)	Failure Class
EN/UVLO	1	VOUT = 0 V	B
RT	2	VOUT = 0 V	A
SS/TRK	3	VOUT = 0 V	A
COMP	4	VOUT = 0 V	A
FB	5	VOUT = VREF	A
AGND	6	VOUT = 0 V	B
SYNCOUT	7	Normal operation	A
SYNCIN	8	Normal operation. FPWM enabled	A
NC9	9	Normal operation	D
PGOOD	10	Normal operation	A
ILIM	11	Normal operation	C
PGND	12	VOUT = 0 V	B
LO	13	VOUT = 0 V	B
VCC	14	VOUT = 0 V	A
EP	15	Normal operation	D
NC16	16	Normal operation	D
BST	17	VOUT = 0 V	B
HO	18	VOUT = 0 V	B
SW	19	VOUT = 0 V	B
VIN	20	VOUT = VIN	B

**Table 4-5. Pin FMA Open-Circuited**

Pin Name	Pin Number	Description of Potential Failure Effect(s)	Failure Class
EN/UVLO	1	VOUT = 0 V	B
RT	2	VOUT = 0 V	B
SS/TRK	3	Normal operation	C
COMP	4	Regulated to required voltage. SW freq is all over the place	B
FB	5	VOUT = 0 V	B
AGND	6	VOUT = 0 V	B
SYNCOUT	7	Normal operation	C
SYNCIN	8	Normal operation. DCM mode	C
NC9	9	Normal operation	D
PGOOD	10	Normal operation	C
ILIM	11	Normal operation	C
PGND	12	VOUT = 0 V	B
LO	13	Normal operation. DCM mode enabled at light loads	B
VCC	14	VOUT = 0 V	B
EP	15	Normal operation	D



Pin Name	Pin Number	Description of Potential Failure Effect(s)	Failure Class
NC16	16	Normal operation	D
BST	17	VOUT = 0 V	B
HO	18	VOUT = 0 V	B
SW	19	VOUT = 0 V	B
VIN	20	VOUT = 0 V	B

**Table 4-6. Pin FMA for Short-Circuited to Adjacent Pin**

Pin Name	Pin Number	Description of Potential Failure Effect(s)	Failure Class	Neighbor
EN/UVLO	1	Normal operation	C	VIN
RT	2	VOUT = 0 V	B	SS/TRK
SS/TRK	3	VOUT = 0 V	B	COMP
COMP	4	VOUT is not regulated to required voltage and is controlled by the ON time it makes when COMP is 0.8 V and the switching frequency set by RT pin	B	FB
FB	5	VOUT is limited by when the part enters into hiccup mode	B	AGND
AGND	6	VOUT = 0 V	B	SYNCOUT
SYNCOUT	7	Normal operation	C	SYNCIN
SYNCIN	8	Normal operation	D	NC9
NC9	9	Normal operation	D	
PGOOD	10	Normal operation	A	ILIM
ILIM	11	Normal operation	D	
PGND	12	VOUT = 0 V	A	LO
LO	13	VOUT = 0 V	B	VCC
VCC	14	Normal operation	D	EP
EP	15	Normal operation	D	NC16
NC16	16	Normal operation	D	BST
BST	17	VOUT = 0 V	B	HO
HO	18	VOUT = 0 V	B	SW
SW	19	Normal operation	D	
VIN	20	Normal operation	D	

## 5 Revision History

NOTE: Page numbers for previous revisions may differ from page numbers in the current version.

### Changes from January 28, 2020 to June 15, 2020 (from Revision \* (January 2020) to Revision A (June 2020))

**Page**

- Updated functional safety document to the new template.....2

## IMPORTANT NOTICE AND DISCLAIMER

TI PROVIDES TECHNICAL AND RELIABILITY DATA (INCLUDING DATASHEETS), DESIGN RESOURCES (INCLUDING REFERENCE DESIGNS), APPLICATION OR OTHER DESIGN ADVICE, WEB TOOLS, SAFETY INFORMATION, AND OTHER RESOURCES "AS IS" AND WITH ALL FAULTS, AND DISCLAIMS ALL WARRANTIES, EXPRESS AND IMPLIED, INCLUDING WITHOUT LIMITATION ANY IMPLIED WARRANTIES OF MERCHANTABILITY, FITNESS FOR A PARTICULAR PURPOSE OR NON-INFRINGEMENT OF THIRD PARTY INTELLECTUAL PROPERTY RIGHTS.

These resources are intended for skilled developers designing with TI products. You are solely responsible for (1) selecting the appropriate TI products for your application, (2) designing, validating and testing your application, and (3) ensuring your application meets applicable standards, and any other safety, security, or other requirements. These resources are subject to change without notice. TI grants you permission to use these resources only for development of an application that uses the TI products described in the resource. Other reproduction and display of these resources is prohibited. No license is granted to any other TI intellectual property right or to any third party intellectual property right. TI disclaims responsibility for, and you will fully indemnify TI and its representatives against, any claims, damages, costs, losses, and liabilities arising out of your use of these resources.

TI's products are provided subject to TI's Terms of Sale ([www.ti.com/legal/termsofsale.html](http://www.ti.com/legal/termsofsale.html)) or other applicable terms available either on [ti.com](http://ti.com) or provided in conjunction with such TI products. TI's provision of these resources does not expand or otherwise alter TI's applicable warranties or warranty disclaimers for TI products.

Mailing Address: Texas Instruments, Post Office Box 655303, Dallas, Texas 75265  
Copyright © 2020, Texas Instruments Incorporated