

*TMS320 DSP  
DESIGNER'S NOTEBOOK*

# ***Using the RBIT on the TMS320E25***

---

---

---

*APPLICATION BRIEF: SPRA225*

*Keith Larson  
Digital Signal Processing Products  
Semiconductor Group*

*Texas Instruments  
March 1993*



## **IMPORTANT NOTICE**

Texas Instruments (TI) reserves the right to make changes to its products or to discontinue any semiconductor product or service without notice, and advises its customers to obtain the latest version of relevant information to verify, before placing orders, that the information being relied on is current.

TI warrants performance of its semiconductor products and related software to the specifications applicable at the time of sale in accordance with TI's standard warranty. Testing and other quality control techniques are utilized to the extent TI deems necessary to support this warranty. Specific testing of all parameters of each device is not necessarily performed, except those mandated by government requirements.

Certain application using semiconductor products may involve potential risks of death, personal injury, or severe property or environmental damage ("Critical Applications").

**TI SEMICONDUCTOR PRODUCTS ARE NOT DESIGNED, INTENDED, AUTHORIZED, OR WARRANTED TO BE SUITABLE FOR USE IN LIFE-SUPPORT APPLICATIONS, DEVICES OR SYSTEMS OR OTHER CRITICAL APPLICATIONS.**

Inclusion of TI products in such applications is understood to be fully at the risk of the customer. Use of TI products in such applications requires the written approval of an appropriate TI officer. Questions concerning potential risk applications should be directed to TI through a local SC sales office.

In order to minimize risks associated with the customer's applications, adequate design and operating safeguards should be provided by the customer to minimize inherent or procedural hazards.

TI assumes no liability for applications assistance, customer product design, software performance, or infringement of patents or services described herein. Nor does TI warrant or represent that any license, either express or implied, is granted under any patent right, copyright, mask work right, or other intellectual property right of TI covering or relating to any combination, machine, or process in which such semiconductor products or services might be or are used.

## **TRADEMARKS**

TI is a trademark of Texas Instruments Incorporated.

Other brands and names are the property of their respective owners.

## CONTACT INFORMATION

|                   |                |
|-------------------|----------------|
| US TMS320 HOTLINE | (281) 274-2320 |
| US TMS320 FAX     | (281) 274-2324 |
| US TMS320 BBS     | (281) 274-2323 |
| US TMS320 email   | dsph@ti.com    |

## **Contents**

|                            |          |
|----------------------------|----------|
| <b>Abstract.....</b>       | <b>7</b> |
| <b>Design Problem.....</b> | <b>8</b> |
| <b>Solution.....</b>       | <b>8</b> |

## **Figures**

|                                      |          |
|--------------------------------------|----------|
| <b>Figure 1. Block Diagram .....</b> | <b>8</b> |
|--------------------------------------|----------|

# Using the RBIT on the TMS320E25



## **Abstract**

This document discusses how the TMS320E25 RBIT works. A block diagram and functional description are provided.



## Design Problem

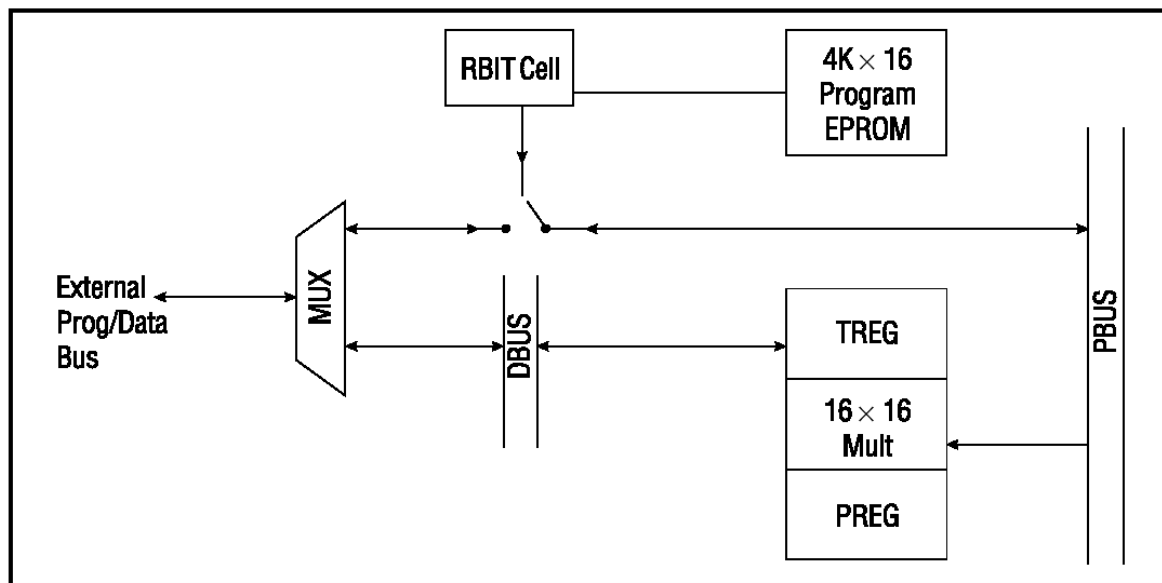
How does the TMS320E25 RBIT work?

## Solution

The RBIT primarily functions by disconnecting the internal program memory bus (PBUS) from the MUX that combines the internal data bus (DBUS) to create the externally shared program/data bus. The disconnect is made at the MUX and the internal nodes are left floating.

This diagram shows the location of the RBIT switch disconnecting the external and internal program spaces. The multiplier is shown as if it were receiving data as from a MAC instruction that will be discussed later.

Figure 1. Block Diagram



What does this mean? On the TMS320E25 some instructions may appear to work and others will not. It all depends on whether or not an external data transfer from program or data space needs to be connected up to the internal program bus (PBUS). For instance, TBLW, BLKP, and other related mnemonics may appear to work when they are used to transfer external program memory to the internal data space connected to DBUS. You can probably quickly see that a transfer from the internal program space to the external data bus will not work. This also disallows any external code to be executed. This is what RBIT is supposed to do i.e., protect your code.



---

### **Other Points to Consider:**

Note how the open switch disconnects the PBUS from the outside program space. This is why the  $\mu$ P mode will not work for a TMS320E25 after the RBIT is set. It also means that you cannot supplement your application with additional external code.

Secondly, the MAC instructions will not work with external program coefficients. In this case, the MAC instructions are supplying the on-chip multiplier with one operand from the DBUS and the other from the PBUS. The problem is that the external program space needs to be connected to the PBUS and the RBIT switch is in the way. To solve the problem, the coefficients should be moved to internal program RAM block B0 or read directly from the EPROM.

The RBIT also disables the EPROM programming mode, essentially disallowing an external EPROM programmer from reading the EPROM contents. It is therefore impossible to verify the EPROM contents once the RBIT has been set.

On the TMS320E1x devices the RBIT works by logically disabling the  $\mu$ C/ $\mu$ P pin and the EPROM programming mode. On the TMS320E25 this would not have worked since any opcode fetch from beyond the 4K boundary would constitute a breach of security. That is, a simple branch to an external debug routine would be all that is needed to get to the internal EPROM code. On the TMS320E1x devices, the entire program has to be on chip so nothing extra needs to be done.

### **Conclusion**

The RBIT is a code integrity and security feature. Using a TMS320E25 with the RBIT set requires familiarity with the rules cited above.