

Ethernet Packet Transfer Via Fast C&M Over AIF2

Communications Infrastructure

Abstract

This application report discusses the implementation of Ethernet packet transfer through Fast Control and Management (Fast C&M) over AIF2. Errata documentation describes some restrictions on the hardware design required for Fast C&M over AIF2 and this application report addresses those restrictions.

Contents

| | | |
|-----|-------------------------------|----|
| 1 | Introduction | 2 |
| 2 | Software Implementation | 4 |
| 2.1 | AIF2 Configurations | 4 |
| 2.2 | TX 4B 5B Encoder | 5 |
| 2.3 | RX 5B 4B Decoder | 6 |
| 3 | Abbreviation | 8 |
| 4 | References | 9 |
| 5 | Revision History | 10 |

List of Figures

| | | |
|----------|---|---|
| Figure 1 | Ethernet Frame Structure | 2 |
| Figure 2 | Octet/Nibble Transmit and Receive Order | 2 |
| Figure 3 | Ethernet Preamble | 4 |
| Figure 4 | AIF2 output frame Structure | 5 |
| Figure 5 | Ethernet frame Structure | 5 |
| Figure 6 | 4B5B output frame Structure | 5 |



Please be aware that an important notice concerning availability, standard warranty, and use in critical applications of Texas Instruments semiconductor products and disclaimers thereto appears at the end of this document.

1 Introduction

AIF2 specifies two different mechanisms in the CPRI control word portion of the link

- Slow C&M (HDLC): Not supported by AIF2
- Fast C&M (Fast Ethernet): Supported and extended by AIF2 hardware

Fast Ethernet:

Fast Ethernet is Ethernet that is 4B/5B encoded. 4B/5B encoding is the encoding on top of the SerDes 8B/10B encoding. In essence, AIF2 deals with 8B/10B encoding at the PHY layer and 4B/5B encoding at the protocol layer.

Figure 1 Ethernet Frame Structure

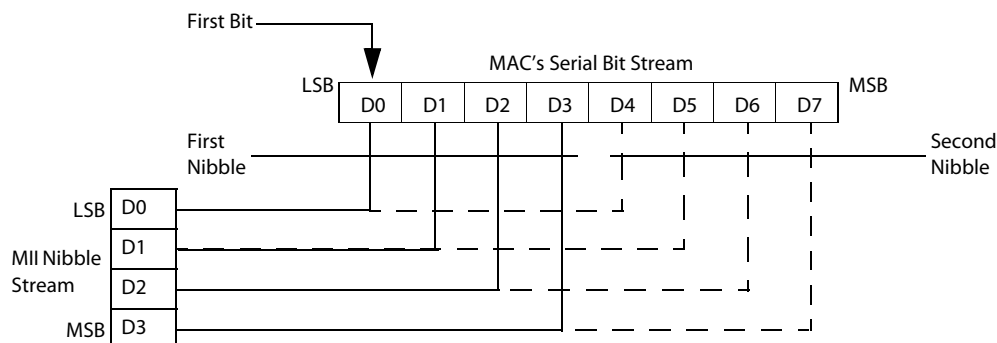
| Preamble | Start of Frame | Destination Address | Source Address | Length | Payload | CRC |
|----------|----------------|---------------------|----------------|---------|--------------|---------|
| 7 bytes | 1 byte | 6 bytes | 6 bytes | 2 bytes | 1-1500 bytes | 4 bytes |

- Preamble: Constant value: 8'b1010_1010
 - Ingress: Stripped off by AIF2
 - Egress: Added by AIF2
- Start of Frame: Constant value: 8'b1010_1011
 - Ingress: Stripped off by AIF2
 - Egress: Added by AIF2
- Length Field: AIF2 does not use or check the length field of Ethernet.
 - Ingress: Ethernet frame is defined by 4B/5B encoding
 - Egress: Packet length is controlled by Multicore Navigator header
- Other Fields: Simply passed by AIF2

The Frame structure above is the Ethernet Frame Structure, this is 4B/5B encoded by the AIF2 and over which the SSD(JK) and ESD(TR) is appended by AIF2 hardware. There are some violations found in the way AIF2 transmits the Control Packet. See the following description for each issue:

1. As per the IEEE 802.3, data has to be transmitted in the following format

Figure 2 Octet/Nibble Transmit and Receive Order



The figure above only shows the 4-bit nibble case (before 4B5B encoding) but AIF2 hardware will convert it to 5-bit nibble by doing 4B/5B encoding but the basic transfer mechanism should be the same. LSB bit within the nibble goes first and LSB nibble (LSB 5 bits) should go as a first nibble. AIF2 hardware natively supports big endian data order and it supports bit level swap within byte before 4B5B encoding or after 4B5B encoding (in the latest revisions of supported devices), but it doesn't support 5-bit nibble level swap for 4B5B encoded data (AIF2 transfers MSB 5-bit nibble first and LSB 5-bit nibble last). This is a violation of the IEEE 802.3 specification.

2. IEEE 802.3 Fast Ethernet spec Start-of-Stream Delimiter chapter states: A Start-of-Stream Delimiter (SSD) is used to delineate the boundary of a data transmission sequence and to authenticate carrier events. On transmission, the first 8 bits of the MAC preamble are replaced by the SSD, a replacement that is reversed on reception. TI AIF2 Protocol encoder does not overwrite the first 8 bits of the MAC preamble. Instead, it appends an 8-bit SSD at the end of preamble and this is a violation of 802.3 spec.

TI proposes the following solutions to overcome this limitation of the AIF2 hardware

1. To make the changes in the FPGA at the RRH so that the FPGA expects the data to be received in the reverse sequence and scans for a 9-Octet preamble, instead of 8-Octet preamble.
2. To implement the 4B5B encoder and decoder in DSP core, i.e. the software implementation of Fast C&M and transmits the data over AIF2 in a Null Delimiter mode.
3. With this approach, the CRC generation/checking feature in AIF2 must also be disabled since there is no way to prevent the CRC calculation over the Ethernet header. SW would need to implement this CRC in addition to the Ethernet header. This should be applied to both Egress and Ingress configuration.

2 Software Implementation

The following section describes the software implementation of the 4B5B encoder and decoder. Consider the following preamble of the following stream at MAC level:

Figure 3 Ethernet Preamble

| EtherFrame | | 4B (LSB First) | |
|------------|-----|----------------|---|
| Preamble | 55h | 5 | |
| | | 5 | |
| | 55h | 5 | |
| | | 5 | |
| | 55h | 5 | |
| | | 5 | |
| | 55h | 5 | |
| | | 5 | |
| | 55h | 5 | |
| | | 5 | |
| | 55h | 5 | |
| | | 5 | |
| | SFD | D5h | 5 |
| | | | D |

Data that is been expected to be transmitted is as follows:-

$$\dots \underbrace{01011}_5 \underbrace{01011}_5 \underbrace{01011}_5 \underbrace{01011}_5 \underbrace{01011}_5 \underbrace{01011}_5 \underbrace{10001}_K \underbrace{11000}_J \rightarrow \text{LSB of J, has to be transmitted first.}$$

The AIF2 hardware in 4B5B mode transfers the data in the following format:

$$\text{MSB of K} \leftarrow \underbrace{11000}_K \underbrace{10001}_J \underbrace{01011}_5 \underbrace{01011}_5 \underbrace{01011}_5 \underbrace{01011}_5 \underbrace{01011}_5 \underbrace{01011}_5$$

To rectify this, we propose the software solution where in DSP core is used to for the 4B to 5B encoding on the egress side, and 5B to 4B decoding on the Ingress side.

2.1 AIF2 Configurations

AIF2 is configured to work in null delimiter mode, with 0xFF as the null delimiter. The reason for selecting the character “0xFF” as the null delimiter is, because the 5B character “11111” is the idle character (CPRI spec).

Hence on the transmit side once the SSD(TR) characters inserted into the Ethernet stream, AIF2 hardware appends the Null delimiter out side of the packet and transmits the packet. Essentially forming a packet like:

Figure 4 AIF2 output frame Structure

| NULL Delimiter | Preamble | Start of Frame | Destination Mac Address | Source Mac Address | Length | Payload | CRC | ESD | NULL Delimiter |
|----------------|-------------------------------------|----------------|-------------------------|--------------------|---------|------------------|-----------|--------------|----------------|
| 0xFF | 10 Bits SSD(JK) 60 Bits Preamble | 1*10 Bits | 6*10 Bits | 6*10 Bits | 20 Bits | (1-1500)*10 Bits | 4*10 Bits | 10 Bits (TR) | 0xFF |

To configure AIF2 in Null Delimiter mode the PdLinkSetup and PeLinkSetup configurations has to be as follows

```
PdLinkSetup.bEnablePdLink = TRUE;
PdLinkSetup.CpriEnetStrip = 0x0;//Disable ethernet strip
PdLinkSetup.Crc8Poly = CRC8_POLY;
PdLinkSetup.Crc8Seed = CRC8_SEED;
PdLinkSetup.CpriCwNullDelimiter = 0xFF;
PdLinkSetup.CpriCwPktDelimiter[0] = CSL_AIF2_CW_DELIM_NULLDELM;
PdLinkSetup.PdCpriCrcType[0] = CSL_AIF2_CRC_32BIT;
PdLinkSetup.bEnableCpriCrc[0] = FALSE;//disable CPRI CRC
PdLinkSetup.PdPackDmaCh[0] = 124;//Set DB channel 124 as a dma ch for control channel 0. it doesn't need to be 124
PdLinkSetup.bEnablePack[0] = TRUE;//disable CPRI control channel 0 packing
PeLinkSetup.CpriCwNullDelimiter = 0xFF;//Idle character
PeLinkSetup.CpriCwPktDelimiter[0] = CSL_AIF2_CW_DELIM_NULLDELM;
PeLinkSetup.PePackDmaCh[0] = 124;
PeLinkSetup.bEnablePack[0] = TRUE;
```

2.2 TX 4B 5B Encoder

On the egress side before the ethernet data is being pushed to the Transmit queue, a 4B to 5B encoder function should be called. The 4B5B encoder kernel expects the data, in the following format:-

Figure 5 Ethernet frame Structure

| Preamble | Start of Frame | Destination Address | Source Address | Length | Payload | CRC |
|----------|----------------|---------------------|----------------|---------|--------------|---------|
| 7 bytes | 1 byte | 6 bytes | 6 bytes | 2 bytes | 1-1500 bytes | 4 bytes |

Generally used preamble for the Ethernet frame: 0x55, 0x55, 0x55, 0x55, 0x55, 0x55, 0x55, 0x55 and the Start of Frame is 0xD5.

The 4B5B encoder does the following data manipulation to the input stream sent to it:-

- Each 4Bit Nibble is converted into a 5Bit Nibble.
- Insert SSD i.e JK into the first symbol location of the Preamble
- Append the ESD(TR) at the END of the stream after the CRC.

To form a packet as per the Fast C&M specification.

Figure 6 4B5B output frame Structure

| Preamble | Start of Frame | Destination Mac Address | Source Mac Address | Length | Payload | CRC | ESD |
|-------------------------------------|----------------|-------------------------|--------------------|---------|------------------|-----------|--------------|
| 10 Bits SSD(JK) 60 Bits Preamble | 1*10 Bits | 6*10 Bits | 6*10 Bits | 20 Bits | (1-1500)*10 Bits | 4*10 Bits | 10 Bits (TR) |

The 4B5B encoder function kernel is implemented using the lookup table approach, each 4Bit Nibble is used as an Index in the Lookup table and corresponding 5-bit-encoded value is loaded using the following table.

Table 1 Fast Ethernet 4B/5B Encoding

| Name | 4b | 5b | Description |
|-----------------------|--------|-------|-------------|
| 0 | 0000 | 11110 | hex data 0 |
| 1 | 0001 | 01001 | hex data 1 |
| 2 | 0010 | 10100 | hex data 2 |
| 3 | 0011 | 10101 | hex data 3 |
| 4 | 0100 | 01010 | hex data 4 |
| 5 | 0101 | 01011 | hex data 5 |
| 6 | 0110 | 01110 | hex data 6 |
| 7 | 0111 | 01111 | hex data 7 |
| 8 | 1000 | 10010 | hex data 8 |
| 9 | 1001 | 10011 | hex data 9 |
| A | 1010 | 10110 | hex data A |
| B | 1011 | 10111 | hex data B |
| C | 1100 | 11010 | hex data C |
| D | 1101 | 11011 | hex data D |
| E | 1110 | 11100 | hex data E |
| F | 1111 | 11101 | hex data F |
| I | -NONE- | 11111 | Idle |
| J | -NONE- | 11000 | SSD part1 |
| K | -NONE- | 10001 | SSD part2 |
| T | -NONE- | 01101 | ESD part1 |
| R | -NONE- | 00111 | ESD part2 |
| H | -NONE- | 00100 | Halt |
| End of Table 1 | | | |

2.3 RX 5B 4B Decoder

On the Ingress side, when the packets are received software needs to scan for the Start of Frame SSD and the end of frame ESD and then send the received packet to the decoder.

On the Rx side, there could be multiple fragmented packets received for the single packet sent from the Remote Radio head. This situation arises of whenever there a byte “0xFF” in the 5B encoded data on the Rx side.

Since AIF2 is configured to work in Null Delimiter mode with “0xFF” as the Null Delimiter, the AIF2 hardware fragments the incoming packet into multiple packets at each 0xFF boundary. The application software provided part of the example with this application report, scans for such scenarios and reforms the original packet by merging the multiple packets into a single packet and sends it to the decoder for further processing.

Consider the hypothetical case, of data being transmitted from the RRH to the Baseband board:

| | | | | | | | | | | | | | | | | | | | |
|-----|-----|-----|-----|-----|----|----|----|------|------|------|----|----|----|----|------|------|------|----|-----|
| SSD | 0x1 | 0x2 | 0x3 | 0x4 | .. | .. | .. | 0xFF | 0x10 | 0x11 | .. | .. | .. | .. | 0xFF | 0x20 | 0x21 | .. | ESD |
|-----|-----|-----|-----|-----|----|----|----|------|------|------|----|----|----|----|------|------|------|----|-----|

When such a packet is received at the AIF2, AIF2 segments it into 3 fragments as shown below:

| | | | | | | | |
|-----|-----|-----|-----|-----|----|----|----|
| SSD | 0x1 | 0x2 | 0x3 | 0x4 | .. | .. | .. |
|-----|-----|-----|-----|-----|----|----|----|

| | | | | | |
|------|------|----|----|----|----|
| 0x10 | 0x11 | .. | .. | .. | .. |
|------|------|----|----|----|----|

| | | | |
|------|------|----|-----|
| 0x20 | 0x21 | .. | ESD |
|------|------|----|-----|

The application must scan for the SSD and stitches all the packets into a single packet till it finds ESD. Once the SSD and ESD are detected and validated the packet is further sent to a 5B to 4B decoder which decodes the RX packet and forms a Ethernet packet for further processing at the MAC Layer.

3 Abbreviation

| Abbreviation | Description |
|---------------------|---|
| AIF2 | Antenna Interface 2 |
| C&M | Control and Management |
| CPRI | Common Public Radio Interface |
| ESD | End of Stream Delimiter |
| FPGA | Field Programmable Gate Array |
| LSB | Least Significant Bit |
| MAC | Media Access Control |
| MSB | Most Significant Bit |
| OBSAI | Open Base Station Architecture Initiative |
| RP3 | RP3 Reference point 3 (OBSAI) |
| RRH | remote Radio Head |
| SSD | Start-of-Stream Delimiter, from IEEE 802.3 Fast Ethernet spec |

4 References

- AIF2 users guide :
<http://www.ti.com/lit/pdf/sprugv7>
- CPRI specification 4.0
- Device-specific errata document

5 Revision History

The following table lists changes for each revision.

| Revision | Date | Description |
|-----------------|---------------|---------------------|
| SPRABU0 | December 2013 | Initial Publication |

IMPORTANT NOTICE

Texas Instruments Incorporated and its subsidiaries (TI) reserve the right to make corrections, enhancements, improvements and other changes to its semiconductor products and services per JESD46, latest issue, and to discontinue any product or service per JESD48, latest issue. Buyers should obtain the latest relevant information before placing orders and should verify that such information is current and complete. All semiconductor products (also referred to herein as "components") are sold subject to TI's terms and conditions of sale supplied at the time of order acknowledgment.

TI warrants performance of its components to the specifications applicable at the time of sale, in accordance with the warranty in TI's terms and conditions of sale of semiconductor products. Testing and other quality control techniques are used to the extent TI deems necessary to support this warranty. Except where mandated by applicable law, testing of all parameters of each component is not necessarily performed.

TI assumes no liability for applications assistance or the design of Buyers' products. Buyers are responsible for their products and applications using TI components. To minimize the risks associated with Buyers' products and applications, Buyers should provide adequate design and operating safeguards.

TI does not warrant or represent that any license, either express or implied, is granted under any patent right, copyright, mask work right, or other intellectual property right relating to any combination, machine, or process in which TI components or services are used. Information published by TI regarding third-party products or services does not constitute a license to use such products or services or a warranty or endorsement thereof. Use of such information may require a license from a third party under the patents or other intellectual property of the third party, or a license from TI under the patents or other intellectual property of TI.

Reproduction of significant portions of TI information in TI data books or data sheets is permissible only if reproduction is without alteration and is accompanied by all associated warranties, conditions, limitations, and notices. TI is not responsible or liable for such altered documentation. Information of third parties may be subject to additional restrictions.

Resale of TI components or services with statements different from or beyond the parameters stated by TI for that component or service voids all express and any implied warranties for the associated TI component or service and is an unfair and deceptive business practice. TI is not responsible or liable for any such statements.

Buyer acknowledges and agrees that it is solely responsible for compliance with all legal, regulatory and safety-related requirements concerning its products, and any use of TI components in its applications, notwithstanding any applications-related information or support that may be provided by TI. Buyer represents and agrees that it has all the necessary expertise to create and implement safeguards which anticipate dangerous consequences of failures, monitor failures and their consequences, lessen the likelihood of failures that might cause harm and take appropriate remedial actions. Buyer will fully indemnify TI and its representatives against any damages arising out of the use of any TI components in safety-critical applications.

In some cases, TI components may be promoted specifically to facilitate safety-related applications. With such components, TI's goal is to help enable customers to design and create their own end-product solutions that meet applicable functional safety standards and requirements. Nonetheless, such components are subject to these terms.

No TI components are authorized for use in FDA Class III (or similar life-critical medical equipment) unless authorized officers of the parties have executed a special agreement specifically governing such use.

Only those TI components which TI has specifically designated as military grade or "enhanced plastic" are designed and intended for use in military/aerospace applications or environments. Buyer acknowledges and agrees that any military or aerospace use of TI components which have **not** been so designated is solely at the Buyer's risk, and that Buyer is solely responsible for compliance with all legal and regulatory requirements in connection with such use.

TI has specifically designated certain components as meeting ISO/TS16949 requirements, mainly for automotive use. In any case of use of non-designated products, TI will not be responsible for any failure to meet ISO/TS16949.

Products

| | |
|------------------------------|--|
| Audio | www.ti.com/audio |
| Amplifiers | amplifier.ti.com |
| Data Converters | dataconverter.ti.com |
| DLP® Products | www.dlp.com |
| DSP | dsp.ti.com |
| Clocks and Timers | www.ti.com/clocks |
| Interface | interface.ti.com |
| Logic | logic.ti.com |
| Power Mgmt | power.ti.com |
| Microcontrollers | microcontroller.ti.com |
| RFID | www.ti-rfid.com |
| OMAP Applications Processors | www.ti.com/omap |
| Wireless Connectivity | www.ti.com/wirelessconnectivity |

Applications

| | |
|-------------------------------|--|
| Automotive and Transportation | www.ti.com/automotive |
| Communications and Telecom | www.ti.com/communications |
| Computers and Peripherals | www.ti.com/computers |
| Consumer Electronics | www.ti.com/consumer-apps |
| Energy and Lighting | www.ti.com/energy |
| Industrial | www.ti.com/industrial |
| Medical | www.ti.com/medical |
| Security | www.ti.com/security |
| Space, Avionics and Defense | www.ti.com/space-avionics-defense |
| Video and Imaging | www.ti.com/video |

TI E2E Community

e2e.ti.com