

Measurement Results for Combined CC2530 and CC2590 Solution

By Sverre Hellan

Keywords

- CC2530
- CC2531
- CC2590
- Range Extender
- External LNA
- External PA
- 2.4 GHz IEEE 802.15.4 systems

1 Introduction

CC2530 [1] is TI's second generation ZigBee® / IEEE 802.15.4 RF System-on-Chip (SoC) for the 2.4 GHz unlicensed SRD/ISM band. This chip enables industrial grade applications by offering state-of-the-art selectivity/co-existence, excellent link budget, and low voltage operation. The CC2531 is identical to the CC2530 with the addition of an USB interface

CC2590 [2] is a range extender for 2.4-GHz RF transceivers, transmitters and SoC products from Texas Instruments. CC2590 increases the link budget by providing a Power Amplifier (PA) for higher output power and a Low Noise Amplifier (LNA) for improved receiver sensitivity. CC2590 further contains RF switches, RF matching, and a balun.

This design note gives measurement results for the combined CC2530-CC2590 solution at 3 V operation, -40°C, +25°C,

and +85°C. The following parameters were measured:

- Sensitivity
- RX current
- Output power and harmonics
- TX current
- Error Vector Magnitude (EVM)
- Stability vs load impedance

The results presented are the average numbers from measurements on 11 PCB's. The results presented are specified by test and should only be used as an indication of expected performance.

The combined CC2530-CC2590 schematic is shown in Appendix – CC2530 and CC2590 Schematic.

The RF front end of CC2530 is the same as in CC2531. The presented results in this application note are therefore also valid for CC2531.

Table of Contents

KEYWORDS	1
1 INTRODUCTION	1
2 ABBREVIATIONS	2
3 RX MEASUREMENTS	3
3.1 SENSITIVITY (1% PER)	3
3.2 RX CURRENT VS INPUT POWER LEVEL.....	3
4 TX MEASUREMENTS	4
4.1 OUTPUT POWER AND HARMONICS	4
4.2 TX CURRENT	5
4.3 ERROR VECTOR MAGNITUDE (EVM)	6
4.4 TYPICAL TX PARAMETERS VS. LOAD IMPEDANCE.....	7
5 REFERENCES	9
6 GENERAL INFORMATION	9
6.1 DOCUMENT HISTORY	9
APPENDIX – CC2530 AND CC2590 SCHEMATIC	10

2 Abbreviations

EVM	Error Vector Magnitude
ISM	Industrial, Scientific, Medical
MHz	Mega Hertz
RF	Radio Frequency
RX	Receive
SRD	Short Range Devices
TX	Transmit

3 RX Measurements

3.1 Sensitivity (1% PER)

2405 MHz			2440 MHz			2480 MHz		
-40C	+25C	+85C	-40C	+25C	+85C	-40C	+25C	+85C
-99.6	-98.0	-95.7	-98.9	-97.4	-94.8	-99.8	-98.2	-95.8

Table 3.1. Sensitivity [dBm]. 3 V Supply Voltage

3.2 RX Current vs Input Power Level

RX current is measured with CC2530 waiting for sync and CPU idle.

	-40C	+25C	+85C
-100	26.5	28.2	29.9
-90	26.5	28.2	29.8
-80	26.2	28.2	28.1
-70	24.7	25.9	27.5
-60	24.1	25.3	26.1
-50	23.7	24.6	25.4
-40	23.6	24.4	25.4
-30	23.6	24.4	25.4
-20	24.3	24.7	25.6
-10	28.1	27.1	27.2

Table 3.2. RX Current [mA] vs Input Power Level [dBm]. 3 V Supply Voltage

4 TX Measurements

4.1 Output Power and Harmonics

	2405 MHz			2440 MHz			2480 MHz		
	-40C	+25C	+85C	-40C	+25C	+85C	-40C	+25C	+85C
0xF5	13.2	11.4	8.3	13.0	11.1	7.8	12.1	10.1	6.8
0xE5	12.1	9.7	6.2	11.8	9.3	5.6	10.8	8.2	4.4
0xD5	11.1	8.2	4.3	10.7	7.7	3.7	9.7	6.5	2.4
0xC5	10.2	6.9	2.8	9.8	6.4	2.1	8.8	5.1	0.9
0xB5	9.5	5.8	1.5	9.1	5.2	0.9	7.9	3.9	-0.4
0xA5	8.5	4.2	-0.2	7.9	3.6	-0.8	6.6	2.2	-2.2
0x95	6.7	2.2	-2.1	6.0	1.6	-2.7	4.6	0.2	-4.1
0x85	5.6	1.0	-3.4	4.9	0.4	-4.1	3.5	-1.0	-5.4
0x75	3.8	-0.5	-5.0	3.1	-1.1	-5.6	1.7	-2.6	-6.9
0x65	2.0	-2.2	-6.6	1.3	-2.9	-7.2	-0.2	-4.3	-8.5
0x55	-0.2	-4.3	-8.6	-0.9	-5.0	-9.2	-2.4	-6.3	-10.5
0x45	-2.6	-6.7	-10.8	-3.3	-7.3	-11.4	-4.8	-8.7	-12.7
0x35	-5.1	-9.1	-13.1	-5.8	-9.7	-13.7	-7.3	-11.0	-14.9
0x35	-6.8	-10.7	-14.6	-7.4	-11.3	-15.2	-8.9	-12.6	-16.4
0x15	-8.9	-12.8	-16.6	-9.6	-13.3	-17.1	-11.0	-14.6	-18.3
0x05	-11.0	-14.9	-18.7	-11.7	-15.4	-19.2	-13.0	-16.7	-20.5

Table 4.1. Output Power [dBm] vs CC2530 TXPOWER. 3 V Supply Voltage

	2405 MHz			2440 MHz			2480 MHz		
	-40C	+25C	+85C	-40C	+25C	+85C	-40C	+25C	+85C
0xF5	-37.6	-47.2	-66.7	-43.5	-54.1	-67.5	-46.3	-59.2	-65.2
0xE5	-42.7	-59.8	-62.7	-49.2	-66.4	-63.3	-53.0	-64.3	-63.2
0xD5	-48.4	-61.1	-62.9	-56.7	-60.8	-64.5	-60.8	-59.5	-65.3
0xC5	-55.4	-58.3	-64.5	-62.5	-59.4	-66.5	-63.1	-59.8	-67.6
0xB5	-60.5	-58.3	-66.4	-62.1	-60.2	-68.6	-59.2	-61.0	-69.7
0xA5	-57.9	-59.8	-69.0	-58.1	-62.2	-71.4	-57.4	-63.2	-72.9
0x95	-55.2	-62.6	-72.2	-57.9	-65.0	-74.7	-58.9	-66.3	-76.4
0x85	-55.9	-64.4	-74.2	-59.0	-67.0	-77.1	-60.2	-68.3	-78.9
0x75	-58.0	-67.1	-77.0	-61.3	-69.7	-79.6	-62.5	-71.1	-81.6
0x65	-60.7	-70.2	-79.7	-64.0	-72.6	-82.2	-65.3	-74.2	-84.7
0x55	-64.3	-74.0	-82.8	-67.7	-76.4	-85.4	-68.9	-77.9	-88.4
0x45	-68.8	-78.4	-86.2	-72.0	-80.3	-88.2	-73.0	-81.7	-91.9
0x35	-73.7	-82.6	-88.7	-76.6	-83.9	-90.3	-76.8	-85.3	-95.5
0x35	-76.8	-85.6	-90.3	-79.5	-85.7	-91.7	-79.3	-87.1	-97.1
0x15	-81.1	-88.9	-91.9	-83.1	-87.7	-93.0	-82.0	-88.9	-98.4
0x05	-85.2	-91.5	-92.7	-86.0	-89.5	-93.7	-84.3	-90.4	-100.0

Table 4.2. Conducted 2nd Harmonic [dBm] vs CC2530 TXPOWER. 3 V Supply Voltage

Radiated 2nd harmonic at maximum output power is typically below -39 dBm at 25°C. A Titanis 2.4 GHz swivel antenna from Antenova [3] was used in the measurement.

Design Note DN037

	2405 MHz			2440 MHz			2480 MHz		
	-40C	+25C	+85C	-40C	+25C	+85C	-40C	+25C	+85C
0xF5	-47.6	-52.6	-59.9	-50.7	-52.9	-60.2	-48.6	-51.6	-61.9
0xE5	-48.9	-56.2	-66.6	-51.7	-56.8	-67.0	-49.8	-55.7	-68.8
0xD5	-50.3	-60.5	-72.6	-53.6	-61.4	-72.7	-51.9	-60.6	-74.7
0xC5	-52.0	-64.4	-76.8	-55.7	-65.3	-76.2	-54.3	-64.6	-78.7
0xB5	-54.0	-68.0	-80.0	-58.0	-68.8	-80.1	-57.2	-67.5	-81.8
0xA5	-57.7	-72.2	-84.7	-62.3	-72.6	-84.7	-61.1	-71.3	-86.1
0x95	-63.8	-77.0	-88.7	-67.4	-77.1	-87.8	-65.7	-76.6	-90.3
0x85	-66.8	-80.0	-90.0	-69.8	-80.5	-91.2	-67.8	-79.7	-93.1
0x75	-71.0	-84.3	-93.6	-73.6	-84.0	-93.6	-71.5	-83.1	-94.5
0x65	-74.7	-87.8	-95.0	-77.0	-87.9	-94.8	-75.9	-88.0	-96.5
0x55	-80.2	-91.7	-96.3	-82.5	-92.7	-97.6	-81.2	-91.9	-99.1
0x45	-86.1	-95.3	-100.0	-88.3	-94.9	-100.2	-87.1	-95.6	-100.3
0x35	-91.9	-97.9	-100.2	-93.1	-97.8	-101.7	-92.2	-99.5	-103.2
0x35	-94.2	-100.1	-103.1	-94.5	-99.2	-103.9	-96.7	-100.7	-105.8
0x15	-97.3	-100.4	-105.4	-97.9	-100.0	-105.1	-99.0	-103.2	-105.1
0x05	-99.9	-103.5	-106.3	-99.9	-104.7	-107.8	-100.5	-105.4	-109.8

Table 4.3. Conducted 3rd Harmonic [dBm] vs CC2530 TXPOWER. 3 V Supply Voltage

Radiated 3rd harmonic at maximum output power is typically below -35 dBm at 25°C. A Titanis 2.4 GHz swivel antenna from Antenova [3] was used in the measurement.

4.2 TX Current

	2405 MHz			2440 MHz			2480 MHz		
	-40C	+25C	+85C	-40C	+25C	+85C	-40C	+25C	+85C
0xF5	67.5	59.4	52.5	67.0	59.0	52.2	67.2	59.0	52.0
0xE5	57.9	50.9	45.8	57.5	50.6	45.5	57.7	50.4	45.4
0xD5	52.4	46.2	42.4	52.0	45.9	42.1	52.0	45.7	42.0
0xC5	49.0	43.5	40.7	48.7	43.2	40.4	48.6	43.0	40.3
0xB5	46.1	41.1	39.1	45.6	40.7	38.9	45.5	40.6	38.8
0xA5	43.2	39.0	38.0	42.8	38.7	37.8	42.5	38.6	37.7
0x95	39.3	36.5	36.4	38.9	36.3	36.3	38.7	36.2	36.3
0x85	37.8	35.6	36.0	37.4	35.4	35.8	37.2	35.3	35.8
0x75	35.7	34.6	35.4	35.3	34.4	35.3	35.2	34.4	35.3
0x65	34.0	33.8	35.0	33.7	33.6	34.9	33.6	33.6	34.9
0x55	32.6	33.2	34.7	32.4	33.0	34.6	32.3	33.1	34.6
0x45	31.6	32.7	34.5	31.5	32.6	34.4	31.5	32.7	34.4
0x35	31.0	32.5	34.3	30.9	32.4	34.2	30.9	32.4	34.3
0x35	30.8	32.3	34.2	30.7	32.3	34.1	30.7	32.3	34.2
0x15	30.6	32.2	34.2	30.5	32.1	34.1	30.5	32.2	34.1
0x05	29.3	31.0	33.0	29.2	30.9	32.9	29.2	31.0	32.9

Table 4.4. TX Current [mA] vs CC2530 TXPOWER. 3 V Supply Voltage

4.3 Error Vector Magnitude (EVM)

	2405 MHz			2440 MHz			2480 MHz		
	-40C	+25C	+85C	-40C	+25C	+85C	-40C	+25C	+85C
0xF5	14.0	5.6	3.1	8.5	3.7	2.6	4.0	3.6	2.7
0xE5	6.5	2.6	2.1	3.6	2.2	2.1	2.4	2.3	2.1
0xD5	3.9	2.1	2.1	2.5	2.0	2.1	2.3	2.2	2.1
0xC5	2.6	2.0	2.2	2.1	2.1	2.1	2.1	2.1	2.1
0xB5	2.3	2.0	2.1	2.0	2.0	2.1	2.2	2.0	2.1
0xA5	2.1	2.1	2.1	2.1	2.1	2.1	2.3	2.1	2.1
0x95	2.1	2.0	2.1	2.2	2.0	2.1	2.2	2.0	2.1
0x85	2.2	2.1	2.1	2.3	2.1	2.1	2.3	2.1	2.1
0x75	2.1	1.9	2.0	2.1	1.9	2.0	2.1	2.0	2.0
0x65	1.9	1.8	1.9	2.0	1.8	1.9	2.0	1.9	2.0
0x55	1.8	1.8	1.9	1.9	1.8	1.9	2.1	1.9	2.0
0x45	2.0	1.8	1.9	2.0	1.9	2.0	2.3	2.1	2.1
0x35	2.2	2.0	2.0	2.4	2.2	2.1	2.7	2.4	2.3
0x35	2.5	2.3	2.2	2.7	2.4	2.3	3.2	2.7	2.5
0x15	3.0	2.7	2.5	3.3	2.9	2.6	3.9	3.3	3.0
0x05	3.7	3.3	3.0	4.0	3.5	3.2	4.8	4.1	3.6

Table 4.5. EVM [%] vs CC2530 TXPOWER. 3 V Supply Voltage

	2405 MHz			2440 MHz			2480 MHz		
	-40C	+25C	+85C	-40C	+25C	+85C	-40C	+25C	+85C
0xF5	24.1	8.8	3.7	14.1	6.0	3.3	6.2	5.2	3.5
0xE5	10.8	3.7	2.6	5.7	3.3	2.6	3.5	3.2	2.6
0xD5	6.3	2.6	2.7	3.5	2.5	2.7	3.4	2.7	2.7

Table 4.6. Maximum EVM [%] vs CC2530 TXPOWER. 3 V Supply Voltage

4.4 Typical TX Parameters vs. Load Impedance

The load impedance presented to the CC2590 PA output is critical to the TX performance. The load impedance is selected as a compromise between several criteria, such as output power, efficiency and the level of the harmonics. The matching components between the PA output and the antenna should transform 50 ohm antenna impedance to the selected impedance which the CC2590 PA should see. This is taken care of by the reference design (see Appendix) and the user should provide a well matched antenna to get the required performance.

In order to measure the performance under different mismatch conditions the CC2530-CC2590 design is loaded with different impedances at the SMA connector reference plane. A well matched antenna will have impedance inside the black circle in the Smith chart, which illustrates the limit for 10 dB return loss. At each load the output power, current and spurious frequency components are measured. These measurements are known as load-pull measurements.

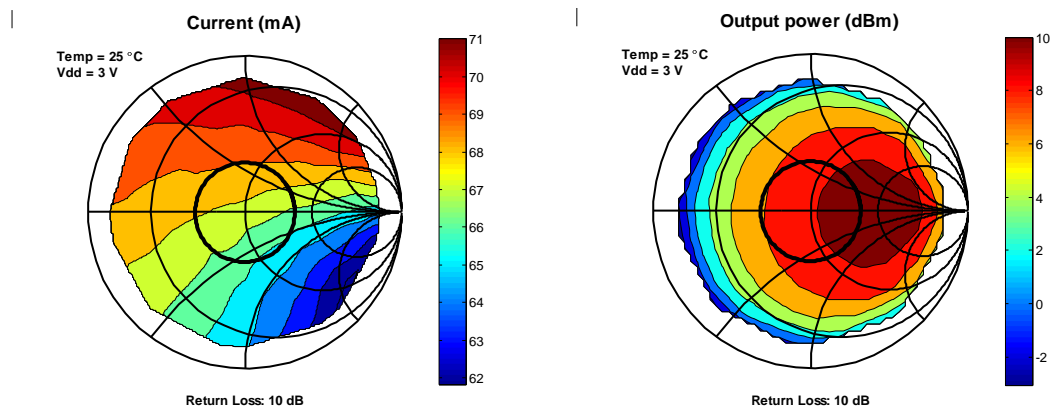


Figure 4.1. Current (left) and Output Power (right) vs. Load Impedance at SMA Connector at 25°C, 3 V. TXPOWER = 0xFE.

Most PAs have the ability to oscillate at unwanted frequencies under certain conditions. The worst conditions are usually high output power, low temperatures, and high VDD. This is also the case for CC2590. The spurious frequency components are measured under different mismatch conditions as illustrated in Figure 4.2 and Figure 4.3 from DC to f_0 (fundamental) and from f_0 to $2f_0$ (2^{nd} harmonic). The plots show that the spurious level is low and there are no oscillations. The CC2530-CC2590 solution is a very robust design which tolerates high mismatch ratios at high output power, low temperatures at 3 V supply voltage.

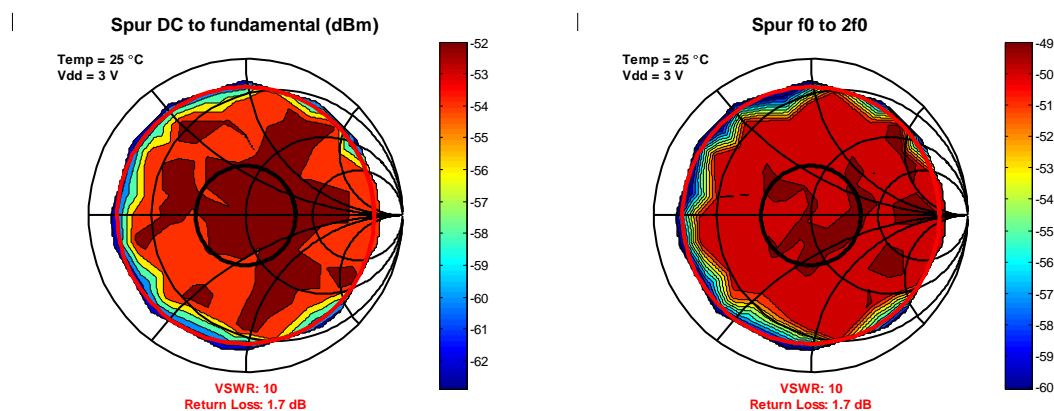


Figure 4.2. Spurious Frequency Components vs. Load Impedance at SMA Connector at 25°C, 3 V. TXPOWER = 0xFE.

Design Note DN037

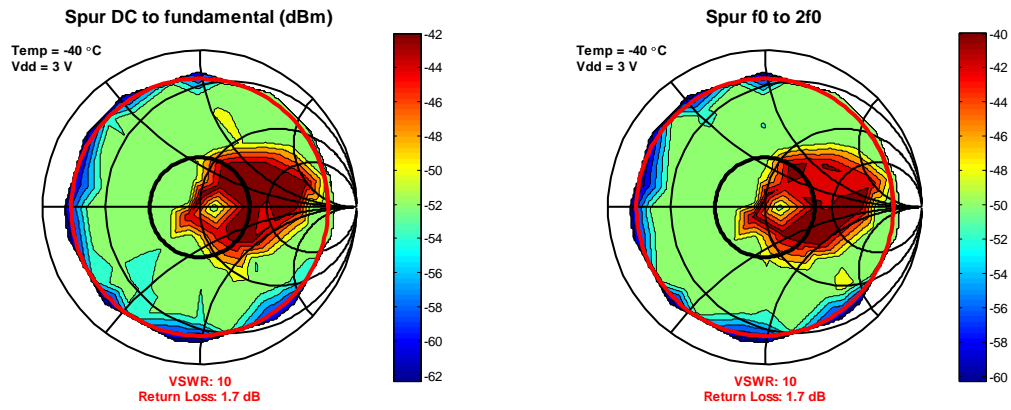


Figure 4.3. Spurious Frequency Components vs. Load Impedance at SMA Connector at -40°C, 3 V. TXPOWER = 0xFE.

Design Note DN037

5 References

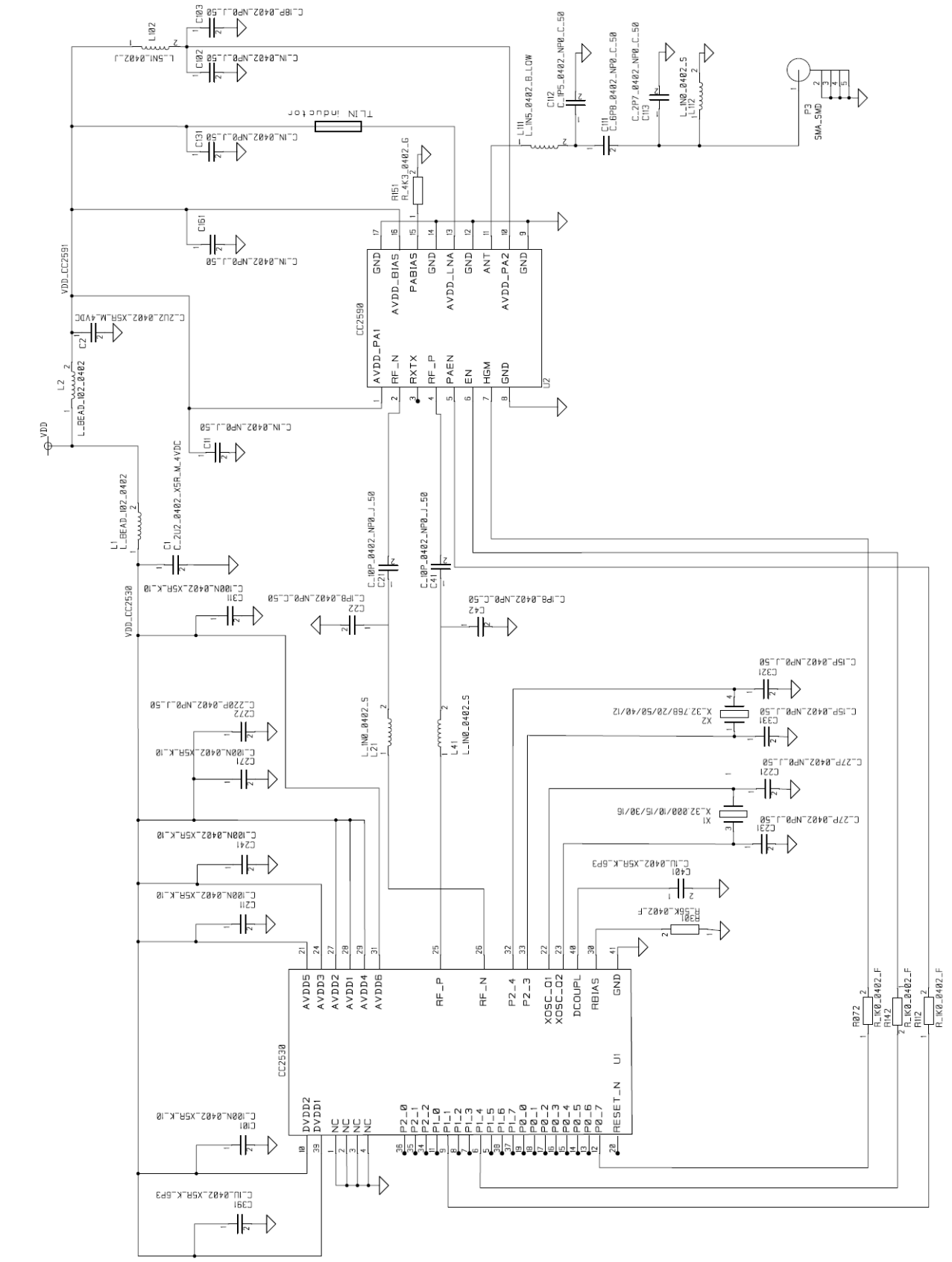
- [1] [CC2530 Data sheet](#)
- [2] [CC2590 Data sheet](#)
- [3] [Antenova Titan 2.4 GHz swivel antenna](#)

6 General Information

6.1 Document History

Revision	Date	Description/Changes
SWRA375	2011.07.28	Initial release

Appendix – CC2530 and CC2590 Schematic



IMPORTANT NOTICE

Texas Instruments Incorporated and its subsidiaries (TI) reserve the right to make corrections, modifications, enhancements, improvements, and other changes to its products and services at any time and to discontinue any product or service without notice. Customers should obtain the latest relevant information before placing orders and should verify that such information is current and complete. All products are sold subject to TI's terms and conditions of sale supplied at the time of order acknowledgment.

TI warrants performance of its hardware products to the specifications applicable at the time of sale in accordance with TI's standard warranty. Testing and other quality control techniques are used to the extent TI deems necessary to support this warranty. Except where mandated by government requirements, testing of all parameters of each product is not necessarily performed.

TI assumes no liability for applications assistance or customer product design. Customers are responsible for their products and applications using TI components. To minimize the risks associated with customer products and applications, customers should provide adequate design and operating safeguards.

TI does not warrant or represent that any license, either express or implied, is granted under any TI patent right, copyright, mask work right, or other TI intellectual property right relating to any combination, machine, or process in which TI products or services are used. Information published by TI regarding third-party products or services does not constitute a license from TI to use such products or services or a warranty or endorsement thereof. Use of such information may require a license from a third party under the patents or other intellectual property of the third party, or a license from TI under the patents or other intellectual property of TI.

Reproduction of TI information in TI data books or data sheets is permissible only if reproduction is without alteration and is accompanied by all associated warranties, conditions, limitations, and notices. Reproduction of this information with alteration is an unfair and deceptive business practice. TI is not responsible or liable for such altered documentation. Information of third parties may be subject to additional restrictions.

Resale of TI products or services with statements different from or beyond the parameters stated by TI for that product or service voids all express and any implied warranties for the associated TI product or service and is an unfair and deceptive business practice. TI is not responsible or liable for any such statements.

TI products are not authorized for use in safety-critical applications (such as life support) where a failure of the TI product would reasonably be expected to cause severe personal injury or death, unless officers of the parties have executed an agreement specifically governing such use. Buyers represent that they have all necessary expertise in the safety and regulatory ramifications of their applications, and acknowledge and agree that they are solely responsible for all legal, regulatory and safety-related requirements concerning their products and any use of TI products in such safety-critical applications, notwithstanding any applications-related information or support that may be provided by TI. Further, Buyers must fully indemnify TI and its representatives against any damages arising out of the use of TI products in such safety-critical applications.

TI products are neither designed nor intended for use in military/aerospace applications or environments unless the TI products are specifically designated by TI as military-grade or "enhanced plastic." Only products designated by TI as military-grade meet military specifications. Buyers acknowledge and agree that any such use of TI products which TI has not designated as military-grade is solely at the Buyer's risk, and that they are solely responsible for compliance with all legal and regulatory requirements in connection with such use.

TI products are neither designed nor intended for use in automotive applications or environments unless the specific TI products are designated by TI as compliant with ISO/TS 16949 requirements. Buyers acknowledge and agree that, if they use any non-designated products in automotive applications, TI will not be responsible for any failure to meet such requirements.

Following are URLs where you can obtain information on other Texas Instruments products and application solutions:

Products

Audio	www.ti.com/audio
Amplifiers	amplifier.ti.com
Data Converters	dataconverter.ti.com
DLP® Products	www.dlp.com
DSP	dsp.ti.com
Clocks and Timers	www.ti.com/clocks
Interface	interface.ti.com
Logic	logic.ti.com
Power Mgmt	power.ti.com
Microcontrollers	microcontroller.ti.com
RFID	www.ti-rfid.com
OMAP Mobile Processors	www.ti.com/omap
Wireless Connectivity	www.ti.com/wirelessconnectivity

Applications

Automotive and Transportation	www.ti.com/automotive
Communications and Telecom	www.ti.com/communications
Computers and Peripherals	www.ti.com/computers
Consumer Electronics	www.ti.com/consumer-apps
Energy and Lighting	www.ti.com/energy
Industrial	www.ti.com/industrial
Medical	www.ti.com/medical
Security	www.ti.com/security
Space, Avionics and Defense	www.ti.com/space-avionics-defense
Video and Imaging	www.ti.com/video

TI E2E Community Home Page

e2e.ti.com

Mailing Address: Texas Instruments, Post Office Box 655303, Dallas, Texas 75265
Copyright © 2012, Texas Instruments Incorporated