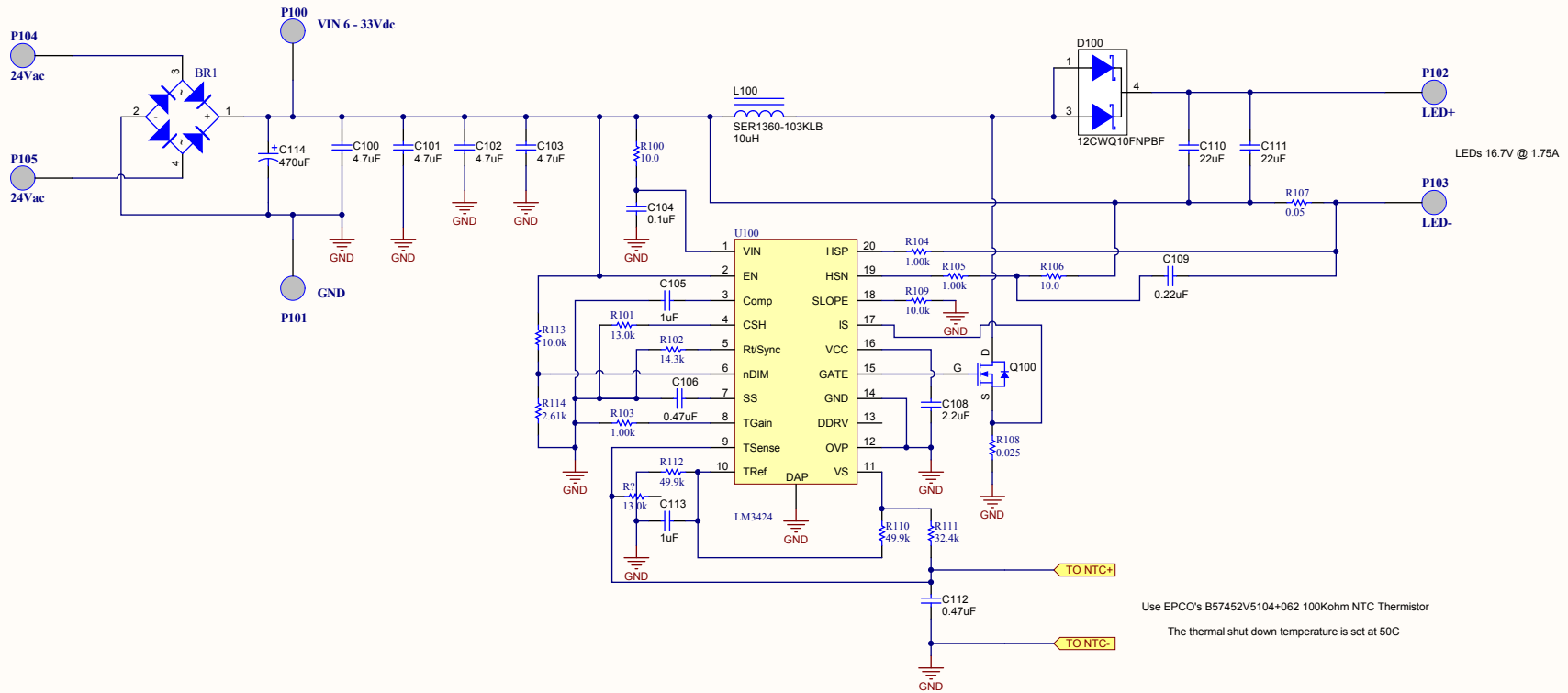


PMP7759

PMP7759 Schematic



Literature Number:SNVR017



LEDs 16.7V @ 1.75A

Use EPCO's B57452V5104+062 100Kohm NTC Thermistor
The thermal shut down temperature is set at 50C

National Semiconductor and/or its licensors do not warrant the accuracy or completeness of this specification or any information contained therein. National and/or its licensors do not warrant that this design will meet the specifications, will be suitable for your application or fit for any particular purpose, or will operate in an implementation. National and/or its licensors do not warrant that the design is production worthy. You should completely validate and test your design implementation to confirm the system functionality for your application.

Designed for: Public Release	Mod. Date: 10/16/2009
Project: 30W LED Power Supply	Sheet: 1 of 1
Sheet Title:	Rev. 1
Size: B	Schematic: 870xxxxx
Assembly Variant: Variant name is not interpreted until output	File: NSC1030_SchDoc
Contact: http://www.national.com/support	



Comment	Description	Designator	Footprint	LibRef	Quantity
Printed Circuit Board	Printed Circuit Board	AA		PCB	1
DIODE-BRIDGE1	Diode Bridge	BR1	bridge	DIODE-BRIDGE1	1
GRM32ER71H475K A88L	Ceramic, X7R, 50V, 10%	C100, C101, C102, C103	1210	GRM32ER71H475K A88L	4
C0805C104M5RAC U	Ceramic, X7R, 50V, 20%	C104	0805_HV	C0805C104M5RAC U	1
GRM21BR71C105K A01L	Ceramic, X7R, 16V, 10%	C105, C113	0805_HV	GRM21BR71C105K A01L	2
C2012X7R1C474K	Ceramic, X7R, 16V, 10%	C106, C112	0805_HV	C2012X7R1C474K	2
GRM219R61C225K 88D	Ceramic, X5R, 16V, 10%	C108	0805_HV	GRM219R61C225K 88D	1
C2012X7R1E224K	Ceramic, X7R, 25V, 10%	C109	0805_HV	C2012X7R1E224K	1
GRM32ER61E226K 15L	Ceramic, X5R, 25V, 10%	C110, C111	1210	GRM32ER61E226K 15L	2
Used in BOM report	Technology, Dielectric, xxV, xx%, xxOhm ESR	C114	TBD	Capacitor_Polarized	1
12CWQ10FNPNBF	Vr = 100V, Io = 12A Vf = 0.95V	D100	DPAK	12CWQ10FNPNBF	1
SER1360-103KLB	Shielded E Core, 7.2A, 0.00983 Ohm	L100	SER1360	SER1360-103KLB	1
VIN 6 - 33Vdc	TEST POINT	P100	PAD175	PAD175	1
GND	TEST POINT	P101	PAD175	PAD175	1
LED+	TEST POINT	P102	PAD175	PAD175	1
LED-	TEST POINT	P103	PAD175	PAD175	1
24Vac	TEST POINT	P104, P105	PAD175	PAD175	2
Used in BOM report	N-Channel MOSFET	Q100		MOSFET_N	1
CRCW080510R0FK EA	1%, 0.125W	R100, R106	0805	CRCW080510R0FK EA	2
CRCW080513k0FK A	1%, 0.125W	R101, R?	0805	CRCW080513k0FK A	2
CRCW080514k3FK A	1%, 0.125W	R102	0805	CRCW080514k3FK A	1
CRCW08051k00FK A	1%, 0.125W	R103, R104, R105	0805	CRCW08051k00FK A	3
WSL2512R0600FEA	1%, 1W	R107, R108	2512M	WSL2512R0600FEA	2
CRCW080510k0FK A	1%, 0.125W	R109, R113	0805	CRCW080510k0FK A	2
CRCW080549k9FK A	1%, 0.125W	R110, R112	0805	CRCW080549k9FK A	2
CRCW080532k4FK A	1%, 0.125W	R111	0805	CRCW080532k4FK A	1
CRCW08052k61FK A	1%, 0.125W	R114	0805	CRCW08052k61FK A	1
LM3424	Constant Current N-	U100	MXA20A_N	LM3424	1

IMPORTANT NOTICE

Texas Instruments Incorporated and its subsidiaries (TI) reserve the right to make corrections, modifications, enhancements, improvements, and other changes to its products and services at any time and to discontinue any product or service without notice. Customers should obtain the latest relevant information before placing orders and should verify that such information is current and complete. All products are sold subject to TI's terms and conditions of sale supplied at the time of order acknowledgment.

TI warrants performance of its hardware products to the specifications applicable at the time of sale in accordance with TI's standard warranty. Testing and other quality control techniques are used to the extent TI deems necessary to support this warranty. Except where mandated by government requirements, testing of all parameters of each product is not necessarily performed.

TI assumes no liability for applications assistance or customer product design. Customers are responsible for their products and applications using TI components. To minimize the risks associated with customer products and applications, customers should provide adequate design and operating safeguards.

TI does not warrant or represent that any license, either express or implied, is granted under any TI patent right, copyright, mask work right, or other TI intellectual property right relating to any combination, machine, or process in which TI products or services are used. Information published by TI regarding third-party products or services does not constitute a license from TI to use such products or services or a warranty or endorsement thereof. Use of such information may require a license from a third party under the patents or other intellectual property of the third party, or a license from TI under the patents or other intellectual property of TI.

Reproduction of TI information in TI data books or data sheets is permissible only if reproduction is without alteration and is accompanied by all associated warranties, conditions, limitations, and notices. Reproduction of this information with alteration is an unfair and deceptive business practice. TI is not responsible or liable for such altered documentation. Information of third parties may be subject to additional restrictions.

Resale of TI products or services with statements different from or beyond the parameters stated by TI for that product or service voids all express and any implied warranties for the associated TI product or service and is an unfair and deceptive business practice. TI is not responsible or liable for any such statements.

TI products are not authorized for use in safety-critical applications (such as life support) where a failure of the TI product would reasonably be expected to cause severe personal injury or death, unless officers of the parties have executed an agreement specifically governing such use. Buyers represent that they have all necessary expertise in the safety and regulatory ramifications of their applications, and acknowledge and agree that they are solely responsible for all legal, regulatory and safety-related requirements concerning their products and any use of TI products in such safety-critical applications, notwithstanding any applications-related information or support that may be provided by TI. Further, Buyers must fully indemnify TI and its representatives against any damages arising out of the use of TI products in such safety-critical applications.

TI products are neither designed nor intended for use in military/aerospace applications or environments unless the TI products are specifically designated by TI as military-grade or "enhanced plastic." Only products designated by TI as military-grade meet military specifications. Buyers acknowledge and agree that any such use of TI products which TI has not designated as military-grade is solely at the Buyer's risk, and that they are solely responsible for compliance with all legal and regulatory requirements in connection with such use.

TI products are neither designed nor intended for use in automotive applications or environments unless the specific TI products are designated by TI as compliant with ISO/TS 16949 requirements. Buyers acknowledge and agree that, if they use any non-designated products in automotive applications, TI will not be responsible for any failure to meet such requirements.

Following are URLs where you can obtain information on other Texas Instruments products and application solutions:

Products

Audio	www.ti.com/audio
Amplifiers	amplifier.ti.com
Data Converters	dataconverter.ti.com
DLP® Products	www.dlp.com
DSP	dsp.ti.com
Clocks and Timers	www.ti.com/clocks
Interface	interface.ti.com
Logic	logic.ti.com
Power Mgmt	power.ti.com
Microcontrollers	microcontroller.ti.com
RFID	www.ti-rfid.com
OMAP Mobile Processors	www.ti.com/omap
Wireless Connectivity	www.ti.com/wirelessconnectivity

Applications

Automotive and Transportation	www.ti.com/automotive
Communications and Telecom	www.ti.com/communications
Computers and Peripherals	www.ti.com/computers
Consumer Electronics	www.ti.com/consumer-apps
Energy and Lighting	www.ti.com/energy
Industrial	www.ti.com/industrial
Medical	www.ti.com/medical
Security	www.ti.com/security
Space, Avionics and Defense	www.ti.com/space-avionics-defense
Video and Imaging	www.ti.com/video

TI E2E Community Home Page

e2e.ti.com

Mailing Address: Texas Instruments, Post Office Box 655303, Dallas, Texas 75265
Copyright © 2012, Texas Instruments Incorporated