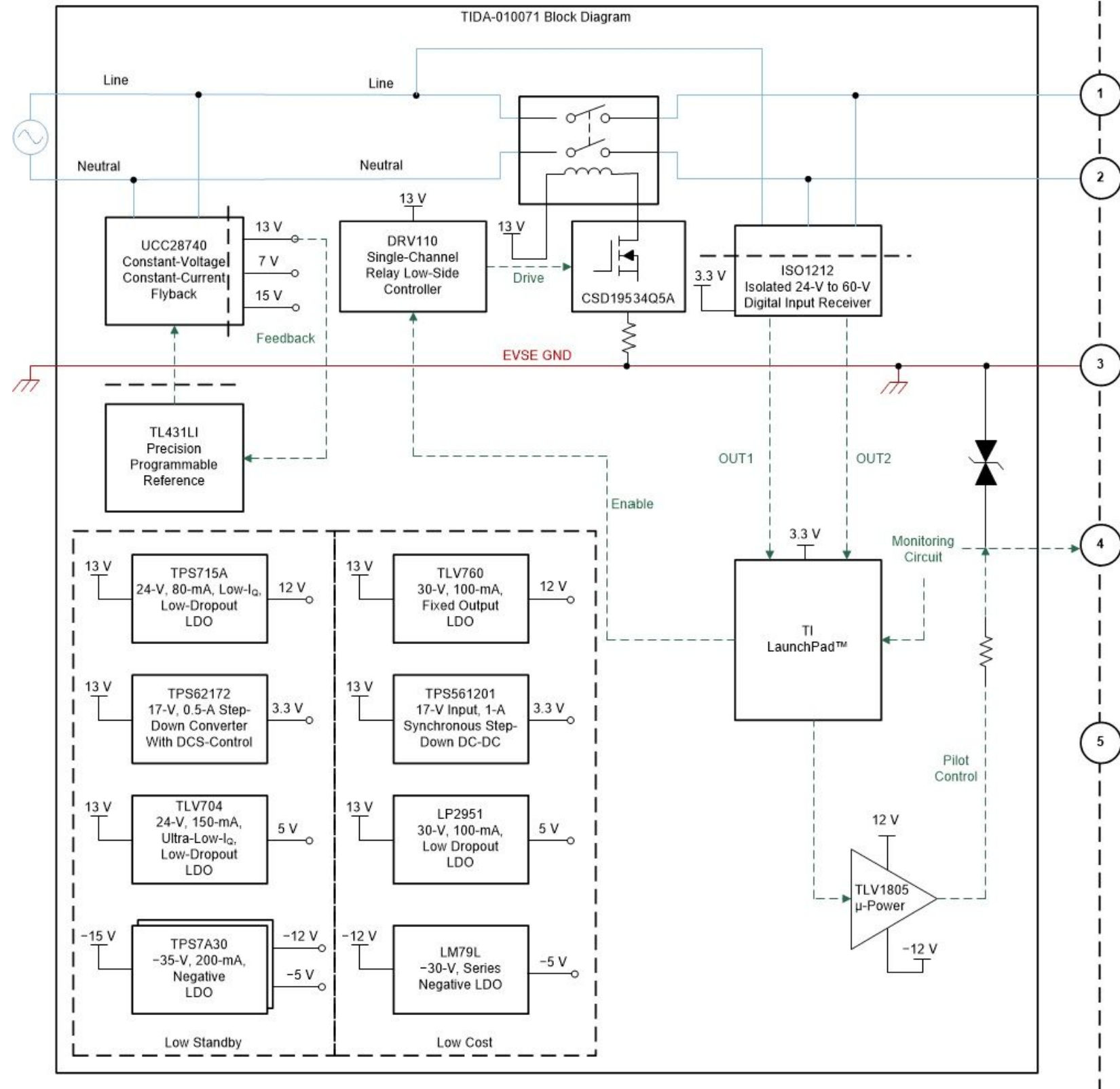


J1772 Charge Coupler



Electric Vehicle Inlet



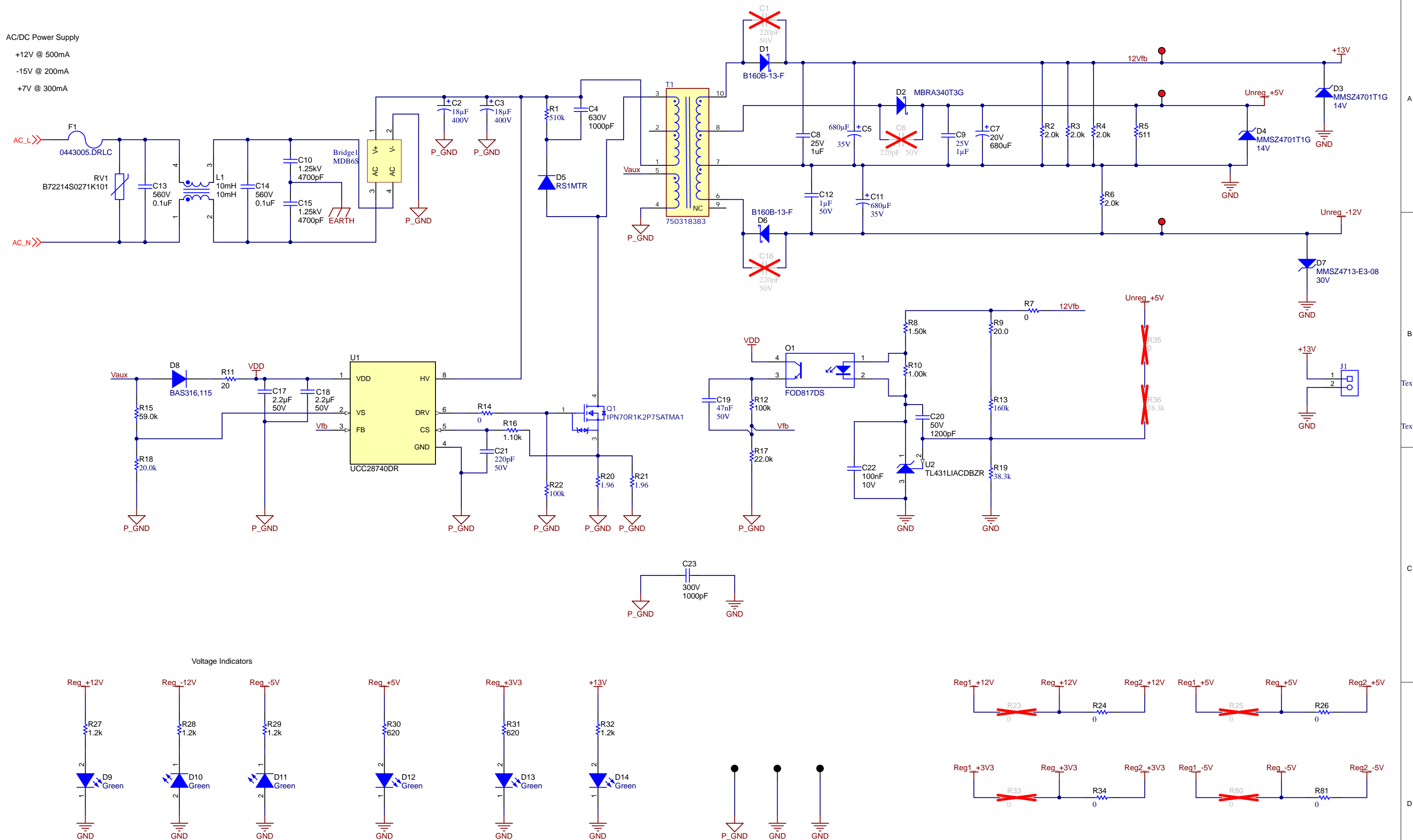
Texas Instruments and/or its licensors do not warrant the accuracy or completeness of this specification or any information contained therein. Texas Instruments and/or its licensors do not warrant that this design will meet the specifications, will be suitable for your application or fit for any particular purpose, or will operate in an implementation. Texas Instruments and/or its licensors do not warrant that the design is production worthy. You should completely validate and test your design implementation to confirm the system functionality for your application.

Orderable: NA	Designed for: Public Release	Mod. Date: 10/9/2019
TID #: TIDA-010071	Project Title: SAE J1772 Compliant EVSE	
Number: TIDA-010071	Rev: E2	Sheet Title: Block Diagram
SVN Rev: Not in version control	Assembly Variant: 001	Sheet: 1 of 7
Drawn By: Surya Mishra	File: TIDA-010071E2 Block Diagram.SchDoc	Size: B
Engineer: Surya Mishra	Contact: http://www.ti.com/support	

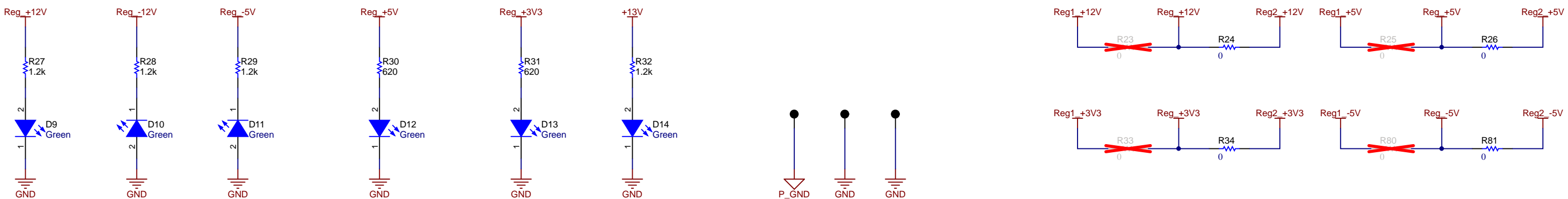


AC/DC Power Supply

+12V @ 500mA
-15V @ 200mA
+7V @ 300mA

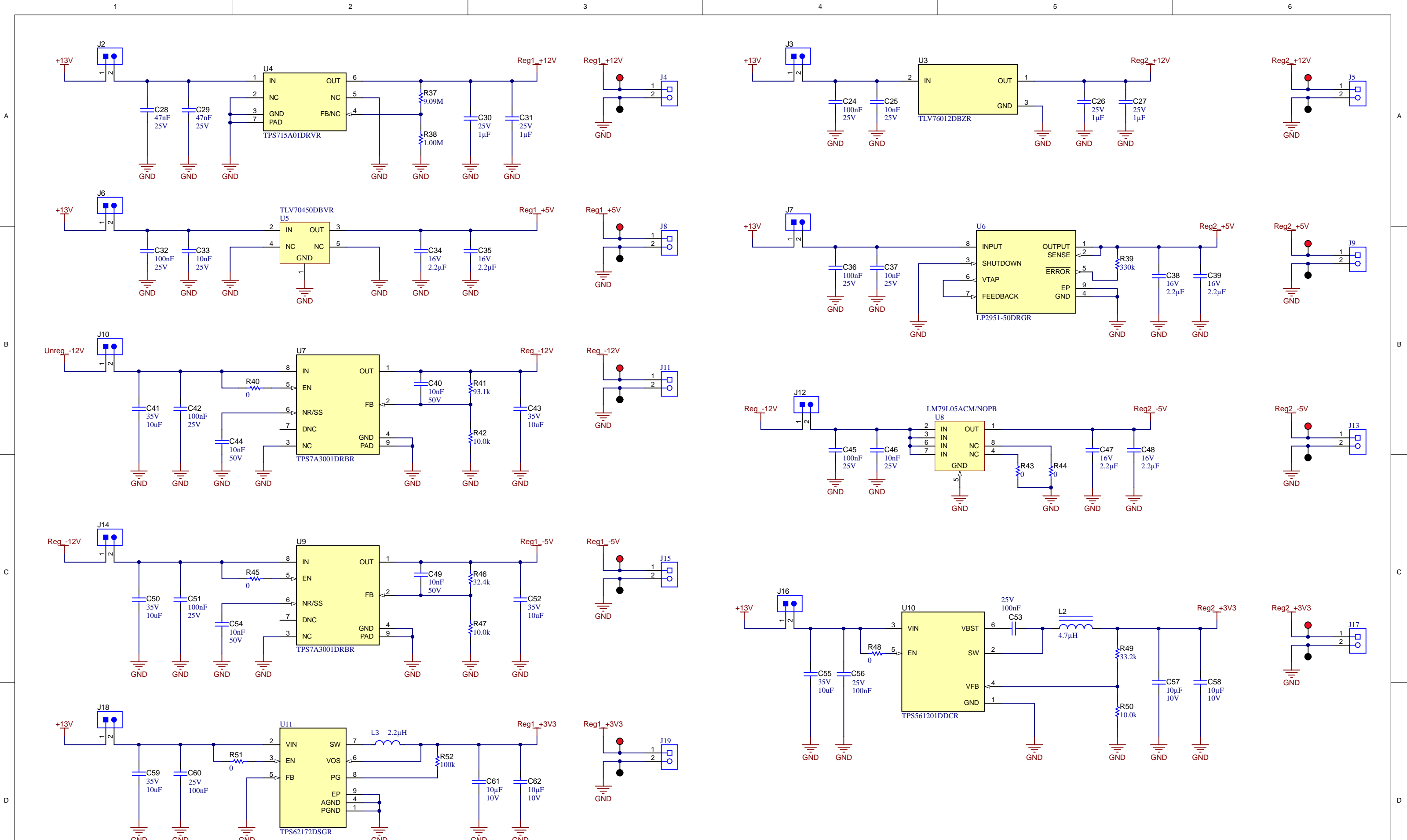


Voltage Indicators



Texas Instruments and/or its licensors do not warrant the accuracy or completeness of this specification or any information contained therein. Texas Instruments and/or its licensors do not warrant that this design will meet the specifications, will be suitable for your application or fit for any particular purpose, or will operate in an implementation. Texas Instruments and/or its licensors do not warrant that the design is production worthy. You should completely validate and test your design implementation to confirm the system functionality for your application.

Orderable: NA	Designed for: Public Release	Mod. Date: 10/9/2019
TID #: TIDA-010071	Project Title: SAE J1772 Compliant EVSE	
Number: TIDA-010071	Rev: E2	Sheet Title: AC-DC Flyback Stage
SVN Rev: Not in version control	Assembly Variant: 001	Sheet: 2 of 7
Drawn By: Surya Mishra	File: TIDA-010071E2 UCC28740 AC-DC.SchDoc	Size: B
Engineer: Surya Mishra	Contact: http://www.ti.com/support	© Texas Instruments 2019



Texas Instruments and/or its licensors do not warrant the accuracy or completeness of this specification or any information contained therein. Texas Instruments and/or its licensors do not warrant that this design will meet the specifications, will be suitable for your application or fit for any particular purpose, or will operate in an implementation. Texas Instruments and/or its licensors do not warrant that the design is production worthy. You should completely validate and test your design implementation to confirm the system functionality for your application.

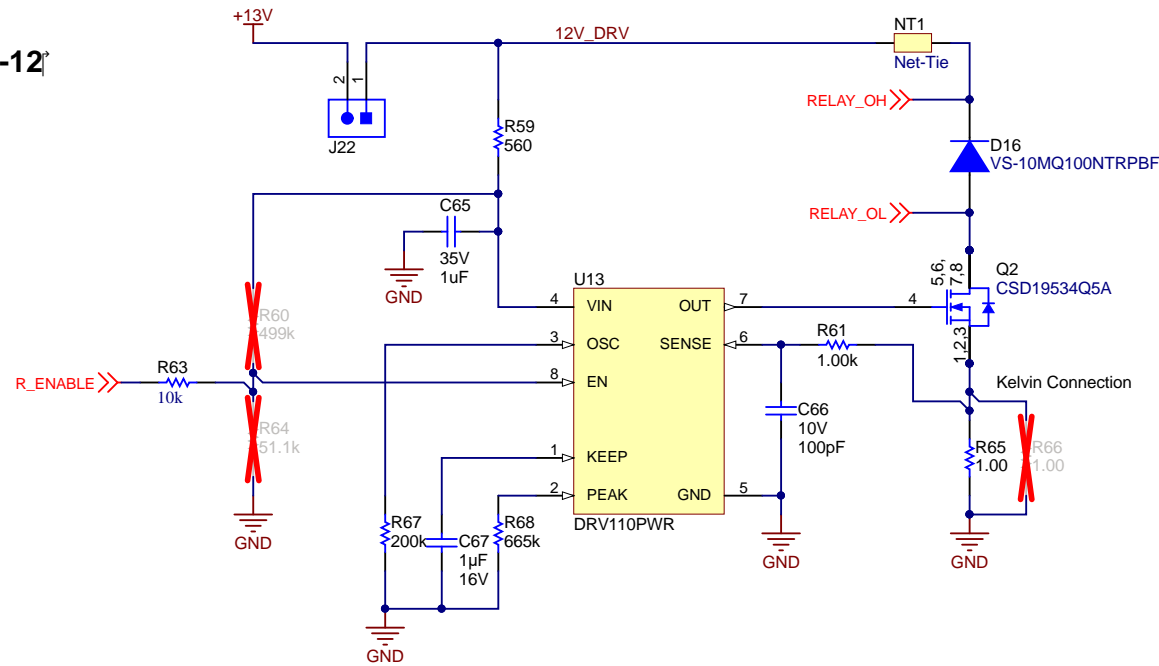
Orderable: NA	Designed for: Public Release	Mod. Date: 9/30/2019
TID #: TIDA-010071	Project Title: SAE J1772 Compliant EVSE	
Number: TIDA-010071	Rev: E2	Sheet Title: DC-DC and LDO
SVN Rev: Not in version control	Assembly Variant: 001	Sheet: 3 of 7
Drawn By: Surya Mishra	File: TIDA-010071E2 DC-DC AND LDOs.SchDoc	Size: B
Engineer: Surya Mishra	Contact: http://www.ti.com/support	



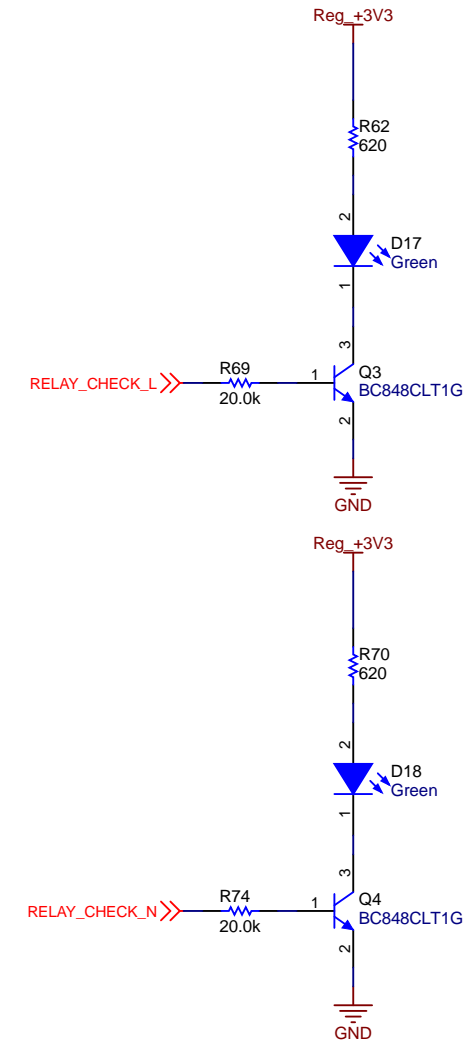
© Texas Instruments 2019

Relay Driver

Tuned for T9AS5D22-12

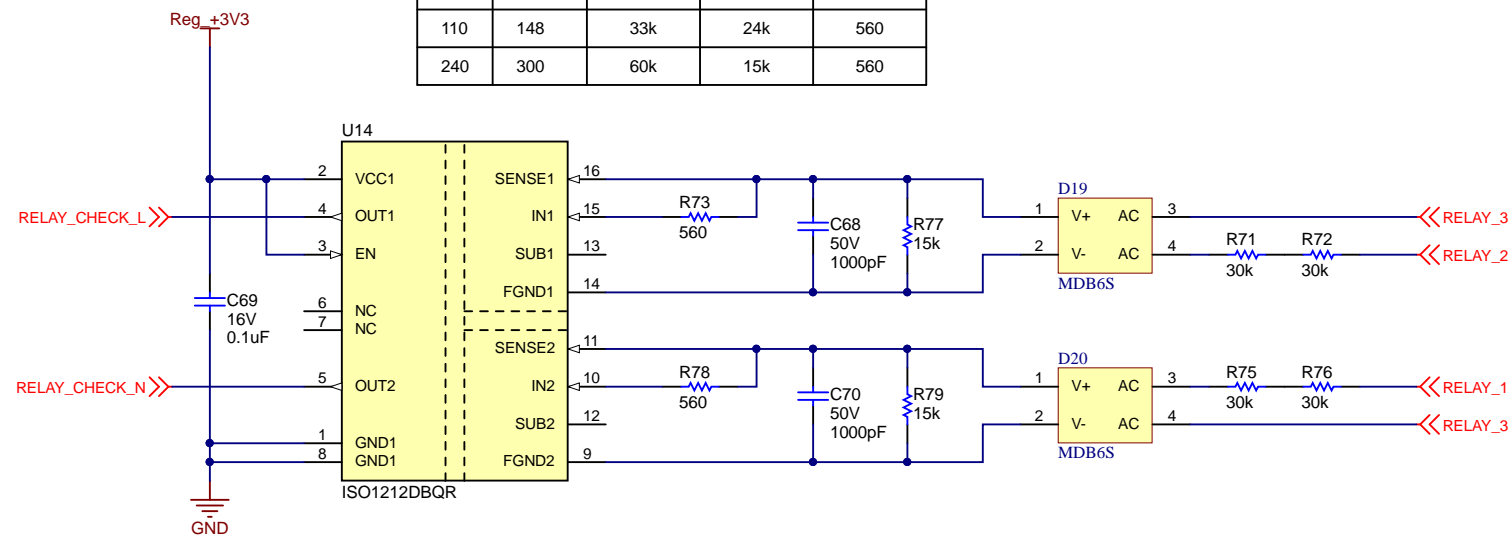


Weld Detection Status



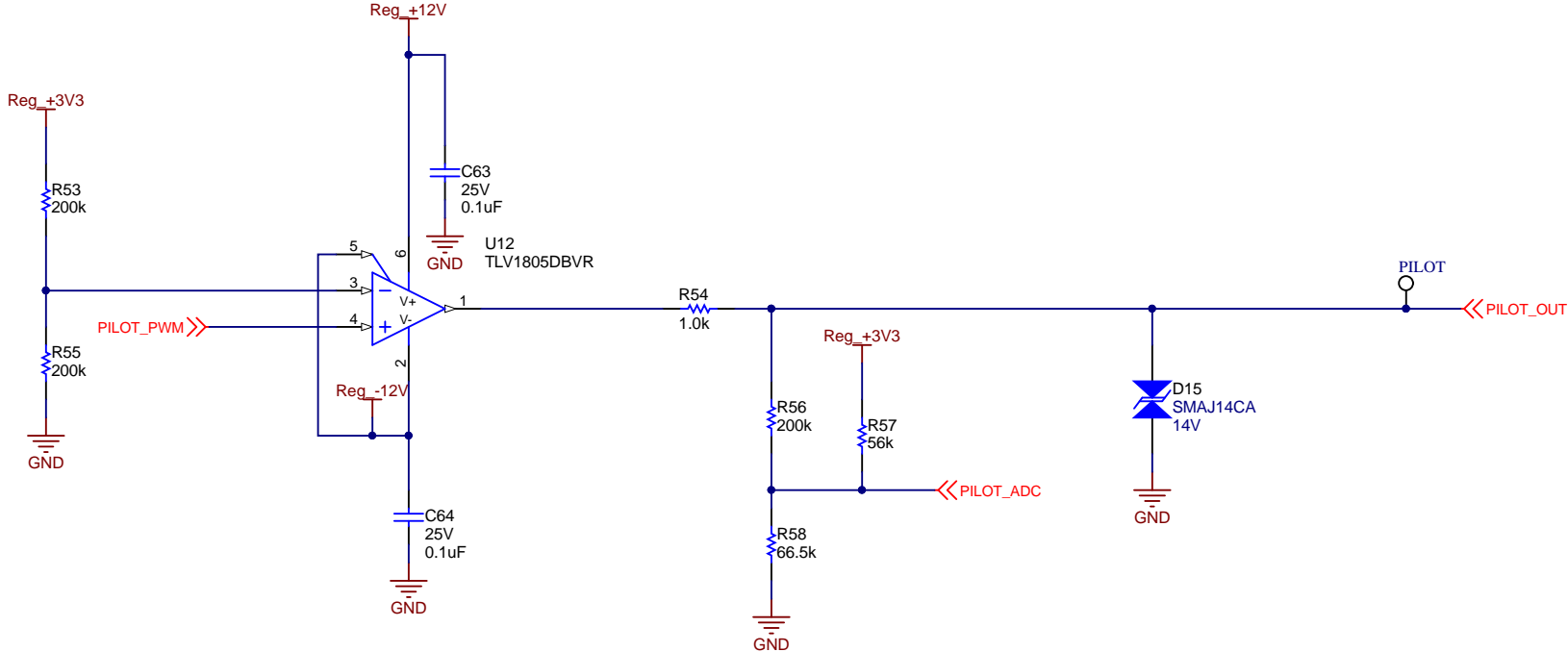
Relay's Contact Weld Detection

Input Configuration				
VAC	Vin_max	Rthr R41+R42 R45+R46	Rshunt R47 R49	Rsense R43 R48
110	148	33k	24k	560
240	300	60k	15k	560



Texas Instruments and/or its licensors do not warrant the accuracy or completeness of this specification or any information contained therein. Texas Instruments and/or its licensors do not warrant that this design will meet the specifications, will be suitable for your application or fit for any particular purpose, or will operate in an implementation. Texas Instruments and/or its licensors do not warrant that the design is production worthy. You should completely validate and test your design implementation to confirm the system functionality for your application.

Control Pilot Interface



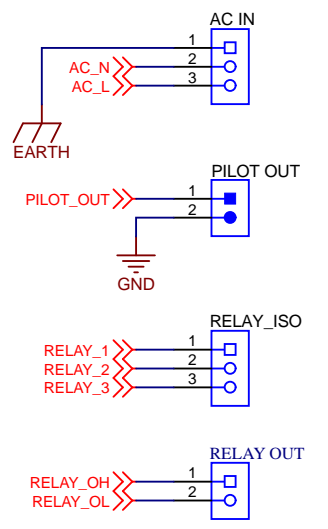
Texas Instruments and/or its licensors do not warrant the accuracy or completeness of this specification or any information contained therein. Texas Instruments and/or its licensors do not warrant that this design will meet the specifications, will be suitable for your application or fit for any particular purpose, or will operate in an implementation. Texas Instruments and/or its licensors do not warrant that the design is production worthy. You should completely validate and test your design implementation to confirm the system functionality for your application.

Orderable: NA	Designed for: Public Release	Mod. Date: 10/9/2019
TID #: TIDA-010071	Project Title: SAE J1772 Compliant EVSE	
Number: TIDA-010071	Rev: E2	Sheet Title: PilotInterface
SVN Rev: Not in version control	Assembly Variant: 001	Sheet: 5 of 7
Drawn By: Surya Mishra	File: TIDA-010071E2 Pilot Interface.SchDoc	Size: B
Engineer: Surya Mishra	Contact: http://www.ti.com/support	

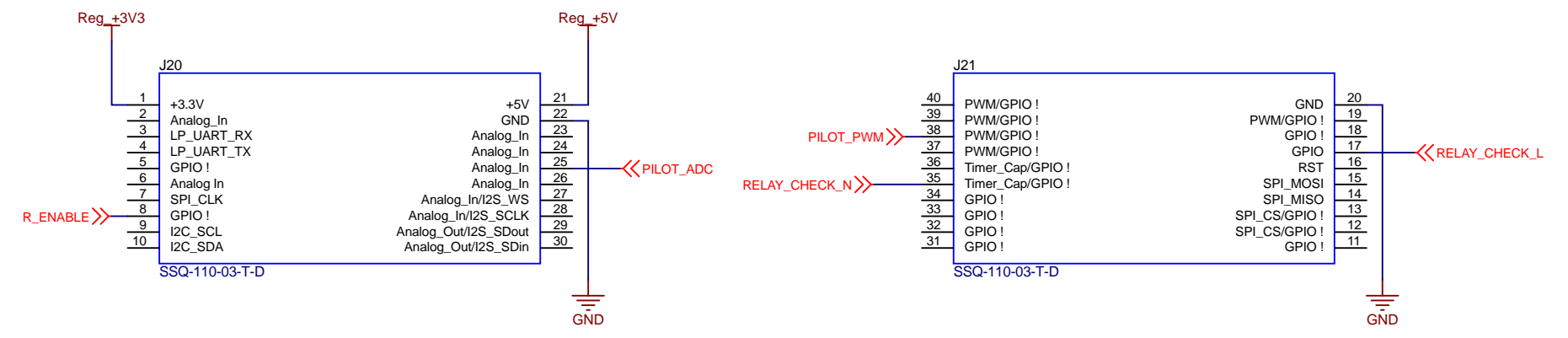


© Texas Instruments 2019

External Interfaces



LaunchPad Headers



Texas Instruments and/or its licensors do not warrant the accuracy or completeness of this specification or any information contained therein. Texas Instruments and/or its licensors do not warrant that this design will meet the specifications, will be suitable for your application or fit for any particular purpose, or will operate in an implementation. Texas Instruments and/or its licensors do not warrant that the design is production worthy. You should completely validate and test your design implementation to confirm the system functionality for your application.

Orderable: NA	Designed for: Public Release	Mod. Date: 9/30/2019	 http://www.ti.com © Texas Instruments 2019
TID #: TIDA-010071	Project Title: SAE J1772 Compliant EVSE		
Number: TIDA-010071	Rev: E2	Sheet Title: Headers	
SVN Rev: Not in version control	Assembly Variant: 001	Sheet: 6 of 7	
Drawn By: Surya Mishra	File: TIDA-010071E2 Headers.SchDoc	Size: B	
Engineer: Surya Mishra	Contact: http://www.ti.com/support		

H1 1
NY PMS 440 0025 PH

H2 1
NY PMS 440 0025 PH

H3 1
NY PMS 440 0025 PH

H4 1
NY PMS 440 0025 PH

H5
1902C

H6
1902C

H7
1902C

H8
1902C

~~FID1~~ ~~FID2~~ ~~FID3~~ ~~FID4~~ FID5 FID6 FID7 FID8

PCB Number: TIDA-010071
PCB Rev: E2

Logo8
PCB
LOGO
ESD Susceptible

Logo9
PCB
LOGO
Pb-Free Symbol

PCB
LOGO
FCC disclaimer

PCB
LOGO
WEEE logo

LOGO1
DANGER HIGH VOLTAGE

LOGO4
DANGER HIGH VOLTAGE

LOGO5
DANGER HIGH VOLTAGE

LOGO6
CAUTION HOT SURFACE

LOGO7
CAUTION HOT SURFACE

Variant/Label Table	
Variant	Label Text
001	ChangeMe!
002	ChangeMe!

ZZ1
Label Assembly Note
This Assembly Note is for PCB labels only

ZZ2
Assembly Note
These assemblies are ESD sensitive, ESD precautions shall be observed.

ZZ3
Assembly Note
These assemblies must be clean and free from flux and all contaminants. Use of no clean flux is not acceptable.

ZZ4
Assembly Note
These assemblies must comply with workmanship standards IPC-A-610 Class 2, unless otherwise specified.

Texas Instruments and/or its licensors do not warrant the accuracy or completeness of this specification or any information contained therein. Texas Instruments and/or its licensors do not warrant that this design will meet the specifications, will be suitable for your application or fit for any particular purpose, or will operate in an implementation. Texas Instruments and/or its licensors do not warrant that the design is production worthy. You should completely validate and test your design implementation to confirm the system functionality for your application.

Orderable: NA	Designed for: Public Release	Mod. Date: 9/30/2019
TID #: TIDA-010071	Project Title: SAE J1772 Compliant EVSE	
Number: TIDA-010071	Rev: E2	Sheet Title: Hardware
SVN Rev: Not in version control	Assembly Variant: 001	Sheet: 7 of 7
Drawn By: Surya Mishra	File: TIDA-010071E2 Hardware.SchDoc	Size: B
Engineer: Surya Mishra	Contact: http://www.ti.com/support	



IMPORTANT NOTICE AND DISCLAIMER

TI PROVIDES TECHNICAL AND RELIABILITY DATA (INCLUDING DATASHEETS), DESIGN RESOURCES (INCLUDING REFERENCE DESIGNS), APPLICATION OR OTHER DESIGN ADVICE, WEB TOOLS, SAFETY INFORMATION, AND OTHER RESOURCES "AS IS" AND WITH ALL FAULTS, AND DISCLAIMS ALL WARRANTIES, EXPRESS AND IMPLIED, INCLUDING WITHOUT LIMITATION ANY IMPLIED WARRANTIES OF MERCHANTABILITY, FITNESS FOR A PARTICULAR PURPOSE OR NON-INFRINGEMENT OF THIRD PARTY INTELLECTUAL PROPERTY RIGHTS.

These resources are intended for skilled developers designing with TI products. You are solely responsible for (1) selecting the appropriate TI products for your application, (2) designing, validating and testing your application, and (3) ensuring your application meets applicable standards, and any other safety, security, or other requirements. These resources are subject to change without notice. TI grants you permission to use these resources only for development of an application that uses the TI products described in the resource. Other reproduction and display of these resources is prohibited. No license is granted to any other TI intellectual property right or to any third party intellectual property right. TI disclaims responsibility for, and you will fully indemnify TI and its representatives against, any claims, damages, costs, losses, and liabilities arising out of your use of these resources.

TI's products are provided subject to TI's Terms of Sale (www.ti.com/legal/termsofsale.html) or other applicable terms available either on ti.com or provided in conjunction with such TI products. TI's provision of these resources does not expand or otherwise alter TI's applicable warranties or warranty disclaimers for TI products.

Mailing Address: Texas Instruments, Post Office Box 655303, Dallas, Texas 75265
Copyright © 2019, Texas Instruments Incorporated