

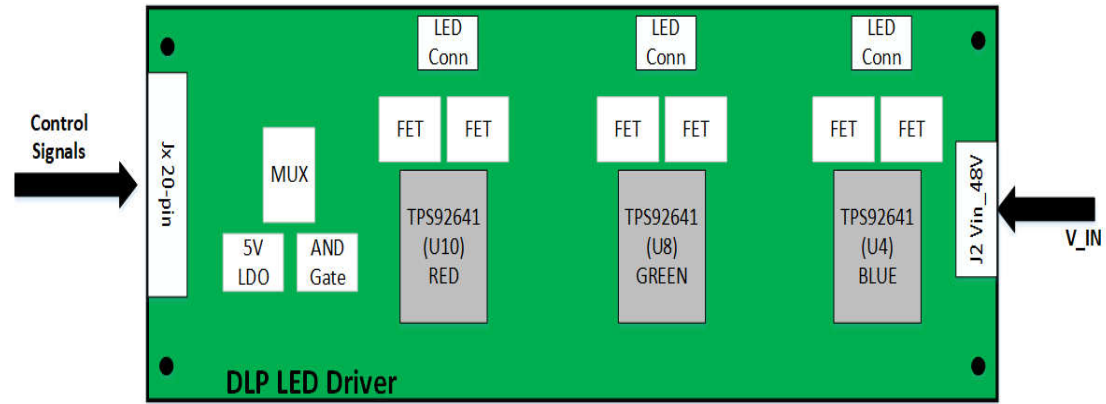
COMPUTER GENERATED DRAWING - DO NOT REVISE MANUALLY			
REVISIONS			
REV	DESCRIPTION	DATE	APPROVED
A	ECO INITIAL RELEASE	08/25/19	
B	UPDATED ENABLE SIGNAL CONNECTION	02/25/20	
C			
D			

DLP LED DRIVER

TIDA - 080008

ESD - DWG# 2516491 / ECO# 2177981
 PCB - DWG# 2516492 / ECO# 2177982
 CCA - DWG# 2516493 / ECO# 2177983

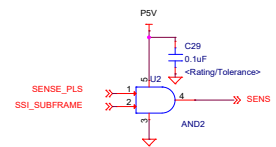
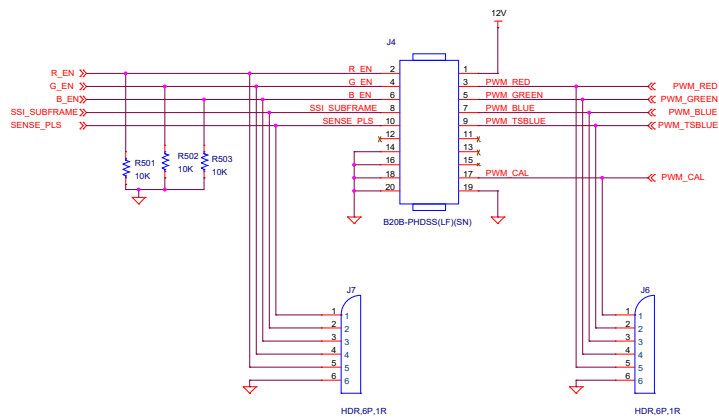
DWN	DATE	TEXAS INSTRUMENTS - DLP® Products	
ENGR		<small>(C) COPYRIGHT 2014 Texas Instruments Inc. All Rights Reserved</small>	
SYS		TITLE DLP LED DRIVER - TIDA - 080008	
APVD		DRAWING NO 2516491	REV B
QA		11 x 17	Sheet Capture V18.0 [SHEET 1 of 5]



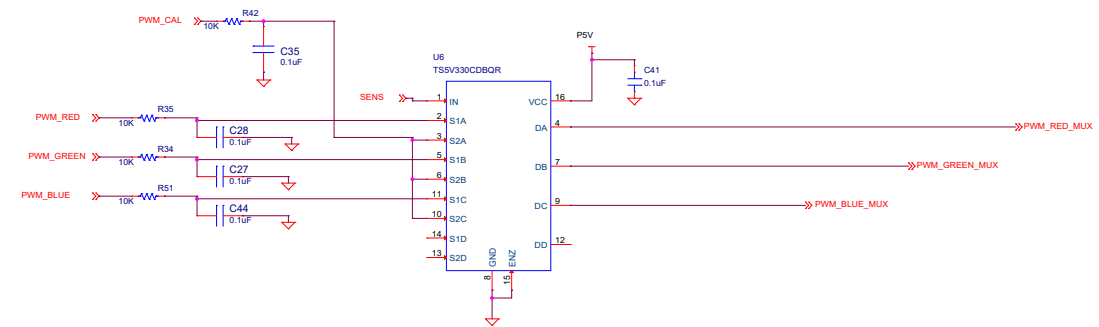
I/O CONNECTORS

TEXAS INSTRUMENTS <small>© COPYRIGHT 2014, TEXAS INSTRUMENTS ALL RIGHTS RESERVED</small>	OWN	DATE	DRAWING NO	REV
	ISSUE DATE		2516491 - TIDA-080008	B
	SIZE	D	SHEET	2 OF 5

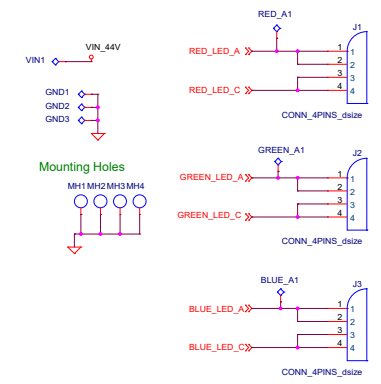
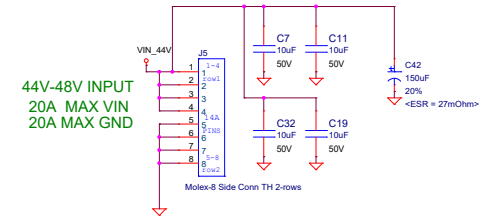
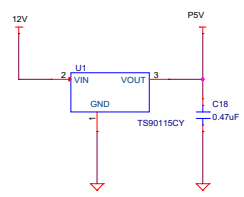
Input Signals



Independent Illuminator MUX

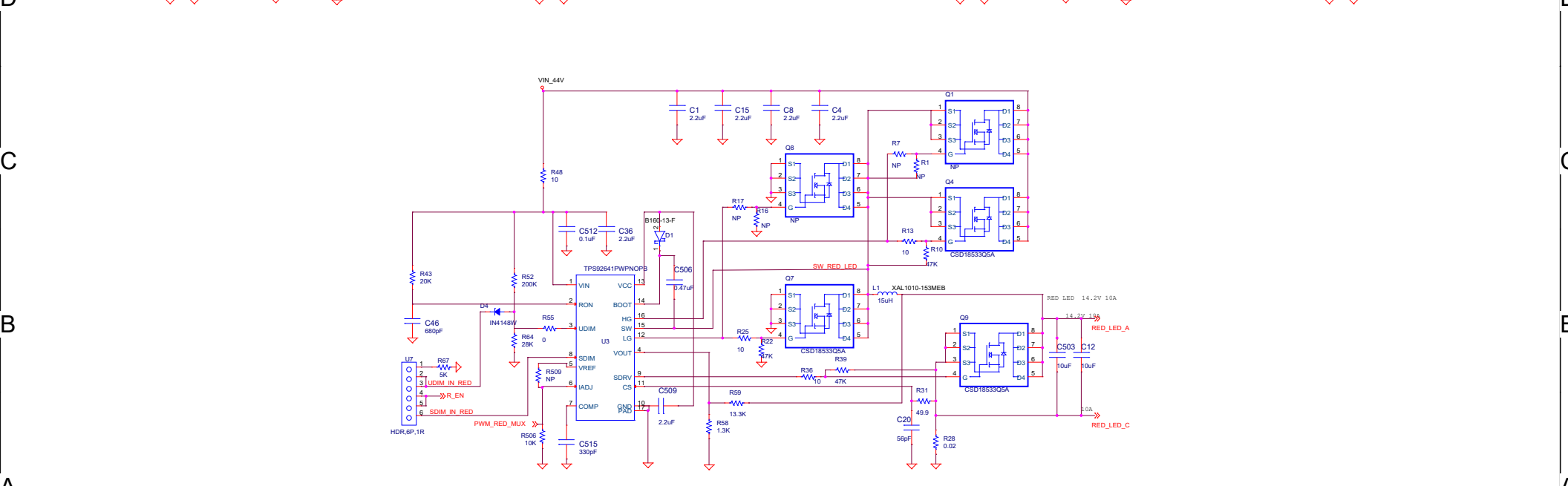
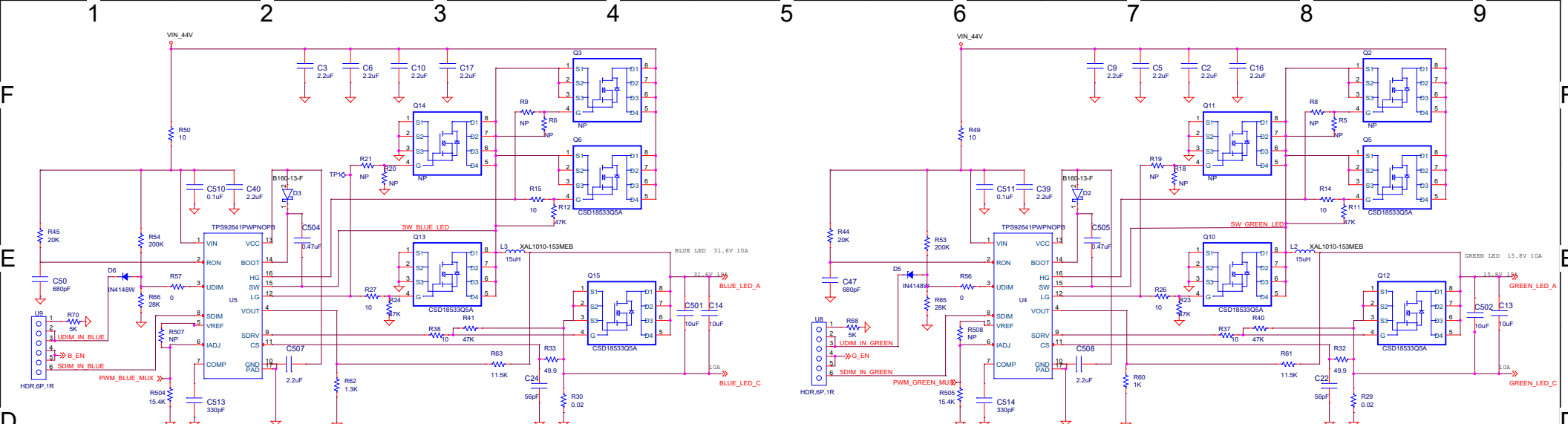


LED Power Connectors



INPUT, POWER, MUX

TEXAS INSTRUMENTS	OWN	DATE	DRAWING NO. 2516491- TIDA-080008	REV. B
	ISSUE DATE	SCALE		



DLP LED DRIVER

TEXAS INSTRUMENTS	OWN	DATE	DRAWING NO	REV
©1 COPYRIGHT 2004, TEXAS INSTRUMENTS	ISSUE DATE		2516491 - TIDA-080008	B
ALL RIGHTS RESERVED	REV	D	SHEET 4 OF 5	

IMPORTANT NOTICE AND DISCLAIMER

TI PROVIDES TECHNICAL AND RELIABILITY DATA (INCLUDING DATASHEETS), DESIGN RESOURCES (INCLUDING REFERENCE DESIGNS), APPLICATION OR OTHER DESIGN ADVICE, WEB TOOLS, SAFETY INFORMATION, AND OTHER RESOURCES "AS IS" AND WITH ALL FAULTS, AND DISCLAIMS ALL WARRANTIES, EXPRESS AND IMPLIED, INCLUDING WITHOUT LIMITATION ANY IMPLIED WARRANTIES OF MERCHANTABILITY, FITNESS FOR A PARTICULAR PURPOSE OR NON-INFRINGEMENT OF THIRD PARTY INTELLECTUAL PROPERTY RIGHTS.

These resources are intended for skilled developers designing with TI products. You are solely responsible for (1) selecting the appropriate TI products for your application, (2) designing, validating and testing your application, and (3) ensuring your application meets applicable standards, and any other safety, security, or other requirements. These resources are subject to change without notice. TI grants you permission to use these resources only for development of an application that uses the TI products described in the resource. Other reproduction and display of these resources is prohibited. No license is granted to any other TI intellectual property right or to any third party intellectual property right. TI disclaims responsibility for, and you will fully indemnify TI and its representatives against, any claims, damages, costs, losses, and liabilities arising out of your use of these resources.

TI's products are provided subject to TI's Terms of Sale (www.ti.com/legal/termsofsale.html) or other applicable terms available either on ti.com or provided in conjunction with such TI products. TI's provision of these resources does not expand or otherwise alter TI's applicable warranties or warranty disclaimers for TI products.

Mailing Address: Texas Instruments, Post Office Box 655303, Dallas, Texas 75265
Copyright © 2020, Texas Instruments Incorporated