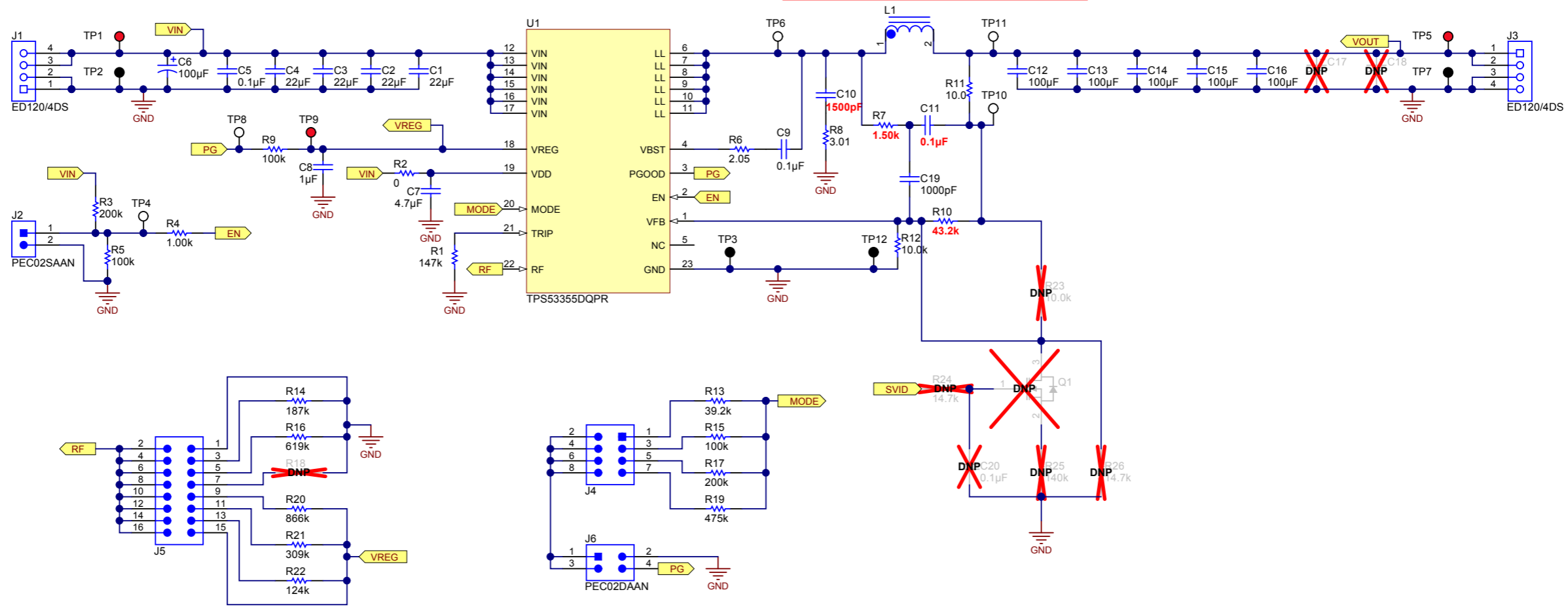


**Coilcraft_1uH_35A_4.5mΩ
(XAL1030-102MEB)**



Texas Instruments and/or its licensors do not warrant the accuracy or completeness of this specification or any information contained therein. Texas Instruments and/or its licensors do not warrant that this design will meet the specifications, will be suitable for your application or fit for any particular purpose, or will operate in an implementation. Texas Instruments and/or its licensors do not warrant that the design is production worthy. You should completely validate and test your design implementation to confirm the system functionality for your application.

Number: PR2210	Rev: E1	Designed for: Public Release	Mod. Date: 12/4/2014
SVN Rev: Not in version control	Assembly Variant: VOUT=3.3V	Project Title: PR2210E1	Sheet: 2 of 3
Drawn By: Amnat Yakamna	File: PR2210E1_HP.SchDoc	Sheet Title:	Size: B
Engineer: Amnat Yakamna	Contact: http://www.ti.com/support		

