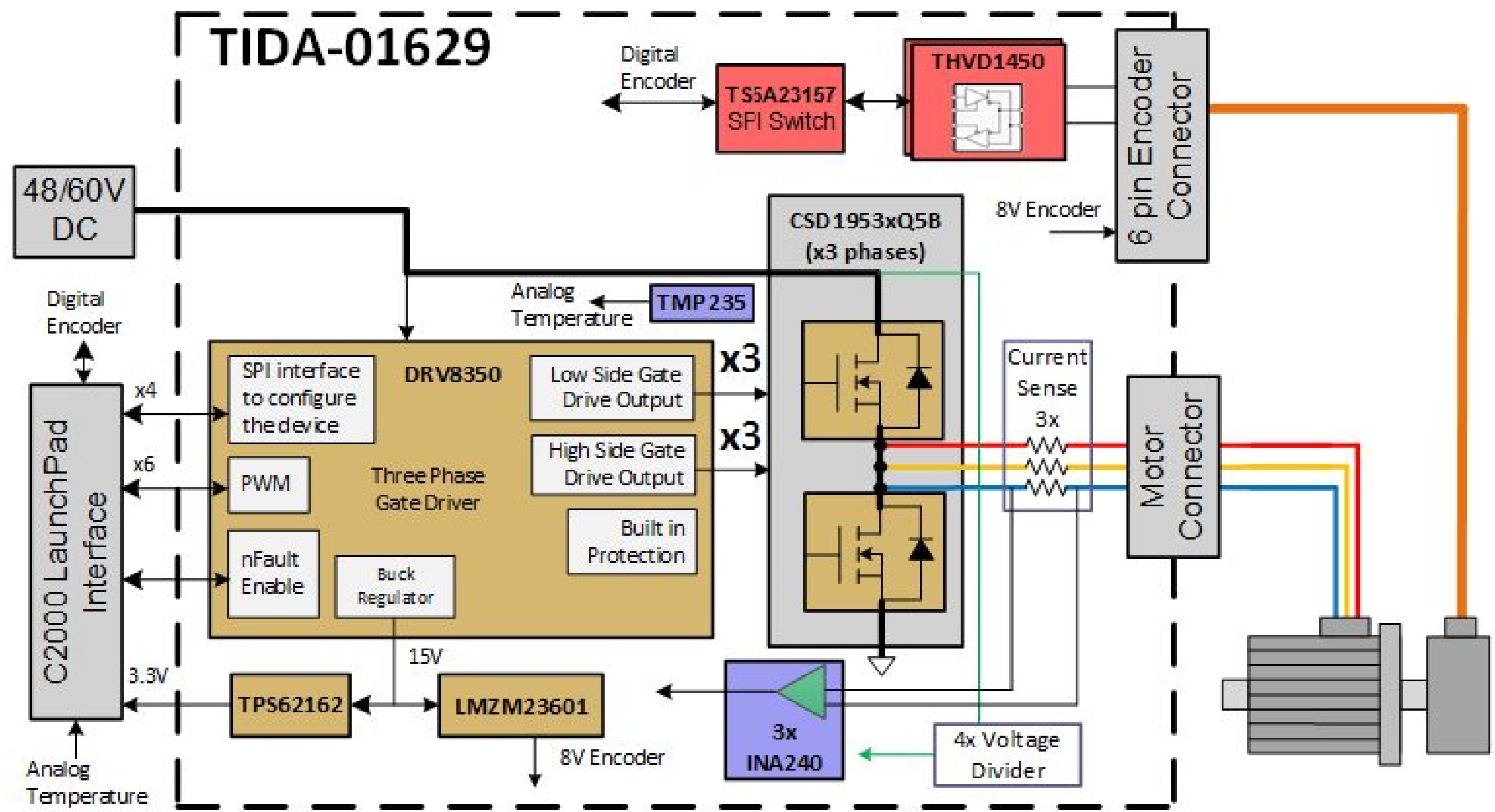


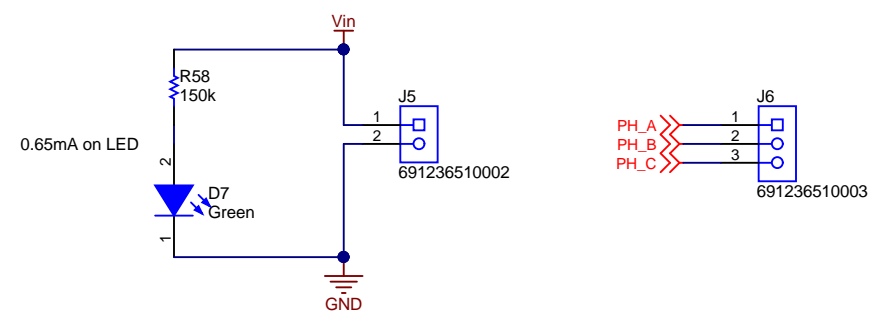
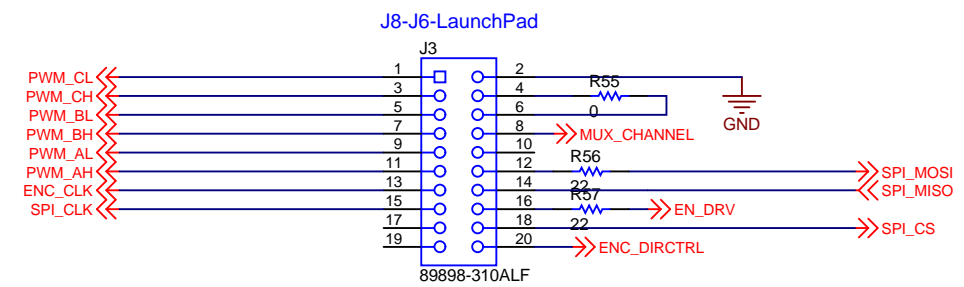
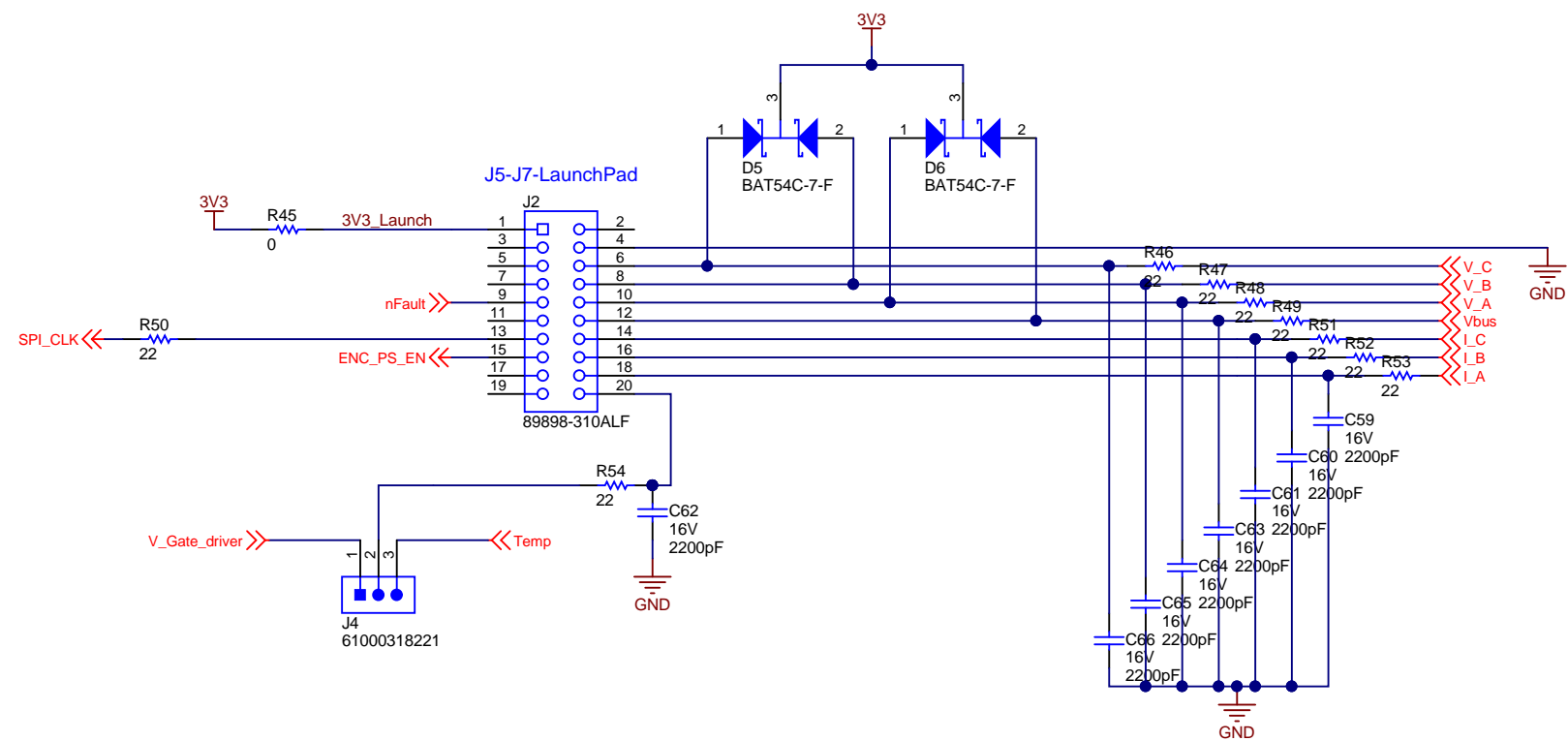
Revision History				
Rev	ECN #	Approved Date	Approved by	Notes
N/A	N/A	N/A	N/A	N/A



Copyright © 2018, Texas Instruments Incorporated

Texas Instruments and/or its licensors do not warrant the accuracy or completeness of this specification or any information contained therein. Texas Instruments and/or its licensors do not warrant that this design will meet the specifications, will be suitable for your application or fit for any particular purpose, or will operate in an implementation. Texas Instruments and/or its licensors do not warrant that the design is production worthy. You should completely validate and test your design implementation to confirm the system functionality for your application.

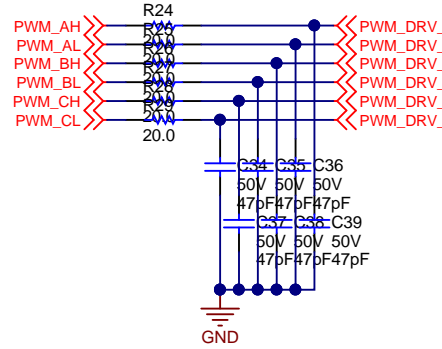
Orderable: N/A	Designed for: Public Release	Mod. Date: 8/9/2018	 http://www.ti.com © Texas Instruments 2018
TID #: TIDA-01629	Project Title: 48V/530W three phase inverter with smart gate driv	Sheet: 1 of 3	
Number: TIDA-01629	Rev: E1	Size: B	
SVN Rev: Version control disabled	Assembly Variant: 001		
Drawn By: Engineer: Kristen Mogensen	File: TIDA-01629_CoverSheet_SchDoc	Contact: http://www.ti.com/support	



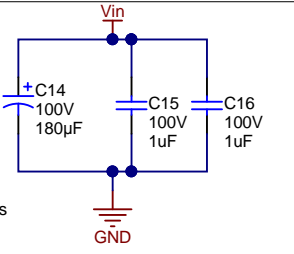
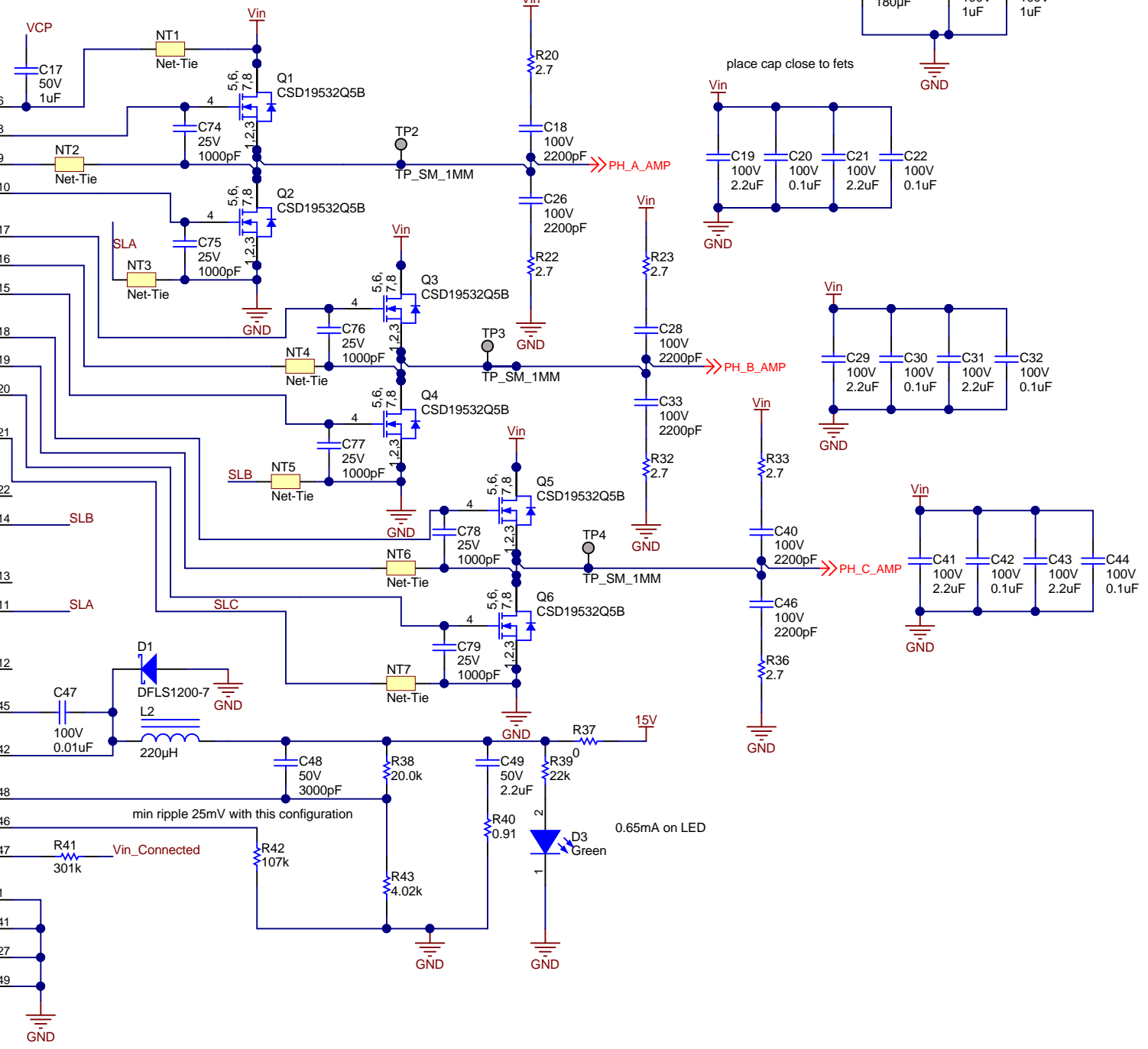
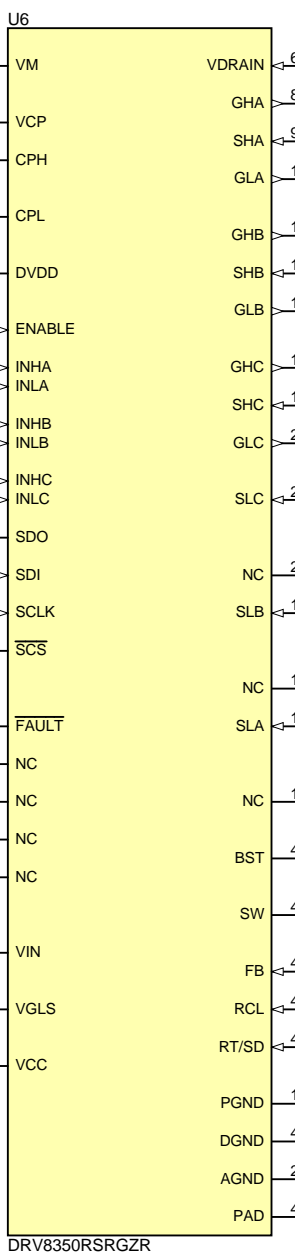
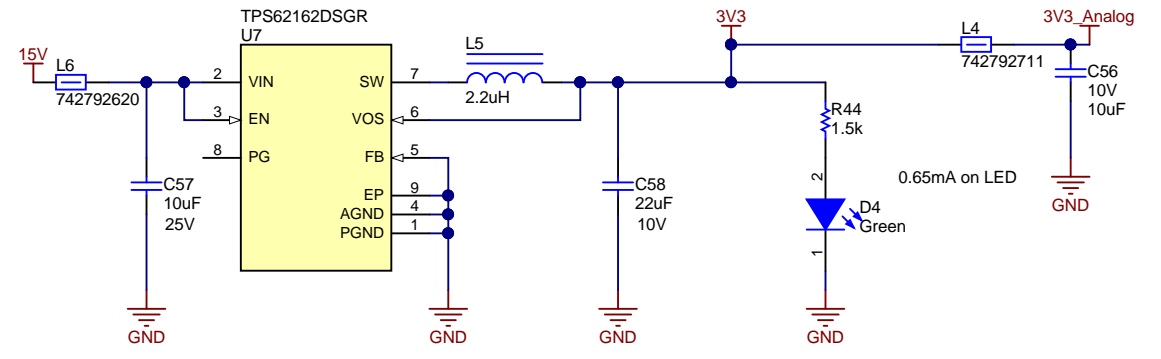
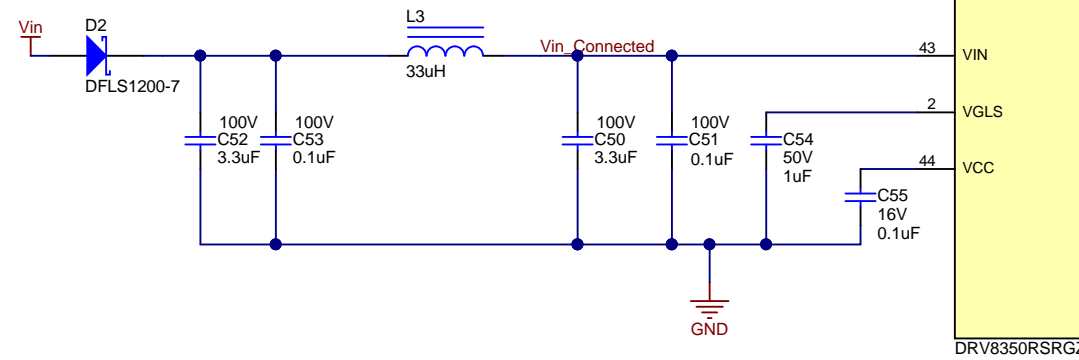
Texas Instruments and/or its licensors do not warrant the accuracy or completeness of this specification or any information contained therein. Texas Instruments and/or its licensors do not warrant that this design will meet the specifications, will be suitable for your application or fit for any particular purpose, or will operate in an implementation. Texas Instruments and/or its licensors do not warrant that the design is production worthy. You should completely validate and test your design implementation to confirm the system functionality for your application.

Orderable: N/A	Designed for: Public Release	Mod. Date: 8/9/2018	
TID #: TIDA-01629	Project Title: 48V/530W three phase inverter with smart gate driv		
Number: TIDA-01629	Rev: E1	Sheet Title:	
SVN Rev: Version control disabled	Assembly Variant: 001	Sheet: 2 of 3	
Drawn By:	File: TIDA-01629_Interface.SchDoc	Size: B	http://www.ti.com
Engineer: Kristen Mogensen	Contact: http://www.ti.com/support		© Texas Instruments 2018

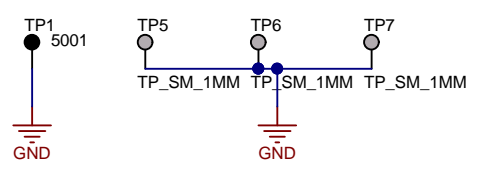
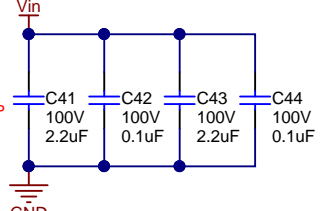
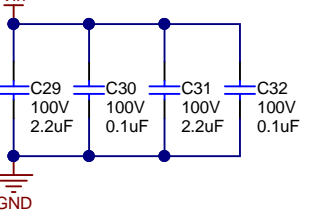
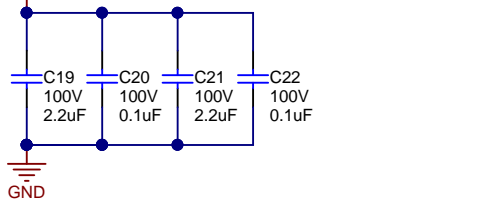
Place as close as possible to DRV8350



100..150mA-150kHz

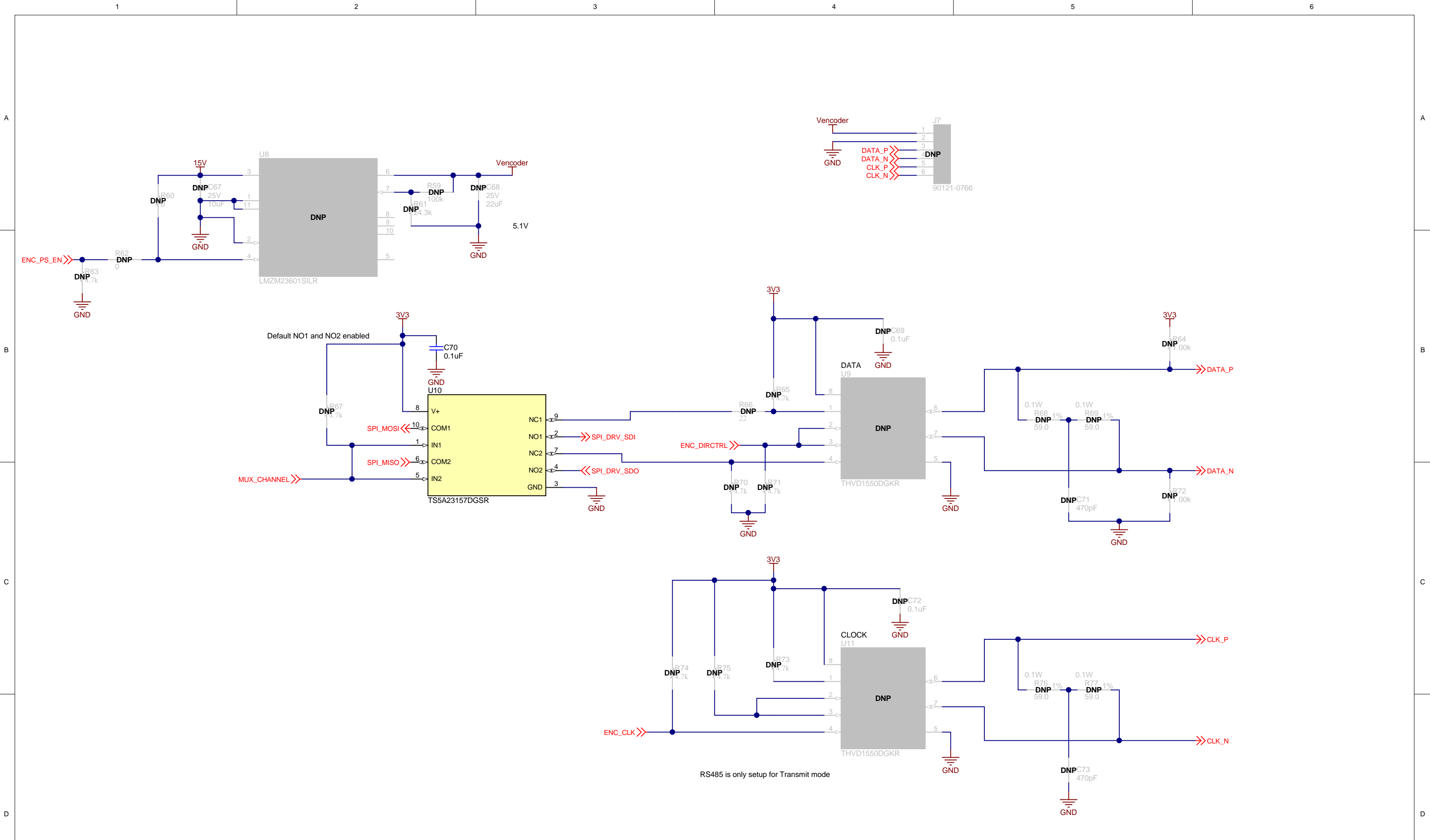


place cap close to fets



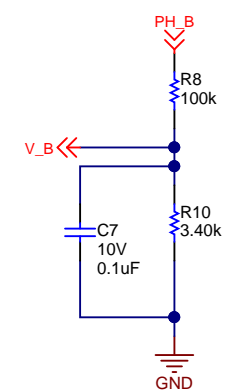
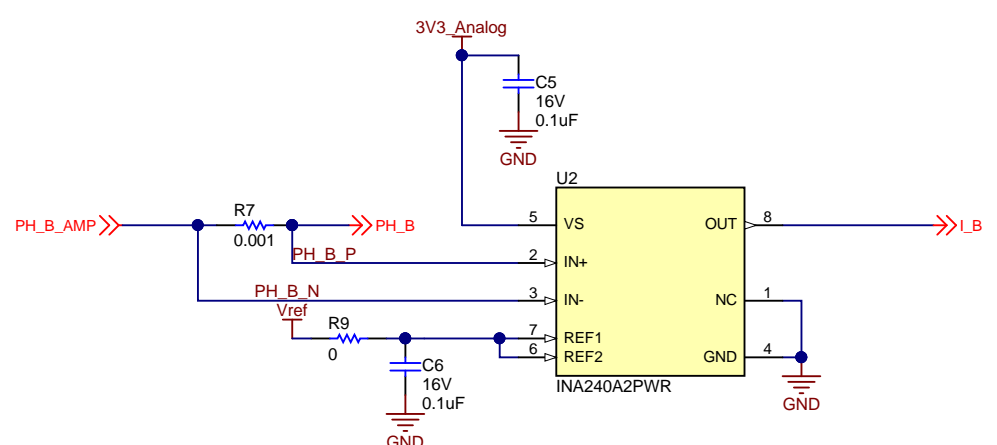
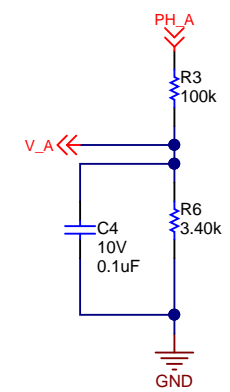
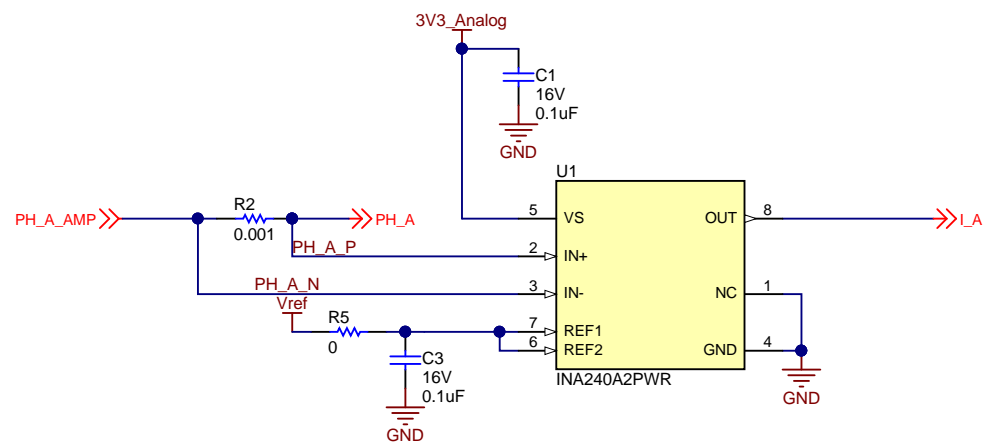
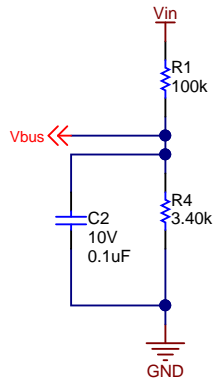
Texas Instruments and/or its licensors do not warrant the accuracy or completeness of this specification or any information contained therein. Texas Instruments and/or its licensors do not warrant that this design will meet the specifications, will be suitable for your application or fit for any particular purpose, or will operate in an implementation. Texas Instruments and/or its licensors do not warrant that the design is production worthy. You should completely validate and test your design implementation to confirm the system functionality for your application.

Orderable: N/A	Designed for: Public Release	Mod. Date: 8/9/2018	TEXAS INSTRUMENTS
TID #: TIDA-01629	Project Title: 48V/530W three phase inverter with smart gate driver	Sheet: 2 of 3	
Number: TIDA-01629	Rev: E1	Assembly Variant: 001	http://www.ti.com
SVN Rev: Version control disabled	File: TIDA-01629_Gate_Driver_SchDoc	Contact: http://www.ti.com/support	
Drawn By:	Engineer: Kristen Mogensen	Size: B	© Texas Instruments 2018

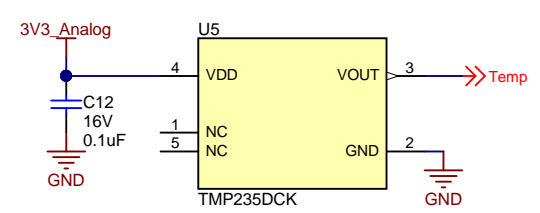
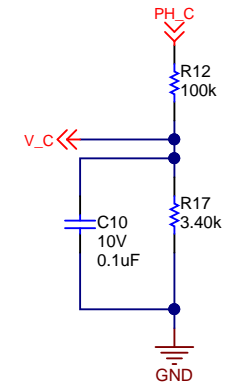
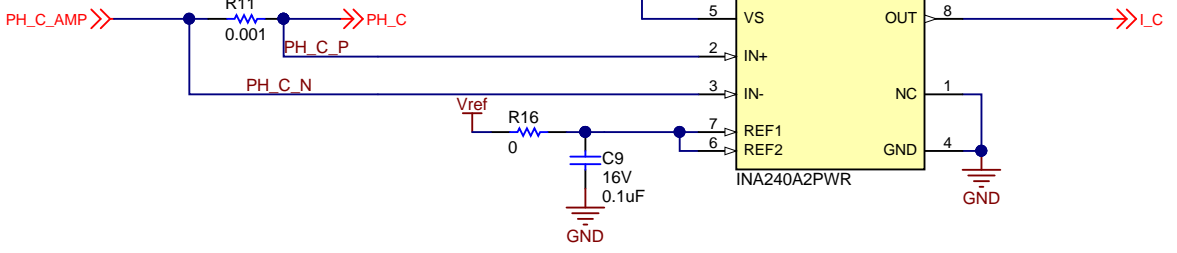
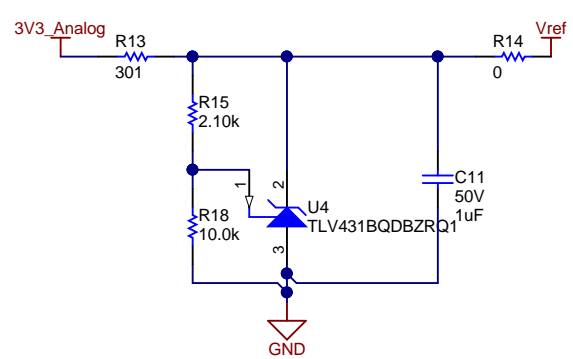


Texas Instruments and/or its licensors do not warrant the accuracy or completeness of this specification or any information contained therein. Texas Instruments and/or its licensors do not warrant that this design will meet the specifications, will be suitable for your application or fit for any particular purpose, or will operate in an implementation. Texas Instruments and/or its licensors do not warrant that the design is production worthy. You should completely validate and test your design implementation to confirm the system functionality for your application.

Orderable: N/A	Designed for: Public Release	Mod. Date: 8/9/2018	
TID #: TIDA-01629	Project Title: 48V/530W three phase inverter with smart gate driv	Sheet: 2 of 3	
Number: TIDA-01629	Rev: E1	Assembly Variant: 001	Size: B
SVN Rev: Version control disabled	File: TIDA-01629_Encoder.SchDoc	Engineer: Kristen Mogensen	Contact: http://www.ti.com/support
© Texas Instruments 2018			



R15 defines the reference voltage:
 For Vref = 1.65 choose R15 to 3.3k
 For Vref = 1.5 choose R15 to 2.1k



Texas Instruments and/or its licensors do not warrant the accuracy or completeness of this specification or any information contained therein. Texas Instruments and/or its licensors do not warrant that this design will meet the specifications, will be suitable for your application or fit for any particular purpose, or will operate in an implementation. Texas Instruments and/or its licensors do not warrant that the design is production worthy. You should completely validate and test your design implementation to confirm the system functionality for your application.

Orderable: N/A	Designed for: Public Release	Mod. Date: 8/9/2018	TEXAS INSTRUMENTS
TID #: TIDA-01629	Project Title: 48V/530W three phase inverter with smart gate drive		
Number: TIDA-01629	Rev: E1	Sheet Title:	http://www.ti.com
SVN Rev: Version control disabled		Assembly Variant: 001	
Drawn By:	File: TIDA-01629_CurrentSense.SchDoc	Sheet: 2 of 3	© Texas Instruments 2018
Engineer: Kristen Mogensen	Contact: http://www.ti.com/support	Size: B	



PCB Number: TIDA-01629
PCB Rev: E1

PCB LOGO
Pb-Free Symbol

PCB LOGO
FCC disclaimer

PCB LOGO
WEEE logo

Variant/Label Table	
Variant	Label Text
001	N/A
002	N/A

LBL1
PCB Label
Label

ZZ1
Label Assembly Note
This Assembly Note is for PCB labels only

ZZ2
Assembly Note
This Assembly Note will show in the PcbDoc and associated outputs

ZZ3
Assembly Note
This Assembly Note will show in the PcbDoc and associated outputs

ZZ4
Assembly Note
This Assembly Note will show in the PcbDoc and associated outputs

Orderable: N/A	Designed for: Public Release	Mod. Date: 8/9/2018	<p>TEXAS INSTRUMENTS http://www.ti.com © Texas Instruments 2018</p>
TID #: TIDA-01629	Project Title: 48V/530W three phase inverter with smart gate driv		
Number: TIDA-01629	Rev: E1	Sheet: 3 of 3	
SVN Rev: Version control disabled	Assembly Variant: 001	Sheet: 3 of 3	
Drawn By:	File: TIDA-01629_EVM_Hardware.SchDoc	Size: B	http://www.ti.com
Engineer: Kristen Mogensen	Contact: http://www.ti.com/support		

Texas Instruments and/or its licensors do not warrant the accuracy or completeness of this specification or any information contained therein. Texas Instruments and/or its licensors do not warrant that this design will meet the specifications, will be suitable for your application or fit for any particular purpose, or will operate in an implementation. Texas Instruments and/or its licensors do not warrant that the design is production worthy. You should completely validate and test your design implementation to confirm the system functionality for your application.

IMPORTANT NOTICE AND DISCLAIMER

TI PROVIDES TECHNICAL AND RELIABILITY DATA (INCLUDING DATASHEETS), DESIGN RESOURCES (INCLUDING REFERENCE DESIGNS), APPLICATION OR OTHER DESIGN ADVICE, WEB TOOLS, SAFETY INFORMATION, AND OTHER RESOURCES "AS IS" AND WITH ALL FAULTS, AND DISCLAIMS ALL WARRANTIES, EXPRESS AND IMPLIED, INCLUDING WITHOUT LIMITATION ANY IMPLIED WARRANTIES OF MERCHANTABILITY, FITNESS FOR A PARTICULAR PURPOSE OR NON-INFRINGEMENT OF THIRD PARTY INTELLECTUAL PROPERTY RIGHTS.

These resources are intended for skilled developers designing with TI products. You are solely responsible for (1) selecting the appropriate TI products for your application, (2) designing, validating and testing your application, and (3) ensuring your application meets applicable standards, and any other safety, security, or other requirements. These resources are subject to change without notice. TI grants you permission to use these resources only for development of an application that uses the TI products described in the resource. Other reproduction and display of these resources is prohibited. No license is granted to any other TI intellectual property right or to any third party intellectual property right. TI disclaims responsibility for, and you will fully indemnify TI and its representatives against, any claims, damages, costs, losses, and liabilities arising out of your use of these resources.

TI's products are provided subject to TI's Terms of Sale (www.ti.com/legal/termsofsale.html) or other applicable terms available either on ti.com or provided in conjunction with such TI products. TI's provision of these resources does not expand or otherwise alter TI's applicable warranties or warranty disclaimers for TI products.

Mailing Address: Texas Instruments, Post Office Box 655303, Dallas, Texas 75265
Copyright © 2018, Texas Instruments Incorporated