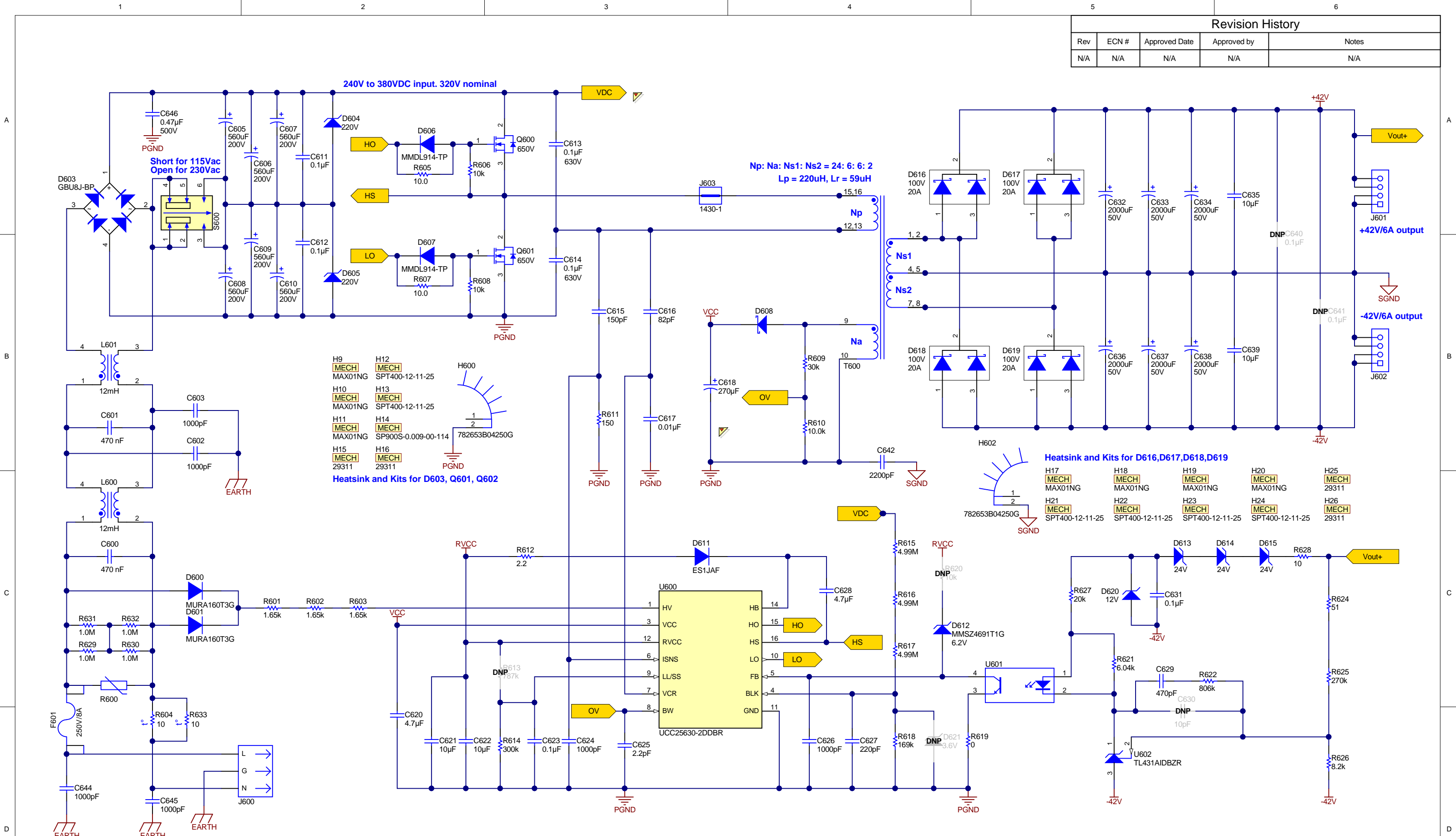


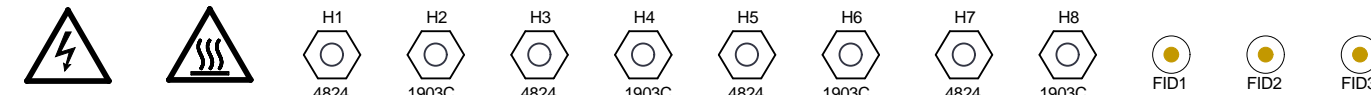
Revision History				
Rev	ECN #	Approved Date	Approved by	Notes
N/A	N/A	N/A	N/A	N/A



- Heatsink and Kits for D603, Q601, Q602**
- H9 MECH MAX01NG
  - H10 MECH MAX01NG
  - H11 MECH MAX01NG
  - H12 MECH SPT400-12-11-25
  - H13 MECH SPT400-12-11-25
  - H14 MECH SP900S-0.009-00-114
  - H15 MECH 29311
  - H16 MECH 29311

- Heatsink and Kits for D616, D617, D618, D619**
- H17 MECH MAX01NG
  - H18 MECH MAX01NG
  - H19 MECH MAX01NG
  - H20 MECH MAX01NG
  - H21 MECH SPT400-12-11-25
  - H22 MECH SPT400-12-11-25
  - H23 MECH SPT400-12-11-25
  - H24 MECH SPT400-12-11-25
  - H25 MECH 29311
  - H26 MECH 29311

PCB Number: PMP40379  
PCB Rev: B



Texas Instruments and/or its licensors do not warrant the accuracy or completeness of this specification or any information contained therein. Texas Instruments and/or its licensors do not warrant that this design will meet the specifications, will be suitable for your application or fit for any particular purpose, or will operate in an implementation. Texas Instruments and/or its licensors do not warrant that the design is production worthy. You should completely validate and test your design implementation to confirm the system functionality for your application.

Orderable: N/A	Designed for: Public Release	Mod. Date: 10/15/2018
TID #: N/A	Project Title: 500W Single Stage LLC Power Supply For Audio	
Number: PMP40379	Rev: B	Sheet Title:
SVN Rev: Version control disabled	Assembly Variant: 001	Sheet: 1 of 1
Drawn By: Oliver Pan	File: PMP40379B_sch.SchDoc	Size: B
Engineer: Oliver Pan	Contact: http://www.ti.com/support	



## IMPORTANT NOTICE AND DISCLAIMER

TI PROVIDES TECHNICAL AND RELIABILITY DATA (INCLUDING DATASHEETS), DESIGN RESOURCES (INCLUDING REFERENCE DESIGNS), APPLICATION OR OTHER DESIGN ADVICE, WEB TOOLS, SAFETY INFORMATION, AND OTHER RESOURCES "AS IS" AND WITH ALL FAULTS, AND DISCLAIMS ALL WARRANTIES, EXPRESS AND IMPLIED, INCLUDING WITHOUT LIMITATION ANY IMPLIED WARRANTIES OF MERCHANTABILITY, FITNESS FOR A PARTICULAR PURPOSE OR NON-INFRINGEMENT OF THIRD PARTY INTELLECTUAL PROPERTY RIGHTS.

These resources are intended for skilled developers designing with TI products. You are solely responsible for (1) selecting the appropriate TI products for your application, (2) designing, validating and testing your application, and (3) ensuring your application meets applicable standards, and any other safety, security, or other requirements. These resources are subject to change without notice. TI grants you permission to use these resources only for development of an application that uses the TI products described in the resource. Other reproduction and display of these resources is prohibited. No license is granted to any other TI intellectual property right or to any third party intellectual property right. TI disclaims responsibility for, and you will fully indemnify TI and its representatives against, any claims, damages, costs, losses, and liabilities arising out of your use of these resources.

TI's products are provided subject to TI's Terms of Sale ([www.ti.com/legal/termsofsale.html](http://www.ti.com/legal/termsofsale.html)) or other applicable terms available either on [ti.com](http://ti.com) or provided in conjunction with such TI products. TI's provision of these resources does not expand or otherwise alter TI's applicable warranties or warranty disclaimers for TI products.

Mailing Address: Texas Instruments, Post Office Box 655303, Dallas, Texas 75265  
Copyright © 2018, Texas Instruments Incorporated