

Title		
Size	Number TIDA-010038.	Revision
A4		
Date:	2019/1/5	Sheet of
File:	C:\Users\...\Block Diagram.SchDoc	Drawn By:

PCB Number: TIDA-010038  
 PCB Rev: E1

PCB  
 LOGO  
 Texas Instruments

PCB  
 LOGO  
 Pb-Free Symbol

PCB  
 LOGO  
 FCC disclaimer

PCB  
 LOGO



LOGO5



LOGO6



LOGO7



LOGO8



LOGO9

Variant/Label Table	
Variant	Label Text
001	ChangeMe!
002	ChangeMe!

ZZ1

Label Assembly Note

This Assembly Note is for PCB labels only

ZZ2

Assembly Note

These assemblies are ESD sensitive, ESD precautions shall be observed.

ZZ3

Assembly Note

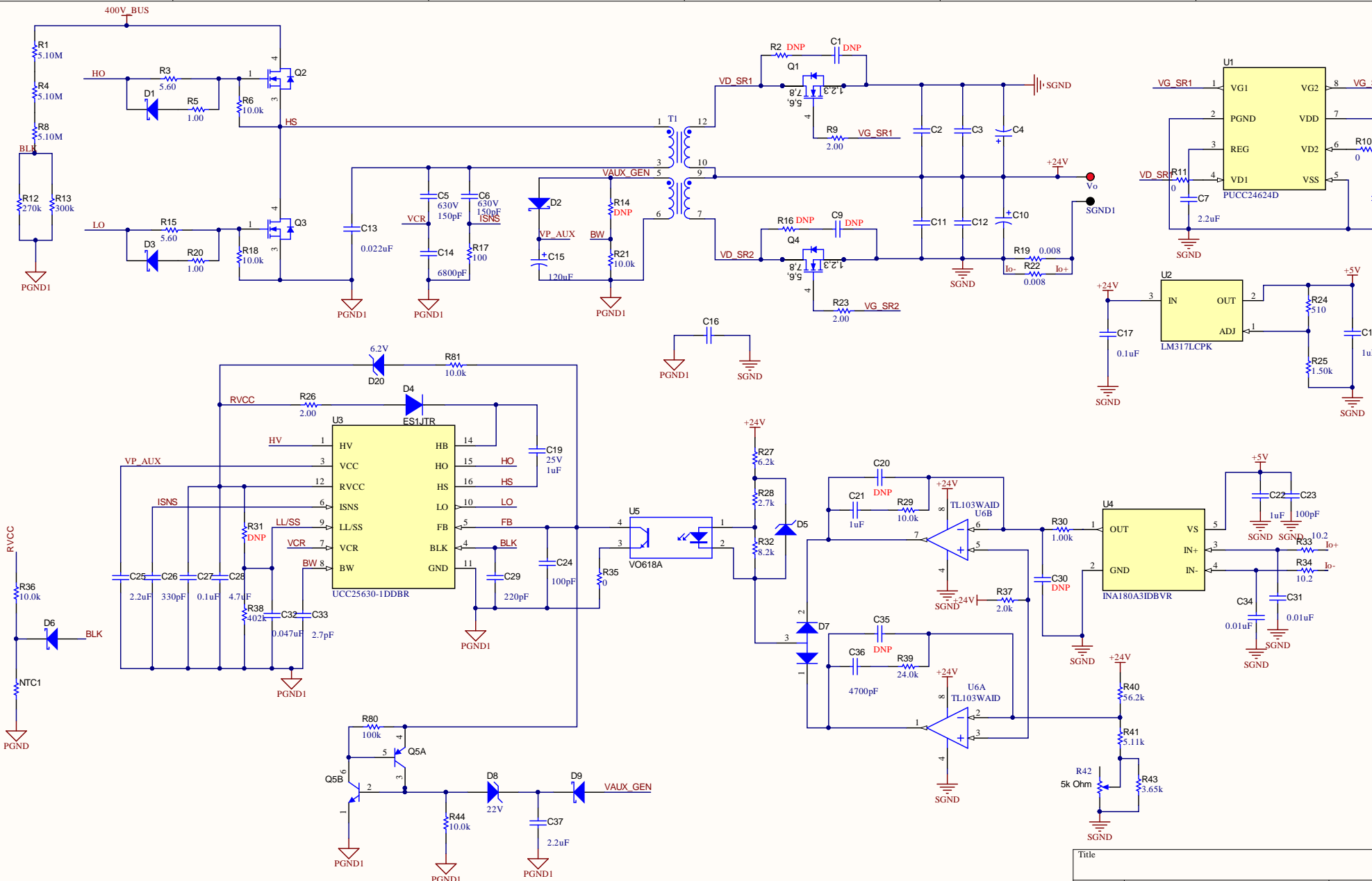
These assemblies must be clean and free from flux and all contaminants. Use of no clean flux is not acceptable.

ZZ4

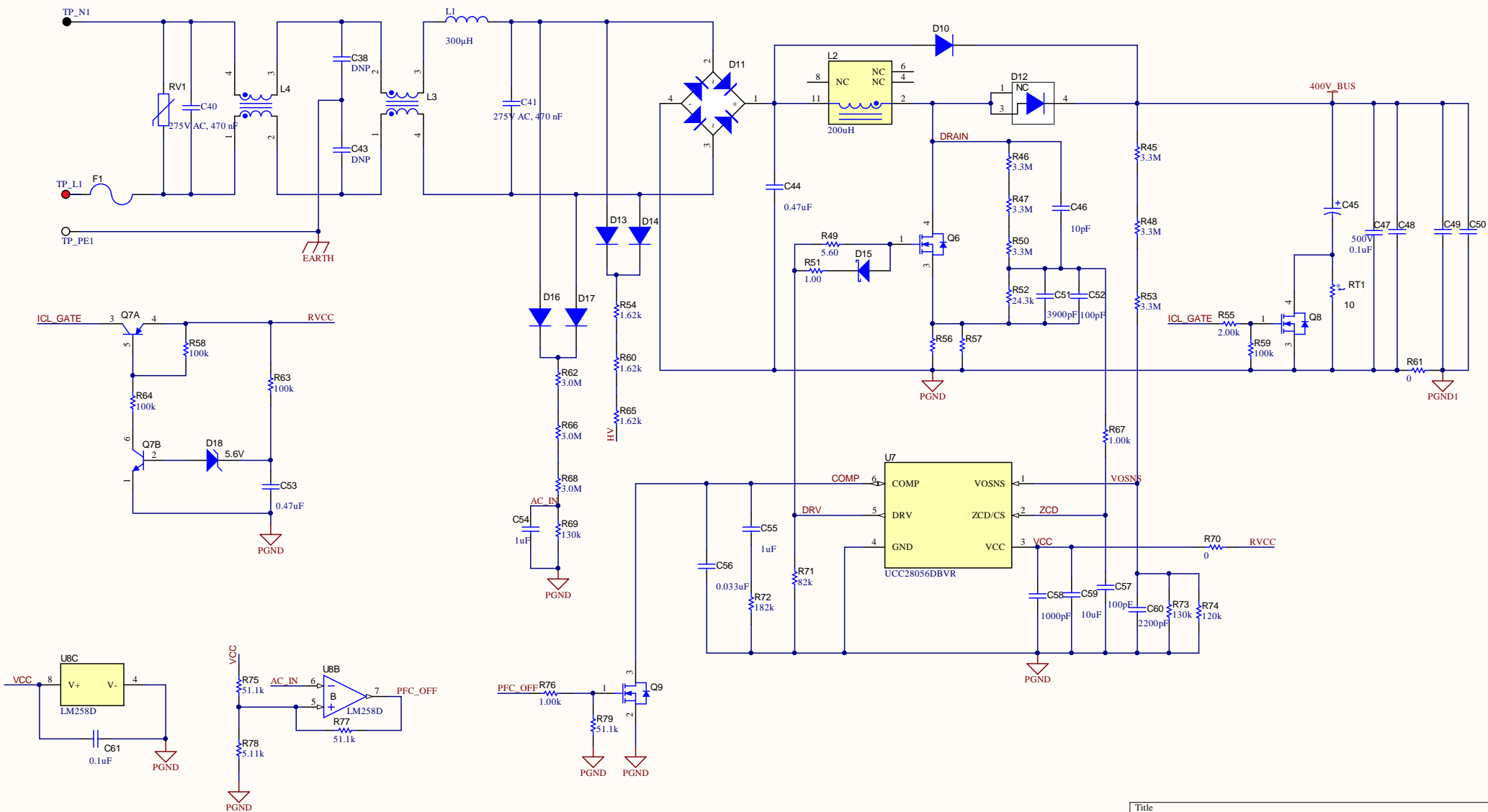
Assembly Note

These assemblies must comply with workmanship standards IPC-A-610 Class 2, unless otherwise specified.

Title		
Size A4	Number TIDA-010038.	Revision
Date:	2019/1/5	Sheet of
File:	C:\Users\...\Hardware.SchDoc	Drawn By:



Title		
Size	Number TIDA-010038.	Revision
B		
Date:	2019/1/5	Sheet of
File:	C:\Users\...LLC_stage.SchDoc	Drawn By:



Title		
Size	Number TIDA-010038.	Revision
Date:	2019/1/5	Sheet of
File:	C:\Users\...\PFC_stage.SchDoc	Drawn By:

## IMPORTANT NOTICE AND DISCLAIMER

TI PROVIDES TECHNICAL AND RELIABILITY DATA (INCLUDING DATASHEETS), DESIGN RESOURCES (INCLUDING REFERENCE DESIGNS), APPLICATION OR OTHER DESIGN ADVICE, WEB TOOLS, SAFETY INFORMATION, AND OTHER RESOURCES "AS IS" AND WITH ALL FAULTS, AND DISCLAIMS ALL WARRANTIES, EXPRESS AND IMPLIED, INCLUDING WITHOUT LIMITATION ANY IMPLIED WARRANTIES OF MERCHANTABILITY, FITNESS FOR A PARTICULAR PURPOSE OR NON-INFRINGEMENT OF THIRD PARTY INTELLECTUAL PROPERTY RIGHTS.

These resources are intended for skilled developers designing with TI products. You are solely responsible for (1) selecting the appropriate TI products for your application, (2) designing, validating and testing your application, and (3) ensuring your application meets applicable standards, and any other safety, security, or other requirements. These resources are subject to change without notice. TI grants you permission to use these resources only for development of an application that uses the TI products described in the resource. Other reproduction and display of these resources is prohibited. No license is granted to any other TI intellectual property right or to any third party intellectual property right. TI disclaims responsibility for, and you will fully indemnify TI and its representatives against, any claims, damages, costs, losses, and liabilities arising out of your use of these resources.

TI's products are provided subject to TI's Terms of Sale ([www.ti.com/legal/termsofsale.html](http://www.ti.com/legal/termsofsale.html)) or other applicable terms available either on [ti.com](http://ti.com) or provided in conjunction with such TI products. TI's provision of these resources does not expand or otherwise alter TI's applicable warranties or warranty disclaimers for TI products.

Mailing Address: Texas Instruments, Post Office Box 655303, Dallas, Texas 75265  
Copyright © 2019, Texas Instruments Incorporated