

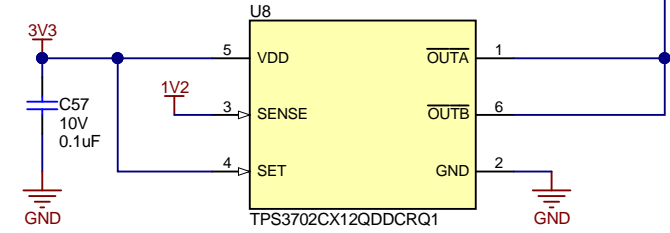
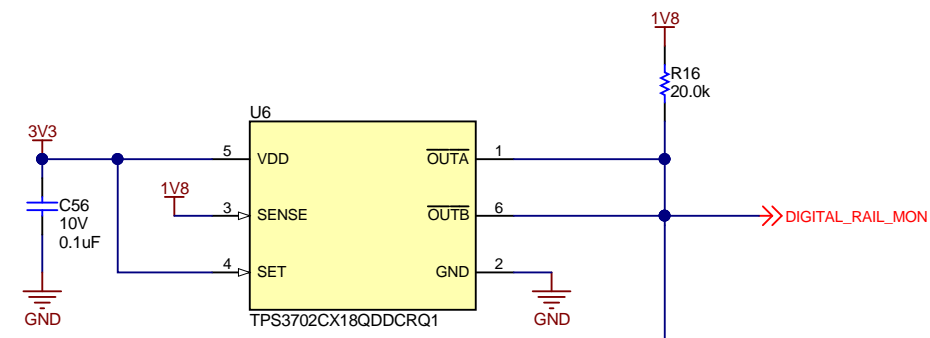
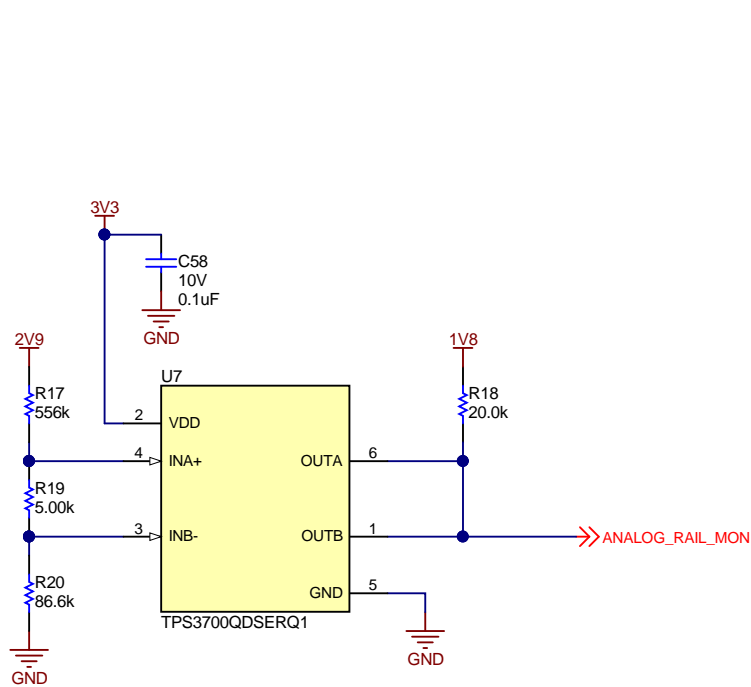
COAX CONNECTOR, POWER SUPPLY

Texas Instruments and/or its licensors do not warrant the accuracy or completeness of this specification or any information contained therein. Texas Instruments and/or its licensors do not warrant that this design will meet the specifications, will be suitable for your application or fit for any particular purpose, or will operate in an implementation. Texas Instruments and/or its licensors do not warrant that the design is production worthy. You should completely validate and test your design implementation to confirm the system functionality for your application.

Number: TIDA-020002	Rev: E1	Designed for: Public Release	Mod. Date: 10/18/2018
SVN Rev: Version control disabled		Project Title: TIDA-020002	
Drawn By: Jeramie Bianchi		Sheet Title: Coax Connector and Power Supply	
Engineer: Jeramie Bianchi		Assembly Variant: 001	Sheet: 1 of 5
		File: Coax Connection and Power Supply.SchDoc	Size: B
		Contact: http://www.ti.com/support	



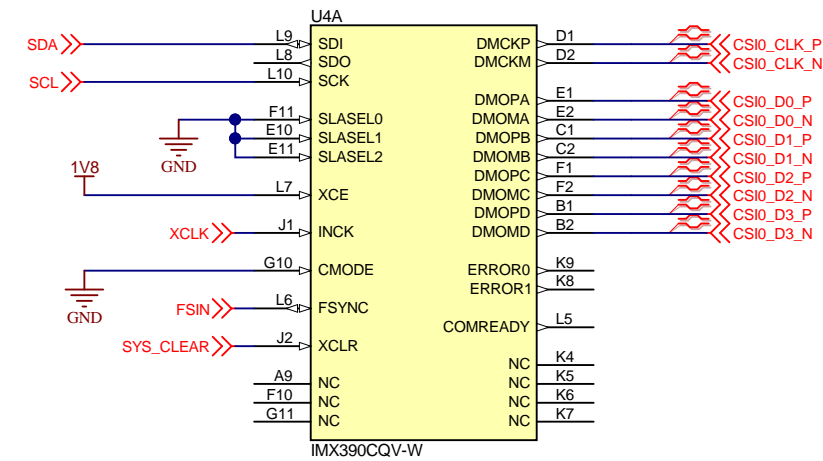
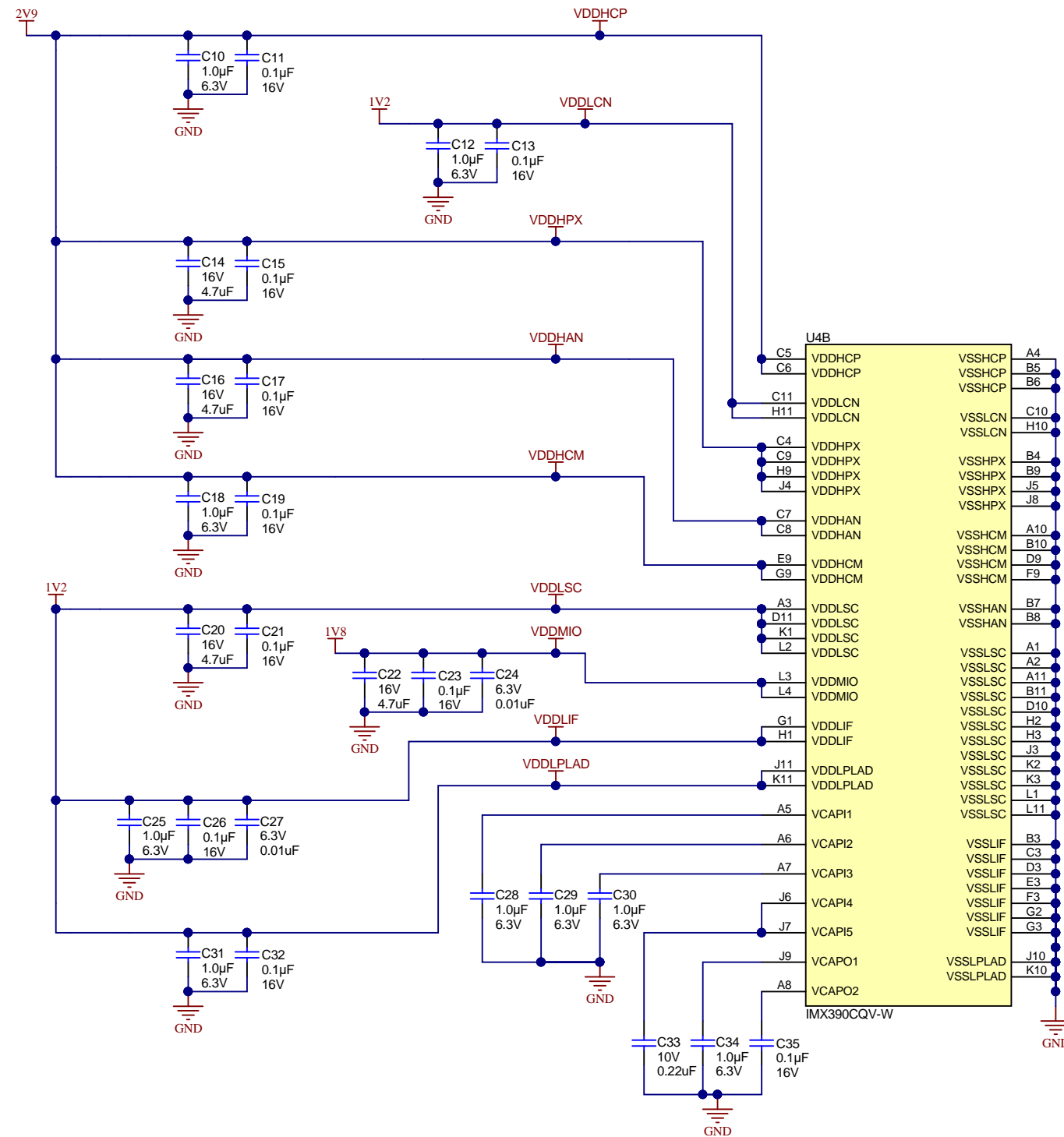
© Texas Instruments 2017



Texas Instruments and/or its licensors do not warrant the accuracy or completeness of this specification or any information contained therein. Texas Instruments and/or its licensors do not warrant that this design will meet the specifications, will be suitable for your application or fit for any particular purpose, or will operate in an implementation. Texas Instruments and/or its licensors do not warrant that the design is production worthy. You should completely validate and test your design implementation to confirm the system functionality for your application.

Orderable: EVM_orderable	Designed for: Public Release	Mod. Date: 10/18/2018
TID #: TID	Project Title: TIDA-020002	
Number: TIDA-020002	Rev: E1	Sheet Title: Voltage Supervision
SVN Rev: Version control disabled	Assembly Variant: 001	Sheet: 2 of 5
Drawn By: Jeramie Bianchi	File: Voltage Supervision.SchDoc	Size: B
Engineer: Jeramie Bianchi	Contact: http://www.ti.com/support	





I2C Address = 0011010x
I2C Address = 0x1A

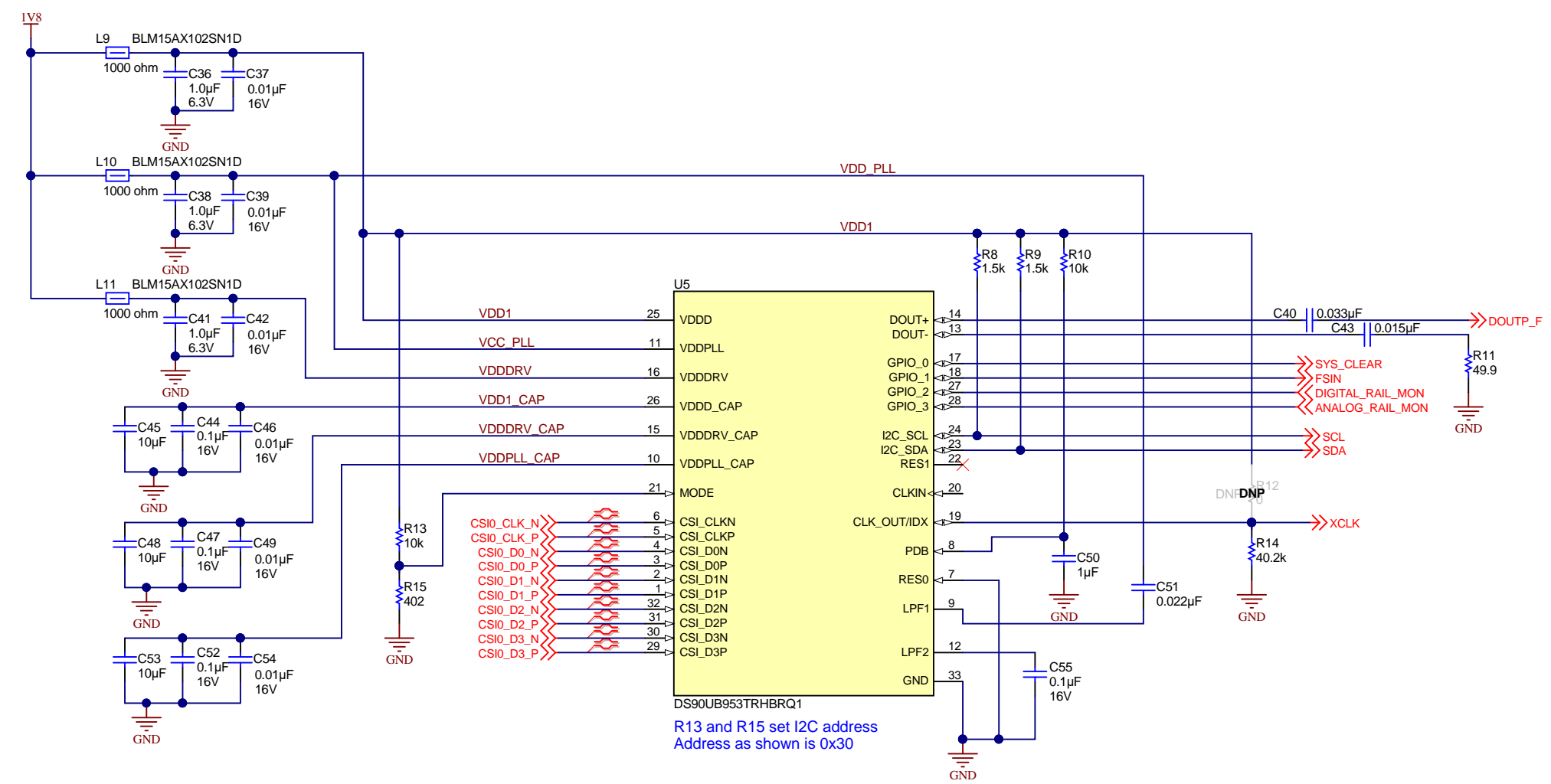
Image Sensor

Texas Instruments and/or its licensors do not warrant the accuracy or completeness of this specification or any information contained therein. Texas Instruments and/or its licensors do not warrant that this design will meet the specifications, will be suitable for your application or fit for any particular purpose, or will operate in an implementation. Texas Instruments and/or its licensors do not warrant that the design is production worthy. You should completely validate and test your design implementation to confirm the system functionality for your application.

Number: TIDA-020002 Rev: E1
SVN Rev: Version control disabled
Drawn By: Jeramie Bianchi
Engineer: Jeramie Bianchi

Designed for: Public Release Mod. Date: 10/18/2018
Project Title: TIDA-020002
Sheet Title: Image Sensor
Assembly Variant: 001 Sheet: 3 of 5
File: Imager.SchDoc Size: B
Contact: <http://www.ti.com/support>





SERIALIZER

Texas Instruments and/or its licensors do not warrant the accuracy or completeness of this specification or any information contained therein. Texas Instruments and/or its licensors do not warrant that this design will meet the specifications, will be suitable for your application or fit for any particular purpose, or will operate in an implementation. Texas Instruments and/or its licensors do not warrant that the design is production worthy. You should completely validate and test your design implementation to confirm the system functionality for your application.

Number: TIDA-020002	Rev: E1	Designed for: Public Release	Mod. Date: 10/18/2018
SVN Rev: Version control disabled	Sheet: 4 of 5	Project Title: TIDA-020002	Sheet Title: Serializer
Drawn By: Jeramie Bianchi	Engineer: Jeramie Bianchi	Assembly Variant: 001	File: Serializer.SchDoc
Contact: http://www.ti.com/support	Size: B		

LH1
MECH
CMT821

ZZ1

Assembly Note

These assemblies are ESD sensitive, ESD precautions shall be observed.

ZZ2

Assembly Note

These assemblies must be clean and free from flux and all contaminants. Use of no clean flux is not acceptable.

ZZ3

Assembly Note


These assemblies must comply with workmanship standards IPC-A-610 Class 2, unless otherwise specified.



PCB Number: TIDA-020002
PCB Rev: E1

PCB
LOGO
Texas Instruments

Hardware

Designed for: Public Release	Mod. Date: 10/18/2018	
Project Title: TIDA-020002		
Sheet Title: Hardware		
Assembly Variant: 001	Sheet: 5 of 5	
File: HDWR.SchDoc	Size: B	
Number: TIDA-020002	Rev: E1	http://www.ti.com
SVN Rev: Version control disabled		© Texas Instruments 2017
Drawn By: Jeramie Bianchi		
Engineer: Jeramie Bianchi	Contact: http://www.ti.com/support	

Texas Instruments and/or its licensors do not warrant the accuracy or completeness of this specification or any information contained therein. Texas Instruments and/or its licensors do not warrant that this design will meet the specifications, will be suitable for your application or fit for any particular purpose, or will operate in an implementation. Texas Instruments and/or its licensors do not warrant that the design is production worthy. You should completely validate and test your design implementation to confirm the system functionality for your application.

IMPORTANT NOTICE AND DISCLAIMER

TI PROVIDES TECHNICAL AND RELIABILITY DATA (INCLUDING DATASHEETS), DESIGN RESOURCES (INCLUDING REFERENCE DESIGNS), APPLICATION OR OTHER DESIGN ADVICE, WEB TOOLS, SAFETY INFORMATION, AND OTHER RESOURCES "AS IS" AND WITH ALL FAULTS, AND DISCLAIMS ALL WARRANTIES, EXPRESS AND IMPLIED, INCLUDING WITHOUT LIMITATION ANY IMPLIED WARRANTIES OF MERCHANTABILITY, FITNESS FOR A PARTICULAR PURPOSE OR NON-INFRINGEMENT OF THIRD PARTY INTELLECTUAL PROPERTY RIGHTS.

These resources are intended for skilled developers designing with TI products. You are solely responsible for (1) selecting the appropriate TI products for your application, (2) designing, validating and testing your application, and (3) ensuring your application meets applicable standards, and any other safety, security, or other requirements. These resources are subject to change without notice. TI grants you permission to use these resources only for development of an application that uses the TI products described in the resource. Other reproduction and display of these resources is prohibited. No license is granted to any other TI intellectual property right or to any third party intellectual property right. TI disclaims responsibility for, and you will fully indemnify TI and its representatives against, any claims, damages, costs, losses, and liabilities arising out of your use of these resources.

TI's products are provided subject to TI's Terms of Sale (www.ti.com/legal/termsofsale.html) or other applicable terms available either on ti.com or provided in conjunction with such TI products. TI's provision of these resources does not expand or otherwise alter TI's applicable warranties or warranty disclaimers for TI products.

Mailing Address: Texas Instruments, Post Office Box 655303, Dallas, Texas 75265
Copyright © 2019, Texas Instruments Incorporated