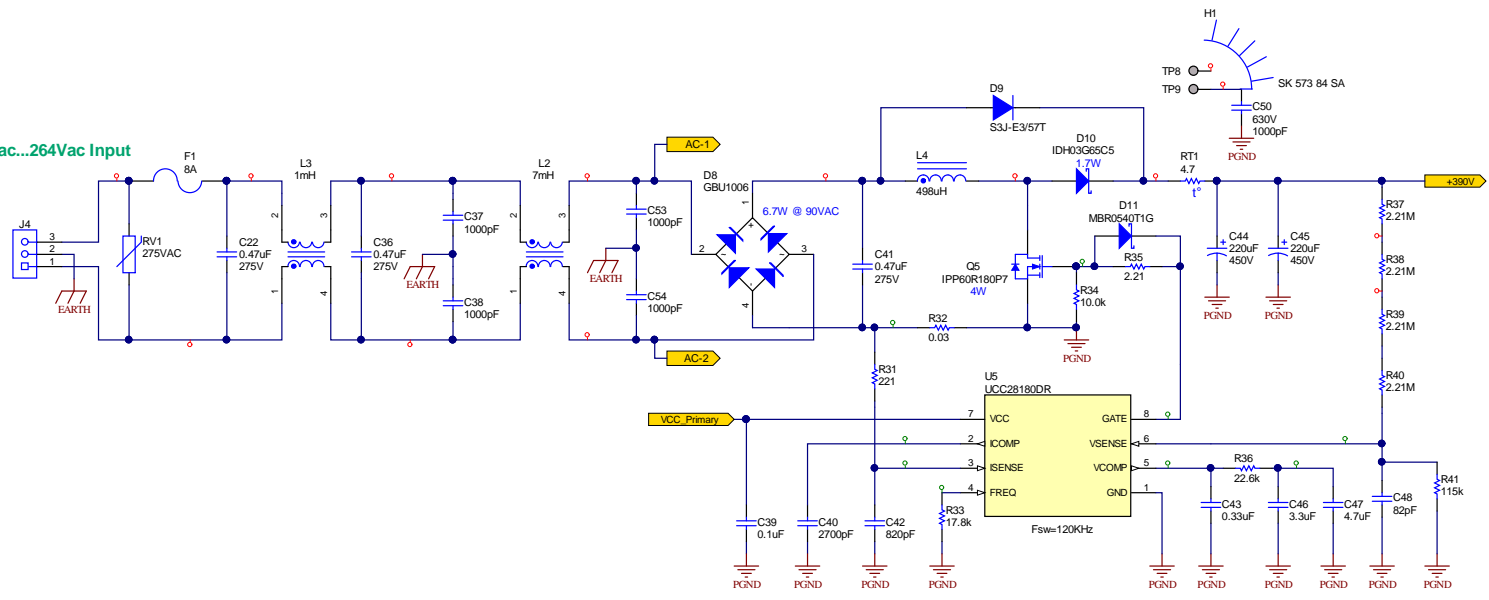


90Vac...264Vac Input

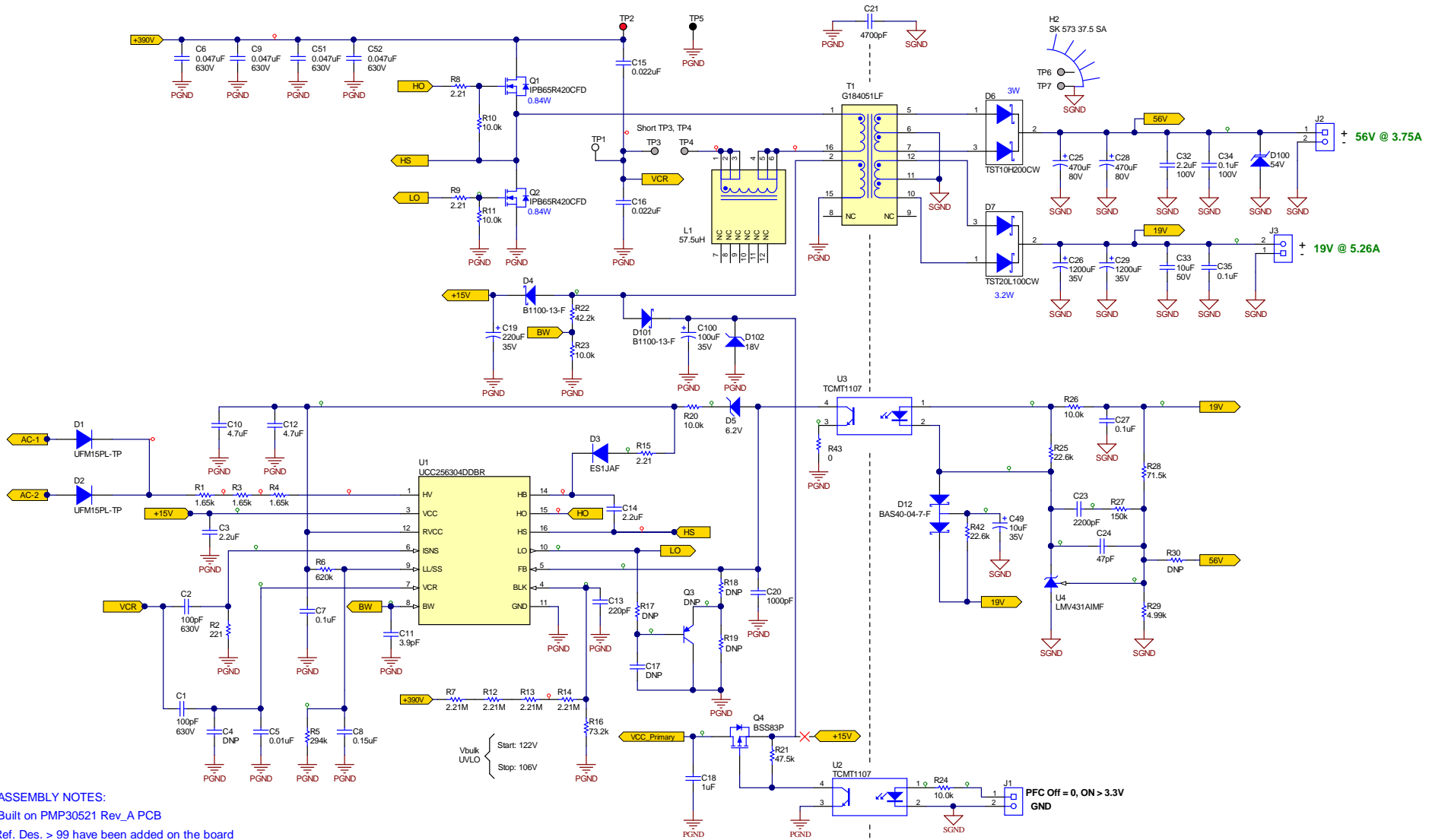


Texas Instruments and/or its licensors do not warrant the accuracy or completeness of this specification or any information contained therein. Texas Instruments and/or its licensors do not warrant that this design will meet the specifications, will be suitable for your application or fit for any particular purpose, or will operate in an implementation. Texas Instruments and/or its licensors do not warrant that the design is production worthy. You should completely validate and test your design implementation to confirm the system functionality for your application.

Orderable: EVM orderable	Designed for: Public Release	Mod. Date: 2/5/2019
TID #: N/A	Project Title: 90VAC, 264VAC, 310W LLC	
Number: PMP30521	Rev: B	Sheet Title: PFC Stage
SVN Rev: Version control disabled	Assembly Variant: [No Variations]	Sheet 1 of 3
Drawn By: R. Scibilia	File: PMP30521 Rev. B PFC Schematic.SchDoc	Size: B
Engineer: R. Scibilia	Contact: http://www.ti.com/support	



©Texas Instruments 2019



ASSEMBLY NOTES:

Built on PMP30521 Rev_A PCB

Ref. Des. > 99 have been added on the board

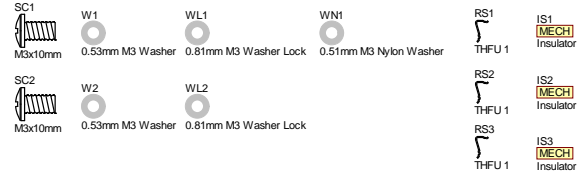
Disconnect pins 4 and 3 of U3 and route them twisted to pin 5 of U1

Disconnect Q4-R21 from "+15V" net and route it to C100

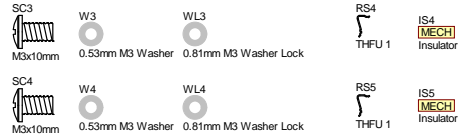
Texas Instruments and/or its licensors do not warrant the accuracy or completeness of this specification or any information contained therein. Texas Instruments and/or its licensors do not warrant that this design will meet the specifications, will be suitable for your application or fit for any particular purpose, or will operate in an implementation. Texas Instruments and/or its licensors do not warrant that the design is production worthy. You should completely validate and test your design implementation to confirm the system functionality for your application.

Orderable: EVM orderable	Designed for: Public Release	Mod. Date: 2/5/2019
TID #: N/A	Project Title: 90VAC, 264VAC, 310W LLC	
Number: PMP30521	Rev: B	Sheet Title: LLC Stage
SVN Rev: Version control disabled	Assembly Variant: [No Variations]	Sheet 2 of 3
Drawn By: R. Scibilia	File: PMP30521 Rev. B LLC Schematic.SchDoc	Size: B
Engineer: R. Scibilia	Contact: http://www.ti.com/support	





Fix D8, Q5 and D10 on H1 with 3 x RS1...3 + 3 x IS1...3
 Fix H1 on PCB with SC1+W1+WL1 + WN1 on TP8 and SC2+W2+WL2 on TP9
 Insert WN1 so that W1 does not touch the PCB



Fix D6 and D7 on H2 with RS4 and R65, with insulators IS4 and IS5
 Fix H2 on PCB with SC3+W3+WL3 and SC4+W4+WL4

Texas Instruments and/or its licensors do not warrant the accuracy or completeness of this specification or any information contained therein. Texas Instruments and/or its licensors do not warrant that this design will meet the specifications, will be suitable for your application or fit for any particular purpose, or will operate in an implementation. Texas Instruments and/or its licensors do not warrant that the design is production worthy. You should completely validate and test your design implementation to confirm the system functionality for your application.

Orderable: EVM orderable	Designed for: Public Release	Mod. Date: 2/5/2019
TID #: N/A	Project Title: 90VAC-264VAC 310W LLC	
Number: PMP30521 Rev. B	Sheet Title: Hardware	
SVN Rev. Version control disabled	Assembly Variant: [No Variations]	Sheet: 3 of 3
Drawn By: R. Scibilia	File: PMP30521 Rev. B Hardware SchDoc	Size: B
Engineer: R. Scibilia	Contact: http://www.ti.com/support	

IMPORTANT NOTICE AND DISCLAIMER

TI PROVIDES TECHNICAL AND RELIABILITY DATA (INCLUDING DATASHEETS), DESIGN RESOURCES (INCLUDING REFERENCE DESIGNS), APPLICATION OR OTHER DESIGN ADVICE, WEB TOOLS, SAFETY INFORMATION, AND OTHER RESOURCES "AS IS" AND WITH ALL FAULTS, AND DISCLAIMS ALL WARRANTIES, EXPRESS AND IMPLIED, INCLUDING WITHOUT LIMITATION ANY IMPLIED WARRANTIES OF MERCHANTABILITY, FITNESS FOR A PARTICULAR PURPOSE OR NON-INFRINGEMENT OF THIRD PARTY INTELLECTUAL PROPERTY RIGHTS.

These resources are intended for skilled developers designing with TI products. You are solely responsible for (1) selecting the appropriate TI products for your application, (2) designing, validating and testing your application, and (3) ensuring your application meets applicable standards, and any other safety, security, or other requirements. These resources are subject to change without notice. TI grants you permission to use these resources only for development of an application that uses the TI products described in the resource. Other reproduction and display of these resources is prohibited. No license is granted to any other TI intellectual property right or to any third party intellectual property right. TI disclaims responsibility for, and you will fully indemnify TI and its representatives against, any claims, damages, costs, losses, and liabilities arising out of your use of these resources.

TI's products are provided subject to TI's Terms of Sale (www.ti.com/legal/termsofsale.html) or other applicable terms available either on ti.com or provided in conjunction with such TI products. TI's provision of these resources does not expand or otherwise alter TI's applicable warranties or warranty disclaimers for TI products.

Mailing Address: Texas Instruments, Post Office Box 655303, Dallas, Texas 75265
Copyright © 2019, Texas Instruments Incorporated