

4-20mA CURRENT LOOP TRANSMITTERS

FEATURES

- LOW QUIESCENT CURRENT: 200µA
- 5V REGULATOR FOR EXTERNAL CIRCUITS
- V_{REF} FOR SENSOR EXCITATION:
XTR115: 2.5V
XTR116: 4.096V
- LOW SPAN ERROR: 0.05%
- LOW NONLINEARITY ERROR: 0.003%
- WIDE LOOP SUPPLY RANGE: 7.5V to 36V
- SO-8 PACKAGE

DESCRIPTION

The XTR115 and XTR116 are precision current output converters designed to transmit analog 4-to-20mA signals over an industry standard current loop. They provide accurate current scaling and output current limit functions.

The on-chip voltage regulator (5V) can be used to power external circuitry. A precision on-chip V_{REF} (2.5V for XTR115 and 4.096V for XTR116) can be

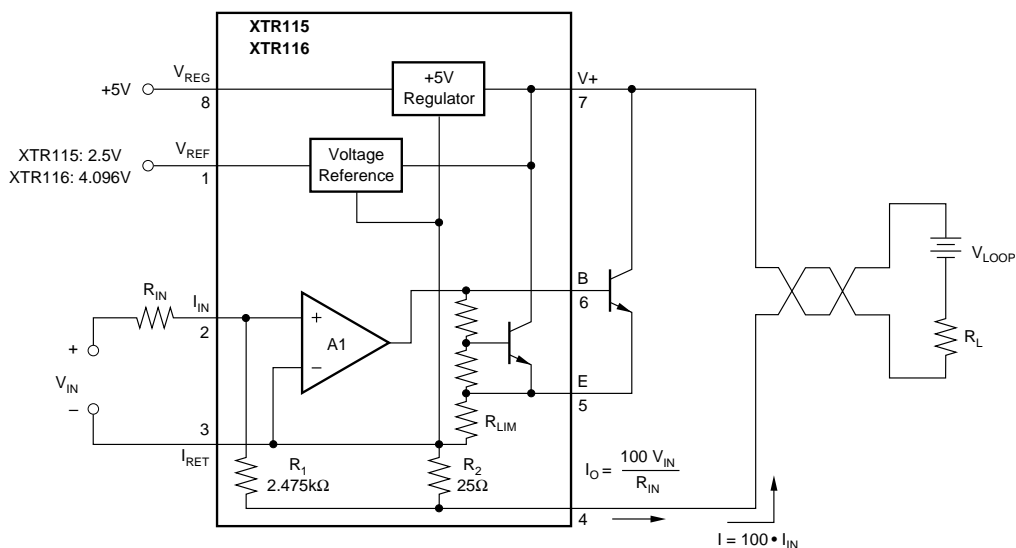
APPLICATIONS

- 2-WIRE, 4-20mA CURRENT LOOP TRANSMITTER
- SMART TRANSMITTER
- INDUSTRIAL PROCESS CONTROL
- TEST SYSTEMS
- COMPATIBLE WITH HART MODEM
- CURRENT AMPLIFIER
- VOLTAGE-TO-CURRENT AMPLIFIER

used for offsetting or to excite transducers. A current return pin (I_{RET}) senses any current used in external circuitry to assure an accurate control of the output current.

The XTR115 is a fundamental building block of smart sensors using 4-to-20mA current transmission.

The XTR115 and XTR116 are specified for operation over the extended industrial temperature range, -40°C to $+85^{\circ}\text{C}$.



Please be aware that an important notice concerning availability, standard warranty, and use in critical applications of Texas Instruments semiconductor products and disclaimers thereto appears at the end of this data sheet.

All trademarks are the property of their respective owners.

SPECIFICATIONS

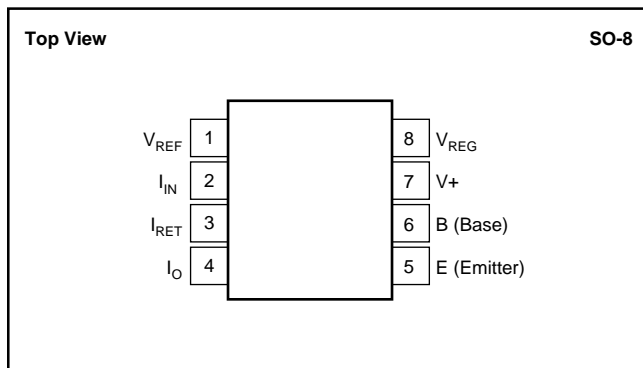
At $T_A = +25^\circ\text{C}$, $V_+ = 24\text{V}$, $R_{IN} = 20\text{k}\Omega$, and TIP29C external transistor, unless otherwise noted.

PARAMETER	CONDITIONS	XTR115U XTR116U			XTR115UA XTR116UA			UNITS
		MIN	TYP	MAX	MIN	TYP	MAX	
OUTPUT								
Output Current Equation	I_O		$I_O = I_{IN} \cdot 100$					
Output Current, Linear Range		0.25		25	*	*	*	mA
Over-Scale Limit	I_{LIM}		32			*	*	mA
Under-Scale Limit	I_{MIN}		0.2	0.25		*	*	mA
	$I_{REG} = 0, I_{REF} = 0$							
SPAN								
Span (Current Gain)	S		100			*	*	A/A
Error ⁽¹⁾			± 0.05	± 0.2		*	± 0.4	%
vs Temperature			± 3	± 20		*	*	ppm/ $^\circ\text{C}$
Nonlinearity			± 0.003	± 0.01		*	± 0.02	%
	$I_{IN} = 250\mu\text{A}$ to 25mA $T_A = -40^\circ\text{C}$ to $+85^\circ\text{C}$ $I_{IN} = 250\mu\text{A}$ to 25mA							
INPUT								
Offset Voltage (Op Amp)	V_{OS}		± 100	± 250		*	± 500	μV
vs Temperature			± 0.7	± 3		*	± 6	$\mu\text{V}/^\circ\text{C}$
vs Supply Voltage, V_+			± 0.1	± 2		*	*	$\mu\text{V}/\text{V}$
Bias Current	I_B		-35			*	*	nA
vs Temperature			150			*	*	pA/ $^\circ\text{C}$
Noise: 0.1Hz to 10Hz	e_n		0.6			*	*	$\mu\text{Vp-p}$
	$I_{IN} = 40\mu\text{A}$ $T_A = -40^\circ\text{C}$ to $+85^\circ\text{C}$ $V_+ = 7.5\text{V}$ to 36V							
DYNAMIC RESPONSE								
Small Signal Bandwidth	$C_{LOOP} = 0, R_L = 0$		380			*		kHz
Slew Rate			3.2			*		mA/ μs
$V_{REF}^{(2)}$								
XTR115			2.5			*		V
XTR116			4.096			*		V
Voltage Accuracy			± 0.05	± 0.25		*	± 0.5	%
vs Temperature			± 20	± 35		*	± 75	ppm/ $^\circ\text{C}$
vs Supply Voltage, V_+			± 1	± 10		*	*	ppm/V
vs Load			± 100			*	*	ppm/mA
Noise: 0.1Hz to 10Hz			10			*	*	$\mu\text{Vp-p}$
Short-Circuit Current			16			*	*	mA
	$I_{REF} = 0$ $T_A = -40^\circ\text{C}$ to $+85^\circ\text{C}$ $V_+ = 7.5\text{V}$ to 36V $I_{REF} = 0\text{mA}$ to 2.5mA							
$V_{REG}^{(2)}$								
Voltage			5			*	*	V
Voltage Accuracy			± 0.05	± 0.1		*	*	V
vs Temperature			± 0.1			*	*	mV/ $^\circ\text{C}$
vs Supply Voltage, V_+			1			*	*	mV/V
vs Output Current			See Typical Curves			*	*	mA
Short-Circuit Current			12			*	*	mA
	$I_{REG} = 0$ $T_A = -40^\circ\text{C}$ to $+85^\circ\text{C}$ $V_+ = 7.5\text{V}$ to 36V							
POWER SUPPLY	V_+							
Specified			+24			*	*	V
Voltage Range		+7.5		+36	*		*	V
Quiescent Current			200	250		*	*	μA
Over Temperature, -40°C to $+85^\circ\text{C}$			240	300		*	*	μA
TEMPERATURE RANGE								
Specification		-40		+85	*		*	$^\circ\text{C}$
Operating		-55		+125	*		*	$^\circ\text{C}$
Storage		-55		+125	*		*	$^\circ\text{C}$
Thermal Resistance	θ_{JA}		150			*	*	$^\circ\text{C}/\text{W}$

* Specifications the same as XTR115U and XTR116U.

NOTES: (1) Does not include initial error or TCR of R_{IN} . (2) Voltage measured with respect to I_{RET} pin.

PIN CONFIGURATION



PACKAGE/ORDERING INFORMATION

For the most current package and ordering information, see the Package Option Addendum located at the end of this data sheet.

ABSOLUTE MAXIMUM RATINGS⁽¹⁾

Power Supply, V_+ (referenced to I_O pin)	40V
Input Voltage (referenced to I_{RET} pin)	0V to V_+
Output Current Limit	Continuous
V_{REG} , Short-Circuit	Continuous
V_{REF} , Short-Circuit	Continuous
Operating Temperature	-55°C to +125°C
Storage Temperature Range	-55°C to +125°C
Lead Temperature (soldering, 10s)	+300°C
Junction Temperature	+165°C

NOTE: (1) Stresses above these ratings may cause permanent damage. Exposure to absolute maximum conditions for extended periods may degrade device reliability.



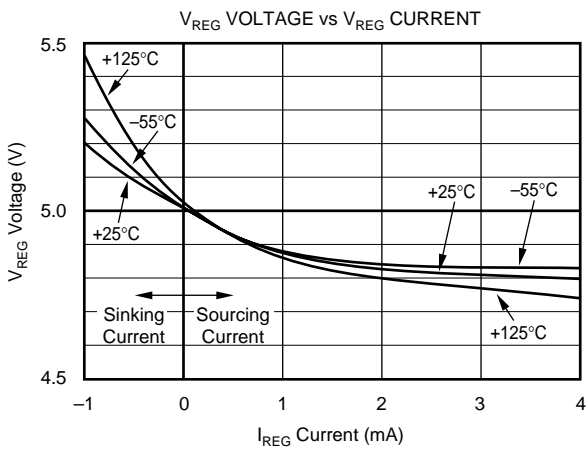
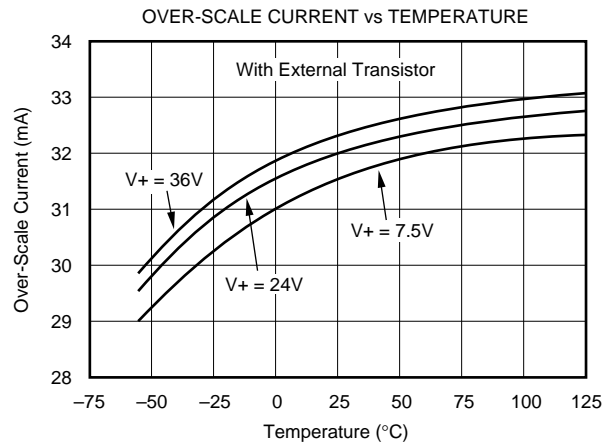
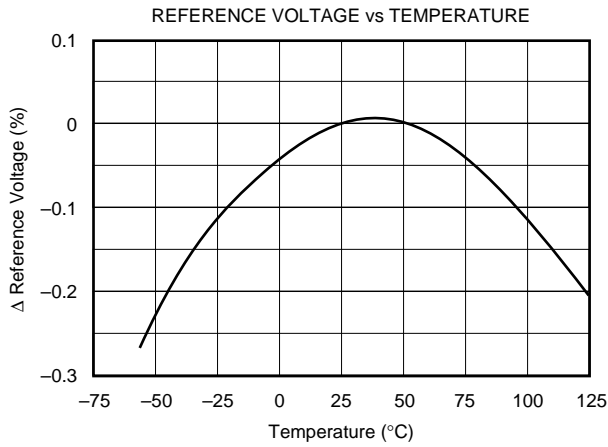
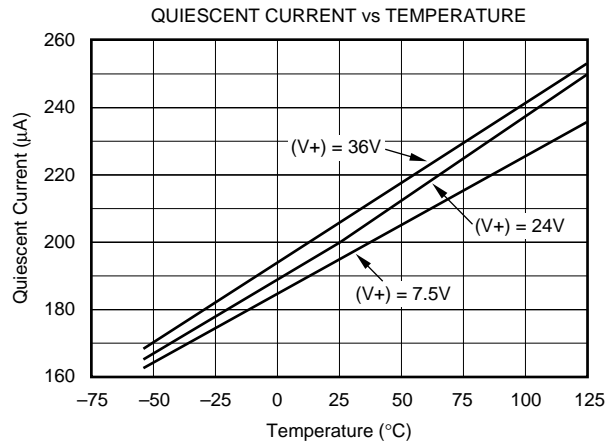
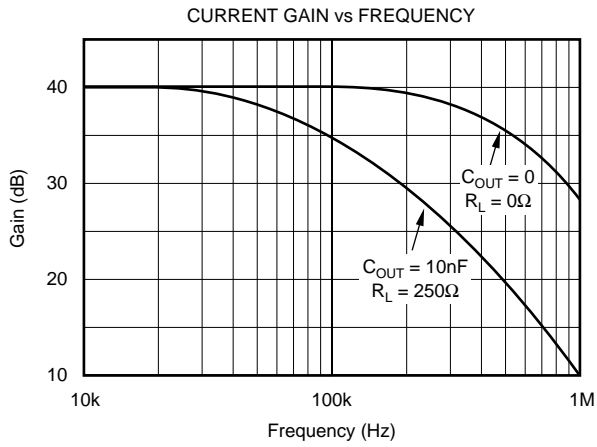
ELECTROSTATIC DISCHARGE SENSITIVITY

This integrated circuit can be damaged by ESD. Texas Instruments recommends that all integrated circuits be handled with appropriate precautions. Failure to observe proper handling and installation procedures can cause damage.

ESD damage can range from subtle performance degradation to complete device failure. Precision integrated circuits may be more susceptible to damage because very small parametric changes could cause the device not to meet its published specifications.

TYPICAL PERFORMANCE CURVES

At $T_A = +25^\circ\text{C}$, $V_+ = 24\text{V}$, $R_{IN} = 20\text{k}\Omega$, and TIP29C external transistor, unless otherwise noted.



APPLICATIONS INFORMATION

The XTR115 and XTR116 are identical devices except for the reference voltage output, pin 1. This voltage is available for external circuitry and is not used internally. Further discussions that apply to both devices will refer to the “XTR115/6.”

Figure 1 shows basic circuit connections with representative simplified input circuitry. The XTR115/6 is a two-wire current transmitter. Its input signal (pin 2) controls the output current. A portion of this current flows into the V+ power supply, pin 7. The remaining current flows in Q1. External input circuitry connected to the XTR115/6 can be powered from V_{REG} or V_{REF}. Current drawn from these terminals must be returned to I_{RET}, pin 3. This I_{RET} pin is a “local ground” for input circuitry driving the XTR115/6.

The XTR115/6 is a current-input device with a gain of 100. A current flowing into pin 2 produces I_O = 100 • I_{IN}. The input voltage at the I_{IN} pin is zero (referred to the I_{RET} pin). A voltage input is created with an external input resistor, as shown. Common full-scale input voltages range from 1V

and upward. Full-scale inputs greater than 0.5V are recommended to minimize the effect of offset voltage and drift of A1.

EXTERNAL TRANSISTOR

The external transistor, Q1, conducts the majority of the full-scale output current. Power dissipation in this transistor can approach 0.8W with high loop voltage (40V) and 20mA output current. The XTR115/6 is designed to use an external transistor to avoid on-chip thermal-induced errors. Heat produced by Q1 will still cause ambient temperature changes that can affect the XTR115/6. To minimize these effects, locate Q1 away from sensitive analog circuitry, including XTR115/6. Mount Q1 so that heat is conducted to the outside of the transducer housing.

The XTR115/6 is designed to use virtually any NPN transistor with sufficient voltage, current and power rating. Case style and thermal mounting considerations often influence the choice for any given application. Several possible choices are listed in Figure 1. A MOSFET transistor will not improve the accuracy of the XTR115/6 and is not recommended.

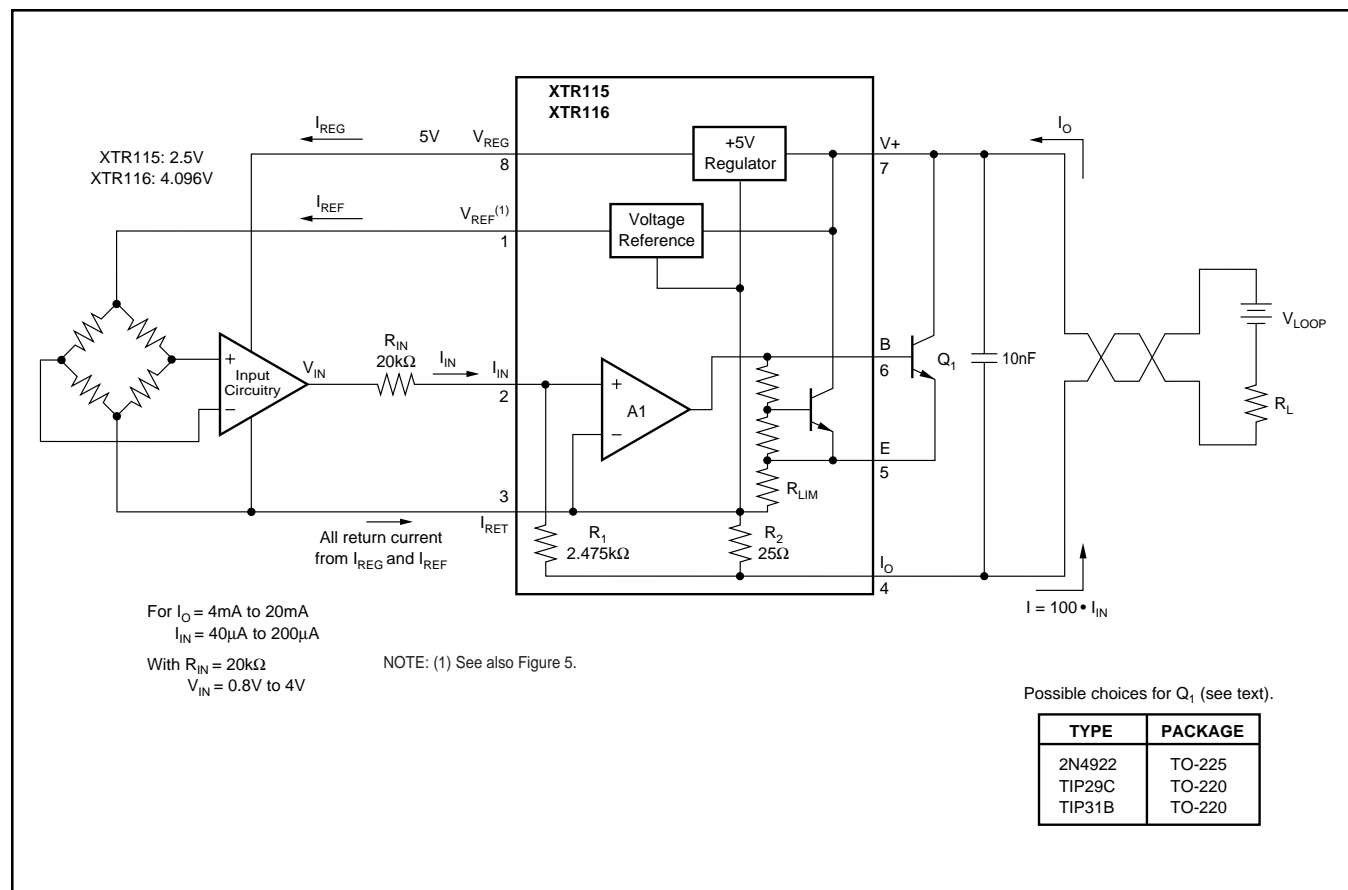


FIGURE 1. Basic Circuit Connections.

MINIMUM-SCALE CURRENT

The quiescent current of the XTR115/6 (typically 200 μ A) is the lower limit of its output current. Zero input current ($I_{IN} = 0$) will produce an I_O equal to the quiescent current. Output current will not begin to increase until $I_{IN} > I_Q/100$. Current drawn from V_{REF} or V_{REG} will add to this minimum output current. This means that more than 3.7mA is available to power external circuitry while still allowing the output current to go below 4mA.

OFFSETTING THE INPUT

A low scale of 4mA is produced by creating a 40 μ A input current. This can be created with the proper value resistor from V_{REF} (Figure 2), or by generating offset in the input drive circuitry.

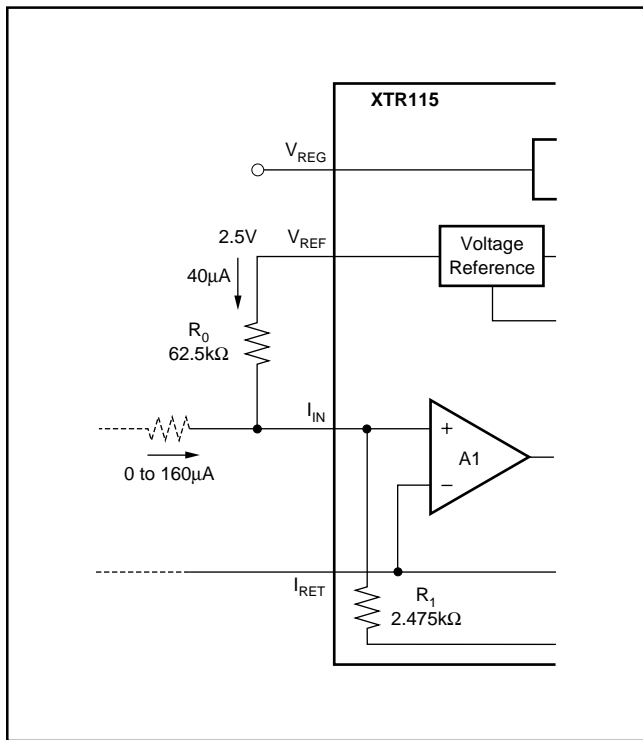


FIGURE 2. Creating Low-Scale Offset.

MAXIMUM OUTPUT CURRENT

The XTR115/6 provides accurate, linear output up to 25mA. Internal circuitry limits the output current to approximately 32mA to protect the transmitter and loop power/measurement circuitry.

It is possible to extend the output current range of the XTR115/6 by connecting an external resistor from pin 3 to pin 5, to change the current limit value. Since all output current must flow through internal resistors, it is possible to damage with excessive current. Output currents greater than 45mA may cause permanent damage.

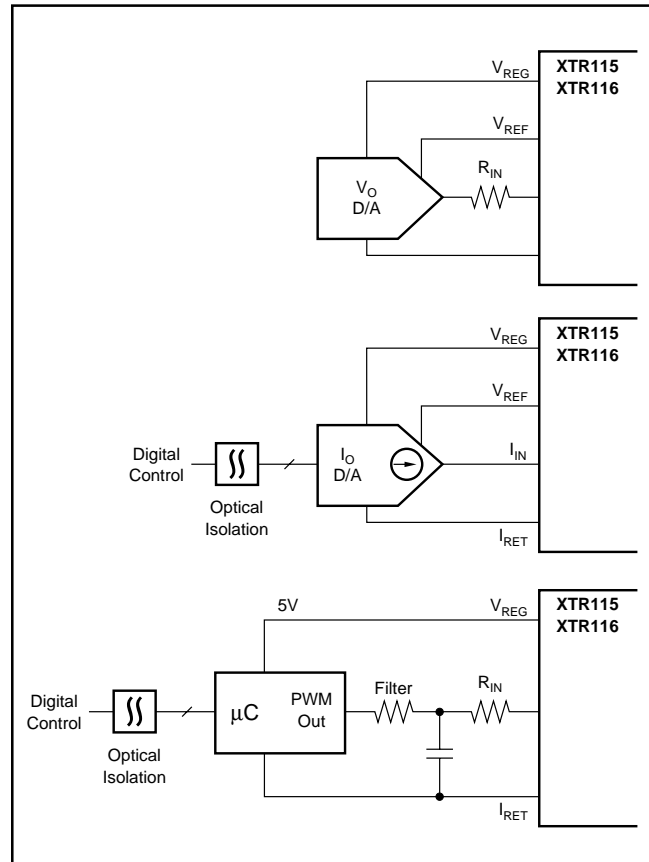


FIGURE 3. Digital Control Methods.

REVERSE-VOLTAGE PROTECTION

The XTR115/6 low compliance voltage rating (7.5V) permits the use of various voltage protection methods without compromising operating range. Figure 4 shows a diode bridge circuit which allows normal operation even when the voltage connection lines are reversed. The bridge causes a two diode drop (approximately 1.4V) loss in loop supply voltage. This results in a compliance voltage of approximately 9V—satisfactory for most applications. A diode can be inserted in series with the loop supply voltage and the V+ pin to protect against reverse output connection lines with only a 0.7V loss in loop supply voltage.

OVER-VOLTAGE SURGE PROTECTION

Remote connections to current transmitters can sometimes be subjected to voltage surges. It is prudent to limit the maximum surge voltage applied to the XTR115/6 to as low as practical. Various zener diode and surge clamping diodes are specially designed for this purpose. Select a clamp diode with as low a voltage rating as possible for best protection. For example, a 36V protection diode will assure proper transmitter operation at normal loop voltages, yet will provide an appropriate level of protection against voltage surges. Characterization tests on several production lots showed no damage with loop supply voltages up to 65V.

Most surge protection zener diodes have a diode characteristic in the forward direction that will conduct excessive current, possibly damaging receiving-side circuitry if the loop connections are reversed. If a surge protection diode is used, a series diode or diode bridge should be used for protection against reversed connections.

RADIO FREQUENCY INTERFERENCE

The long wire lengths of current loops invite radio frequency interference. RF can be rectified by the input circuitry of the XTR115/6 or preceding circuitry. This generally appears as an unstable output current that varies with the position of loop supply or input wiring.

Interference may also enter at the input terminals. For integrated transmitter assemblies with short connection to the sensor, the interference more likely comes from the current loop connections.

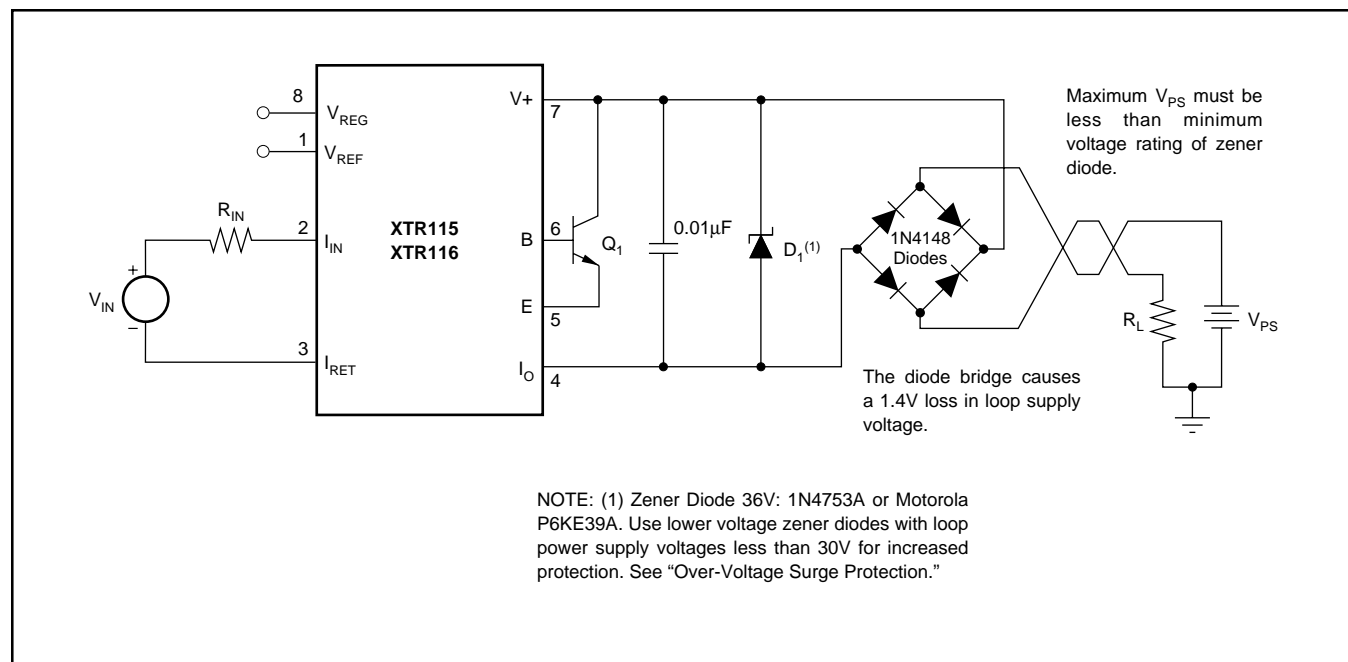
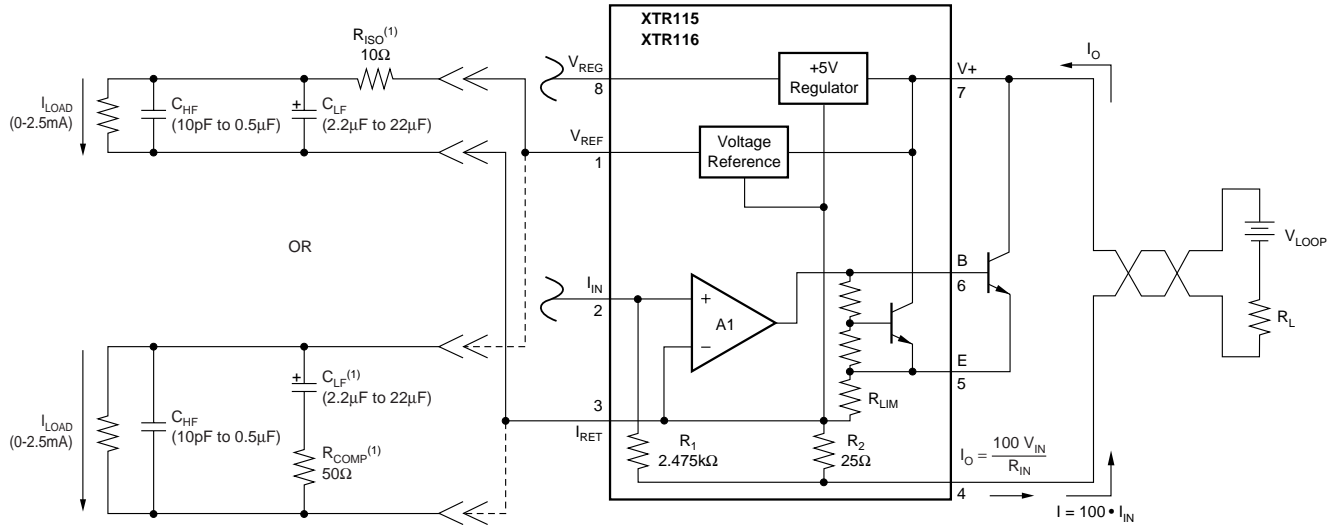


FIGURE 4. Reverse Voltage Operation and Over-Voltage Surge Protection.

If capacitive loading must be placed on the V_{REF} pin, one of the compensation schemes shown below must be used to ensure stable operation. Values of capacitance must remain within the given ranges.



NOTE: (1) Required compensation components.

FIGURE 5. Stable Operation with Capacitive Load on V_{REF}

PACKAGING INFORMATION

Orderable Device	Status (1)	Package Type	Package Drawing	Pins	Package Qty	Eco Plan (2)	Lead finish/ Ball material (6)	MSL Peak Temp (3)	Op Temp (°C)	Device Marking (4/5)	Samples
XTR115U	ACTIVE	SOIC	D	8	75	RoHS & Green	Call TI	Level-3-260C-168 HR	-40 to 85	XTR 115U	Samples
XTR115U/2K5	ACTIVE	SOIC	D	8	2500	RoHS & Green	Call TI	Level-3-260C-168 HR	-40 to 85	XTR 115U	Samples
XTR115UA	ACTIVE	SOIC	D	8	75	RoHS & Green	Call TI	Level-3-260C-168 HR	-40 to 85	XTR 115U A	Samples
XTR115UA/2K5	ACTIVE	SOIC	D	8	2500	RoHS & Green	NIPDAU	Level-3-260C-168 HR	-40 to 85	XTR 115U A	Samples
XTR116U	ACTIVE	SOIC	D	8	75	RoHS & Green	Call TI	Level-3-260C-168 HR	-40 to 85	XTR 116U	Samples
XTR116U/2K5	ACTIVE	SOIC	D	8	2500	RoHS & Green	Call TI	Level-3-260C-168 HR	-40 to 85	XTR 116U	Samples
XTR116U/2K5G4	ACTIVE	SOIC	D	8	2500	RoHS & Green	Call TI	Level-3-260C-168 HR	-40 to 85	XTR 116U	Samples
XTR116UA	ACTIVE	SOIC	D	8	75	RoHS & Green	Call TI	Level-3-260C-168 HR	-40 to 85	XTR 116U A	Samples
XTR116UA/2K5	ACTIVE	SOIC	D	8	2500	RoHS & Green	NIPDAU	Level-3-260C-168 HR	-40 to 85	XTR 116U A	Samples
XTR116UA/2K5E4	ACTIVE	SOIC	D	8	2500	RoHS & Green	NIPDAU	Level-3-260C-168 HR	-40 to 85	XTR 116U A	Samples

(1) The marketing status values are defined as follows:

ACTIVE: Product device recommended for new designs.

LIFEBUY: TI has announced that the device will be discontinued, and a lifetime-buy period is in effect.

NRND: Not recommended for new designs. Device is in production to support existing customers, but TI does not recommend using this part in a new design.

PREVIEW: Device has been announced but is not in production. Samples may or may not be available.

OBSOLETE: TI has discontinued the production of the device.

(2) **RoHS:** TI defines "RoHS" to mean semiconductor products that are compliant with the current EU RoHS requirements for all 10 RoHS substances, including the requirement that RoHS substance do not exceed 0.1% by weight in homogeneous materials. Where designed to be soldered at high temperatures, "RoHS" products are suitable for use in specified lead-free processes. TI may reference these types of products as "Pb-Free".

RoHS Exempt: TI defines "RoHS Exempt" to mean products that contain lead but are compliant with EU RoHS pursuant to a specific EU RoHS exemption.

Green: TI defines "Green" to mean the content of Chlorine (Cl) and Bromine (Br) based flame retardants meet JS709B low halogen requirements of ≤ 1000 ppm threshold. Antimony trioxide based flame retardants must also meet the ≤ 1000 ppm threshold requirement.

(3) MSL, Peak Temp. - The Moisture Sensitivity Level rating according to the JEDEC industry standard classifications, and peak solder temperature.

(4) There may be additional marking, which relates to the logo, the lot trace code information, or the environmental category on the device.

(5) Multiple Device Markings will be inside parentheses. Only one Device Marking contained in parentheses and separated by a "~" will appear on a device. If a line is indented then it is a continuation of the previous line and the two combined represent the entire Device Marking for that device.

(6) Lead finish/Ball material - Orderable Devices may have multiple material finish options. Finish options are separated by a vertical ruled line. Lead finish/Ball material values may wrap to two lines if the finish value exceeds the maximum column width.

Important Information and Disclaimer: The information provided on this page represents TI's knowledge and belief as of the date that it is provided. TI bases its knowledge and belief on information provided by third parties, and makes no representation or warranty as to the accuracy of such information. Efforts are underway to better integrate information from third parties. TI has taken and continues to take reasonable steps to provide representative and accurate information but may not have conducted destructive testing or chemical analysis on incoming materials and chemicals. TI and TI suppliers consider certain information to be proprietary, and thus CAS numbers and other limited information may not be available for release.

In no event shall TI's liability arising out of such information exceed the total purchase price of the TI part(s) at issue in this document sold by TI to Customer on an annual basis.

TAPE AND REEL INFORMATION

QUADRANT ASSIGNMENTS FOR PIN 1 ORIENTATION IN TAPE


*All dimensions are nominal

Device	Package Type	Package Drawing	Pins	SPQ	Reel Diameter (mm)	Reel Width W1 (mm)	A0 (mm)	B0 (mm)	K0 (mm)	P1 (mm)	W (mm)	Pin1 Quadrant
XTR115U/2K5	SOIC	D	8	2500	330.0	12.4	6.4	5.2	2.1	8.0	12.0	Q1
XTR115UA/2K5	SOIC	D	8	2500	330.0	12.4	6.4	5.2	2.1	8.0	12.0	Q1
XTR116U/2K5	SOIC	D	8	2500	330.0	12.4	6.4	5.2	2.1	8.0	12.0	Q1
XTR116UA/2K5	SOIC	D	8	2500	330.0	12.4	6.4	5.2	2.1	8.0	12.0	Q1

TAPE AND REEL BOX DIMENSIONS


*All dimensions are nominal

Device	Package Type	Package Drawing	Pins	SPQ	Length (mm)	Width (mm)	Height (mm)
XTR115U/2K5	SOIC	D	8	2500	853.0	449.0	35.0
XTR115UA/2K5	SOIC	D	8	2500	853.0	449.0	35.0
XTR116U/2K5	SOIC	D	8	2500	853.0	449.0	35.0
XTR116UA/2K5	SOIC	D	8	2500	853.0	449.0	35.0



D0008A

PACKAGE OUTLINE

SOIC - 1.75 mm max height

SMALL OUTLINE INTEGRATED CIRCUIT



4214825/C 02/2019

NOTES:

- Linear dimensions are in inches [millimeters]. Dimensions in parenthesis are for reference only. Controlling dimensions are in inches. Dimensioning and tolerancing per ASME Y14.5M.
- This drawing is subject to change without notice.
- This dimension does not include mold flash, protrusions, or gate burrs. Mold flash, protrusions, or gate burrs shall not exceed $.006$ [0.15] per side.
- This dimension does not include interlead flash.
- Reference JEDEC registration MS-012, variation AA.

EXAMPLE BOARD LAYOUT

D0008A

SOIC - 1.75 mm max height

SMALL OUTLINE INTEGRATED CIRCUIT



LAND PATTERN EXAMPLE
EXPOSED METAL SHOWN
SCALE:8X



SOLDER MASK DETAILS

4214825/C 02/2019

NOTES: (continued)

- 6. Publication IPC-7351 may have alternate designs.
- 7. Solder mask tolerances between and around signal pads can vary based on board fabrication site.

EXAMPLE STENCIL DESIGN

D0008A

SOIC - 1.75 mm max height

SMALL OUTLINE INTEGRATED CIRCUIT



SOLDER PASTE EXAMPLE
BASED ON .005 INCH [0.125 MM] THICK STENCIL
SCALE:8X

4214825/C 02/2019

NOTES: (continued)

8. Laser cutting apertures with trapezoidal walls and rounded corners may offer better paste release. IPC-7525 may have alternate design recommendations.
9. Board assembly site may have different recommendations for stencil design.

IMPORTANT NOTICE AND DISCLAIMER

TI PROVIDES TECHNICAL AND RELIABILITY DATA (INCLUDING DATA SHEETS), DESIGN RESOURCES (INCLUDING REFERENCE DESIGNS), APPLICATION OR OTHER DESIGN ADVICE, WEB TOOLS, SAFETY INFORMATION, AND OTHER RESOURCES "AS IS" AND WITH ALL FAULTS, AND DISCLAIMS ALL WARRANTIES, EXPRESS AND IMPLIED, INCLUDING WITHOUT LIMITATION ANY IMPLIED WARRANTIES OF MERCHANTABILITY, FITNESS FOR A PARTICULAR PURPOSE OR NON-INFRINGEMENT OF THIRD PARTY INTELLECTUAL PROPERTY RIGHTS.

These resources are intended for skilled developers designing with TI products. You are solely responsible for (1) selecting the appropriate TI products for your application, (2) designing, validating and testing your application, and (3) ensuring your application meets applicable standards, and any other safety, security, regulatory or other requirements.

These resources are subject to change without notice. TI grants you permission to use these resources only for development of an application that uses the TI products described in the resource. Other reproduction and display of these resources is prohibited. No license is granted to any other TI intellectual property right or to any third party intellectual property right. TI disclaims responsibility for, and you will fully indemnify TI and its representatives against, any claims, damages, costs, losses, and liabilities arising out of your use of these resources.

TI's products are provided subject to [TI's Terms of Sale](#) or other applicable terms available either on [ti.com](#) or provided in conjunction with such TI products. TI's provision of these resources does not expand or otherwise alter TI's applicable warranties or warranty disclaimers for TI products.

TI objects to and rejects any additional or different terms you may have proposed.

Mailing Address: Texas Instruments, Post Office Box 655303, Dallas, Texas 75265
Copyright © 2021, Texas Instruments Incorporated