

10-W STEREO CLASS-D AUDIO POWER AMPLIFIER

FEATURES

- 10-W/Ch (stereo SE) into an 8-Ω Load From a 24-V Supply
- 20-W/Ch (mono BTL) into an 8-Ω Load from a 24-V Supply
- Operates From 10 V to 26 V
- Operates From +24 V LCD Backlight Supply
- Efficient Class-D Operation Eliminates Need for Heat Sinks
- Four Selectable, Fixed-Gain Settings
- Single-Ended Analog Inputs
- Thermal and Short-Circuit Protection With Auto Recovery
- 20-Pin DIP Package
- Advanced Power-Off Pop Reduction

APPLICATIONS

- Flat Panel Televisions
- DLP® TVs
- CRT TVs
- Powered Speakers

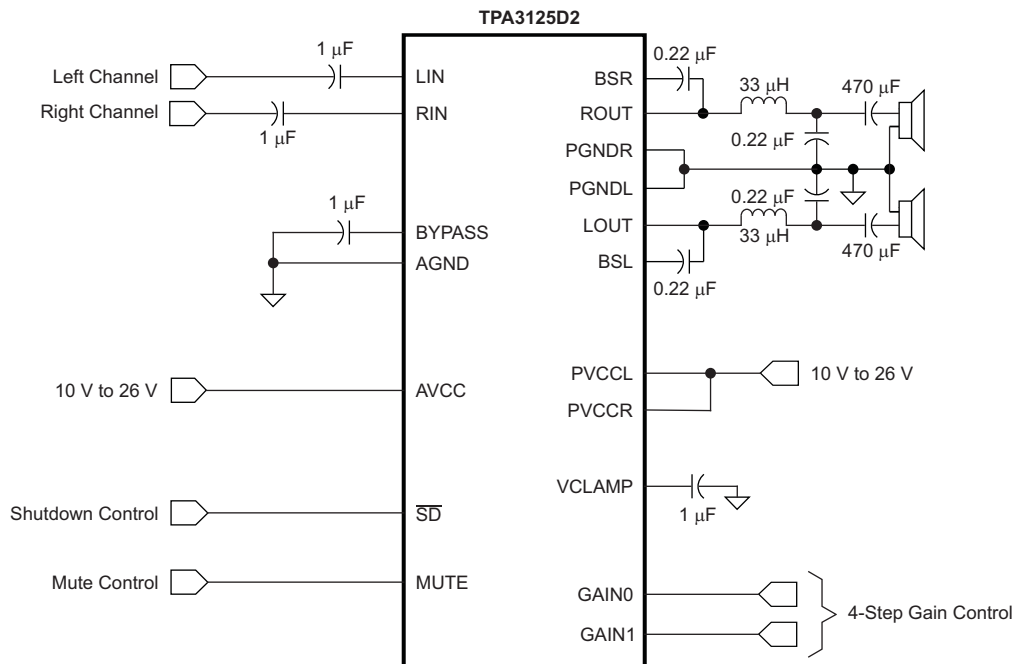
DESCRIPTION

The TPA3125D2 is a 10-W (per channel), efficient, class-D audio power amplifier for driving stereo speakers in a single-ended configuration; or, a mono speaker in a bridge-tied-load configuration. The TPA3125D2 can drive stereo speakers as low as 4 Ω. The efficiency of the TPA3125D2 eliminates the need for an external heat sink when playing music. The gain of the amplifier is controlled by two gain select pins. The gain selections are 20, 26, 32, and 36 dB.

The patented start-up and shutdown sequences minimize pop noise in the speakers without additional circuitry.

The thru-hole package allows placement on single-sided printed circuit boards.

SIMPLIFIED APPLICATION CIRCUIT



S0267-02



Please be aware that an important notice concerning availability, standard warranty, and use in critical applications of Texas Instruments semiconductor products and disclaimers thereto appears at the end of this data sheet.

DLP is a registered trademark of Texas Instruments.
System Two, Audio Precision are trademarks of Audio Precision, Inc.
All other trademarks are the property of their respective owners.



These devices have limited built-in ESD protection. The leads should be shorted together or the device placed in conductive foam during storage or handling to prevent electrostatic damage to the MOS gates.

**DUAL INLINE PACKAGE
(TOP VIEW)**

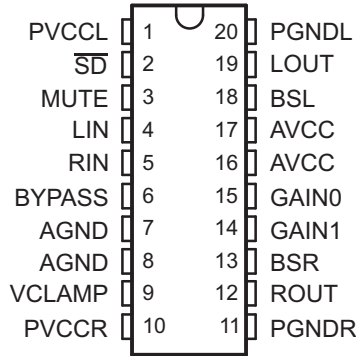


Table 1. TERMINAL FUNCTIONS

TERMINAL		I/O	DESCRIPTION
NAME	20-PIN (DIP)		
PVCCCL	1		Power supply for left channel H-bridge.
\overline{SD}	2	I	Shutdown signal for IC (low = outputs disabled, high = operational). TTL logic levels with compliance to AVCC.
MUTE	3	I	Mute signal for quick disable/enable of outputs (high = outputs switch at 50% duty cycle; low = outputs enabled). TTL logic levels with compliance to AVCC.
LIN	4	I	Audio input for left channel.
RIN	5	I	Audio input for right channel.
BYPASS	6	O	Reference for pre-amplifier inputs. Nominally equal to AVCC/8. Also controls start-up time via external capacitor sizing.
AGND	7		Analog ground for digital/analog cells in core.
AGND	8		Analog ground for digital/analog cells in core.
VCLAMP	9		Internally generated voltage supply for bootstrap capacitors.
PVCCR	10		Power supply for right channel H-bridge.
PGNDR	11		Power ground for right channel H-bridge.
ROUT	12	O	Class-D H-bridge negative output for right channel.
BSR	13	I	Bootstrap input for right channel.
GAIN1	14	I	Gain select most significant bit. TTL logic levels with compliance to AVCC.
GAIN0	15	I	Gain select least significant bit. TTL logic levels with compliance to AVCC.
AVCC	16, 17		High-voltage analog power supply. Not internally connected to PVCCR or PVCCCL .
BSL	18	I	Bootstrap input for left channel.
LOUT	19	O	Class-D H-bridge positive output for left channel.
PGNDL	20		Power ground for left channel H-bridge.

ABSOLUTE MAXIMUM RATINGS

over operating free-air temperature range (unless otherwise noted) ⁽¹⁾

			VALUE	UNIT
V _{CC}	Supply voltage	AVCC, PVCC	–0.3 to 30	V
	Logic input voltage	\overline{SD} , MUTE, GAIN0, GAIN1	–0.3 to V _{CC} + 0.3	V
	Analog input voltage	RIN, LIN	–0.3 to 7	V
	Continuous total power dissipation		See Dissipation Rating Table	
T _A	Operating free-air temperature range		–40 to 85	°C
T _J	Operating junction temperature range		–40 to 150	°C
T _{stg}	Storage temperature range		–65 to 150	°C
Z _L	Load impedance (minimum value)	SE Output Configuration	3.2	Ω
		BTL Output Configuration	6	
ESD	Electrostatic Discharge	Human body model (all pins)	±2	kV
		Charged-device model (all pins)	±500	V

(1) Stresses beyond those listed under *absolute maximum ratings* may cause permanent damage to the device. These are stress ratings only, and functional operation of the device at these or any other conditions beyond those indicated under *recommended operating conditions* is not implied. Exposure to absolute-maximum-rated conditions for extended periods may affect device reliability.

DISSIPATION RATINGS

PACKAGE ⁽¹⁾	T _A ≤ 25°C	DERATING FACTOR	T _A = 70°C	T _A = 85°C
20-pin DIP	1.87 W	15 mW/°C	1.20 W	0.97 W

(1) For the most current package and ordering information, see the Package Option Addendum at the end of this document, or see the TI website at www.ti.com.

RECOMMENDED OPERATING CONDITIONS

			MIN	MAX	UNIT
V _{CC}	Supply voltage	PVCC, AVCC	10	26	V
V _{IH}	High-level input voltage	\overline{SD} , MUTE, GAIN0, GAIN1	2		V
V _{IL}	Low-level input voltage	\overline{SD} , MUTE, GAIN0, GAIN1		0.8	V
I _{IH}	High-level input current	\overline{SD} , MUTE, GAIN0, GAIN1; V _{IN} = V _{CC} = 26 V		125	μA
I _{IL}	Low-level input current	\overline{SD} , MUTE, GAIN0, GAIN1; V _{IN} = 0, V _{CC} = 26 V		1	μA
T _A	Operating free-air temperature		–40	85	°C

DC CHARACTERISTICS

T_A = 25°C, V_{CC} = 24 V, R_L = 8Ω (unless otherwise noted)

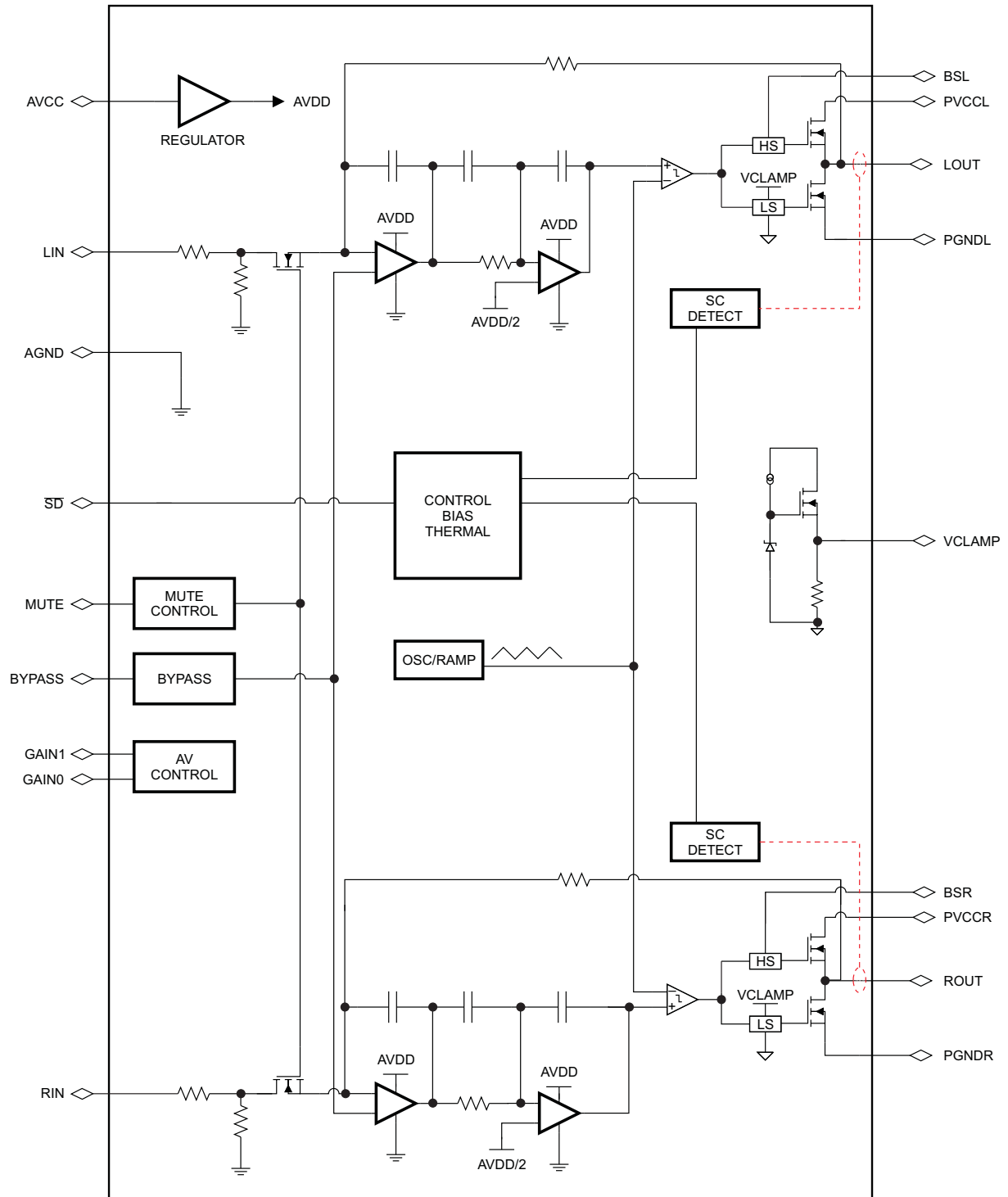
PARAMETER		TEST CONDITIONS	MIN	TYP	MAX	UNIT	
V _{OS}	Class-D output offset voltage (measured differentially in BTL mode as shown in Figure 33)	V _I = 0 V, A _V = 36 dB		7.5	50	mV	
V _(BYPASS)	Bypass output voltage	No load		AV _{CC} /8		V	
I _{CC(q)}	Quiescent supply current	\overline{SD} = 2 V, MUTE = 0 V, no load		16	30	mA	
I _{CC(q)}	Quiescent supply current in mute mode	MUTE = 0.8 V, no load		16		mA	
I _{CC(q)}	Quiescent supply current in shutdown mode	\overline{SD} = 0.8 V, no load		0.39	1	mA	
r _{DS(on)}	Drain-source on-state resistance			210	450	mΩ	
G	Gain	GAIN1 = 0.8 V	GAIN0 = 0.8 V	18	20	22	dB
			GAIN0 = 2 V	24	26	28	
		GAIN = 2 V	GAIN0 = 0.8 V	30	32	34	
			GAIN0 = 2 V	34	36	38	
Mute attenuation		V _I = 1 V _{rms}		-80		dB	

AC CHARACTERISTICS

T_A = 25°C, V_{CC} = 24 V, R_L = 8Ω (unless otherwise noted)

PARAMETER		TEST CONDITIONS	MIN	TYP	MAX	UNIT
k _{SVR}	Supply ripple rejection	V _{CC} = 24, V _{ripple} = 0.2 V _{PP} , Gain = 20 dB, freq = 1 kHz		-52		dB
P _O	Output power at 1% THD+N	V _{CC} = 24 V, f = 1 kHz; single-ended output		8		W
	Output power at 10% THD+N	V _{CC} = 24 V, f = 1 kHz; single-ended output		10		
	Output power at 1% THD+N	V _{CC} = 12 V, f = 1 kHz; bridge-tied output		7		
	Output power at 10% THD+N	V _{CC} = 12 V, f = 1 kHz; bridge-tied output		9		
	Output power at 1% THD+N	V _{CC} = 24 V, f = 1 kHz; bridge-tied output (output thermally limited to 20W unless heatsink is used)		30		
	Output power at 10% THD+N	V _{CC} = 24 V, f = 1 kHz; bridge-tied output (output thermally limited to 20W unless heatsink is used)		36		
THD+N	Total harmonic distortion + noise	f = 1 kHz, P _O = 5 W; single-ended output		0.04%		
THD+N	Total harmonic distortion + noise	f = 1 kHz, P _O = 10 W; bridge-tied output		0.04%		
V _n	Output integrated noise floor	20 Hz to 22 kHz, A-weighted filter, Gain = 20 dB		125		μV RMS
				-78		dBV
	Crosstalk	P _O = 1 W, f = 1 kHz; gain = 20 dB		-70		dB
SNR	Signal-to-noise ratio	Max output at THD+N < 1%, f = 1 kHz, gain = 20 dB		-92		dB
	Thermal trip point			150		°C
	Thermal hysteresis			30		°C
f _{OSC}	Oscillator frequency		250	300	350	kHz
	Mute delay	Time from mute input switches high until outputs muted		30		μs
	Unmute delay	Time from mute input switches low until outputs unmuted		120		ms
	Start-up time	Bypass capacitor on pin 6 = 1μF		500		ms

FUNCTIONAL BLOCK DIAGRAM



TYPICAL CHARACTERISTICS

All tests are conducted at frequency = 1 kHz unless otherwise noted.

**TOTAL HARMONIC DISTORTION + NOISE
vs
FREQUENCY**

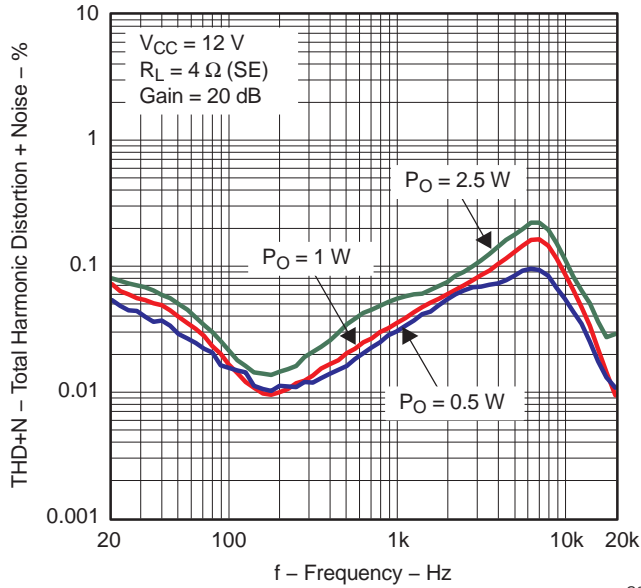


Figure 1.

G001

**TOTAL HARMONIC DISTORTION + NOISE
vs
FREQUENCY**

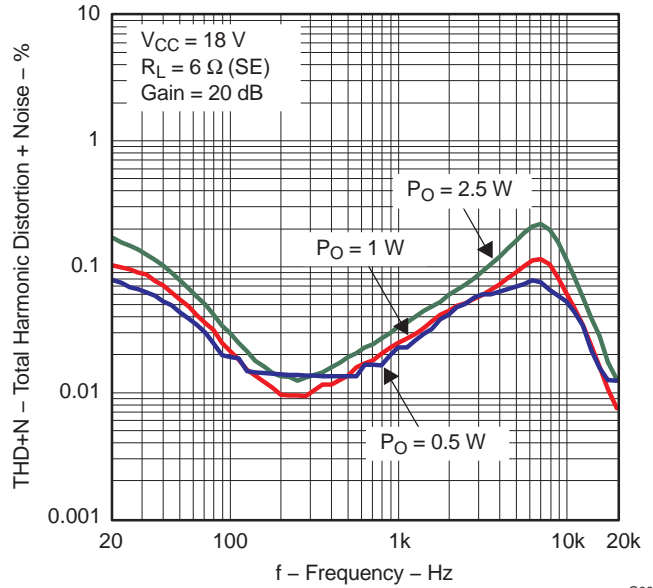


Figure 2.

G002

**TOTAL HARMONIC DISTORTION + NOISE
vs
FREQUENCY**

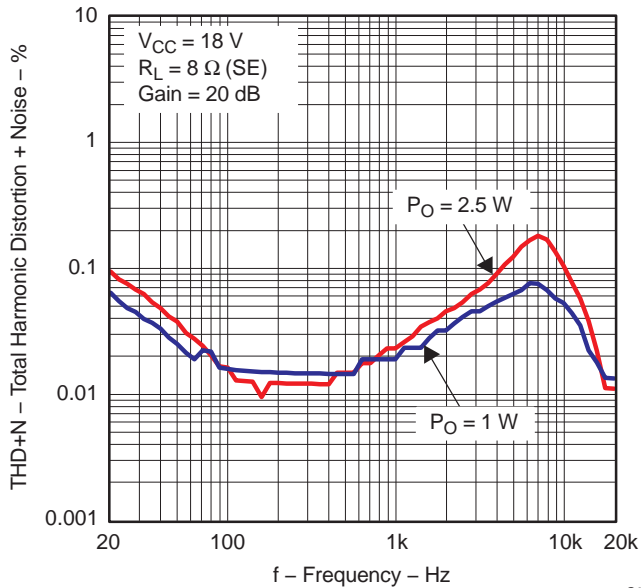


Figure 3.

G003

**TOTAL HARMONIC DISTORTION + NOISE
vs
FREQUENCY**

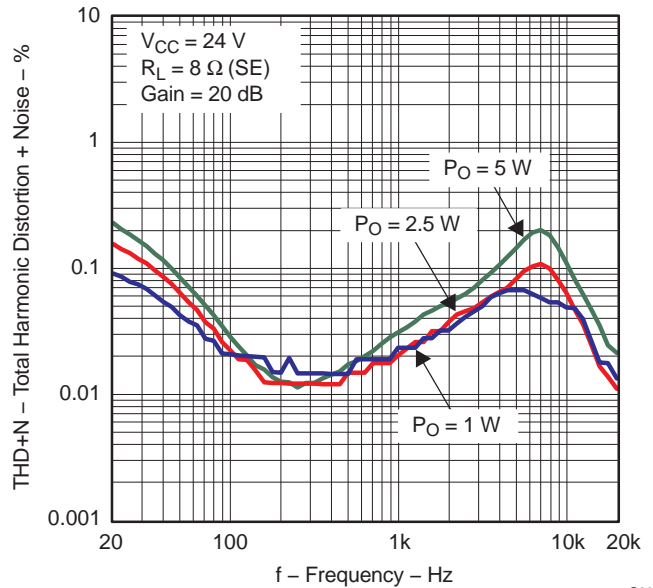


Figure 4.

G004

TYPICAL CHARACTERISTICS (continued)

All tests are conducted at frequency = 1 kHz unless otherwise noted.

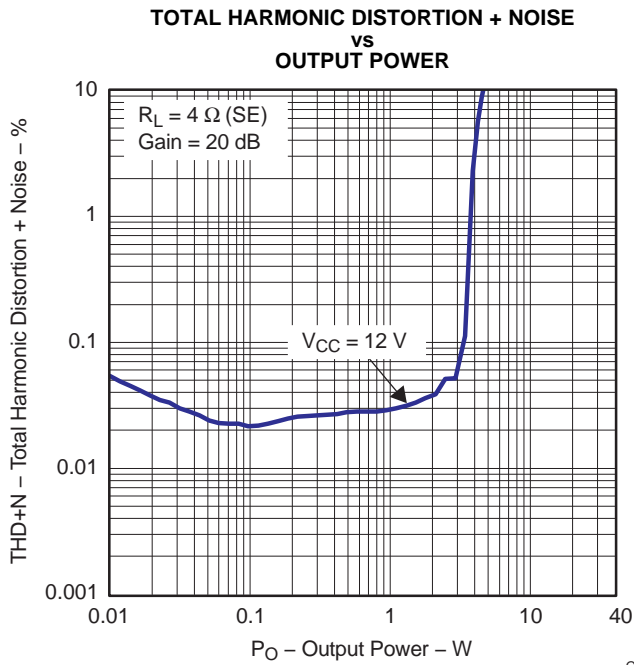


Figure 5.

G005

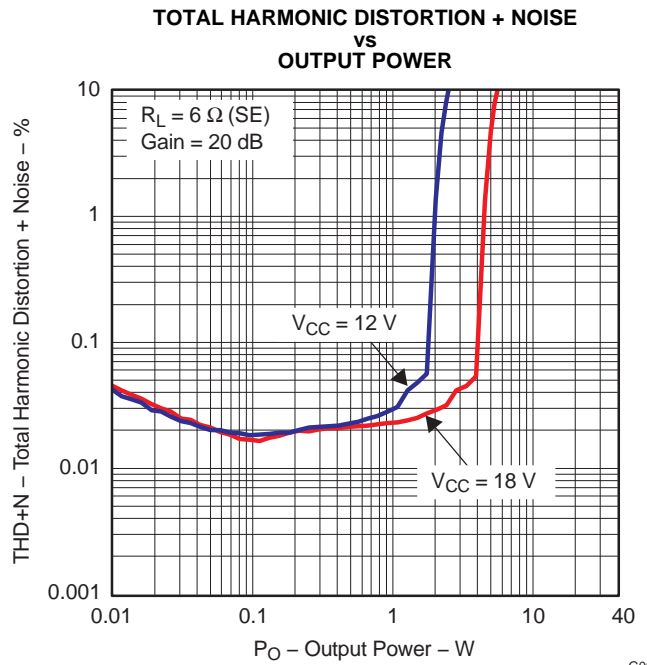


Figure 6.

G006

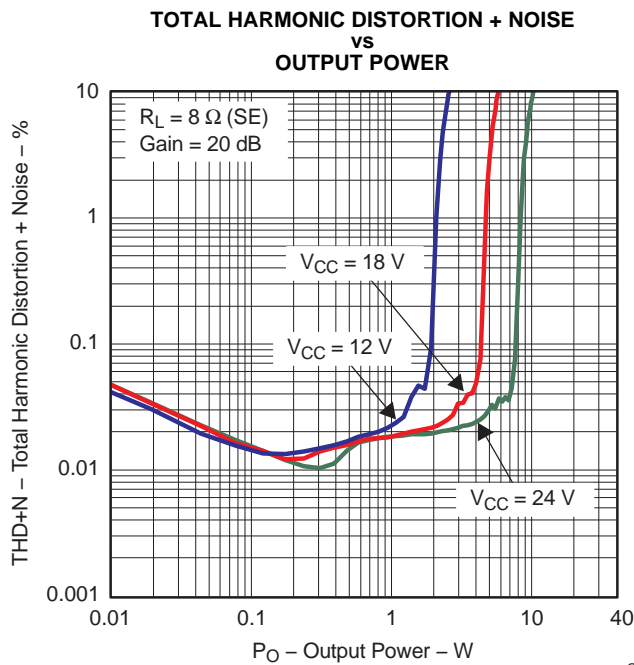


Figure 7.

G007

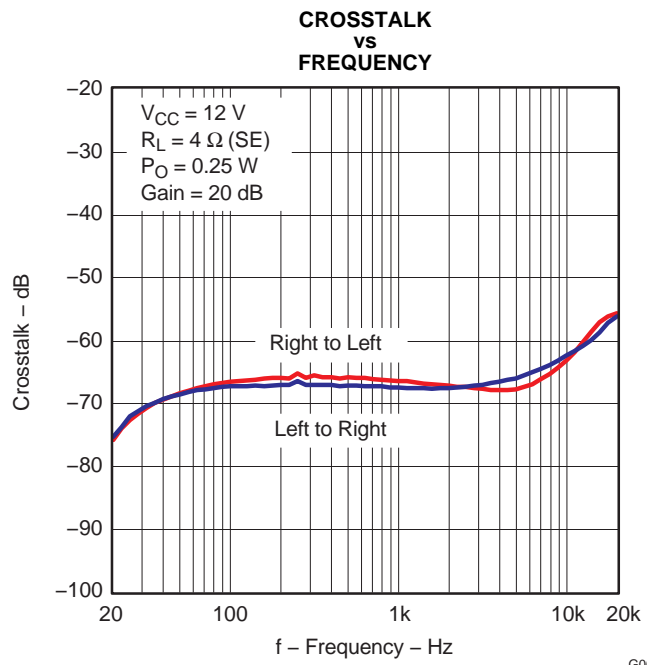


Figure 8.

G008

TYPICAL CHARACTERISTICS (continued)

All tests are conducted at frequency = 1 kHz unless otherwise noted.

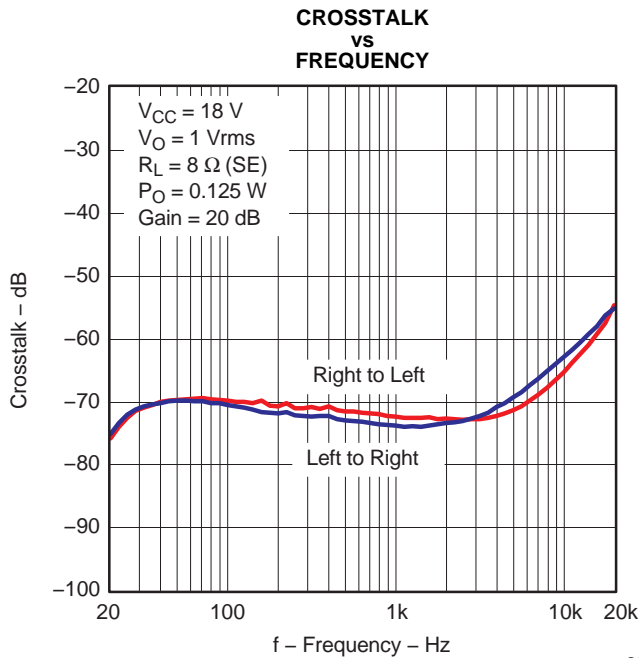


Figure 9.

G009

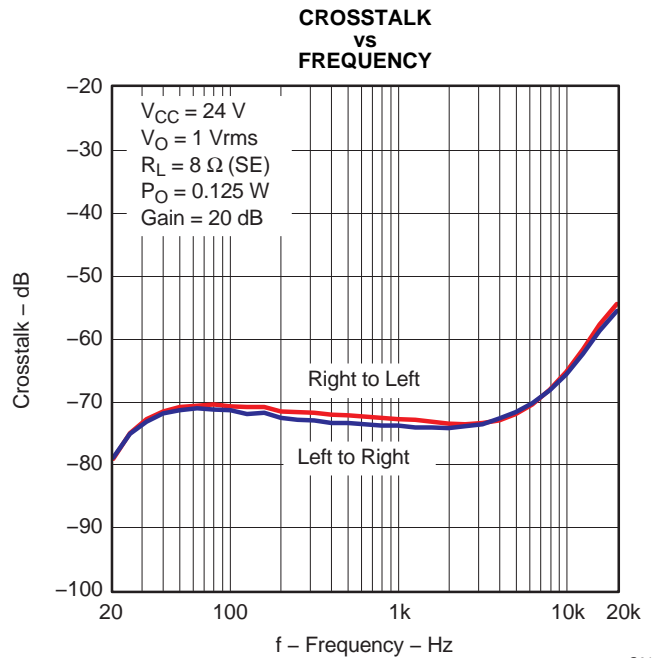


Figure 10.

G010

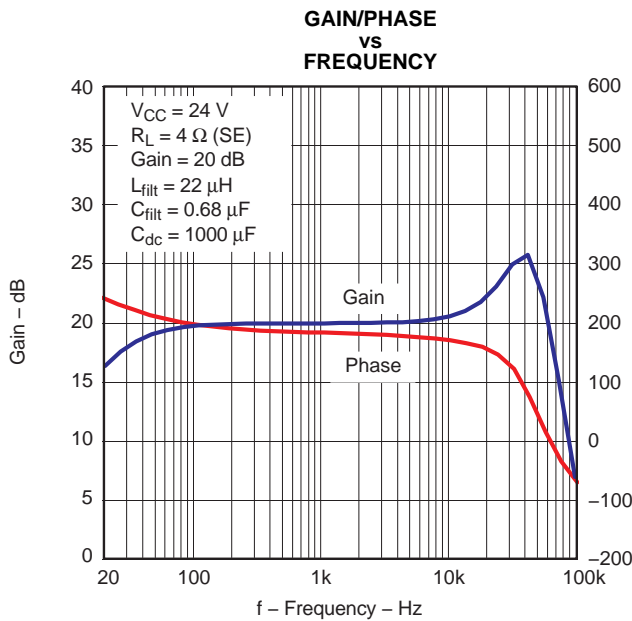


Figure 11.

G011

Peaking of frequencies above 10 kHz is due to reconstruction filter, not the device.

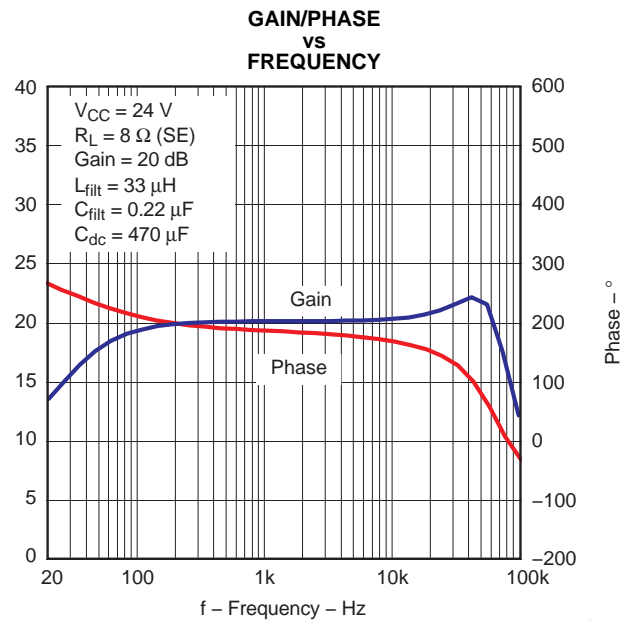


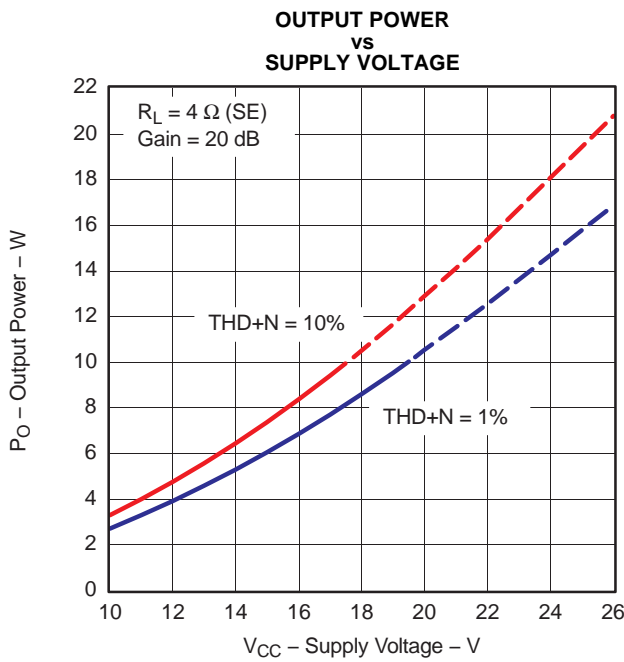
Figure 12.

G012

Peaking of frequencies above 10 kHz is due to reconstruction filter, not the device.

TYPICAL CHARACTERISTICS (continued)

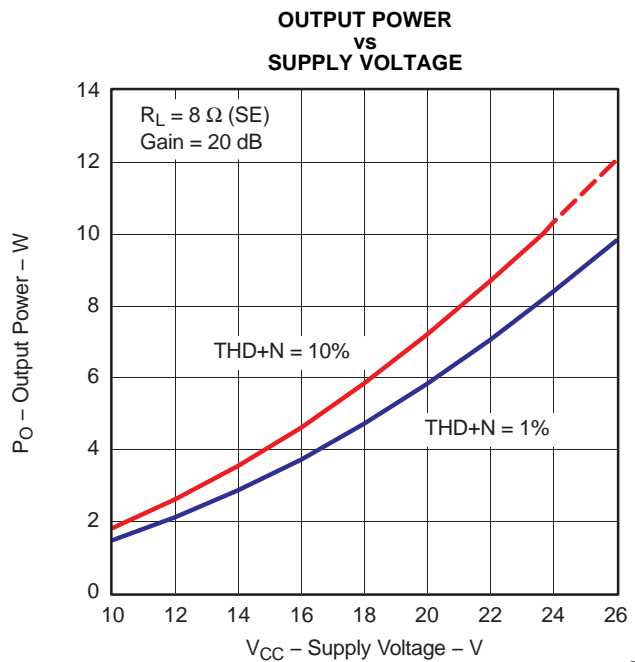
All tests are conducted at frequency = 1 kHz unless otherwise noted.



G013

A dashed line represents thermally limited region.

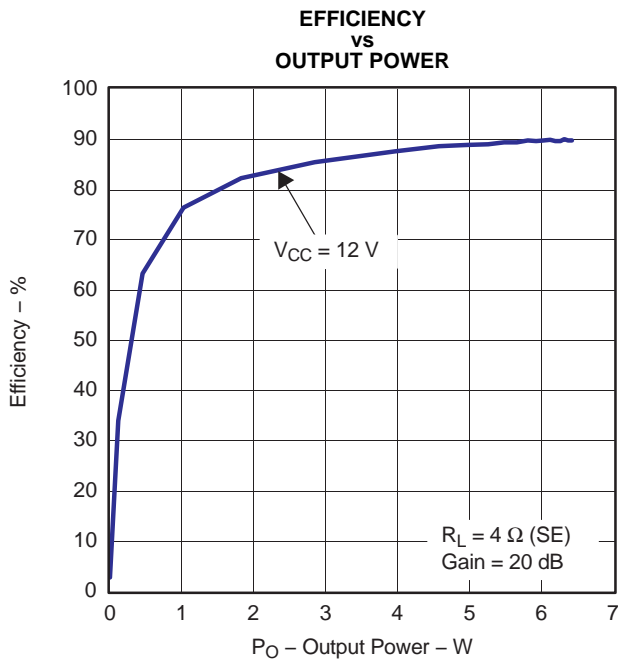
Figure 13.



G014

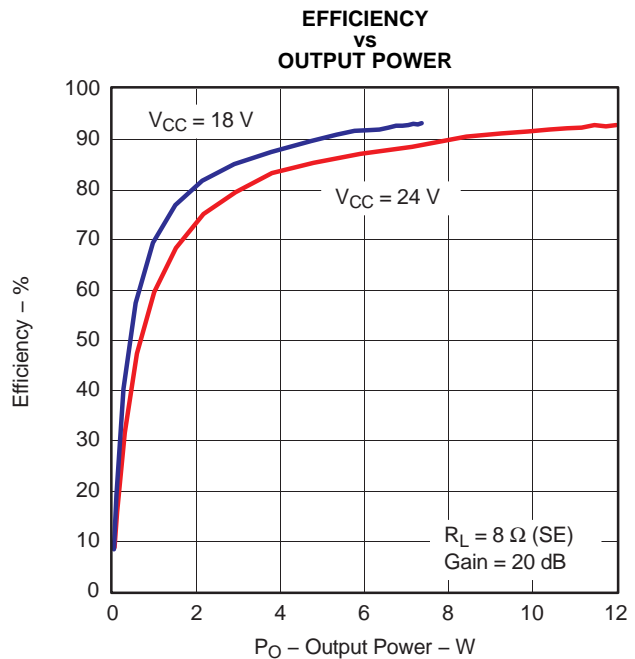
A dashed line represents thermally limited region.

Figure 14.



G015

Figure 15.

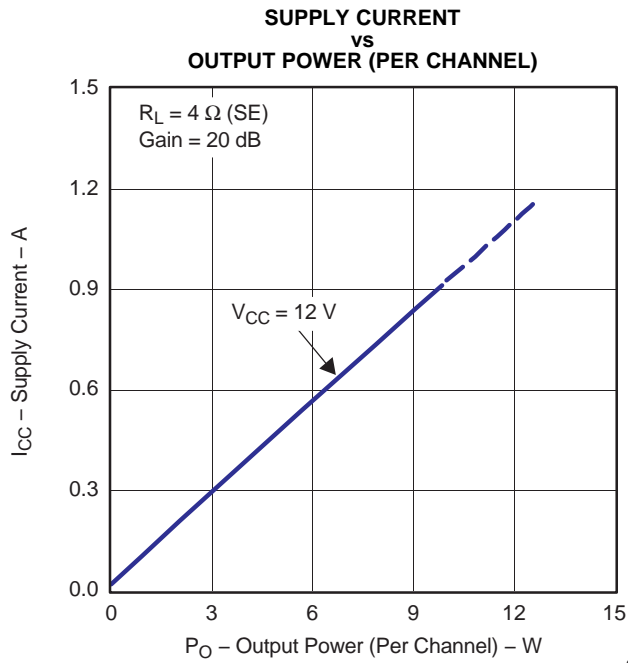


G016

Figure 16.

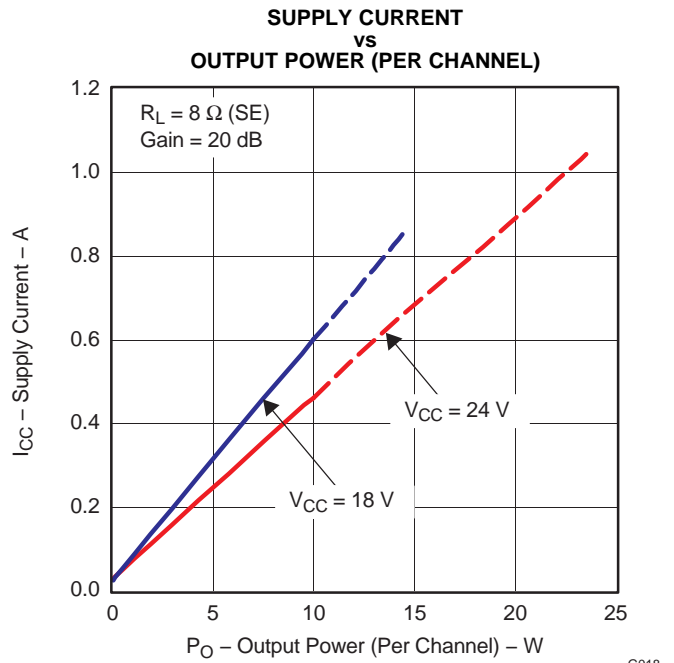
TYPICAL CHARACTERISTICS (continued)

All tests are conducted at frequency = 1 kHz unless otherwise noted.



A dashed line represents thermally limited region.

Figure 17.



A dashed line represents thermally limited region.

Figure 18.

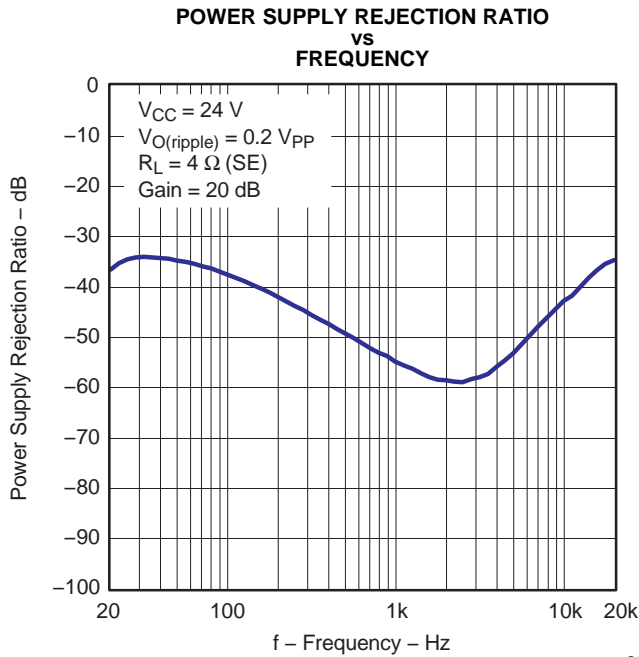


Figure 19.

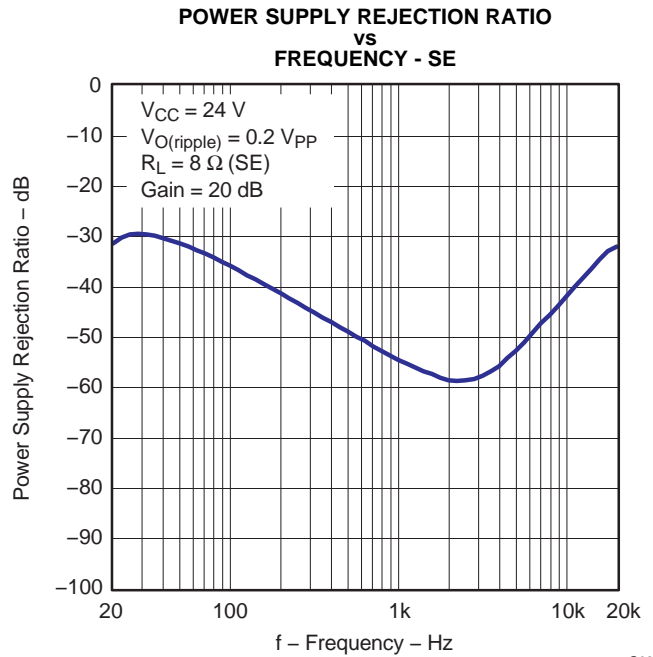


Figure 20.

TYPICAL CHARACTERISTICS (continued)

All tests are conducted at frequency = 1 kHz unless otherwise noted.

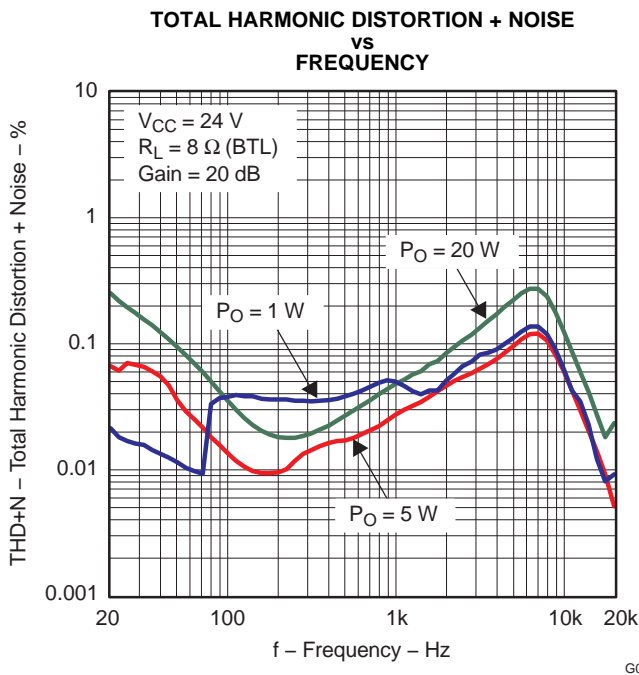


Figure 21.

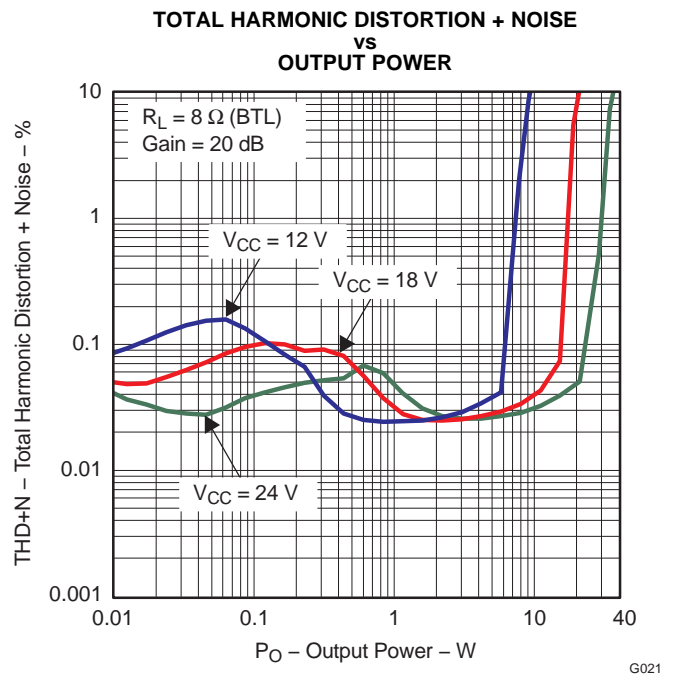
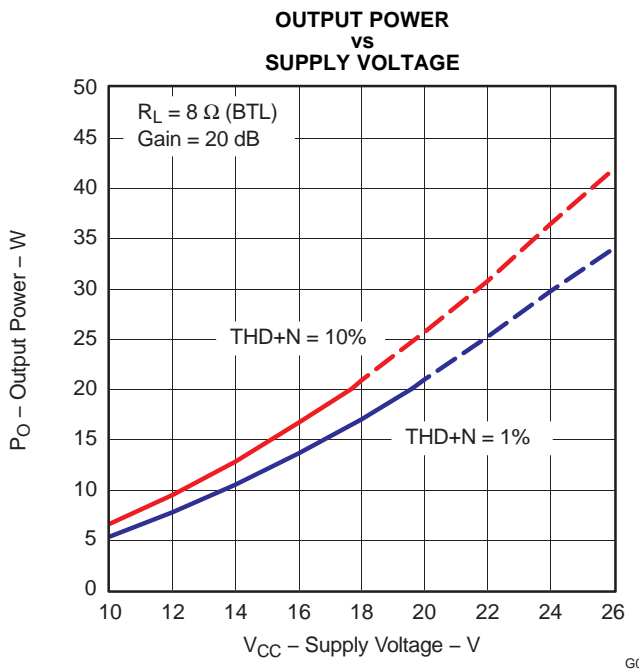


Figure 22.



A dashed line represents thermally limited region.

Figure 23.

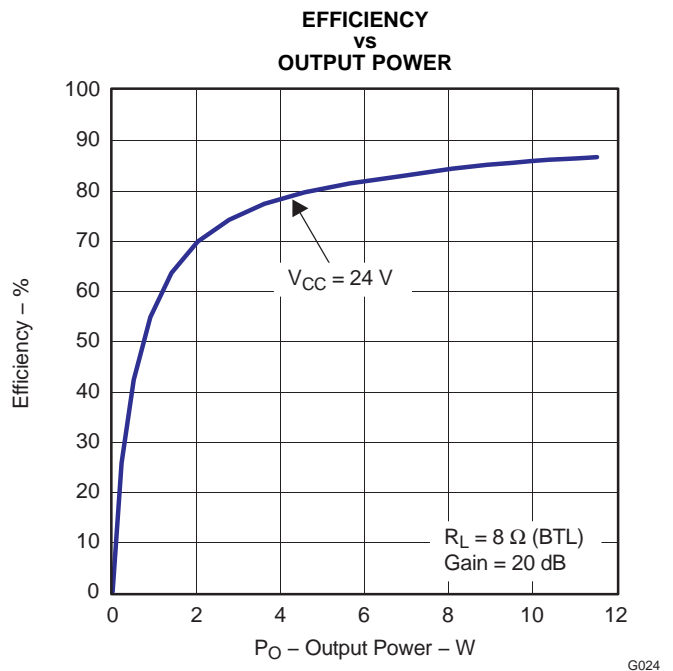


Figure 24.

TYPICAL CHARACTERISTICS (continued)

All tests are conducted at frequency = 1 kHz unless otherwise noted.

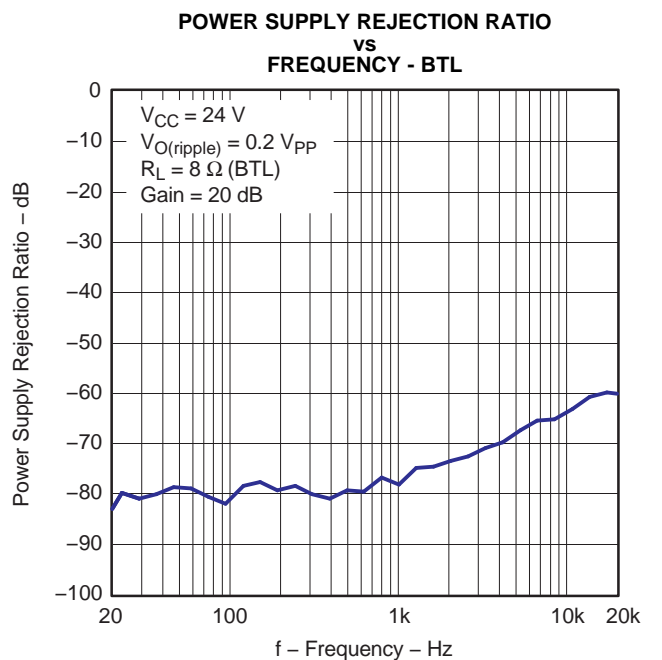


Figure 25.

APPLICATION INFORMATION

CLASS-D OPERATION

This section focuses on the class-D operation of the TPA3125D2.

Traditional Class-D Modulation Scheme

The TPA3125D2 operates in AD mode. There are two main configurations that may be used. For stereo operation, the TPA3125D2 should be configured in a single-ended (SE) half-bridge amplifier. For mono applications, TPA3125D2 may be used as a bridge-tied-load (BTL) amplifier. The traditional class-D modulation scheme, which is used in the TPA3125D2 BTL configuration, has a differential output where each output is 180 degrees out of phase and changes from ground to the supply voltage, V_{CC} . Therefore, the differential prefiltered output varies between positive and negative V_{CC} , where filtered 50% duty cycle yields 0 V across the load. The class-D modulation scheme with voltage and current waveforms is shown in [Figure 26](#).

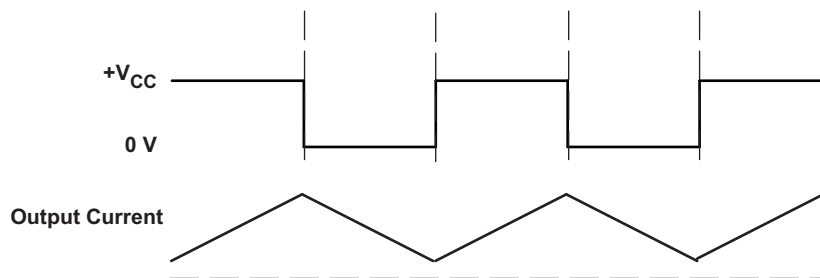


Figure 26. Class-D Modulation for TPA3125D2 SE Configuration

Supply Pumping

One issue encountered in single-ended (SE) class-D amplifier designs is supply pumping. Power-supply pumping is a rise in the local supply voltage due to energy being driven back to the supply by operation of the class-D amplifier. This phenomenon is most evident at low audio frequencies and when both channels are operating at the same frequency and phase. At low levels, power-supply pumping results in distortion in the audio output due to fluctuations in supply voltage. At higher levels, pumping can cause the overvoltage protection to operate, which temporarily shuts down the audio output.

Several things can be done to relieve power-supply pumping. The lowest impact is to operate the two inputs out of phase 180° and reverse the speaker connections. Because most audio is highly correlated, this causes the supply pumping to be out of phase and not as severe. If this is not enough, the amount of bulk capacitance on the supply must be increased. Also, improvement is realized by hooking other supplies to this node, thereby, sinking some of the excess current. Power-supply pumping should be tested by operating the amplifier at low frequencies and high output levels.

Gain Setting via GAIN0 and GAIN1 Inputs

The gain of the TPA3125D2 is set by two input terminals, GAIN0 and GAIN1.

The gains listed in [Table 2](#) are realized by changing the taps on the input resistors and feedback resistors inside the amplifier. This causes the input impedance (Z_i) to be dependent on the gain setting. The actual gain settings are controlled by ratios of resistors, so the gain variation from part-to-part is small. However, the input impedance from part-to-part at the same gain may shift by $\pm 20\%$ due to shifts in the actual resistance of the input resistors.

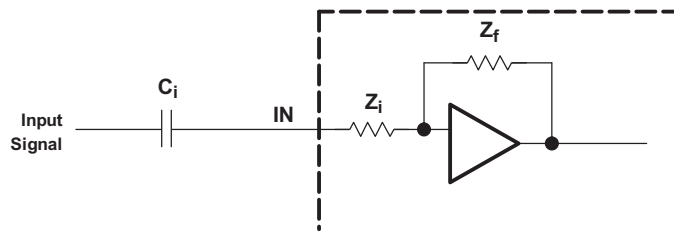
For design purposes, the input network (discussed in the next section) should be designed assuming an input impedance of 8 k Ω , which is the absolute minimum input impedance of the TPA3125D2. At the higher gain settings, the input impedance could increase as high as 72 k Ω .

Table 2. Gain Setting

GAIN1	GAIN0	AMPLIFIER GAIN (dB), TYPICAL	INPUT IMPEDANCE (kΩ), TYPICAL
0	0	20	60
0	1	26	30
1	0	32	15
1	1	36	9

INPUT RESISTANCE

Changing the gain setting can vary the input resistance of the amplifier from its smallest value, 9 kΩ ±20%, to the largest value, 60 kΩ ±20%. As a result, if a single capacitor is used in the input high-pass filter, the –3-dB cutoff frequency will change when changing gain steps.

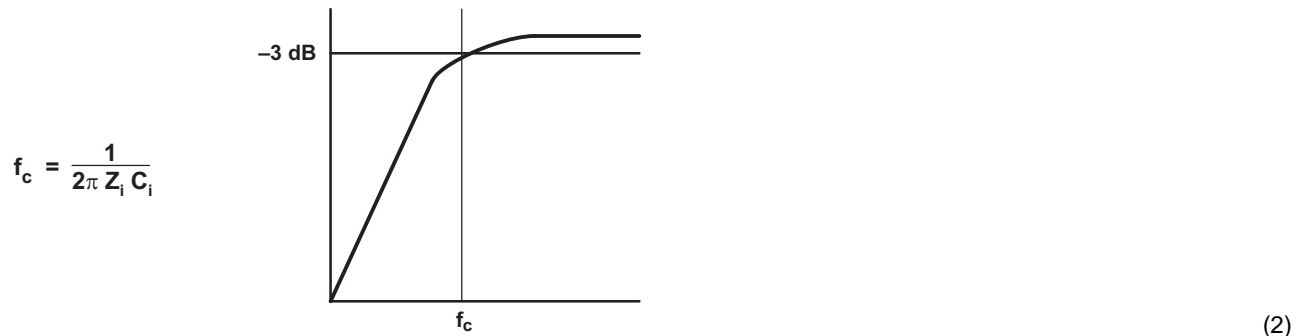


The –3-dB frequency can be calculated using Equation 1. Use the Zi values given in Table 2.

$$f = \frac{1}{2\pi Z_i C_i} \tag{1}$$

INPUT CAPACITOR, Ci

In the typical application, input capacitor Ci is required to allow the amplifier to bias the input signal to the proper dc level for optimum operation. In this case Ci and the input impedance of the amplifier (Zi) form a high-pass filter with the corner frequency determined in Equation 2.



The value of Ci is important, as it directly affects the bass (low-frequency) performance of the circuit. Consider the example where Zi is 60 kΩ and the specification calls for a flat bass response down to 20 Hz. Equation 2 is reconfigured as Equation 3.

$$C_i = \frac{1}{2\pi Z_i f_c} \tag{3}$$

In this example, Ci is 0.4 μF; so, one would likely choose a value of 0.47 μF as this value is commonly used. If the gain is known and is constant, use Zi from Table 2 to calculate Ci. A further consideration for this capacitor is the leakage path from the input source through the input network, Ci, and the feedback network to the load. This leakage current creates a dc offset voltage at the input to the amplifier that reduces useful headroom, especially

in high-gain applications. For this reason, a low-leakage tantalum or ceramic capacitor is the best choice. When polarized capacitors are used, the positive side of the capacitor should face the amplifier input in most applications as the dc level there is held at $AV_{CC}/8$ volts, which is likely higher than the source dc level. Note that it is important to confirm the capacitor polarity in the application. Additionally, lead-free solder can create dc offset voltages due to leakage, so it is important to ensure that boards are cleaned properly.

Single-Ended Output Capacitor, C_O

In single-ended (SE) applications, the dc blocking capacitor forms a high-pass filter with the speaker impedance. The frequency response rolls off with decreasing frequency at a rate of 20 dB/decade. The cutoff frequency is determined by

$$f_c = \frac{1}{2\pi C_O Z_i} \quad (4)$$

[Table 3](#) shows some common component values and the associated cutoff frequencies:

Table 3. Common Filter Responses

Speaker Impedance (Ω)	C_O - DC Blocking Capacitor (μF)		
	$f_c = 60 \text{ Hz (-3 dB)}$	$f_c = 40 \text{ Hz (-3 dB)}$	$f_c = 20 \text{ Hz (-3 dB)}$
4	680	1000	2200
6	470	680	1500
8	330	470	1000

Bleeder Resistor for Single-Ended Output Capacitor

The single-ended application schematic shows a 4.7 k Ω resistor from the IC side of the single-ended output capacitor to ground. This resistor is used to bleed the charge off of the capacitor when the amp is powered down, preventing pop if the amp is power back up quickly. The value of the resistor can be adjusted to control the time required to discharge the capacitor. The discharge time is proportional to the RC time constant of the resistor and capacitor.

Output Filter and Frequency Response

For the best frequency response, a flat-passband output filter (second-order Butterworth) may be used. The output filter components consist of the series inductor and capacitor to ground at the LOUT and ROUT pins. There are several possible configurations, depending on the speaker impedance and whether the output configuration is single-ended (SE) or bridge-tied load (BTL). [Table 4](#) lists the recommended values for the filter components. It is important to use a high-quality capacitor in this application. A rating of at least X7R and voltage rating of 50V is suggested.

Table 4. Recommended Filter Output Components

Output Configuration	Speaker Impedance (Ω)	Filter Inductor (μH)	Filter Capacitor (nF)
Single - Ended (SE)	4	22	680
	8	33	220
Bridge - Tied Load (BTL)	8	22	680

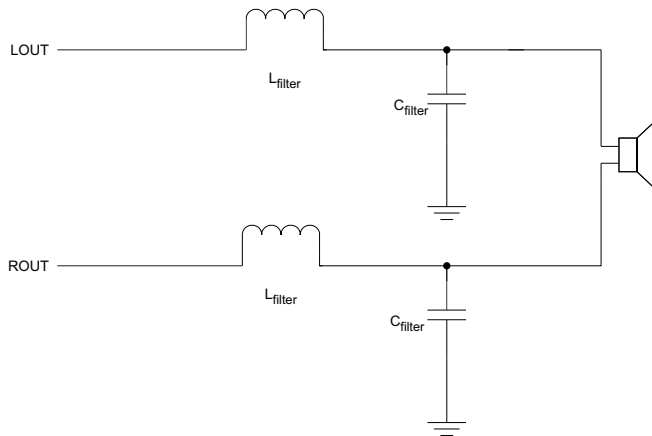


Figure 27. BTL Filter Configuration

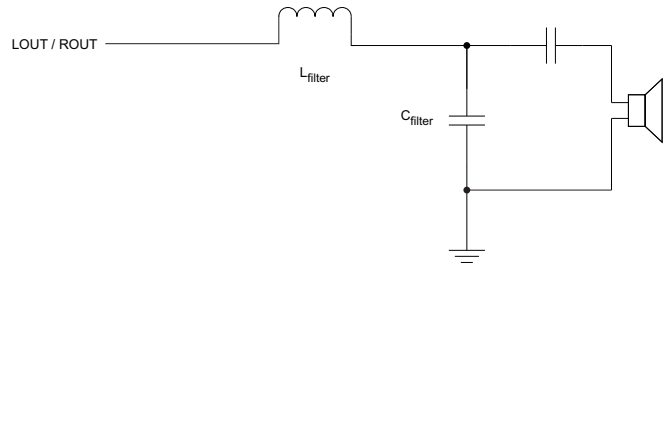


Figure 28. SE Filter Configuration

Power-Supply Decoupling, C_s

The TPA3125D2 is a high-performance CMOS audio amplifier that requires adequate power-supply decoupling to ensure that the output total harmonic distortion (THD) is as low as possible. Power-supply decoupling also prevents oscillations for long lead lengths between the amplifier and the speaker. The optimum decoupling is achieved by using two capacitors of different types that target different types of noise on the power-supply leads. For higher-frequency transients, spikes, or digital hash on the line, a good low equivalent-series-resistance (ESR) ceramic capacitor, typically 0.1 μF to 1 μF , placed as close as possible to the device PV_{CC} pin works best. For filtering lower frequency noise signals, a larger aluminum electrolytic capacitor of 470 μF or greater placed near the audio power amplifier is recommended. The 470- μF capacitor also serves as local storage capacitor for supplying current during large signal transients on the amplifier outputs. The PV_{CC} terminals provide the power to the output transistors, so a 470- μF or larger capacitor should be connect to each PV_{CC} terminal. A 10- μF capacitor on the AV_{CC} terminal is adequate. These capacitors must be properly derated for voltage and ripple-current rating to ensure reliability.

BSN and BSP Capacitors

The half H-bridge output stages use only NMOS transistors. Therefore, they require bootstrap capacitors for the high side of each output to turn on correctly. A 220-nF ceramic capacitor, rated for at least 25 V, must be connected from each output to its corresponding bootstrap input. Specifically, one 220-nF capacitor must be connected from LOUT to BSL, and one 220-nF capacitor must be connected from ROUT to BSR.

The bootstrap capacitors connected between the BSx pins and their corresponding outputs function as a floating power supply for the high-side N-channel power MOSFET gate-drive circuitry. During each high-side switching cycle, the bootstrap capacitors hold the gate-to-source voltage high enough to keep the high-side MOSFETs turned on.

VCLAMP Capacitor

To ensure that the maximum gate-to-source voltage for the NMOS output transistors is not exceeded, one internal regulator clamps the gate voltage. One 1- μF capacitor must be connected from VCLAMP (pin 11) to ground and must be rated for at least 16 V. The voltages at the VCLAMP terminal may vary with V_{CC} and may not be used for powering any other circuitry.

BYPASS Capacitor Selection

The scaled supply reference (VBYP) nominally provides an $\text{AV}_{\text{CC}}/8$ internal bias for the preamplifier stages. The external capacitor for this reference, C_{BYP} , is a critical component and serves several important functions. During start-up or recovery from shutdown mode, C_{BYP} determines the rate at which the amplifier starts. The start up time is proportional to 0.5 s per microfarad. Thus, the recommended 1- μF capacitor results in a start-up time of approximately 500 ms. The second function is to reduce noise produced by the power supply caused by coupling with the output drive signal. This noise could result in degraded power-supply rejection and THD+N.

The circuit is designed for a C_{BYP} value of 1 μF for best pop performance. The input capacitors should have the same value. A ceramic or tantalum low-ESR capacitor is recommended.

SHUTDOWN OPERATION

The TPA3125D2 employs a shutdown mode of operation designed to reduce supply current (I_{CC}) to the absolute minimum level during periods of nonuse for power conservation. The SHUTDOWN input terminal should be held high (see specification table for threshold) during normal operation when the amplifier is in use. Pulling SHUTDOWN low causes the outputs to mute and the amplifier to enter a low-current state. Never leave SHUTDOWN unconnected, because amplifier operation would be unpredictable.

For the best power-up pop performance, place the amplifier in the shutdown or mute mode prior to applying the power-supply voltage.

MUTE Operation

The MUTE pin is an input for controlling the output state of the TPA3125D2. A logic high on this terminal causes the outputs to switch at a constant 50% duty cycle. A logic low on this pin enables the outputs. This terminal may be used as a quick disable/enable of outputs when changing channels on a television or transitioning between different audio sources.

The MUTE terminal should never be left floating. For power conservation, the $\overline{\text{SHUTDOWN}}$ terminal should be used when the amp will be off for a significant amount of time to reduce the quiescent current to the absolute minimum level.

USING LOW-ESR CAPACITORS

Low-ESR capacitors are recommended throughout this application section. A real (as opposed to ideal) capacitor can be modeled simply as a resistor in series with an ideal capacitor. The voltage drop across this resistor minimizes the beneficial effects of the capacitor in the circuit. The lower the equivalent value of this resistance, the more the real capacitor behaves like an ideal capacitor.

SHORT-CIRCUIT PROTECTION

The TPA3125D2 has short-circuit protection circuitry on the outputs that prevents damage to the device during output-to-output shorts and output-to-GND shorts after the filter and output capacitor (at the speaker terminal.) Directly at the device terminals, the protection circuitry prevents damage to device during output-to-output, output-to-ground, and output-to-supply. When a short circuit is detected on the outputs, the part immediately disables the output drive. This is an unlatched fault. Normal operation is restored when the fault is removed. The device will try to restart after a 250 ms delay, so in a true fault condition the 250 msec period of the restart attempts can be used to confirm the fault is an over-current type.

THERMAL PROTECTION

Thermal protection on the TPA3125D2 prevents damage to the device when the internal die temperature exceeds 150°C. There is a $\pm 15^\circ\text{C}$ tolerance on this trip point from device to device. Once the die temperature exceeds the thermal set point, the device enters into the shutdown state and the outputs are disabled. This is not a latched fault. The thermal fault is cleared once the temperature of the die is reduced by 30°C. The device begins normal operation at this point with no external system interaction.

PRINTED-CIRCUIT BOARD (PCB) LAYOUT

Because the TPA3125D2 is a class-D amplifier that switches at a high frequency, the layout of the printed-circuit board (PCB) should be optimized according to the following guidelines for the best possible performance.

- Decoupling capacitors—The high-frequency 0.1- μF decoupling capacitors should be placed as close to the PVCC (pins 1 and 10) and AVCC (pins 16 and 17) terminals as possible. The BYPASS (pin 6) capacitor and VCLAMP (pin 9) capacitor should also be placed as close to the device as possible. Large (220- μF or greater) bulk power-supply decoupling capacitors should be placed near the TPA3125D2 on the PVCC and PVCCR terminals.

- Grounding—The AVCC (pins 16 and 17) decoupling capacitor and BYPASS (pin 6) capacitor should each be grounded to analog ground (AGND, pins 7 and 8). The PVCCx decoupling capacitors and VCLAMP capacitors should each be grounded to power ground (PGND, pins 11 and 20). Analog ground and power ground should be connected at the thermal pad, which should be used as a central ground connection or star ground for the TPA3125D2.
- Output filter—The reconstruction filter (22 μ H and 0.68 μ F network in the output circuit) should be placed as close to the output terminals as possible for the best EMI performance. The capacitors should be grounded to power ground.
- Thermal pad—The thermal pad must be soldered to the PCB for proper thermal performance and optimal reliability. The dimensions of the thermal pad and thermal land are described in the mechanical section at the back of the data sheet. See TI Technical Briefs [SLMA002](#) and [SLOA120](#) for more information about using the thermal pad. For recommended PCB footprints, see figures at the end of this data sheet.

For an example layout, see the TPA3125D2 Evaluation Module (TPA3125D2 EVM) User Manual, ([SLOU250](#)). Both the EVM user manual and the thermal pad application note are available on the TI Web site at <http://www.ti.com>.

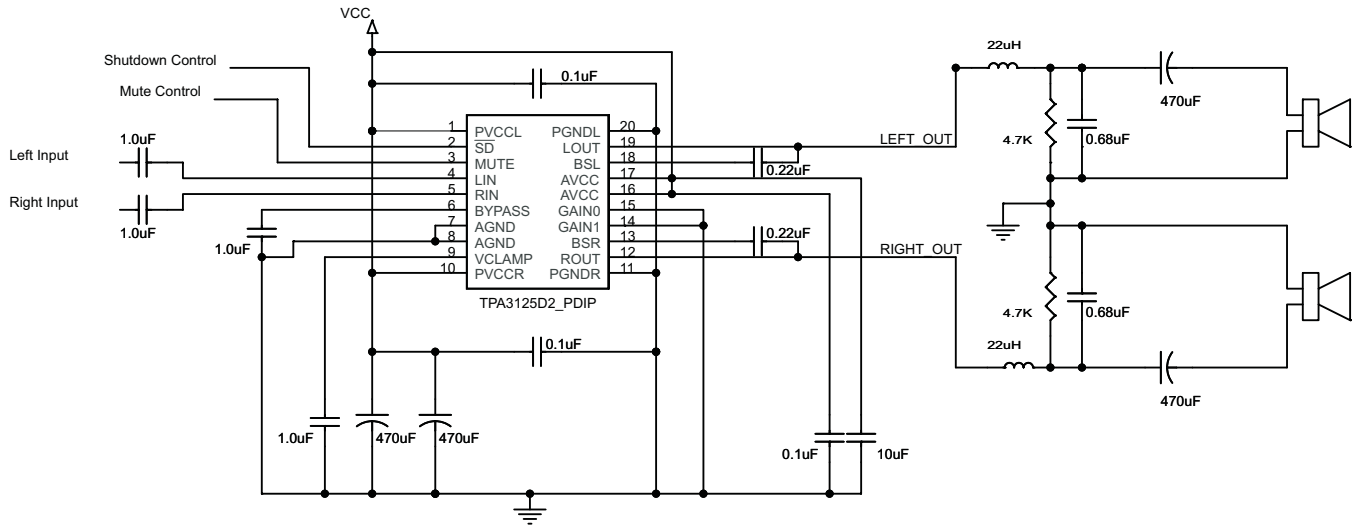


Figure 29. Schematic for Single-Ended (SE) Configuration (8-Ω Speaker)

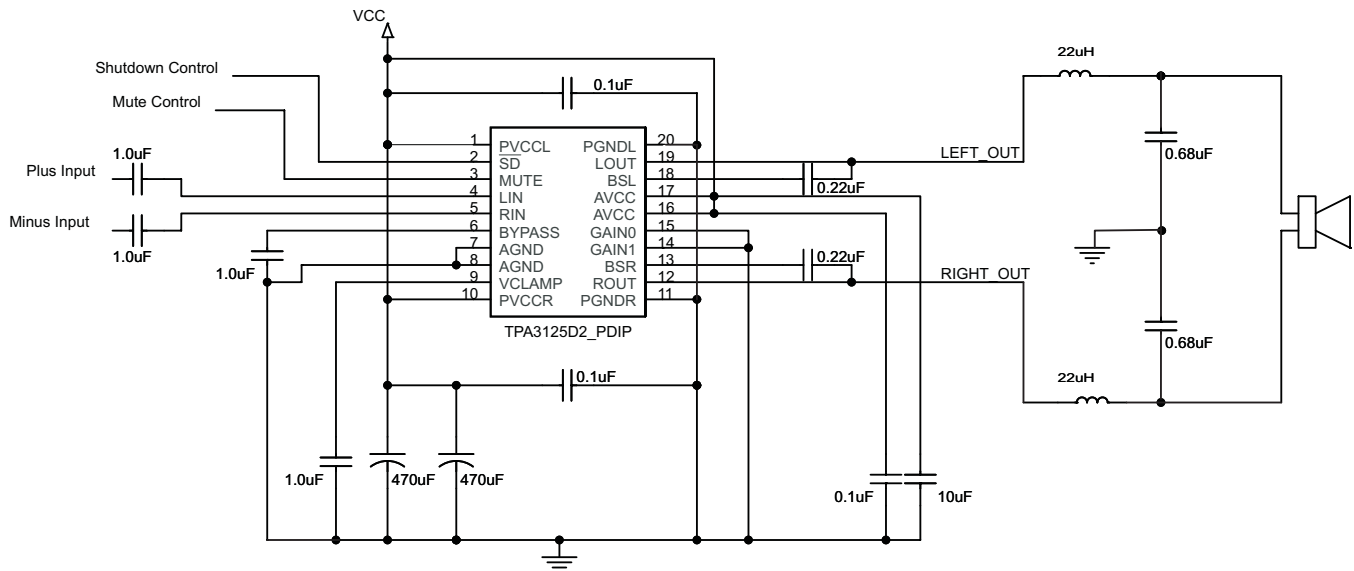


Figure 30. Schematic for Bridge-Tied-Load (BTL) Configuration (8-Ω Speaker)

BASIC MEASUREMENT SYSTEM

This section focuses on methods that use the basic equipment listed below:

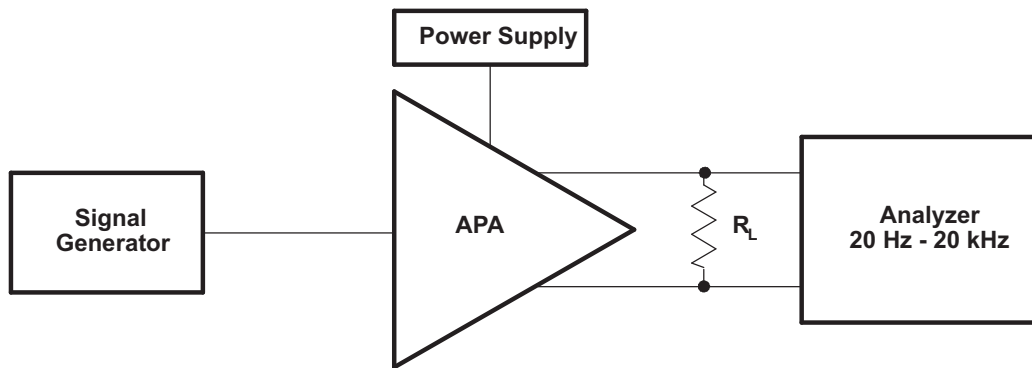
- Audio analyzer or spectrum analyzer
- Digital multi-meter (DMM)
- Oscilloscope
- Twisted-pair wires
- Signal generator
- Power resistor(s)
- Linear regulated power supply
- Filter components
- EVM or other complete audio circuit

Figure 31 shows the block diagrams of basic measurement systems for class-AB and class-D amplifiers. A sine wave is normally used as the input signal because it consists of the fundamental frequency only (no other harmonics are present). An analyzer is then connected to the audio power amplifier (APA) output to measure the voltage output. The analyzer must be capable of measuring the entire audio bandwidth. A regulated dc power supply is used to reduce the noise and distortion injected into the APA through the power pins. A System Two™ audio measurement system (AP-II) by Audio Precision™ includes the signal generator and analyzer in one package.

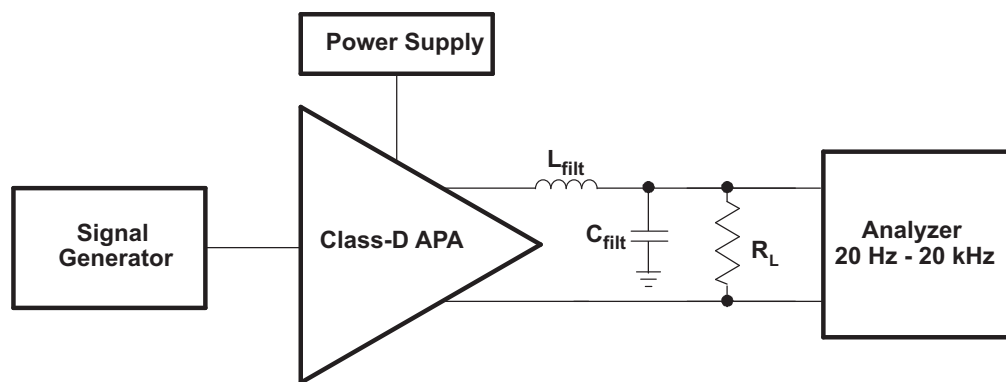
The generator output and amplifier input must be ac-coupled. However, the EVMs already have the ac-coupling capacitors, so no additional coupling is required. The generator output impedance should be low to avoid attenuating the test signal, and is important because the input resistance of APAs is not high. Conversely, the analyzer input impedance should be high. The output resistance, R_{OUT} , of the APA is normally in the hundreds of milliohms and can be ignored for all but the power-related calculations.

Figure 31(a) shows a class-AB amplifier system. It takes an analog signal input and produces an analog signal output. This amplifier circuit can be directly connected to the AP-II or other analyzer input.

This is not true of the class-D amplifier system shown in Figure 31(b), which requires low-pass filters in most cases in order to measure the audio output waveforms. This is because it takes an analog input signal and converts it into a pulse-width modulated (PWM) output signal that is not accurately processed by some analyzers.



(a) Basic Class-AB



(b) Traditional Class-D

Figure 31. Audio Measurement Systems

SE Input and SE Output (TPA3125D2 Stereo Configuration)

The SE input and output configuration is used with class-D amplifiers. A block diagram of a fully SE measurement circuit is shown in Figure 32. SE inputs normally have one input pin per channel. In some cases, two pins are present; one is the signal and the other is ground. SE outputs have one pin driving a load through an output ac-coupling capacitor and the other end of the load is tied to ground. SE inputs and outputs are considered to be unbalanced, meaning one end is tied to ground and the other to an amplifier input/output.

The generator should have unbalanced outputs, and the signal should be referenced to the generator ground for best results. Unbalanced or balanced outputs can be used when floating, but they may create a ground loop that affects the measurement accuracy. The analyzer should have balanced inputs to cancel out any common-mode noise in the measurement.

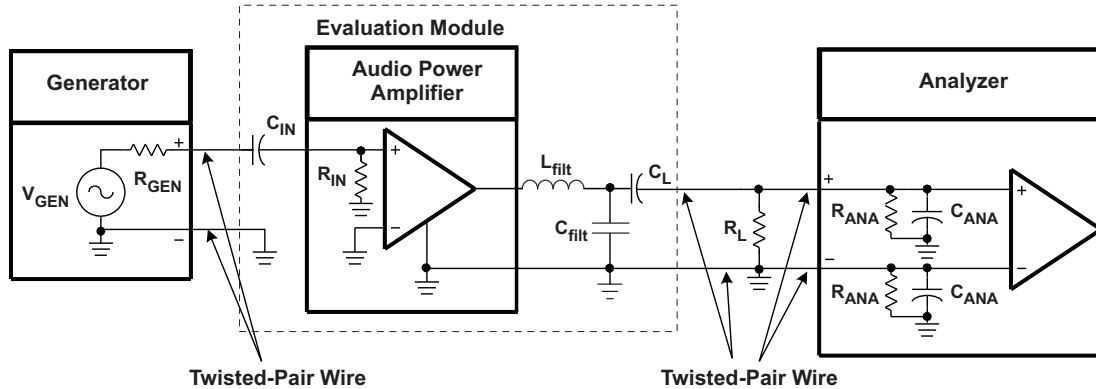


Figure 32. SE Input—SE Output Measurement Circuit

The following general rules should be followed when connecting to APAs with SE inputs and outputs:

- Use an unbalanced source to supply the input signal.
- Use an analyzer with balanced inputs.
- Use twisted-pair wire for all connections.
- Use shielding when the system environment is noisy.
- Ensure the cables from the power supply to the APA, and from the APA to the load, can handle the large currents (see Table 5).

DIFFERENTIAL INPUT AND BTL OUTPUT (TPA3125D2 Mono Configuration)

Many of the class-D APAs and many class-AB APAs have differential inputs and bridge-tied-load (BTL) outputs. Differential inputs have two input pins per channel and amplify the difference in voltage between the pins. Differential inputs reduce the common-mode noise and distortion of the input circuit. BTL is a term commonly used in audio to describe differential outputs. BTL outputs have two output pins providing audio signals that are 180° out of phase. The load is connected between these pins. This has the added benefits of quadrupling the output power to the load and eliminating a dc-blocking capacitor.

A block diagram of the measurement circuit is shown in Figure 33. The differential input is a balanced input, meaning the positive (+) and negative (–) pins have the same impedance to ground. Similarly, the BTL output equates to a balanced output.

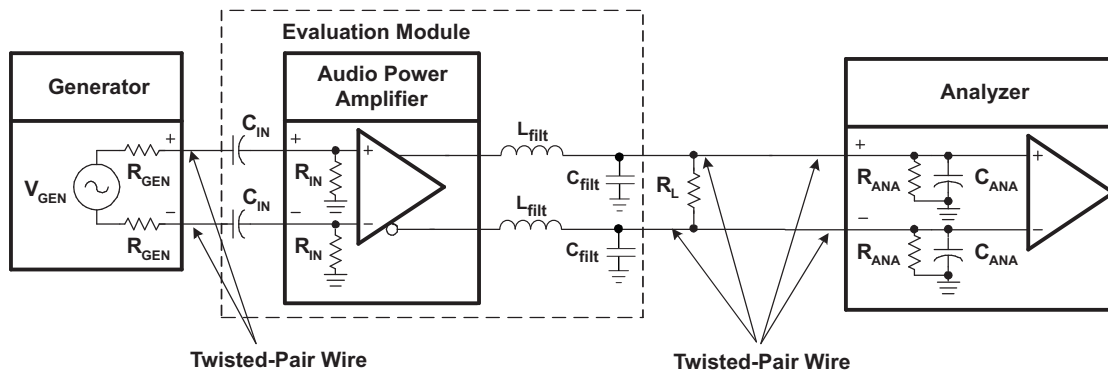


Figure 33. Differential Input, BTL Output Measurement Circuit

The generator should have balanced outputs, and the signal should be balanced for best results. An unbalanced output can be used, but it may create a ground loop that affects the measurement accuracy. The analyzer must also have balanced inputs for the system to be fully balanced, thereby cancelling out any common-mode noise in the circuit and providing the most accurate measurement.

The following general rules should be followed when connecting to APAs with differential inputs and BTL outputs:

- Use a balanced source to supply the input signal.
- Use an analyzer with balanced inputs.
- Use twisted-pair wire for all connections.
- Use shielding when the system environment is noisy.
- Ensure that the cables from the power supply to the APA, and from the APA to the load, can handle the large currents (see Table 5).

Table 5 shows the recommended wire size for the power supply and load cables of the APA system. The real concern is the dc or ac power loss that occurs as the current flows through the cable. These recommendations are based on 12-inch (30.5-cm)-long wire with a 20-kHz sine-wave signal at 25°C.

Table 5. Recommended Minimum Wire Size for Power Cables

P _{OUT} (W)	R _L (Ω)	AWG Size		DC POWER LOSS (mW)		AC POWER LOSS (mW)	
10	4	18	22	16	40	18	42
2	4	18	22	3.2	8	3.7	8.5
1	8	22	28	2	8	2.1	8.1
< 0.75	8	22	28	1.5	6.1	1.6	6.2

PACKAGING INFORMATION

Orderable Device	Status (1)	Package Type	Package Drawing	Pins	Package Qty	Eco Plan (2)	Lead finish/ Ball material (6)	MSL Peak Temp (3)	Op Temp (°C)	Device Marking (4/5)	Samples
TPA3125D2N	ACTIVE	PDIP	N	20	20	RoHS & Green	NIPDAU	N / A for Pkg Type	-40 to 85	TPA3125D2	Samples

(1) The marketing status values are defined as follows:

ACTIVE: Product device recommended for new designs.

LIFEBUY: TI has announced that the device will be discontinued, and a lifetime-buy period is in effect.

NRND: Not recommended for new designs. Device is in production to support existing customers, but TI does not recommend using this part in a new design.

PREVIEW: Device has been announced but is not in production. Samples may or may not be available.

OBSELETE: TI has discontinued the production of the device.

(2) **RoHS:** TI defines "RoHS" to mean semiconductor products that are compliant with the current EU RoHS requirements for all 10 RoHS substances, including the requirement that RoHS substance do not exceed 0.1% by weight in homogeneous materials. Where designed to be soldered at high temperatures, "RoHS" products are suitable for use in specified lead-free processes. TI may reference these types of products as "Pb-Free".

RoHS Exempt: TI defines "RoHS Exempt" to mean products that contain lead but are compliant with EU RoHS pursuant to a specific EU RoHS exemption.

Green: TI defines "Green" to mean the content of Chlorine (Cl) and Bromine (Br) based flame retardants meet JS709B low halogen requirements of <=1000ppm threshold. Antimony trioxide based flame retardants must also meet the <=1000ppm threshold requirement.

(3) MSL, Peak Temp. - The Moisture Sensitivity Level rating according to the JEDEC industry standard classifications, and peak solder temperature.

(4) There may be additional marking, which relates to the logo, the lot trace code information, or the environmental category on the device.

(5) Multiple Device Markings will be inside parentheses. Only one Device Marking contained in parentheses and separated by a "-" will appear on a device. If a line is indented then it is a continuation of the previous line and the two combined represent the entire Device Marking for that device.

(6) Lead finish/Ball material - Orderable Devices may have multiple material finish options. Finish options are separated by a vertical ruled line. Lead finish/Ball material values may wrap to two lines if the finish value exceeds the maximum column width.

Important Information and Disclaimer:The information provided on this page represents TI's knowledge and belief as of the date that it is provided. TI bases its knowledge and belief on information provided by third parties, and makes no representation or warranty as to the accuracy of such information. Efforts are underway to better integrate information from third parties. TI has taken and continues to take reasonable steps to provide representative and accurate information but may not have conducted destructive testing or chemical analysis on incoming materials and chemicals. TI and TI suppliers consider certain information to be proprietary, and thus CAS numbers and other limited information may not be available for release.

In no event shall TI's liability arising out of such information exceed the total purchase price of the TI part(s) at issue in this document sold by TI to Customer on an annual basis.

N (R-PDIP-T**)

PLASTIC DUAL-IN-LINE PACKAGE

16 PINS SHOWN



- NOTES:
- A. All linear dimensions are in inches (millimeters).
 - B. This drawing is subject to change without notice.
 - C Falls within JEDEC MS-001, except 18 and 20 pin minimum body length (Dim A).
 - D The 20 pin end lead shoulder width is a vendor option, either half or full width.

IMPORTANT NOTICE AND DISCLAIMER

TI PROVIDES TECHNICAL AND RELIABILITY DATA (INCLUDING DATASHEETS), DESIGN RESOURCES (INCLUDING REFERENCE DESIGNS), APPLICATION OR OTHER DESIGN ADVICE, WEB TOOLS, SAFETY INFORMATION, AND OTHER RESOURCES "AS IS" AND WITH ALL FAULTS, AND DISCLAIMS ALL WARRANTIES, EXPRESS AND IMPLIED, INCLUDING WITHOUT LIMITATION ANY IMPLIED WARRANTIES OF MERCHANTABILITY, FITNESS FOR A PARTICULAR PURPOSE OR NON-INFRINGEMENT OF THIRD PARTY INTELLECTUAL PROPERTY RIGHTS.

These resources are intended for skilled developers designing with TI products. You are solely responsible for (1) selecting the appropriate TI products for your application, (2) designing, validating and testing your application, and (3) ensuring your application meets applicable standards, and any other safety, security, or other requirements. These resources are subject to change without notice. TI grants you permission to use these resources only for development of an application that uses the TI products described in the resource. Other reproduction and display of these resources is prohibited. No license is granted to any other TI intellectual property right or to any third party intellectual property right. TI disclaims responsibility for, and you will fully indemnify TI and its representatives against, any claims, damages, costs, losses, and liabilities arising out of your use of these resources.

TI's products are provided subject to TI's Terms of Sale (<https://www.ti.com/legal/termsofsale.html>) or other applicable terms available either on [ti.com](https://www.ti.com) or provided in conjunction with such TI products. TI's provision of these resources does not expand or otherwise alter TI's applicable warranties or warranty disclaimers for TI products.

Mailing Address: Texas Instruments, Post Office Box 655303, Dallas, Texas 75265
Copyright © 2021, Texas Instruments Incorporated