

LP5569 Nine-Channel I²C RGB LED Driver With Engine Control and Charge Pump

1 Features

- Supply Voltage Range: 2.5 V–5.5 V
- Nine High-Accuracy Current Sinks
 - 25.5 mA Maximum per Channel
 - 8-Bit Individual Current Control
 - 12-Bit 20-kHz Internal Individual PWM Control Without Audio Noise
- Three Programmable LED Engines
 - Independent Illumination Control Without Active Microcontroller Control
 - Synchronization Among Multiple Devices
 - Up to 256 Instructions in SRAM Memory for Storing Sequences of Lighting Patterns
 - LP5523- and LP55231-Device-Compatible Command Set
- Flexible Dimming Control
 - I²C Dimming Control
 - PWM Direct-Input Dimming
 - PWM Input Frequency: 100-Hz to 20-kHz
- Adaptive High-Efficiency Charge-Pump Control for Driving High-V_F LEDs With Low Battery Voltage
- Master Fader Control Allows Dimming of Multiple LEDs by Writing to Only One Register to Reduce the I²C Bus Traffic
- 2- μ A Low Standby Current and 10- μ A in Automatic Power-Save Mode When LEDs Are Inactive
- POR, UVLO, and TSD Protection

2 Applications

LED Lighting, Indicator Lights, and Fun Lights for:

- Smart Speaker
- Smart Home Appliance
- Doorbell
- Electric Lock
- Smoke Detector
- Thermostat
- Set-Top Box
- Smart Router
- Bluetooth® Headset
- Cell Phone

3 Description

The LP5569 device is a programmable, easy-to-use 9-channel I²C LED driver designed to produce lighting effects for various applications. The LED driver is equipped with an internal SRAM memory for user-programmed sequences and three programmable LED engines, which allow operation without processor control. Autonomous operation reduces system power consumption when the processor is put in sleep mode.

A high-efficiency charge pump enables the driving of LEDs with high V_F, even with 2.5-V input voltage. The LP5569 LED driver maintains good efficiency over a wide operational voltage range by autonomously selecting the best charge-pump gain based on LED forward voltage requirements.

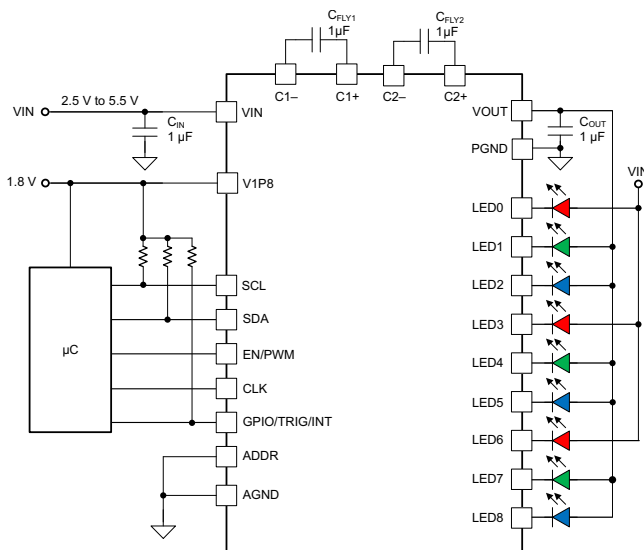
The LP5569 device enters power-save mode when LEDs are not active, lowering idle-current consumption considerably. A flexible digital interface allows the connection of up to eight LP5569 devices with a unique I²C slave address for each device in the same system, which supports synchronization of the lighting effects among all devices.

Device Information⁽¹⁾

PART NUMBER	PACKAGE	BODY SIZE (NOM)
LP5569	WQFN (24)	4.00 mm x 4.00 mm

(1) For all available packages, see the orderable addendum at the end of the data sheet.

Simplified Schematic



Copyright © 2017, Texas Instruments Incorporated



Table of Contents

1 Features	1	8.1 Overview	11
2 Applications	1	8.2 Functional Block Diagram	12
3 Description	1	8.3 Feature Description	13
4 Revision History	2	8.4 Device Functional Modes	21
5 Device Comparison Table	3	8.5 Programming	23
6 Pin Configuration and Functions	3	8.6 Register Maps	38
7 Specifications	5	9 Application and Implementation	78
7.1 Absolute Maximum Ratings	5	9.1 Application Information	78
7.2 ESD Ratings	5	9.2 Typical Applications	78
7.3 Recommended Operating Conditions	5	10 Power Supply Recommendations	82
7.4 Thermal Information	5	11 Layout	83
7.5 Electrical Characteristics	6	11.1 Layout Guidelines	83
7.6 Charge-Pump Electrical Characteristics	6	11.2 Layout Example	84
7.7 LED Current Sinks Electrical Characteristics	7	12 Device and Documentation Support	85
7.8 Logic Interface Characteristics	7	12.1 Device Support	85
7.9 Timing Requirements (EN/PWM)	7	12.2 Receiving Notification of Documentation Updates	85
7.10 Serial-Bus Timing Requirements (SDA, SCL), See		12.3 Community Resources	85
Figure 1	8	12.4 Trademarks	85
7.11 External Clock Timing Requirements (CLK), See		12.5 Electrostatic Discharge Caution	85
Figure 2	8	12.6 Glossary	85
7.12 Typical Characteristics	9	13 Mechanical, Packaging, and Orderable	
8 Detailed Description	11	Information	85

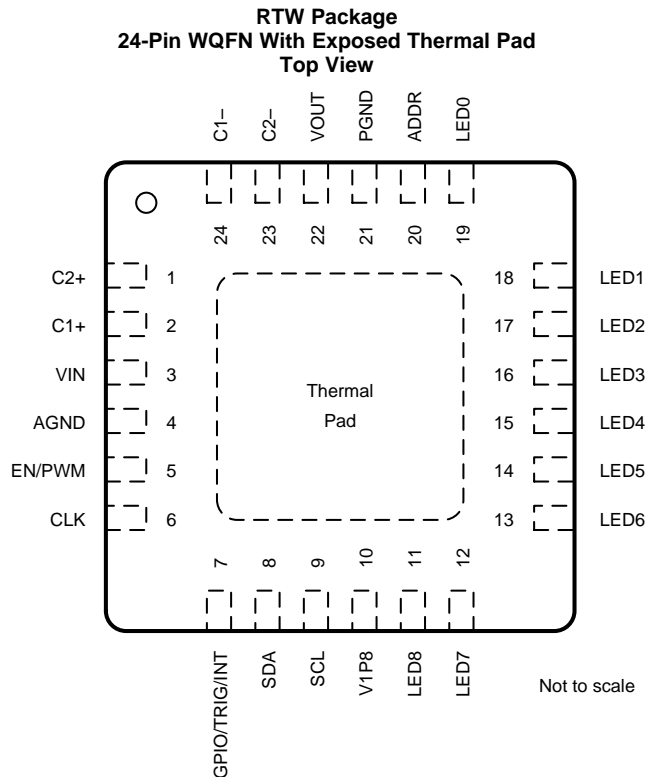
4 Revision History

Changes from Original (July 2017) to Revision A	Page
• Added typical curves	9

5 Device Comparison Table

PART NUMBER	GROUP	I ² C SLAVE ADDRESS
LP5569	0	32h–35h and 40h (see I²C Slave Addressing)
LP5569A	1	42h–45h and 40h (see I²C Slave Addressing)

6 Pin Configuration and Functions



Pin Functions

PIN		TYPE ⁽¹⁾	DESCRIPTION
NAME	NO.		
ADDR	20	I	I ² C slave-address selection pin. See I²C Slave Addressing for more details. This pin must not be left floating.
AGND	4	G	Analog and digital ground. Connect to PGND, exposed thermal pad, and common ground plane.
C1–	24	A	Negative pin of charge-pump flying capacitor 1. If charge pump is not used, this pin must be left floating.
C1+	2	A	Positive pin of charge-pump flying capacitor 1. If charge pump is not used, this pin must be left floating.
C2–	23	A	Negative pin of charge-pump flying capacitor 2. If charge pump is not used, this pin must be left floating.
C2+	1	A	Positive pin of charge-pump flying capacitor 2. If charge pump is not used, this pin must be left floating.
CLK	6	I, OD	Clock input/output. By default this pin is a clock input. If not used, this pin must be connected to GND or VIN.
EN/PWM	5	I	Chip enable and PWM input pin.

(1) A: analog pin; G: ground pin; P: power pin; I: input pin; OD: open-drain output pin

Pin Functions (continued)

PIN		TYPE ⁽¹⁾	DESCRIPTION
NAME	NO.		
GPIO/TRIG/INT	7	I, OD	General-purpose input or open-drain output, or trigger input or open-drain output, or interrupt open-drain output. This pin function is configured in the I ² C registers. By default this pin is a general-purpose output (open-drain) and can be left floating if not used.
LED0	19	A	LED current sink 0. If not used, this pin can be left floating.
LED1	18	A	LED current sink 1. If not used, this pin can be left floating.
LED2	17	A	LED current sink 2. If not used, this pin can be left floating.
LED3	16	A	LED current sink 3. If not used, this pin can be left floating.
LED4	15	A	LED current sink 4. If not used, this pin can be left floating.
LED5	14	A	LED current sink 5. If not used, this pin can be left floating.
LED6	13	A	LED current sink 6. If not used, this pin can be left floating.
LED7	12	A	LED current sink 7. If not used, this pin can be left floating.
LED8	11	A	LED current sink 8. If not used, this pin can be left floating.
PGND	21	G	Charge-pump power ground. Connect to AGND, exposed thermal pad, and common ground plane.
SCL	9	I	I ² C bus clock line. If not used, this pin must be connected to GND or VIN.
SDA	8	I, OD	I ² C bus data line. If not used, this pin must be connected to GND or VIN.
V1P8	10	P	Input power for digital circuitry.
VIN	3	P	Input power, a 1- μ F capacitor must be connected between PGND and this pin.
VOUT	22	A	Charge-pump output voltage. If charge pump is used, a 1- μ F capacitor must be connected between PGND and this pin. If charge pump is not used or is used in 1x mode only, the capacitor can be omitted.
Exposed thermal pad	—	—	Must be connected to AGND (pin 4), PGND (pin 21), and common ground plane. See Layout Example . Must be soldered to achieve appropriate power dissipation and mechanical reliability.

7 Specifications

7.1 Absolute Maximum Ratings

over operating ambient temperature range (unless otherwise noted)⁽¹⁾

	MIN	MAX	UNIT
Voltage on VIN, CLK, ADDR, EN/PWM, GPIO/TRIG/INT, SCL, SDA, VOUT ⁽²⁾	-0.3	6	V
Voltage on LED0 to LED8, C1-, C2-, C1+, C2+	-0.3	$V_{VIN} + 0.3\text{ V}$ with 6 V max.	V
Voltage on V1P8	-0.3	2	V
Continuous power dissipation	Internally limited	Internally limited	
Junction temperature, T_{J-MAX}	-40	125	°C
Storage temperature, T_{stg}	-65	150	°C

- (1) Stresses beyond those listed under *Absolute Maximum Ratings* may cause permanent damage to the device. These are stress ratings only, which do not imply functional operation of the device at these or any other conditions beyond those indicated under *Recommended Operating Conditions*. Exposure to absolute-maximum-rated conditions for extended periods may affect device reliability.
- (2) VOUT cannot be forced to a power supply during device shutdown.

7.2 ESD Ratings

		VALUE	UNIT
$V_{(ESD)}$ Electrostatic discharge	Human-body model (HBM), per ANSI/ESDA/JEDEC JS-001 ⁽¹⁾	±2500	V
	Charged-device model (CDM), per JEDEC specification JESD22-C101 ⁽²⁾	±250	

- (1) JEDEC document JEP155 states that 500-V HBM allows safe manufacturing with a standard ESD control process.
- (2) JEDEC document JEP157 states that 250-V CDM allows safe manufacturing with a standard ESD control process.

7.3 Recommended Operating Conditions

over operating ambient temperature range (unless otherwise noted)

	MIN	MAX	UNIT
Input voltage on VIN	2.5	5.5	V
Voltage on LED0 to LED8, C1-, C2-, C1+, C2+, VOUT	0	V_{VIN}	V
Voltage on CLK, ADDR, EN/PWM, GPIO/TRIG/INT, SDA, SCL	0	V_{VIN}	V
Input voltage on V1P8	1.65	1.95	V
Output current on VOUT	0	160	mA
Operating ambient temperature, T_A ⁽¹⁾	-40	85	°C

- (1) In applications where high power dissipation and/or poor PCB cooling status is present, the maximum ambient temperature might require derating. Maximum ambient temperature (T_{A-MAX}) is dependent on the maximum operating junction temperature ($T_{J-MAX-OP} = 125^\circ\text{C}$), the maximum power dissipation of the device in the application (P_{D-MAX}), and the junction-to ambient thermal resistance of the device in the application ($R_{\theta JA}$), as given by the equation: $T_{A-MAX} = T_{J-MAX-OP} - (R_{\theta JA} \times P_{D-MAX})$.

7.4 Thermal Information

THERMAL METRIC ⁽¹⁾		LP5569	UNIT
		RTW (WQFN)	
		24 PINS	
$R_{\theta JA}$	Junction-to-ambient thermal resistance	35.8	°C/W
$R_{\theta JC(top)}$	Junction-to-case (top) thermal resistance	26.7	°C/W
$R_{\theta JB}$	Junction-to-board thermal resistance	13.1	°C/W
Ψ_{JT}	Junction-to-top characterization parameter	0.4	°C/W
Ψ_{JB}	Junction-to-board characterization parameter	13.1	°C/W
$R_{\theta JC(bot)}$	Junction-to-case (bottom) thermal resistance	4.6	°C/W

- (1) For more information about traditional and new thermal metrics, see [Semiconductor and IC Package Thermal Metrics](#).

7.5 Electrical Characteristics

Unless otherwise noted, specifications apply to the LP5569 device in a circuit per the typical application diagram for the single device with $V_{VIN} = 3.6\text{ V}$, $V_{1P8} = 1.8\text{ V}$, $V_{EN/PWM} = V_{VIN}$, $C_{IN} = C_{OUT} = C_{FLY1} = C_{FLY2} = 1\text{ }\mu\text{F}$. Typical (TYP) values apply for $T_A = 25^\circ\text{C}$ and minimum (MIN) and maximum (MAX) apply over the operating ambient temperature range ($-40^\circ\text{C} < T_A < 85^\circ\text{C}$).

PARAMETER		TEST CONDITIONS	MIN	TYP	MAX	UNIT
I_{VIN}	Standby supply current	$V_{EN/PWM} = 0\text{ V}$, chip_en (bit) = 0		0.2	1	μA
		$V_{EN/PWM} = 3.3\text{ V}$, chip_en (bit) = 0, external CLK not running		1	2	
		$V_{EN/PWM} = 3.3\text{ V}$, chip_en (bit) = 0, external CLK running		2	4	
	Normal-mode supply current	External CLK running, charge pump and current sinks disabled		56	70	μA
		Charge pump in 1x mode, no load, current sinks disabled		65	90	
		Charge pump in 1.5x mode, no load, current-sink outputs disabled		1.8		mA
Power-save mode supply current	External CLK running, see Automatic Power-Save Mode		10	15	μA	
	Internal oscillator running		10	15		
I_{V1P8}	Standby supply current	$V_{EN/PWM} = 0\text{ V}$, chip_en (bit) = 0		0.2	1	μA
		$V_{EN/PWM} = 3.3\text{ V}$, chip_en (bit) = 0, external CLK not running		0.2	2	μA
		$V_{EN/PWM} = 3.3\text{ V}$, chip_en (bit) = 0, external CLK running		1	4	μA
	Normal-mode supply current	External CLK running, charge pump and current sinks disabled		174	190	μA
		Charge pump in 1x mode, no load, current sinks disabled		174	190	μA
		Charge pump in 1.5x mode, no load, current-sink- outputs disabled		180		μA
	Powersave-mode supply current	External CLK running		1	5	μA
Internal oscillator running			1	5	μA	
f_{osc}	32-kHz internal oscillator frequency accuracy	$T_A = 25^\circ\text{C}$	-10%		10%	
	10-MHz internal oscillator frequency accuracy		-7%		7%	
V_{UVLO}	Undervoltage lockout	V_{VIN} falling		2.2		V
		V_{VIN} rising		2.3		

7.6 Charge-Pump Electrical Characteristics

PARAMETER		TEST CONDITIONS	MIN	TYP	MAX	UNIT
R_{OUT}	Charge-pump output resistance	Gain = 1x, $V_{VIN} = 4.2\text{ V}$		1		Ω
		Gain = 1.5x, $V_{VIN} = 3.7\text{ V}$		3.5		
V_{OUT}		$V_{VIN} = 3.7\text{ V}$, $I_{OUT} = 160\text{ mA}$, gain = 1.5x	4.41	4.5	4.59	V
f_{sw}	Switching frequency			1.25		MHz
I_{CL}	Output current limit	$V_{OUT} = 0\text{ V}$, $V_{VIN} = 3.7\text{ V}$, CP_CONFIG = 0xFF		600		mA
t_{ON}	V_{OUT} turnon time	$I_{OUT} = 0\text{ mA}$, $V_{IN} \geq 3\text{ V}$, $V_{OUT} > 4.1\text{ V}$, gain = 1.5x		100		μs
I_{OUT}	Maximum output current	$V_{VIN} > 3.1\text{ V}$, V_{OUT} dropped 10%, gain = 1.5x		200		mA
		$V_{IN} > 2.5\text{ V}$, V_{OUT} dropped 10%, gain = 1.5x		150		

7.7 LED Current Sinks Electrical Characteristics

PARAMETER		TEST CONDITIONS	MIN	TYP	MAX	UNIT
$I_{LEAKAGE}$	Leakage current (LED0 to LED8)	PWM = 0%, $V_{LED} = 5\text{ V}$			1	μA
I_{MAX}	Maximum sink current		24.5	25.5	26.5	mA
I_{LED_ACC}	Sink current accuracy ⁽¹⁾	Current set to 17.5 mA. PWM = 100%	-4.5%		4.5%	
I_{LED_MATCH}	Matching ⁽¹⁾	Current set to 17.5 mA		1%	2.5%	
f_{LED}	LED switching frequency			19.5		kHz
V_{SAT}	Saturation voltage ⁽²⁾	Output current set to 25.5 mA		90	110	mV

- (1) Output-current accuracy is the difference between the actual value of the output current and the programmed value of this current. Matching is the maximum difference from the average. For the constant-current outputs on the device (LED0 to LED8), the following are determined: the maximum output current (MAX), the minimum output current (MIN), and the average output current of all outputs (AVG). The matching number is calculated: $(MAX - MIN) / AVG$. The typical specification provided is the most likely norm of the matching figure for all devices. Note that some manufacturers have different definitions in use.
- (2) Saturation voltage is defined as the voltage when the LED current has dropped 10% from the value measured at 1 V.

7.8 Logic Interface Characteristics

PARAMETER		TEST CONDITIONS	MIN	TYP	MAX	UNIT
LOGIC INPUT (EN/PWM, SCL, ADDR)						
V_{IL}	Input low level				0.4	V
V_{IH}	Input high level		1.25			V
I_{IKG}	Input leakage current	$V_I \leq V_{VIN}$	-1		1	μA
LOGIC OUTPUT (SDA, GPIO/TRIG/INT, CLK)						
V_{IL}	Input low level	Pin configured as input			0.4	V
V_{IH}	Input high level	Pin configured as input	1.25			V
I_{IKG}	Input leakage current	Pin configured as input, $V_{VIN} = 5.5\text{ V}$, $V_I \leq V_{VIN}$	-1		1	μA
V_{OL}	Output low level	$I_{PULLUP} = 3\text{ mA}$		0.2	0.5	V
I_L	Output leakage current	Pin configured as output, Hi-Z state			1	μA

7.9 Timing Requirements (EN/PWM)

		MIN	TYP	MAX	UNIT
t_{EN}	Enable time, EN/PWM first rising edge until first I ² C access		2	3	ms
$t_{EN_TIMEOUT}$	EN timeout, EN/PWM = low time while in standby mode (enable function)		15		ms
$t_{PWM_TIMEOUT}$	PWM timeout, EN/PWM = low time while in normal mode (PWM function)		15		ms
PWM_{res}	Resolution for EN/PWM input when configured as PWM, $f_{PWM} = 10\text{ kHz}$		10		bits

7.10 Serial-Bus Timing Requirements (SDA, SCL), See Figure 1

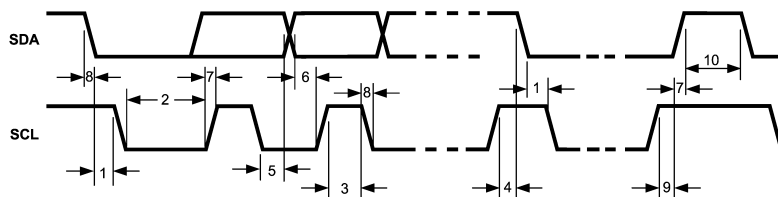
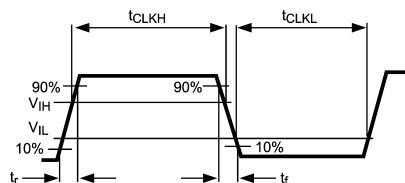
 I²C fast mode

		MIN	MAX	UNIT
f_{SCL}	Clock frequency	0	400	kHz
1	Hold time (repeated) START condition	0.6		μ s
2	Clock low time	1.3		μ s
3	Clock high time	600		ns
4	Setup time for a repeated START condition	600		ns
5	Data hold time	0		ns
6	Data setup time	100		ns
7	Rise time of SDA and SCL	$20 + 0.1C_b$	300	ns
8	Fall time of SDA and SCL	$15 + 0.1C_b$	300	ns
9	Setup time for STOP condition	600		ns
10	Bus-free time between a STOP and a START condition	1.3		μ s
C_b	Capacitive load for each bus line	10	200	pF

7.11 External Clock Timing Requirements (CLK), See Figure 2

over operating ambient temperature range (unless otherwise noted)

		MIN	TYP	MAX	UNIT
f_{CLK}	Clock frequency		32.7		kHz
t_{CLKH}	High time	6			μ s
t_{CLKL}	Low time	6			μ s
t_r	Clock rise time, 10% rising edge to 90% rising edge			2	μ s
t_f	Clock fall time, 90% falling edge to 10% falling edge			2	μ s


Figure 1. Timing Parameters

Figure 2. External Clock Signal

7.12 Typical Characteristics

Unless otherwise specified: $V_{VIN} = 3.6\text{ V}$, $C_{IN} = C_{OUT} = 1\ \mu\text{F}$, $C1 = C2 = 1\ \mu\text{F}$, $T_A = 25^\circ\text{C}$. C_{IN} , C_{OUT} , $C1$, $C2$: Low-ESR surface-mount ceramic capacitors (MLCCs) used in setting electrical characteristics.

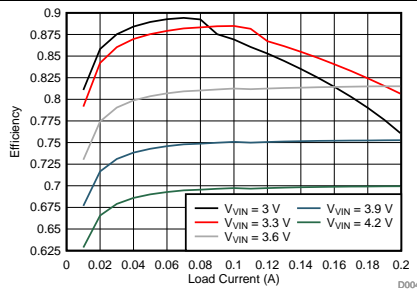


Figure 3. Charge Pump 1.5x Efficiency vs Load Current

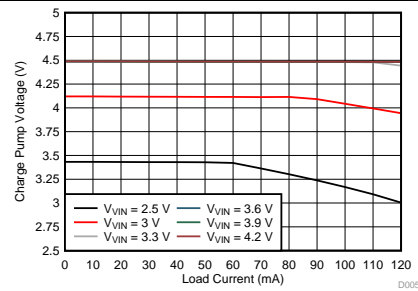


Figure 4. Output Voltage of the Charge Pump (1.5x) as a Function of Load Current at Six Input Voltage Levels

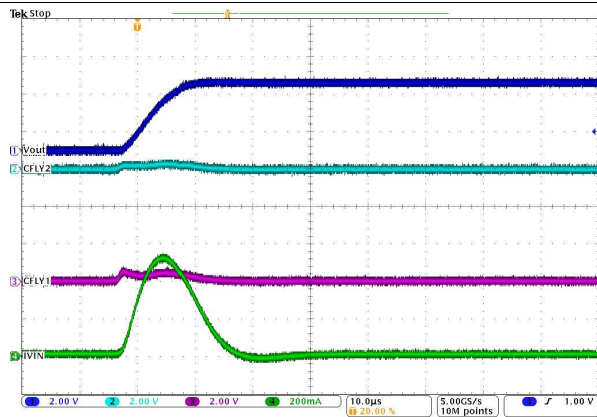


Figure 5. Charge Pump (1x) Start-Up Waveform

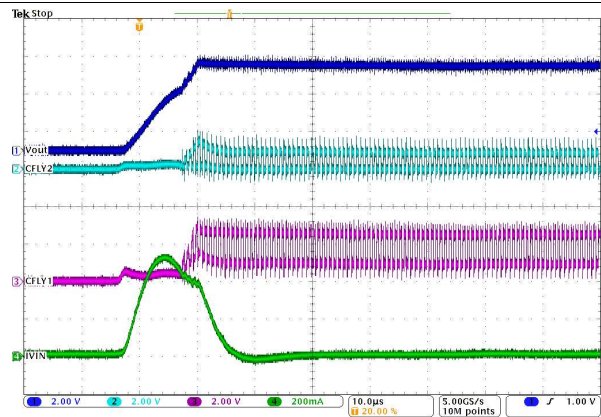


Figure 6. Charge Pump (1.5x) Start-Up Waveform

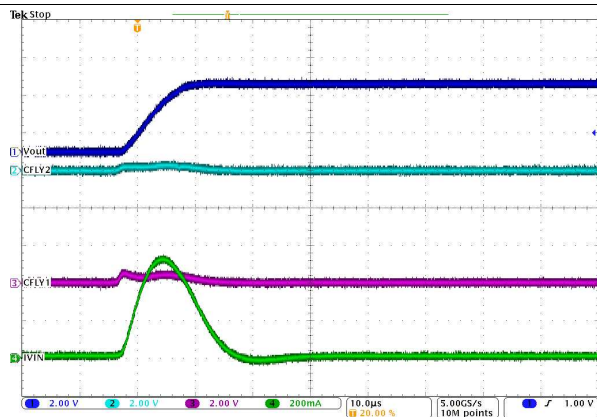


Figure 7. Charge Pump (Auto) Start-Up Waveform

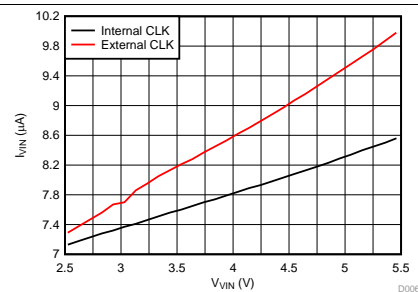


Figure 8. Supply Current in Power-Save Mode vs V_{VIN}

Typical Characteristics (continued)

Unless otherwise specified: $V_{VIN} = 3.6\text{ V}$, $C_{IN} = C_{OUT} = 1\ \mu\text{F}$, $C1 = C2 = 1\ \mu\text{F}$, $T_A = 25^\circ\text{C}$. C_{IN} , C_{OUT} , $C1$, $C2$: Low-ESR surface-mount ceramic capacitors (MLCCs) used in setting electrical characteristics.

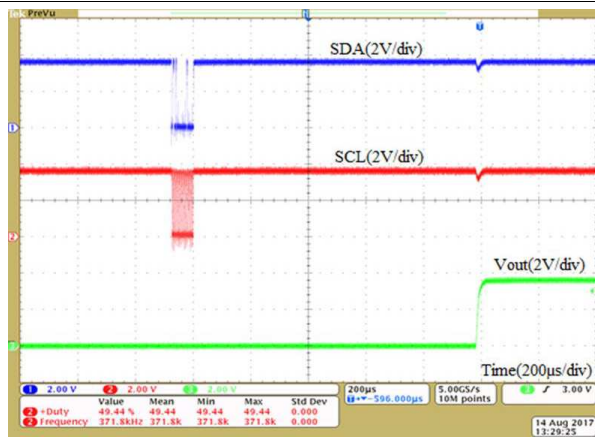
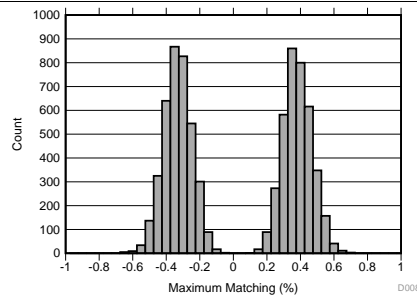
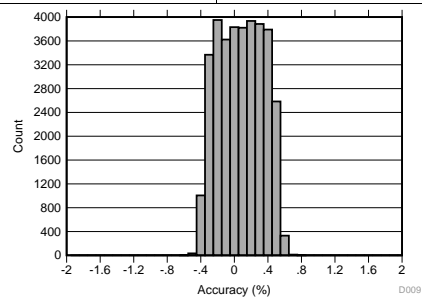


Figure 9. Serial Bus Write and Charge Pump Start-Up Waveform



I_{LEDx} setting per channel = 17.5 mA

Figure 10. LED Current Matching Distribution



I_{LEDx} setting per channel = 17.5 mA

Figure 11. LED Current Accuracy Distribution

8 Detailed Description

8.1 Overview

The LP5569 device is a fully integrated lighting management unit for producing lighting effects for various LED applications. The LP5569 device includes all necessary power management, low-side current sinks, two-wire serial I²C-compatible interface, and programmable LED engines. The overall maximum current for each of the nine drivers is set with 8-bit resolution. The LP5569 device controls LED luminance with a pulse-width modulation (PWM) scheme with a resolution of 12 bits at 20 kHz, which is achieved by using 3-bit dithering.

8.1.1 Programming

The LP5569 device provides flexibility and programmability for dimming and sequencing control. Each LED can be controlled directly and independently through the serial interface, or LED drivers can be grouped together for preprogrammed flashing patterns. The device has three independent program execution engines. Each engine can control 1 to 9 LED driver outputs, but more than one engine cannot simultaneously control the same LED driver output. Any engine can be used as the master fader for all three engines.

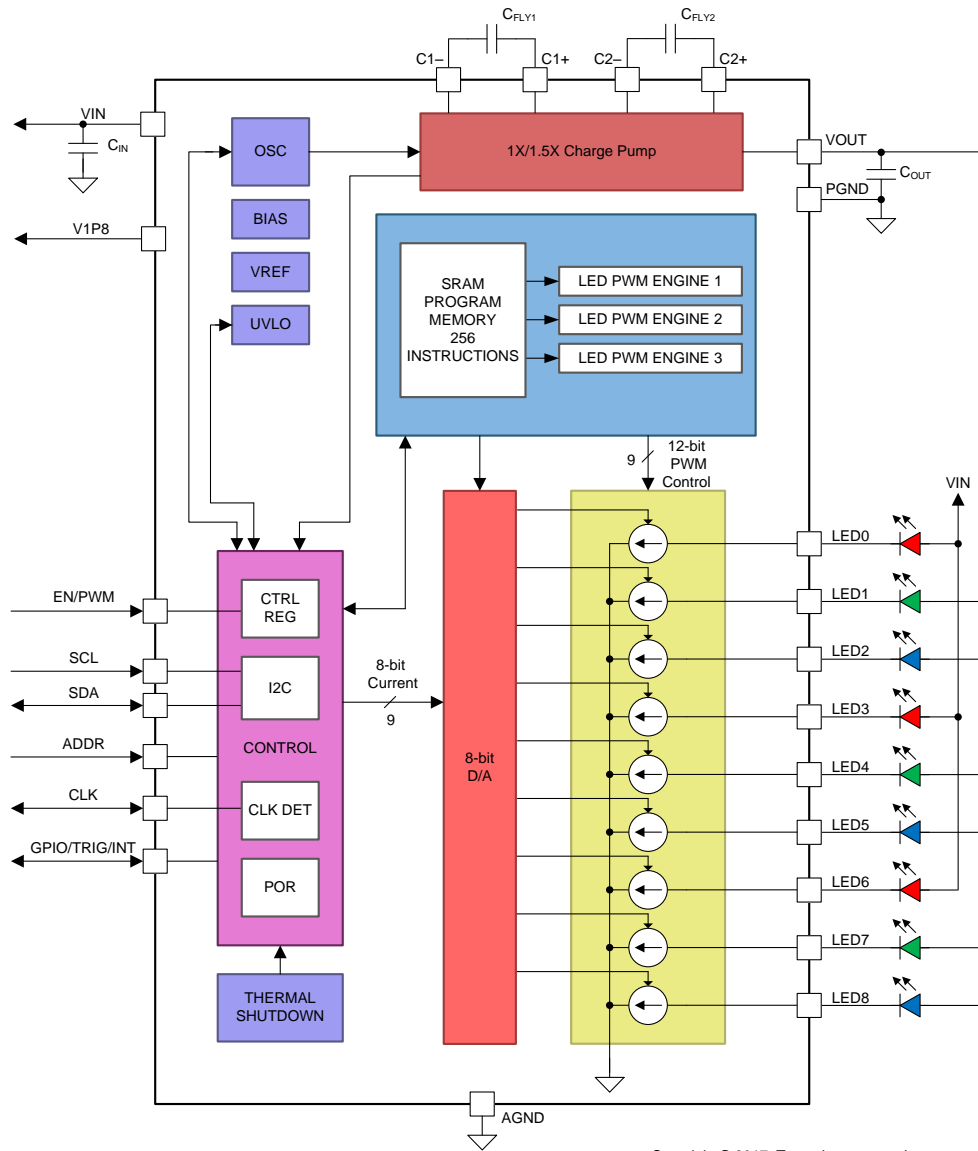
8.1.2 Energy Efficiency

An integrated 1× or 1.5× charge pump with adaptive control provides supply voltage for LEDs when operating with low input voltage. Because the LED drivers are low-side sinks, some or all LEDs can be powered from an external source if available. The LP5569 device has very low standby current and an automatic power-save mode when the LEDs are inactive.

8.1.3 Protection Features

Protection features include power-on reset, charge-pump input-current limiter, thermal shutdown (TSD), and undervoltage lockout (UVLO).

8.2 Functional Block Diagram



Copyright © 2017, Texas Instruments Incorporated

8.3 Feature Description

8.3.1 Current Sinks

8.3.1.1 Overview

The LP5569 LED drivers are constant-current sources. Maximum output-current scale can be programmed by control registers up to 25.5 mA. The overall maximum current is set by 8-bit output current-control registers with 100- μ A step size. Each of the 9 LED drivers has a separate output-current control register. The LED luminance pattern (dimming) is controlled with a PWM technique, which has 12-bit resolution during ramping and 8-bit user control. The LED current-sink PWM frequency is 20 kHz.

High 20-kHz PWM frequency and 12-bit control accuracy are achieved by using 3-bit dithering for PWM control. There is a 9-bit pure PWM resolution generated in the PWM generators, and one least-significant bit (1 LSB) is toggled in eight periods to output a smaller average step. For 3-bit dithering, every eighth pulse is made 1 LSB longer to increase the average value by 1 / 8th. Figure 12 shows an example of 9-bit PWM value, step of 4 / 8 (0.5) and its 12-bit representation.

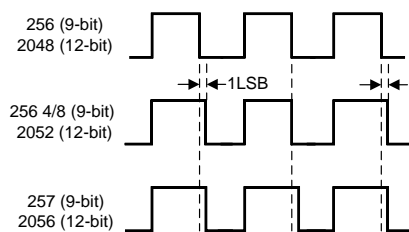
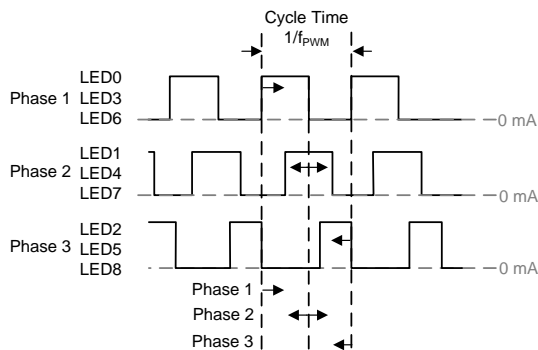


Figure 12. Dithering

A phase-shift PWM scheme allows delaying the time when each LED driver is active. When the LED drivers are not activated simultaneously, the peak load current from the charge-pump output is greatly decreased. This also reduces input-current ripple and ceramic-capacitor audible ringing. LED drivers are grouped into three different phases. In phase 1, the rising edge of the PWM pulse is fixed in time. In phase 2, the middle point of the PWM pulse is fixed, and the pulse spreads to both directions when PWM duty cycle is increased. Phase 3 has a fixed falling edge, that is, the rising edge of the pulse is changed when the duty cycle changes.



Copyright © 2016, Texas Instruments Incorporated

Figure 13. LED Phase Shift

LED dimming is controlled according to an exponential or linear scale (see Figure 14) In exponential mode, the PWM output percent can be approximated by the following two equations:

- Less than or equal to code 64: $y = 0.0125x - 0.0066$.
- Greater than code 64: $y = 0.7835e^{0.0217x}$

Feature Description (continued)

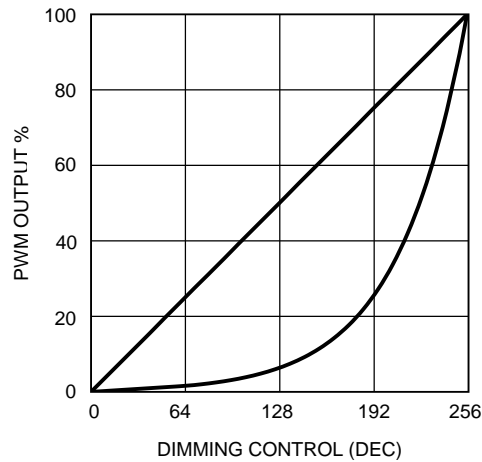


Figure 14. 8-Bit User PWM Control, Exponential and Linear Dimming

8.3.1.2 Controlling the Low-Side Current Sinks

8.3.1.2.1 Direct Register Control

All LP5569 LED drivers, LED0 to LED8, can be controlled independently through the two-wire serial I²C-compatible interface. For each low-side driver there is an 8-bit PWM control register which can be used to control the LED PWM duty-cycle value. This register cannot be written when the program execution engine is active, which could result in undesirable behavior. Care should be taken to update these registers only when the program execution engine is idle.

8.3.1.2.2 Controlling by Program Execution Engines

Engine control is used when the user wants to create programmed sequences. The program execution engine updates the direct-control registers when active. Therefore, if the user has set the PWM register to a certain value, it is automatically overridden when the program execution engine controls the driver. LED control and program-execution-engine operation is described in [Programming](#).

8.3.1.2.3 Master Fader Control

In addition to LED-by-LED PWM register control, the LP5569 device is equipped with a master-fader control, which allows the user to fade in or fade out multiple LEDs from the EN/PWM pin or by writing to the master fader registers. This is a useful function to minimize serial bus traffic between the MCU and the LP5569 device. The LP5569 device has three master fader registers, so it is possible to form three master fader groups. Either writing master fader registers through the I²C interface directly or through LED engine control can set the master fader register values. The final output PWM duty cycle is the PWM register duty-cycle value multiplied by the duty-cycle value of the master fader register.

Feature Description (continued)

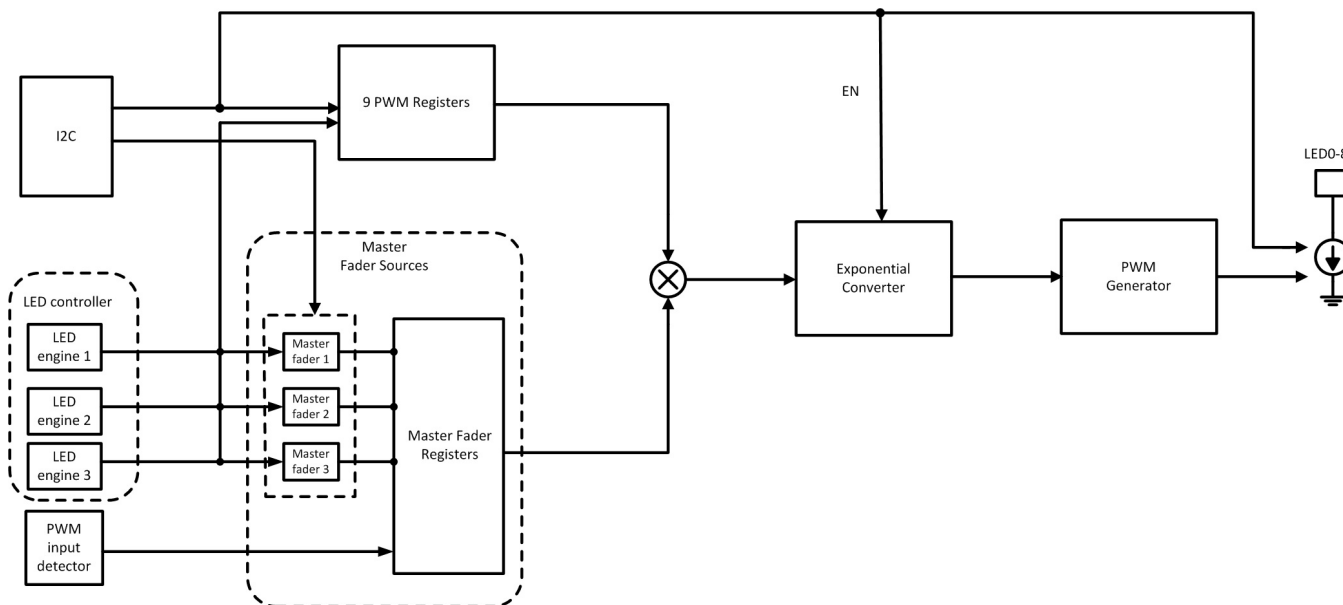


Figure 15. Simplified Data Flow of Master Fader

8.3.1.2.3.1 PWM Master Fader on EN/PWM Pin

The EN/PWM pin provides a dual-function input. On power up, the pin functions as the device enable (EN) function, where the first rising edge enables the LP5569 device. After the chip_en bit is set high in the CONFIG register, the pin is reconfigured for PWM master-fader control of the LEDs. The LED_x_CONTROL register (addresses 07h–0Fh) MF_MAPPING_x bits = 5h configures LED_x for PWM control.

The PWM input is a sampled input which converts the input duty-cycle information into an 11-bit code. The use of a sampled input eliminates any noise and current ripple that is typical of traditional PWM-controlled LED drivers. The PWM input uses logic-level thresholds with $V_{IH_MIN} = 1.25\text{ V}$ and $V_{IL_MAX} = 0.4\text{ V}$. Because this is a sampled input, there are limits on the maximum PWM input frequency as well as the resolution that can be achieved.

8.3.1.2.3.2 PWM Master Fader Resolution and Input Frequency Range

The PWM input frequency range is 100 Hz to 20 kHz. To achieve the full 11-bit maximum resolution of PWM duty cycle to the code, the input PWM duty cycle must be ≥ 11 bits, and the PWM sample period ($1 / f_{SAMPLE}$) must be smaller than the minimum PWM input pulse duration. Figure 16 shows the possible brightness code resolutions based on the input PWM frequency.

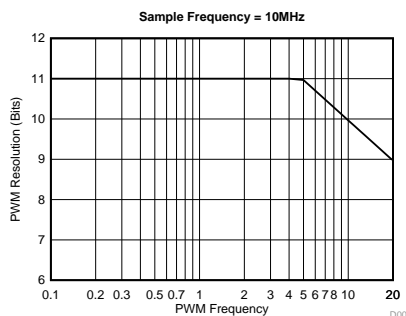


Figure 16. PWM Resolution vs PWM Input Frequency

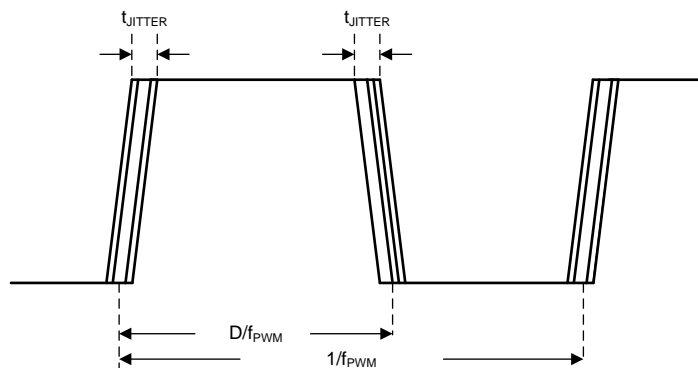
Feature Description (continued)

8.3.1.2.3.3 PWM Master Fader Hysteresis

To prevent jitter on the input PWM signal from feeding through the PWM path and causing oscillations in the LED current, the LP5569 device offers seven selectable hysteresis settings. The hysteresis works by forcing a specific number of 11-bit LSB code transitions to occur in the input duty cycle before the LED current changes. Table 1 describes the hysteresis. The hysteresis only applies during a change in direction of brightness currents. Once the change in direction has taken place, the PWM input must overcome the required LSB(s) of the hysteresis setting before the brightness change takes effect. Once the initial hysteresis has been overcome and the direction in brightness change remains the same, the PWM-to-current response changes with no hysteresis.

Table 1. PWM Input Hysteresis

HYSTERESIS SETTING (0x80 bits [2:0])	MIN. CHANGE IN PWM PULSE DURATION (Δt) REQUIRED TO CHANGE LED CURRENT, AFTER DIRECTION CHANGE (for $f_{PWM} < 11.7$ kHz)	MIN. CHANGE IN PWM DUTY CYCLE (ΔD) REQUIRED TO CHANGE LED CURRENT AFTER DIRECTION CHANGE	MIN (ΔI_{LED}), INCREASE FOR INITIAL CODE	
			EXPONENTIAL MODE	LINEAR MODE
000 (0 LSB)	$1 / (f_{PWM} \times 2047)$	0.05%	0.3%	0.05%
001 (1 LSB)	$1 / (f_{PWM} \times 1023)$	0.1%	0.61%	0.1%
010 (2 LSB)	$1 / (f_{PWM} \times 511)$	0.2%	1.21%	0.2%
011 (3 LSB)	$1 / (f_{PWM} \times 255)$	0.39%	2.4%	0.39%
100 (4 LSB)	$1 / (f_{PWM} \times 127)$	0.78%	4.74%	0.78%
101 (5 LSB)	$1 / (f_{PWM} \times 63)$	1.56%	9.26%	1.56%
110 (6 LSB)	$1 / (f_{PWM} \times 31)$	3.12%	17.66%	3.12%



- D is $t_{JITTER} \times f_{PWM}$ or equal to #LSB's = $\Delta D \times 2048$ codes.
- For 11-bit resolution, #LSBs is equal to a hysteresis setting of $LN(\#LSB's)/LN(2)$.
- For example, with a t_{JITTER} of 1 μs and a f_{PWM} of 5 kHz, the hysteresis setting should be: $LN(1 \mu s \times 5 \text{ kHz} \times 2048)/LN(2) = 3.35$ (4 LSBs).

Copyright © 2016, Texas Instruments Incorporated

Figure 17. PWM Hysteresis Example

8.3.1.2.4 EN/PWM Input Timeout

The EN/PWM input timeout feature has two operating modes as follows:

- STANDBY state: EN/PWM low for > 15 ms shuts down the LP5569 device and returns to the DISABLED state (see [Figure 20](#)).

8.3.2 Charge Pump

8.3.2.1 Overview

The LP5569 device includes a pre-regulated switched-capacitor charge pump with a programmable voltage multiplication of 1x or 1.5x. In 1.5x mode, by combining the principles of a switched-capacitor charge pump and a linear regulator, a regulated 4.5-V output is generated from the VIN input within its normal voltage range. A two-phase non-overlapping clock, generated internally, controls the operation of the charge pump. During the charge phase, both flying capacitors (CFLY1 and CFLY2) are charged from input voltage. In the pump phase that follows, the flying capacitors are discharged to the output. A traditional switched-capacitor charge pump operating in this manner uses switches with very low on-resistance, ideally 0 Ω , to generate an output voltage that is 1.5x the input voltage. The LP5569 device regulates the output voltage by controlling the resistance of the input-connected pass-transistor switches in the charge pump.

8.3.2.2 Pre-Regulation

The very low input-current ripple of the LP5569 device, resulting from internal pre-regulation, adds minimal noise to the input line. The core of the LP5569 device is very similar to that of a basic switched-capacitor charge pump: it is composed of switches and two flying capacitors (external). Regulation is achieved by controlling the current through the switches connected to the VIN pin (one switch in each phase). The regulation occurs before the voltage multiplication, giving rise to the term *pre-regulation*. It is pre-regulation that eliminates most of the input-current ripple that is a typical and undesirable characteristic of a many switched-capacitor converters.

8.3.2.3 Input Current Limit

The LP5569 device contains current-limit circuitry that protects the device in the event of excessive input current and/or output shorts to ground. The input current is limited to 600 mA (typical) when the output is shorted directly to ground. When the LP5569 device is current limiting, power dissipation in the device is likely to be quite high. In this event, thermal cycling should be expected.

8.3.2.4 Output Discharge

The LP5569 device provides a feature to discharge the charge-pump output capacitor. The charge-pump output pulldown is not enabled when the MISC2 register (address 33h) CP_DIS_DISCH bit = 1. The charge pump output pulldown is enabled when the CP_DIS_DISCH bit = 0. The pulldown draws a minimal current from the output capacitor (300 μ A typical) when in the SHUTDOWN and STANDBY states.

8.3.2.5 Controlling the Charge Pump

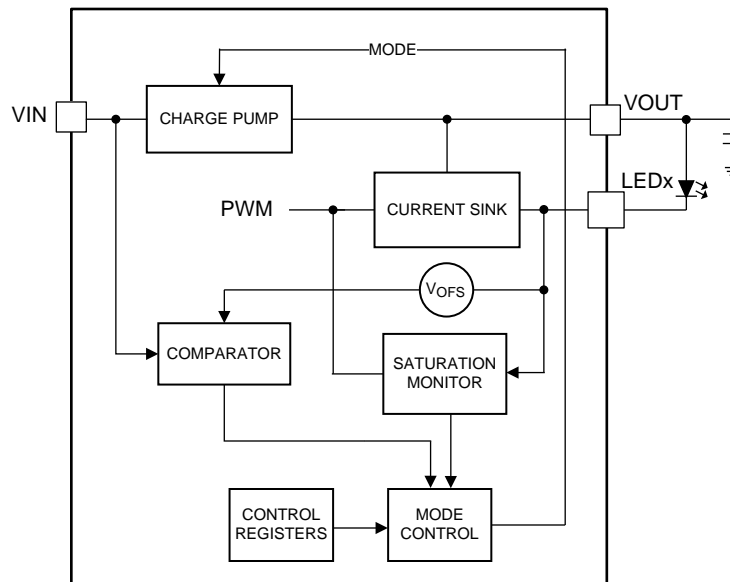
The charge pump is controlled with two CP_MODE bits in the MISC register (address 2Fh). When both of the bits are low, the charge pump is disabled, and output voltage is pulled down as described in [Output Discharge](#). The charge pump can be forced to the bypass mode, so the battery voltage is connected directly to the current source; in 1.5x mode the output voltage is boosted to 4.5 V. In automatic mode, the charge-pump operation mode is determined by saturation of the constant-current drivers described in [LED Forward Voltage Monitoring](#).

8.3.2.6 LED Forward Voltage Monitoring

When the charge-pump automatic-mode selection is enabled, voltages on the LED current sinks LED0 to LED8 are monitored. If the current sinks do not have enough headroom, the charge pump gain is set to 1.5x and remains in 1.5x mode until one of the following occurs:

- The LP5569 device enters the SHUTDOWN state and goes through the INITIALIZATION or STARTUP state.
- The charge-pump mode is forced to 1x mode via the MISC register.
- The LP5569 device exits power save when the charge pump is in automatic mode (CP_MODE bits = 3h).

A current-sink saturation monitor is selectable to one of four fixed voltage thresholds. The charge-pump gain is set to 1x when the battery voltage is high enough to supply all LEDs. Note: forward-voltage monitoring is disabled when the LEDx_CONTROL (addresses 07h–0Fh) register EXTERNAL_POWERx bit = 1.



Copyright © 2016, Texas Instruments Incorporated

Figure 18. Forward-Voltage-Monitoring and Gain-Control Block

8.3.3 Energy Efficiency

8.3.3.1 LED Powering

The red LED (R) element of an RGB LED typically has a forward voltage of about 2 V. These LEDs can be powered directly from the input voltage because battery voltage is typically high enough to drive red LEDs over the whole operating voltage range. This allows driving of three RGB LEDs with good efficiency because the red LEDs do not load the charge pump. When the LEDx_CONTROL (address 07h–0Fh) register EXTERNAL_POWERx bit = 1, the LEDx output is configured for external supply, and forward-voltage monitoring is disabled.

8.3.4 Automatic Power-Save Mode

When the LED outputs are not active, the LP5569 device is able to enter the power-save mode automatically, thus lowering idle-current consumption down to 10 μ A (typical). Automatic power-save mode is enabled when the MISC register (address 2Fh) POWERSAVE_EN bit = 1. Almost all analog blocks are powered down in power save, if an external clock signal is used. The charge pump enters the weak 1 \times mode using a passive current-limited keep-alive switch, which keeps the output voltage at the battery level to reduce output-voltage transients.

During program execution, the LP5569 device can enter power save if there is no PWM activity in any of the LED driver outputs. To prevent short power-save sequences during program execution, the device has an instruction look-ahead filter. In power-save mode, program execution continues without interruption. When an instruction that requires PWM activity is executed, a fast internal start-up sequence is started automatically.

8.3.5 Protection Features

8.3.5.1 Thermal Shutdown (TSD)

The LP5569 device implements a thermal shutdown mechanism to protect the device from damage due to overheating. When the junction temperature rises to 150°C (typical), the device switches into shutdown mode. The LP5569 device releases thermal shutdown when the junction temperature of the device decreases to 130°C (typical).

Thermal shutdown is most often triggered by self-heating, which occurs when there is excessive power dissipation in the device and/or insufficient thermal dissipation. LP5569 power dissipation increases with increased output current and input voltage. When self-heating brings on thermal shutdown, thermal cycling is the typical result. Thermal cycling is the repeating process where the part self-heats, enters thermal shutdown (where internal power dissipation is practically zero), cools, turns on, and then heats up again to the thermal shutdown threshold. Thermal cycling is recognized by a pulsing output voltage and can be stopped by reducing the internal power dissipation (reduce input voltage and/or output current) or the ambient temperature. If thermal cycling occurs under desired operating conditions, thermal dissipation performance must be improved to accommodate the power dissipation of the LP5569 device. The QFN package is designed to have excellent thermal properties that, when soldered to a PCB designed to aid thermal dissipation, allows the LP5569 device to operate under very demanding power-dissipation conditions.

8.3.5.2 Undervoltage Lockout (UVLO)

The LP5569 device has an internal comparator that monitors the voltage at VIN. If the input voltage drops to 2.2 V (nominal), undervoltage is detected, the LED outputs and the charge pump shut down, and the corresponding fault bit is set in the fault register. Hysteresis is implemented for the threshold level to avoid continuous triggering of a fault when the threshold is reached. If the input voltage rises above 2.3 V (nominal), the LP5569 device resumes normal operation.

8.3.5.3 Power-On Reset (POR)

The LP5569 device has internal comparators that monitor the voltages at VIN and V1P8. When V_{VIN} is below 2.2 V or V1P8 is below 1.3 V, reset is active and the LP5569 device is in the DISABLED state.

8.3.5.4 LED Fault Detection

The LP5569 device contains both open-LED and shorted-LED fault detection. These fault detections are designed to be used in production-level testing and not normal operation. For the fault flags to operate, they must be enabled via the MISC2 register (address 33h) LED_OPEN_TEST and LED_SHORT_TEST bits. The fault flags are shared by both open-LED and shorted-LED tests so only one can be enabled at a time. The default LED-fault status is ready in the LED_FAULT1 and LED_FAULT2 registers (addresses 81h and 82h). The following sections detail the proper procedure for reading back open and short faults in the LED strings.

8.3.5.4.1 Open LED

The LP5569 device features one fault flag per LED, indicating one or more of the active low-voltage LED strings are open. An open in a low-voltage LED string is flagged if the voltage at the input to any active low-voltage current sink goes below the `drv_headroom[1:0]` setting in the MISC2 register. The procedure for detecting an open-LED fault is:

1. Set the LP5569 device in the STANDBY state.
2. Configure the charge pump in the 1.5x mode.
3. Set the LED_OPEN_TEST bit = 1 in the MISC2 register (address 33h).
4. Set the chip_en bit = 1 in the CONTROL register (address 0h) with the LP5569 device in the NORMAL state.
5. Wait at least 500 μ s.
6. Enable all LEDs, and set all LEDs to 100% brightness.
7. Wait at least 500 μ s.
8. Check the fault status of the LED_FAULT1 and LED_FAULT2 registers.
9. Set the LED_OPEN_TEST bit = 0 in the MISC2 register (address 33h).
10. Set all LEDs to 0% brightness.

8.3.5.4.2 Shorted LED

The LP5569 device features one fault flag per LED, indicating when any active LED is shorted (anode to cathode). During the LED short test, the charge pump is forced to the 1x mode. A short in the LED is determined when the LED voltage ($V_{IN} - V_{LEDx}$) falls below 1 V. The procedure for detecting a shorted-LED fault is:

1. Set the LP5569 device in the STANDBY state.
2. Configure the charge pump in the 1x mode, set LED PWM (0x16–0x1E) and LED current (0x22–0x2A) to maximum value, depending on the LED channel being tested.

3. Set the chip_en bit in the CONFIG register = 1 and the LP5569 device to the NORMAL state.
4. Wait at least 500 μ s.
5. Enable all LEDs, and set brightness to 100%.
6. Set the LED_SHORT_TEST bit = 1 in the MISC2 register (address 33h).
7. Wait at least 500 μ s.
8. Check the fault status of the LED Fault1 and LED Fault2 registers.
9. Set the LED_SHORT_TEST bit = 0 in in the MISC2 register (address 33h).
10. Set all LEDs to 0% brightness.

8.3.6 Clock Generation and Synchronization

The LP5569 device can generate a 32-kHz clock signal and use it for synchronizing multiple devices. The CLK pin is configured as an input by default. When the EN_CLK_OUT bit = 1 in the IO_CONTROL register (address 3Dh) the LP5569 device drives the CLK pin using its 32-kHz oscillator.

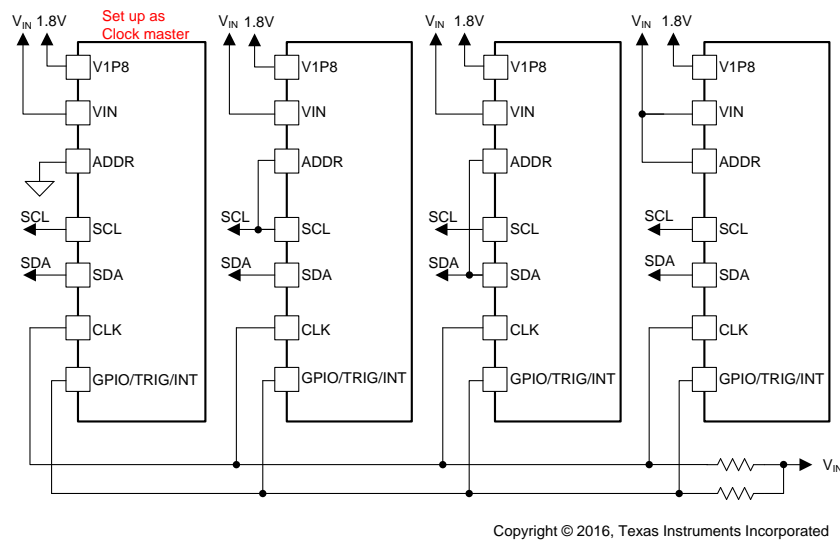


Figure 19. Synchronizing Multiple Devices Using the Clock Generator

8.3.7 GPIO/TRIG/INT Multifunctional I/O

The GPIO/TRIG/INT pin is configured by the GPIO_CONFIG bits in the IO_CONTROL register (address 3Dh). The default configuration for this pin is the INT function.

8.4 Device Functional Modes

8.4.1 Modes Of Operation

CP_LED_STARTUP: LED drivers are enabled. The device enters NORMAL after 300 μ s (typical).

CP_ON: Charge pump is enabled per CP_MODE bits, and charge-pump output voltage is within regulation after 300 μ s (typical).

CP_WAKEUP After the power-save condition is no longer met, the device enters the CP_WAKEUP state. The device enters CP_LED_STARTUP after 100 μ s (typical).

DISABLED: The device enters this state when logic receives POR or the EN/PWM pin is low for longer than 15 ms (typical). The internal logic is disabled in this state to minimize power consumption. The mode changes to INITIALIZATION when a rising edge has been detected in the EN/PWM pin and TSD is inactive.

INITIALIZATION: This state duration is 2 ms (typical). The device enters the OTP_READ–SRAM_INIT state if V_{VIN} is above the V_{UVLO} level, and the temperature is below TSD. If V_{VIN} is below V_{UVLO} or TSD is active, the device remains in INITIALIZATION unless EN/PWM is low for 15 ms (typical), then the device enters the DISABLED mode.

INTERNAL POWER SHUTDOWN: In INTERNAL POWER SHUTDOWN mode, the internal LDO is shutdown.

NORMAL: After startup has been completed the device enters the NORMAL mode. Users can drive LEDs and execute programs in this mode.

OTP_READ - SRAM_INIT: The OTP_READ mode is followed by SRAM_INIT, which initializes SRAM. When initialization is complete, the device enters the STANDBY state. If V_{IN} is below V_{UVLO} while in this state, the device returns to INITIALIZATION.

POWER SAVE: In POWER SAVE mode, analog blocks are disabled to minimize power consumption. After the power-save condition is no longer met, the device exits the POWER SAVE mode. See [Automatic Power-Save Mode](#) section for further information.

SHUTDOWN: During shutdown, the charge-pump and LED drivers are disabled. The device enters the shutdown state if disabled ($chip_en = 0$) or if a TSD fault is active. The device enters STANDBY after 1 ms (typical).

STANDBY: The STANDBY mode is a low-power-consumption mode and is entered if the register bit $chip_en$ is zero and Reset is not active. Register and SRAM access is available via I²C.

START-UP: During a fault condition, device operation is halted, and the device waits in STARTUP mode until no faults are present. UVLO detection returns the device to STARTUP from all states with the exception of STANDBY, INITIALIZATION, and OTP_READ - SRAM_INIT.

Device Functional Modes (continued)

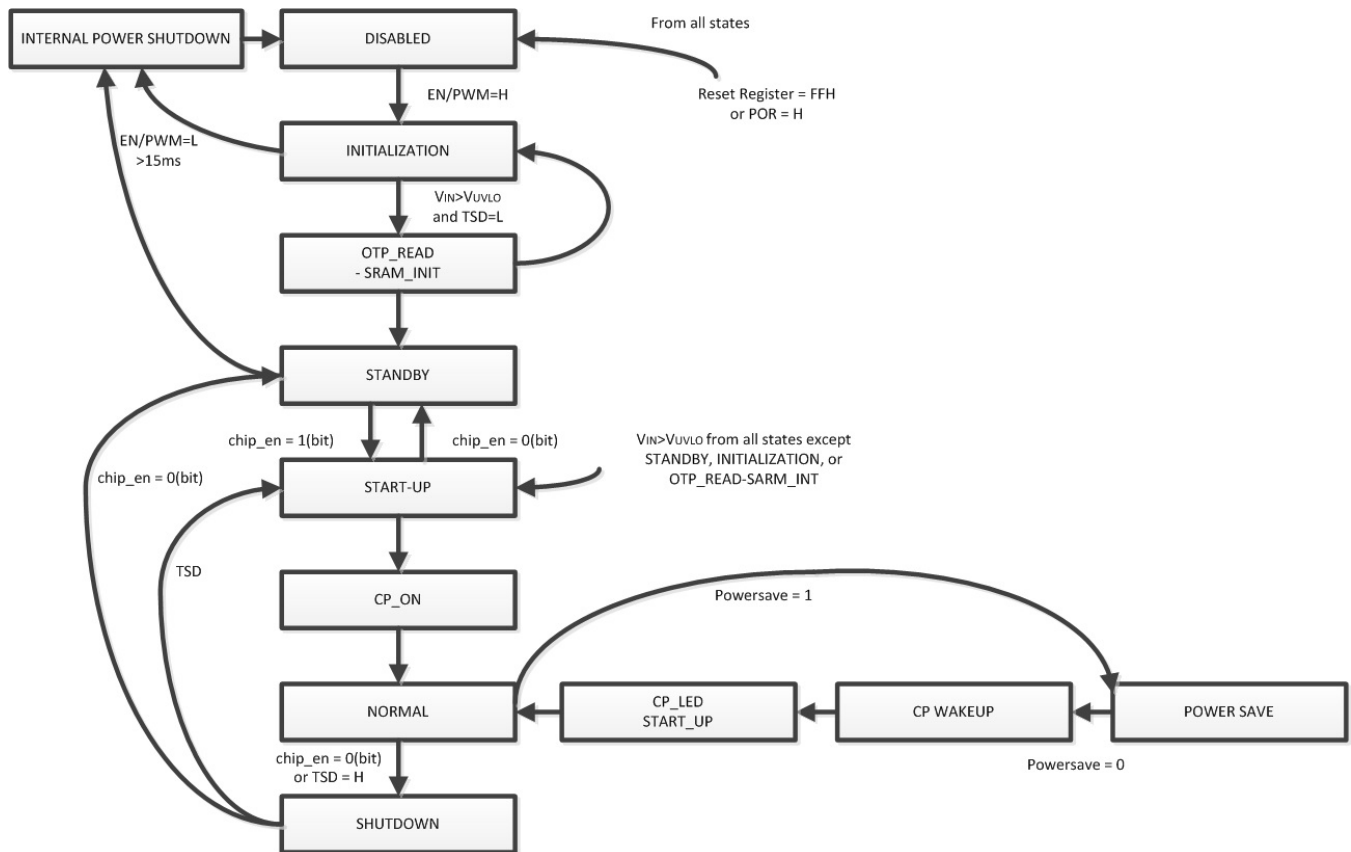


Figure 20. LP5569 Function State Machine

8.5 Programming

8.5.1 I²C Interface

The I²C-compatible two-wire serial interface provides access to the programmable functions and registers on the device. This protocol uses a two-wire interface for bidirectional communications between the devices connected to the bus. The two interface lines are the serial data line (SDA) and the serial clock line (SCL). Every device on the bus is assigned a unique address and acts as either a master or a slave depending on whether it generates or receives the serial clock, SCL. The SCL and SDA lines should each have a pullup resistor placed somewhere on the line and remain HIGH even when the bus is idle. Note: the CLK pin is not used for serial bus data transfer.

8.5.1.1 Data Validity

The data on SDA line must be stable during the HIGH period of the clock signal (SCL). In other words, state of the data line can only be changed when clock signal is LOW.

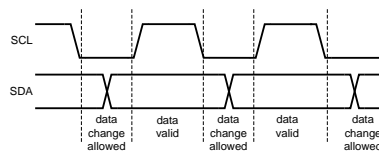


Figure 21. Data Validity Diagram

8.5.1.2 Start and Stop Conditions

START and STOP conditions classify the beginning and the end of the data transfer session. A START condition is defined as the SDA signal transitioning from HIGH to LOW while SCL line is HIGH. A STOP condition is defined as the SDA transitioning from LOW to HIGH while SCL is HIGH. The bus master always generates START and STOP conditions. The bus is considered to be busy after a START condition and free after a STOP condition. During data transmission, the bus master can generate repeated START conditions. First START and repeated START conditions are functionally equivalent.

8.5.1.3 Transferring Data

Every byte put on the SDA line must be eight bits long, with the most significant bit (MSB) being transferred first. Each byte of data must be followed by an acknowledge bit. The acknowledge-related clock pulse is generated by the master. The master releases the SDA line (HIGH) during the acknowledge clock pulse. The LP5569 device pulls down the SDA line during the ninth clock pulse, signifying an acknowledge. The LP5569 device generates an acknowledge after each byte has been received.

There is one exception to the *acknowledge after every byte* rule. When the master is the receiver, it must indicate to the transmitter an end of data by not-acknowledging (*negative acknowledge*) the last byte clocked out of the slave. This *negative acknowledge* still includes the acknowledge clock pulse (generated by the master), but the SDA line is not pulled down.

After the START condition, the bus master sends a device address. This address is seven bits long followed by an eighth bit which is a data direction bit (READ or WRITE). For the eighth bit, a 0 indicates a WRITE, and a 1 indicates a READ. The second byte selects the register to which the data is to be written. The third byte contains data to write to the selected register.

8.5.1.4 I²C Slave Addressing

The LP5569 slave address is defined by connecting GND, SCL, SDA, or VIN to the ADDR pin. A total of four slave addresses can be realized by combinations when GND, SCL, SDA, or VIN is connected to the ADDR pin (see [Table 2](#)).

The LP5569 device is available in two versions (LP5569 and LP5569A). Each version has four possible address settings, which allows up to eight devices sharing the same I²C bus as shown in [Table 2](#). Values are in 7-bit slave ID format. The LP5569 device responds to slave address 40h regardless of the setting of the ADDR pin and device version. Global writes to address 40h can be used for configuring all devices simultaneously. The LP5569 device supports global read using slave address 40h; however, the data read is only valid if all LP5569 devices on the I²C bus contain the same value in the register read.

Table 2. LP5569 Slave-Address Combinations

SLAVE ID	VERSION	ADDR
32h and 40h		GND
33h and 40h		SCL
34h and 40h		SDA
35h and 40h		VIN
42h and 40h	A	GND
43h and 40h	A	SCL
44h and 40h	A	SDA
45h and 40h	A	VIN

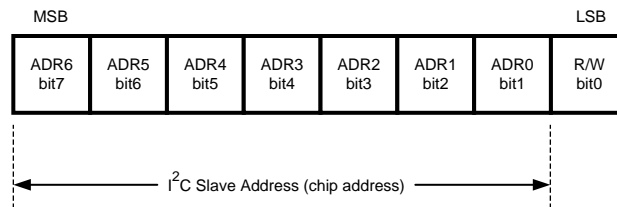


Figure 22. LP5569 Chip Address

8.5.1.5 Control Register Write Cycle

1. The master device generates a start condition.
2. The master device sends the slave address (7 bits) and the data direction bit ($R/\overline{W} = 0$).
3. The slave device sends an acknowledge signal if the slave address is correct.
4. The master device sends the control register address (8 bits).
5. The slave device sends an acknowledge signal.
6. The master device sends the data byte to be written to the addressed register.
7. The slave device sends an acknowledge signal.
8. If the master device sends further data bytes, the control register address of the slave is incremented by 1 after the acknowledge signal. In order to reduce program load time, the LP5569 device supports address auto incrementation. The register address is incremented after each 8 data bits. For example, the whole program memory page can be written in one serial-bus write sequence.
9. The write cycle ends when the master device creates a stop condition.

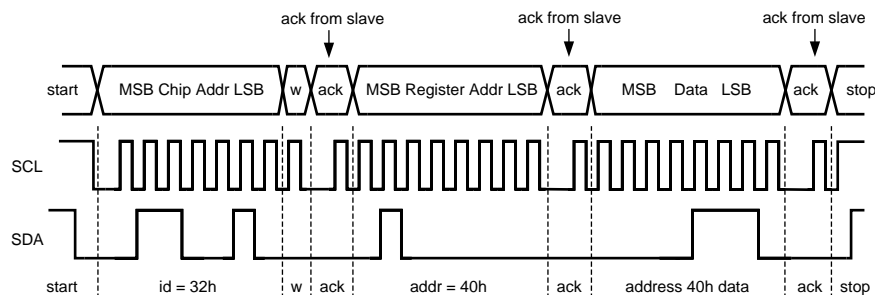


Figure 23. Write Cycle (W = Write; SDA = 0)

8.5.1.6 Control Register Read Cycle

1. The master device generates a start condition.
2. The master device sends the slave address (7 bits) and the data direction bit ($R/\overline{W} = 0$).
3. The slave device sends an acknowledge signal if the slave address is correct.
4. The master device sends the control register address (8 bits).
5. The slave device sends an acknowledge signal.

6. The master device generates a repeated-start condition.
7. The master device sends the slave address (7 bits) and the data direction bit ($R/\overline{W} = 1$).
8. The slave device sends an acknowledge signal if the slave address is correct.
9. The slave device sends the data byte from the addressed register.
10. If the master device sends an acknowledge signal, the control register address is incremented by 1. The slave device sends the data byte from the addressed register.
11. The read cycle ends when the master device does not generate an acknowledge signal after a data byte and generates a stop condition.

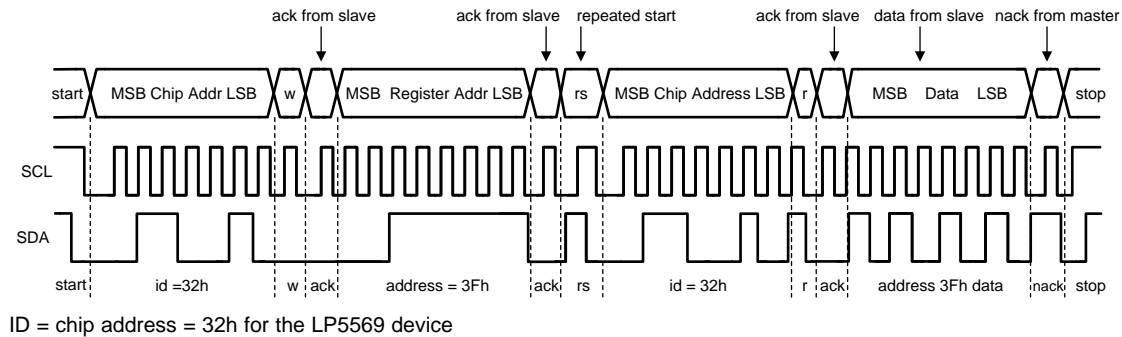


Figure 24. Read Cycle (R = Read; SDA = 1)

8.5.1.7 Auto-Increment Feature

The auto-increment feature allows writing several consecutive registers within one transmission. Every time an 8-bit word is sent to the LP5569 device, the internal address index counter is incremented by 1, and the next register is written. The auto-increment feature is enabled by default and can be disabled by setting the EN_AUTO_INCR bit = 0 in the MISC register (address 2Fh).

8.5.2 Execution Engine Programming

The LP5569 device provides flexibility and programmability for dimming and sequencing control. Each LED can be controlled directly and independently through the serial bus, or LED drivers can be grouped together for pre-programmed flashing patterns.

The LP5569 device has three independent program execution engines, so it is possible to form three independently programmable LED banks. LED drivers can be grouped based on their function so that, for example, the first bank of drivers can be assigned to the keypad illumination, the second bank to the *funlights*, and the third group to the indicator LED(s). Each bank can contain 1 to 9 LED driver outputs. Instructions for program execution engines are stored in the program memory. The total amount of the program memory is 255 instructions, and the user can allocate the instructions as required by the engines; however, a single engine can only allocate up to ½ the memory (128 instructions).

8.5.2.1 SRAM Memory

The LP5569 device has internal SRAM for the three LED engines. SRAM can contain up to 255 16-bit instructions (addresses 0 through 254) with a maximum size of 128 16-bit instructions for a single engine. SRAM memory address 255 is reserved and must not be allocated to any LED engine. Memory allocation among the three LED engines is done dynamically, so that each LED engine has a separate start address and program counter (PC) that are set in the ENGINE_x_PROG_START registers (addresses 4Bh, 4Ch, 4Dh) and ENGINE_x_PC registers (addresses 30h, 31h, 32h). This allows flexible memory allocation among the LED engines, and multiple engines can recall the same memory address. The program counter uses relative memory addressing; when the PC is zero the engine is executing an instruction at its start address.

The SRAM is loaded via the I²C interface in 33-byte-length pages. The first byte contains the program-memory-page-select (address 4Fh) followed by up to 32 bytes containing compiled program execution engine instructions (address 50h thru 6Fh). Engines must be set to load the program mode (register 01h) before writing the SRAM.

8.5.2.2 Variables

The LP5569 device has four LED engine variables which are divided into local and global variables. Variables A and B are engine-specific local variables and each of the three engines has separate A and B variables, so there is a total of six A and B variables. Variable A can be read and written via I²C registers 42h–44h. Local variable B is not available via I²C and can only be accessed by the LED engine. Variables C and D are global variables which are shared by all three LED engines. Global variable C is not available via I²C and can only be accessed by the LED engines. The D variable can be read and written via I²C register 3Eh. Variables are referenced to instructions with 2 bits, see [Table 3](#) for details. Note that some instructions (ld, add, sub) can use only variables A, B, and C as target variables.

Table 3. LED Engine Variables

VARIABLE	BITS	LOCAL/GLOBAL
A	00	Local
B	01	Local
C	10	Global
D	11	Global

8.5.2.3 Instruction Set

The LP5569 device has three independent programmable execution engines. All the program execution engines have their own program memory block allocated by the user. The maximum program size for any one engine is limited to 128 locations. At least one engine must be in the load-program mode with the engine-busy bit cleared before writing to any program memory address. Program execution is clocked with a 32.768-kHz clock. Instruction execution takes sixteen clock cycles (488 μs). This applies also to ramp and wait instructions where execution time is a multiple of 488 μs. This clock can be generated internally or an external clock can be supplied to the CLK pin. Using an external clock enables synchronization of LED timing to the external clock signal and is also more power-efficient. The supported instruction set is listed in [Table 4](#) through [Table 6](#). The LP5569 device is fully compatible with the LP5523 instruction set. A command compiler is available for easy sequence programming. With the command compiler it is possible to write sequences with simple ASCII commands, which are then converted to binary or hex format.

Table 4. LED Driver Instructions

INSTRUCTION	USAGE	COMPILER EXAMPLE
ramp ⁽¹⁾	Generate a programmable PWM ramp to mapped LED driver(s) from the current value to a new value in steps of +1 or –1 with programmed step time.	<i>ramp 0.6, 255; ramp to full scale in 0.6 s</i>
ramp ⁽²⁾	ramp var1, prescale, var2 var1 is a variable (ra, rb, rc, rd); prescale is a boolean constant (pre = 0 or pre = 1); Var2 is a variable (ra, rb, rc, rd). Output PWM with increasing or decreasing duty cycle.	<i>ld ra, 31 ld rb, 255 ramp ra, pre=0, +rb; ramp up to full scale over 3.9 s.</i>
set_pwm ⁽¹⁾	Set PWM or current value to mapped LED driver(s), effective immediately.	<i>set_pwm 128; set duty cycle to 50%.</i>
set_pwm ⁽²⁾	set_pwm var1 Var1 is a variable (ra, rb, rc, rd). Generate a continuous PWM output.	<i>ld rc, 128; set_pwm rc; set PWM duty cycle to 50%.</i>
wait	Wait for a given time. Time span is from 0.488 ms to 484 ms.	<i>wait 0.4; wait for 0.4 s; wait for 0.4 s</i>

(1) This opcode is used with numerical operands.

(2) This opcode is used with variables.

Table 5. LED Mapping Instructions

INSTRUCTION ⁽¹⁾	ACT ⁽²⁾	USAGE	COMPILER EXAMPLE
load_start		Define the LED mapping-table start address in SRAM.	<i>load_start 01h</i> ; starting address at 01h
map_start	x	Define the LED mapping-table start address in SRAM and set that address active.	<i>map_start 01h</i> ; starting address at 01h
load_end		Define the last address of the LED mapping table in SRAM.	<i>load_end 03h</i> ; last address at 03h
map_sel	x	Connect one LED driver to the LED engine.	<i>map_sel 0</i> ; select LED0 as output
map_clr	x	Clear the LED driver mappings in an engine	<i>map_clr</i>
map_next	x	Select the next address in the LED mapping table and set that address active.	<i>map_next</i>
map_prev	x	Select the previous address in the LED mapping table and set that address active.	<i>map_prev</i>
load_next		Move the mapping-table pointer to the next address.	<i>load_next</i>
load_prev		Move the mapping-table pointer to the previous address.	<i>load_prev</i>
load_addr		Set the mapping-table pointer to the assigned address.	<i>load_addr 02h</i> ; set pointer to 02h
map_addr	x	Set the mapping-table pointer to the assigned address and set that address active.	<i>map_addr 02h</i> ; set mapping to 02h

(1) These instructions are compatible with the LP5523 and LP55231 mux_* LED mapping instructions.

(2) x - The instruction activates LED mapping to the driver when the instruction is executed.

Table 6. Branch Instructions

INSTRUCTION	USAGE	COMPILER EXAMPLE
rst	Reset program counter to zero.	Reset
branch⁽¹⁾	Branch to address. The number of loops can be set to a value or do an infinite loop.	<i>branch 20, loop1</i> ; do 20 loops to loop1 label
branch⁽²⁾	Branch to address. The loop count can be one of four variables A, B, C, or D.	<i>ld ra, 20 branch ra, loop1</i> ; do 20 loops to loop1 label
int	Send an interrupt to the host system by pulling the GPIO/TRIG/INT pin low.	<i>int</i>
end	End program execution and reset the program counter to zero. Can also the set GPIO/TRIG/INT pin high and/or reset mapped LED PWM and engine LED mapping.	<i>end</i> ; end and reset LEDs.
trigger	Wait or send trigger. The trigger can be sent or received from an external pin or another engine.	<i>trigger w{e}</i> ; wait for external trigger
trig_clear⁽³⁾	Clear pending triggers.	<i>trig_clear</i>
jne	Jump if not equal. A != B	Jump to loop1 if A != B: <i>jne ra, rb, loop1</i>
jl	Jump if less. A < B	Jump to loop1 if A < B: <i>jl ra, rb, loop1</i>
jge	Jump if greater or equal. A ≥ B	Jump to loop1 if A ≥ B: <i>jge ra, rb, loop1</i>
je	Jump if equal. A = B	Jump to loop1 if A = B: <i>je ra, rb, loop1</i>

(1) This opcode is used with numerical operands.

(2) This opcode is used with variables.

(3) This is a new instruction, not available in LP5523 or LP55231

Table 7. Data Transfer and Arithmetic

INSTRUCTION	USAGE	COMPILER EXAMPLE
ld ⁽¹⁾	Assign a value to a variable.	<i>ld ra, 33</i> ; load value 33h to local variable A
add ⁽¹⁾	Add the 8-bit value to the variable value.	<i>add ra, 11</i> ; add value 11h to local variable A
add ⁽²⁾	Add the value of variable 3 (global variable D) to the value of variable 2 (global variable C) and store the result in variable 1 (local variable A).	<i>add ra, rc, rd</i> ; add the value in rd to rc and store in ra
sub ⁽¹⁾	Subtract the 8-bit value from the variable value.	<i>sub ra, 11</i> ; subtract value 11h from local variable A
sub ⁽²⁾	Subtract the value of variable 3 (global variable D) from the value of variable 2 (global variable C) and store the result in variable 1 (local variable A).	<i>sub ra, rc, rd</i> ; subtract the value in rd from rc and store in ra

- (1) This opcode is used with numerical operands.
- (2) This opcode is used with variables.

8.5.2.4 LED Driver Instructions

Table 8. LP5569 LED Driver Instructions

INST.	Bit [15]	Bit [14]	Bit [13]	Bit [12]	Bit [11]	Bit [10]	Bit [9]	Bit [8]	Bit [7]	Bit [6]	Bit [5]	Bit [4]	Bit [3]	Bit [2]	Bit [1]	Bit [0]	
ramp ⁽¹⁾	0	pre-scale	step time					sign	no. of increments								
ramp ⁽²⁾	1	0	0	0	0	1	0	0	0	0	pre-scale	sign	step time	no. of increments			
set_pwm ⁽¹⁾	0	1	0	0	0	0	0	0	PWM value								
set_pwm ⁽²⁾	1	0	0	0	0	1	0	0	0	1	1	0	0	0	PWM value		
wait	0	pre-scale	time					0	0	0	0	0	0	0	0	0	0

- (1) This opcode is used with numerical operands.
- (2) This opcode is used with variables.

8.5.2.4.1 Ramp

This is the instruction useful for smoothly changing from one PWM value into another PWM value on the LED0 to LED8 outputs —in other words, generating ramps with a negative or positive slope. The LP5569 device allows the programming of very fast and very slow ramps using only a single instruction. Full ramp 0 to 255 ramp time ranges from 124 ms to 4 s.

The ramp instruction generates a PWM ramp, using the effective PWM value as a starting value. At each ramp step the output is incremented or decremented by 1, unless the number of increments is 0. The time span for one ramp step is defined with the prescale bit [14] and step-time bits [13:9]. The ramp instruction controls the eight most-significant bits (MSB) of the PWM values and the remaining bits are interpolated as ramp mid-values internally for smoother transition.

Prescale = 0 sets a 0.49-ms cycle time and prescale = 1 sets a 15.6-ms cycle time; so the minimum time span for one step is 0.49 ms (prescale × step time span = 0.49 ms × 1) and the maximum time span is 15.6 ms × 31 = 484 ms/step. If all the step-time bits [13:9] are set to zero, the output value is incremented or decremented during one prescale on the whole time cycle.

The number-of-increments value defines how many steps are taken during one ramp instruction: the increment maximum value is 255, which corresponds to an increment from zero value to the maximum value. If PWM reaches the minimum or maximum value (0 or 255) during the ramp instruction, the ramp instruction is executed to the end regardless of saturation. This enables ramp instruction to be used as a combined ramp-and-wait instruction. Note: the ramp instruction is a wait instruction when the increment bits [7:0] are set to zero.

Programming ramps with variables is very similar to programming ramps with numerical operands. The only difference is that step time and number of increments are captured from variable registers when the instruction execution is started. If the variables are updated after starting the instruction execution, it has no effect on instruction execution. Again, at each ramp step the output is incremented or decremented by 1 unless the step time is 0 or the number of increments is 0. The time span for one step is defined with the prescale and step-time bits. The step time is defined with variable A, B, C, or D. Variable A is set by an I²C write to the engine 1, 2, or 3 variable A register or the *ld* instruction, variables B and C are set with the *ld* instruction, and variable D is set by an I²C write to the variable D register.

Setting the EXP_EN bit of registers 07h–0Fh high or low sets the exponential (1) or linear ramp (0). By using the exponential ramp setting, the visual effect appears like a linear ramp to the human eye.

Table 9. Ramp Instructions

INST.	Bit [15]	Bit [14]	Bit [13]	Bit [12]	Bit [11]	Bit [10]	Bit [9]	Bit [8]	Bit [7]	Bit [6]	Bit [5]	Bit [4]	Bit [3]	Bit [2]	Bit [1]	Bit [0]	
ramp ⁽¹⁾	0	pre-scale	step time					sign	no. of increments								
ramp ⁽¹⁾	1	0	0	0	0	1	0	0	0	0	pre-scale	sign	step-time variable	no.-of-increments variable			

(1) Compatible with LP5523 and LP55231

PARAMETER NAME	NUMERIC OR VARIABLE	VALUE (d)	DESCRIPTION
prescale	Numeric	0	32.7 kHz / 16 ≥ 0.488 ms cycle time
		1	32.7 kHz / 512 ≥ 15.625 ms cycle time
sign	Numeric	0	Increase PWM output
		1	Decrease PWM output
step time	Numeric	1–31	One ramp increment done is in step time × prescale. Value in the variable A, B, C, or D must be from 1 to 31 for correct operation.
	Variable	0–3	
no. of increments	Numeric	0–255	The number of ramp cycles. Variables A to D as input.
	Variable	0–3	

8.5.2.4.2 Ramp Instruction Application Example

An example of generating a 1.5-s ramp from PWM value 140 (approximately 55%) to 148 (approximately 58%). The ramp instruction uses relative values, so in this example we must ramp 8 steps up, as shown in Figure 25. The parameters for the RAMP instruction are:

- Positive ramp → sign = 0 (increase by 1)
- Step from 140 to 148 → no. of increments = 8
- Ramp time 1.5 s → 1.5 s / 8 steps = 187.5 ms/step
- Prescale = 1 → 15.625 ms cycle time
- 187.5 ms / 15.625 ms = 12 → step time = 12

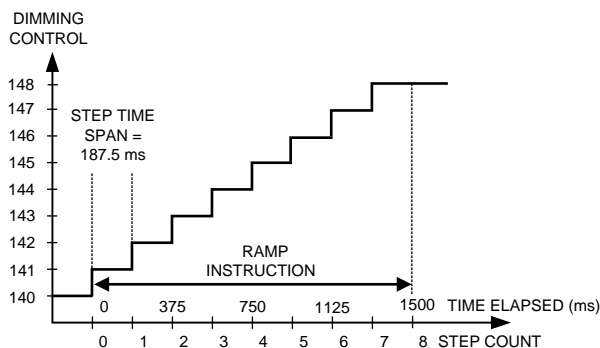


Figure 25. Example of Ramp Instruction

8.5.2.4.3 Set_PWM

This instruction is used for setting the PWM value on outputs LED0 to LED8 without any ramps. Set the PWM output value from 0 to 255 with PWM value bits [7:0]. Instruction execution takes 16 32-kHz clock cycles (= 488 μ s).

NAME	VALUE (d)	DESCRIPTION
PWM value ⁽¹⁾	0–255	PWM output duty cycle 0–100%
variable ⁽²⁾	0–3	0 = local variable A 1 = local variable B 2 = global variable C 3 = global variable D

(1) Valid for numerical operands

(2) Valid for variables

8.5.2.4.4 Wait

When a *wait* instruction is executed, the engine is set in wait status, and the PWM values on the outputs are frozen. Note: A *wait* instruction with prescale and time = 0 is invalid and is executed as *rst*.

NAME	VALUE (d)	DESCRIPTION
prescale	0	Divide master clock (32.7 kHz) by 16 which means 0.488 ms cycle time.
	1	Divide master clock (32.7 kHz) by 512 which means 15.625 ms cycle time.
time	1–31	Total wait time is = (time) \times (prescale). Maximum 484 ms, minimum 0.488 ms.

8.5.2.5 LED Mapping Instructions

These instructions define the engine-to-LED mapping. The mapping information is stored in a table, which is stored in the lower half of SRAM (program memory of the LP5569 device). The LP5569 device has three program execution engines which can be mapped to nine LED drivers. One engine can control one or multiple LED drivers. Execution engine 1 has priority over execution engines 2 and 3, with execution engine 2 having priority over execution engine 3. If an LED is mapped to more than one execution engine, the higher-priority engine controls the LED.

LED mapping instructions can be divided to two groups:

- Instructions that activate LED mapping to a certain row of the table (*map_* instructions).
- Instructions that DO NOT activate the actual LED mapping but just shift the mapping-table pointer (*load_* instructions).

Activating instructions are *map_start*, *map_sel*, *map_clr*, *map_next*, *map_prev* and *map_addr*. Instructions *load_start*, *load_end*, *load_next*, *load_prev* and *load_addr* do not activate the LED mapping. Mapping table and master fader bits can be read from I²C registers 70h–75h but are written only via engine instructions.

When an engine is actively mapped to the LEDs, the engine takes over the LED PWM control, and PWM control registers have no effect. Register control is returned when the engine is mapped to another LED. See [Figure 26](#) for a simplified diagram of LED-engine data flow. The engine does not push a new PWM value to the LED driver output before the *set_pwm* or *ramp* instruction is executed. If the mapping has been released from an LED, the value in the PWM register still controls the LED brightness, and the PWM register value remains in the last engine state.

Actual PWM control resolution of the LED engines is 12 bits, but only the 8 highest bits are visible in the I²C registers. Also, engine commands use the 8 high bits for control, and the 4 low bits are used for smoother ramps.

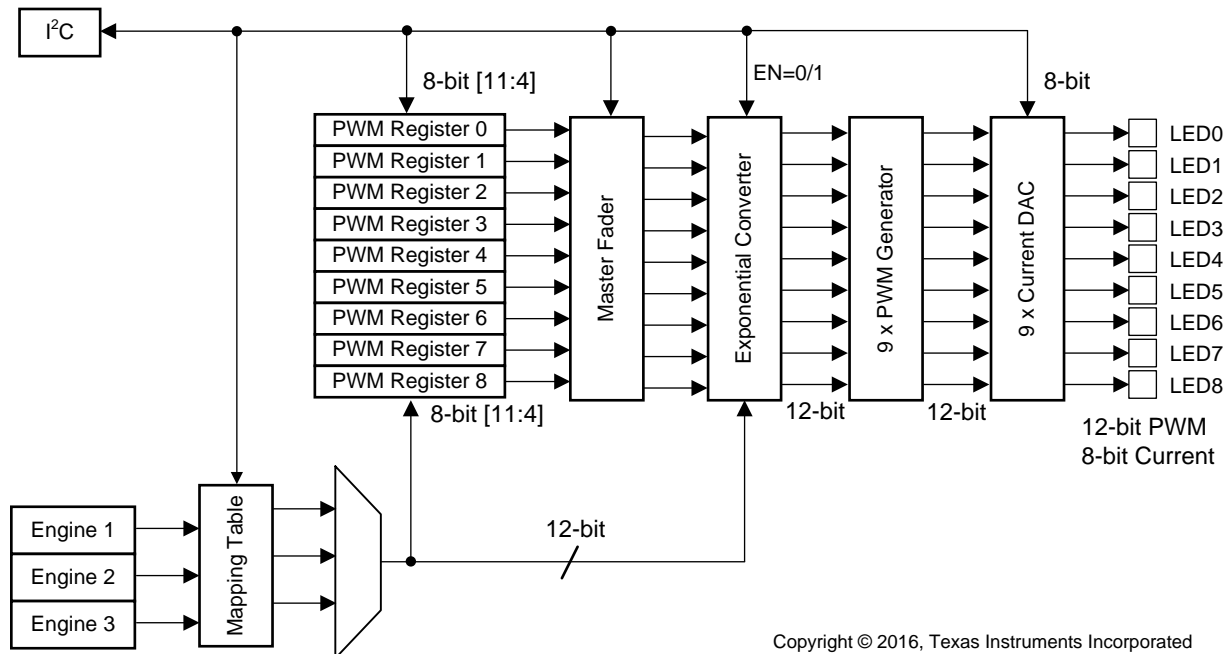


Figure 26. LED Data Flow

All LED mapping instructions use the SRAM bit to LEDx pin mapping as shown in Table 10.

Table 10. LED Mapping Bits in SRAM

	Bit [15]	Bit [14]	Bit [13]	Bit [12]	Bit [11]	Bit [10]	Bit [9]	Bit [8]	Bit[7]	Bit[6]	Bit[5]	Bit[4]	Bit[3]	Bit[2]	Bit[1]	Bit 0
LED mapping table in SRAM	—	—	—	—	—	—	0	LED8	LED 7	LED6	LED 5	LED4	LED3	LED2	LED1	LED0

Bit[9] is to enable master fader control by the engine. If this bit is set to 1 in engine 1, then master fader 1 is enabled.

Table 11. LP5569 LED Mapping Instructions

INST. (1)	Bit [15]	Bit [14]	Bit [13]	Bit [12]	Bit [11]	Bit [10]	Bit [9]	Bit [8]	Bit [7]	Bit [6]	Bit [5]	Bit [4]	Bit [3]	Bit [2]	Bit [1]	Bit [0]
load_start	1	0	0	1	1	1	1	0	0	SRAM addresses 0–127 ⁽²⁾						
map_start	1	0	0	1	1	1	0	0	0	SRAM addresses 0–127 ⁽²⁾						
load_end	1	0	0	1	1	1	0	0	1	SRAM addresses 0–127 ⁽²⁾						
map_sel	1	0	0	1	1	1	0	1	0	LED select ⁽³⁾						
map_clr	1	0	0	1	1	1	0	1	0	0	0	0	0	0	0	0
map_next	1	0	0	1	1	1	0	1	1	0	0	0	0	0	0	0
map_prev	1	0	0	1	1	1	0	1	1	1	0	0	0	0	0	0
load_next	1	0	0	1	1	1	0	1	1	0	0	0	0	0	0	1
load_prev	1	0	0	1	1	1	0	1	1	1	0	0	0	0	0	1
load_addr	1	0	0	1	1	1	1	1	0	SRAM addresses 0–127 ⁽²⁾						
map_addr	1	0	0	1	1	1	1	1	1	SRAM addresses 0–127 ⁽²⁾						

(1) These instructions are compatible with LP5523 and LP55231 mux_* LED mapping instructions.

(2) Absolute address

(3) Only values 1 through 9 are valid, any other value results in no LED driver selected.

8.5.2.5.1 LOAD_START and LOAD_END

The *load_start* and *load_end* instructions define the mapping table locations in SRAM.

NAME	VALUE (d)	DESCRIPTION
SRAM address	0–127	Mapping table start or end address restricted to lower half of memory.

8.5.2.5.2 MAP_START

The *map_start* instruction defines the mapping table start address in the memory, and the first row of the table is activated (mapped) at the same time.

NAME	VALUE (d)	DESCRIPTION
SRAM address	0–127	Mapping table start address restricted to lower half of memory.

8.5.2.5.3 MAP_SEL

With the *map_sel* instruction one, and only one, LED driver can be connected to a program execution engine. Connecting multiple LEDs to one engine is done with the mapping table. After the mapping has been released from an LED, the PWM register value still controls the LED brightness.

NAME	VALUE (d)	DESCRIPTION
LED select	0–127	0 = no drivers selected
		1 = LED1 selected
		2 = LED1 selected
		...
		9 = LED9 selected
		10–127 = no drivers selected

8.5.2.5.4 MAP_CLR

The *map_clr* instruction clears engine-to-driver mapping. After the mapping has been released from an LED, the PWM register value still controls the LED brightness.

8.5.2.5.5 MAP_NEXT

This instruction sets the next row active in the mapping table each time it is called. For example, if the second row is active at this moment, after the *map_next* instruction call the third row is active. If the mapping table end address is reached, activation rolls to the mapping-table start address the next time when the *map_next* instruction is called. The engine does not push a new PWM value to the LED driver output before the *set_pwm* or *ramp* instruction is executed. If the mapping has been released from an LED, the value in the PWM register still controls the LED brightness.

8.5.2.5.6 LOAD_NEXT

Similar to the *map_next* instruction with the exception that no mapping is set. The index pointer is set to point to the next row and the engine-to-LED-driver connection is not updated.

8.5.2.5.7 MAP_PREV

This instruction sets the previous row active in the mapping table each time it is called. For example, if the third row is active at this moment, after the *map_prev* instruction call the second row is active. If the mapping table start address is reached, activation rolls to the mapping table end address next time the *map_prev* instruction is called. The engine does not push a new PWM value to the LED driver output before the *set_pwm* or *ramp* instruction is executed. If the mapping has been released from an LED, the value in the PWM register still controls the LED brightness.

8.5.2.5.8 LOAD_PREV

Similar to the *map_prev* instruction with the exception that no mapping is set. The index pointer is set to point to the previous row and the engine-to-LED-driver connection is not updated.

8.5.2.5.9 MAP_ADDR

The *map_addr* instruction sets the index pointer to point to the mapping table row defined by bits [6:0] and sets the row active. The engine does not push a new PWM value to the LED driver output before the *set_pwm* or *ramp* instruction is executed. If the mapping has been released from an LED, the value in the PWM register still controls the LED brightness.

NAME	VALUE (d)	DESCRIPTION
SRAM address	0–127	SRAM address containing mapping data restricted to lower half of memory.

8.5.2.5.10 LOAD_ADDR

The *load_addr* instruction sets the index pointer to point to the mapping table row defined by bits [6:0], but the row is not set active.

NAME	VALUE (d)	DESCRIPTION
SRAM address	0–127	SRAM address containing mapping data restricted to lower half of memory.

8.5.2.6 Branch Instructions

8.5.2.6.1 BRANCH

The branch instruction is provided for repeating a portion of the program code several times. The branch instruction loads a step number value to the program counter. A loop count parameter defines how many times the instructions inside the loop are repeated. The step number is loaded into the PC when the instruction is executed. The PC is relative to the `ENGINEx_PROG_START` register setting. The LP5569 device supports nested looping, that is, a loop inside a loop. The number of nested loops is not limited. The instruction takes 16 32-kHz clock cycles.

Table 12. LP5569 Branch Instructions

INST.	Bit [15]	Bit [14]	Bit [13]	Bit [12]	Bit [11]	Bit [10]	Bit [9]	Bit [8]	Bit [7]	Bit [6]	Bit [5]	Bit [4]	Bit [3]	Bit [2]	Bit [1]	Bit [0]
rst	0	0	0	0	0	0	0	0	0	0	0	0	0	0	0	0
branch ⁽¹⁾	1	0	1	loop count						step number						
branch ⁽²⁾	1	0	0	0	0	1	1	step number						loop count		
int	1	1	0	0	0	1	0	0	0	0	0	0	0	0	0	0
end	1	1	0	int	reset	0	0	0	0	0	0	0	0	0	0	0
trigger	1	1	1	wait for trigger						send a trigger						0
				ext trig	X ⁽³⁾	X ⁽³⁾	E3	E2	E1	ext trig	X ⁽³⁾	X ⁽³⁾	E3	E2	E1	
trig_clear ⁽⁴⁾	1	1	1	0	0	0	0	0	0	0	0	0	0	0	0	0
jne	1	0	0	0	1	0	0	Number of instructions to be skipped if the operation returns true				variable 1		variable 2		
jl	1	0	0	0	1	0	1	Number of instructions to be skipped if the operation returns true				variable 1		variable 2		
jge	1	0	0	0	1	1	0	Number of instructions to be skipped if the operation returns true				variable 1		variable 2		
je	1	0	0	0	1	1	1	Number of instructions to be skipped if the operation returns true				variable 1		variable 2		

- (1) This opcode is used with numerical operands.
- (2) This opcode is used with variables.
- (3) X means don't care.
- (4) This is a new instruction, not available in LP5523 or LP55231.

NAME	VALUE (d)	DESCRIPTION
loop count ⁽¹⁾	0–63	The number of loops to be done. 0 means an infinite loop.
step number	0–127	The step number to be loaded to program counter.
loop count ⁽²⁾	0–3	Selects the variable for loop count value. Loop count is loaded with the value of the variable defined below.
		0 = Local variable A
		1 = Local variable B
		2 = Global variable C
		3 = Global variable D

- (1) Valid for numerical operands.
- (2) Valid for variables.

8.5.2.6.2 INT

Send an interrupt to the processor by pulling the INT pin down and setting the corresponding status bit high. Interrupts can be cleared by reading the interrupt bits in the ENGINE_STATUS register at address 3Ch.

8.5.2.6.3 RST

The *rst* instruction resets the program counter register (address 30h, 31h, or 32h) and continues executing the program from the program the start address defined in register addresses 4Bh–4Dh. The instruction takes 16 32-kHz clock cycles. Note that default value for all program memory registers is 0000h, which is the *rst* instruction.

8.5.2.6.4 END

End program execution. The instruction takes 16 32-kHz clock cycles.

NAME	VALUE (d)	DESCRIPTION
int	0	No interrupt is sent. PWM register values remain intact.
	1	Reset program counter value to 0 and send interrupt to processor by pulling the INT pin down and setting the corresponding status bit high to notify that the program has ended. PWM register values remain intact. Interrupts can be cleared by reading the interrupt bits in STATUS/INTERRUPT register at address 3Ch.
reset	0	Reset program counter value to 0 and hold. PWM register values remain intact.
	1	Reset program counter value to 0 and hold. PWM register values of the non-mapped drivers remain. PWM register values of the mapped drivers are set to 0000 0000b.

8.5.2.6.5 TRIGGER and TRIG_CLEAR

The wait-for-trigger or send-a-trigger instruction can be used to synchronize operation between the program execution engines. Sending a trigger instruction takes 16 32-kHz clock cycles and waiting for a trigger takes at least 16 32-kHz clock cycles. The receiving engine stores the triggers that have been sent. Received triggers are cleared by the wait-for-trigger instruction or *trig_clear* instruction. The wait-for-trigger instruction is executed until all the defined triggers have been received. (Note: several triggers can be defined in the same instruction.) The external-trigger input signal must stay low for at least two 32-kHz clock cycles to be executed. The trigger output signal is three 32-kHz clock cycles long. The external trigger signal is active-low; for example, when a trigger is sent or received, the pin is pulled to GND. Sending an external trigger is masked; that is, the device which has sent the trigger does not recognize the trigger it sent. If send and wait external triggers are used on the same instruction, the send external trigger is executed first, followed by the wait external trigger.

The *trig_clear* instruction clears pending triggers for a single execution engine. Use this instruction in each execution engine at the beginning of program execution to clear any pending triggers. Pending triggers are always cleared whenever the engine mode is in the disabled state or load program to SRAM (see [SRAM Memory](#)).

NAME	VALUE (d)	DESCRIPTION
wait for trigger	0–31	Wait for trigger from the engine(s). Several triggers can be defined in the same instruction. Bit [7]: Wait for trigger from engine 1. Bit [8]: Wait for trigger from engine 2. Bit [9]: Wait for trigger from engine 3. Bit [12]: Wait for trigger from GPIO/TRIG/INT pin. Bits [10] and [11] are not used.
send a trigger	0–31	Send a trigger to the engine(s). Several triggers can be defined in the same instruction. Bit [1]: Send trigger to engine 1. Bit [2]: Send trigger to engine 2. Bit [3]: Send trigger to engine 3. Bit [6]: Send trigger to GPIO/TRIG/INT pin. Bits [4] and [5]: are not used.

8.5.2.6.6 JNE, JGE, JL, and JE

The LP5569 instruction set includes the following conditional jump instructions: jne (jump if not equal); jge (jump if greater or equal); jl (jump if less); je (jump if equal). If the condition is true, a certain number of instructions are skipped (that is, the program jumps forward to a location relative to the present location). If the condition is false, the next instruction is executed.

NAME	VALUE (d)	DESCRIPTION
Number of instructions to be skipped if the operation returns true.	0–31	The number of instructions to be skipped when the statement is true. Note: value 0 means redundant code.
variable 1	0–3	Defines the variable to be used in the test: 0 = Local variable A 1 = Local variable B 2 = Global variable C 3 = Global variable D

NAME	VALUE (d)	DESCRIPTION
variable 2	0–3	Defines the variable to be used in the test: 0 = Local variable A 1 = Local variable B 2 = Global variable C 3 = Global variable D

8.5.2.7 Data Transfer and Arithmetic Instructions

Table 13. LP5569 Data Transfer and Arithmetic Instructions

INST.	Bit [15]	Bit [14]	Bit [13]	Bit [12]	Bit [11]	Bit [10]	Bit [9]	Bit [8]	Bit [7]	Bit [6]	Bit [5]	Bit [4]	Bit [3]	Bit [2]	Bit [1]	Bit [0]
ld	1	0	0	1	target variable		0	0	8-bit value 0							
add ⁽¹⁾	1	0	0	1	target variable		0	1	8-bit value 0							
add ⁽²⁾	1	0	0	1	target variable		1	1	0	0	0	0	var 1		var 2	
sub ⁽¹⁾	1	0	0	1	target variable		1	0								
sub ⁽²⁾	1	0	0	1	target variable		1	1	0	0	0	1	var 1		var 2	

(1) This opcode is used with numerical operands

(2) This opcode is used with variables.

8.5.2.7.1 LD

This instruction is used to assign a value into a variable; the previous value in that variable is overwritten. Each of the engines has two local variables, called A and B. The variable C is a global variable.

NAME	VALUE (d)	DESCRIPTION
target variable	0–2	0 = Variable A 1 = Variable B 2 = Variable C
8-bit value	0–255	Variable value

8.5.2.7.2 ADD

This operator either adds an 8-bit value to the current value of the target variable, or adds the value of variable 1 (A, B, C, or D) to the value of variable 2 (A, B, C, or D) and stores the result in the register of variable A, B, or C. Variables overflow from 255 to 0.

NAME	VALUE (d)	DESCRIPTION
8-bit value ⁽¹⁾	0–255	The value to be added.
target variable	0–2	0 = Variable A 1 = Variable B 2 = Variable C
variable 1 ⁽²⁾	0–3	0 = Local variable A 1 = Local variable B 2 = Global variable C 3 = Global variable D
variable 2 ⁽²⁾	0–3	0 = Local variable A 1 = Local variable B 2 = Global variable C 3 = Global variable D

(1) Valid for numerical operands.

(2) Valid for variables.

8.5.2.7.3 SUB

The SUB operator either subtracts an 8-bit value from the current value of the target variable, or subtracts the value of variable 2 (A, B, C, or D) from the value of variable 1 (A, B, C, or D) and stores the result in the register of the target variable (A, B, or C). Variables overflow from 0 to 255.

NAME	VALUE (d)	DESCRIPTION
8-bit value ⁽¹⁾	0–255	The value to be subtracted.
target variable	0–2	0 = Variable A 1 = Variable B 2 = Variable C
variable 1 ⁽²⁾	0–3	0 = Local variable A 1 = Local variable B 2 = Global variable C 3 = Global variable D
variable 2 ⁽²⁾	0–3	0 = Local variable A 1 = Local variable B 2 = Global variable C 3 = Global variable D

(1) Valid for numerical operands

(2) Valid for variables

8.6 Register Maps

8.6.1 LP5569_MAP Registers

Table 14 lists the memory-mapped registers for the LP5569_MAP. All register offset addresses not listed in Table 14 should be considered as reserved locations and the register contents should not be modified.

Table 14. LP5569_MAP Registers

ADDRESS	ACRONYM	REGISTER NAME	SECTION
0h	CONFIG	Configuration Register	Go
1h	LED_ENGINE_CONTROL1	Engine Execution Control Register	Go
2h	LED_ENGINE_CONTROL2	Engine Operation Mode Register	Go
7h	LED0_CONTROL	LED0 Control Register	Go
8h	LED1_CONTROL	LED1 Control Register	Go
9h	LED2_CONTROL	LED2 Control Register	Go
Ah	LED3_CONTROL	LED3 Control Register	Go
Bh	LED4_CONTROL	LED4 Control Register	Go
Ch	LED5_CONTROL	LED5 Control Register	Go
Dh	LED6_CONTROL	LED6 Control Register	Go
Eh	LED7_CONTROL	LED7 Control Register	Go
Fh	LED8_CONTROL	LED8 Control Register	Go
16h	LED0_PWM	LED0 PWM Duty Cycle	Go
17h	LED1_PWM	LED1 PWM Duty Cycle	Go
18h	LED2_PWM	LED2 PWM Duty Cycle	Go
19h	LED3_PWM	LED3 PWM Duty Cycle	Go
1Ah	LED4_PWM	LED4 PWM Duty Cycle	Go
1Bh	LED5_PWM	LED5 PWM Duty Cycle	Go
1Ch	LED6_PWM	LED6 PWM Duty Cycle	Go
1Dh	LED7_PWM	LED7 PWM Duty Cycle	Go
1Eh	LED8_PWM	LED8 PWM Duty Cycle	Go
22h	LED0_CURRENT	LED0 Current Control	Go
23h	LED1_CURRENT	LED1 Current Control	Go
24h	LED2_CURRENT	LED2 Current Control	Go
25h	LED3_CURRENT	LED3 Current Control	Go
26h	LED4_CURRENT	LED4 Current Control	Go
27h	LED5_CURRENT	LED5 Current Control	Go
28h	LED6_CURRENT	LED6 Current Control	Go
29h	LED7_CURRENT	LED7 Current Control	Go
2Ah	LED8_CURRENT	LED8 Current Control	Go
2Fh	MISC	I2C, Charge Pump and Clock Configuration	Go
30h	ENGINE1_PC	Engine1 Program Counter	Go
31h	ENGINE2_PC	Engine2 Program Counter	Go
32h	ENGINE3_PC	Engine3 Program Counter	Go
33h	MISC2	Charge Pump and LED Configuration	Go
3Ch	ENGINE_STATUS	Engine 1, 2 & 3 Status	Go
3Dh	IO_CONTROL	TRIG, INT and CLK Configuration	Go
3Eh	VARIABLE_D	Global Variable D	Go
3Fh	RESET	Software Reset	Go
42h	ENGINE1_VARIABLE_A	Engine 1 Local Variable A	Go
43h	ENGINE2_VARIABLE_A	Engine 2 Local Variable A	Go
44h	ENGINE3_VARIABLE_A	Engine 3 Local Variable A	Go

Table 14. LP5569_MAP Registers (continued)

ADDRESS	ACRONYM	REGISTER NAME	SECTION
46h	MASTER_FADER1	Engine 1 Master Fader	Go
47h	MASTER_FADER2	Engine 2 Master Fader	Go
48h	MASTER_FADER3	Engine 3 Master Fader	Go
4Ah	MASTER_FADER_PWM	PWM Input Duty Cycle	Go
4Bh	ENGINE1_PROG_START	Engine 1 Program Starting Address	Go
4Ch	ENGINE2_PROG_START	Engine 2 Program Starting Address	Go
4Dh	ENGINE3_PROG_START	Engine 2 Program Starting Address	Go
4Fh	PROG_MEM_PAGE_SELECT	Program Memory Page Select	Go
50h	PROGRAM_MEM_00	MSB 0	Go
51h	PROGRAM_MEM_01	LSB 0	Go
52h	PROGRAM_MEM_02	MSB 1	Go
53h	PROGRAM_MEM_03	LSB 1	Go
54h	PROGRAM_MEM_04	MSB 2	Go
55h	PROGRAM_MEM_05	LSB 2	Go
56h	PROGRAM_MEM_06	MSB 3	Go
57h	PROGRAM_MEM_07	LSB 3	Go
58h	PROGRAM_MEM_08	MSB 4	Go
59h	PROGRAM_MEM_09	LSB 4	Go
5Ah	PROGRAM_MEM_10	MSB 5	Go
5Bh	PROGRAM_MEM_11	LSB 5	Go
5Ch	PROGRAM_MEM_12	MSB 6	Go
5Dh	PROGRAM_MEM_13	LSB 6	Go
5Eh	PROGRAM_MEM_14	MSB 7	Go
5Fh	PROGRAM_MEM_15	LSB 7	Go
60h	PROGRAM_MEM_16	MSB 8	Go
61h	PROGRAM_MEM_17	LSB 8	Go
62h	PROGRAM_MEM_18	MSB 9	Go
63h	PROGRAM_MEM_19	LSB 9	Go
64h	PROGRAM_MEM_20	MSB 10	Go
65h	PROGRAM_MEM_21	LSB 10	Go
66h	PROGRAM_MEM_22	MSB 11	Go
67h	PROGRAM_MEM_23	LSB 11	Go
68h	PROGRAM_MEM_24	MSB 12	Go
69h	PROGRAM_MEM_25	LSB 12	Go
6Ah	PROGRAM_MEM_26	MSB 13	Go
6Bh	PROGRAM_MEM_27	LSB 13	Go
6Ch	PROGRAM_MEM_28	MSB 14	Go
6Dh	PROGRAM_MEM_29	LSB 14	Go
6Eh	PROGRAM_MEM_30	MSB 15	Go
6Fh	PROGRAM_MEM_31	LSB 15	Go
70h	ENGINE1_MAPPING1	Engine 1 LED [8] and Master Fader Mapping	Go
71h	ENGINE1_MAPPING2	Engine 1 LED [7:0] Mapping	Go
72h	ENGINE2_MAPPING1	Engine 2 LED [8] and Master Fader Mapping	Go
73h	ENGINE2_MAPPING2	Engine 2 LED [7:0] Mapping	Go
74h	ENGINE3_MAPPING1	Engine 3 LED [8] and Master Fader Mapping	Go
75h	ENGINE3_MAPPING2	Engine 3 LED [7:0] Mapping	Go
80h	PWM_CONFIG	PWM Input Configuration	Go

Table 14. LP5569_MAP Registers (continued)

ADDRESS	ACRONYM	REGISTER NAME	SECTION
81h	LED_FAULT1	LED [8] Fault Status	Go
82h	LED_FAULT2	LED [7:0] Fault Status	Go
83h	GENERAL_FAULT	CP Cap, UVLO and TSD Fault Status	Go

Table 15. Register Access-Type Codes

Access Type	Code	Description
Read Type		
R	R	Read
Write Type		
W	W	Write
Reset or Default Value		
-n		Value after reset or the default value

8.6.1.1 CONFIG Register (Address = 0h) [reset = 0h]

CONFIG is shown in [Figure 27](#) and described in [Table 16](#).

Return to [Summary Table](#).

Configuration Register

Figure 27. CONFIG Register

7	6	5	4	3	2	1	0
RESERVED	chip_en	RESERVED					
R/W-0h	R/W-0h	R/W-0h					

Table 16. CONFIG Register Field Descriptions

Bit	Field	Type	Reset	Description
7	RESERVED	R/W	0h	
6	chip_en	R/W	0h	0 = LP5569 not enabled (default) 1 = LP5569 enabled
5–0	RESERVED	R/W	0h	Reserved

8.6.1.2 LED_ENGINE_CONTROL1 Register (Address = 1h) [reset = 0h]

LED_ENGINE_CONTROL1 is shown in [Figure 28](#) and described in [Table 17](#).

Return to [Summary Table](#).

LED Engine Control Register 1

Execution states are defined in this register, and they are only applicable when the corresponding mode register in LED_ENGINE_CONTROL2 is set to the run mode. Execution-state values may be written by the host in other modes, but the engine disregards the write until the mode changes to run mode. The fields in this register define how the program is executed out of SRAM:

HOLD: The engine does not execute any instructions, but the program counter holds its current value unless overwritten by the host. This is the only state in which the PC can be written.

STEP: Executes a single instruction, increments the PC, and then changes to the hold state. If the instruction is a ramp or wait, the engine waits for this instruction to complete before changing to the hold state.

FREE RUN: The engine begins instruction execution from the current value of the PC. The program counter is reset to zero when its upper-limit value is reached at the top of SRAM memory.

EXECUTE ONCE: Executes a single instruction and then changes to the hold state. The PC remains unaffected unless the instruction is a branch command, in which case it changes if the branch is taken. If the instruction is a ramp or wait, it waits for this instruction to complete before changing to hold state.

Figure 28. LED_ENGINE_CONTROL1 Register

7	6	5	4	3	2	1	0
ch1_exec		ch2_exec		ch3_exec		RESERVED	
R/W-0h		R/W-0h		R/W-0h		R/W-0h	

Table 17. LED_ENGINE_CONTROL1 Register Field Descriptions

Bit	Field	Type	Reset	Description
7–6	ch1_exec	R/W	0h	Engine 1 program execution control 00 = Hold: PC can be read or written only in this mode. (default) 01 = Step. Execute one instruction and return to hold mode. 10 = Free run. Start program from PC. 11 = Execute once. Execute one instruction but don't increment PC.
5–4	ch2_exec	R/W	0h	Engine 2 program execution control 00 = Hold: PC can be read or written only in this mode. (default) 01 = Step. Execute one instruction and return to hold mode. 10 = Free run. Start program from PC. 11 = Execute once. Execute one instruction but don't increment PC.
3–2	ch3_exec	R/W	0h	Engine 3 program execution control 00 = Hold: PC can be read or written only in this mode. (default) 01 = Step. Execute one instruction and return to hold mode. 10 = Free run. Start program from PC. 11 = Execute once. Execute one instruction but don't increment PC.
1–0	RESERVED	R/W	0h	

8.6.1.3 LED_ENGINE_CONTROL2 Register (Address = 2h) [reset = 0h]

LED_ENGINE_CONTROL2 is shown in [Figure 29](#) and described in [Table 18](#).

Return to [Summary Table](#).

LED Engine Control Register 2

Operation modes are defined in this register.

DISABLED: Engines each can be configured to be disabled independently. When disabled, the program counter per ENGINE_x_PC is set to 0 and the engine does not execute instructions.

LOAD PROGRAM: Writing to program memory is allowed only when the engine is in the load-program operation mode and the engine-busy bit (register 3C) is not set. The host should check the engine-busy bit before writing to program memory or allow at a least 1-ms delay after entering the load mode before memory write, to ensure initialization. If any engine is set to the load-program mode, then the other engines should be set either to the disabled or load-program mode, because they are inhibited from executing instructions while loading the SRAM. The load-program mode also resets the program counter of the respective engine. The load-program mode can only be entered from the disabled mode.

RUN PROGRAM: The run-program mode executes the instructions stored in the program memory. Execution register (LED_ENGINE_CONTROL1) bits define how the program is executed (hold, step, free-run or execute once).

HALT: Instruction execution aborts immediately and engine operation halts.

Figure 29. LED_ENGINE_CONTROL2 Register

7	6	5	4	3	2	1	0
ch1_mode		ch2_mode		ch3_mode		RESERVED	
R/W-0h		R/W-0h		R/W-0h		R/W-0h	

Table 18. LED_ENGINE_CONTROL2 Register Field Descriptions

Bit	Field	Type	Reset	Description
7–6	ch1_mode	R/W	0h	Engine 1 operation mode 00 = Disabled (default) 01 = Load program to SRAM 10 = Run program 11 = Halt

Table 18. LED_ENGINE_CONTROL2 Register Field Descriptions (continued)

Bit	Field	Type	Reset	Description
5–4	ch2_mode	R/W	0h	Engine 2 operation mode 00 = Disabled (default) 01 = Load program to SRAM 10 = Run program 11 = Halt
3–2	ch3_mode	R/W	0h	Engine 3 operation mode 00 = Disabled (default) 01 = Load program to SRAM 10 = Run program 11 = Halt
1–0	RESERVED	R/W	0h	

8.6.1.4 LED0_CONTROL Register (Address = 7h) [reset = 0h]

LED0_CONTROL is shown in [Figure 30](#) and described in [Table 19](#).

Return to [Summary Table](#).

LED0 Control Register

Figure 30. LED0_CONTROL Register

7	6	5	4	3	2	1	0
mf_mapping0		led0_ratio_en		exp_en0	external_power 0	RESERVED	
R/W-0h		R/W-0h		R/W-0h	R/W-0h	R/W-0h	

Table 19. LED0_CONTROL Register Field Descriptions

Bit	Field	Type	Reset	Description
7–5	mf_mapping0	R/W	0h	Master fader mapping select: 0h = No master fading (default) 1h = Master fader1 2h = Master fader2 3h = Master fader3 4h = No master fading 5h = PWM input master fading 6h = No master fading 7h = No master fading
4	led0_ratio_en	R/W	0h	0 = Disables ratiometric dimming (default) 1 = Enables ratiometric dimming When ratiometric dimming is enabled, the emitted color of an RGB-LED remains the same regardless of the initial magnitude of the LED output.
3	exp_en0	R/W	0h	0 = Linear adjustment (default) 1 = Exponential adjustment This bit is effective for both the program execution engine control and direct PWM control.
2	external_power0	R/W	0h	0 = LED is powered by charge pump (default) 1 = LED is powered by external power source
1–0	RESERVED	R/W	0h	

8.6.1.5 LED1_CONTROL Register (Address = 8h) [reset = 0h]

LED1_CONTROL is shown in [Figure 31](#) and described in [Table 20](#).

Return to [Summary Table](#).

LED1 Control Register

Figure 31. LED1_CONTROL Register

7	6	5	4	3	2	1	0
mf_mapping1		led1_ratio_en		exp_en1	external_power 1	RESERVED	
R/W-0h		R/W-0h		R/W-0h	R/W-0h	R/W-0h	

Table 20. LED1_CONTROL Register Field Descriptions

Bit	Field	Type	Reset	Description
7–5	mf_mapping1	R/W	0h	Master fader mapping select: 0h = No master fading (default) 1h = Master fader1 2h = Master fader2 3h = Master fader3 4h = No master fading 5h = PWM input master fading 6h = No master fading 7h = No master fading
4	led1_ratio_en	R/W	0h	0 = Disables ratiometric dimming (default) 1 = Enables ratiometric dimming When ratiometric dimming is enabled, the emitted color of an RGB LED remains the same regardless of the initial magnitude of the LED output.
3	exp_en1	R/W	0h	0 = Linear adjustment (default) 1 = Exponential adjustment This bit is effective for both the program execution engine control and direct PWM control.
2	external_power1	R/W	0h	0 = LED is powered by charge pump (default) 1 = LED is powered by external power source
1–0	RESERVED	R/W	0h	

8.6.1.6 LED2_CONTROL Register (Address = 9h) [reset = 0h]

LED2_CONTROL is shown in [Figure 32](#) and described in [Table 21](#).

Return to [Summary Table](#).

LED2 Control Register

Figure 32. LED2_CONTROL Register

7	6	5	4	3	2	1	0
mf_mapping2		led2_ratio_en		exp_en2	external_power 2	RESERVED	
R/W-0h		R/W-0h		R/W-0h	R/W-0h	R/W-0h	

Table 21. LED2_CONTROL Register Field Descriptions

Bit	Field	Type	Reset	Description
7–5	mf_mapping2	R/W	0h	Master fader mapping select: 0h = No master fading (default) 1h = Master fader1 2h = Master fader2 3h = Master fader3 4h = No master fading 5h = PWM input master fading 6h = No master fading 7h = No master fading
4	led2_ratio_en	R/W	0h	0 = Disables ratiometric dimming (default) 1 = Enables ratiometric dimming When ratiometric dimming is enabled, the emitted color of an RGB LED remains the same regardless of the initial magnitude of the LED output.

Table 21. LED2_CONTROL Register Field Descriptions (continued)

Bit	Field	Type	Reset	Description
3	exp_en2	R/W	0h	0 = Linear adjustment (default) 1 = Exponential adjustment This bit is effective for both the program execution engine control and direct PWM control.
2	external_power2	R/W	0h	0 = LED is powered by charge pump (default) 1 = LED is powered by external power source
1–0	RESERVED	R/W	0h	

8.6.1.7 LED3_CONTROL Register (Address = Ah) [reset = 0h]

 LED3_CONTROL is shown in [Figure 33](#) and described in [Table 22](#).

 Return to [Summary Table](#).

LED3 Control Register

Figure 33. LED3_CONTROL Register

7	6	5	4	3	2	1	0
mf_mapping3		led3_ratio_en		exp_en3	external_power3	RESERVED	
R/W-0h		R/W-0h		R/W-0h	R/W-0h	R/W-0h	

Table 22. LED3_CONTROL Register Field Descriptions

Bit	Field	Type	Reset	Description
7–5	mf_mapping3	R/W	0h	Master fader mapping select: 0h = No master fading (default) 1h = Master fader1 2h = Master fader2 3h = Master fader3 4h = No master fading 5h = PWM input master fading 6h = No master fading 7h = No master fading
4	led3_ratio_en	R/W	0h	0 = Disables ratiometric dimming (default) 1 = Enables ratiometric dimming When ratiometric dimming is enabled, the emitted color of an RGB-LED remains the same regardless of the initial magnitude of the LED output.
3	exp_en3	R/W	0h	0 = Linear adjustment (default) 1 = Exponential adjustment This bit is effective for both the program execution engine control and direct PWM control.
2	external_power3	R/W	0h	0 = LED is powered by charge pump (default) 1 = LED is powered by external power source
1–0	RESERVED	R/W	0h	

8.6.1.8 LED4_CONTROL Register (Address = Bh) [reset = 0h]

 LED4_CONTROL is shown in [Figure 34](#) and described in [Table 23](#).

 Return to [Summary Table](#).

LED4 Control Register

Figure 34. LED4_CONTROL Register

7	6	5	4	3	2	1	0
mf_mapping4		led4_ratio_en		exp_en4	external_power 4	RESERVED	
R/W-0h		R/W-0h		R/W-0h	R/W-0h	R/W-0h	

Table 23. LED4_CONTROL Register Field Descriptions

Bit	Field	Type	Reset	Description
7–5	mf_mapping4	R/W	0h	Master fader mapping select: 0h = No master fading (default) 1h = Master fader1 2h = Master fader2 3h = Master fader3 4h = No master fading 5h = PWM input master fading 6h = No master fading 7h = No master fading
4	led4_ratio_en	R/W	0h	0 = Disables ratiometric dimming (default) 1 = Enables ratiometric dimming When ratiometric dimming is enabled, the emitted color of an RGB LED remains the same regardless of the initial magnitude of the LED output.
3	exp_en4	R/W	0h	0 = linear adjustment (default) 1 = exponential adjustment This bit is effective for both the program execution engine control and direct PWM control.
2	external_power4	R/W	0h	0 = LED is powered by charge pump (default) 1 = LED is powered by external power source
1–0	RESERVED	R/W	0h	

8.6.1.9 LED5_CONTROL Register (Address = Ch) [reset = 0h]

LED5_CONTROL is shown in [Figure 35](#) and described in [Table 24](#).

Return to [Summary Table](#).

LED5 Control Register

Figure 35. LED5_CONTROL Register

7	6	5	4	3	2	1	0
mf_mapping5		led5_ratio_en		exp_en5	external_power 5	RESERVED	
R/W-0h		R/W-0h		R/W-0h	R/W-0h	R/W-0h	

Table 24. LED5_CONTROL Register Field Descriptions

Bit	Field	Type	Reset	Description
7–5	mf_mapping5	R/W	0h	Master fader mapping select: 0h = No master fading (default) 1h = Master fader1 2h = Master fader2 3h = Master fader3 4h = No master fading 5h = PWM input master fading 6h = No master fading 7h = No master fading
4	led5_ratio_en	R/W	0h	0 = Disables ratiometric dimming (default) 1 = Enables ratiometric dimming When ratiometric dimming is enabled, the emitted color of an RGB LED remains the same regardless of the initial magnitude of the LED output.

Table 24. LED5_CONTROL Register Field Descriptions (continued)

Bit	Field	Type	Reset	Description
3	exp_en5	R/W	0h	0 = Linear adjustment (default) 1 = exponential adjustment This bit is effective for both the program execution engine control and direct PWM control.
2	external_power5	R/W	0h	0 = LED is powered by charge pump (default) 1 = LED is powered by external power source
1–0	RESERVED	R/W	0h	

8.6.1.10 LED6_CONTROL Register (Address = Dh) [reset = 0h]

 LED6_CONTROL is shown in [Figure 36](#) and described in [Table 25](#).

 Return to [Summary Table](#).

LED6 Control Register

Figure 36. LED6_CONTROL Register

7	6	5	4	3	2	1	0
mf_mapping6		led6_ratio_en		exp_en6	external_power6	RESERVED	
R/W-0h		R/W-0h		R/W-0h	R/W-0h	R/W-0h	

Table 25. LED6_CONTROL Register Field Descriptions

Bit	Field	Type	Reset	Description
7–5	mf_mapping6	R/W	0h	Master fader mapping select: 0h = No master fading (default) 1h = Master fader1 2h = Master fader2 3h = Master fader3 4h = No master fading 5h = PWM input master fading 6h = No master fading 7h = No master fading
4	led6_ratio_en	R/W	0h	0 = Disables ratiometric dimming (default) 1 = Enables ratiometric dimming When ratiometric dimming is enabled, the emitted color of an RGBLED remains the same regardless of the initial magnitude of the LED output.
3	exp_en6	R/W	0h	0 = linear adjustment (default) 1 = exponential adjustment This bit is effective for both the program execution engine control and direct PWM control.
2	external_power6	R/W	0h	0 = LED is powered by charge pump (default) 1 = LED is powered by external power source
1–0	RESERVED	R/W	0h	

8.6.1.11 LED7_CONTROL Register (Address = Eh) [reset = 0h]

 LED7_CONTROL is shown in [Figure 37](#) and described in [Table 26](#).

 Return to [Summary Table](#).

LED7 Control Register

Figure 37. LED7_CONTROL Register

7	6	5	4	3	2	1	0
mf_mapping7		led7_ratio_en		exp_en7	external_power 7	RESERVED	
R/W-0h		R/W-0h		R/W-0h	R/W-0h	R/W-0h	

Table 26. LED7_CONTROL Register Field Descriptions

Bit	Field	Type	Reset	Description
7–5	mf_mapping7	R/W	0h	Master fader mapping select: 0h = No master fading (default) 1h = Master fader1 2h = Master fader2 3h = Master fader3 4h = No master fading 5h = PWM input master fading 6h = No master fading 7h = No master fading
4	led7_ratio_en	R/W	0h	0 = Disables ratiometric dimming (default) 1 = Enables ratiometric dimming When ratiometric dimming is enabled, the emitted color of an RGB LED remains the same regardless of the initial magnitude of the LED output.
3	exp_en7	R/W	0h	0 = Linear adjustment (default) 1 = Exponential adjustment This bit is effective for both the program execution engine control and direct PWM control.
2	external_power7	R/W	0h	0 = LED is powered by charge pump (default) 1 = LED is powered by external power source
1–0	RESERVED	R/W	0h	

8.6.1.12 LED8_CONTROL Register (Address = Fh) [reset = 0h]

LED8_CONTROL is shown in [Figure 38](#) and described in [Table 27](#).

Return to [Summary Table](#).

LED8 Control Register

Figure 38. LED8_CONTROL Register

7	6	5	4	3	2	1	0
mf_mapping8		led8_ratio_en		exp_en8	external_power 8	RESERVED	
R/W-0h		R/W-0h		R/W-0h	R/W-0h	R/W-0h	

Table 27. LED8_CONTROL Register Field Descriptions

Bit	Field	Type	Reset	Description
7–5	mf_mapping8	R/W	0h	Master fader mapping select: 0h = No master fading (default) 1h = Master fader1 2h = Master fader2 3h = Master fader3 4h = No master fading 5h = PWM input master fading 6h = No master fading 7h = No master fading
4	led8_ratio_en	R/W	0h	0 = Disables ratiometric dimming (default) 1 = Enables ratiometric dimming When ratiometric dimming is enabled, the emitted color of an RGB LED remains the same regardless of the initial magnitude of the LED output.

Table 27. LED8_CONTROL Register Field Descriptions (continued)

Bit	Field	Type	Reset	Description
3	exp_en8	R/W	0h	0 = Linear adjustment (default) 1 = Exponential adjustment This bit is effective for both the program execution engine control and direct PWM control.
2	external_power8	R/W	0h	0 = LED is powered by charge pump (default) 1 = LED is powered by external power source
1–0	RESERVED	R/W	0h	

8.6.1.13 LED0_PWM Register (Address = 16h) [reset = 0h]

 LED0_PWM is shown in [Figure 39](#) and described in [Table 28](#).

 Return to [Summary Table](#).

LED0 PWM Register

This is the PWM duty cycle control for the LED0 output.

Figure 39. LED0_PWM Register

7	6	5	4	3	2	1	0
pwm0							
R/W-0h							

Table 28. LED0_PWM Register Field Descriptions

Bit	Field	Type	Reset	Description
7–0	pwm0	R/W	0h	00h = 0% duty cycle (default) ... 80h = 50% duty cycle ... FFh = 100% duty cycle

8.6.1.14 LED1_PWM Register (Address = 17h) [reset = 0h]

 LED1_PWM is shown in [Figure 40](#) and described in [Table 29](#).

 Return to [Summary Table](#).

LED1 PWM Register

This is the PWM duty cycle control for the LED1 output.

Figure 40. LED1_PWM Register

7	6	5	4	3	2	1	0
pwm1							
R/W-0h							

Table 29. LED1_PWM Register Field Descriptions

Bit	Field	Type	Reset	Description
7–0	pwm1	R/W	0h	00h = 0% duty cycle (default) ... 80h = 50% duty cycle ... FFh = 100% duty cycle

8.6.1.15 LED2_PWM Register (Address = 18h) [reset = 0h]

LED2_PWM is shown in [Figure 41](#) and described in [Table 30](#).

Return to [Summary Table](#).

LED2 PWM Register

This is the PWM duty cycle control for the LED2 output.

Figure 41. LED2_PWM Register

7	6	5	4	3	2	1	0
pwm2							
R/W-0h							

Table 30. LED2_PWM Register Field Descriptions

Bit	Field	Type	Reset	Description
7–0	pwm2	R/W	0h	00h = 0% duty cycle (default) ... 80h = 50% duty cycle ... FFh = 100% duty cycle-

8.6.1.16 LED3_PWM Register (Address = 19h) [reset = 0h]

LED3_PWM is shown in [Figure 42](#) and described in [Table 31](#).

Return to [Summary Table](#).

LED3 PWM Register

This is the PWM duty cycle control for the LED3 output.

Figure 42. LED3_PWM Register

7	6	5	4	3	2	1	0
pwm3							
R/W-0h							

Table 31. LED3_PWM Register Field Descriptions

Bit	Field	Type	Reset	Description
7–0	pwm3	R/W	0h	00h = 0% duty cycle (default) ... 80h = 50% duty cycle ... FFh = 100% duty cycle

8.6.1.17 LED4_PWM Register (Address = 1Ah) [reset = 0h]

LED4_PWM is shown in [Figure 43](#) and described in [Table 32](#).

Return to [Summary Table](#).

LED4 PWM Register

This is the PWM duty cycle control for the LED4 output.

Figure 43. LED4_PWM Register

7	6	5	4	3	2	1	0
pwm4							
R/W-0h							

Table 32. LED4_PWM Register Field Descriptions

Bit	Field	Type	Reset	Description
7–0	pwm4	R/W	0h	00h = 0% duty cycle (default) ... 80h = 50% duty cycle ... FFh = 100% duty cycle

8.6.1.18 LED5_PWM Register (Address = 1Bh) [reset = 0h]

 LED5_PWM is shown in [Figure 44](#) and described in [Table 33](#).

 Return to [Summary Table](#).

LED5 PWM Register

This is the PWM duty cycle control for the LED5 output.

Figure 44. LED5_PWM Register

7	6	5	4	3	2	1	0
pwm5							
R/W-0h							

Table 33. LED5_PWM Register Field Descriptions

Bit	Field	Type	Reset	Description
7–0	pwm5	R/W	0h	00h = 0% duty cycle (default) ... 80h = 50% duty cycle ... FFh = 100% duty cycle

8.6.1.19 LED6_PWM Register (Address = 1Ch) [reset = 0h]

 LED6_PWM is shown in [Figure 45](#) and described in [Table 34](#).

 Return to [Summary Table](#).

LED6 PWM Register

This is the PWM duty cycle control for the LED6 output.

Figure 45. LED6_PWM Register

7	6	5	4	3	2	1	0
pwm6							
R/W-0h							

Table 34. LED6_PWM Register Field Descriptions

Bit	Field	Type	Reset	Description
7–0	pwm6	R/W	0h	00h = 0% duty cycle (default) ... 80h = 50% duty cycle ... FFh = 100% duty cycle

8.6.1.20 LED7_PWM Register (Address = 1Dh) [reset = 0h]

 LED7_PWM is shown in [Figure 46](#) and described in [Table 35](#).

 Return to [Summary Table](#).

LED7 PWM Register

This is the PWM duty cycle control for the LED7 output.

Figure 46. LED7_PWM Register

7	6	5	4	3	2	1	0
pwm7							
R/W-0h							

Table 35. LED7_PWM Register Field Descriptions

Bit	Field	Type	Reset	Description
7–0	pwm7	R/W	0h	00h = 0% duty cycle (default) ... 80h = 50% duty cycle ... FFh = 100% duty cycle

8.6.1.21 LED8_PWM Register (Address = 1Eh) [reset = 0h]

LED8_PWM is shown in [Figure 47](#) and described in [Table 36](#).

Return to [Summary Table](#).

LED8 PWM Register

This is the PWM duty cycle control for the LED8 output.

Figure 47. LED8_PWM Register

7	6	5	4	3	2	1	0
pwm8							
R/W-0h							

Table 36. LED8_PWM Register Field Descriptions

Bit	Field	Type	Reset	Description
7–0	pwm8	R/W	0h	00h = 0% duty cycle (default) ... 80h = 50% duty cycle ... FFh = 100% duty cycle

8.6.1.22 LED0_CURRENT Register (Address = 22h) [reset = AFh]

LED0_CURRENT is shown in [Figure 48](#) and described in [Table 37](#).

Return to [Summary Table](#).

LED0 Current Register

LED0 driver output current control register. The resolution is 8 bits, and step size is 100 μ A.

Figure 48. LED0_CURRENT Register

7	6	5	4	3	2	1	0
current0							
R/W-AFh							

Table 37. LED0_CURRENT Register Field Descriptions

Bit	Field	Type	Reset	Description
7–0	current0	R/W	AFh	00h = 0.0 mA 01h = 0.1 mA ... AFh = 17.5 mA (default) ... FFh = 25.5 mA

8.6.1.23 LED1_CURRENT Register (Address = 23h) [reset = AFh]

LED1_CURRENT is shown in [Figure 49](#) and described in [Table 38](#).

Return to [Summary Table](#).

LED1 Current Register

LED1 driver output current control register. The resolution is 8 bits, and step size is 100 μ A.

Figure 49. LED1_CURRENT Register

7	6	5	4	3	2	1	0
current1							
R/W-AFh							

Table 38. LED1_CURRENT Register Field Descriptions

Bit	Field	Type	Reset	Description
7–0	current1	R/W	AFh	00h = 0.0 mA 01h = 0.1 mA ... AFh = 17.5 mA (default) ... FFh = 25.5 mA

8.6.1.24 LED2_CURRENT Register (Address = 24h) [reset = AFh]

LED2_CURRENT is shown in [Figure 50](#) and described in [Table 39](#).

Return to [Summary Table](#).

LED2 Current Register

LED2 driver output current control register. The resolution is 8 bits, and step size is 100 μ A.

Figure 50. LED2_CURRENT Register

7	6	5	4	3	2	1	0
current2							
R/W-AFh							

Table 39. LED2_CURRENT Register Field Descriptions

Bit	Field	Type	Reset	Description
7–0	current2	R/W	AFh	00h = 0.0 mA 01h = 0.1 mA ... AFh = 17.5 mA (default) ... FFh = 25.5 mA

8.6.1.25 LED3_CURRENT Register (Address = 25h) [reset = AFh]

LED3_CURRENT is shown in [Figure 51](#) and described in [Table 40](#).

Return to [Summary Table](#).

LED3 Current Register

LED3 driver output current control register. The resolution is 8 bits, and step size is 100 μ A.

Figure 51. LED3_CURRENT Register

7	6	5	4	3	2	1	0
current3							
R/W-AFh							

Table 40. LED3_CURRENT Register Field Descriptions

Bit	Field	Type	Reset	Description
7–0	current3	R/W	AFh	00h = 0.0 mA 01h = 0.1 mA ... AFh = 17.5 mA (default) ... FFh = 25.5 mA

8.6.1.26 LED4_CURRENT Register (Address = 26h) [reset = AFh]

LED4_CURRENT is shown in [Figure 52](#) and described in [Table 41](#).

Return to [Summary Table](#).

LED4 Current Register

LED4 driver output current control register. The resolution is 8 bits, and step size is 100 μ A.

Figure 52. LED4_CURRENT Register

7	6	5	4	3	2	1	0
current4							
R/W-AFh							

Table 41. LED4_CURRENT Register Field Descriptions

Bit	Field	Type	Reset	Description
7–0	current4	R/W	AFh	00h = 0.0 mA 01h = 0.1 mA ... AFh = 17.5 mA (default) ... FFh = 25.5 mA

8.6.1.27 LED5_CURRENT Register (Address = 27h) [reset = AFh]

LED5_CURRENT is shown in [Figure 53](#) and described in [Table 42](#).

Return to [Summary Table](#).

LED5 Current Register

LED5 driver output current control register. The resolution is 8 bits, and step size is 100 μ A.

Figure 53. LED5_CURRENT Register

7	6	5	4	3	2	1	0
current5							
R/W-AFh							

Table 42. LED5_CURRENT Register Field Descriptions

Bit	Field	Type	Reset	Description
7–0	current5	R/W	AFh	00h = 0.0 mA 01h = 0.1 mA ... AFh = 17.5 mA (default) ... FFh = 25.5 mA

8.6.1.28 LED6_CURRENT Register (Address = 28h) [reset = AFh]

 LED6_CURRENT is shown in [Figure 54](#) and described in [Table 43](#).

 Return to [Summary Table](#).

LED6 Current Register

 LED6 driver output current control register. The resolution is 8 bits, and step size is 100 μ A.

Figure 54. LED6_CURRENT Register

7	6	5	4	3	2	1	0
current6							
R/W-AFh							

Table 43. LED6_CURRENT Register Field Descriptions

Bit	Field	Type	Reset	Description
7–0	current6	R/W	AFh	00h = 0.0 mA 01h = 0.1 mA ... AFh = 17.5 mA (default) ... FFh = 25.5 mA

8.6.1.29 LED7_CURRENT Register (Address = 29h) [reset = AFh]

 LED7_CURRENT is shown in [Figure 55](#) and described in [Table 44](#).

 Return to [Summary Table](#).

LED7 Current Register

 LED7 driver output current control register. The resolution is 8 bits, and step size is 100 μ A.

Figure 55. LED7_CURRENT Register

7	6	5	4	3	2	1	0
current7							
R/W-AFh							

Table 44. LED7_CURRENT Register Field Descriptions

Bit	Field	Type	Reset	Description
7–0	current7	R/W	AFh	00h = 0.0 mA 01h = 0.1 mA ... AFh = 17.5 mA (default) ... FFh = 25.5 mA

8.6.1.30 LED8_CURRENT Register (Address = 2Ah) [reset = AFh]

LED8_CURRENT is shown in [Figure 56](#) and described in [Table 45](#).

Return to [Summary Table](#).

LED8 Current Register

LED8 driver output current control register. The resolution is 8 bits, and step size is 100 μ A.

Figure 56. LED8_CURRENT Register

7	6	5	4	3	2	1	0
current8							
R/W-AFh							

Table 45. LED8_CURRENT Register Field Descriptions

Bit	Field	Type	Reset	Description
7–0	current8	R/W	AFh	00h = 0.0 mA 01h = 0.1 mA ... AFh = 17.5 mA (default) ... FFh = 25.5 mA

8.6.1.31 MISC Register (Address = 2Fh) [reset = 40h]

MISC is shown in [Figure 57](#) and described in [Table 46](#).

Return to [Summary Table](#).

Miscellaneous Register

Figure 57. MISC Register

7	6	5	4	3	2	1	0
RESERVED	en_auto_incr	powersave_en	cp_mode	cp_return_1x	RESERVED	int_clk_en	
R/W-0h	R/W-1h	R/W-0h	R/W-0h	R/W-0h	R/W-0h	R/W-0h	R/W-0h

Table 46. MISC Register Field Descriptions

Bit	Field	Type	Reset	Description
7	RESERVED	R/W	0h	Reserved
6	en_auto_incr	R/W	1h	I ² C address auto-increment enable 0 = Address auto-increment is disabled 1 = Address auto-increment is enabled (default)
5	powersave_en	R/W	0h	Power-save mode enable select 0 = Power-save mode is disabled (default) 1 = Power-save mode is enabled
4–3	cp_mode	R/W	0h	Charge-pump mode selection 00 = Disabled (cp output pulled-down internally, default) 01 = 1 \times mode 10 = 1.5 \times mode 11 = Auto mode
2	cp_return_1x	R/W	0h	Charge-pump return to 1 \times mode select 0 = Charge-pump mode is not affected during shutdown or power-save entry (default) 1 = Charge-pump mode is forced to 1 \times mode during shutdown or power-save entry
1	RESERVED	R/W	0h	Reserved

Table 46. MISC Register Field Descriptions (continued)

Bit	Field	Type	Reset	Description
0	int_clk_en	R/W	0h	Internal 32-kHz clock-enable select 0 = External 32-kHz clock is used from CLK input pin (default) 1 = Internal 32-kHz oscillator is enabled Note: This bit is STATIC and should only be changed when CONFIG.CHIP_EN = 0.

8.6.1.32 ENGINE1_PC Register (Address = 30h) [reset = 0h]

 ENGINE1_PC is shown in [Figure 58](#) and described in [Table 47](#).

 Return to [Summary Table](#).

Engine1 Program Counter Register

Figure 58. ENGINE1_PC Register

7	6	5	4	3	2	1	0
engine1_pc							
R/W-0h							

Table 47. ENGINE1_PC Register Field Descriptions

Bit	Field	Type	Reset	Description
7–0	engine1_pc	R/W	0h	Program counter starting value for program execution engine 1.

8.6.1.33 ENGINE2_PC Register (Address = 31h) [reset = 0h]

 ENGINE2_PC is shown in [Figure 59](#) and described in [Table 48](#).

 Return to [Summary Table](#).

Engine2 Program Counter Register

Figure 59. ENGINE2_PC Register

7	6	5	4	3	2	1	0
engine2_pc							
R/W-0h							

Table 48. ENGINE2_PC Register Field Descriptions

Bit	Field	Type	Reset	Description
7–0	engine2_pc	R/W	0h	Program counter starting value for program execution engine 2.

8.6.1.34 ENGINE3_PC Register (Address = 32h) [reset = 0h]

 ENGINE3_PC is shown in [Figure 60](#) and described in [Table 49](#).

 Return to [Summary Table](#).

Engine3 Program Counter Register

Figure 60. ENGINE3_PC Register

7	6	5	4	3	2	1	0
engine3_pc							
R/W-0h							

Table 49. ENGINE3_PC Register Field Descriptions

Bit	Field	Type	Reset	Description
7–0	engine3_pc	R/W	0h	Program counter starting value for program execution engine 3.

8.6.1.35 MISC2 Register (Address = 33h) [reset = 2h]

MISC2 is shown in [Figure 61](#) and described in [Table 50](#).

Return to [Summary Table](#).

Miscellaneous Register 2

Figure 61. MISC2 Register

7	6	5	4	3	2	1	0
RESERVED			led_short_test	led_open_test	led_headroom		cp_dis_disch
R/W-0h			R/W-0h	R/W-0h	R/W-1h		R/W-0h

Table 50. MISC2 Register Field Descriptions

Bit	Field	Type	Reset	Description
7–5	RESERVED	R/W	0h	Reserved
4	led_short_test	R/W	0h	0 = LED-short test disabled (default) 1 = LED-short test enabled
3	led_open_test	R/W	0h	0 = LED-open test disabled (default) 1 = LED-open test enabled
2–1	led_headroom	R/W	1h	Selectable low-headroom comparator settings: 00 = 200 mV 01 = 250 mV (default) 10 = 300 mV 11 = 250 mV
0	cp_dis_disch	R/W	0h	Charge pump discharge disable. 0 = discharging is enabled in shutdown and standby states, absent of TSD. (default) 1 = discharging is disabled

8.6.1.36 ENGINE_STATUS Register (Address = 3Ch) [reset = 80h]

ENGINE_STATUS is shown in [Figure 62](#) and described in [Table 51](#).

Return to [Summary Table](#).

Engine Status Register

Figure 62. ENGINE_STATUS Register

7	6	5	4	3	2	1	0
mask_busy	startup_busy	engine_busy	RESERVED		ch3_int	ch2_int	ch1_int
R/W-1h	R-0h	R-0h	R-0h		R-0h	R-0h	R-0h

Table 51. ENGINE_STATUS Register Field Descriptions

Bit	Field	Type	Reset	Description
7	mask_busy	R/W	1h	Mask bit for interrupts generated by START-UP_BUSY or ENGINE_BUSY. 0 = External interrupt is generated when START-UP_BUSY or ENGINE_BUSY condition is no longer true. 1 = Interrupt events are masked (no external interrupt generated by START-UP_BUSY or ENGINE_BUSY). Reading register 3Ch clears the status bits and releases the INT pin to the high state.

Table 51. ENGINE_STATUS Register Field Descriptions (continued)

Bit	Field	Type	Reset	Description
6	startup_busy	R	0h	A status bit which indicates that the device is running the internal start-up sequence. 0 = Internal start-up sequence completed. 1 = Internal start-up sequence running
5	engine_busy	R	0h	A status bit which indicates that a program execution engine is clearing internal registers. Serial bus master should not write or read program memory, or registers 30h to 32h or 4Bh to 4Dh, when this bit is set to 1. 0 = All engines ready 1 = At least one of the engines is clearing internal registers.
4–3	RESERVED	R	0h	Reserved
2	ch3_int	R	0h	Engine3 interrupt. 0 = Interrupt cleared 1 = Interrupt set Interrupt is set by the END or INT instruction. Reading the ENGINE_STATUS address clears the interrupt.
1	ch2_int	R	0h	Engine2 interrupt. 0 = Interrupt cleared 1 = Interrupt set Interrupt is set by the END or INT instruction. Reading the ENGINE_STATUS address clears the interrupt.
0	ch1_int	R	0h	Engine1 interrupt. 0 = Interrupt cleared 1 = Interrupt set Interrupt is set by the END or INT instruction. Reading the ENGINE_STATUS address clears the interrupt.

8.6.1.37 IO_CONTROL Register (Address = 3Dh) [reset = 2h]

IO_CONTROL is shown in [Figure 63](#) and described in [Table 52](#).

Return to [Summary Table](#).

I/O Control Register

Figure 63. IO_CONTROL Register

7	6	5	4	3	2	1	0
RESERVED				en_clk_out	gpio_config		gpo
R/W-0h				R/W-0h	R/W-1h		R/W-0h

Table 52. IO_CONTROL Register Field Descriptions

Bit	Field	Type	Reset	Description
7–4	RESERVED	R/W	0h	
3	en_clk_out	R/W	0h	0 = CLK pin is an input (default) 1 = CLK pin is an output driven by the internal 32-kHz oscillator
2–1	gpio_config	R/W	1h	GPIO configuration 00 = Trigger for LED engines 01 = Interrupt from LED engines (default) 10 = GPO register bit controlled by I ² C (output only) 11 = GPO register bit controlled by I ² C (output only)
0	gpo	R/W	0h	GPIO pin control when gpio_config = 10 or 11 0 = GPIO/TRIG/INT pin Low 1 = GPIO/TRIG/INT pin High

8.6.1.38 VARIABLE_D Register (Address = 3Eh) [reset = 0h]

VARIABLE_D is shown in [Figure 64](#) and described in [Table 53](#).

Return to [Summary Table](#).

Variable D Register

Figure 64. VARIABLE_D Register

7	6	5	4	3	2	1	0
variable_d							
R/W-0h							

Table 53. VARIABLE_D Register Field Descriptions

Bit	Field	Type	Reset	Description
7–0	variable_d	R/W	0h	These bits are used for storing a global 8-bit variable. The variable can be used to control program flow.

8.6.1.39 RESET Register (Address = 3Fh) [reset = 0h]

RESET is shown in [Figure 65](#) and described in [Table 54](#).

Return to [Summary Table](#).

Reset Register

Figure 65. RESET Register

7	6	5	4	3	2	1	0
reset							
W-0h							

Table 54. RESET Register Field Descriptions

Bit	Field	Type	Reset	Description
7–0	reset	W	0h	Writing FFh into this register resets the device. Internal registers are reset to the default values. Reading this register returns 0h.

8.6.1.40 ENGINE1_VARIABLE_A Register (Address = 42h) [reset = 0h]

ENGINE1_VARIABLE_A is shown in [Figure 66](#) and described in [Table 55](#).

Return to [Summary Table](#).

Engine1 Variable A Register

Figure 66. ENGINE1_VARIABLE_A Register

7	6	5	4	3	2	1	0
engine1_variable_a							
R/W-0h							

Table 55. ENGINE1_VARIABLE_A Register Field Descriptions

Bit	Field	Type	Reset	Description
7–0	engine1_variable_a	R/W	0h	These bits are used for the engine 1 local variable.

8.6.1.41 ENGINE2_VARIABLE_A Register (Address = 43h) [reset = 0h]

ENGINE2_VARIABLE_A is shown in [Figure 67](#) and described in [Table 56](#).

Return to [Summary Table](#).

Engine2 Variable A

Figure 67. ENGINE2_VARIABLE_A Register

7	6	5	4	3	2	1	0
engine2_variable_a							
R/W-0h							

Table 56. ENGINE2_VARIABLE_A Register Field Descriptions

Bit	Field	Type	Reset	Description
7–0	engine2_variable_a	R/W	0h	These bits are used for the engine 2 local variable.

8.6.1.42 ENGINE3_VARIABLE_A Register (Address = 44h) [reset = 0h]

ENGINE3_VARIABLE_A is shown in [Figure 68](#) and described in [Table 57](#).

Return to [Summary Table](#).

Engine3 Variable A

Figure 68. ENGINE3_VARIABLE_A Register

7	6	5	4	3	2	1	0
engine3_variable_a							
R/W-0h							

Table 57. ENGINE3_VARIABLE_A Register Field Descriptions

Bit	Field	Type	Reset	Description
7–0	engine3_variable_a	R/W	0h	These bits are used for the engine 3 local variable.

8.6.1.43 MASTER_FADER1 Register (Address = 46h) [reset = 0h]

MASTER_FADER1 is shown in [Figure 69](#) and described in [Table 58](#).

Return to [Summary Table](#).

Master Fader1 Register

An 8-bit register to control all the LED outputs mapped to MASTER FADER1. The master fader allows the user to control dimming of multiple LEDs with a single serial bus write.

Figure 69. MASTER_FADER1 Register

7	6	5	4	3	2	1	0
master_fader1							
R/W-0h							

Table 58. MASTER_FADER1 Register Field Descriptions

Bit	Field	Type	Reset	Description
7–0	master_fader1	R/W	0h	Master fader1 is controlled by engine1.

8.6.1.44 MASTER_FADER2 Register (Address = 47h) [reset = 0h]

MASTER_FADER2 is shown in [Figure 70](#) and described in [Table 59](#).

Return to [Summary Table](#).

Master Fader2 Register

An 8-bit register to control all the LED outputs mapped to MASTER FADER2. Master fader allows the user to control dimming of multiple LEDs with a single serial bus write.

Figure 70. MASTER_FADER2 Register

7	6	5	4	3	2	1	0
master_fader2							
R/W-0h							

Table 59. MASTER_FADER2 Register Field Descriptions

Bit	Field	Type	Reset	Description
7–0	master_fader2	R/W	0h	Master fader2 is controlled by engine 2.

8.6.1.45 MASTER_FADER3 Register (Address = 48h) [reset = 0h]

MASTER_FADER3 is shown in [Figure 71](#) and described in [Table 60](#).

Return to [Summary Table](#).

Master Fader3 Register

An 8-bit register to control all the LED outputs mapped to MASTER_FADER2. Master fader allows the user to control dimming of multiple LEDs with a single serial bus write.

Figure 71. MASTER_FADER3 Register

7	6	5	4	3	2	1	0
master_fader3							
R/W-0h							

Table 60. MASTER_FADER3 Register Field Descriptions

Bit	Field	Type	Reset	Description
7–0	master_fader3	R/W	0h	Master fader3 is controlled by engine 3.

8.6.1.46 MASTER_FADER_PWM Register (Address = 4Ah) [reset = 0h]

MASTER_FADER_PWM is shown in [Figure 72](#) and described in [Table 61](#).

Return to [Summary Table](#).

Master Fader PWM Register

Figure 72. MASTER_FADER_PWM Register

7	6	5	4	3	2	1	0
master_fader_pwm							
R-0h							

Table 61. MASTER_FADER_PWM Register Field Descriptions

Bit	Field	Type	Reset	Description
7–0	master_fader_pwm	R	0h	PWM input duty cycle. See Figure 14 .

8.6.1.47 ENGINE1_PROG_START Register (Address = 4Bh) [reset = 0h]

ENGINE1_PROG_START is shown in [Figure 73](#) and described in [Table 62](#).

Return to [Summary Table](#).

Engine1 Program Start Register

Figure 73. ENGINE1_PROG_START Register

7	6	5	4	3	2	1	0
prog_start_addr1							
R/W-0h							

Table 62. ENGINE1_PROG_START Register Field Descriptions

Bit	Field	Type	Reset	Description
7–0	prog_start_addr1	R/W	0h	Engine 1 program start address.

8.6.1.48 ENGINE2_PROG_START Register (Address = 4Ch) [reset = 0h]

 ENGINE2_PROG_START is shown in [Figure 74](#) and described in [Table 63](#).

 Return to [Summary Table](#).

Engine2 Program Start Register

Figure 74. ENGINE2_PROG_START Register

7	6	5	4	3	2	1	0
prog_start_addr2							
R/W-0h							

Table 63. ENGINE2_PROG_START Register Field Descriptions

Bit	Field	Type	Reset	Description
7–0	prog_start_addr2	R/W	0h	Engine 2 program start address.

8.6.1.49 ENGINE3_PROG_START Register (Address = 4Dh) [reset = 0h]

 ENGINE3_PROG_START is shown in [Figure 75](#) and described in [Table 64](#).

 Return to [Summary Table](#).

Engine3 Program Start Register

Figure 75. ENGINE3_PROG_START Register

7	6	5	4	3	2	1	0
prog_start_addr3							
R/W-0h							

Table 64. ENGINE3_PROG_START Register Field Descriptions

Bit	Field	Type	Reset	Description
7–0	prog_start_addr3	R/W	0h	Engine 3 program start address.

8.6.1.50 PROG_MEM_PAGE_SELECT Register (Address = 4Fh) [reset = 0h]

 PROG_MEM_PAGE_SELECT is shown in [Figure 76](#) and described in [Table 65](#).

 Return to [Summary Table](#).

Program Memory-Page Selection Register

SRAM page select. SRAM is 256 × 16 addressable from I²C, and is viewed as 16 pages of 32 bytes. This register selects which page is being accessed, serving as the upper bits of the SRAM address. The I²C host must write this register during the course of loading SRAM contents in order to access the next page.

Figure 76. PROG_MEM_PAGE_SELECT Register

7	6	5	4	3	2	1	0
RESERVED				page_sel			
R/W-0h				R/W-0h			

Table 65. PROG_MEM_PAGE_SELECT Register Field Descriptions

Bit	Field	Type	Reset	Description
7–4	RESERVED	R/W	0h	
3–0	page_sel	R/W	0h	0000 = page 0 (lowest 32 bytes) 0001 = page 1 (bytes 32–63) ... 1111 = page 15 (highest 32 bytes)

8.6.1.51 PROGRAM_MEM_00 Register (Address = 50h) [reset = 0h]

PROGRAM_MEM_00 is shown in [Figure 77](#) and described in [Table 66](#).

Return to [Summary Table](#).

Program Memory 00 Register

Figure 77. PROGRAM_MEM_00 Register

7	6	5	4	3	2	1	0
cmd00_msb							
R/W-0h							

Table 66. PROGRAM_MEM_00 Register Field Descriptions

Bit	Field	Type	Reset	Description
7–0	cmd00_msb	R/W	0h	Program memory data]

8.6.1.52 PROGRAM_MEM_01 Register (Address = 51h) [reset = 0h]

PROGRAM_MEM_01 is shown in [Figure 78](#) and described in [Table 67](#).

Return to [Summary Table](#).

Program Memory 01 Register

Figure 78. PROGRAM_MEM_01 Register

7	6	5	4	3	2	1	0
cmd00_lsb							
R/W-0h							

Table 67. PROGRAM_MEM_01 Register Field Descriptions

Bit	Field	Type	Reset	Description
7–0	cmd00_lsb	R/W	0h	Program memory data

8.6.1.53 PROGRAM_MEM_02 Register (Address = 52h) [reset = 0h]

PROGRAM_MEM_02 is shown in [Figure 79](#) and described in [Table 68](#).

Return to [Summary Table](#).

Program Memory 02 Register

Figure 79. PROGRAM_MEM_02 Register

7	6	5	4	3	2	1	0
cmd01_msb							
R/W-0h							

Table 68. PROGRAM_MEM_02 Register Field Descriptions

Bit	Field	Type	Reset	Description
7–0	cmd01_msb	R/W	0h	Program memory data

8.6.1.54 PROGRAM_MEM_03 Register (Address = 53h) [reset = 0h]

 PROGRAM_MEM_03 is shown in [Figure 80](#) and described in [Table 69](#).

 Return to [Summary Table](#).

Program Memory 03 Register

Figure 80. PROGRAM_MEM_03 Register

7	6	5	4	3	2	1	0
cmd01_lsb							
R/W-0h							

Table 69. PROGRAM_MEM_03 Register Field Descriptions

Bit	Field	Type	Reset	Description
7–0	cmd01_lsb	R/W	0h	Program memory data

8.6.1.55 PROGRAM_MEM_04 Register (Address = 54h) [reset = 0h]

 PROGRAM_MEM_04 is shown in [Figure 81](#) and described in [Table 70](#).

 Return to [Summary Table](#).

Program Memory 04 Register

Figure 81. PROGRAM_MEM_04 Register

7	6	5	4	3	2	1	0
cmd02_msb							
R/W-0h							

Table 70. PROGRAM_MEM_04 Register Field Descriptions

Bit	Field	Type	Reset	Description
7–0	cmd02_msb	R/W	0h	Program memory data

8.6.1.56 PROGRAM_MEM_05 Register (Address = 55h) [reset = 0h]

 PROGRAM_MEM_05 is shown in [Figure 82](#) and described in [Table 71](#).

 Return to [Summary Table](#).

Program Memory 05 Register

Figure 82. PROGRAM_MEM_05 Register

7	6	5	4	3	2	1	0
cmd02_lsb							
R/W-0h							

Table 71. PROGRAM_MEM_05 Register Field Descriptions

Bit	Field	Type	Reset	Description
7–0	cmd02_lsb	R/W	0h	Program memory data

8.6.1.57 PROGRAM_MEM_06 Register (Address = 56h) [reset = 0h]

 PROGRAM_MEM_06 is shown in [Figure 83](#) and described in [Table 72](#).

 Return to [Summary Table](#).

Program Memory 06 Register

Figure 83. PROGRAM_MEM_06 Register

7	6	5	4	3	2	1	0
cmd03_msb							
R/W-0h							

Table 72. PROGRAM_MEM_06 Register Field Descriptions

Bit	Field	Type	Reset	Description
7–0	cmd03_msb	R/W	0h	Program memory data

8.6.1.58 PROGRAM_MEM_07 Register (Address = 57h) [reset = 0h]

 PROGRAM_MEM_07 is shown in [Figure 84](#) and described in [Table 73](#).

 Return to [Summary Table](#).

Program Memory 07 Register

Figure 84. PROGRAM_MEM_07 Register

7	6	5	4	3	2	1	0
cmd03_lsb							
R/W-0h							

Table 73. PROGRAM_MEM_07 Register Field Descriptions

Bit	Field	Type	Reset	Description
7–0	cmd03_lsb	R/W	0h	Program memory data

8.6.1.59 PROGRAM_MEM_08 Register (Address = 58h) [reset = 0h]

 PROGRAM_MEM_08 is shown in [Figure 85](#) and described in [Table 74](#).

 Return to [Summary Table](#).

Program Memory 08 Register

Figure 85. PROGRAM_MEM_08 Register

7	6	5	4	3	2	1	0
cmd04_msb							
R/W-0h							

Table 74. PROGRAM_MEM_08 Register Field Descriptions

Bit	Field	Type	Reset	Description
7–0	cmd04_msb	R/W	0h	Program memory data

8.6.1.60 PROGRAM_MEM_09 Register (Address = 59h) [reset = 0h]

 PROGRAM_MEM_09 is shown in [Figure 86](#) and described in [Table 75](#).

 Return to [Summary Table](#).

Program Memory 09 Register

Figure 86. PROGRAM_MEM_09 Register

7	6	5	4	3	2	1	0
cmd04_lsb							
R/W-0h							

Table 75. PROGRAM_MEM_09 Register Field Descriptions

Bit	Field	Type	Reset	Description
7–0	cmd04_lsb	R/W	0h	Program memory data

8.6.1.61 PROGRAM_MEM_10 Register (Address = 5Ah) [reset = 0h]

 PROGRAM_MEM_10 is shown in [Figure 87](#) and described in [Table 76](#).

 Return to [Summary Table](#).

Program Memory 10 Register

Figure 87. PROGRAM_MEM_10 Register

7	6	5	4	3	2	1	0
cmd05_msb							
R/W-0h							

Table 76. PROGRAM_MEM_10 Register Field Descriptions

Bit	Field	Type	Reset	Description
7–0	cmd05_msb	R/W	0h	Program memory data

8.6.1.62 PROGRAM_MEM_11 Register (Address = 5Bh) [reset = 0h]

 PROGRAM_MEM_11 is shown in [Figure 88](#) and described in [Table 77](#).

 Return to [Summary Table](#).

Program Memory 11 Register

Figure 88. PROGRAM_MEM_11 Register

7	6	5	4	3	2	1	0
cmd05_lsb							
R/W-0h							

Table 77. PROGRAM_MEM_11 Register Field Descriptions

Bit	Field	Type	Reset	Description
7–0	cmd05_lsb	R/W	0h	Program memory data

8.6.1.63 PROGRAM_MEM_12 Register (Address = 5Ch) [reset = 0h]

 PROGRAM_MEM_12 is shown in [Figure 89](#) and described in [Table 78](#).

 Return to [Summary Table](#).

Program Memory 12 Register

Figure 89. PROGRAM_MEM_12 Register

7	6	5	4	3	2	1	0
cmd06_msb							
R/W-0h							

Table 78. PROGRAM_MEM_12 Register Field Descriptions

Bit	Field	Type	Reset	Description
7–0	cmd06_msb	R/W	0h	Program memory data

8.6.1.64 PROGRAM_MEM_13 Register (Address = 5Dh) [reset = 0h]

PROGRAM_MEM_13 is shown in [Figure 90](#) and described in [Table 79](#).

Return to [Summary Table](#).

Program Memory 13 Register

Figure 90. PROGRAM_MEM_13 Register

7	6	5	4	3	2	1	0
cmd06_lsb							
R/W-0h							

Table 79. PROGRAM_MEM_13 Register Field Descriptions

Bit	Field	Type	Reset	Description
7–0	cmd06_lsb	R/W	0h	Program memory data

8.6.1.65 PROGRAM_MEM_14 Register (Address = 5Eh) [reset = 0h]

PROGRAM_MEM_14 is shown in [Figure 91](#) and described in [Table 80](#).

Return to [Summary Table](#).

Program Memory 14 Register

Figure 91. PROGRAM_MEM_14 Register

7	6	5	4	3	2	1	0
cmd07_msb							
R/W-0h							

Table 80. PROGRAM_MEM_14 Register Field Descriptions

Bit	Field	Type	Reset	Description
7–0	cmd07_msb	R/W	0h	Program memory data

8.6.1.66 PROGRAM_MEM_15 Register (Address = 5Fh) [reset = 0h]

PROGRAM_MEM_15 is shown in [Figure 92](#) and described in [Table 81](#).

Return to [Summary Table](#).

Program Memory 15 Register

Figure 92. PROGRAM_MEM_15 Register

7	6	5	4	3	2	1	0
cmd07_lsb							
R/W-0h							

Table 81. PROGRAM_MEM_15 Register Field Descriptions

Bit	Field	Type	Reset	Description
7–0	cmd07_lsb	R/W	0h	Program memory data

8.6.1.67 PROGRAM_MEM_16 Register (Address = 60h) [reset = 0h]

 PROGRAM_MEM_16 is shown in [Figure 93](#) and described in [Table 82](#).

 Return to [Summary Table](#).

Program Memory 16 Register

Figure 93. PROGRAM_MEM_16 Register

7	6	5	4	3	2	1	0
cmd08_msb							
R/W-0h							

Table 82. PROGRAM_MEM_16 Register Field Descriptions

Bit	Field	Type	Reset	Description
7–0	cmd08_msb	R/W	0h	Program memory data

8.6.1.68 PROGRAM_MEM_17 Register (Address = 61h) [reset = 0h]

 PROGRAM_MEM_17 is shown in [Figure 94](#) and described in [Table 83](#).

 Return to [Summary Table](#).

Program Memory 17 Register

Figure 94. PROGRAM_MEM_17 Register

7	6	5	4	3	2	1	0
cmd08_lsb							
R/W-0h							

Table 83. PROGRAM_MEM_17 Register Field Descriptions

Bit	Field	Type	Reset	Description
7–0	cmd08_lsb	R/W	0h	Program memory data

8.6.1.69 PROGRAM_MEM_18 Register (Address = 62h) [reset = 0h]

 PROGRAM_MEM_18 is shown in [Figure 95](#) and described in [Table 84](#).

 Return to [Summary Table](#).

Program Memory 18 Register

Figure 95. PROGRAM_MEM_18 Register

7	6	5	4	3	2	1	0
cmd09_msb							
R/W-0h							

Table 84. PROGRAM_MEM_18 Register Field Descriptions

Bit	Field	Type	Reset	Description
7–0	cmd09_msb	R/W	0h	Program memory data

8.6.1.70 PROGRAM_MEM_19 Register (Address = 63h) [reset = 0h]

 PROGRAM_MEM_19 is shown in [Figure 96](#) and described in [Table 85](#).

 Return to [Summary Table](#).

Program Memory 19 Register

Figure 96. PROGRAM_MEM_19 Register

7	6	5	4	3	2	1	0
cmd09_lsb							
R/W-0h							

Table 85. PROGRAM_MEM_19 Register Field Descriptions

Bit	Field	Type	Reset	Description
7–0	cmd09_lsb	R/W	0h	Program memory data

8.6.1.71 PROGRAM_MEM_20 Register (Address = 64h) [reset = 0h]

PROGRAM_MEM_20 is shown in [Figure 97](#) and described in [Table 86](#).

Return to [Summary Table](#).

Program Memory 20 Register

Figure 97. PROGRAM_MEM_20 Register

7	6	5	4	3	2	1	0
cmd10_msb							
R/W-0h							

Table 86. PROGRAM_MEM_20 Register Field Descriptions

Bit	Field	Type	Reset	Description
7–0	cmd10_msb	R/W	0h	Program memory data

8.6.1.72 PROGRAM_MEM_21 Register (Address = 65h) [reset = 0h]

PROGRAM_MEM_21 is shown in [Figure 98](#) and described in [Table 87](#).

Return to [Summary Table](#).

Program Memory 21 Register

Figure 98. PROGRAM_MEM_21 Register

7	6	5	4	3	2	1	0
cmd10_lsb							
R/W-0h							

Table 87. PROGRAM_MEM_21 Register Field Descriptions

Bit	Field	Type	Reset	Description
7–0	cmd10_lsb	R/W	0h	Program memory data

8.6.1.73 PROGRAM_MEM_22 Register (Address = 66h) [reset = 0h]

PROGRAM_MEM_22 is shown in [Figure 99](#) and described in [Table 88](#).

Return to [Summary Table](#).

Program Memory 22 Register

Figure 99. PROGRAM_MEM_22 Register

7	6	5	4	3	2	1	0
cmd11_msb							
R/W-0h							

Table 88. PROGRAM_MEM_22 Register Field Descriptions

Bit	Field	Type	Reset	Description
7–0	cmd11_msb	R/W	0h	Program memory data

8.6.1.74 PROGRAM_MEM_23 Register (Address = 67h) [reset = 0h]

 PROGRAM_MEM_23 is shown in [Figure 100](#) and described in [Table 89](#).

 Return to [Summary Table](#).

Program Memory 23 Register

Figure 100. PROGRAM_MEM_23 Register

7	6	5	4	3	2	1	0
cmd11_lsb							
R/W-0h							

Table 89. PROGRAM_MEM_23 Register Field Descriptions

Bit	Field	Type	Reset	Description
7–0	cmd11_lsb	R/W	0h	Program memory data

8.6.1.75 PROGRAM_MEM_24 Register (Address = 68h) [reset = 0h]

 PROGRAM_MEM_24 is shown in [Figure 101](#) and described in [Table 90](#).

 Return to [Summary Table](#).

Program Memory 24 Register

Figure 101. PROGRAM_MEM_24 Register

7	6	5	4	3	2	1	0
cmd12_msb							
R/W-0h							

Table 90. PROGRAM_MEM_24 Register Field Descriptions

Bit	Field	Type	Reset	Description
7–0	cmd12_msb	R/W	0h	Program memory data

8.6.1.76 PROGRAM_MEM_25 Register (Address = 69h) [reset = 0h]

 PROGRAM_MEM_25 is shown in [Figure 102](#) and described in [Table 91](#).

 Return to [Summary Table](#).

Program Memory 25 Register

Figure 102. PROGRAM_MEM_25 Register

7	6	5	4	3	2	1	0
cmd12_lsb							
R/W-0h							

Table 91. PROGRAM_MEM_25 Register Field Descriptions

Bit	Field	Type	Reset	Description
7–0	cmd12_lsb	R/W	0h	Program memory data

8.6.1.77 PROGRAM_MEM_26 Register (Address = 6Ah) [reset = 0h]

PROGRAM_MEM_26 is shown in Figure 103 and described in Table 92.

Return to [Summary Table](#).

Program Memory 26 Register

Figure 103. PROGRAM_MEM_26 Register

7	6	5	4	3	2	1	0
cmd13_msb							
R/W-0h							

Table 92. PROGRAM_MEM_26 Register Field Descriptions

Bit	Field	Type	Reset	Description
7–0	cmd13_msb	R/W	0h	Program memory data

8.6.1.78 PROGRAM_MEM_27 Register (Address = 6Bh) [reset = 0h]

PROGRAM_MEM_27 is shown in Figure 104 and described in Table 93.

Return to [Summary Table](#).

Program Memory 27 Register

Figure 104. PROGRAM_MEM_27 Register

7	6	5	4	3	2	1	0
cmd13_lsb							
R/W-0h							

Table 93. PROGRAM_MEM_27 Register Field Descriptions

Bit	Field	Type	Reset	Description
7–0	cmd13_lsb	R/W	0h	Program memory data

8.6.1.79 PROGRAM_MEM_28 Register (Address = 6Ch) [reset = 0h]

PROGRAM_MEM_28 is shown in Figure 105 and described in Table 94.

Return to [Summary Table](#).

Program Memory 28 Register

Figure 105. PROGRAM_MEM_28 Register

7	6	5	4	3	2	1	0
cmd14_msb							
R/W-0h							

Table 94. PROGRAM_MEM_28 Register Field Descriptions

Bit	Field	Type	Reset	Description
7–0	cmd14_msb	R/W	0h	Program memory data

8.6.1.80 PROGRAM_MEM_29 Register (Address = 6Dh) [reset = 0h]

PROGRAM_MEM_29 is shown in Figure 106 and described in Table 95.

Return to [Summary Table](#).

Program Memory 29 Register

Figure 106. PROGRAM_MEM_29 Register

7	6	5	4	3	2	1	0
cmd14_lsb							
R/W-0h							

Table 95. PROGRAM_MEM_29 Register Field Descriptions

Bit	Field	Type	Reset	Description
7–0	cmd14_lsb	R/W	0h	Program memory data

8.6.1.81 PROGRAM_MEM_30 Register (Address = 6Eh) [reset = 0h]

PROGRAM_MEM_30 is shown in [Figure 107](#) and described in [Table 96](#).

Return to [Summary Table](#).

Program Memory 30 Register

Figure 107. PROGRAM_MEM_30 Register

7	6	5	4	3	2	1	0
cmd15_msb							
R/W-0h							

Table 96. PROGRAM_MEM_30 Register Field Descriptions

Bit	Field	Type	Reset	Description
7–0	cmd15_msb	R/W	0h	Program memory data

8.6.1.82 PROGRAM_MEM_31 Register (Address = 6Fh) [reset = 0h]

PROGRAM_MEM_31 is shown in [Figure 108](#) and described in [Table 97](#).

Return to [Summary Table](#).

Program Memory 31 Register

Figure 108. PROGRAM_MEM_31 Register

7	6	5	4	3	2	1	0
cmd15_lsb							
R/W-0h							

Table 97. PROGRAM_MEM_31 Register Field Descriptions

Bit	Field	Type	Reset	Description
7–0	cmd15_lsb	R/W	0h	Program memory data

8.6.1.83 ENGINE1_MAPPING1 Register (Address = 70h) [reset = 0h]

ENGINE1_MAPPING1 is shown in [Figure 109](#) and described in [Table 98](#).

Return to [Summary Table](#).

Engine1 Mapping1 Register

Figure 109. ENGINE1_MAPPING1 Register

7	6	5	4	3	2	1	0
RESERVED						eng1_map_ma ster_fader1	eng1_map_led 8
R-0h						R-0h	R-0h

Table 98. ENGINE1_MAPPING1 Register Field Descriptions

Bit	Field	Type	Reset	Description
7–2	RESERVED	R	0h	
1	eng1_map_master_fader1	R	0h	0 = Program execution engine 1 master fader disabled. 1 = Program execution engine 1 master fader enabled.
0	eng1_map_led8	R	0h	0 = LED8 is not mapped to the program execution engine 1. 1 = LED8 is mapped to the program execution engine 1.

8.6.1.84 ENGINE1_MAPPING2 Register (Address = 71h) [reset = 0h]

ENGINE1_MAPPING2 is shown in [Figure 110](#) and described in [Table 99](#).

Return to [Summary Table](#).

Engine1 Mapping2 Register

Figure 110. ENGINE1_MAPPING2 Register

7	6	5	4	3	2	1	0
eng1_map_led7	eng1_map_led6	eng1_map_led5	eng1_map_led4	eng1_map_led3	eng1_map_led2	eng1_map_led1	eng1_map_led0
R-0h	R-0h	R-0h	R-0h	R-0h	R-0h	R-0h	R-0h

Table 99. ENGINE1_MAPPING2 Register Field Descriptions

Bit	Field	Type	Reset	Description
7	eng1_map_led7	R	0h	0 = LED7 is not mapped to program execution engine 1. 1 = LED7 is mapped to program execution engine 1.
6	eng1_map_led6	R	0h	0 = LED6 is not mapped to program execution engine 1. 1 = LED6 is mapped to program execution engine 1.
5	eng1_map_led5	R	0h	0 = LED5 is not mapped to program execution engine 1. 1 = LED5 is mapped to program execution engine 1.
4	eng1_map_led4	R	0h	0 = LED4 is not mapped to program execution engine 1. 1 = LED4 is mapped to program execution engine 1.
3	eng1_map_led3	R	0h	0 = LED3 is not mapped to program execution engine 1. 1 = LED3 is mapped to program execution engine 1.
2	eng1_map_led2	R	0h	0 = LED2 is not mapped to program execution engine 1. 1 = LED2 is mapped to program execution engine 1.
1	eng1_map_led1	R	0h	0 = LED1 is not mapped to program execution engine 1. 1 = LED1 is mapped to program execution engine 1.
0	eng1_map_led0	R	0h	0 = LED0 is not mapped to program execution engine 1. 1 = LED0 is mapped to program execution engine 1.

8.6.1.85 ENGINE2_MAPPING1 Register (Address = 72h) [reset = 0h]

ENGINE2_MAPPING1 is shown in [Figure 111](#) and described in [Table 100](#).

Return to [Summary Table](#).

Engine2 Mapping1 Register

Figure 111. ENGINE2_MAPPING1 Register

7	6	5	4	3	2	1	0
RESERVED						eng2_map_master_fader2	eng2_map_led8
R-0h						R-0h	R-0h

Table 100. ENGINE2_MAPPING1 Register Field Descriptions

Bit	Field	Type	Reset	Description
7–2	RESERVED	R	0h	
1	eng2_map_master_fader2	R	0h	0 = Program execution engine 2 master fader disabled. 1 = Program execution engine 2 master fader enabled.
0	eng2_map_led8	R	0h	0 = LED8 is not mapped to the program execution engine 2. 1 = LED8 is mapped to the program execution engine 2.

8.6.1.86 ENGINE2_MAPPING2 Register (Address = 73h) [reset = 0h]

 ENGINE2_MAPPING2 is shown in [Figure 112](#) and described in [Table 101](#).

 Return to [Summary Table](#).

Engine2 Mapping2 Register

Figure 112. ENGINE2_MAPPING2 Register

7	6	5	4	3	2	1	0
eng2_map_led7	eng2_map_led6	eng2_map_led5	eng2_map_led4	eng2_map_led3	eng2_map_led2	eng2_map_led1	eng2_map_led0
R-0h	R-0h	R-0h	R-0h	R-0h	R-0h	R-0h	R-0h

Table 101. ENGINE2_MAPPING2 Register Field Descriptions

Bit	Field	Type	Reset	Description
7	eng2_map_led7	R	0h	0 = LED7 is not mapped to program execution engine 2. 1 = LED7 is mapped to program execution engine 2.
6	eng2_map_led6	R	0h	0 = LED6 is not mapped to program execution engine 2. 1 = LED6 is mapped to program execution engine 2.
5	eng2_map_led5	R	0h	0 = LED5 is not mapped to program execution engine 2. 1 = LED5 is mapped to program execution engine 2.
4	eng2_map_led4	R	0h	0 = LED4 is not mapped to program execution engine 2. 1 = LED4 is mapped to program execution engine 2.
3	eng2_map_led3	R	0h	0 = LED3 is not mapped to program execution engine 2. 1 = LED3 is mapped to program execution engine 2.
2	eng2_map_led2	R	0h	0 = LED2 is not mapped to program execution engine 2. 1 = LED2 is mapped to program execution engine 2.
1	eng2_map_led1	R	0h	0 = LED1 is not mapped to program execution engine 2. 1 = LED1 is mapped to program execution engine 2.
0	eng2_map_led0	R	0h	0 = LED0 is not mapped to program execution engine 2. 1 = LED0 is mapped to program execution engine 2.

8.6.1.87 ENGINE3_MAPPING1 Register (Address = 74h) [reset = 0h]

 ENGINE3_MAPPING1 is shown in [Figure 113](#) and described in [Table 102](#).

 Return to [Summary Table](#).

Engine3 Mapping1 Register

Figure 113. ENGINE3_MAPPING1 Register

7	6	5	4	3	2	1	0
RESERVED						eng3_map_ma ster_fader3	eng3_map_led 8
R-0h						R-0h	R-0h

Table 102. ENGINE3_MAPPING1 Register Field Descriptions

Bit	Field	Type	Reset	Description
7–2	RESERVED	R	0h	
1	eng3_map_master_fader3	R	0h	0 = Program execution engine 3 master fader disabled. 1 = Program execution engine 3 master fader enabled.
0	eng3_map_led8	R	0h	0 = LED8 is not mapped to the program execution engine 3. 1 = LED8 is mapped to the program execution engine 3.

8.6.1.88 ENGINE3_MAPPING2 Register (Address = 75h) [reset = 0h]

ENGINE3_MAPPING2 is shown in [Figure 114](#) and described in [Table 103](#).

Return to [Summary Table](#).

Engine3 Mapping2 Register

Figure 114. ENGINE3_MAPPING2 Register

7	6	5	4	3	2	1	0
eng3_map_led7	eng3_map_led6	eng3_map_led5	eng3_map_led4	eng3_map_led3	eng3_map_led2	eng3_map_led1	eng3_map_led0
R-0h	R-0h	R-0h	R-0h	R-0h	R-0h	R-0h	R-0h

Table 103. ENGINE3_MAPPING2 Register Field Descriptions

Bit	Field	Type	Reset	Description
7	eng3_map_led7	R	0h	0 = LED7 is not mapped to program execution engine 3. 1 = LED7 is mapped to program execution engine 3.
6	eng3_map_led6	R	0h	0 = LED6 is not mapped to program execution engine 3. 1 = LED6 is mapped to program execution engine 3.
5	eng3_map_led5	R	0h	0 = LED5 is not mapped to program execution engine 3. 1 = LED5 is mapped to program execution engine 3.
4	eng3_map_led4	R	0h	0 = LED4 is not mapped to program execution engine 3. 1 = LED4 is mapped to program execution engine 3.
3	eng3_map_led3	R	0h	0 = LED3 is not mapped to program execution engine 3. 1 = LED3 is mapped to program execution engine 3.
2	eng3_map_led2	R	0h	0 = LED2 is not mapped to program execution engine 3. 1 = LED2 is mapped to program execution engine 3.
1	eng3_map_led1	R	0h	0 = LED1 is not mapped to program execution engine 3. 1 = LED1 is mapped to program execution engine 3.
0	eng3_map_led0	R	0h	0 = LED0 is not mapped to program execution engine 3. 1 = LED0 is mapped to program execution engine 3.

8.6.1.89 PWM_CONFIG Register (Address = 80h) [reset = 4h]

PWM_CONFIG is shown in [Figure 115](#) and described in [Table 104](#).

Return to [Summary Table](#).

PWM Configuration Register

Figure 115. PWM_CONFIG Register

7	6	5	4	3	2	1	0
pwm_min_pulse_width	RESERVED			pwm_input_edg_e_sel	pwm_input_hysteresis		
R/W-0h	R/W-0h			R/W-0h	R/W-4h		

Table 104. PWM_CONFIG Register Field Descriptions

Bit	Field	Type	Reset	Description
7–6	pwm_min_pulse_width	R/W	0h	Minimum output PWM pulse duration allowed. Applies to all PWM outputs. 00 = Minimum PWM pulse duration = 1 clk period (100 ns, default) 01 = Minimum PWM pulse duration = 2 clk periods (200 ns) 10 = Minimum PWM pulse duration = 3 clk periods (300 ns) 11 = Minimum PWM pulse duration = 4 clk periods (400 ns)
5–4	RESERVED	R/W	0h	
3	pwm_input_edge_sel	R/W	0h	PWM input period measurement select. 0h = PWM period is measured from rising edge to rising edge. (default) 1h = PWM period is measured from falling edge to falling edge.
2–0	pwm_input_hysteresis	R/W	4h	PWM input hysteresis select 0h = No hysteresis 1h = 1 LSB 2h = 2 LSBs 3h = 3 LSBs 4h = 4 LSBs (default) 5h = 5 LSBs 6h = 6 LSBs 7h = 7 LSBs

8.6.1.90 LED_FAULT1 Register (Address = 81h) [reset = 0h]

 LED_FAULT1 is shown in [Figure 116](#) and described in [Table 105](#).

 Return to [Summary Table](#).

LED Fault 1 Register

Figure 116. LED_FAULT1 Register

7	6	5	4	3	2	1	0
RESERVED							led_fault8
R-0h							R-0h

Table 105. LED_FAULT1 Register Field Descriptions

Bit	Field	Type	Reset	Description
7–1	RESERVED	R	0h	
0	led_fault8	R	0h	LED fault status for LED8

8.6.1.91 LED_FAULT2 Register (Address = 82h) [reset = 0h]

 LED_FAULT2 is shown in [Figure 117](#) and described in [Table 106](#).

 Return to [Summary Table](#).

LED Fault 2 Register

Figure 117. LED_FAULT2 Register

7	6	5	4	3	2	1	0
led_fault_7	led_fault_6	led_fault_5	led_fault_4	led_fault_3	led_fault_2	led_fault_1	led_fault_0
R-0h	R-0h	R-0h	R-0h	R-0h	R-0h	R-0h	R-0h

Table 106. LED_FAULT2 Register Field Descriptions

Bit	Field	Type	Reset	Description
7	led_fault_7	R	0h	LED fault status for LED7
6	led_fault_6	R	0h	LED fault status for LED6
5	led_fault_5	R	0h	LED fault status for LED5
4	led_fault_4	R	0h	LED fault status for LED4
3	led_fault_3	R	0h	LED fault status for LED3
2	led_fault_2	R	0h	LED fault status for LED2
1	led_fault_1	R	0h	LED fault status for LED1
0	led_fault_0	R	0h	LED fault status for LED0

8.6.1.92 GENERAL_FAULT Register (Address = 83h) [reset = 4h]

GENERAL_FAULT is shown in [Figure 118](#) and described in [Table 107](#).

Return to [Summary Table](#).

General Fault Register

Figure 118. GENERAL_FAULT Register

7	6	5	4	3	2	1	0
RESERVED					cp_cap_missin g	vdd_uvlo	tsd
R-0h					R-1h	R-0h	R-0h

Table 107. GENERAL_FAULT Register Field Descriptions

Bit	Field	Type	Reset	Description
7–3	RESERVED	R	0h	
2	cp_cap_missing	R	1h	0 = CP capacitor detected 1 = CP capacitor missing or CP disabled
1	vdd_uvlo	R	0h	0 = No UVLO fault 1 = UVLO fault
0	tsd	R	0h	0 = No TSD fault 1 = TSD fault

9 Application and Implementation

NOTE

Information in the following applications sections is not part of the TI component specification, and TI does not warrant its accuracy or completeness. TI's customers are responsible for determining suitability of components for their purposes. Customers should validate and test their design implementation to confirm system functionality.

9.1 Application Information

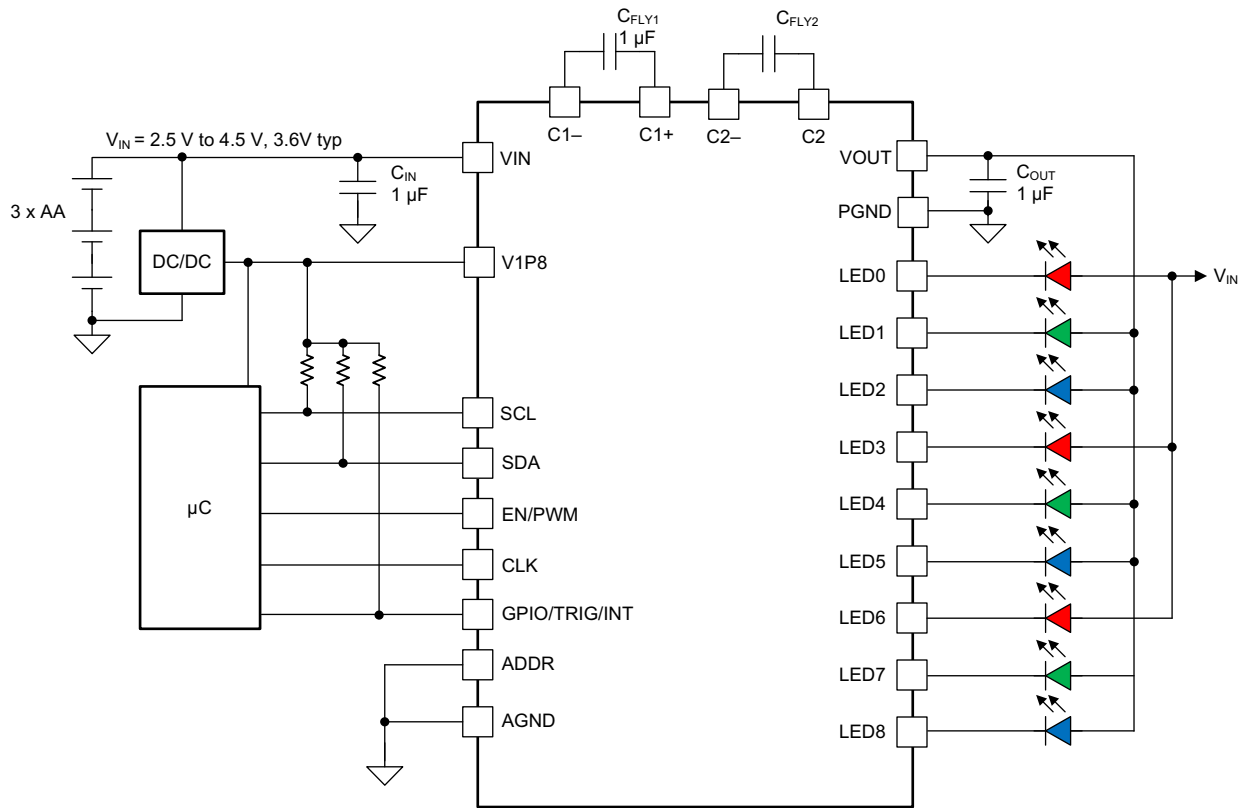
The LP5569 device is designed as an autonomous lighting controller for handheld devices. In these devices, extremely small form factor is needed; therefore, the LP5569 device is designed to require only four small capacitors: input and output, as well as flying capacitor 1 and flying capacitor 2 for the charge pump. If the system has other LED input voltages available, and the charge pump is not needed in the application, the charge-pump capacitors can be omitted, thus reducing the solution even further. The device can drive RGB LEDs or discrete LEDs of any color if desired.

9.2 Typical Applications

9.2.1 Single LP5569 Application

[Figure 119](#) shows an example of a typical application that uses a charge pump to get high-enough voltage to drive green and blue LEDs. Red LEDs are powered from V_{VIN} for reduced power consumption. The device, with a voltage range of 2.5 V to 4.5 V, is powered from three AA batteries, typically 3.6 V with 1.2-V cell voltage. [Design Requirements](#) shows related design parameters for this example. In this example, input voltage with AA batteries is typically over 3.6 V (cell voltage >1.2 V) for half of the battery lifetime. During this time the charge pump operates in 1x mode, as the input voltage is enough for the green and blue LEDs. As the battery voltage continues to decrease, the LP5569 device detects that the LED headroom voltage is too low and automatically configures the charge pump to the 1.5x mode. In 1.5x mode, the LEDs can be powered with V_{IN} down to 2.5 V, where the batteries are almost empty.

Typical Applications (continued)



Copyright © 2017, Texas Instruments Incorporated

Figure 119. LP5569 Typical Application

9.2.1.1 Design Requirements

DESIGN PARAMETER	EXAMPLE VALUE
Input voltage range	2.5 V to 5.5 V
LED V_F (maximum)	3.2 V
LED current	25.5 mA maximum
Input capacitor	$C_{IN} = 1 \mu F$
Output capacitor	$C_{OUT} = 1 \mu F$
Charge pump flying capacitors	$C_{FLY1} = C_{FLY2} = 1 \mu F$
Charge-pump mode	1.5x or automatic

9.2.1.2 Detailed Design Procedure

The LP5569 device requires four external capacitors for proper operation. TI recommends surface-mount multi-layer ceramic capacitors. Tantalum and aluminum capacitors are not recommended because of their high ESR. Multi-layer ceramic capacitors must always be used for the flying capacitors (C_{FLY1} and C_{FLY2}). Ceramic capacitors with an X7R or X5R temperature characteristic are preferred for use with the LP5569 device. These capacitors have tight capacitance tolerance (as good as $\pm 10\%$) and hold their value over temperature (X7R: $\pm 15\%$ over $-55^\circ C$ to $125^\circ C$; X5R: $\pm 15\%$ over $-55^\circ C$ to $85^\circ C$).

It is necessary to have at least $0.24 \mu F$ of effective capacitance for each of the flying capacitors under all operating conditions to ensure proper operation. The output capacitor C_{OUT} directly affects the magnitude of the output ripple voltage. In general, the higher the value of C_{OUT} , the lower the output-ripple magnitude. For proper operation TI recommends having at least $0.5 \mu F$ of effective capacitance for C_{IN} and C_{OUT} under all operating conditions. The voltage rating of all four capacitors must be 6.3 V (minimum), with 10 V preferred.

Table 108 lists suitable external components from some leading ceramic capacitor manufacturers.

Table 108. Suitable External Components

MODEL	TYPE	VENDOR	VOLTAGE RATING (V)	PACKAGE SIZE
C1005X5R1A105K	Ceramic X5R	TDK	10	0402
LMK105BJ105KV-F	Ceramic X5R	Taiyo Yuden	10	0402
ECJ0EB1A105M	Ceramic X5R	Panasonic	10	0402

9.2.1.3 Application Curves

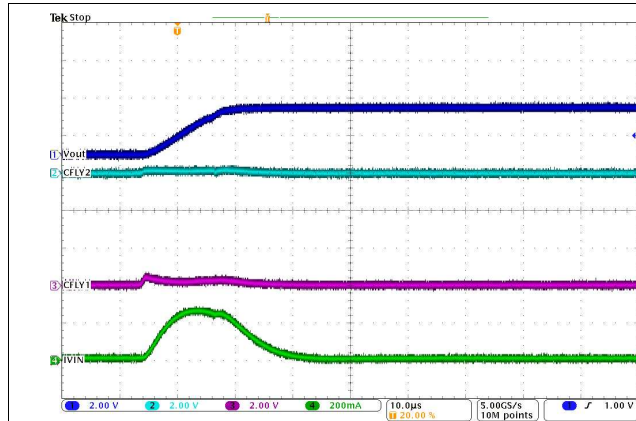


Figure 120. Start-Up Waveform

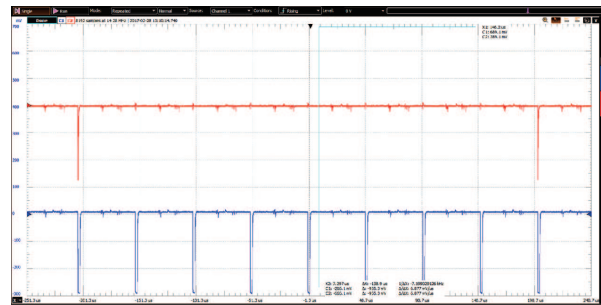
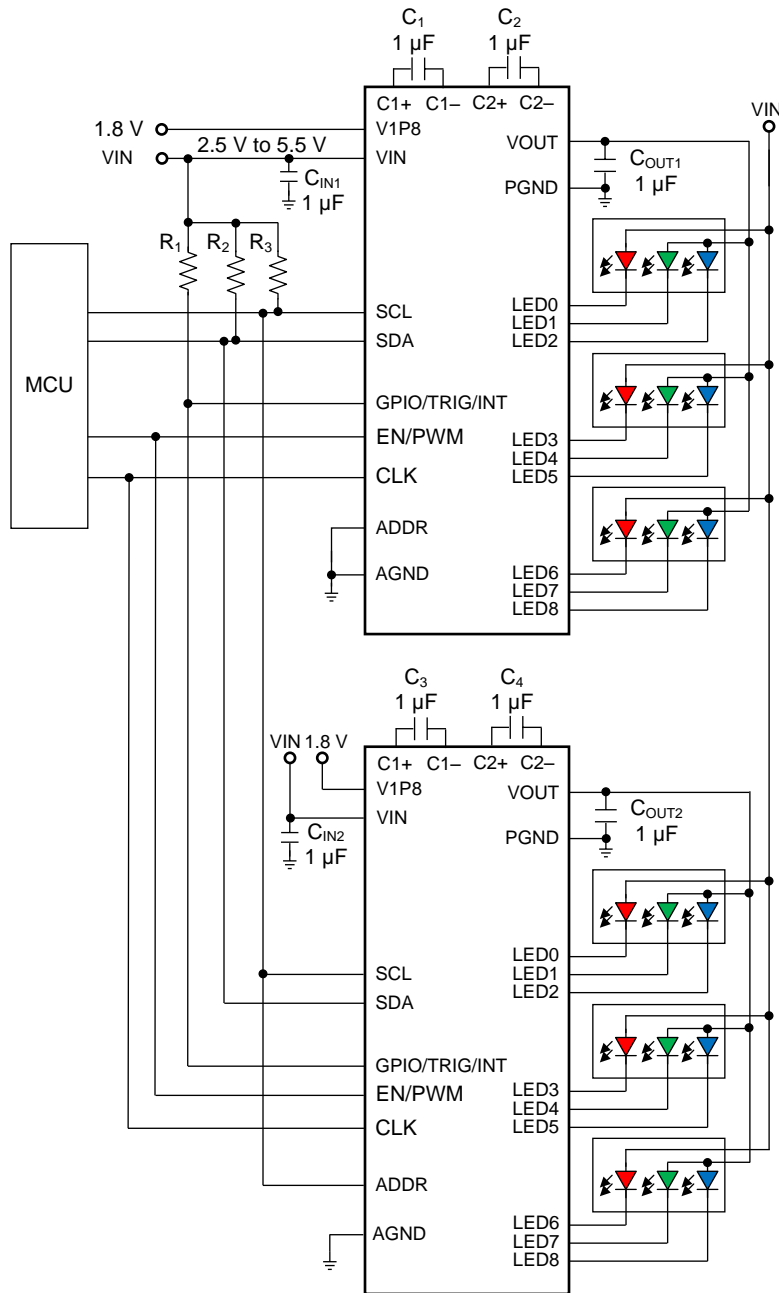


Figure 121. PWM Dither Waveform

9.2.2 Using Multiple LP5569 Devices

The LP5569 device enables up to eight parallel devices together, which can drive up to 24 RGB LEDs or 72 single LEDs. Figure 122 shows the connections for two LP5569 devices for six RGB LEDs. Note that the LED6, LED7, and LED8 outputs are used for the red LEDs. The SCL and SDA lines must each have a pullup resistor placed somewhere on the line (R2 and R3; the pullup resistors are normally located on the bus master). In typical applications, values of 1.8 kΩ to 4.7 kΩ are used, depending on the bus capacitance, I/O voltage, and the desired communication speed. GPIO/TRIG/INT is open drain, which requires a pullup resistor. The typical value for R1 is from 120 kΩ to 180 kΩ for two LP5569 devices.



Copyright © 2016, Texas Instruments Incorporated

Figure 122. Dual LP5569 Application Example

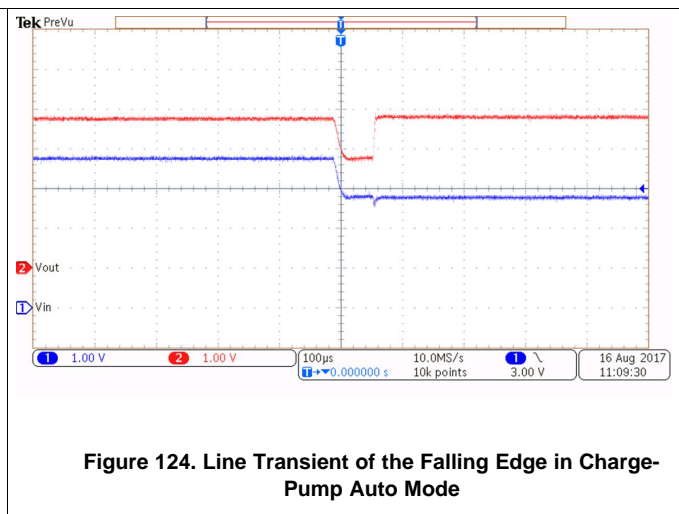
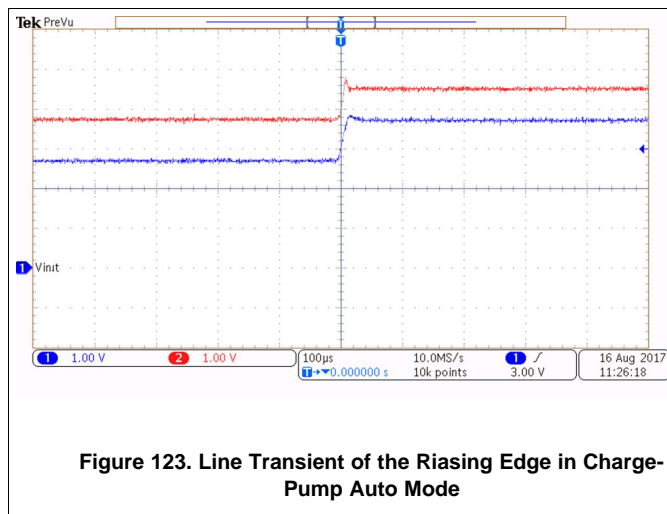
9.2.2.1 Design Requirements

DESIGN PARAMETER	EXAMPLE VALUE
Input voltage range	2.5 V to 5.5 V
LED V_F (maximum)	3.2 V
LED current	25.5 mA maximum
Input capacitor	$C_{IN} = 1 \mu F$
Output capacitor	$C_{OUT} = 1 \mu F$
Charge pump flying capacitors	$C_{FLY1} = C_{FLY2} = 1 \mu F$
Charge-pump mode	1.5x or automatic

9.2.2.2 Detailed Design Procedure

External component selection follows the earlier example (see [Detailed Design Procedure](#)).

9.2.2.3 Application Curves



10 Power Supply Recommendations

The device is designed to operate from a V_{VIN} input-voltage supply range between 2.5 V and 5.5 V. This input supply must be well-regulated and able to withstand maximum input current and maintain stable voltage without voltage drop even in a load-transition condition (start-up or rapid brightness change). The resistance of the input supply rail must be low enough that the input-current transient does not cause a drop below 2.5-V in the LP5569 V_{VIN} supply voltage.

11 Layout

11.1 Layout Guidelines

The charge pump basically has three areas of concern regarding component placement:

- The flying capacitors
- The output capacitor
- The input capacitor

11.1.1 Flying Capacitor Placement

The charge pump flying capacitors must quickly charge up and then supply current to the output every switching cycle. Because the charge-pump switching frequency is 1.25 MHz, the capacitor must be a low-inductance and low-resistance ceramic. Additionally, there must be a low-inductive connection between the flying capacitors and LP5569 pins C1P, C2P, C1M, and C2M.

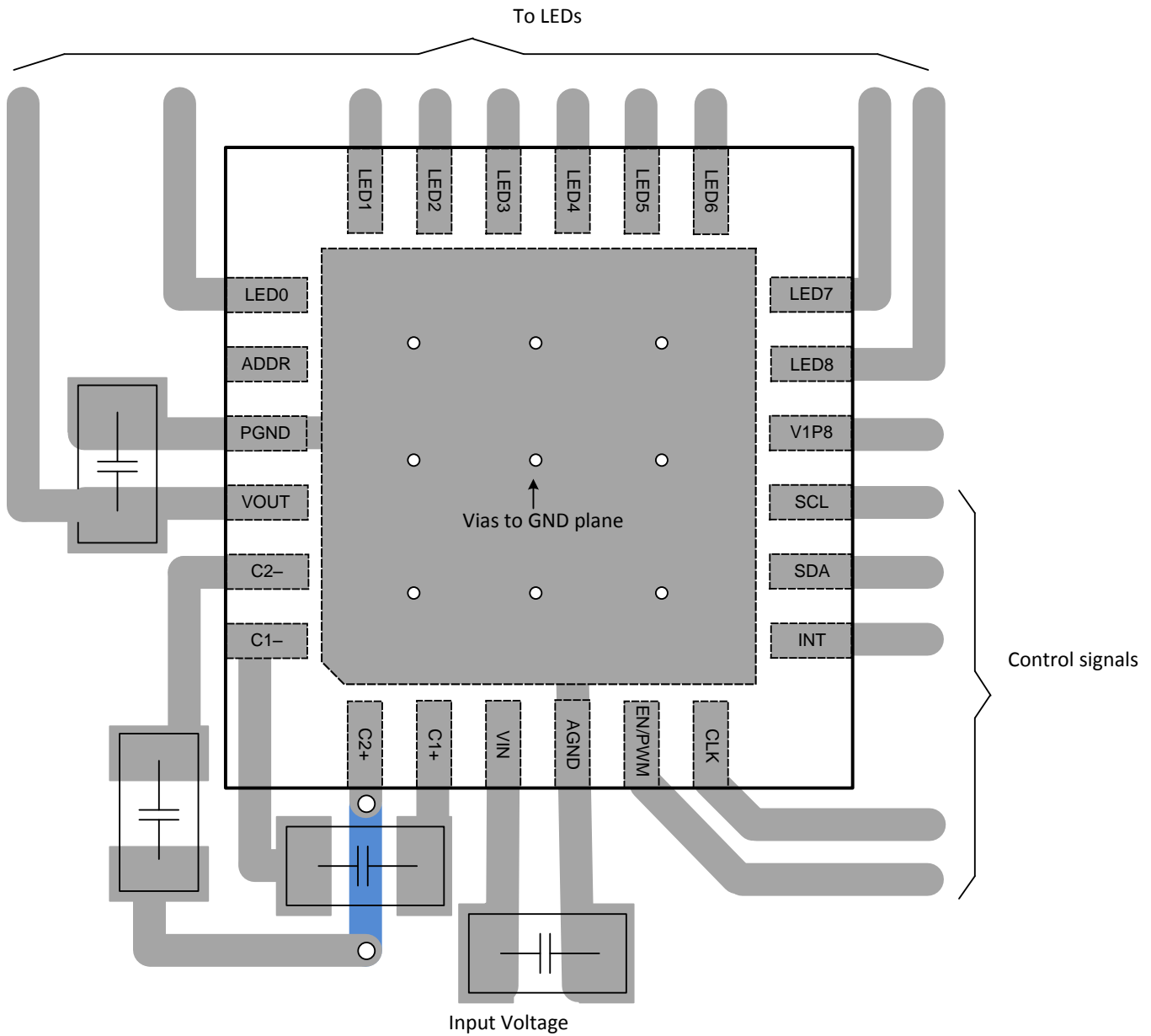
11.1.2 Output Capacitor Placement

The charge-pump output capacitor is charged by the flying capacitor every switching cycle (1.25 MHz). This fast switching action requires that a low-inductance and low-resistance capacitor (ceramic) be used and that the output capacitor be connected to the LP5569 VOUT pin with a low-inductance connection. This is done by placing the output capacitor as close as possible to the VOUT and PGND pins of the LP5569 device, with connections on the same layer to avoid vias.

11.1.3 Input Capacitor Placement

The charge pump input capacitor is discharged by the flying capacitor every switching cycle (0.8 μ s). This fast switching action requires that a low-inductance and low-resistance capacitor (ceramic) be used and that the input capacitor be connected to the LP5569 VIN pin with a low-inductive connection. This is done by placing the output capacitor as close as possible to the VOUT and AGND pins of the LP5569 device, with connections on the same layer to avoid vias.

11.2 Layout Example



Copyright © 2017, Texas Instruments Incorporated

Figure 125. LP5569 Layout Example

12 Device and Documentation Support

12.1 Device Support

12.1.1 Third-Party Products Disclaimer

TI'S PUBLICATION OF INFORMATION REGARDING THIRD-PARTY PRODUCTS OR SERVICES DOES NOT CONSTITUTE AN ENDORSEMENT REGARDING THE SUITABILITY OF SUCH PRODUCTS OR SERVICES OR A WARRANTY, REPRESENTATION OR ENDORSEMENT OF SUCH PRODUCTS OR SERVICES, EITHER ALONE OR IN COMBINATION WITH ANY TI PRODUCT OR SERVICE.

12.2 Receiving Notification of Documentation Updates

To receive notification of documentation updates, navigate to the device product folder on ti.com. In the upper right corner, click on *Alert me* to register and receive a weekly digest of any product information that has changed. For change details, review the revision history included in any revised document.

12.3 Community Resources

The following links connect to TI community resources. Linked contents are provided "AS IS" by the respective contributors. They do not constitute TI specifications and do not necessarily reflect TI's views; see TI's [Terms of Use](#).

TI E2E™ Online Community *TI's Engineer-to-Engineer (E2E) Community*. Created to foster collaboration among engineers. At e2e.ti.com, you can ask questions, share knowledge, explore ideas and help solve problems with fellow engineers.

Design Support *TI's Design Support* Quickly find helpful E2E forums along with design support tools and contact information for technical support.

12.4 Trademarks

E2E is a trademark of Texas Instruments.
Bluetooth is a registered trademark of Bluetooth SIG, Inc..
All other trademarks are the property of their respective owners.

12.5 Electrostatic Discharge Caution



These devices have limited built-in ESD protection. The leads should be shorted together or the device placed in conductive foam during storage or handling to prevent electrostatic damage to the MOS gates.

12.6 Glossary

[SLYZ022](#) — *TI Glossary*.

This glossary lists and explains terms, acronyms, and definitions.

13 Mechanical, Packaging, and Orderable Information

The following pages include mechanical, packaging, and orderable information. This information is the most-current data available for the designated device. This data is subject to change without notice and without revision of this document. For browser-based versions of this data sheet, see the left-hand navigation pane.

PACKAGING INFORMATION

Orderable part number	Status (1)	Material type (2)	Package Pins	Package qty Carrier	RoHS (3)	Lead finish/ Ball material (4)	MSL rating/ Peak reflow (5)	Op temp (°C)	Part marking (6)
LP5569ARTWR	Active	Production	WQFN (RTW) 24	3000 LARGE T&R	Yes	NIPDAU	Level-1-260C-UNLIM	-40 to 85	5569A
LP5569RTWR	Active	Production	WQFN (RTW) 24	3000 LARGE T&R	Yes	NIPDAU	Level-1-260C-UNLIM	-40 to 85	5569

(1) **Status:** For more details on status, see our [product life cycle](#).

(2) **Material type:** When designated, preproduction parts are prototypes/experimental devices, and are not yet approved or released for full production. Testing and final process, including without limitation quality assurance, reliability performance testing, and/or process qualification, may not yet be complete, and this item is subject to further changes or possible discontinuation. If available for ordering, purchases will be subject to an additional waiver at checkout, and are intended for early internal evaluation purposes only. These items are sold without warranties of any kind.

(3) **RoHS values:** Yes, No, RoHS Exempt. See the [TI RoHS Statement](#) for additional information and value definition.

(4) **Lead finish/Ball material:** Parts may have multiple material finish options. Finish options are separated by a vertical ruled line. Lead finish/Ball material values may wrap to two lines if the finish value exceeds the maximum column width.

(5) **MSL rating/Peak reflow:** The moisture sensitivity level ratings and peak solder (reflow) temperatures. In the event that a part has multiple moisture sensitivity ratings, only the lowest level per JEDEC standards is shown. Refer to the shipping label for the actual reflow temperature that will be used to mount the part to the printed circuit board.

(6) **Part marking:** There may be an additional marking, which relates to the logo, the lot trace code information, or the environmental category of the part.

Multiple part markings will be inside parentheses. Only one part marking contained in parentheses and separated by a "~" will appear on a part. If a line is indented then it is a continuation of the previous line and the two combined represent the entire part marking for that device.

Important Information and Disclaimer: The information provided on this page represents TI's knowledge and belief as of the date that it is provided. TI bases its knowledge and belief on information provided by third parties, and makes no representation or warranty as to the accuracy of such information. Efforts are underway to better integrate information from third parties. TI has taken and continues to take reasonable steps to provide representative and accurate information but may not have conducted destructive testing or chemical analysis on incoming materials and chemicals. TI and TI suppliers consider certain information to be proprietary, and thus CAS numbers and other limited information may not be available for release.

In no event shall TI's liability arising out of such information exceed the total purchase price of the TI part(s) at issue in this document sold by TI to Customer on an annual basis.

TAPE AND REEL INFORMATION

QUADRANT ASSIGNMENTS FOR PIN 1 ORIENTATION IN TAPE


*All dimensions are nominal

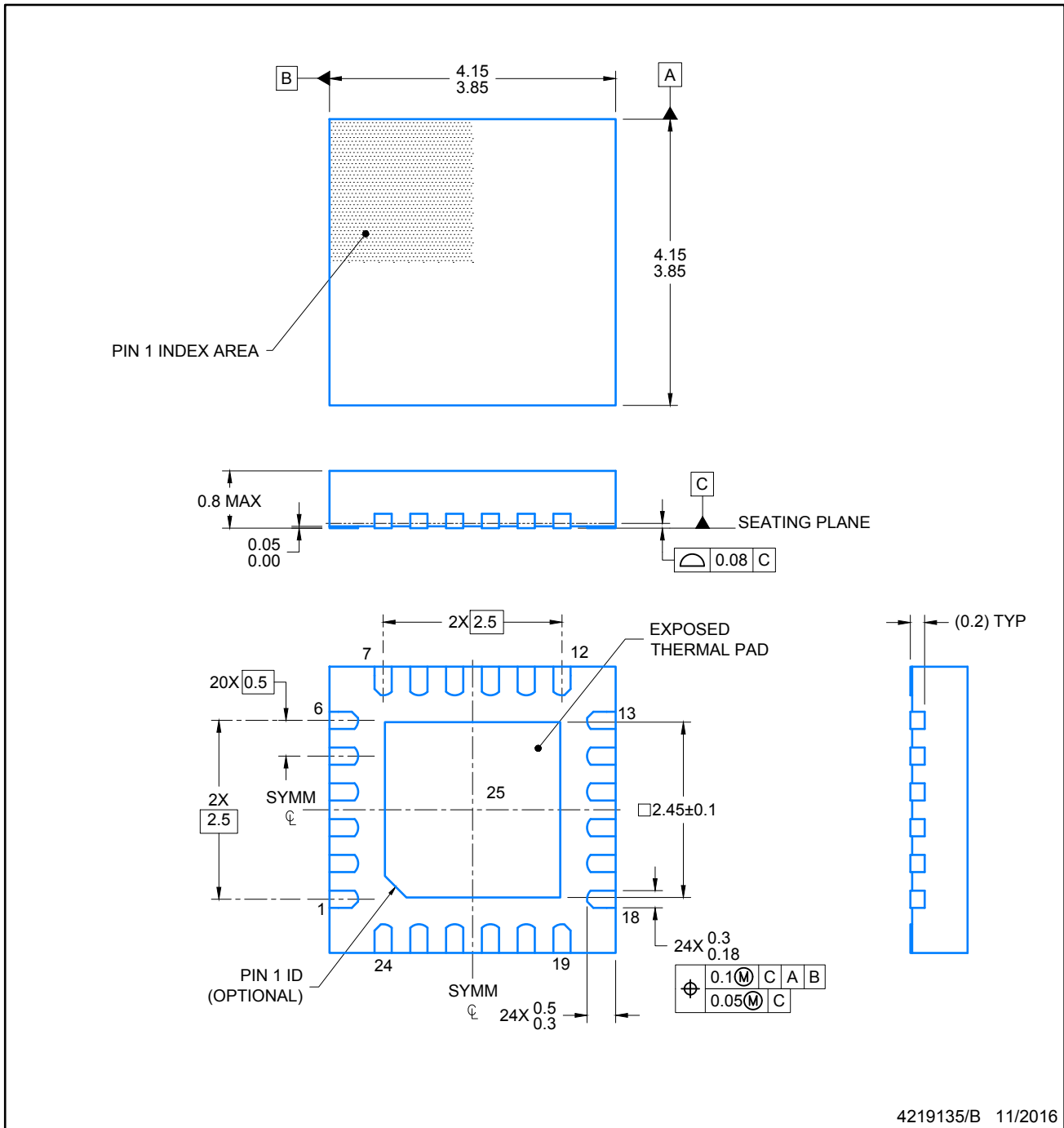
Device	Package Type	Package Drawing	Pins	SPQ	Reel Diameter (mm)	Reel Width W1 (mm)	A0 (mm)	B0 (mm)	K0 (mm)	P1 (mm)	W (mm)	Pin1 Quadrant
LP5569ARTWR	WQFN	RTW	24	3000	330.0	12.4	4.25	4.25	1.15	8.0	12.0	Q2
LP5569RTWR	WQFN	RTW	24	3000	330.0	12.4	4.25	4.25	1.15	8.0	12.0	Q2

TAPE AND REEL BOX DIMENSIONS



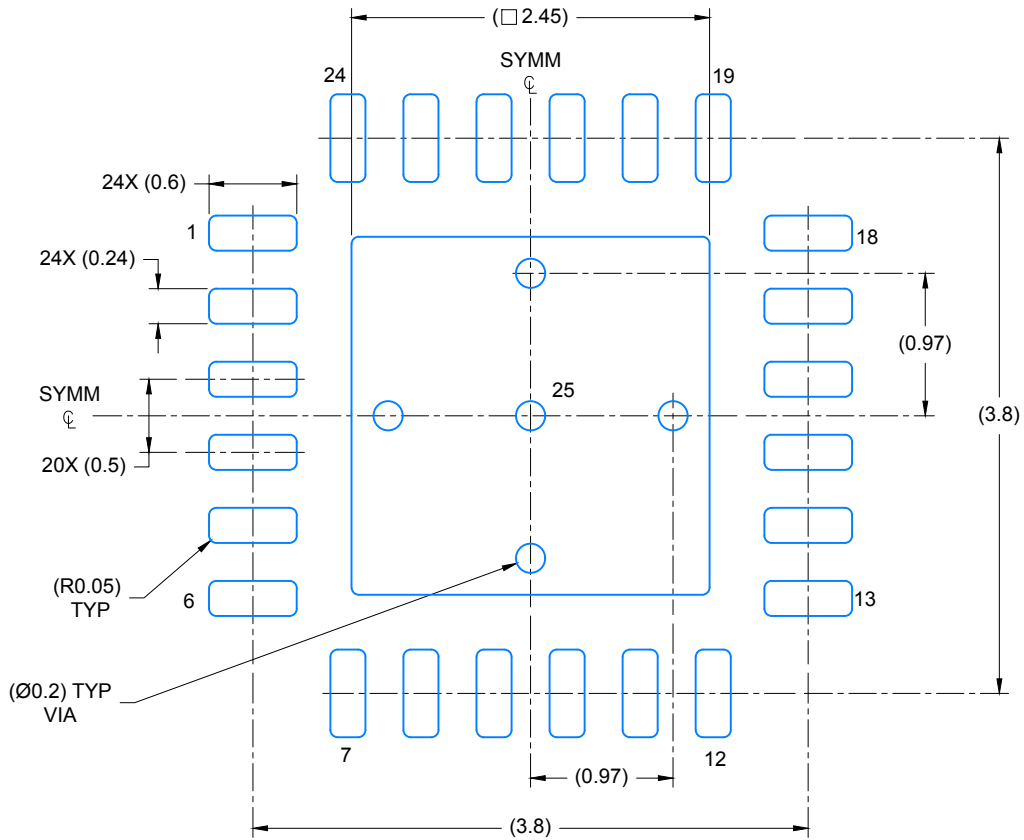
*All dimensions are nominal

Device	Package Type	Package Drawing	Pins	SPQ	Length (mm)	Width (mm)	Height (mm)
LP5569ARTWR	WQFN	RTW	24	3000	367.0	367.0	35.0
LP5569RTWR	WQFN	RTW	24	3000	367.0	367.0	35.0

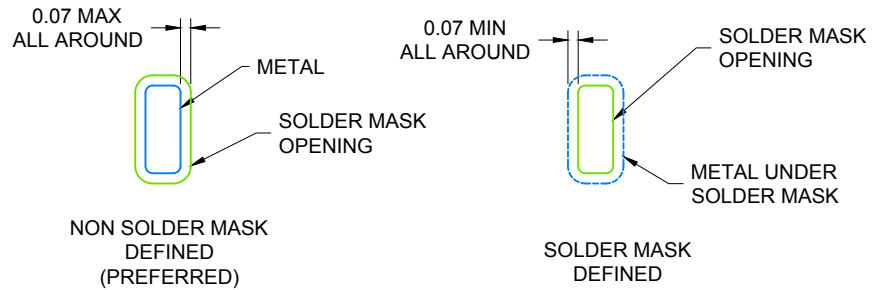


NOTES:

1. All linear dimensions are in millimeters. Any dimensions in parenthesis are for reference only. Dimensioning and tolerancing per ASME Y14.5M.
2. This drawing is subject to change without notice.



LAND PATTERN EXAMPLE
SCALE: 20X

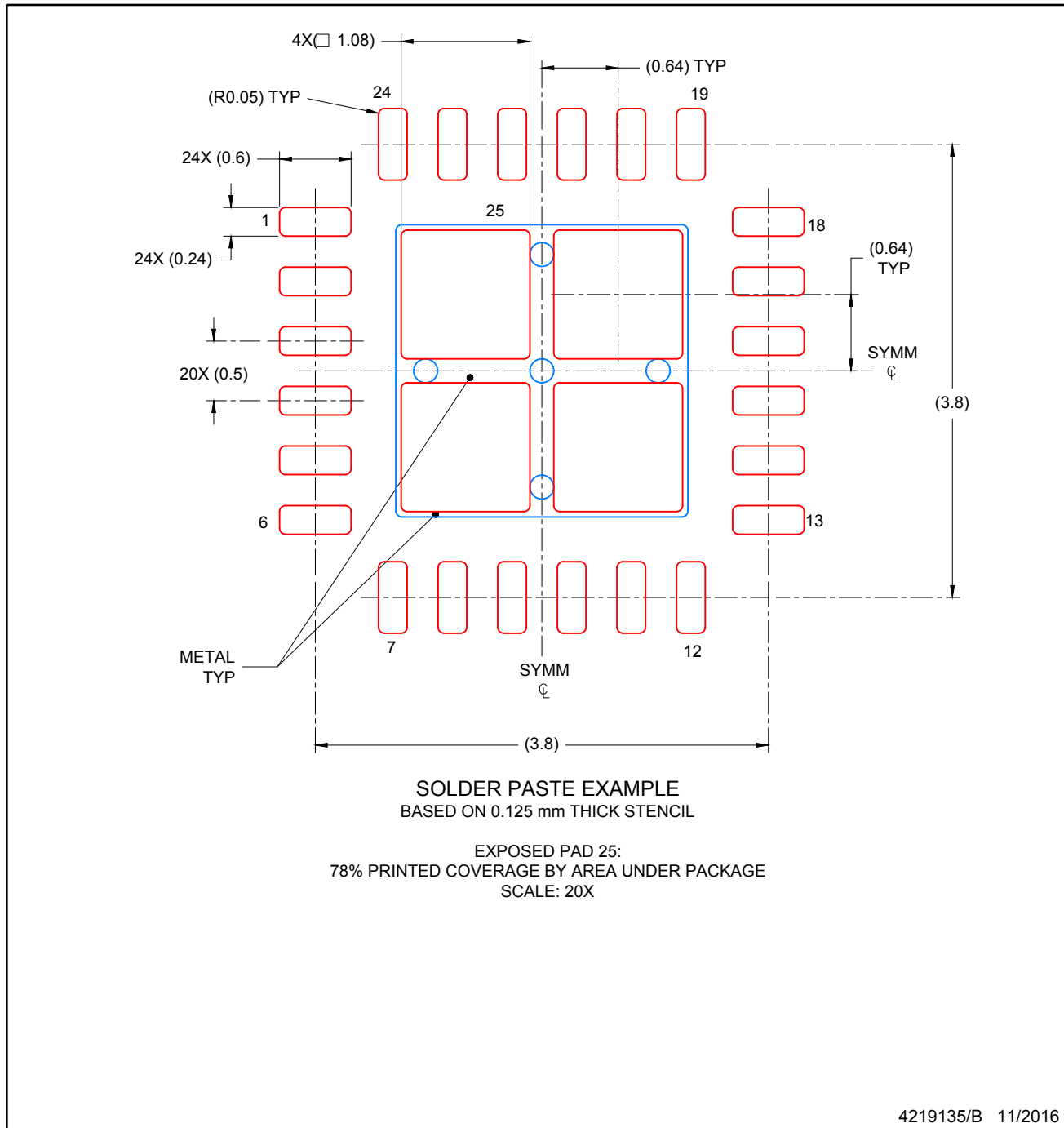


SOLDER MASK DETAILS

4219135/B 11/2016

NOTES: (continued)

- For more information, see Texas Instruments literature number SLUA271 (www.ti.com/lit/sluea271).



NOTES: (continued)

4. Laser cutting apertures with trapezoidal walls and rounded corners may offer better paste release. IPC-7525 may have alternate design recommendations.

IMPORTANT NOTICE AND DISCLAIMER

TI PROVIDES TECHNICAL AND RELIABILITY DATA (INCLUDING DATA SHEETS), DESIGN RESOURCES (INCLUDING REFERENCE DESIGNS), APPLICATION OR OTHER DESIGN ADVICE, WEB TOOLS, SAFETY INFORMATION, AND OTHER RESOURCES "AS IS" AND WITH ALL FAULTS, AND DISCLAIMS ALL WARRANTIES, EXPRESS AND IMPLIED, INCLUDING WITHOUT LIMITATION ANY IMPLIED WARRANTIES OF MERCHANTABILITY, FITNESS FOR A PARTICULAR PURPOSE OR NON-INFRINGEMENT OF THIRD PARTY INTELLECTUAL PROPERTY RIGHTS.

These resources are intended for skilled developers designing with TI products. You are solely responsible for (1) selecting the appropriate TI products for your application, (2) designing, validating and testing your application, and (3) ensuring your application meets applicable standards, and any other safety, security, regulatory or other requirements.

These resources are subject to change without notice. TI grants you permission to use these resources only for development of an application that uses the TI products described in the resource. Other reproduction and display of these resources is prohibited. No license is granted to any other TI intellectual property right or to any third party intellectual property right. TI disclaims responsibility for, and you will fully indemnify TI and its representatives against, any claims, damages, costs, losses, and liabilities arising out of your use of these resources.

TI's products are provided subject to [TI's Terms of Sale](#) or other applicable terms available either on [ti.com](https://www.ti.com) or provided in conjunction with such TI products. TI's provision of these resources does not expand or otherwise alter TI's applicable warranties or warranty disclaimers for TI products.

TI objects to and rejects any additional or different terms you may have proposed.

Mailing Address: Texas Instruments, Post Office Box 655303, Dallas, Texas 75265

Copyright © 2025, Texas Instruments Incorporated