

TOUCH SCREEN CONTROLLER

 Check for Samples: [ADS7843-Q1](#)

FEATURES

- Qualified for Automotive Applications
- Ratiometric Conversion
- Single Supply: 2.7V to 5V
- Up to 125kHz Conversion Rate
- Serial Interface
- Programmable 8- or 12-Bit Resolution
- 2 Auxiliary Analog Inputs
- Full Power-Down Control

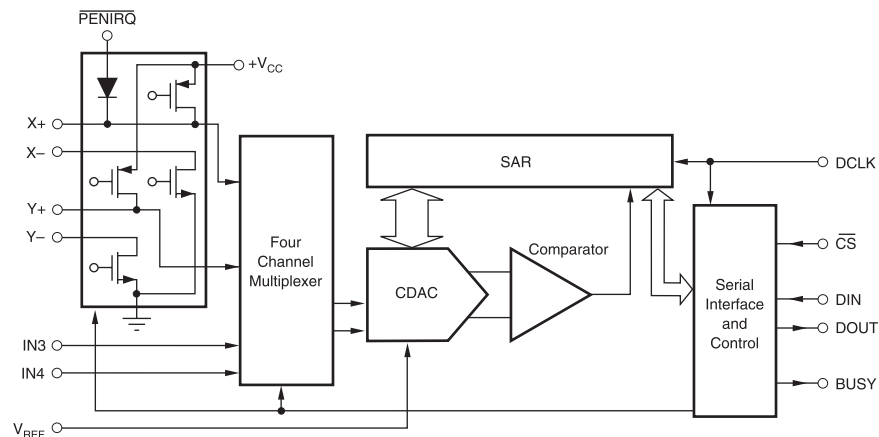
APPLICATIONS

- Personal Digital Assistants
- Portable Instruments
- Point-of-Sales Terminals
- Pagers
- Touch Screen Monitors

DESCRIPTION

The ADS7843-Q1 is a 12-bit sampling Analog-to-Digital Converter (ADC) with a synchronous serial interface and low on-resistance switches for driving touch screens. Typical power dissipation is 750 μ W at a 125kHz throughput rate and a +2.7V supply. The reference voltage (V_{REF}) can be varied between 1V and $+V_{CC}$, providing a corresponding input voltage range of 0V to V_{REF} . The device includes a shutdown mode which reduces typical power dissipation to under 0.5 μ W. The ADS7843-Q1 is specified down to 2.7V operation.

Low power, high speed, and onboard switches make the ADS7843-Q1 ideal for battery-operated systems such as personal digital assistants with resistive touch screens and other portable equipment. The ADS7843-Q1 is available in an SSOP-16 package and is specified over the -40°C to $+85^{\circ}\text{C}$ temperature range.



ORDERING INFORMATION⁽¹⁾

T_A	PACKAGE ⁽²⁾	ORDERABLE PART NUMBER	TOP-SIDE MARKING
-40°C to 85°C	SSOP-16 – DBQ Tape and reel	ADS7843IDBQRQ1	S7843Q

- (1) For the most current package and ordering information, see the Package Option Addendum at the end of this document, or see the TI web site at www.ti.com.
- (2) Package drawings, thermal data, and symbolization are available at www.ti.com/packaging.



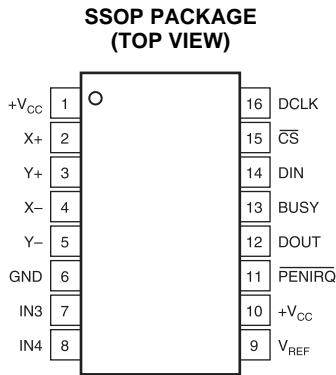
Please be aware that an important notice concerning availability, standard warranty, and use in critical applications of Texas Instruments semiconductor products and disclaimers thereto appears at the end of this data sheet.



This integrated circuit can be damaged by ESD. Texas Instruments recommends that all integrated circuits be handled with appropriate precautions. Failure to observe proper handling and installation procedures can cause damage.

ESD damage can range from subtle performance degradation to complete device failure. Precision integrated circuits may be more susceptible to damage because very small parametric changes could cause the device not to meet its published specifications.

PIN DESCRIPTIONS (continued)



PIN DESCRIPTIONS

PIN		DESCRIPTION
NO.	NAME	
1	+VCC	Power Supply, 2.7V to 5V.
2	X+	X+ Position Input. ADC input Channel 1.
3	Y+	Y+ Position Input. ADC input Channel 2.
4	X-	X- Position Input

PIN		DESCRIPTION
NO.	NAME	
5	Y-	Y- Position Input
6	GND	Ground
7	IN3	Auxiliary Input 1. ADC input Channel 3.
8	IN4	Auxiliary Input 2. ADC input Channel 4.
9	VREF	Voltage Reference Input
10	+VCC	Power Supply, 2.7V to 5V.
11	$\overline{\text{PENIR}}\text{Q}$	Pen Interrupt. Open anode output (requires 10kΩ to 100kΩ pull-up resistor externally).
12	DOUT	1Serial Data Output. Data is shifted on the falling edge of DCLK. This output is high impedance when CS is HIGH.
13	BUSY	Busy Output. This output is high impedance when CS is HIGH.
14	DIN	Serial Data Input. If CS is LOW, data is latched on rising edge of DCLK.
15	CS	Chip Select Input. Controls conversion timing and enables the serial input/output register.
16	DCLK	External Clock Input. This clock runs the SAR conversion process and synchronizes serial data I/O.

ABSOLUTE MAXIMUM RATINGS⁽¹⁾

over operating free-air temperature range (unless otherwise noted)

PARAMETER	VALUE	UNIT
+V _{CC} to GND	-0.3 V to 6.5 V	
+V _{CC} to GND	-0.3 to +6	V
Analog inputs to GND	-0.3 to +V _{CC} + 0.3	V
Digital inputs to GND	-0.3 to +V _{CC} + 0.3	V
Power dissipation	250	mW
Maximum junction temperature	+150	°C
Operating temperature range	-40°C to +85	°C
Storage temperature range	-65°C to +150	°C
Lead temperature (soldering, 10s)	+300	°C
Electrostatic discharge (ESD)	Human-Body Model (HBM)	400
	Machine Model (MM)	100
	Charged-Device Model (CDM)	750

(1) Stresses above these ratings may cause permanent damage. Exposure to absolute maximum conditions for extended periods may degrade device reliability. These are stress ratings only, and functional operation of the device at these or any other conditions beyond those specified is not implied.

ELECTRICAL CHARACTERISTICS

at $T_A = -40^{\circ}\text{C}$ to $+85^{\circ}\text{C}$, $+V_{CC} = +2.7\text{V}$, $V_{REF} = +2.5\text{V}$, $f_{SAMPLE} = 125\text{kHz}$, $f_{CLK} = 16 \cdot f_{SAMPLE} = 2\text{MHz}$, 12-bit mode, and digital inputs = GND or $+V_{CC}$, unless otherwise noted.

PARAMETER		CONDITIONS	MIN	TYP	MAX	UNITS
Analog Input						
Full-Scale Input Span		Positive Input – Negative Input	0		VREF	V
Absolute Input Range		Positive Input	-0.2		$+V_{CC} + 0.2$	V
Negative Input		-0.2	+0.2		V	
Capacitance				25		pF
Leakage Current				0.1		μA
System Performance						
Resolution				12		Bits
No Missing Codes			11			Bits
Integral Linearity Error					± 2	LSB ⁽¹⁾
Offset Error					± 6	LSB
Offset Error Match				0.1	1	LSB
Gain Error					± 4	LSB
Gain Error Match				0.1	1	LSB
Noise				30		μVrms
Power-Supply Rejection				70		dB
Sampling Dynamics						
Conversion Time					12	Clk Cycles
Acquisition Time			3			Clk Cycles
Throughput Rate					125	kHz
Multiplexer Settling Time				500		ns
Aperture Delay				30		ns
Aperture Jitter				100		ps
Channel-to-Channel Isolation		$V_{IN} = 2.5\text{Vp-p}$ at 50kHz		100		dB
Switch Drivers						
On-Resistance	Y+, X+			5		Ω
	Y-, X-			6		Ω
Reference Input						
Range			1		$+V_{CC}$	V
Resistance		CS = GND or $+V_{CC}$		5		G Ω
Input Current				13	40	μA
$f_{SAMPLE} = 12.5\text{kHz}$				2.5		μA
CS = $+V_{CC}$			0.001		3	μA
Digital Input/Output						
Logic Family				CMOS		
Logic Levels, Except $\overline{\text{PENIRQ}}$	V_{IH}	$ I_{IH} \leq +5\mu\text{A}$		$+V_{CC} \cdot 0.7$	$+V_{CC} + 0.3$	
	V_{IL}	$ I_{IL} \leq +5\mu\text{A}$		-0.3	+0.8	V
	V_{OH}	$I_{OH} = -250\mu\text{A}$		$+V_{CC} \cdot 0.8$		V
	V_{OL}	$I_{OL} = 250\mu\text{A}$			0.4	V
$\overline{\text{PENIRQ}}$	V_{OL}	$T_A = 0^{\circ}\text{C}$ to $+85^{\circ}\text{C}$, 100k Ω Pull-Up			0.8	V
Data Format				Straight Binary		

(1) LSB means Least Significant Bit. With V_{REF} equal to $+2.5\text{V}$, 1LSB is $610\mu\text{V}$.

ELECTRICAL CHARACTERISTICS (continued)

at $T_A = -40^{\circ}\text{C}$ to $+85^{\circ}\text{C}$, $+V_{CC} = +2.7\text{V}$, $V_{REF} = +2.5\text{V}$, $f_{SAMPLE} = 125\text{kHz}$, $f_{CLK} = 16 \cdot f_{SAMPLE} = 2\text{MHz}$, 12-bit mode, and digital inputs = GND or $+V_{CC}$, unless otherwise noted.

PARAMETER	CONDITIONS	MIN	TYP	MAX	UNITS
Power-Supply Requirements					
+VCC	Specified Performance	2.7		3.6	V
Quiescent Current			280	650	μA
$f_{SAMPLE} = 12.5\text{kHz}$			220		μA
Shutdown Mode with DCLK = DIN = +VCC				3	μA
Power Dissipation	+VCC = +2.7V			1.8	mW
Temperature Range					
Specified Performance		-40		+85	$^{\circ}\text{C}$

TYPICAL CHARACTERISTICS

$T_A = 25^\circ\text{C}$, $V_{DD} = 5\text{ V}$ (unless otherwise noted)

SUPPLY CURRENT vs TEMPERATURE

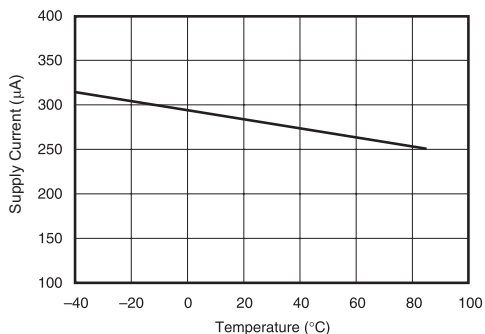


Figure 1.

POWER-DOWN SUPPLY CURRENT vs TEMPERATURE

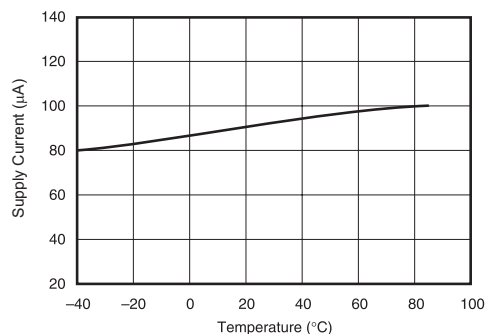


Figure 2.

SUPPLY CURRENT vs +V_{CC}

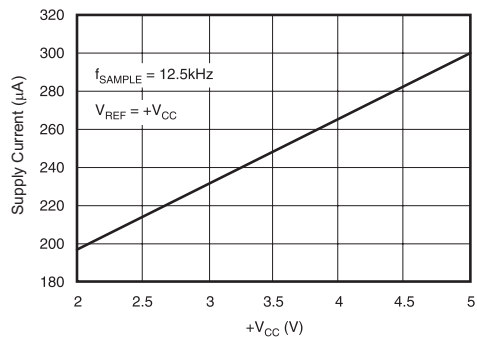


Figure 3.

MAXIMUM SAMPLE RATE vs +V_{CC}

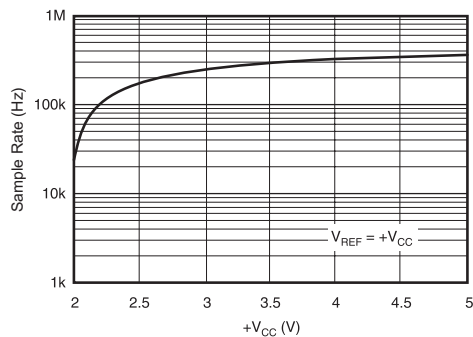


Figure 4.

CHANGE IN GAIN vs TEMPERATURE

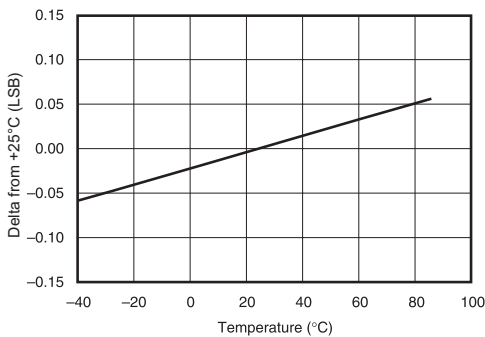


Figure 5.

CHANGE IN OFFSET vs TEMPERATURE

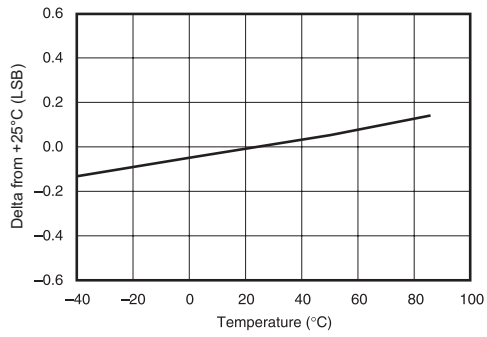


Figure 6.

TYPICAL CHARACTERISTICS (continued)

$T_A = 25^\circ\text{C}$, $V_{DD} = 5\text{ V}$ (unless otherwise noted)

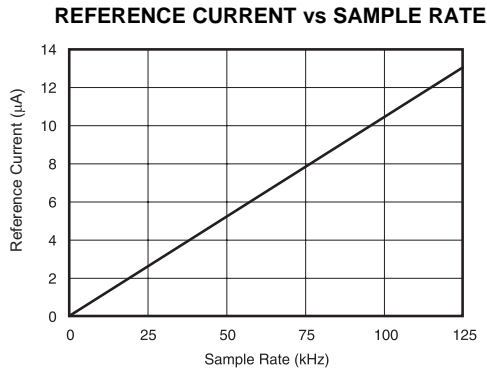


Figure 7.

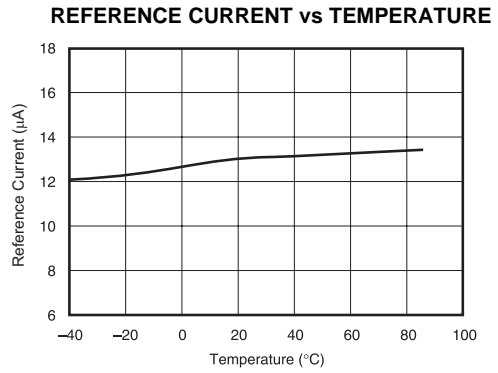


Figure 8.

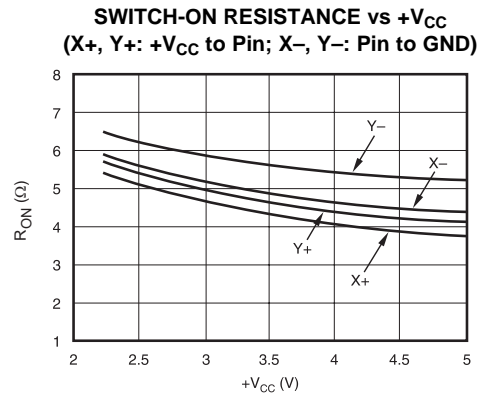


Figure 9.

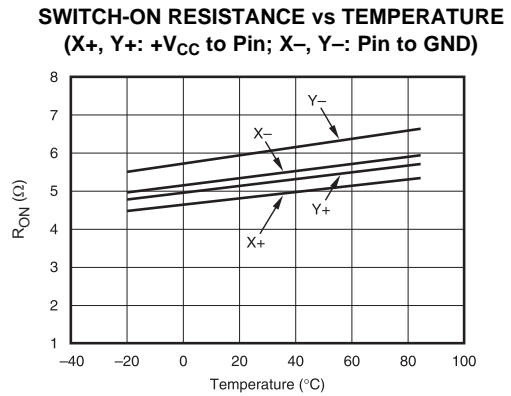


Figure 10.

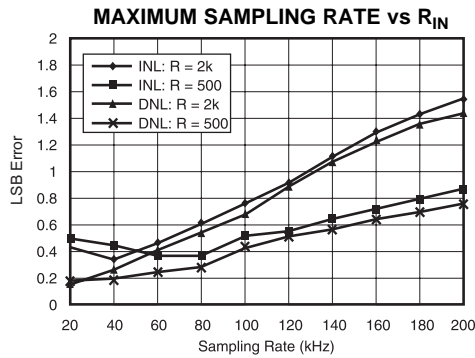


Figure 11.

THEORY OF OPERATION

The ADS7843-Q1 is a classic Successive Approximation Register (SAR) ADC. The architecture is based on capacitive redistribution which inherently includes a sample-and-hold function. The converter is fabricated on a 0.6µm CMOS process.

The basic operation of the ADS7843-Q1 is shown in Figure 12. The device requires an external reference and an external clock. It operates from a single supply of 2.7V to 5.25V. The external reference can be any voltage between 1V and +VCC. The value of the reference voltage directly sets the input range of the converter. The average reference input current depends on the conversion rate of the ADS7843-Q1.

The analog input to the converter is provided via a four-channel multiplexer. A unique configuration of low on-resistance switches allows an unselected ADC input channel to provide power and an accompanying pin to provide ground for an external device. By maintaining a differential input to the converter and a differential reference architecture, it is possible to negate the switch's on-resistance error (should this be a source of error for the particular measurement).

ANALOG INPUT

See Figure 13 for a block diagram of the input multiplexer on the ADS7843-Q1, the differential input of the ADC, and the converter's differential reference. Table 1 and Table 2 show the relationship between the A2, A1, A0, and SER/DFR control bits and the configuration of the ADS7843-Q1. The control bits are provided serially via the DIN pin—see the Digital Interface section of this data sheet for more details.

When the converter enters the hold mode, the voltage difference between the +IN and –IN inputs (see Figure 13) is captured on the internal capacitor array. The input current on the analog inputs depends on the conversion rate of the device. During the sample period, the source must charge the internal sampling capacitor (typically 25pF). After the capacitor has been fully charged, there is no further input current. The rate of charge transfer from the analog source to the converter is a function of conversion rate.

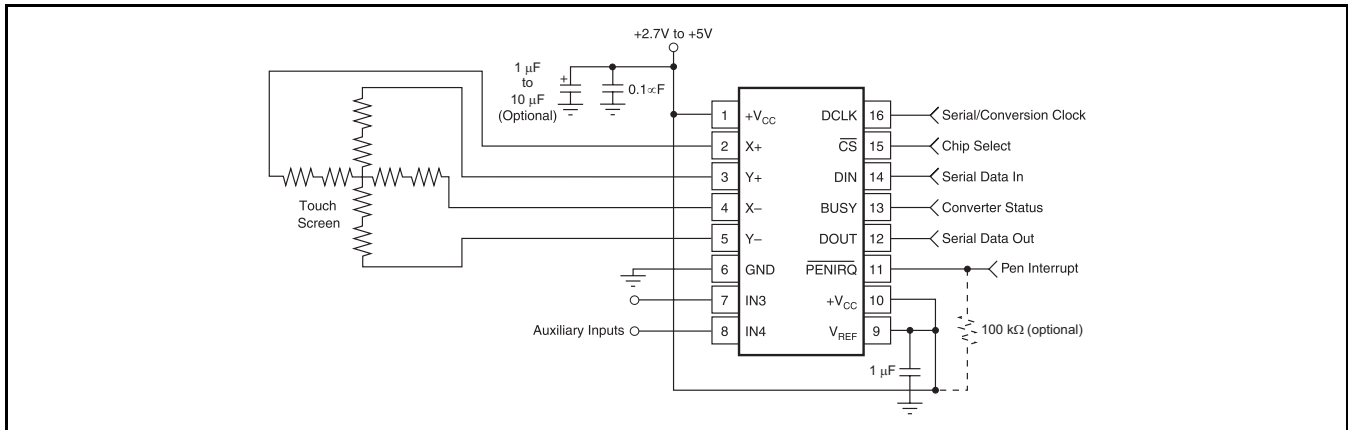


Figure 12. Basic Operation of the ADS7843-Q1

Table 1. Input Configuration, Single-Ended Reference Mode (SER/DFR HIGH)

A2	A1	A0	X+	Y+	IN3	IN4	–IN(1)	X SWITCHES	Y SWITCHES	+REF ⁽¹⁾	–REF ⁽¹⁾
0	0	1	+IN				GND	OFF	ON	+VREF	GND
1	0	1		+IN			GND	ON	OFF	+VREF	GND
0	1	0			+IN		GND	OFF	OFF	+VREF	GND
1	1	0				+IN	GND	OFF	OFF	+VREF	GND

(1) Internal node, for clarification only—not directly accessible by the user.

Table 2. Input Configuration, Differential Reference Mode (SER/DFR LOW).

A2	A1	A0	X+	Y+	IN3	IN4	-IN(1)	X SWITCHES	Y SWITCHES	+REF ⁽¹⁾	-REF ⁽¹⁾
0	0	1	+IN				-Y	OFF	ON	+Y	-Y
1	0	1		+IN			-X	ON	OFF	+X	-X
0	1	0			+IN		GND	OFF	OFF	+VREF	GND
1	1	0				+IN	GND	OFF	OFF	+VREF	GND

(1) Internal node, for clarification only—not directly accessible by the user.

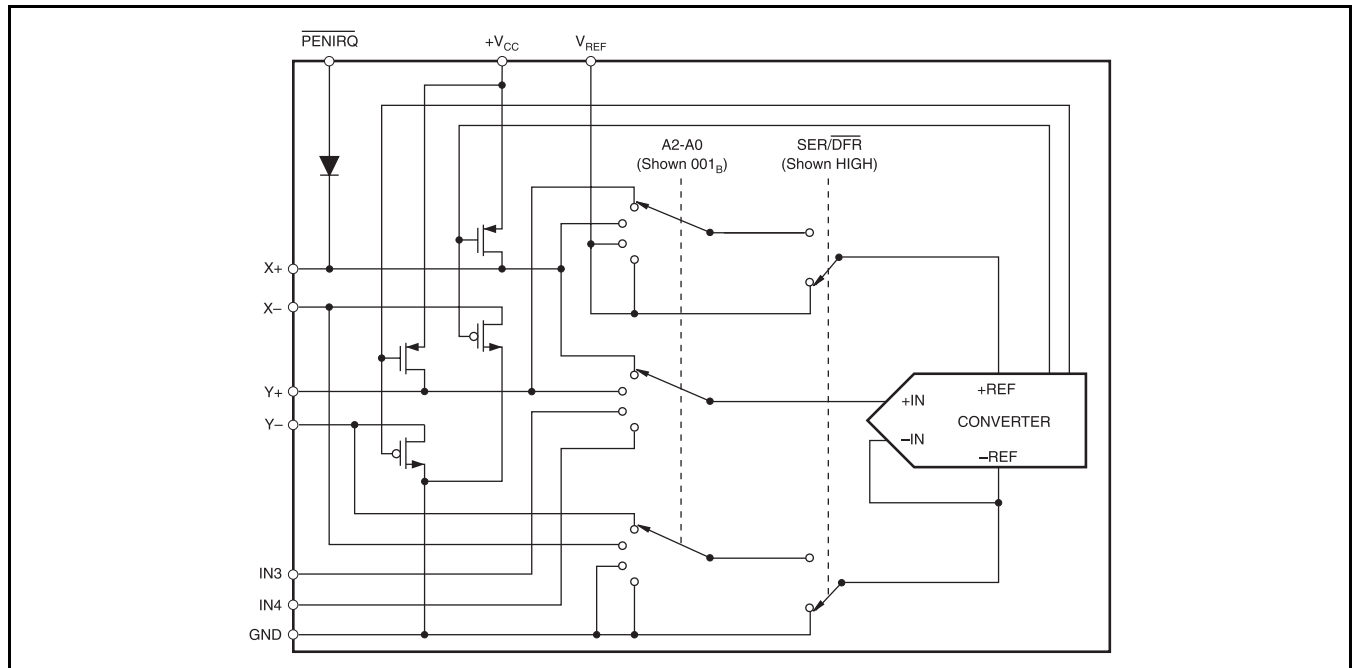


Figure 13. Simplified Diagram of Analog Input

REFERENCE INPUT

The voltage difference between +REF and -REF (shown in Figure 13) sets the analog input range. The ADS7843-Q1 will operate with a reference in the range of 1V to +VCC. There are several critical items concerning the reference input and its wide voltage range. As the reference voltage is reduced, the analog voltage weight of each digital output code is also reduced. This is often referred to as the LSB (least significant bit) size and is equal to the reference voltage divided by 4096. Any offset or gain error inherent in the ADC will appear to increase, in terms of LSB size, as the reference voltage is reduced. For example, if the offset of a given converter is 2LSBs with a 2.5V reference, it will typically be 5LSBs with a 1V reference. In each case, the actual offset of the device is the same, 1.22mV. With a lower reference voltage, more care must be taken to provide a clean layout including adequate bypassing, a clean (low noise, low ripple) power supply, a low-noise reference, and a low-noise input signal.

The voltage into the VREF input is not buffered and directly drives the Capacitor Digital-to-Analog Converter (CDAC) portion of the ADS7843-Q1. Typically, the input current is 13µA with VREF = 2.7V and fSAMPLE = 125kHz. This value will vary by a few microamps depending on the result of the conversion. The reference current diminishes directly with both conversion rate and reference voltage. As the current from the reference is drawn on each bit decision, clocking the converter more quickly during a given conversion period will not reduce overall current drain from the reference.

There is also a critical item regarding the reference when making measurements where the switch drivers are on. For this discussion, it's useful to consider the basic operation of the ADS7843-Q1 as shown in Figure 12. This particular application shows the device being used to digitize a resistive touch screen. A measurement of the current Y position of the pointing device is made by connecting the X+ input to the ADC, turning on the Y+ and Y- drivers, and digitizing the voltage on X+ (shown in Figure 14). For this measurement, the resistance in the X+ lead does not affect the conversion (it does affect the settling time, but the resistance is usually small enough that this is not a concern).

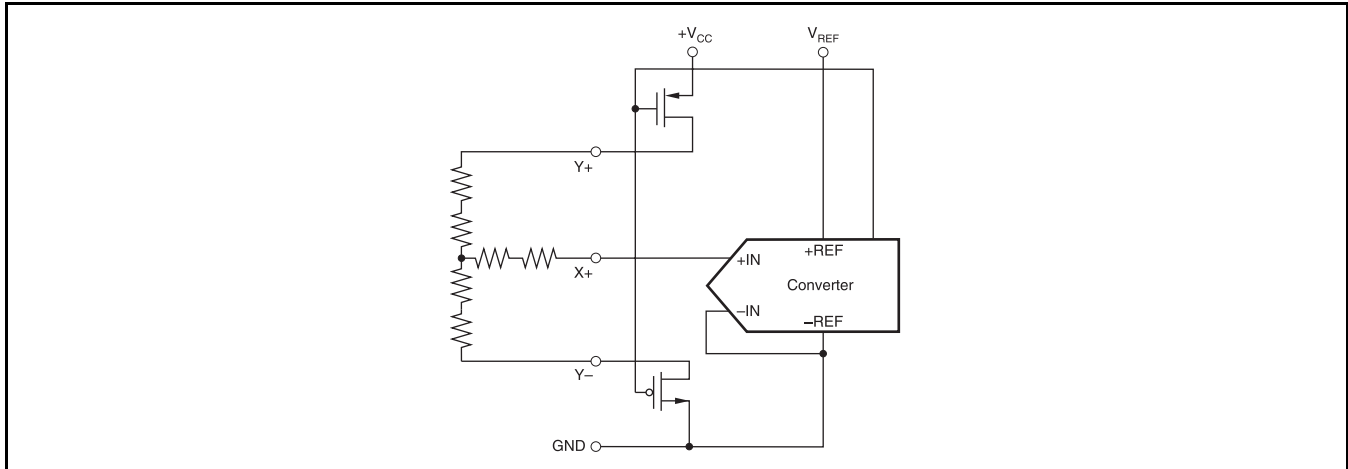


Figure 14. Simplified Diagram of Single-Ended Reference (SER/DFR HIGH, Y Switches Enabled, X+ is Analog Input)

However, since the resistance between Y+ and Y- is fairly low, the on-resistance of the Y drivers does make a small difference. Under the situation outlined so far, it would not be possible to achieve a 0V input or a full-scale input regardless of where the pointing device is on the touch screen because some voltage is lost across the internal switches. In addition, the internal switch resistance is unlikely to track the resistance of the touch screen, providing an additional source of error. This situation can be remedied as shown in Figure 15. By setting the SER/DFR bit LOW, the +REF and -REF inputs are connected directly to Y+ and Y-. This makes the A/D conversion ratiometric. The result of the conversion is always a percentage of the external resistance, regardless of how it changes in relation to the on-resistance of the internal switches. Note that there is an important consideration regarding power dissipation when using the ratiometric mode of operation, see the Power Dissipation section for more details. As a final note about the differential reference mode, it must be used with +VCC as the source of the +REF voltage and cannot be used with VREF. It is possible to use a high precision reference on VREF and single-ended reference mode for measurements which do not need to be ratiometric. Or, in some cases, it could be possible to power the converter directly from a precision reference. Most references can provide enough power for the ADS7843-Q1, but they might not be able to supply enough current for the external load (such as a resistive touch screen).

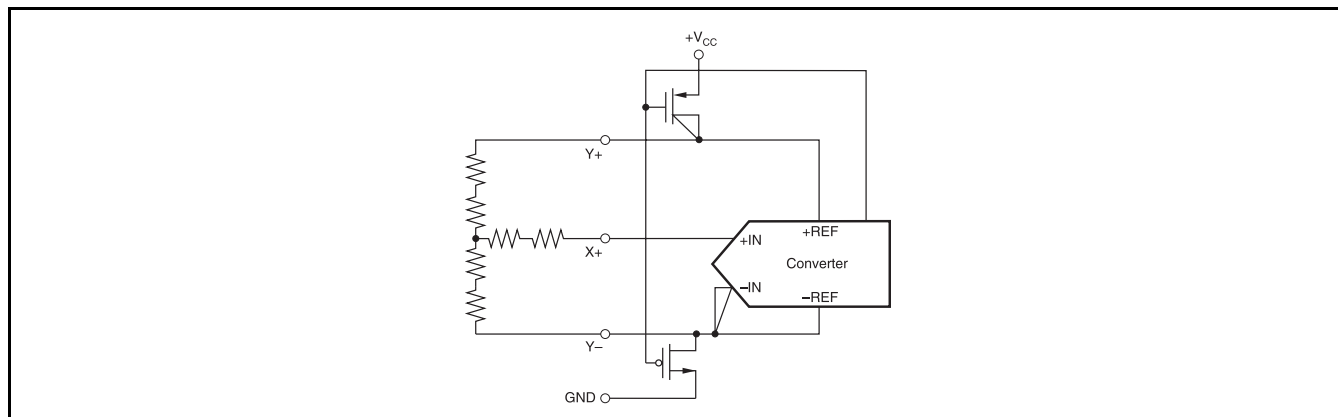


Figure 15. Simplified Diagram of Differential Reference (SER/DFR LOW, Y Switches Enabled, X+ is Analog Input).

DIGITAL INTERFACE

Figure 16 shows the typical operation of the ADS7843-Q1's digital interface. This diagram assumes that the source of the digital signals is a microcontroller or digital signal processor with a basic serial interface. Each communication between the processor and the converter consists of eight clock cycles. One complete conversion can be accomplished with three serial communications, for a total of 24 clock cycles on the DCLK input.

The first eight clock cycles are used to provide the control byte via the DIN pin. When the converter has enough information about the following conversion to set the input multiplexer, switches, and reference inputs appropriately, the converter enters the acquisition (sample) mode and, if needed, the internal switches are turned on. After three more clock cycles, the control byte is complete and the converter enters the conversion mode. At this point, the input sample-and-hold goes into the hold mode and the internal switches may turn off. The next 12th clock cycles accomplish the actual A/D conversion. If the conversion is ratiometric (SER/DFR LOW), the internal switches are on during the conversion. A 13th clock cycle is needed for the last bit of the conversion result. Three more clock cycles are needed to complete the last byte (DOUT will be LOW). These will be ignored by the converter.

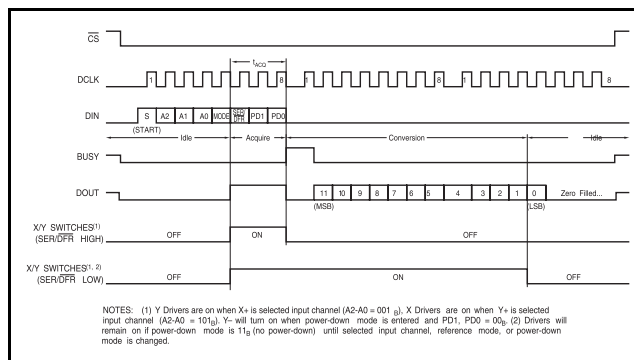


Figure 16. Conversion Timing, 24 Clocks per Conversion, 8-bit Bus Interface. No DCLK Delay Required with Dedicated Serial Port.

Control Byte

See Figure 16 for the placement and order of the control bits within the control byte. Table 3 and Table 4 give detailed information about these bits. The first bit, the 'S' bit, must always be HIGH and indicates the start of the control byte. The ADS7843-Q1 will ignore inputs on the DIN pin until the start bit is detected. The next three bits (A2-A0) select the active input channel or channels of the input multiplexer (see Table 1 and Table 2 and Figure 13). The MODE bit determines the number of bits for each conversion, either 12 bits (LOW) or 8 bits (HIGH).

The SER/DFR bit controls the reference mode: either single-ended (HIGH) or differential (LOW). (The differential mode is also referred to as the ratiometric conversion mode.) In single-ended mode, the converter's reference voltage is always the difference between the VREF and GND pins. In differential mode, the reference voltage is the difference between the currently enabled switches. See Table 1 and Table 2 and Figure 13 through Figure 15 for more information. The last two bits (PD1-PD0) select the power-down mode as shown in Table 5. If both inputs

are HIGH, the device is always powered up. If both inputs are LOW, the device enters a power-down mode between conversions. When a new conversion

is initiated, the device will resume normal operation instantly—no delay is needed to allow the device to power up and the very first conversion will be valid. There are two power-down modes: one where PENIRQ is disabled and one where it is enabled.

Table 3. Order of the Control Bits in the Control Byte

Bit 7 (MSB)	Bit 6	Bit 5	Bit 4	Bit 3	Bit 2	Bit 1	Bit 0 (LSB)
S	A2	A1	A0	MODE	$\overline{\text{SER/D}}/\text{FR}$	PD1	PD0

16-Clocks per Conversion

The control bits for conversion $n + 1$ can be overlapped with conversion 'n' to allow for a conversion every 16 clock cycles, as shown in [Figure 17](#). This figure also shows possible serial communication occurring with other serial peripherals between each byte transfer between the processor and the converter.

Table 4. Descriptions of the Control Bits within the Control Byte

BIT	NAME	DESCRIPTION
7	S	Start Bit. Control byte starts with first HIGH bit on DIN. A new control byte can start every 16th clock cycle in 12-bit conversion mode or every 12th clock cycle in 8-bit conversion mode.
6-4	A2-A0	Channel Select Bits. Along with the SER/DFR bit, these bits control the setting of the multiplexer input, switches, and reference inputs, see Tables I and II.
3	MODE	12-Bit/8-Bit Conversion Select Bit. This bit controls the number of bits for the following conversion: 12 bits (LOW) or 8 bits (HIGH).
2	$\overline{\text{SER/DFR}}$	Single-Ended/Differential Reference Select Bit. Along with bits A2-A0, this bit controls the setting of the multiplexer input, switches, and reference inputs, see Tables I and II.
1-0	PD1-PD0	Power-Down Mode Select Bits. See Table V for details.

Table 5. Power-Down Selection

PD1	PD0	PENIRQ	DESCRIPTION
0	0	Enabled	Power-down between conversions. When each conversion is finished, the converter enters a low power mode. At the start of the next conversion, the device instantly powers up to full power. There is no need for additional delays to assure full operation and the very first conversion is valid. The Y– switch is on while in power-down.
0	1	Disabled	Same as mode 00, except PENIRQ is disabled. The Y– switch is off while in power-down mode.
1	0	Disabled	Reserved for future use.
1	1	Disabled	No power-down between conversions, device is always powered.

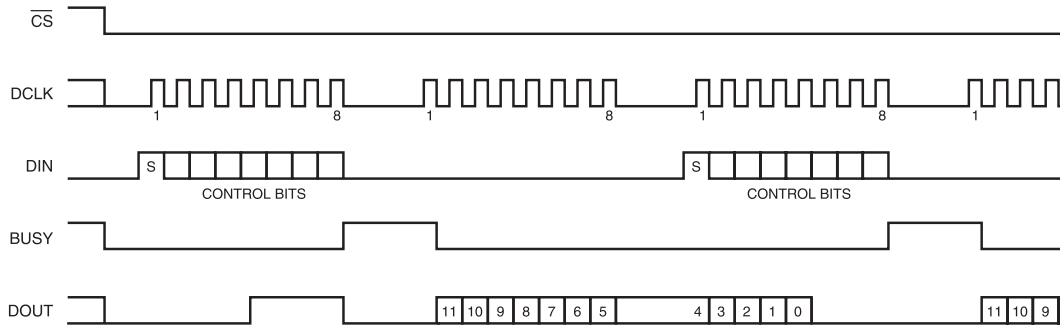


Figure 17. Conversion Timing, 16 Clocks per Conversion, 8-bit Bus Interface. No DCLK Delay Required with Dedicated Serial Port.

This is possible provided that each conversion completes within 1.6ms of starting. Otherwise, the signal that has been captured on the input sample-and-hold may droop enough to affect the conversion result. Note that the ADS7843-Q1 is fully powered while other serial communications are taking place during a conversion.

Digital Timing

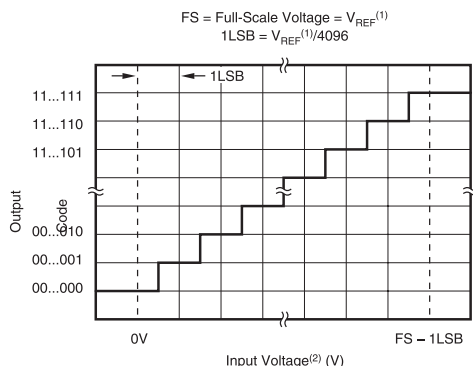
Figure 19 and Table 6 provide detailed timing for the digital interface of the ADS7843-Q1.

Table 6. Timing Specifications
 (+V_{CC} = +2.7V and Above, T_A = –40°C to +85°C, C_{LOAD} = 50pF).

SYMBOL	DESCRIPTION	MIN	MAX	UNITS
t _{ACQ}	Acquisition Time	1.5		μs
t _{DS}	DIN Valid Prior to DCLK Rising	100		ns
t _{DH}	DIN Hold After DCLK HIGH	10		ns
t _{DO}	DCLK Falling to DOUT Valid		200	ns
t _{DV}	$\overline{\text{CS}}$ Falling to DOUT Enabled		200	ns
t _{TR}	$\overline{\text{CS}}$ Rising to DOUT Disabled		200	ns
t _{CSS}	$\overline{\text{CS}}$ Falling to First DCLK Rising	100		ns
t _{CSH}	$\overline{\text{CS}}$ Rising to DCLK Ignored	0		ns
t _{CH}	DCLK HIGH	200		ns
t _{CL}	DCLK LOW	200		ns
t _{BD}	DCLK Falling to BUSY Rising		200	ns
t _{BDV}	$\overline{\text{CS}}$ Falling to BUSY Enabled		200	ns
t _{BTR}	$\overline{\text{CS}}$ Rising to BUSY Disabled	200 200 200	200	ns ns ns

Data Format

The ADS7843-Q1 output data is in Straight Binary format, as shown in Figure 18. This figure shows the ideal output code for the given input voltage and does not include the effects of offset, gain, or noise.



NOTES: (1) Reference voltage at converter: +REF – (–REF). See Figure 2.
(2) Input voltage at converter, after multiplexer: +IN – (–IN). See Figure 2

Figure 18. Ideal Input Voltages and Output Codes

8-Bit Conversion

The ADS7843-Q1 provides an 8-bit conversion mode that can be used when faster throughput is needed and the digital result is not as critical. By switching to the 8-bit mode, a conversion is complete four clock cycles earlier. This could be used in conjunction with serial interfaces that provide 12-bit transfers or two conversions could be accomplished with three 8-bit transfers. Not only does this shorten each conversion by four bits (25% faster throughput), but each conversion can actually occur at a faster clock rate. This is because the internal settling time of the ADS7843-Q1 is not as critical—settling to better than 8 bits is all that is needed. The clock rate can be as much as 50% faster. The faster clock rate and fewer clock cycles combine to provide a 2x increase in conversion rate.

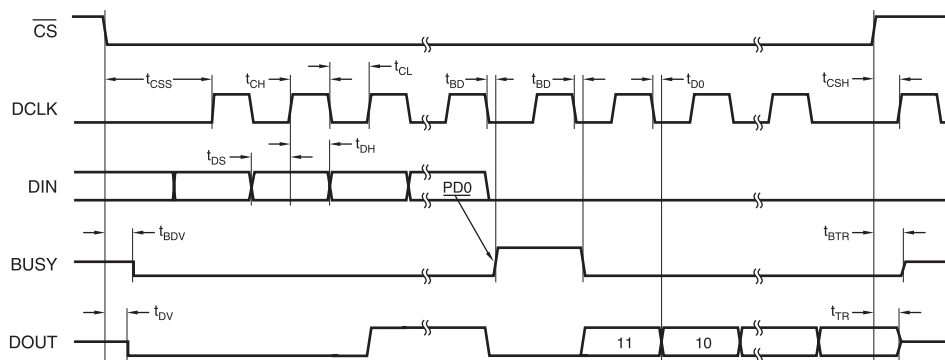


Figure 19. Detailed Timing Diagram

POWER DISSIPATION

There are two major power modes for the ADS7843-Q1: full power (PD1-PD0 = 11B) and auto power-down (PD1-PD0 = 00B). When operating at full speed and 16 clocks per conversion (see Figure 17), the ADS7843-Q1 spends most of its time acquiring or converting. There is little time for auto power-down, assuming that this mode is active. Therefore, the difference between full power mode and auto power-

down is negligible. If the conversion rate is decreased by simply slowing the frequency of the DCLK input, the two modes remain approximately equal. However, if the DCLK frequency is kept at the maximum rate during a conversion but conversions are simply done less often, the difference between the two modes is dramatic.

Figure 20 shows the difference between reducing the DCLK frequency (“scaling” DCLK to match the conversion rate) or maintaining DCLK at the highest frequency and reducing the number of conversions per second. In the later case, the converter spends an increasing percentage of its time in power-down mode (assuming the auto power-down mode is active).

Another important consideration for power dissipation is the reference mode of the converter. In the single-ended reference mode, the converter’s internal switches are on only when the analog input voltage is being acquired (see Figure 16). Thus, the external device, such as a resistive touch screen, is only powered during the acquisition period. In the differential reference mode, the external device must be powered throughout the acquisition and conversion periods (see Figure 16). If the conversion rate is high, this could substantially increase power dissipation.

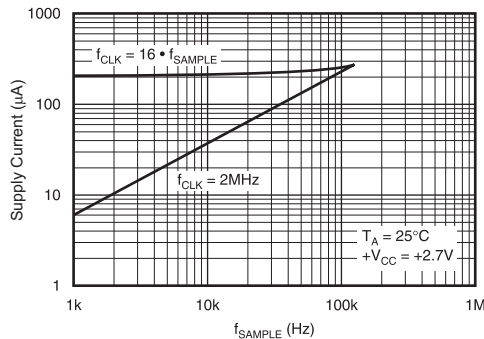


Figure 20. Supply Current versus Directly Scaling the Frequency of DCLK with Sample Rate or Keeping DCLK at the Maximum Possible Frequency

LAYOUT

The following layout suggestions should provide the most optimum performance from the ADS7843-Q1. However, many portable applications have conflicting requirements concerning power, cost, size, and weight. In general, most portable devices have fairly “clean” power and grounds because most of the internal components are very low power. This situation would mean less bypassing for the converter’s power and less concern regarding grounding. Still, each situation is unique and the following suggestions should be reviewed carefully.

For optimum performance, care should be taken with the physical layout of the ADS7843-Q1 circuitry. The basic SAR architecture is sensitive to glitches or sudden changes on the power supply, reference, ground connections, and digital inputs that occur just

prior to latching the output of the analog comparator. Thus, during any single conversion for an ‘n-bit’ SAR converter, there are n ‘windows’ in which large external transient voltages can easily affect the conversion result. Such glitches might originate from switching power supplies, nearby digital logic, and high-power devices. The degree of error in the digital output depends on the reference voltage, layout, and the exact timing of the external event. The error can change if the external event changes in time with respect to the DCLK input.

With this in mind, power to the ADS7843-Q1 should be clean and well bypassed. A 0.1µF ceramic bypass capacitor should be placed as close to the device as possible. A 1µF to 10µF capacitor may also be needed if the impedance of the connection between +VCC and the power supply is high. The reference should be similarly bypassed with a 0.1µF capacitor. If the reference voltage originates from an op amp, make sure that it can drive the bypass capacitor without oscillation. The ADS7843-Q1 draws very little current from the reference on average, but it does place larger demands on the reference circuitry over short periods of time (on each rising edge of DCLK during a conversion).

The ADS7843-Q1 architecture offers no inherent rejection of noise or voltage variation in regards to the reference input. This is of particular concern when the reference input is tied to the power supply. Any noise and ripple from the supply will appear directly in the digital results. While high frequency noise can be filtered out, voltage variation due to line frequency (50Hz or 60Hz) can be difficult to remove.

The GND pin should be connected to a clean ground point. In many cases, this will be the “analog” ground. Avoid connections which are too near the grounding point of a microcontroller or digital signal processor. If needed, run a ground trace directly from the converter to the power-supply entry or battery connection point. The ideal layout will include an analog ground plane dedicated to the converter and associated analog circuitry.

In the specific case of use with a resistive touch screen, care should be taken with the connection between the converter and the touch screen. Since resistive touch screens have fairly low resistance, the interconnection should be as short and robust as possible. Longer connections will be a source of error, much like the on-resistance of the internal switches. Likewise, loose connections can be a source of error when the contact resistance changes with flexing or vibrations.

REVISION HISTORY

Changes from Original (March, 2011) to Revision A	Page
<hr/> <ul style="list-style-type: none">• Changed top-side marking from ADS7843Q to S7843Q.	1

PACKAGING INFORMATION

Orderable part number	Status (1)	Material type (2)	Package Pins	Package qty Carrier	RoHS (3)	Lead finish/ Ball material (4)	MSL rating/ Peak reflow (5)	Op temp (°C)	Part marking (6)
ADS7843IDBQRQ1	Active	Production	SSOP (DBQ) 16	2500 LARGE T&R	Yes	NIPDAU	Level-3-260C-168 HR	-40 to 125	S7843Q
ADS7843IDBQRQ1.B	Active	Production	null (null)	2500 LARGE T&R	-	NIPDAU	Level-3-260C-168 HR	See ADS7843IDBQRQ1	S7843Q

(1) **Status:** For more details on status, see our [product life cycle](#).

(2) **Material type:** When designated, preproduction parts are prototypes/experimental devices, and are not yet approved or released for full production. Testing and final process, including without limitation quality assurance, reliability performance testing, and/or process qualification, may not yet be complete, and this item is subject to further changes or possible discontinuation. If available for ordering, purchases will be subject to an additional waiver at checkout, and are intended for early internal evaluation purposes only. These items are sold without warranties of any kind.

(3) **RoHS values:** Yes, No, RoHS Exempt. See the [TI RoHS Statement](#) for additional information and value definition.

(4) **Lead finish/Ball material:** Parts may have multiple material finish options. Finish options are separated by a vertical ruled line. Lead finish/Ball material values may wrap to two lines if the finish value exceeds the maximum column width.

(5) **MSL rating/Peak reflow:** The moisture sensitivity level ratings and peak solder (reflow) temperatures. In the event that a part has multiple moisture sensitivity ratings, only the lowest level per JEDEC standards is shown. Refer to the shipping label for the actual reflow temperature that will be used to mount the part to the printed circuit board.

(6) **Part marking:** There may be an additional marking, which relates to the logo, the lot trace code information, or the environmental category of the part.

Multiple part markings will be inside parentheses. Only one part marking contained in parentheses and separated by a "-" will appear on a part. If a line is indented then it is a continuation of the previous line and the two combined represent the entire part marking for that device.

Important Information and Disclaimer: The information provided on this page represents TI's knowledge and belief as of the date that it is provided. TI bases its knowledge and belief on information provided by third parties, and makes no representation or warranty as to the accuracy of such information. Efforts are underway to better integrate information from third parties. TI has taken and continues to take reasonable steps to provide representative and accurate information but may not have conducted destructive testing or chemical analysis on incoming materials and chemicals. TI and TI suppliers consider certain information to be proprietary, and thus CAS numbers and other limited information may not be available for release.

In no event shall TI's liability arising out of such information exceed the total purchase price of the TI part(s) at issue in this document sold by TI to Customer on an annual basis.

OTHER QUALIFIED VERSIONS OF ADS7843-Q1 :

- Catalog : [ADS7843](#)

NOTE: Qualified Version Definitions:

- Catalog - TI's standard catalog product

TAPE AND REEL INFORMATION



QUADRANT ASSIGNMENTS FOR PIN 1 ORIENTATION IN TAPE



*All dimensions are nominal

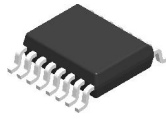
Device	Package Type	Package Drawing	Pins	SPQ	Reel Diameter (mm)	Reel Width W1 (mm)	A0 (mm)	B0 (mm)	K0 (mm)	P1 (mm)	W (mm)	Pin1 Quadrant
ADS7843IDBQRQ1	SSOP	DBQ	16	2500	330.0	12.4	6.4	5.2	2.1	8.0	12.0	Q1

TAPE AND REEL BOX DIMENSIONS



*All dimensions are nominal

Device	Package Type	Package Drawing	Pins	SPQ	Length (mm)	Width (mm)	Height (mm)
ADS7843IDBQRQ1	SSOP	DBQ	16	2500	367.0	367.0	35.0

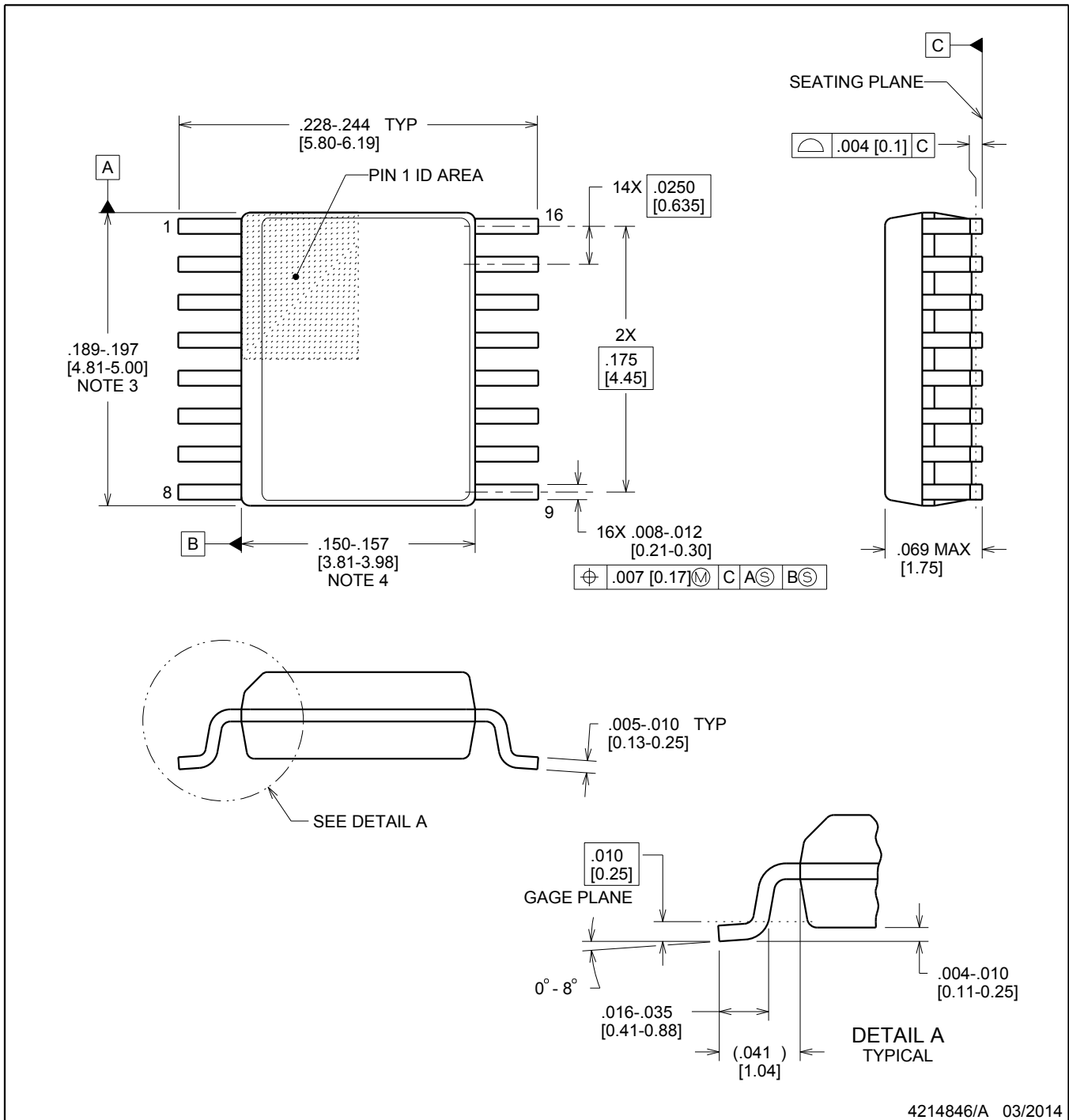


PACKAGE OUTLINE

DBQ0016A

SSOP - 1.75 mm max height

SHRINK SMALL-OUTLINE PACKAGE



NOTES:

1. Linear dimensions are in inches [millimeters]. Dimensions in parenthesis are for reference only. Controlling dimensions are in inches. Dimensioning and tolerancing per ASME Y14.5M.
2. This drawing is subject to change without notice.
3. This dimension does not include mold flash, protrusions, or gate burrs. Mold flash, protrusions, or gate burrs shall not exceed .006 inch, per side.
4. This dimension does not include interlead flash.
5. Reference JEDEC registration MO-137, variation AB.

EXAMPLE BOARD LAYOUT

DBQ0016A

SSOP - 1.75 mm max height

SHRINK SMALL-OUTLINE PACKAGE



LAND PATTERN EXAMPLE
SCALE:8X



SOLDER MASK DETAILS

4214846/A 03/2014

NOTES: (continued)

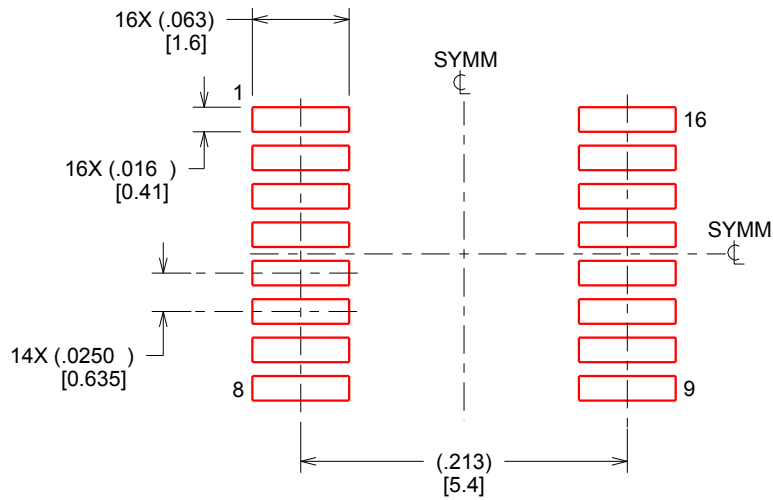
- 6. Publication IPC-7351 may have alternate designs.
- 7. Solder mask tolerances between and around signal pads can vary based on board fabrication site.

EXAMPLE STENCIL DESIGN

DBQ0016A

SSOP - 1.75 mm max height

SHRINK SMALL-OUTLINE PACKAGE



SOLDER PASTE EXAMPLE
BASED ON .005 INCH [0.127 MM] THICK STENCIL
SCALE:8X

4214846/A 03/2014

NOTES: (continued)

- 8. Laser cutting apertures with trapezoidal walls and rounded corners may offer better paste release. IPC-7525 may have alternate design recommendations.
- 9. Board assembly site may have different recommendations for stencil design.

IMPORTANT NOTICE AND DISCLAIMER

TI PROVIDES TECHNICAL AND RELIABILITY DATA (INCLUDING DATA SHEETS), DESIGN RESOURCES (INCLUDING REFERENCE DESIGNS), APPLICATION OR OTHER DESIGN ADVICE, WEB TOOLS, SAFETY INFORMATION, AND OTHER RESOURCES "AS IS" AND WITH ALL FAULTS, AND DISCLAIMS ALL WARRANTIES, EXPRESS AND IMPLIED, INCLUDING WITHOUT LIMITATION ANY IMPLIED WARRANTIES OF MERCHANTABILITY, FITNESS FOR A PARTICULAR PURPOSE OR NON-INFRINGEMENT OF THIRD PARTY INTELLECTUAL PROPERTY RIGHTS.

These resources are intended for skilled developers designing with TI products. You are solely responsible for (1) selecting the appropriate TI products for your application, (2) designing, validating and testing your application, and (3) ensuring your application meets applicable standards, and any other safety, security, regulatory or other requirements.

These resources are subject to change without notice. TI grants you permission to use these resources only for development of an application that uses the TI products described in the resource. Other reproduction and display of these resources is prohibited. No license is granted to any other TI intellectual property right or to any third party intellectual property right. TI disclaims responsibility for, and you will fully indemnify TI and its representatives against, any claims, damages, costs, losses, and liabilities arising out of your use of these resources.

TI's products are provided subject to [TI's Terms of Sale](#) or other applicable terms available either on [ti.com](https://www.ti.com) or provided in conjunction with such TI products. TI's provision of these resources does not expand or otherwise alter TI's applicable warranties or warranty disclaimers for TI products.

TI objects to and rejects any additional or different terms you may have proposed.

Mailing Address: Texas Instruments, Post Office Box 655303, Dallas, Texas 75265

Copyright © 2025, Texas Instruments Incorporated