

# CC2340R5 SimpleLink™ Bluetooth® 5.3 Low Energy Wireless MCU

## 1 Features

### Wireless microcontroller

- Optimized 48-MHz Arm® Cortex®-M0+ processor
- 512 KB of in-system programmable flash
- 12 KB of ROM for bootloader and drivers
- 36 KB of ultra-low leakage SRAM. Full RAM retention in standby mode
- 2.4 GHz RF transceiver compatible with Bluetooth® 5.3 Low Energy
- Integrated balun
- Supports over-the-air upgrade (OTA)
- Serial Wire Debug (SWD)

### Low power consumption

- MCU consumption:
  - 2.6 mA active mode, CoreMark®
  - 53 µA/MHz running CoreMark®
  - < 710 nA standby mode, RTC, 36 KB RAM
  - 150 nA shutdown mode, wake-up on pin
- Radio Consumption:
  - 5.3 mA RX
  - 5.1 mA TX at 0 dBm
  - < 11.0 mA TX at +8 dBm

### Wireless protocol support

- [Bluetooth® 5.3 Low Energy](#)
- [Zigbee®](#)<sup>1</sup>
- [SimpleLink™ TI 15.4-stack](#)<sup>1</sup>
- Proprietary systems

### High-performance radio

- -102 dBm for Bluetooth® Low Energy 125 kbps
- -96.5 dBm for Bluetooth® Low Energy 1 Mbps
- Output power up to +8 dBm with temperature compensation

### Regulatory compliance

- Suitable for systems targeting compliance with these standards:
  - EN 300 328 (Europe)
  - FCC CFR47 Part 15
  - ARIB STD-T66 (Japan)

### MCU peripherals

- Up to 26 I/O Pads
  - 2 IO pads SWD, muxed with GPIOs
  - 2 IO pads LFXT, muxed with GPIOs
  - Up to 22 DIOs (analog or digital IOs)

- 3× 16-bit and 1× 24-bit general-purpose timers, quadrature decode mode support
- 12-bit ADC, 1.2 Msps with external reference, 267 kpsps with internal reference, up to 12 external ADC inputs
- 1× low power comparator
- 1× UART
- 1× SPI
- 1× I<sup>2</sup>C
- Real-time clock (RTC)
- Integrated temperature and battery monitor
- Watchdog timer

### Security enablers

- AES 128-bit cryptographic accelerator
- Random number generator from on-chip analog noise

### Development tools and software

- LP-EM-CC2340R5 LaunchPad Development Kit
- SimpleLink™ CC23xx Software Development Kit (SDK)
- [SmartRF™ Studio](#) for simple radio configuration
- [SysConfig](#) system configuration tool

### Operating range

- On-chip buck DC/DC converter
- 1.71-V to 3.8-V single supply voltage
- T<sub>j</sub>: -40 to +125°C

### RoHS-compliant package

- 5-mm × 5-mm RKP QFN40 (26 GPIOs)
- 4-mm × 4-mm RGE QFN24 (12 GPIOs)

<sup>1</sup> Available in a future SDK



## 2 Applications

- **Medical**
  - Home healthcare – [blood glucose monitors](#), [blood pressure monitor](#), [CPAP machine](#), [electronic thermometer](#)
  - Patient monitoring & diagnostics – [medical sensor patches](#)
  - Personal care & Fitness – [electric toothbrush](#), [wearable fitness & activity monitor](#)
- **Building automation**
  - Building security systems – [motion detector](#), [electronic smart lock](#), [door and window sensor](#), [garage door system](#), [gateway](#)
  - HVAC – [thermostat](#), [wireless environmental sensor](#)
  - Fire safety system – [smoke and heat detector](#)
  - Video surveillance – [IP network camera](#)
- **Lighting**
  - LED luminaire
  - Lighting Control – [daylight sensor](#), [lighting sensor](#), [wireless control](#)
- **Factory automation and control**
- **Retail automation & payment – Electronic point of sale**
  - [Electronic shelf label](#)
- **Communication equipment**
  - [Wired networking](#)
  - [wireless LAN or Wi-Fi access points](#), [edge router](#)
- **Personal electronics**
  - [Connected peripherals](#) – [consumer wireless module](#), [pointing devices](#), [keyboards and keypads](#)
  - [Gaming](#) – [electronic and robotic toys](#)
  - [Wearables \(non-medical\)](#) – [smart trackers](#), [smart clothing](#)

## 3 Description

The SimpleLink™ CC2340R5 device is a 2.4 GHz wireless microcontroller (MCU) targeting [Bluetooth® 5.3 Low Energy](#) and Proprietary 2.4 GHz applications. The device is optimized for low-power wireless communication with on-chip dual image Over the Air Download (OAD) support <sup>2</sup> in [Building automation](#) (wireless sensors, lighting control, beacons), [asset tracking](#), [medical](#), retail EPOS (electronic point of sale), ESL (electronic shelf label), and [Personal electronics](#) (toys, HID, stylus pens) markets. highlighted features of this device include:

- Support for [Bluetooth® 5](#) features: High Speed Mode (2 Mbps PHY), Long Range (LE Coded 125 kbps and 500 kbps PHYs), Privacy 1.2.1 and Channel Selection Algorithm #2, as well as backwards compatibility and support for key features from the [Bluetooth® 4.2](#) and earlier Low Energy specifications.
- Fully-qualified [Bluetooth® 5.3](#) software protocol stack included with the [SimpleLink™ CC23xx Software Development Kit \(SDK\)](#).
- Zigbee® protocol stack support in the [SimpleLink™ CC23xx Software Development Kit \(SDK\)](#) <sup>2</sup>
- Ultra-low standby current less than 0.71 µA with RTC operational and full RAM retention that enables significant battery life extension especially for applications with longer sleep intervals.
- Integrated balun for reduced Bill-of-Material (BOM) board layout
- Excellent radio sensitivity and robustness (selectivity and blocking) performance for [Bluetooth® Low Energy](#) (-102 dBm for 125 kbps LE Coded PHY, with integrated balun).

The CC2340R5 device is part of the SimpleLink™ MCU platform, which consists of Wi-Fi®, [Bluetooth Low Energy](#), Thread, Zigbee, Sub-1 GHz MCUs, and host MCUs that all share a common, easy-to-use development environment with a single core software development kit (SDK) and rich tool set. A one-time integration of the SimpleLink™ platform enables you to add any combination of the portfolio's devices into your design, allowing 100 percent code reuse when your design requirements change. For more information, visit [SimpleLink™ MCU platform](#).

<sup>2</sup> Available in a future SDK

### Device Information

| PART NUMBER <sup>(1)</sup> | PACKAGE | BODY SIZE (NOM)   |
|----------------------------|---------|-------------------|
| CC2340R52E0RGER            | QFN24   | 4.00 mm × 4.00 mm |
| CC2340R52E0RKPR            | QFN40   | 5.00 mm × 5.00 mm |

(1) For the most current part, package, and ordering information for all available devices, see the Package Option Addendum in [Section 12](#), or see the [TI website](#).

## 4 Functional Block Diagram

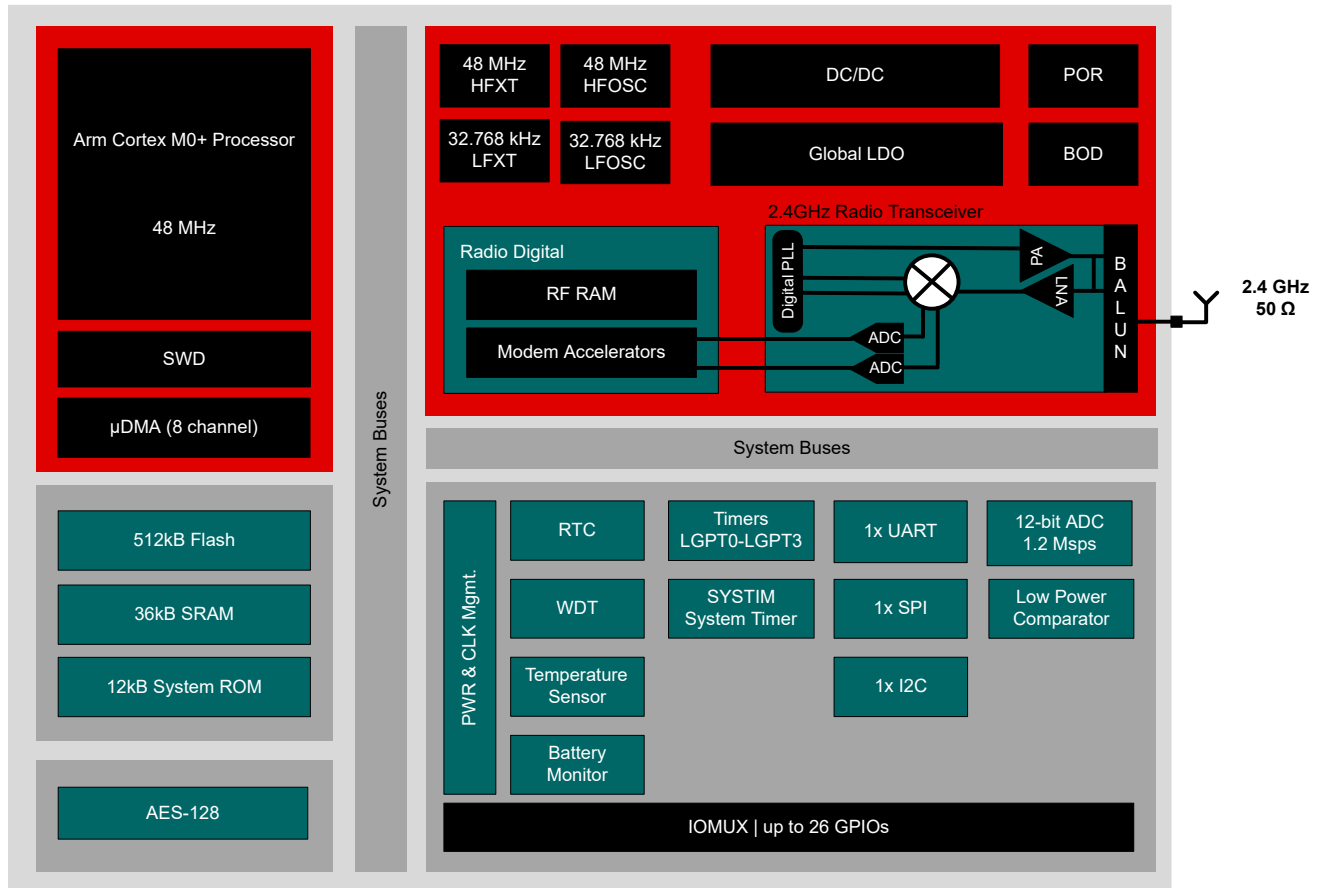


Figure 4-1. CC2340R5 Block Diagram

## Table of Contents

|   |    |  |    |
|---|----|--|----|
| <b>1 Features</b> .....   | 1  | 8.15 Bluetooth Low Energy - Transmit (TX).....                       | 29 |
| <b>2 Applications</b> .....                                       | 2  | 8.16 Proprietary Radio Modes.....                                    | 30 |
| <b>3 Description</b> .....  | 2  | 8.17 2.4 GHz RX/TX CW.....   | 31 |
| <b>4 Functional Block Diagram</b> .....                           | 3  | 8.18 Timing and Switching Characteristics.....                       | 31 |
| <b>5 Revision History</b> .....                                   | 4  | 8.19 Peripheral Characteristics.....                                 | 33 |
| <b>6 Device Comparison</b> .....                                  | 5  | <b>9 Detailed Description</b> .....                                  | 42 |
| <b>7 Pin Configuration and Functions</b> .....                    | 6  | 9.1 Overview.....  | 42 |
| 7.1 Pin Diagram – RKP Package (Top View).....                     | 6  | 9.2 System CPU.....  | 42 |
| 7.2 Signal Descriptions – RKP Package.....                        | 7  | 9.3 Radio (RF Core).....   | 43 |
| 7.3 Connections for Unused Pins and Modules –<br>RKP Package..... | 8  | 9.4 Memory.....  | 43 |
| 7.4 Pin Diagram – RGE Package (Top View).....                     | 8  | 9.5 Cryptography.....  | 44 |
| 7.5 Signal Descriptions – RGE Package.....                        | 9  | 9.6 Timers.....  | 44 |
| 7.6 Connections for Unused Pins and Modules –<br>RGE Package..... | 10 | 9.7 Serial Peripherals and I/O.....                                  | 45 |
| 7.7 RKP and RGE Peripheral Pin Mapping.....                       | 11 | 9.8 Battery and Temperature Monitor.....                             | 46 |
| 7.8 RKP and RGE Peripheral Signal Descriptions.....               | 16 | 9.9 $\mu$ DMA.....   | 46 |
| <b>8 Specifications</b> .....                                     | 21 | 9.10 Debug.....  | 46 |
| 8.1 Absolute Maximum Ratings.....                                 | 21 | 9.11 Power Management.....   | 47 |
| 8.2 ESD Ratings.....  | 21 | 9.12 Clock Systems.....  | 48 |
| 8.3 Recommended Operating Conditions.....                         | 21 | 9.13 Network Processor.....  | 48 |
| 8.4 DCDC.....   | 21 | <b>10 Application, Implementation, and Layout</b> .....              | 49 |
| 8.5 Global LDO (GLDO).....  | 21 | 10.1 Reference Designs.....  | 49 |
| 8.6 Power Supply and Modules.....                                 | 22 | 10.2 Junction Temperature Calculation.....                           | 50 |
| 8.7 Battery Monitor.....  | 22 | <b>11 Device and Documentation Support</b> .....                     | 51 |
| 8.8 Temperature Sensor.....                                       | 22 | 11.1 Device Nomenclature.....  | 51 |
| 8.9 Power Consumption - Power Modes.....                          | 23 | 11.2 Tools and Software.....   | 51 |
| 8.10 Power Consumption - Radio Modes.....                         | 24 | 11.3 Documentation Support.....                                      | 54 |
| 8.11 Nonvolatile (Flash) Memory Characteristics.....              | 24 | 11.4 Support Resources.....  | 54 |
| 8.12 Thermal Resistance Characteristics.....                      | 24 | 11.5 Trademarks.....   | 54 |
| 8.13 RF Frequency Bands.....                                      | 25 | 11.6 Electrostatic Discharge Caution.....                            | 55 |
| 8.14 Bluetooth Low Energy - Receive (RX).....                     | 26 | 11.7 Glossary.....   | 55 |
|   |    | <b>12 Mechanical, Packaging, and Orderable<br/>Information</b> ..... | 56 |

## 5 Revision History

NOTE: Page numbers for previous revisions may differ from page numbers in the current version.

### Changes from April 31, 2023 to June 30, 2023 (from Revision B (April 2023) to Revision C (June 2023))

|  | Page |
|--|------|
| • Removed preview status for 4-mm × 4-mm RGE QFN24 package.....            | 1    |
| • Corrected links for applications.....                                    | 2    |
| • Corrected pin pitch in pin diagram title.....                            | 6    |
| • Corrected pin pitch in pin diagram title.....                            | 8    |
| • Corrected signal name column for DIO19.....                              | 11   |
| • Changed CDM ESD value to +/- 500 V in <a href="#">ESD Ratings</a> .....  | 21   |
| • Clarified that HFOSC tracks HFXT in Table 9-2 and is off in Standby..... | 47   |
| • Corrected temperature calculation example.....                           | 50   |

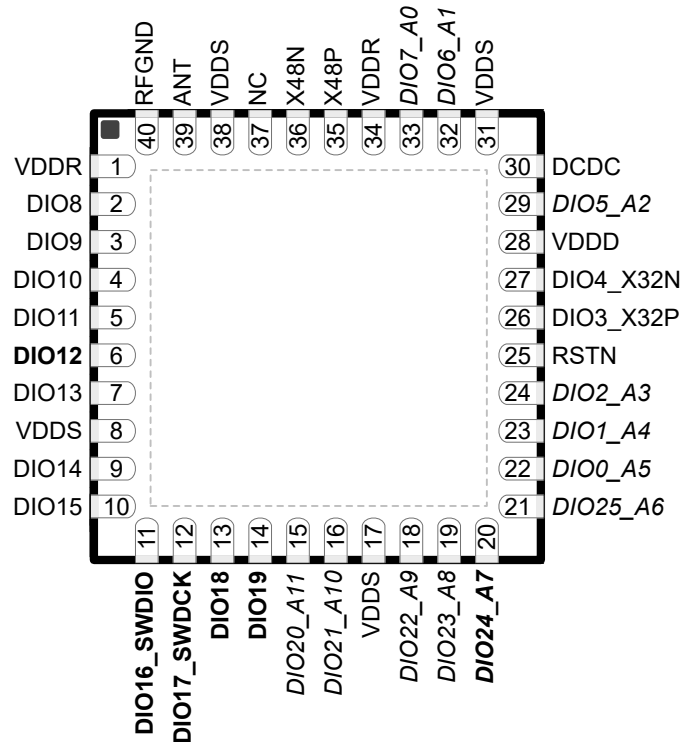
## 6 Device Comparison

| Device                  | RADIO SUPPORT   |              |                |         |          |               |        |        |               |            | FLASH (KB) | RAM + Cache (KB) | GPIO  | PACKAGE SIZE       |                    |                    |                    |                    |   |
|-------------------------|-----------------|--------------|----------------|---------|----------|---------------|--------|--------|---------------|------------|------------|------------------|-------|--------------------|--------------------|--------------------|--------------------|--------------------|---|
|                         | Sub-1 GHz Prop. | 2.4GHz Prop. | Wireless M-Bus | WI-SUN® | Sidewalk | Bluetooth® LE | ZigBee | Thread | Multiprotocol | +20 dBm PA |            |                  |       | 4 X 4 mm VQFN (24) | 4 X 4 mm VQFN (32) | 5 X 5 mm VQFN (32) | 5 X 5 mm VQFN (40) | 7 X 7 mm VQFN (48) |   |
| CC1310                  | X               |              | X              |         |          |               |        |        |               |            | 32-128     | 16-20 + 8        | 10-30 |                    | X                  | X                  |                    | X                  |   |
| CC1311R3                | X               |              | X              |         |          |               |        |        |               |            | 352        | 32 + 8           | 22-30 |                    |                    |                    |                    | X                  | X |
| CC1311P3                | X               |              | X              |         |          |               |        |        |               | X          | 352        | 32 + 8           | 26    |                    |                    |                    |                    |                    | X |
| CC1312R                 | X               |              | X              | X       |          |               |        |        |               |            | 352        | 80 + 8           | 30    |                    |                    |                    |                    |                    | X |
| CC1312R7                | X               |              | X              | X       | X        |               |        |        | X             |            | 704        | 144 + 8          | 30    |                    |                    |                    |                    |                    | X |
| CC1352R                 | X               | X            | X              | X       |          | X             | X      | X      | X             |            | 352        | 80 + 8           | 28    |                    |                    |                    |                    |                    | X |
| CC1352P                 | X               | X            | X              | X       |          | X             | X      | X      | X             | X          | 352        | 80 + 8           | 26    |                    |                    |                    |                    |                    | X |
| CC1352P7                | X               | X            | X              | X       | X        | X             | X      | X      | X             | X          | 704        | 144 + 8          | 26    | X                  |                    |                    |                    |                    | X |
| CC2340R5 <sup>(1)</sup> |                 | X            |                |         |          | X             | X      | X      |               |            | 512        | 36               | 12-26 | X                  |                    |                    |                    | X                  |   |
| CC2640R2F               |                 |              |                |         |          | X             |        |        |               |            | 128        | 20 + 8           | 10-31 |                    | X                  | X                  |                    |                    | X |
| CC2642R                 |                 |              |                |         |          | X             |        |        |               |            | 352        | 80 + 8           | 31    |                    |                    |                    |                    |                    | X |
| CC2642R-Q1              |                 |              |                |         |          | X             |        |        |               |            | 352        | 80 + 8           | 31    |                    |                    |                    |                    |                    | X |
| CC2651R3                |                 | X            |                |         |          | X             | X      |        |               |            | 352        | 32 + 8           | 23-31 |                    |                    |                    |                    | X                  | X |
| CC2651P3                |                 | X            |                |         |          | X             | X      |        |               | X          | 352        | 32 + 8           | 22-26 |                    |                    |                    |                    | X                  | X |
| CC2652R                 |                 | X            |                |         |          | X             | X      | X      | X             |            | 352        | 80 + 8           | 31    |                    |                    |                    |                    |                    | X |
| CC2652RB                |                 | X            |                |         |          | X             | X      | X      | X             |            | 352        | 80 + 8           | 31    |                    |                    |                    |                    |                    | X |
| CC2652R7                |                 | X            |                |         |          | X             | X      | X      | X             |            | 704        | 144 + 8          | 31    |                    |                    |                    |                    |                    | X |
| CC2652P                 |                 | X            |                |         |          | X             | X      | X      | X             | X          | 352        | 80 + 8           | 26    |                    |                    |                    |                    |                    | X |
| CC2652P7                |                 | X            |                |         |          | X             | X      | X      | X             | X          | 704        | 144 + 8          | 26    |                    |                    |                    |                    |                    | X |
| CC2662R-Q1              |                 | X            |                |         |          |               |        |        |               |            | 352        | 80 + 8           | 31    |                    |                    |                    |                    |                    | X |

(1) ZigBee and Thread support enabled by future software update

## 7 Pin Configuration and Functions

### 7.1 Pin Diagram – RKP Package (Top View)



**Figure 7-1. RKP (5-mm × 5-mm) Pinout, 0.5-mm Pitch (Top View)**

The following I/O pins marked in [Figure 7-1](#) in **bold** have high-drive capabilities:

- Pin 6, **DIO12**
- Pin 11, **DIO16\_SWDIO**
- Pin 12, **DIO17\_SWDCCK**
- Pin 13, **DIO18**
- Pin 14, **DIO19**
- Pin 20, **DIO24\_A7**

The following I/O pins marked in [Figure 7-1](#) in *italics* have analog capabilities:

- Pin 15, *DIO20\_A11*
- Pin 16, *DIO21\_A10*
- Pin 18, *DIO22\_A9*
- Pin 19, *DIO23\_A8*
- Pin 20, *DIO24\_A7*
- Pin 21, *DIO25\_A6*
- Pin 22, *DIO0\_A5*
- Pin 23, *DIO1\_A4*
- Pin 24, *DIO2\_A3*
- Pin 29, *DIO5\_A2*
- Pin 32, *DIO6\_A1*
- Pin 33, *DIO7\_A0*

## 7.2 Signal Descriptions – RKP Package

**Table 7-1. Signal Descriptions – RKP Package**

| PIN          |     | I/O | TYPE              | DESCRIPTION   |
|--------------|-----|-----|-------------------|---|
| NAME         | NO. |     |                   |   |
| EGP          | —   | —   | GND               | Ground – exposed ground pad <sup>(1)</sup>  |
| VDDR         | 1   | —   | Power             | Internal supply, must be powered from the internal DC/DC converter or the internal LDO <sup>(2) (3) (4)</sup>   |
| DIO8         | 2   | I/O | Digital           | GPIO  |
| DIO9         | 3   | I/O | Digital           | GPIO  |
| DIO10        | 4   | I/O | Digital           | GPIO  |
| DIO11        | 5   | I/O | Digital           | GPIO  |
| DIO12        | 6   | I/O | Digital           | GPIO, high-drive capability   |
| DIO13        | 7   | I/O | Digital           | GPIO  |
| VDDS         | 8   | —   | Power             | 1.71-V to 3.8-V DIO supply <sup>(5)</sup>   |
| DIO14        | 9   | I/O | Digital           | GPIO  |
| DIO15        | 10  | I/O | Digital           | GPIO  |
| DIO16_SWDIO  | 11  | I/O | Digital           | GPIO, SWD interface: mode select or SWDIO, high-drive capability  |
| DIO17_SWDCCK | 12  | I/O | Digital           | GPIO, SWD interface: clock, high-drive capability   |
| DIO18        | 13  | I/O | Digital           | GPIO, high-drive capability   |
| DIO19        | 14  | I/O | Digital           | GPIO, high-drive capability   |
| DIO20_A11    | 15  | I/O | Digital or Analog | GPIO, analog capability   |
| DIO21_A10    | 16  | I/O | Digital or Analog | GPIO, analog capability   |
| VDDS         | 17  | —   | Power             | 1.71-V to 3.8-V DIO supply <sup>(5)</sup>   |
| DIO22_A9     | 18  | I/O | Digital or Analog | GPIO, analog capability   |
| DIO23_A8     | 19  | I/O | Digital or Analog | GPIO, analog capability   |
| DIO24_A7     | 20  | I/O | Digital or Analog | GPIO, Analog capability, high-drive capability  |
| DIO25_A6     | 21  | I/O | Digital or Analog | GPIO, analog capability   |
| DIO0_A5      | 22  | I/O | Digital or Analog | GPIO, analog capability   |
| DIO1_A4      | 23  | I/O | Digital or Analog | GPIO, analog capability   |
| DIO2_A3      | 24  | I/O | Digital or Analog | GPIO, analog capability   |
| RSTN         | 25  | I   | Digital           | Reset, active low. No internal pullup resistor  |
| DIO3_X32P    | 26  | I/O | Digital or Analog | GPIO, 32-kHz crystal oscillator pin 1, Optional TCXO input  |
| DIO4_X32N    | 27  | I/O | Digital or Analog | GPIO, 32-kHz crystal oscillator pin 2   |
| VDDD         | 28  | —   | Power             | For decoupling of internal 1.28-V regulated core-supply. Connect an external 1 $\mu$ F decoupling capacitor. <sup>(2)</sup>   |
| DIO5_A2      | 29  | I/O | Digital or Analog | GPIO, analog capability   |
| DCDC         | 30  | —   | Power             | Switching node of internal DC/DC converter <sup>(5)</sup>   |
| VDDS         | 31  | —   | Power             | 1.71-V to 3.8-V analog supply <sup>(5)</sup>  |
| DIO6_A1      | 32  | I/O | Digital or Analog | GPIO, analog capability   |
| DIO7_A0      | 33  | I/O | Digital or Analog | GPIO, analog capability   |
| VDDR         | 34  | —   | Power             | Internal supply, must be powered from the internal DC/DC converter or the internal LDO. Connect an external 10 $\mu$ F decoupling capacitor. <sup>(2) (3) (4)</sup> |
| X48P         | 35  | —   | Analog            | 48-MHz crystal oscillator pin 1   |
| X48N         | 36  | —   | Analog            | 48-MHz crystal oscillator pin 2   |
| NC           | 37  | —   | —                 | No Connect  |
| VDDS         | 38  | —   | Power             | 1.71-V to 3.8-V analog supply <sup>(5)</sup>  |
| ANT          | 39  | I/O | RF                | 2.4 GHz TX, RX  |

**Table 7-1. Signal Descriptions – RKP Package (continued)**

| PIN   |     | I/O | TYPE  | DESCRIPTION |
|-------|-----|-----|-------|-------------|
| NAME  | NO. |     |       |             |
| RFGND | 40  | —   | RFGND | RF Ground   |

- (1) EGP is the only non-RF ground connection for the device. Good electrical connection to PCB ground plane is required for proper device operation.
- (2) Do not supply external circuitry from this pin.
- (3) VDDR pins 1 and 34 must be tied together on the PCB.
- (4) Output from internal DC/DC and LDO is trimmed to 1.5 V.
- (5) For more details, see the technical reference manual listed in [Section 11.3](#).

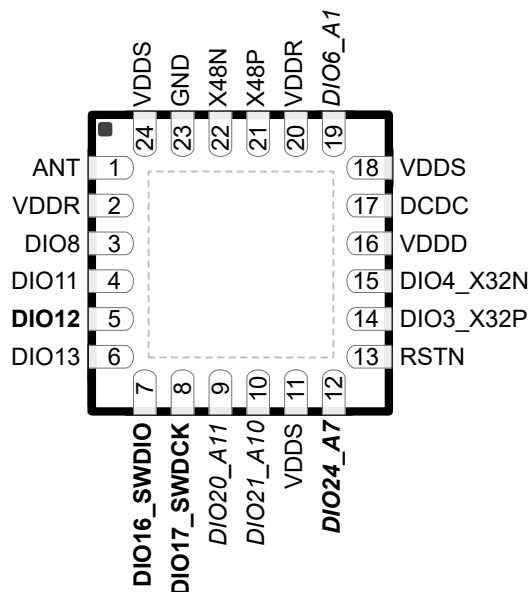
### 7.3 Connections for Unused Pins and Modules – RKP Package

**Table 7-2. Connections for Unused Pins – RKP Package**

| FUNCTION                       | SIGNAL NAME          | PIN NUMBER    | ACCEPTABLE PRACTICE <sup>(1)</sup> | PREFERRED PRACTICE <sup>(1)</sup> |
|--------------------------------|----------------------|---------------|------------------------------------|-----------------------------------|
| GPIO (digital)                 | DIO <sub>n</sub>     | 2–7           | NC, GND, or VDD5                   | NC                                |
|                                |                      | 9–10          |                                    |                                   |
|                                |                      | 13–14         |                                    |                                   |
| SWD                            | DIO16_SWDIO          | 11            | NC, GND, or VDD5                   | GND or VDD5                       |
|                                | DIO17_SWDCCK         | 12            | NC, GND, or VDD5                   | GND or VDD5                       |
| GPIO (digital or analog)       | DIO <sub>n</sub> _Am | 15–16         | NC, GND, or VDD5                   | NC                                |
|                                |                      | 18–24         |                                    |                                   |
|                                |                      | 29            |                                    |                                   |
|                                |                      | 32–33         |                                    |                                   |
| 32.768-kHz crystal             | DIO3_X32P            | 26            | NC or GND                          | NC                                |
|                                | DIO4_X32N            | 27            |                                    |                                   |
| DC/DC converter <sup>(2)</sup> | DCDC                 | 30            | NC                                 | NC                                |
|                                | VDD5                 | 8, 17, 31, 38 | VDD5                               | VDD5                              |

- (1) NC = No connect
- (2) When the DC/DC converter is not used, the inductor between DCDC and VDDR can be removed. VDDR must still be connected and the 10 µF DCDC capacitor must be kept on the VDDR net.

### 7.4 Pin Diagram – RGE Package (Top View)



**Figure 7-2. RGE (4-mm × 4-mm) Pinout, 0.5-mm Pitch(Top View)**



The following I/O pins marked in [Figure 7-2](#) in **bold** have high-drive capabilities:

- Pin 5, DIO12
- Pin 7, DIO16\_SWDIO
- Pin 8, DIO17\_SWDCK
- Pin 12, DIO24\_A7

The following I/O pins marked in [Figure 7-2](#) in *italics* have analog capabilities:

- Pin 9, DIO20\_A11
- Pin 10, DIO21\_A10
- Pin 12, DIO24\_A7
- Pin 19, DIO6\_A1

## 7.5 Signal Descriptions – RGE Package

**Table 7-3. Signal Descriptions – RGE Package**

| PIN         |     | I/O | TYPE              | DESCRIPTION  |
|-------------|-----|-----|-------------------|--|
| NAME        | NO. |     |                   |  |
| EGP         | —   | —   | GND               | Ground – exposed ground pad <sup>(1)</sup>   |
| ANT         | 1   | I/O | RF                | 2.4 GHz TX, RX   |
| VDDR        | 2   | —   | Power             | Internal supply, must be powered from the internal DC/DC converter or the internal LDO <sup>(2) (3) (4)</sup>  |
| DIO8        | 3   | I/O | Digital           | GPIO   |
| DIO11       | 4   | I/O | Digital           | GPIO   |
| DIO12       | 5   | I/O | Digital           | GPIO, high-drive capability  |
| DIO13       | 6   | I/O | Digital           | GPIO   |
| DIO16_SWDIO | 7   | I/O | Digital           | GPIO, SWD interface: mode select or SWDIO, high-drive capability   |
| DIO17_SWDCK | 8   | I/O | Digital           | GPIO, SWD interface: clock, high-drive capability  |
| DIO20_A11   | 9   | I/O | Digital or Analog | GPIO, analog capability  |
| DIO21_A10   | 10  | I/O | Digital or Analog | GPIO, analog capability  |
| VDDS        | 11  | —   | Power             | 1.71-V to 3.8-V DIO supply <sup>(5)</sup>  |
| DIO24_A7    | 12  | I/O | Digital or Analog | GPIO, Analog capability, high-drive capability   |
| RSTN        | 13  | I   | Digital           | Reset, active low. No internal pullup resistor   |
| DIO3_X32P   | 14  | I/O | Digital or Analog | GPIO, 32-kHz crystal oscillator pin 1, Optional TCXO input   |
| DIO4_X32N   | 15  | I/O | Digital or Analog | GPIO, 32-kHz crystal oscillator pin 2  |
| VDDD        | 16  | —   | Power             | For decoupling of internal 1.28-V regulated core-supply. Connect an external 1 µF decoupling capacitor. <sup>(2)</sup>   |
| DCDC        | 17  | —   | Power             | Switching node of internal DC/DC converter <sup>(5)</sup>  |
| VDDS        | 18  | —   | Power             | 1.71-V to 3.8-V analog supply <sup>(5)</sup>   |
| DIO6_A1     | 19  | I/O | Digital or Analog | GPIO, analog capability  |
| VDDR        | 20  | —   | Power             | Internal supply, must be powered from the internal DC/DC converter or the internal LDO. Connect an external 10 µF decoupling capacitor. <sup>(2) (3) (4)</sup> |
| X48P        | 21  | —   | Analog            | 48-MHz crystal oscillator pin 1  |
| X48N        | 22  | —   | Analog            | 48-MHz crystal oscillator pin 2  |
| GND         | 23  | —   | GND               | Ground   |
| VDDS        | 24  | —   | Power             | 1.71-V to 3.8-V analog supply <sup>(5)</sup>   |

(1) EGP is the only non-RF ground connection for the device. Good electrical connection to PCB ground plane is required for proper device operation.

(2) Do not supply external circuitry from this pin.

(3) VDDR pins 2 and 20 must be tied together on the PCB.

(4) Output from internal DC/DC and LDO is trimmed to 1.5 V.

(5) For more details, see technical reference manual listed in [Section 11.3](#).

## 7.6 Connections for Unused Pins and Modules – RGE Package

**Table 7-4. Connections for Unused Pins – RGE Package**

| FUNCTION                       | SIGNAL NAME          | PIN NUMBER       | ACCEPTABLE PRACTICE <sup>(1)</sup> | PREFERRED PRACTICE <sup>(1)</sup> |
|--------------------------------|----------------------|------------------|------------------------------------|-----------------------------------|
| GPIO (digital)                 | DIO <sub>n</sub>     | 3–6              | NC, GND, or VDDS                   | NC                                |
| SWD                            | DIO16_SWDIO          | 7                | NC, GND, or VDDS                   | GND or VDDS                       |
|                                | DIO17_SWDCCK         | 8                | NC, GND, or VDDS                   | GND or VDDS                       |
| GPIO (digital or analog)       | DIO <sub>n</sub> _Am | 9–10<br>12<br>19 | NC, GND, or VDDS                   | NC                                |
| 32.768-kHz crystal             | DIO3_X32P            | 14               | NC or GND                          | NC                                |
|                                | DIO4_X32N            | 15               |                                    |                                   |
| DC/DC converter <sup>(2)</sup> | DCDC                 | 17               | NC                                 | NC                                |
|                                | VDDS                 | 11, 18, 24       | VDDS                               | VDDS                              |

(1) NC = No connect

(2) When the DC/DC converter is not used, the inductor between DCDC and VDDR can be removed. VDDR must still be connected and the 10 µF DCDC capacitor must be kept on the VDDR net.

## 7.7 RKP and RGE Peripheral Pin Mapping

**Table 7-5. RKP (QFN40) and RGE (QFN24) Peripheral Pin Mapping**

| PIN NO. |       | PIN NAME | SIGNAL NAME | SIGNAL TYPE <sup>(1)</sup> | PIN MUX ENCODING | SIGNAL DIRECTION |
|---------|-------|----------|-------------|----------------------------|------------------|------------------|
| QFN24   | QFN40 |          |             |                            |                  |                  |
| 2       | 1     | VDDR     | VDDR        | —                          | N/A              | N/A              |
| 3       | 2     | DIO8     | GPIO8       | I/O                        | 0                | I/O              |
|         |       |          | SPI0SCLK    |                            | 1                | I/O              |
|         |       |          | UART0RTS    |                            | 2                | O                |
|         |       |          | T1C0N       |                            | 3                | O                |
|         |       |          | I2C0SDA     |                            | 4                | I/O              |
|         |       |          | T0C0N       |                            | 5                | O                |
|         |       |          | DTB3        |                            | 7                | O                |
| —       | 3     | DIO9     | GPIO9       | I/O                        | 0                | I/O              |
|         |       |          | T3C0        |                            | 1                | O                |
|         |       |          | LRFD3       |                            | 3                | O                |
| —       | 4     | DIO10    | GPIO10      | I/O                        | 0                | I/O              |
|         |       |          | LPCO        |                            | 1                | O                |
|         |       |          | T2PE        |                            | 2                | O                |
|         |       |          | T3C0N       |                            | 3                | O                |
| 4       | 5     | DIO11    | GPIO11      | I/O                        | 0                | I/O              |
|         |       |          | SPI0CSN     |                            | 1                | I/O              |
|         |       |          | T1C2N       |                            | 2                | O                |
|         |       |          | T0C0        |                            | 3                | O                |
|         |       |          | LRFD0       |                            | 4                | O                |
|         |       |          | SPI0POCI    |                            | 5                | I/O              |
|         |       |          | DTB9        |                            | 7                | O                |
| 5       | 6     | DIO12    | GPIO12      | I/O                        | 0                | I/O              |
|         |       |          | SPI0POCI    |                            | 1                | I/O              |
|         |       |          | SPI0PICO    |                            | 2                | I/O              |
|         |       |          | UART0RXD    |                            | 3                | I                |
|         |       |          | T1C1        |                            | 4                | O                |
|         |       |          | I2C0SDA     |                            | 5                | I/O              |
|         |       |          | DTB13       |                            | 7                | O                |
| 6       | 7     | DIO13    | GPIO13      | I/O                        | 0                | I/O              |
|         |       |          | SPI0POCI    |                            | 1                | I/O              |
|         |       |          | SPI0PICO    |                            | 2                | I/O              |
|         |       |          | UART0TXD    |                            | 3                | O                |
|         |       |          | T0C0N       |                            | 4                | O                |
|         |       |          | T1F         |                            | 5                | O                |
|         |       |          | DTB4        |                            | 7                | O                |
| —       | 8     | VDDS     | VDDS        | —                          | N/A              | N/A              |
| —       | 9     | DIO14    | GPIO14      | I/O                        | 0                | I/O              |
|         |       |          | T3C2        |                            | 1                | O                |
|         |       |          | T1C2N       |                            | 2                | O                |
|         |       |          | LRFD5       |                            | 3                | O                |
|         |       |          | T1F         |                            | 4                | O                |

**Table 7-5. RKP (QFN40) and RGE (QFN24) Peripheral Pin Mapping (continued)**

| PIN NO. |       | PIN NAME       | SIGNAL NAME | SIGNAL TYPE <sup>(1)</sup> | PIN MUX ENCODING | SIGNAL DIRECTION |
|---------|-------|----------------|-------------|----------------------------|------------------|------------------|
| QFN24   | QFN40 |                |             |                            |                  |                  |
| —       | 10    | DIO15          | GPIO15      | I/O                        | 0                | I/O              |
|         |       |                | UART0RXD    |                            | 1                | I                |
|         |       |                | T2C0N       |                            | 2                | O                |
|         |       |                | CKMIN       |                            | 3                | I                |
| 7       | 11    | DIO16_SW<br>IO | GPIO16      | I/O                        | 0                | I/O              |
|         |       |                | SPI0PICO    |                            | 1                | I/O              |
|         |       |                | UART0RXD    |                            | 2                | I                |
|         |       |                | I2C0SDA     |                            | 3                | I/O              |
|         |       |                | T1C2        |                            | 4                | O                |
|         |       |                | T1C0N       |                            | 5                | O                |
|         |       |                | DTB10       |                            | 7                | O                |
| 8       | 12    | DIO17_SW<br>CK | GPIO17      | I/O                        | 0                | I/O              |
|         |       |                | SPI0SCLK    |                            | 1                | I/O              |
|         |       |                | UART0TXD    |                            | 2                | O                |
|         |       |                | I2C0SCL     |                            | 3                | I/O              |
|         |       |                | T1C1N       |                            | 4                | O                |
|         |       |                | T0C2        |                            | 5                | O                |
|         |       |                | DTB11       |                            | 7                | O                |
| —       | 13    | DIO18          | GPIO18      | I/O                        | 0                | I/O              |
|         |       |                | T3C0        |                            | 1                | O                |
|         |       |                | LPCO        |                            | 2                | O                |
|         |       |                | UART0TXD    |                            | 3                | O                |
|         |       |                | SPI0SCLK    |                            | 4                | I/O              |
|         |       |                | DTB12       |                            | 7                | O                |
| —       | 14    | DIO19          | GPIO19      | I/O                        | 0                | I/O              |
|         |       |                | T3C1        |                            | 1                | O                |
|         |       |                | T2PE        |                            | 2                | O                |
|         |       |                | SPI0PICO    |                            | 4                | I/O              |
|         |       |                | DTB0        |                            | 7                | O                |
| 9       | 15    | DIO20_A11      | GPIO20      | I/O                        | 0                | I/O              |
|         |       |                | LPCO        |                            | 1                | O                |
|         |       |                | UART0TXD    |                            | 2                | O                |
|         |       |                | UART0RXD    |                            | 3                | I                |
|         |       |                | T1C0        |                            | 4                | O                |
|         |       |                | SPI0POCI    |                            | 5                | I/O              |
|         |       |                | ADC11       |                            | 6                | I                |
|         |       |                | DTB14       |                            | 7                | O                |

**Table 7-5. RKP (QFN40) and RGE (QFN24) Peripheral Pin Mapping (continued)**

| PIN NO.        |       | PIN NAME  | SIGNAL NAME    | SIGNAL TYPE <sup>(1)</sup> | PIN MUX ENCODING | SIGNAL DIRECTION |
|----------------|-------|-----------|----------------|----------------------------|------------------|------------------|
| QFN24          | QFN40 |           |                |                            |                  |                  |
| 10             | 16    | DIO21_A10 | GPIO21         | I/O                        | 0                | I/O              |
|                |       |           | UART0CTS       |                            | 1                | I                |
|                |       |           | T1C1N          |                            | 2                | O                |
|                |       |           | T0C1           |                            | 3                | O                |
|                |       |           | SPI0POCI       |                            | 4                | I/O              |
|                |       |           | LRFD1          |                            | 5                | O                |
|                |       |           | ADC10/LPC+     |                            | 6                | I                |
|                |       |           | DTB15          |                            | 7                | O                |
| 11             | 17    | VDDS      | VDDS           | —                          | N/A              | N/A              |
| —              | 18    | DIO22_A9  | GPIO22         | I/O                        | 0                | I/O              |
|                |       |           | T2C0           |                            | 1                | O                |
|                |       |           | UART0RXD       |                            | 2                | I                |
|                |       |           | T3C1N          |                            | 3                | O                |
|                |       |           | ADC9           |                            | 6                | I                |
|                |       |           | DTB1           |                            | 7                | O                |
|                |       |           | GPIO23         |                            | I/O              | 0                |
| T2C1           | 1     | O         |                |                            |                  |                  |
| T3C2N          | 3     | O         |                |                            |                  |                  |
| ADC8/LPC+/LPC- | 6     | I         |                |                            |                  |                  |
| 12             | 20    | DIO24_A7  | GPIO24         | I/O                        | 0                | I/O              |
|                |       |           | SPI0SCLK       |                            | 1                | I/O              |
|                |       |           | T1C0           |                            | 2                | O                |
|                |       |           | T3C0           |                            | 3                | O                |
|                |       |           | T0PE           |                            | 4                | O                |
|                |       |           | I2C0SCL        |                            | 5                | I/O              |
|                |       |           | ADC7/LPC+/LPC- |                            | 6                | I                |
|                |       |           | DTB5           |                            | 7                | O                |
| —              | 21    | DIO25_A6  | GPIO25         | I/O                        | 0                | I/O              |
|                |       |           | SPI0POCI       |                            | 1                | I/O              |
|                |       |           | I2C0SCL        |                            | 2                | I/O              |
|                |       |           | T2C2N          |                            | 3                | O                |
|                |       |           | ADC6           |                            | 6                | I                |
| —              | 22    | DIO0_A5   | GPIO0          | I/O                        | 0                | I/O              |
|                |       |           | SPI0CSN        |                            | 1                | I/O              |
|                |       |           | I2C0SDA        |                            | 2                | I/O              |
|                |       |           | T3C2           |                            | 3                | O                |
|                |       |           | ADC5           |                            | 6                | I                |
| —              | 23    | DIO1_A4   | GPIO1          | I/O                        | 0                | I/O              |
|                |       |           | T3C1           |                            | 1                | O                |
|                |       |           | LRFD7          |                            | 2                | O                |
|                |       |           | T1F            |                            | 3                | O                |
|                |       |           | UART0RTS       |                            | 4                | O                |
|                |       |           | ADC4           |                            | 5                | I                |
|                |       |           | DTB2           |                            | 6                | O                |

Table 7-5. RKP (QFN40) and RGE (QFN24) Peripheral Pin Mapping (continued)

| PIN NO. |       | PIN NAME  | SIGNAL NAME | SIGNAL TYPE <sup>(1)</sup> | PIN MUX ENCODING | SIGNAL DIRECTION |
|---------|-------|-----------|-------------|----------------------------|------------------|------------------|
| QFN24   | QFN40 |           |             |                            |                  |                  |
| —       | 24    | DIO2_A3   | GPIO2       | I/O                        | 0                | I/O              |
|         |       |           | T0PE        |                            | 1                | O                |
|         |       |           | T2C1N       |                            | 2                | O                |
|         |       |           | UART0CTS    |                            | 3                | I                |
|         |       |           | ADC3        |                            | 6                | I                |
| 13      | 25    | RTSN      | RSTN        | —                          | N/A              | N/A              |
| 14      | 26    | DIO3_X32P | GPIO3       | I/O                        | 0                | I/O              |
|         |       |           | LFCI        |                            | 1                | I                |
|         |       |           | T0C1N       |                            | 2                | O                |
|         |       |           | LRFD0       |                            | 3                | O                |
|         |       |           | T3C1        |                            | 4                | O                |
|         |       |           | T1C2        |                            | 5                | O                |
|         |       |           | LFXT_P      |                            | 6                | I                |
|         |       |           | DTB7        |                            | 7                | O                |
| 15      | 27    | DIO4_X32N | GPIO4       | I/O                        | 0                | I/O              |
|         |       |           | T0C2N       |                            | 1                | O                |
|         |       |           | UART0TXD    |                            | 2                | O                |
|         |       |           | LRFD1       |                            | 3                | O                |
|         |       |           | SPI0PICO    |                            | 4                | I/O              |
|         |       |           | T0C2        |                            | 5                | O                |
|         |       |           | LFXT_N      |                            | 6                | I                |
| DTB8    | 7     | O         |             |                            |                  |                  |
| 16      | 28    | VDDD      | VDDD        | —                          | N/A              | N/A              |
| —       | 29    | DIO5_A2   | GPIO5       | I/O                        | 0                | I/O              |
|         |       |           | T2C2        |                            | 1                | O                |
|         |       |           | LRFD6       |                            | 3                | O                |
|         |       |           | ADC2        |                            | 6                | I                |
| 17      | 30    | DCDC      | DCDC        | —                          | N/A              | N/A              |
| 18      | 31    | VDDS      | VDDS        | —                          | N/A              | N/A              |
| 19      | 32    | DIO6_A1   | GPIO6       | I/O                        | 0                | I/O              |
|         |       |           | SPI0CSN     |                            | 1                | I/O              |
|         |       |           | I2C0SCL     |                            | 2                | I/O              |
|         |       |           | T1C2        |                            | 3                | O                |
|         |       |           | LRFD2       |                            | 4                | O                |
|         |       |           | UART0TXD    |                            | 5                | O                |
|         |       |           | ADC1/AREF+  |                            | 6                | I                |
|         |       |           | DTB6        |                            | 7                | O                |
| —       | 33    | DIO7_A0   | GPIO7       | I/O                        | 0                | I/O              |
|         |       |           | T3C1        |                            | 1                | O                |
|         |       |           | LRFD4       |                            | 3                | O                |
|         |       |           | ADC0/AREF-  |                            | 6                | I                |
| 20      | 34    | VDDR      | VDDR        | —                          | N/A              | N/A              |
| 21      | 35    | X48P      | X48P        | —                          | N/A              | N/A              |
| 22      | 36    | X48N      | X48N        | —                          | N/A              | N/A              |

**Table 7-5. RKP (QFN40) and RGE (QFN24) Peripheral Pin Mapping (continued)**

| PIN NO. |         | PIN NAME | SIGNAL NAME | SIGNAL TYPE <sup>(1)</sup> | PIN MUX ENCODING | SIGNAL DIRECTION |
|---------|---------|----------|-------------|----------------------------|------------------|------------------|
| QFN24   | QFN40   |          |             |                            |                  |                  |
| —       | 37      | NC       | NC          | —                          | N/A              | N/A              |
| 24      | 38      | VDDS     | VDDS        | —                          | N/A              | N/A              |
| 1       | 39      | ANT      | ANT         | —                          | N/A              | N/A              |
| —       | 40      | RFGND    | RFGND       | —                          | N/A              | N/A              |
|         | GND_TAB |          |             | —                          | N/A              | N/A              |

(1) Signal Types: I = Input, O = Output, I/O = Input or Output.

## 7.8 RKP and RGE Peripheral Signal Descriptions

**Table 7-6. RKP (QFN40) and RGE (QFN24) Peripheral Signal Descriptions**

| FUNCTION         | SIGNAL NAME   | Pin No. |       | PIN TYPE  | SIGNAL DIRECTION | DESCRIPTION  |
|------------------|---------------|---------|-------|---|------------------|--|
|                  |               | QFN24   | QFN40 |   |                  |  |
| ADC              | ADC11         | 9       | 15    | I/O   | I                | HP ADC channel 11 input                                |
|                  | ADC10         | 10      | 16    |   |                  | HP ADC channel 10 input                                |
|                  | ADC9          | —       | 18    |   |                  | HP ADC channel 9 input                                 |
|                  | ADC8          | —       | 19    |   |                  | HP ADC channel 8 input                                 |
|                  | ADC7          | 12      | 20    |   |                  | HP ADC channel 7 input                                 |
|                  | ADC6          | —       | 21    |   |                  | ADC channel 6 input                                    |
|                  | ADC5          | —       | 22    |   |                  | ADC channel 5 input                                    |
|                  | ADC4          | —       | 23    |   |                  | ADC channel 4 input                                    |
|                  | ADC3          | —       | 24    |   |                  | ADC channel 3 input                                    |
|                  | ADC2          | —       | 29    |   |                  | ADC channel 2 input                                    |
|                  | ADC1          | 19      | 32    |   |                  | HP ADC channel 1 input                                 |
|                  | ADC0          | —       | 33    |   |                  | HP ADC channel 0 input                                 |
|                  | ADC Reference | AREF+   | 19    |   |                  | 32   |
| AREF-            |               | —       | 33    | ADC external voltage reference, negative terminal |                  |  |
| Clock            | X32P          | 14      | 26    | I/O   | I                | 32-kHz crystal oscillator pin 1, Optional TCXO input   |
|                  | X32N          | 15      | 27    | I/O   | I                | 32-kHz crystal oscillator pin 2                        |
|                  | X48P          | 21      | 35    | —   | I                | 48-MHz crystal oscillator pin 1                        |
|                  | X48N          | 22      | 36    | —   | I                | 48-MHz crystal oscillator pin 2                        |
|                  | CKMIN         | —       | 10    | I/O   | I                | TDC or HFOSC tracking loop reference clock input       |
|                  | LFCI          | 14      | 26    | I/O   | I                | Low frequency clock input (LFXT bypass clock from pin) |
| Comparator       | LPCO          | —       | 4     | I/O   | O                | Low power comparator output                            |
|                  |               | —       | 13    |   |                  |  |
|                  |               | 9       | 15    |   |                  |  |
| Comparator Input | LPC+          | 10      | 16    | I/O   | I                | Low power comparator positive input terminal           |
|                  |               | —       | 19    |   |                  |  |
|                  |               | 12      | 20    |   |                  |  |
|                  | LPC-          | —       | 19    |   |                  | Lower power comparator negative input terminal         |
| 12               |               | 20      |       |   |                  |  |



**Table 7-6. RKP (QFN40) and RGE (QFN24) Peripheral Signal Descriptions (continued)**

| FUNCTION         | SIGNAL NAME | Pin No. |       | PIN TYPE | SIGNAL DIRECTION | DESCRIPTION                     |
|------------------|-------------|---------|-------|----------|------------------|---------------------------------|
|                  |             | QFN24   | QFN40 |          |                  |                                 |
| Digital Test Bus | DTB3        | 3       | 2     | I/O      | O                | Digital test bus output 3       |
|                  | DTB9        | 4       | 5     |          |                  | Digital test bus output 9       |
|                  | DTB0        | —       | 14    |          |                  | Digital test bus output 0       |
|                  | DTB4        | 6       | 7     |          |                  | Digital test bus output 4       |
|                  | DTB10       | 7       | 11    |          |                  | Digital test bus output 10      |
|                  | DTB11       | 8       | 12    |          |                  | Digital test bus output 11      |
|                  | DTB12       | —       | 13    |          |                  | Digital test bus output 12      |
|                  | DTB13       | 5       | 6     |          |                  | Digital test bus output 13      |
|                  | DTB1        | —       | 18    |          |                  | Digital test bus output 1       |
|                  | DTB2        | —       | 23    |          |                  | Digital test bus output 2       |
|                  | DTB14       | 9       | 15    |          |                  | Digital test bus output 14      |
|                  | DTB5        | 12      | 20    |          |                  | Digital test bus output 5       |
|                  | DTB15       | 10      | 16    |          |                  | Digital test bus output 15      |
|                  | DTB7        | 14      | 26    |          |                  | Digital test bus output 7       |
|                  | DTB8        | 15      | 27    |          |                  | Digital test bus output 8       |
|                  | DTB6        | 19      | 32    |          |                  | Digital test bus output 6       |
| GPIO             | GPIO8       | 3       | 2     | I/O      | I/O              | General-purpose input or output |
|                  | GPIO9       | —       | 3     |          |                  |                                 |
|                  | GPIO10      | —       | 4     |          |                  |                                 |
|                  | GPIO11      | 4       | 5     |          |                  |                                 |
|                  | GPIO12      | 5       | 6     |          |                  |                                 |
|                  | GPIO13      | 6       | 7     |          |                  |                                 |
|                  | GPIO14      | —       | 9     |          |                  |                                 |
|                  | GPIO15      | —       | 10    |          |                  |                                 |
|                  | GPIO16      | 7       | 11    |          |                  |                                 |
|                  | GPIO17      | 8       | 12    |          |                  |                                 |
|                  | GPIO18      | —       | 13    |          |                  |                                 |
|                  | GPIO19      | —       | 14    |          |                  |                                 |
|                  | GPIO20      | 9       | 15    |          |                  |                                 |
|                  | GPIO21      | 10      | 16    |          |                  |                                 |
|                  | GPIO22      | —       | 18    |          |                  |                                 |
|                  | GPIO23      | —       | 19    |          |                  |                                 |
|                  | GPIO24      | 12      | 20    |          |                  |                                 |
|                  | GPIO25      | —       | 21    |          |                  |                                 |
|                  | GPIO0       | —       | 22    |          |                  |                                 |
|                  | GPIO1       | —       | 23    |          |                  |                                 |
| GPIO2            | —           | 24      |       |          |                  |                                 |
| GPIO3            | 14          | 26      |       |          |                  |                                 |
| GPIO4            | 15          | 27      |       |          |                  |                                 |
| GPIO5            | —           | 29      |       |          |                  |                                 |
| GPIO6            | 19          | 32      |       |          |                  |                                 |
| GPIO7            | —           | 33      |       |          |                  |                                 |

**Table 7-6. RKP (QFN40) and RGE (QFN24) Peripheral Signal Descriptions (continued)**

| FUNCTION           | SIGNAL NAME | Pin No. |                      | PIN TYPE | SIGNAL DIRECTION | DESCRIPTION  |
|--------------------|-------------|---------|----------------------|----------|------------------|--|
|                    |             | QFN24   | QFN40                |          |                  |  |
| I <sup>2</sup> C   | I2C0SCL     | 8       | 12                   | I/O      | I/O              | I <sup>2</sup> C clock data                              |
|                    |             | 12      | 20                   |          |                  |  |
|                    |             | —       | 21                   |          |                  |  |
|                    |             | 19      | 32                   |          |                  |  |
|                    | I2C0SDA     | 3       | 2                    | I/O      | I/O              | I <sup>2</sup> C data                                    |
|                    |             | 5       | 6                    |          |                  |  |
|                    |             | 7       | 11                   |          |                  |  |
|                    |             | —       | 22                   |          |                  |  |
| LRF Digital Output | LRFD3       | —       | 3                    | I/O      | O                | LRF digital output 3                                     |
|                    | LRFD0       | 4       | 5                    |          |                  | LRF digital output 0                                     |
|                    |             | 14      | 26                   |          |                  |  |
|                    | LRFD5       | —       | 9                    |          |                  | LRF digital output 5                                     |
|                    | LRFD1       | 10      | 16                   |          |                  | LRF digital output 1                                     |
|                    |             | 15      | 27                   |          |                  |  |
|                    | LRFD7       | —       | 23                   |          |                  | LRF digital output 7                                     |
|                    | LRFD6       | —       | 29                   |          |                  | LRF digital output 6                                     |
| LRFD2              | 19          | 32      | LRF digital output 2 |          |                  |  |
| LRFD4              | —           | 33      | LRF digital output 4 |          |                  |  |
| Power              | VDDR        | 2       | 1                    | —        | —                | Internal supply  |
|                    |             | 20      | 34                   |          |                  |  |
|                    | VDDS        | —       | 8                    | —        | —                | 1.71-V to 3.8V DIO supply                                |
|                    |             | 11      | 17                   |          |                  |  |
|                    |             | 18      | 31                   |          |                  |  |
|                    |             | 24      | 38                   |          |                  |  |
|                    | VDDD        | 16      | 28                   | —        | —                | For decoupling of internal 1.28-V regulated core-supply. |
|                    | DCDC        | 17      | 30                   | —        | —                | Switching node of internal DC/DC converter               |
| Reset              | RSTN        | 13      | 25                   | —        | —                | Global main device reset (active low)                    |
| RF                 | ANT         | 1       | 39                   | —        | —                | 50 ohm RF port   |
| RF Ground          | RFGND       | —       | 40                   | —        | —                | RF Ground reference                                      |

**Table 7-6. RKP (QFN40) and RGE (QFN24) Peripheral Signal Descriptions (continued)**

| FUNCTION                        | SIGNAL NAME | Pin No.  |       | PIN TYPE | SIGNAL DIRECTION | DESCRIPTION                           |                                       |
|---------------------------------|-------------|----------|-------|----------|------------------|---------------------------------------|---------------------------------------|
|                                 |             | QFN24    | QFN40 |          |                  |                                       |                                       |
| SPI                             | SPI0SCLK    | 3        | 2     | I/O      | I/O              | SPI clock                             |                                       |
|                                 |             | 8        | 12    |          |                  |                                       |                                       |
|                                 |             | —        | 13    |          |                  |                                       |                                       |
|                                 |             | 12       | 20    |          |                  |                                       |                                       |
|                                 | SPI0POCI    | SPI0POCI | 4     | 5        | I/O              | I/O                                   | SPI POCI                              |
|                                 |             |          | 5     | 6        |                  |                                       |                                       |
|                                 |             |          | 6     | 7        |                  |                                       |                                       |
|                                 |             |          | 9     | 15       |                  |                                       |                                       |
|                                 |             |          | 10    | 16       |                  |                                       |                                       |
|                                 | SPI0CSN     | SPI0CSN  | 4     | 5        | I/O              | I/O                                   | SPI chip select                       |
|                                 |             |          | —     | 22       |                  |                                       |                                       |
|                                 |             |          | 19    | 32       |                  |                                       |                                       |
|                                 | SPI0PICO    | SPI0PICO | 5     | 6        | I/O              | I/O                                   | SPI PICO                              |
|                                 |             |          | 6     | 7        |                  |                                       |                                       |
|                                 |             |          | 7     | 11       |                  |                                       |                                       |
| —                               |             |          | 14    |          |                  |                                       |                                       |
| SWD                             | SWDIO       | 7        | 11    | I/O      | I/O              | JTAG/SWD TCK. Reset default pinout.   |                                       |
|                                 | SWDCK       | 8        | 12    | I/O      | I                | JTAG/SWD TMS. Reset default pinout.   |                                       |
| Timers -<br>Capture/<br>Compare | T0C0        | 4        | 5     | I/O      | I/O              | Capture/compare Output-0 from Timer-0 |                                       |
|                                 |             | 10       | 16    |          |                  | Capture/compare Output-1 from Timer-0 |                                       |
|                                 | T0C2        | 8        | 12    | I/O      | I/O              | Capture/compare Output-2 from Timer-0 |                                       |
|                                 |             | 15       | 27    |          |                  |                                       |                                       |
|                                 | T1C0        | 9        | 15    | I/O      | I/O              | Capture/compare Output-0 from Timer-1 |                                       |
|                                 |             | 12       | 20    |          |                  |                                       |                                       |
|                                 | T1C1        | T1C1     | 5     | 6        | I/O              | I/O                                   | Capture/compare Output-1 from Timer-1 |
|                                 |             |          | 7     | 11       |                  |                                       |                                       |
|                                 |             |          | 14    | 26       |                  |                                       |                                       |
|                                 | T1C2        | T1C2     | 19    | 32       | I/O              | I/O                                   | Capture/compare Output-2 from Timer-1 |
|                                 |             |          | —     | 18       |                  |                                       |                                       |
|                                 | T2C0        | T2C0     | —     | 18       | I/O              | I/O                                   | Capture/compare Output-0 from Timer-2 |
|                                 |             |          | —     | 19       |                  |                                       | Capture/compare Output-1 from Timer-2 |
|                                 | T2C2        | T2C2     | —     | 29       | I/O              | I/O                                   | Capture/compare Output-2 from Timer-2 |
|                                 |             |          | —     | 3        |                  |                                       |                                       |
|                                 | T3C0        | T3C0     | —     | 13       | I/O              | I/O                                   | Capture/compare Output-0 from Timer-3 |
|                                 |             |          | 12    | 20       |                  |                                       |                                       |
|                                 |             |          | —     | 14       |                  |                                       |                                       |
| T3C1                            | T3C1        | —        | 23    | I/O      | I/O              | Capture/compare Output-1 from Timer-3 |                                       |
|                                 |             | 14       | 26    |          |                  |                                       |                                       |
|                                 |             | —        | 33    |          |                  |                                       |                                       |
| T3C2                            | T3C2        | —        | 9     | I/O      | I/O              | Capture/compare Output-2 from Timer-3 |                                       |
|                                 |             | —        | 22    |          |                  |                                       |                                       |

**Table 7-6. RKP (QFN40) and RGE (QFN24) Peripheral Signal Descriptions (continued)**

| FUNCTION                                | SIGNAL NAME | Pin No. |       | PIN TYPE | SIGNAL DIRECTION                                | DESCRIPTION                                     |
|---|-------------|---------|-------|----------|---|---|
|   |             | QFN24   | QFN40 |          |   |   |
| Timers - Complementary Capture/ Compare | T0C0N       | 3       | 2     | I/O      | O   | Complementary compare/PWM Output-0 from Timer-0 |
|   |             | 6       | 7     |          |   |   |
|   | T0C1N       | 14      | 26    | I/O      | O   | Complementary compare/PWM Output-1 from Timer-0 |
|   | T0C2N       | 15      | 27    |          |   | Complementary compare/PWM Output-2 from Timer-0 |
|   | T1C0N       | 3       | 2     | I/O      | O   | Complementary compare/PWM Output-0 from Timer-1 |
|   |             | 7       | 11    |          |   |   |
|   | T1C1N       | 8       | 12    | I/O      | O   | Complementary compare/PWM Output-1 from Timer-1 |
|   |             | 10      | 16    |          |   |   |
|   | T1C2N       | 4       | 5     | I/O      | O   | Complementary compare/PWM Output-2 from Timer-1 |
|   |             | —       | 9     |          |   |   |
|   | T2C0N       | —       | 10    | I/O      | O   | Complementary compare/PWM Output-0 from Timer-2 |
|   |             | —       | 24    |          |   |   |
| —                                       |             | 21      |       |          |   |   |
| T3C0N                                   | —           | 4       | I/O   | O        | Complementary compare/PWM Output-0 from Timer-3 |   |
|   | —           | 18      |       |          |   |   |
|   | —           | 19      |       |          |   |   |
| Timers - Fault input                    | T1F         | 6       | 7     | I/O      | I   | Fault input for Timer-1                         |
|   |             | —       | 9     |          |   |   |
|   |             | —       | 23    |          |   |   |
| Timers - Prescaler Event                | T2PE        | —       | 4     | I/O      | O   | Prescaler event output from Timer-2             |
|   |             | —       | 14    |          |   |   |
|   | T0PE        | 12      | 20    | I/O      | O   | Prescaler event output from Timer-0             |
|   |             | —       | 24    |          |   |   |
| UART                                    | UART0TXD    | 6       | 7     | I/O      | O   | UART0 TX data                                   |
|   |             | 8       | 12    |          |   |   |
|   |             | —       | 13    |          |   |   |
|   |             | 9       | 15    |          |   |   |
|   |             | 15      | 27    |          |   |   |
|   |             | 19      | 32    |          |   |   |
|   | UART0RXD    | 5       | 6     | I/O      | I   | UART0 RX data                                   |
|   |             | —       | 10    |          |   |   |
|   |             | 7       | 11    |          |   |   |
|   |             | 9       | 15    |          |   |   |
|   | UART0CTS    | 10      | 16    | I/O      | I   | UART0 clear-to-send input (active low)          |
|   |             | —       | 24    |          |   |   |
|   | UART0RTS    | 3       | 2     | I/O      | O   | UART0 request-to-send (active low)              |
|   |             | —       | 23    |          |   |   |

## 8 Specifications

### 8.1 Absolute Maximum Ratings

over operating free-air temperature range (unless otherwise noted)<sup>(1) (2)</sup>

|                     |  | MIN  | MAX                             | UNIT |
|---------------------|--|------|---------------------------------|------|
| V <sub>DD5</sub>    | Supply voltage                                   | -0.3 | 4.1                             | V    |
|                     | Voltage on any digital pin <sup>(3)</sup>        | -0.3 | V <sub>DD5</sub> + 0.3, max 4.1 | V    |
|                     | Voltage on crystal oscillator pins X48P and X48N | -0.3 | 1.24                            | V    |
| V <sub>in_adc</sub> | Voltage on ADC input                             | 0    | V <sub>DD5</sub>                | V    |
|                     | Input level, RF pins                             |      | 5                               | dBm  |
| T <sub>stg</sub>    | Storage temperature                              | -40  | 150                             | °C   |

- (1) Stresses beyond those listed under *Absolute Maximum Ratings* may cause permanent damage to the device. These are stress ratings only, and functional operation of the device at these or any other conditions beyond those indicated under *Recommended Operating Conditions* is not implied. Exposure to absolute-maximum-rated conditions for extended periods may affect device reliability.
- (2) All voltage values are with respect to ground, unless otherwise noted.
- (3) Including analog capable DIOs.

### 8.2 ESD Ratings

|                  |                         |   | VALUE    | UNIT  |   |
|------------------|-------------------------|---|----------|-------|---|
| V <sub>ESD</sub> | Electrostatic discharge | Human body model (HBM), per ANSI/ESDA/JEDEC JS-001 <sup>(1)</sup>     | All pins | ±1000 | V |
|                  |                         | Charged device model (CDM), per ANSI/ESDA/JEDEC JS-002 <sup>(2)</sup> | All pins | ±500  | V |

- (1) JEDEC document JEP155 states that 500-V HBM allows safe manufacturing with a standard ESD control process
- (2) JEDEC document JEP157 states that 250-V CDM allows safe manufacturing with a standard ESD control process

### 8.3 Recommended Operating Conditions

over operating free-air temperature range (unless otherwise noted)

|   | MIN  | MAX | UNIT  |
|---|------|-----|-------|
| Operating ambient temperature <sup>(1) (2)</sup>  | -40  | 125 | °C    |
| Operating junction temperature <sup>(1) (2)</sup> | -40  | 125 | °C    |
| Operating supply voltage (V <sub>DD5</sub> )      | 1.71 | 3.8 | V     |
| Rising supply voltage slew rate                   | 0    | 100 | mV/μs |
| Falling supply voltage slew rate <sup>(3)</sup>   | 0    | 1   | mV/μs |

- (1) Operation at or near maximum operating temperature for extended durations will result in a reduction in lifetime.
- (2) For thermal resistance details, refer to *Thermal Resistance Characteristics* table in this document.
- (3) For small coin-cell batteries, with high worst-case end-of-life equivalent source resistance, a 10-μF V<sub>DD5</sub> input capacitor must be used to ensure compliance with this slew rate.

### 8.4 DCDC

When measured on the CC2340R5 reference design with T<sub>c</sub> = 25 °C and DCDC enabled unless otherwise noted.

| PARAMETER   | TEST CONDITIONS | MIN | TYP | MAX | UNIT |
|---|-----------------|-----|-----|-----|------|
| V <sub>DD5</sub> supply voltage for DCDC operation <sup>(1) (2)</sup> |                 | 2.2 | 3.0 | 3.8 | V    |

- (1) When the supply voltage drops below the DCDC operation min voltage, the device automatically transitions to use GLDO regulator on-chip.
- (2) A 10uH and 10uF load capacitor are required on the V<sub>DDR</sub> voltage rail. They should be placed close to the DCDC output pin.

### 8.5 Global LDO (GLDO)

When measured on the CC2340R5 reference design with T<sub>c</sub> = 25 °C.

| PARAMETER   | TEST CONDITIONS | MIN  | TYP | MAX | UNIT |
|---|-----------------|------|-----|-----|------|
| V <sub>DD5</sub> supply voltage for GLDO operation <sup>(1)</sup> |                 | 1.71 | 3.0 | 3.8 | V    |

- (1) A 10 μF capacitor is recommended at V<sub>DDR</sub> pin.

## 8.6 Power Supply and Modules

over operating free-air temperature range (unless otherwise noted)

| PARAMETER   | TEST CONDITIONS                    | MIN | TYP  | MAX | UNIT |
|---|------------------------------------|-----|------|-----|------|
| <b>VDDS_BOD</b>                                   |                                    |     |      |     |      |
| Untrimmed brownout rising threshold               | Before initial boot <sup>(1)</sup> |     | 1.67 |     | V    |
| Trimmed brownout rising threshold <sup>(1)</sup>  |                                    |     | 1.68 |     | V    |
| Trimmed brownout falling threshold <sup>(1)</sup> |                                    |     | 1.67 |     | V    |
| <b>POR</b>  |                                    |     |      |     |      |
| power-on reset power-up level                     |                                    |     | 1.5  |     | V    |
| power-on reset power-down level                   |                                    |     | 1.45 |     | V    |

(1) Brown-out Detector is trimmed at initial boot, value is kept until device is reset by a POR reset or the RSTN pin.

## 8.7 Battery Monitor

Measured on the CC2340R5 reference design with  $T_c = 25\text{ }^\circ\text{C}$ , unless otherwise noted.

| PARAMETER  | TEST CONDITIONS | MIN | TYP | MAX | UNIT |
|------------|-----------------|-----|-----|-----|------|
| Resolution |                 |     | 22  |     | mV   |
| Range      |                 | 1.7 |     | 3.8 | V    |
| Accuracy   | VDDS = 3.0 V    |     | 30  |     | mV   |

## 8.8 Temperature Sensor

Measured on the CC2340R5 reference design with  $T_c = 25\text{ }^\circ\text{C}$ ,  $V_{\text{DDS}} = 3.0\text{ V}$ , unless otherwise noted.

| PARAMETER | TEST CONDITIONS | MIN | TYP                | MAX | UNIT |
|-----------|-----------------|-----|--------------------|-----|------|
| Accuracy  | -40 °C to 85 °C |     | ±10 <sup>(1)</sup> |     | °C   |

(1) Raw output from register.

## 8.9 Power Consumption - Power Modes

When measured on the CC2340R5 reference design with  $T_c = 25\text{ }^\circ\text{C}$ ,  $V_{DD5} = 3.0\text{ V}$ , DCDC enabled, GLDO disabled, unless otherwise noted.

| PARAMETER                                  |              | TEST CONDITIONS   | TYP  | UNIT                       |
|--|--------------|---|------|----------------------------|
| <b>Core Current Consumption with DCDC</b>  |              |   |      |                            |
| $I_{core}$                                 | Active       | MCU running CoreMark from Flash at 48 MHz   | 2.6  | mA                         |
| $I_{core}$                                 | Active       | MCU running CoreMark from Flash at 48MHz  | 53   | $\mu\text{A} / \text{MHz}$ |
| $I_{core}$                                 | Idle         | Supply Systems and RAM powered, flash disabled, DMA disabled                          | 780  | $\mu\text{A}$              |
| $I_{core}$                                 | Idle         | Supply Systems and RAM powered, flash disabled, DMA enabled                           | 810  | $\mu\text{A}$              |
| $I_{core}$                                 | Idle         | Supply Systems and RAM powered, flash enabled, DMA disabled                           | 1100 | $\mu\text{A}$              |
| $I_{core}$                                 | Idle         | Supply Systems and RAM powered, flash enabled, DMA enabled                            | 1200 | $\mu\text{A}$              |
| $I_{core}$                                 | Standby      | RTC running, 36kB RAM retention<br>LFOSC, DCDC recharge current setting (ipeak = 1)   | 0.71 | $\mu\text{A}$              |
| $I_{core}$                                 | Standby      | RTC running, 36kB RAM retention<br>LFXT, DCDC recharge current setting (ipeak = 1)    | 0.74 | $\mu\text{A}$              |
| <b>Core Current consumption with GLDO</b>  |              |   |      |                            |
| $I_{core}$                                 | Active       | MCU running CoreMark from Flash at 48 MHz   | 4.1  | mA                         |
| $I_{core}$                                 | Idle         | Supply Systems and RAM powered, flash disabled, DMA disabled                          | 1170 | $\mu\text{A}$              |
| $I_{core}$                                 | Idle         | Supply Systems and RAM powered, flash disabled, DMA enabled                           | 1230 | $\mu\text{A}$              |
| $I_{core}$                                 | Idle         | Supply Systems and RAM powered, flash enabled, DMA disabled                           | 1490 | $\mu\text{A}$              |
| $I_{core}$                                 | Idle         | Supply Systems and RAM powered, flash enabled, DMA enabled                            | 1665 | $\mu\text{A}$              |
| $I_{core}$                                 | Standby      | RTC running, 36kB RAM retention<br>LFOSC, default GLDO recharge current setting       | 1.1  | $\mu\text{A}$              |
| $I_{core}$                                 | Standby      | RTC running, 36kB RAM retention<br>LFXT default GLDO recharge current setting         | 1.15 | $\mu\text{A}$              |
| <b>Reset, Shutdown Current Consumption</b> |              |   |      |                            |
| $I_{core}$                                 | Reset        | Reset. RSTN pin asserted or VDD5 below power-on-reset threshold                       | 150  | nA                         |
| $I_{core}$                                 | Shutdown     | Shutdown measured in steady state. No clocks running, no retention, IO wakeup enabled | 150  | nA                         |
| <b>Peripheral Current Consumption</b>      |              |   |      |                            |
| $I_{peri}$                                 | RF           | Delta current, clock enabled, RF subsystem idle                                       | 40   | $\mu\text{A}$              |
| $I_{peri}$                                 | Timers       | Delta current with clock enabled, module is idle, one LGPT timer                      | 2.4  | $\mu\text{A}$              |
| $I_{peri}$                                 | I2C          | Delta current with clock enabled, module is idle                                      | 10.6 | $\mu\text{A}$              |
| $I_{peri}$                                 | SPI          | Delta current with clock enabled, module is idle                                      | 3.4  | $\mu\text{A}$              |
| $I_{peri}$                                 | UART         | Delta current with clock enabled, module is idle                                      | 24.5 | $\mu\text{A}$              |
| $I_{peri}$                                 | CRYPTO (AES) | Delta current with clock enabled, module is idle                                      | 3.8  | $\mu\text{A}$              |

## 8.10 Power Consumption - Radio Modes

When measured on the CC2340R5 reference design with  $T_c = 25\text{ }^\circ\text{C}$ ,  $V_{DD5} = 3.0\text{ V}$  with DCDC enabled unless otherwise noted.

| PARAMETER |                        | TEST CONDITIONS   | TYP  | UNIT |
|-----------|------------------------|---|------|------|
| $I_{RX}$  | Radio receive current  | 2440 MHz, 1 Mbps, GFSK, system bus off <sup>(1)</sup>                           | 5.3  | mA   |
| $I_{RX}$  | Radio receive current  | 2440 MHz, 1 Mbps, GFSK, DCDC OFF, system bus off <sup>(1)</sup>                 | 9    | mA   |
| $I_{TX}$  | Radio transmit current | -8 dBm output power setting<br>2440 MHz system bus off <sup>(1)</sup>           | 4.0  | mA   |
| $I_{TX}$  | Radio transmit current | 0 dBm output power setting<br>2440 MHz system bus off <sup>(1)</sup>            | 5.1  | mA   |
| $I_{TX}$  | Radio transmit current | 0 dBm output power setting<br>2440 MHz DCDC OFF, system bus off <sup>(1)</sup>  | 8.8  | mA   |
| $I_{TX}$  | Radio transmit current | +4 dBm output power setting<br>2440 MHz system bus off <sup>(1)</sup>           | 7.7  | mA   |
| $I_{TX}$  | Radio transmit current | +6 dBm output power setting<br>2440 MHz system bus off <sup>(1)</sup>           | 8.9  | mA   |
| $I_{TX}$  | Radio transmit current | +8 dBm output power setting<br>2440 MHz system bus off <sup>(1)</sup>           | 10.7 | mA   |
| $I_{TX}$  | Radio transmit current | +8 dBm output power setting<br>2440 MHz DCDC OFF, system bus off <sup>(1)</sup> | 19   | mA   |

(1) System bus off refers to device idle mode, DMA disabled, flash disabled

## 8.11 Nonvolatile (Flash) Memory Characteristics

Over operating free-air temperature range and  $V_{DD5} = 3.0\text{ V}$  (unless otherwise noted)

| PARAMETER   | TEST CONDITIONS                              | MIN  | TYP | MAX | UNIT             |
|---|--|------|-----|-----|------------------|
| Flash sector size   |  |      | 2   |     | KB               |
| Supported flash erase cycles before failure, full bank <sup>(1) (2)</sup>     |  | 30   |     |     | k Cycles         |
| Supported flash erase cycles before failure, single sector <sup>(3)</sup>     |  | 60   |     |     | k Cycles         |
| Maximum number of write operations per row before sector erase <sup>(4)</sup> |  |      |     | 83  | Write Operations |
| Flash retention   | 105 °C                                       | 11.4 |     |     | Years            |
| Flash retention   | 125 °C                                       | 10   |     |     | Years            |
| Flash sector erase current  | Average delta current                        |      | 1.2 |     | mA               |
| Flash sector erase time <sup>(5)</sup>  | 0 erase cycles                               |      | 2.2 |     | ms               |
| Flash write current   | Average delta current, full sector at a time |      | 1.7 |     | mA               |
| Flash write time <sup>(5)</sup>   | full sector at a time, 0 erase cycles        |      | 7.7 |     | µs               |

(1) A full bank erase is counted as a single erase cycle on each sector

(2) Aborting flash during erase or program modes is not a safe operation.

(3) Up to 16 customer-designated sectors can be individually erased an additional 30k times beyond the baseline bank limitation of 30k cycles

(4) Each wordline is 2048 bits (or 256 bytes) wide. This limitation corresponds to sequential memory writes of 4 (3.1) bytes minimum per write over a whole wordline. If additional writes to the same wordline are required, a sector erase is required once the maximum number of write operations per row is reached.

(5) This number is dependent on Flash aging and increases over time and erase cycles

## 8.12 Thermal Resistance Characteristics

| THERMAL METRIC       | THERMAL METRIC                               | PACKAGE    |            | UNIT <sup>(1)</sup> |
|----------------------|--|------------|------------|---------------------|
|                      |  | RKP (VQFN) | RGE (VQFN) |                     |
|                      |  | 40 PINS    | 24 PINS    |                     |
| $R_{\theta JA}$      | Junction-to-ambient thermal resistance       | 31.8       | 40.1       | °C/W                |
| $R_{\theta JC(top)}$ | Junction-to-case (top) thermal resistance    | 23.1       | 30.5       | °C/W                |
| $R_{\theta JB}$      | Junction-to-board thermal resistance         | 12.7       | 17.2       | °C/W                |
| $\psi_{JT}$          | Junction-to-top characterization parameter   | 0.3        | 0.4        | °C/W                |
| $\psi_{JB}$          | Junction-to-board characterization parameter | 12.7       | 17.1       | °C/W                |



| THERMAL METRIC        | THERMAL METRIC                               | PACKAGE    |            | UNIT <sup>(1)</sup> |
|-----------------------|--|------------|------------|---------------------|
|                       |  | RKP (VQFN) | RGE (VQFN) |                     |
|                       |  | 40 PINS    | 24 PINS    |                     |
| R <sub>θJC(bot)</sub> | Junction-to-case (bottom) thermal resistance | 3.3        | 3.4        | °C/W                |

(1) °C/W = degrees Celsius per watt.

### 8.13 RF Frequency Bands

Over operating free-air temperature range (unless otherwise noted).

| PARAMETER       | MIN  | TYP | MAX  | UNIT |
|-----------------|------|-----|------|------|
| Frequency bands | 2360 |     | 2510 | MHz  |

## 8.14 Bluetooth Low Energy - Receive (RX)

When measured on the CC2340R5 reference design with  $T_c = 25\text{ }^\circ\text{C}$ ,  $V_{DD5} = 3.0\text{ V}$ ,  $f_{RF} = 2440\text{ MHz}$  with DCDC enabled unless otherwise noted. All measurements are performed at the antenna input with a combined RX and TX path. All measurements are performed conducted.

| PARAMETER  | TEST CONDITIONS   | MIN | TYP                           | MAX | UNIT |
|--|---|-----|-------------------------------|-----|------|
| <b>125 kbps (LE Coded)</b>                                     |   |     |                               |     |      |
| Receiver sensitivity   | BER = $10^{-3}$   |     | -102                          |     | dBm  |
| Receiver saturation  | BER = $10^{-3}$   |     | 5                             |     | dBm  |
| Frequency error tolerance                                      | Difference between the incoming carrier frequency and the internally generated carrier frequency  |     | > (-122 / 122) <sup>(1)</sup> |     | kHz  |
| Data rate error tolerance                                      | Difference between incoming data rate and the internally generated data rate (37-byte packets)  |     | > (-90 / 90) <sup>(1)</sup>   |     | ppm  |
| Data rate error tolerance                                      | Difference between incoming data rate and the internally generated data rate (255-byte packets)   |     | > (-90 / 90) <sup>(1)</sup>   |     | ppm  |
| Co-channel rejection <sup>(2)</sup>                            | Wanted signal at -79 dBm, modulated interferer in channel, BER = $10^{-3}$  |     | -6                            |     | dB   |
| Selectivity, $\pm 1\text{ MHz}$ <sup>(2)</sup>                 | Wanted signal at -79 dBm, modulated interferer at $\pm 1\text{ MHz}$ , BER = $10^{-3}$  |     | 9 / 5 <sup>(3)</sup>          |     | dB   |
| Selectivity, $\pm 2\text{ MHz}$ <sup>(2)</sup>                 | Wanted signal at -79 dBm, modulated interferer at $\pm 2\text{ MHz}$ , BER = $10^{-3}$  |     | 44 / 31 <sup>(3)</sup>        |     | dB   |
| Selectivity, $\pm 3\text{ MHz}$ <sup>(2)</sup>                 | Wanted signal at -79 dBm, modulated interferer at $\pm 3\text{ MHz}$ , BER = $10^{-3}$  |     | 47 / 42 <sup>(3)</sup>        |     | dB   |
| Selectivity, $\pm 4\text{ MHz}$ <sup>(2)</sup>                 | Wanted signal at -79 dBm, modulated interferer at $\pm 4\text{ MHz}$ , BER = $10^{-3}$  |     | 49 / 45 <sup>(3)</sup>        |     | dB   |
| Selectivity, $\pm 6\text{ MHz}$ <sup>(2)</sup>                 | Wanted signal at -79 dBm, modulated interferer at $\geq \pm 6\text{ MHz}$ , BER = $10^{-3}$   |     | 52 / 48 <sup>(3)</sup>        |     | dB   |
| Selectivity, $\pm 7\text{ MHz}$                                | Wanted signal at -79 dBm, modulated interferer at $\geq \pm 7\text{ MHz}$ , BER = $10^{-3}$   |     | 54 / 49 <sup>(3)</sup>        |     | dB   |
| Selectivity, Image frequency <sup>(2)</sup>                    | Wanted signal at -79 dBm, modulated interferer at image frequency, BER = $10^{-3}$  |     | 31                            |     | dB   |
| Selectivity, Image frequency $\pm 1\text{ MHz}$ <sup>(2)</sup> | Note that Image frequency + 1 MHz is the Co- channel -1 MHz. Wanted signal at -79 dBm, modulated interferer at $\pm 1\text{ MHz}$ from image frequency, BER = $10^{-3}$ |     | 5 / 42 <sup>(3)</sup>         |     | dB   |
| <b>500 kbps (LE Coded)</b>                                     |   |     |                               |     |      |
| Receiver sensitivity   | BER = $10^{-3}$   |     | -99                           |     | dBm  |
| Receiver saturation  | BER = $10^{-3}$   |     | 5                             |     | dBm  |
| Frequency error tolerance                                      | Difference between the incoming carrier frequency and the internally generated carrier frequency  |     | > (-122 / 122) <sup>(1)</sup> |     | kHz  |
| Data rate error tolerance                                      | Difference between incoming data rate and the internally generated data rate (37-byte packets)  |     | > (-90 / 90) <sup>(1)</sup>   |     | ppm  |
| Data rate error tolerance                                      | Difference between incoming data rate and the internally generated data rate (255-byte packets)   |     | > (-90 / 90) <sup>(1)</sup>   |     | ppm  |
| Co-channel rejection <sup>(2)</sup>                            | Wanted signal at -72 dBm, modulated interferer in channel, BER = $10^{-3}$  |     | -4.5                          |     | dB   |
| Selectivity, $\pm 1\text{ MHz}$ <sup>(2)</sup>                 | Wanted signal at -72 dBm, modulated interferer at $\pm 1\text{ MHz}$ , BER = $10^{-3}$  |     | 9 / 5 <sup>(3)</sup>          |     | dB   |
| Selectivity, $\pm 2\text{ MHz}$ <sup>(2)</sup>                 | Wanted signal at -72 dBm, modulated interferer at $\pm 2\text{ MHz}$ , BER = $10^{-3}$  |     | 42 / 31 <sup>(3)</sup>        |     | dB   |
| Selectivity, $\pm 3\text{ MHz}$ <sup>(2)</sup>                 | Wanted signal at -72 dBm, modulated interferer at $\pm 3\text{ MHz}$ , BER = $10^{-3}$  |     | 45 / 41 <sup>(3)</sup>        |     | dB   |
| Selectivity, $\pm 4\text{ MHz}$ <sup>(2)</sup>                 | Wanted signal at -72 dBm, modulated interferer at $\pm 4\text{ MHz}$ , BER = $10^{-3}$  |     | 46 / 42 <sup>(3)</sup>        |     | dB   |
| Selectivity, $\pm 6\text{ MHz}$ <sup>(2)</sup>                 | Wanted signal at -72 dBm, modulated interferer at $\geq \pm 6\text{ MHz}$ , BER = $10^{-3}$   |     | 50 / 45 <sup>(3)</sup>        |     | dB   |
| Selectivity, $\pm 7\text{ MHz}$                                | Wanted signal at -72 dBm, modulated interferer at $\geq \pm 7\text{ MHz}$ , BER = $10^{-3}$   |     | 51 / 46 <sup>(3)</sup>        |     | dB   |
| Selectivity, Image frequency <sup>(2)</sup>                    | Wanted signal at -72 dBm, modulated interferer at image frequency, BER = $10^{-3}$  |     | 31                            |     | dB   |
| Selectivity, Image frequency $\pm 1\text{ MHz}$ <sup>(2)</sup> | Note that Image frequency + 1 MHz is the Co- channel -1 MHz. Wanted signal at -72 dBm, modulated interferer at $\pm 1\text{ MHz}$ from image frequency, BER = $10^{-3}$ |     | 5 / 41 <sup>(3)</sup>         |     | dB   |

When measured on the CC2340R5 reference design with  $T_c = 25\text{ }^\circ\text{C}$ ,  $V_{DD5} = 3.0\text{ V}$ ,  $f_{RF} = 2440\text{ MHz}$  with DCDC enabled unless otherwise noted. All measurements are performed at the antenna input with a combined RX and TX path. All measurements are performed conducted.

| PARAMETER  | TEST CONDITIONS   | MIN | TYP                             | MAX | UNIT |
|--|---|-----|---------------------------------|-----|------|
| <b>1 Mbps (LE 1M)</b>  |   |     |                                 |     |      |
| Receiver sensitivity   | BER = $10^{-3}$   |     | -96.5                           |     | dBm  |
| Receiver saturation  | BER = $10^{-3}$   |     | 5                               |     | dBm  |
| Frequency error tolerance                                      | Difference between the incoming carrier frequency and the internally generated carrier frequency  |     | > (-225 / 225) <sup>(1)</sup>   |     | kHz  |
| Data rate error tolerance                                      | Difference between incoming data rate and the internally generated data rate (37-byte packets)  |     | > (-750 / 750) <sup>(1)</sup>   |     | ppm  |
| Co-channel rejection <sup>(2)</sup>                            | Wanted signal at -67 dBm, modulated interferer in channel, BER = $10^{-3}$  |     | -6                              |     | dB   |
| Selectivity, $\pm 1\text{ MHz}$ <sup>(2)</sup>                 | Wanted signal at -67 dBm, modulated interferer at $\pm 1\text{ MHz}$ , BER = $10^{-3}$  |     | 7 / 5 <sup>(3)</sup>            |     | dB   |
| Selectivity, $\pm 2\text{ MHz}$ <sup>(2)</sup>                 | Wanted signal at -67 dBm, modulated interferer at $\pm 2\text{ MHz}$ , BER = $10^{-3}$  |     | 39 / 28 <sup>(3)</sup>          |     | dB   |
| Selectivity, $\pm 3\text{ MHz}$ <sup>(2)</sup>                 | Wanted signal at -67 dBm, modulated interferer at $\pm 3\text{ MHz}$ , BER = $10^{-3}$  |     | 44 / 38 <sup>(3)</sup>          |     | dB   |
| Selectivity, $\pm 4\text{ MHz}$ <sup>(2)</sup>                 | Wanted signal at -67 dBm, modulated interferer at $\pm 4\text{ MHz}$ , BER = $10^{-3}$  |     | 47 / 35 <sup>(3)</sup>          |     | dB   |
| Selectivity, $\pm 5\text{ MHz}$ or more <sup>(2)</sup>         | Wanted signal at -67 dBm, modulated interferer at $\geq \pm 5\text{ MHz}$ , BER = $10^{-3}$   |     | 40                              |     | dB   |
| Selectivity, image frequency <sup>(2)</sup>                    | Wanted signal at -67 dBm, modulated interferer at image frequency, BER = $10^{-3}$  |     | 28                              |     | dB   |
| Selectivity, image frequency $\pm 1\text{ MHz}$ <sup>(2)</sup> | Note that Image frequency + 1 MHz is the Co- channel -1 MHz. Wanted signal at -67 dBm, modulated interferer at $\pm 1\text{ MHz}$ from image frequency, BER = $10^{-3}$ |     | 5 / 38 <sup>(3)</sup>           |     | dB   |
| Out-of-band blocking <sup>(4)</sup>                            | 30 MHz to 2000 MHz  |     | -10                             |     | dBm  |
| Out-of-band blocking   | 2003 MHz to 2399 MHz  |     | -10                             |     | dBm  |
| Out-of-band blocking   | 2484 MHz to 2997 MHz  |     | -10                             |     | dBm  |
| Out-of-band blocking   | 3000 MHz to 12.75 GHz (excluding VCO frequency)   |     | -2                              |     | dBm  |
| Intermodulation  | Wanted signal at 2402 MHz, -64 dBm. Two interferers at 2405 and 2408 MHz respectively, at the given power level   |     | -37                             |     | dBm  |
| Spurious emissions, 30 to 1000 MHz <sup>(5)</sup>              | Measurement in a 50- $\Omega$ single-ended load.  |     | < -59                           |     | dBm  |
| Spurious emissions, 1 to 12.75 GHz <sup>(5)</sup>              | Measurement in a 50- $\Omega$ single-ended load.  |     | < -47                           |     | dBm  |
| RSSI dynamic range <sup>(6)</sup>                              |   |     | 70                              |     | dB   |
| RSSI accuracy  |   |     | $\pm 4$                         |     | dB   |
| RSSI resolution  |   |     | 1                               |     | dB   |
| <b>2 Mbps (LE 2M)</b>  |   |     |                                 |     |      |
| Receiver sensitivity   | Measured at SMA connector, BER = $10^{-3}$  |     | -92                             |     | dBm  |
| Receiver saturation  | Measured at SMA connector, BER = $10^{-3}$  |     | 2                               |     | dBm  |
| Frequency error tolerance                                      | Difference between the incoming carrier frequency and the internally generated carrier frequency  |     | > (-225 / 225) <sup>(1)</sup>   |     | kHz  |
| Data rate error tolerance                                      | Difference between incoming data rate and the internally generated data rate (37-byte packets)  |     | > (-1050 / 1050) <sup>(1)</sup> |     | ppm  |
| Co-channel rejection <sup>(2)</sup>                            | Wanted signal at -67 dBm, modulated interferer in channel, BER = $10^{-3}$  |     | -8                              |     | dB   |
| Selectivity, $\pm 2\text{ MHz}$ <sup>(2)</sup>                 | Wanted signal at -67 dBm, modulated interferer at $\pm 2\text{ MHz}$ , Image frequency is at -2 MHz, BER = $10^{-3}$  |     | 9 / 5 <sup>(3)</sup>            |     | dB   |
| Selectivity, $\pm 4\text{ MHz}$ <sup>(2)</sup>                 | Wanted signal at -67 dBm, modulated interferer at $\pm 4\text{ MHz}$ , BER = $10^{-3}$  |     | 40 / 32 <sup>(3)</sup>          |     | dB   |
| Selectivity, $\pm 6\text{ MHz}$ <sup>(2)</sup>                 | Wanted signal at -67 dBm, modulated interferer at $\pm 6\text{ MHz}$ , BER = $10^{-3}$  |     | 46 / 40 <sup>(3)</sup>          |     | dB   |
| Selectivity, image frequency <sup>(2)</sup>                    | Wanted signal at -67 dBm, modulated interferer at image frequency, BER = $10^{-3}$  |     | 5                               |     | dB   |

**CC2340R5**

SWRS272C – APRIL 2023 – REVISED JUNE 2023

When measured on the CC2340R5 reference design with  $T_c = 25\text{ }^\circ\text{C}$ ,  $V_{DD5} = 3.0\text{ V}$ ,  $f_{RF} = 2440\text{ MHz}$  with DCDC enabled unless otherwise noted. All measurements are performed at the antenna input with a combined RX and TX path. All measurements are performed conducted.

| PARAMETER  | TEST CONDITIONS   | MIN | TYP                    | MAX | UNIT |
|--|---|-----|------------------------|-----|------|
| Selectivity, image frequency $\pm 2\text{ MHz}$ <sup>(2)</sup> | Note that Image frequency + 2 MHz is the Co-channel. Wanted signal at -67 dBm, modulated interferer at $\pm 2\text{ MHz}$ from image frequency, BER = $10^{-3}$ |     | -8 / 32 <sup>(3)</sup> |     | dB   |
| Out-of-band blocking <sup>(4)</sup>                            | 30 MHz to 2000 MHz  |     | -10                    |     | dBm  |
| Out-of-band blocking   | 2003 MHz to 2399 MHz  |     | -10                    |     | dBm  |
| Out-of-band blocking   | 2484 MHz to 2997 MHz  |     | -12                    |     | dBm  |
| Out-of-band blocking   | 3000 MHz to 12.75 GHz (excluding VCO frequency)   |     | -10                    |     | dBm  |
| Intermodulation  | Wanted signal at 2402 MHz, -64 dBm. Two interferers at 2408 and 2414 MHz respectively, at the given power level   |     | -38                    |     | dBm  |

- (1) Exceeding Bluetooth specification
- (2) Numbers given as I/C dB
- (3) X / Y, where X is +N MHz and Y is -N MHz
- (4) Excluding one exception at  $F_{\text{wanted}} / 2$ , per Bluetooth Specification
- (5) Suitable for systems targeting compliance with worldwide radio-frequency regulations ETSI EN 300 328 and EN 300 440 Class 2 (Europe), FCC CFR47 Part 15 (US), and ARIB STD-T66 (Japan)
- (6) The device will saturate at -30dB.

## 8.15 Bluetooth Low Energy - Transmit (TX)

When measured on the CC2340R5 reference design with  $T_c = 25\text{ }^\circ\text{C}$ ,  $V_{\text{DDS}} = 3.0\text{ V}$ ,  $f_{\text{RF}} = 2440\text{ MHz}$  with DCDC enabled unless otherwise noted. All measurements are performed at the antenna input with a combined RX and TX path. All measurements are performed conducted.

| PARAMETER                       | TEST CONDITIONS  | MIN | TYP | MAX | UNIT |
|---------------------------------|--|-----|-----|-----|------|
| <b>General Parameters</b>       |  |     |     |     |      |
| Max output power                | Delivered to a single-ended 50-Ω load through integrated balun |     | 8   |     | dBm  |
| Output power programmable range | Delivered to a single-ended 50-Ω load through integrated balun |     | 28  |     | dB   |

## 8.16 Proprietary Radio Modes

Measured on the CC2340R5 reference design with  $T_c = 25\text{ }^\circ\text{C}$ ,  $V_{DD5} = 3.0\text{ V}$ ,  $f_{RF} = 2440\text{ MHz}$  with DCDC enabled unless otherwise noted. All measurements are performed at the antenna input with a combined RX and TX path. All measurements are performed conducted.

| PARAMETER                                   | TEST CONDITIONS               | MIN | TYP | MAX | UNIT |
|---|-------------------------------|-----|-----|-----|------|
| <b>2 Mbps GFSK (HID), 320 kHz deviation</b> |                               |     |     |     |      |
| Receiver sensitivity                        | PER = 30.8%, Payload 37 bytes |     | -89 |     | dBm  |

## 8.17 2.4 GHz RX/TX CW

When measured on the CC2340R5 reference design with  $T_c = 25\text{ }^\circ\text{C}$ ,  $V_{DD5} = 3.0\text{ V}$ ,  $f_{RF} = 2440\text{ MHz}$  with DCDC enabled unless otherwise noted. All measurements are performed at the antenna input with a combined RX and TX path. All measurements are performed conducted.

| PARAMETER                               | TEST CONDITIONS                     | MIN            | TYP   | MAX   | UNIT |
|---|-------------------------------------|----------------|-------|-------|------|
| <b>Spurious emissions and harmonics</b> |                                     |                |       |       |      |
| Spurious emissions <sup>(1)</sup>       | f < 1 GHz, outside restricted bands | +8 dBm setting |       | < -36 | dBm  |
|   | f < 1 GHz, restricted bands ETSI    |                | < -54 | dBm   |      |
|   | f < 1 GHz, restricted bands FCC     |                | < -55 | dBm   |      |
|   | f > 1 GHz, including harmonics      |                | < -42 | dBm   |      |
| Harmonics <sup>(1)</sup>                | Second harmonic                     |                | < -42 | dBm   |      |
|   | Third harmonic                      |                | < -42 | dBm   |      |

- (1) Suitable for systems targeting compliance with worldwide radio-frequency regulations ETSI EN 300 328 and EN 300 440 Class 2 (Europe), FCC CFR47 Part 15 (US), and ARIB STD-T66 (Japan).

## 8.18 Timing and Switching Characteristics

### 8.18.1 Reset Timing

| PARAMETER         | MIN | TYP | MAX | UNIT          |
|-------------------|-----|-----|-----|---------------|
| RSTN low duration | 1   |     |     | $\mu\text{s}$ |

### 8.18.2 Wakeup Timing

Measured over operating free-air temperature with  $V_{DD5} = 3.0\text{ V}$  (unless otherwise noted). The times listed here do not include any software overhead (unless otherwise noted).

| PARAMETER                                    | TEST CONDITIONS  | MIN | TYP                  | MAX | UNIT          |
|--|--|-----|----------------------|-----|---------------|
| MCU, Reset/Shutdown to Active <sup>(1)</sup> | GLDO default charge current setting, VDDR capacitor fully charged <sup>(2)</sup>                           |     | 350-450              |     | $\mu\text{s}$ |
| MCU, Standby to Active                       | MCU, Standby to Active (ready to execute code from flash). DCDC ON, default recharge current configuration |     | 33-43 <sup>(3)</sup> |     | $\mu\text{s}$ |
| MCU, Standby to Active                       | MCU, Standby to Active (ready to execute code from flash). GLDO ON, default recharge current configuration |     | 33-50 <sup>(3)</sup> |     | $\mu\text{s}$ |
| MCU, Idle to Active                          | Flash enabled in idle mode   |     | 3                    |     | $\mu\text{s}$ |
| MCU, Idle to Active                          | Flash disabled in idle mode  |     | 14                   |     | $\mu\text{s}$ |

- (1) Wakeup time includes device ROM bootcode execution time. The wakeup time is dependent on remaining charge on VDDR capacitor when starting the device, and thus how long the device has been in Reset or Shutdown before starting up again.  
(2) This is the best case reset/shutdown to active time (including ROM bootcode operation), for the specified GLDO charge current setting considering the VDDR capacitor is fully charged and is not discharged during the reset and shutdown events; that is, when the device is in reset / shutdown modes for only a very short period of time  
(3) Depending on VDDR capacitor voltage level.

### 8.18.3 Clock Specifications

#### 8.18.3.1 48 MHz Crystal Oscillator (HFXT)

Measured on the CC2340R5 reference design with  $T_c = 25\text{ }^\circ\text{C}$ ,  $V_{DD5} = 3.0\text{ V}$ , unless otherwise noted.<sup>(4)</sup>

|       | PARAMETER   | MIN | TYP              | MAX | UNIT     |
|-------|---|-----|------------------|-----|----------|
|       | Crystal frequency                                   |     | 48               |     | MHz      |
| ESR   | Equivalent series resistance<br>6 pF < $C_L$ ≤ 9 pF |     | 20               | 60  | $\Omega$ |
| ESR   | Equivalent series resistance<br>5 pF < $C_L$ ≤ 6 pF |     |                  | 80  | $\Omega$ |
| $C_L$ | Crystal load capacitance <sup>(1)</sup>             | 3   | 7 <sup>(2)</sup> | 9   | pF       |

**CC2340R5**

SWRS272C – APRIL 2023 – REVISED JUNE 2023

 Measured on the CC2340R5 reference design with  $T_c = 25\text{ }^\circ\text{C}$ ,  $V_{DD5} = 3.0\text{ V}$ , unless otherwise noted.<sup>(4)</sup>

|                              | PARAMETER                | MIN | TYP | MAX | UNIT          |
|------------------------------|--------------------------|-----|-----|-----|---------------|
| Start-up time <sup>(3)</sup> | Until clock is qualified |     | 200 |     | $\mu\text{s}$ |

- (1) Adjustable load capacitance is integrated into the device. External load capacitors are required for systems targeting compliance with certain regulations.
- (2) On-chip default connected capacitance including reference design parasitic capacitance. Connected internal capacitance is changed through software in the Customer Configuration section (CCFG).
- (3) Start-up time using the TI-provided power driver. Start-up time may increase if driver is not used.
- (4) Tai-Saw TZ3908AAAO43 has been validated for CC2340R5 design.

**8.18.3.2 48 MHz RC Oscillator (HFOSC)**

 Measured on the CC2340R5 reference design with  $T_c = 25\text{ }^\circ\text{C}$ ,  $V_{DD5} = 3.0\text{ V}$ , unless otherwise noted.

|  | MIN | TYP        | MAX | UNIT |
|--|-----|------------|-----|------|
| Frequency                                    |     | 48         |     | MHz  |
| Uncalibrated frequency accuracy              |     | $\pm 3$    |     | %    |
| Calibrated frequency accuracy <sup>(1)</sup> |     | $\pm 0.25$ |     | %    |

- (1) Accuracy relative to the calibration source (HFXT)

**8.18.3.3 32 kHz Crystal Oscillator (LFXT)**

 Measured on the CC2340R5 reference design with  $T_c = 25\text{ }^\circ\text{C}$ ,  $V_{DD5} = 3.0\text{ V}$ , unless otherwise noted.

|                                    | MIN | TYP    | MAX | UNIT       |
|------------------------------------|-----|--------|-----|------------|
| Crystal frequency                  |     | 32.768 |     | kHz        |
| Supported crystal load capacitance | 6   |        | 12  | pF         |
| ESR                                |     | 30     | 100 | k $\Omega$ |

**8.18.3.4 32 kHz RC Oscillator (LFOSC)**

 Measured on the CC2340R5 reference design with  $T_c = 25\text{ }^\circ\text{C}$ ,  $V_{DD5} = 3.0\text{ V}$ , unless otherwise noted.

|                          | MIN | TYP                   | MAX | UNIT                  |
|--------------------------|-----|-----------------------|-----|-----------------------|
| Calibrated frequency     |     | 32.768 <sup>(1)</sup> |     | kHz                   |
| Temperature coefficient. |     | $\pm 600$             |     | ppm/ $^\circ\text{C}$ |

- (1) When using LFOSC as source for the low frequency system clock (LFCLK), the accuracy of the LFCLK-derived Real Time Clock (RTC) can be improved by measuring LFOSC relative to HFXT and compensating for the RTC tick speed. This functionality is available through the TI-provided Power driver.



## 8.19 Peripheral Characteristics

### 8.19.1 UART

#### 8.19.1.1 UART Characteristics

over operating free-air temperature range (unless otherwise noted)

| PARAMETER | MIN | TYP | MAX | UNIT  |
|-----------|-----|-----|-----|-------|
| UART rate |     |     | 3   | MBaud |

### 8.19.2 SPI

#### 8.19.2.1 SPI Characteristics

over operating free-air temperature range (unless otherwise noted)

| PARAMETERS                   |                     | TEST CONDITIONS                               | MIN | TYP | MAX | UNIT |
|------------------------------|---------------------|---|-----|-----|-----|------|
| fSCLK<br>1/t <sub>sclk</sub> | SPI clock frequency | Primary Mode<br>1.71 < V <sub>DD</sub> < 3.8  |     |     | 12  | MHz  |
|                              |                     | Secondary Mode<br>2.7 < V <sub>DD</sub> < 3.8 |     |     | 8   |      |
|                              |                     | Secondary Mode<br>V <sub>DD</sub> < 2.7       |     |     | 7   |      |
| DC <sub>SCK</sub>            | SCK Duty Cycle      |   | 45  | 50  | 55  | %    |

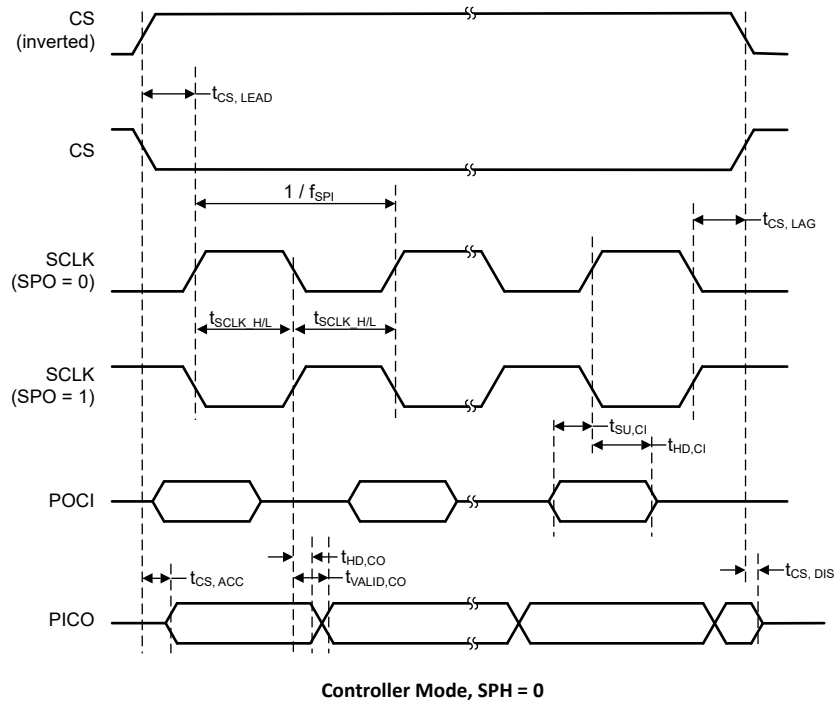
#### 8.19.2.2 SPI Controller Mode

Over operating free-air temperature range (unless otherwise noted)

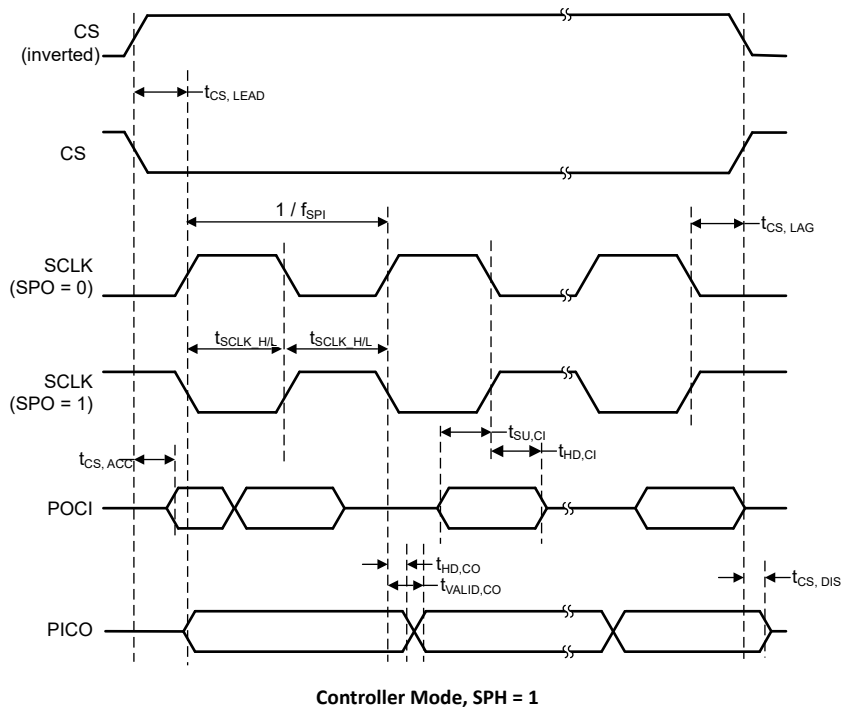
| PARAMETERS            |   | TEST CONDITIONS                                 | MIN                                | TYP               | MAX                                | UNIT |
|-----------------------|---|---|------------------------------------|-------------------|------------------------------------|------|
| t <sub>SCLK_H/L</sub> | SCLK High or Low time                               |   | (t <sub>SP/2</sub> ) <sub>-1</sub> | t <sub>SP/2</sub> | (t <sub>SP/2</sub> ) <sub>+1</sub> | ns   |
| t <sub>CS.LEAD</sub>  | CS lead-time, CS active to clock                    |   | 1                                  |                   |                                    | SCLK |
| t <sub>CS.LAG</sub>   | CS lag time, Last clock to CS inactive              |   | 1                                  |                   |                                    | SCLK |
| t <sub>CS.ACC</sub>   | CS access time, CS active to PICO data out          |   |                                    |                   | 1                                  | SCLK |
| t <sub>CS.DIS</sub>   | CS disable time, CS inactive to PICO high impedance |   |                                    |                   | 1                                  | SCLK |
| t <sub>VALID.CO</sub> | PICO output data valid time <sup>(1)</sup>          | SCLK edge to PICO valid, C <sub>L</sub> = 20 pF |                                    |                   | 13                                 | ns   |
| t <sub>HD.CO</sub>    | PICO output data hold time <sup>(2)</sup>           | C <sub>L</sub> = 20 pF                          | 0                                  |                   |                                    | ns   |

- (1) Specifies the time to drive the next valid data to the output after the output changing SCLK clock edge  
(2) Specifies how long data on the output is valid after the output changing SCLK clock edge

### 8.19.2.3 SPI Timing Diagrams - Controller Mode



**Figure 8-1. SPI Timing Diagram - Controller Mode, SPH = 0**



**Figure 8-2. SPI Timing Diagram - Controller Mode, SPH = 1**

### 8.19.2.4 SPI Peripheral Mode

Over operating free-air temperature range (unless otherwise noted)

| PARAMETERS     |                                  | TEST CONDITIONS | MIN | TYP | MAX | UNIT |
|----------------|----------------------------------|-----------------|-----|-----|-----|------|
| $t_{CS, LEAD}$ | CS lead-time, CS active to clock |                 | 1   |     |     | SCLK |

Over operating free-air temperature range (unless otherwise noted)

| PARAMETERS     |   | TEST CONDITIONS                                  | MIN | TYP | MAX | UNIT |
|----------------|---|--|-----|-----|-----|------|
| $t_{CS,LAG}$   | CS lag time, Last clock to CS inactive              |  | 1   |     |     | SCLK |
| $t_{CS,ACC}$   | CS access time, CS active to POCI data out          | VDDS = 3.3V                                      |     |     | 56  | ns   |
| $t_{CS,ACC}$   | CS access time, CS active to POCI data out          | VDDS = 1.8V                                      |     |     | 70  | ns   |
| $t_{CS,DIS}$   | CS disable time, CS inactive to POCI high impedance | VDDS = 3.3V                                      |     |     | 56  | ns   |
| $t_{CS,DIS}$   | CS disable time, CS inactive to POCI high impedance | VDDS = 1.8V                                      |     |     | 70  | ns   |
| $t_{SU,PI}$    | PICO input data setup time                          |  | 30  |     |     | ns   |
| $t_{HD,PI}$    | PICO input data hold time                           |  | 0   |     |     | ns   |
| $t_{VALID,PO}$ | POCI output data valid time <sup>(1)</sup>          | SCLK edge to POCI valid, $C_L = 20$ pF, 3.3V (4) |     |     | 50  | ns   |
| $t_{VALID,PO}$ | POCI output data valid time <sup>(1)</sup>          | SCLK edge to POCI valid, $C_L = 20$ pF, 1.8V (4) |     |     | 65  | ns   |
| $t_{HD,PO}$    | POCI output data hold time <sup>(2)</sup>           | $C_L = 20$ pF                                    | 0   |     |     | ns   |

(1) Specifies the time to drive the next valid data to the output after the output changing SCLK clock edge

(2) Specifies how long data on the output is valid after the output changing SCLK clock edge

### 8.19.2.5 SPI Timing Diagrams - Peripheral Mode

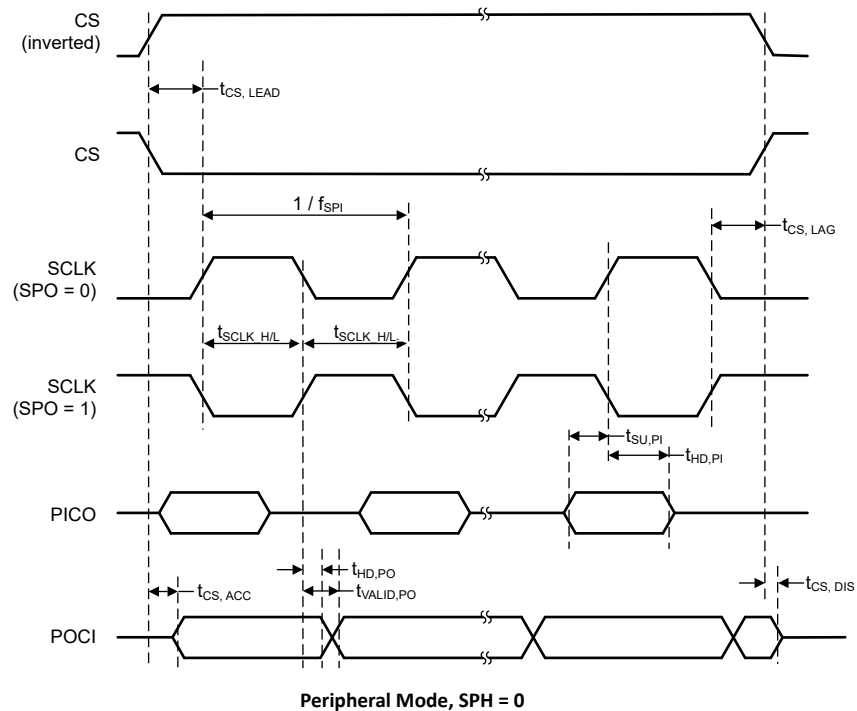
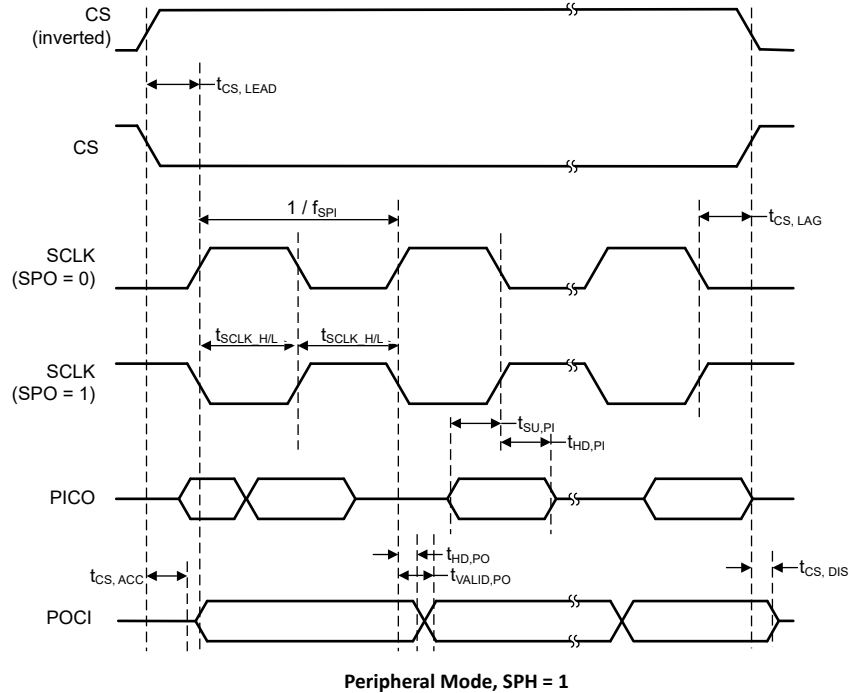


Figure 8-3. SPI Timing Diagram - Peripheral Mode, SPH = 0



**Figure 8-4. SPI Timing Diagram - Peripheral Mode, SPH = 1**

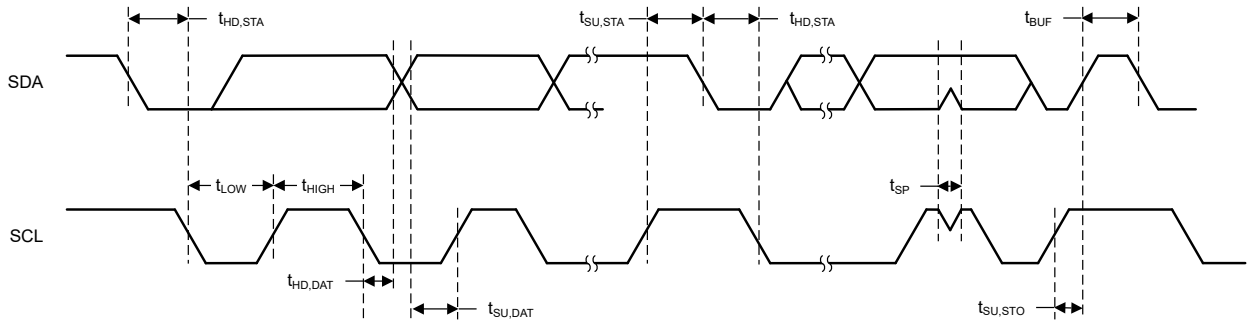
### 8.19.3 I<sup>2</sup>C

#### 8.19.3.1 I<sup>2</sup>C

Over operating free-air temperature range (unless otherwise noted)

| PARAMETERS          |  | TEST CONDITIONS           | MIN | TYP | MAX | UNIT |
|---------------------|--|---------------------------|-----|-----|-----|------|
| f <sub>SCL</sub>    | SCL clock frequency  |                           | 0   |     | 400 | kHz  |
| t <sub>HD,STA</sub> | Hold time (repeated) START                                   | f <sub>SCL</sub> = 100kHz | 4.0 |     |     | μs   |
| t <sub>HD,STA</sub> | Hold time (repeated) START                                   | f <sub>SCL</sub> > 100kHz | 0.6 |     |     | μs   |
| t <sub>SU,STA</sub> | Setup time for a repeated START                              | f <sub>SCL</sub> = 100kHz | 4.7 |     |     | μs   |
| t <sub>SU,STA</sub> | Setup time for a repeated START                              | f <sub>SCL</sub> > 100kHz | 0.6 |     |     | μs   |
| t <sub>HD,DAT</sub> | Data hold time   |                           | 0   |     |     | μs   |
| t <sub>SU,DAT</sub> | Data setup time  |                           | 100 |     |     | μs   |
| t <sub>SU,STO</sub> | Setup time for STOP  | f <sub>SCL</sub> = 100kHz | 4.0 |     |     | μs   |
| t <sub>SU,STO</sub> | Setup time for STOP  | f <sub>SCL</sub> > 100kHz | 0.6 |     |     | μs   |
| t <sub>BUF</sub>    | Bus free time between STOP and START conditions              | f <sub>SCL</sub> = 100kHz | 4.7 |     |     | μs   |
| t <sub>BUF</sub>    | Bus free time between STOP and START conditions              | f <sub>SCL</sub> > 100kHz | 1.3 |     |     | μs   |
| t <sub>SP</sub>     | Pulse duration of spikes suppressed by input deglitch filter |                           | 50  |     |     | ns   |

### 8.19.3.2 I<sup>2</sup>C Timing Diagram



**Figure 8-5. I<sup>2</sup>C Timing Diagram**

## 8.19.4 GPIO

### 8.19.4.1 GPIO DC Characteristics

| PARAMETER   | TEST CONDITIONS   | MIN                  | TYP    | MAX    | UNIT |
|---|---|----------------------|--------|--------|------|
| <b>T<sub>A</sub> = 25 °C, V<sub>DD5</sub> = 1.8 V</b> |   |                      |        |        |      |
| GPIO pullup current                                   | Input mode, pullup enabled, V <sub>pad</sub> = 0 V                | 39.08                | 65.84  | 108.9  | μA   |
| GPIO pulldown current                                 | Input mode, pulldown enabled, V <sub>pad</sub> = V <sub>DD5</sub> | 9.815                | 20.71  | 39.96  | μA   |
| GPIO low-to-high input transition, with hysteresis    | IH = 1, transition voltage for input read as 0 → 1                | 0.9145               | 1.105  | 1.277  | V    |
| GPIO high-to-low input transition, with hysteresis    | IH = 1, transition voltage for input read as 1 → 0                | 0.5891               | 0.752  | 0.9146 | V    |
| GPIO input hysteresis                                 | IH = 1, difference between 0 → 1 and 1 → 0 points                 | 0.2559               | 0.3534 | 0.4401 | V    |
| <b>T<sub>A</sub> = 25 °C, V<sub>DD5</sub> = 3.0 V</b> |   |                      |        |        |      |
| GPIO VOH at 10 mA load                                | high-drive GPIOs only, max drive setting                          | 2.466                |        |        | V    |
| GPIO VOL at 10 mA load                                | high-drive GPIOs only, max drive setting                          |                      |        | 0.2527 | V    |
| GPIO VOH at 2 mA load                                 | standard drive GPIOs  | 2.516                |        |        | V    |
| GPIO VOL at 2 mA load                                 | standard drive GPIOs  |                      |        | 0.1985 | V    |
| <b>T<sub>A</sub> = 25 °C, V<sub>DD5</sub> = 3.8 V</b> |   |                      |        |        |      |
| GPIO pullup current                                   | Input mode, pullup enabled, V <sub>pad</sub> = 0 V                | 169.5                | 261.5  | 392.7  | μA   |
| GPIO pulldown current                                 | Input mode, pulldown enabled, V <sub>pad</sub> = V <sub>DD5</sub> | 60.08                | 109.7  | 171.6  | μA   |
| GPIO low-to-high input transition, with hysteresis    | IH = 1, transition voltage for input read as 0 → 1                | 1.757                | 1.983  | 2.27   | V    |
| GPIO high-to-low input transition, with hysteresis    | IH = 1, transition voltage for input read as 1 → 0                | 1.262                | 1.515  | 1.791  | V    |
| GPIO input hysteresis                                 | IH = 1, difference between 0 → 1 and 1 → 0 points                 | 0.3961               | 0.4689 | 0.5405 | V    |
| <b>T<sub>A</sub> = 25 °C</b>                          |   |                      |        |        |      |
| V <sub>IH</sub>                                       | Lowest GPIO input voltage reliably interpreted as a <i>High</i>   | 0.8*V <sub>DD5</sub> |        |        | V    |
| V <sub>IL</sub>                                       | Highest GPIO input voltage reliably interpreted as a <i>Low</i>   | 0.2*V <sub>DD5</sub> |        |        | V    |

## 8.19.5 ADC

### 8.19.5.1 Analog-to-Digital Converter (ADC) Characteristics

T<sub>C</sub> = 25 °C, V<sub>DD5</sub> = 3.0 V, unless otherwise noted.<sup>(2)</sup>

Performance numbers require use of offset and gain adjustments in software by TI-provided ADC drivers.

| PARAMETER  | TEST CONDITIONS  | MIN  | TYP | MAX                | UNIT             |
|--|--|--|-----|--------------------|------------------|
| <b>ADC Power Supply and Input Range Conditions</b> |  |  |     |                    |                  |
| V <sub>(Ax)</sub>                                  | Analog input voltage range   | All ADC analog input pins Ax   |     | 0                  | V <sub>DD5</sub> |
| I <sub>(ADC)</sub> single-ended mode               | Operating supply current into V <sub>DD5</sub> terminal              | RES = 0x0 (12Bit mode), F <sub>s</sub> = 1.2MSPS, Internal reference OFF (ADCRE <sub>EN</sub> = 0), V <sub>REF+</sub> = V <sub>DD5</sub> |     | 480                | μA               |
|  |  | RES = 0x0 (12Bit mode), F <sub>s</sub> = 266ksps, Internal reference ON (ADCRE <sub>EN</sub> = 0), ADCREF = 2.5V                         |     | 365                |                  |
| C <sub>I GPIO</sub>                                | Input capacitance into a single terminal                             |  | 5   | 7                  | pF               |
| R <sub>I GPIO</sub>                                | Input MUX ON-resistance  |  | 0.5 | 1                  | kΩ               |
| <b>ADC Switching Characteristics</b>               |  |  |     |                    |                  |
| F <sub>S</sub> ADC REF                             | ADC sampling frequency when using the internal ADC reference voltage | ADCRE <sub>EN</sub> = 1, RES = 0x0 (12-bit), V <sub>DD5</sub> = 1.71V to V <sub>DD5max</sub>   |     | 267 <sup>(1)</sup> | ksps             |
| F <sub>S</sub> ADC REF                             | ADC sampling frequency when using the internal ADC reference voltage | ADCRE <sub>EN</sub> = 1, RES = 0x1 (10-bit), V <sub>DD5</sub> = 1.71V to V <sub>DD5max</sub>   |     | 308 <sup>(1)</sup> | ksps             |
| F <sub>S</sub> ADC REF                             | ADC sampling frequency when using the internal ADC reference voltage | ADCRE <sub>EN</sub> = 1, RES = 0x2 (8-bit), V <sub>DD5</sub> = 1.71V to V <sub>DD5max</sub>  |     | 400 <sup>(1)</sup> | ksps             |
| F <sub>S</sub> EXTR EF                             | ADC sampling frequency when using the external ADC reference voltage | ADCRE <sub>EN</sub> = 0, V <sub>REF+</sub> = V <sub>DD5</sub> , RES = 0x0 (12-bit), V <sub>DD5</sub> = 1.71V to V <sub>DD5max</sub>      |     | 1.2 <sup>(1)</sup> | MSPS             |

$T_c = 25\text{ }^\circ\text{C}$ ,  $V_{DD5} = 3.0\text{ V}$ , unless otherwise noted.<sup>(2)</sup>

Performance numbers require use of offset and gain adjustments in software by TI-provided ADC drivers.

| PARAMETER                                    |  | TEST CONDITIONS  | MIN | TYP    | MAX                 | UNIT          |
|--|--|--|-----|--------|---------------------|---------------|
| $F_{S\text{ EXTR EF}}$                       | ADC sampling frequency when using the external ADC reference voltage | ADCREF_EN = 0, $V_{\text{REF+}} = V_{DD5}$ , RES = 0x1 (10-bit), $V_{DD5} = 1.71\text{V}$ to $V_{DD5\text{max}}$ |     |        | 1.33 <sup>(1)</sup> | MSPS          |
| $F_{S\text{ EXTR EF}}$                       | ADC sampling frequency when using the external ADC reference voltage | ADCREF_EN = 0, $V_{\text{REF+}} = V_{DD5}$ , RES = 0x2 (8-bit), $V_{DD5} = 1.71\text{V}$ to $V_{DD5\text{max}}$  |     |        | 1.6 <sup>(1)</sup>  | MSPS          |
| $N_{\text{CONVERT}}$                         | Clock cycles for conversion  | RES = 0x0 (12-bit)   |     | 14     |                     | cycles        |
| $N_{\text{CONVERT}}$                         | Clock cycles for conversion  | RES = 0x1 (10-bit)   |     | 12     |                     | cycles        |
| $N_{\text{CONVERT}}$                         | Clock cycles for conversion  | RES = 0x2 (8-bit)  |     | 9      |                     | cycles        |
| $t_{\text{Sample}}$                          | Sampling time  | RES = 0x0 (12-bit), $R_S = 25\text{ }\Omega$ , $C_{\text{pext}} = 10\text{ pF}$ . +/- 0.5 LSB settling           | 250 |        |                     | ns            |
| $t_{\text{VSUPPLY/3(sample)}}$               | Sample time required when $V_{\text{supply/3}}$ channel is selected  |  | 20  |        |                     | $\mu\text{s}$ |
| <b>ADC Linearity Parameters</b>              |  |  |     |        |                     |               |
| $E_I$  | Integral linearity error (INL) for single-ended inputs               | 12-bit Mode, $V_{R+} = V_{\text{REF+}} = V_{DD5}$ , $V_{DD5} = 1.71\text{--}3.8$                                 |     | +/- 2  |                     | LSB           |
| $E_D$  | Differential linearity error (DNL)                                   | 12-bit Mode, $V_{R+} = V_{\text{REF+}} = V_{DD5}$ , $V_{DD5} = 1.71\text{--}3.8$                                 |     | +/- 1  |                     | LSB           |
| $E_O$  | Offset error   | 12-bit Mode, External reference, $V_{R+} = V_{\text{REF+}} = V_{DD5}$ , $V_{DD5} = 1.71\text{--}3.8$             |     | 1.98   |                     | LSB           |
| $E_O$  | Offset error   | 12-bit Mode, Internal reference, $V_{R+} = \text{ADCREF} = 2.5\text{V}$  |     | 1.02   |                     | LSB           |
| $E_G$  | Gain error   | External Reference, $V_{R+} = V_{\text{REF+}} = V_{DD5}$ , $V_{DD} = 1.71\text{--}3.8$                           |     | +/- 2  |                     | LSB           |
| $E_G$  | Gain error   | Internal reference, $V_{R+} = \text{ADCREF} = 2.5\text{V}$   |     | +/- 40 |                     | LSB           |
| <b>ADC Dynamic Parameters</b>                |  |  |     |        |                     |               |
| ENOB   | Effective number of bits   | ADCREF_EN = 0, $V_{\text{REF+}} = V_{DD5} = 3.3\text{V}$ , $V_{\text{REF-}} = 0\text{V}$ , RES = 0x2 (8-bit)     |     | 8      |                     | bit           |
| ENOB   | Effective number of bits   | ADCREF_EN = 0, $V_{\text{REF+}} = V_{DD5} = 3.3\text{V}$ , $V_{\text{REF-}} = 0\text{V}$ , RES = 0x1 (10-bit)    |     | 9.9    |                     | bit           |
| ENOB   | Effective number of bits   | ADCREF_EN = 0, $V_{\text{REF+}} = V_{DD5} = 3.3\text{V}$ , $V_{\text{REF-}} = 0\text{V}$ , RES = 0x0 (12-bit)    |     | 11.2   |                     | bit           |
| ENOB   | Effective number of bits   | ADCREF_EN = 1, ADCREF_VSEL = {2.5V, 1.4V}, RES = 0x2 (8-bit)   |     | 8      |                     | bit           |
| ENOB   | Effective number of bits   | ADCREF_EN = 1, ADCREF_VSEL = {2.5V, 1.4V}, RES = 0x1 (10-bit)  |     | 9.6    |                     | bit           |
| ENOB   | Effective number of bits   | ADCREF_EN = 1, ADCREF_VSEL = {2.5V, 1.4V}, RES = 0x0 (12-bit)  |     | 10.4   |                     | bit           |
| ENOB   | Effective number of bits   | $V_{DD5}$ reference, RES = 0x0 (12-bit)  |     | 11.2   |                     | bit           |
| SINAD  | Signal-to-noise and distortion ratio                                 | ADCREF_EN = 0, $V_{\text{REF+}} = V_{DD5} = 3.3\text{V}$ , $V_{\text{REF-}} = 0\text{V}$ , RES = 0x0 (12-bit)    |     | 69.18  |                     | dB            |
| SINAD  | Signal-to-noise and distortion ratio                                 | ADCREF_EN = 1, ADCREF_VSEL = {2.5V, 1.4V}, RES = 0x0 (12-bit)  |     | 64.37  |                     | dB            |
| SINAD  | Signal-to-noise and distortion ratio                                 | $V_{DD5}$ reference, RES = 0x0 (12-bit)  |     | 69.18  |                     | dB            |
| <b>ADC External Reference</b>                |  |  |     |        |                     |               |
| EXTREF                                       | Positive external reference voltage input                            | ADCREF_EN=0, ADC reference sourced from external reference pin ( $V_{\text{REF+}}$ )                             | 1.4 |        | $V_{DD5}$           | V             |
| EXTREF                                       | Negative external reference voltage input                            | ADCREF_EN=0, ADC reference sourced from external reference pin ( $V_{\text{REF-}}$ )                             |     |        | 0                   | V             |
| <b>ADC Temperature Diode, Supply Monitor</b> |  |  |     |        |                     |               |

**CC2340R5**

SWRS272C – APRIL 2023 – REVISED JUNE 2023

 $T_c = 25\text{ }^\circ\text{C}$ ,  $V_{DD5} = 3.0\text{ V}$ , unless otherwise noted.<sup>(2)</sup>

Performance numbers require use of offset and gain adjustments in software by TI-provided ADC drivers.

| PARAMETER  |  | TEST CONDITIONS   | MIN | TYP   | MAX | UNIT          |
|--|--|---|-----|-------|-----|---------------|
| ADC Internal Input: $V_{\text{SUPPLY}}/3$ Accuracy | $V_{\text{supply}}$ voltage divider accuracy for supply monitoring     | ADC input channel: $V_{\text{supply}}$ monitor  |     | +/- 1 |     | %             |
| ADC Internal Input: $I_{V_{\text{supply}}/3}$      | $V_{\text{supply}}$ voltage divider current consumption                | ADC input channel $V_{\text{supply}}$ monitor. $V_{\text{supply}}=V_{\text{DD5}}=3.3\text{V}$ |     | 10    |     | $\mu\text{A}$ |
| <b>ADC Internal and VDD5 Reference</b>             |  |   |     |       |     |               |
| VDDSR EF   | Positive ADC reference voltage   | ADC reference sourced from VDD5   |     | VDD5  |     | V             |
| ADCRE F  | Internal ADC Reference Voltage   | ADCRE F_EN = 1, ADCREF_VSEL = 0, VDD5 = 1.71V - VDD5max                                       |     | 1.4   |     | V             |
|  |  | ADCRE F_EN = 1, ADCREF_VSEL = 1, VDD5 = 2.7V - VDD5max  |     | 2.5   |     | V             |
| $I_{\text{ADCRE F}}$                               | Operating supply current into VDDA terminal with internal reference ON | ADCRE F_EN = 1, VDDA = 1.7V to VDDAmax, ADCREF_VSEL = {0,1}                                   |     | 80    |     | $\mu\text{A}$ |
| $t_{\text{ON}}$                                    | Internal ADC Reference Voltage power on-time                           | ADCRE F_EN = 1  |     | 2     |     | $\mu\text{s}$ |

(1) Measured with 48MHz HFOSC

(2) Using IEEE Std 1241-2010 for terminology and test methods



## 8.19.6 Comparators

### 8.19.6.1 Ultra-low power comparator

$T_c = 25\text{ }^\circ\text{C}$ ,  $V_{DD5} = 3.0\text{ V}$ , unless otherwise noted.

| PARAMETER                | TEST CONDITIONS   | MIN | TYP      | MAX       | UNIT          |
|--------------------------|---|-----|----------|-----------|---------------|
| Input voltage range      |   | 0   |          | $V_{DD5}$ | V             |
| Clock frequency          |   |     | 32       |           | KHz           |
| Voltage Divider Accuracy | Input voltage range is between $V_{DD5}/4$ and $V_{DD5}$                      |     | 98       |           | %             |
| Offset                   | Measured at $V_{DD5} / 2$ (Errors seen when using two external inputs )       |     | +/- 27.3 |           | mV            |
| Decision time            | Step from -50 mV to 50 mV   |     | 1        | 3         | Clock Cycle   |
| Comparator enable time   | COMP_LP disable → enable, VIN+, VIN- from pins, Overdrive $\geq 20$ mV        |     | 70       |           | $\mu\text{s}$ |
| Current consumption      | Including using $V_{DD5}/2$ as internal reference at VIN- comparator terminal |     | 270      |           | nA            |

## 9 Detailed Description

### 9.1 Overview

[Section 4](#) shows the core modules of the CC2340R5 device.

### 9.2 System CPU

The CC2340R5 SimpleLink™ Wireless MCU contains an Arm® Cortex®-M0+ system CPU, which runs the application, the protocol stacks, and the radio. The Cortex-M0+ processor is built on a highly area and power optimized 32-bit processor core, with a 2-stage pipeline Von Neumann architecture. The processor delivers exceptional energy efficiency through a small but powerful instruction set and extensively optimized design, providing high-end processing hardware including a single-cycle multiplier. The Cortex-M0+ processor offers multiple benefits to developers including:

- Ultra-low power, energy efficient operation
- Deterministic, high-performance interrupt handling for time-critical applications
- Upward compatibility with the Cortex-M processors family

The Cortex-M0+ processor provides the excellent performance expected of a modern 32-bit architecture core, with higher code density than other 8-bit and 16-bit microcontrollers. Its features include the following:

- ARMv6-M architecture optimized for small-footprint embedded applications
- Subset of Arm Thumb/Thumb-2 mixed 16- and 32-bit instructions delivers the high performance expected of a 32-bit Arm
- Single-cycle multiply instruction
- VTOR supporting offset of the vector table base address
- Serial Wire debug with HW break-point comparators
- Ultra-low-power consumption with integrated sleep modes
- SysTick timer
- 48 MHz operation
- 0.99 DMIPS/MHz

Additionally, the CC2340Rx devices are compatible with all ARM tools and software.

## 9.3 Radio (RF Core)

The low-power RF Core (LRF) implements a high performance and highly flexible RF sub system containing RF and baseband circuitry in addition to a software defined digital radio (LRFD). LRFD provides a high-level, command-based API to the main CPU and handles all of the timing critical and low-level details of many different radio PHYs. Several signals are also available to control external circuitry such as RF switches or range extenders autonomously.

The software-defined modem is not programmable by customers but is instead loaded with pre-compiled images provided in the radio driver in the SimpleLink™ CC23xx software development kit (SDK). This mechanism allows the radio platform to be updated for support of future versions of standards with over-the-air (OTA) updates while still using the same silicon. LRFD stores the code images in the RF SRAM and does not make use of any ROM memory, thus image loading from NV memory only occurs once after boot and also, no patching is required when exiting power modes.

### 9.3.1 Bluetooth 5.3 Low Energy

The RF Core offers full support for Bluetooth 5.3 Low Energy, including the high-speed 2 Mbps physical layer and the 500 kbps and 125 kbps long range PHYs (Coded PHY) through the TI provided Bluetooth 5.3 stack or through a high-level Bluetooth API.

The new high-speed mode allows data transfers up to 2 Mbps, twice the speed of Bluetooth 4.2 and five times the speed of Bluetooth 4.0, without increasing power consumption. In addition to faster speeds, this mode offers significant improvements for energy efficiency and wireless coexistence with reduced radio communication time.

Bluetooth 5.3 also enables unparalleled flexibility for adjustment of speed and range based on application needs, which capitalizes on the high-speed or long-range modes respectively. Data transfers are now possible at 2 Mbps, enabling development of applications using voice, audio, imaging, and data logging that were not previously an option using Bluetooth low energy. With high-speed mode, existing applications deliver faster responses, richer engagement, and longer battery life. Bluetooth 5.3 enables fast, reliable firmware updates.

### 9.3.2 802.15.4 (Thread and Zigbee)

Through a dedicated IEEE radio API, the RF sub-system supports the 2.4-GHz IEEE 802.15.4-2011 physical layer (2 Mcps per second Offset-QPSK with DSSS 1:8), used in Thread and Zigbee protocols. TI also provides royalty-free protocol stacks for Thread and Zigbee as part of the SimpleLink SDK, enabling a robust end-to-end solution.

## 9.4 Memory

The 512 KB nonvolatile (Flash) memory provides storage for code and data. The flash memory is in-system programmable and erasable. A special flash memory sector must contain a Customer Configuration section (CCFG) that is used by boot ROM and TI provided drivers to configure the device. This configuration is done through the `ccfg.c` source file that is included in all TI provided examples.

The ultra-low leakage system static 36 KB RAM (SRAM) can be used for both storage of data and execution of code. Retention of SRAM contents in Standby power mode is enabled by default and included in Standby mode power consumption numbers. System SRAM is always initialized to zeroes upon code execution during boot.

The ROM includes device bootcode firmware handling initial device trimming operations, security configurations and device lifecycle management. The ROM also contains a serial (SPI and UART) bootloader that can be used for initial programming of the device.

## 9.5 Cryptography

The CC2340R5 device comes with AES-128 cryptography hardware accelerator, reducing code footprint and execution time for cryptographic operations. It also has the benefit of being lower power and improves availability and responsiveness of the system because the cryptography operations run in a background hardware thread. The AES hardware accelerators supports the following block cipher modes and message authentication codes:

- AES ECB encrypt
- AES CBC encrypt
- AES CTR encrypt/decrypt
- AES CBC-MAC
- AES GCM
- AEC CCM (uses a combination of CTR + CBC-MAC hardware via software drivers)

The AES hardware accelerator can be fed with plaintext/ciphertext from either CPU or using DMA. Sustained throughput of one 16 byte ECB block per 23 cycles is possible corresponding to > 30 Mbps.

The CC2340R5 device supports Random Number Generation (RNG) using on-chip analog noise as the non-deterministic noise source for the purpose of generating a seed for a cryptographically secure counter deterministic random bit generator (CTR-DRBG) that in turn is used to generate random numbers for keys, initialization vectors (IVs), and other random number requirements. Hardware acceleration of AES CTR-DRBG is supported.

The CC2340R5 device includes a complete SHA 256 library in ROM, reducing the code footprint of the application. Uses cases may include generating digests for use in digital signature algorithms, data integrity checks, and password storage.

Together with a large selection of open-source cryptography libraries provided with the Software Development Kit (SDK), this allows for secure and future proof IoT applications to be easily built on top of the platform.

## 9.6 Timers

A large selection of timers are available as part of the CC2340R5 device. These timers are:

- **Real-Time Clock (RTC)**

The RTC is a 67-bit, 2-channel timer running on the LFCLK system clock. The RTC is active in STANDBY and ACTIVE power states. When the device enters the RESET or SHUTDOWN state the RTC is reset.

The RTC accumulates time elapsed since reset on each LFCLK. The RTC counter is incremented by LFINC at a rate of 32.768 kHz. LFINC indicates the period of LFCLK in  $\mu$ s, with an additional granularity of 16 fractional bits.

The counter can be read from two 32-bit registers. RTC.TIME8U has a range of approximately 9.5 hours with an LSB representing 8 microseconds. RTC.TIME524M has a range of approximately 71.4 years with an LSB representing 524 milliseconds.

There is hardware synchronization between the system timer (SYSTIM) and the RTC so that the multi-channel and higher resolution SYSTIM remain in synchronization with the RTC's time base.

The RTC has two channels: one compare channel and one capture channel and is capable of waking the device out of the standby power state. The RTC compare channel is typically used only by system software and only during the standby power state.

- **System Timer (SYSTIM)**

The SYSTIM is a 34-bit, 5-channel wrap-around timer with a per-channel selectable 32b slice with either a 1  $\mu$ s resolution and 1h11m35s range or 250 ns resolution and 17m54s range. All channels support both capture and single-shot compare (posting an event) operation. One channel is reserved for system software, three channels are reserved for radio software and one channel is freely available to user applications.

For software convenience a hardware synchronization mechanism automatically ensures that the RTC and SYSTIM share a common time base (albeit with different resolutions/spans). Another software convenience

feature is that SYSTIM qualifies any submitted compare values so that the timer channel will immediately trigger if the submitted event is in the immediate past (4.294s with 1 us resolution and 1.049s with 250 ns resolution).

- **General Purpose Timers (LGPT)**

The CC2340R5 device provides four LGPTs with 3 × 16 bit timers and 1 × 24 bit timer, all running on up to 48 MHz. The LGPTs support a wide range of features such as:

- 3 capture/compare channels
- One-shot or periodic counting
- Pulse width modulation (PWM)
- Time counting between edges and edge counting
- Input filter implemented on each of the channels for all timers
- IR generation feature available on Timer-0
- Dead band feature available on Timer-1

The timer capture/compare and PWM signals are connected to IOs via IO controller module (IOC) and the internal timer event connections to CPU, DMA and other peripherals are via the event fabric, which allows the timers to interact with signals such as GPIO inputs, other timers, DMA and ADC. Two LGPTs (2 × 16 bit timers) supports quadrature decoder mode to enable buffered decoding of quadrature-encoded sensor signals. The LGPTs are available in device Active and Idle power modes.

**Table 9-1. Timer Comparison**

| Feature                          | Timer 0              | Timer 1              | Timer 2              | Timer 3              |
|----------------------------------|----------------------|----------------------|----------------------|----------------------|
| Counter Width                    | 16-bit counter width | 24-bit counter width | 24-bit counter width | 24-bit counter width |
| Quadrature Decoder               | Yes                  | No                   | Yes                  | No                   |
| Park Mode on Fault               | No                   | Yes                  | No                   | No                   |
| Programmable Dead-Band Insertion | No                   | Yes                  | No                   | No                   |

- **Watchdog timer**

The watchdog timer is used to regain control if the system operates incorrectly due to software errors. Upon counter expiry, the watchdog timer resets the device when periodic monitoring of the system components and tasks fails to verify proper functionality. The watchdog timer runs on a 32 kHz clock rate and operates in device active, idle, and standby modes and cannot be stopped once enabled.

## 9.7 Serial Peripherals and I/O

The CC2340R5 device provides 1xUART, 1xSPI and 1xI2C serial peripherals

The SPI module supports both SPI controller and peripheral up to 12 MHz with configurable phase and polarity.

The UART module implement universal asynchronous receiver and transmitter functions. They support flexible baud-rate generation up to a maximum of 3 Mbps and IRDA SIR mode of operation.

The I2C module is used to communicate with devices compatible with the I<sup>2</sup>C standard. The I<sup>2</sup>C interface can handle 100 kHz and 400 kHz operation, and can serve as both controller and target.

The I/O controller (IOC) controls the digital I/O pins and contains multiplexer circuitry to allow a set of peripherals to be assigned to I/O pins in a fixed manner over DIOs. All digital I/Os are interrupt and wake-up capable, have a programmable pullup and pulldown function, and can generate an interrupt on a negative or positive edge (configurable). When configured as an output, pins can function as either push-pull, open-drain, or open source. Some GPIOs have high-drive capabilities, which are marked in **bold** in [Section 7](#).

For more information, see the [CC23xx SimpleLink™ Wireless MCU Technical Reference Manual](#).

## 9.8 Battery and Temperature Monitor

A combined temperature and battery voltage monitor is available in the CC2340R5 device. The battery and temperature monitor allows an application to continuously monitor on-chip temperature and supply voltage and respond to changes in environmental conditions as needed. The module contains window comparators to interrupt the system CPU when temperature or supply voltage go outside defined windows. These events can also be used to wake up the device from Standby mode through the Always-On (AON) event fabric.

## 9.9 $\mu$ DMA

The device includes a direct memory access ( $\mu$ DMA) controller. The  $\mu$ DMA controller provides a way to offload data-transfer tasks from the system CPU, thus allowing for more efficient use of the processor and the available bus bandwidth. The  $\mu$ DMA controller can perform a transfer between memory and peripherals. The  $\mu$ DMA controller has dedicated channels for each supported on-chip module and can be programmed to automatically perform transfers between peripherals and memory when the peripheral is ready to transfer more data.

Some features of the  $\mu$ DMA controller include the following (this is not an exhaustive list):

- Channel operation of up to 8 channels, with 6 channels having dedicated peripheral interface and 2 channels having ability to be triggered via configurable events.
- Transfer modes: memory-to-memory, memory-to-peripheral, peripheral-to-memory, and peripheral-to-peripheral
- Data sizes of 8, 16, and 32 bits
- Ping-pong mode for continuous streaming of data

## 9.10 Debug

On-chip debug is supported through the serial wire debug (SWD) interface, which is an ARM bi-directional 2-wire protocol that communicates with the JTAG Test Access Port (TAP) controller and allows for complete debug functionality. SWD is fully compatible with Texas Instruments' XDS family of debug probes.

## 9.11 Power Management

To minimize power consumption, the CC2340R5 supports a number of power modes and power management features (see [Table 9-2](#)).

**Table 9-2. Power Modes**

| MODE                            | SOFTWARE CONFIGURABLE POWER MODES <sup>(1)</sup> |                     |                          |           | RESET PIN HELD |
|---------------------------------|--|---------------------|--------------------------|-----------|----------------|
|                                 | ACTIVE   | IDLE                | STANDBY                  | SHUTDOWN  |                |
| CPU                             | Active   | Off                 | Off                      | Off       | Off            |
| Flash                           | On   | Available           | Off                      | Off       | Off            |
| SRAM                            | On   | On                  | Retention                | Off       | Off            |
| Radio                           | Available  | Available           | Off                      | Off       | Off            |
| Supply System                   | On   | On                  | Duty Cycled              | Off       | Off            |
| CPU register retention          | Full   | Full                | Full <sup>(2)</sup>      | No        | No             |
| SRAM retention                  | Full   | Full                | Full                     | Off       | Off            |
| 48 MHz high-speed clock (HFCLK) | HFOSC (tracks HFXT)                              | HFOSC (tracks HFXT) | Off                      | Off       | Off            |
| 32 kHz low-speed clock (LFCLK)  | LFXT or LFOSC                                    | LFXT or LFOSC       | LFXT or LFOSC            | Off       | Off            |
| Peripherals                     | Available  | Available           | IOC, BATMON, RTC, LPCOMP | Off       | Off            |
| Wake-up on RTC                  | N/A  | Available           | Available                | Off       | Off            |
| Wake-up on pin edge             | N/A  | Available           | Available                | Available | Off            |
| Wake-up on reset pin            | On   | On                  | On                       | On        | On             |
| Brownout detector (BOD)         | On   | On                  | Duty Cycled              | Off       | Off            |
| Power-on reset (POR)            | On   | On                  | On                       | On        | On             |
| Watchdog timer (WDT)            | Available  | Available           | Available                | Off       | Off            |

- (1) "Available" indicates that the specific IP or feature can be enabled by user application in the corresponding device operating modes. "On" indicates that the specific IP or feature is turned on irrespective of the user application configuration of the device in the corresponding device operating mode. "Off" indicates that the specific IP or feature is turned off and not available for the user application in the corresponding device operating mode.
- (2) Software-based retention of CPU registers with context save and restore when entering and exiting standby power mode

In the **Active** mode, both of MCU and AON power domains are powered. Clock gating is used to minimize power consumption. Clock gating to peripherals/subsystems is controlled manually by the CPU..

In **Idle** mode the CPU is in sleep but selected peripherals and subsystems (such as the radio) can be active. Infrastructure (Flash, ROM, SRAM, bus) clock gating is possible depending on state of the DMA and debug subsystem.

In **Standby** mode, only the always-on (AON) domain is active. An external wake-up event, RTC event, or comparator event (LP-COMP) is required to bring the device back to active mode. Pin Reset will also drive the device from Standby to Active. MCU peripherals with retention do not need to be reconfigured when waking up again, and the CPU continues execution from where it went into standby mode. All GPIOs are latched in standby mode.

In **Shutdown** mode, the device is entirely turned off (including the AON domain), and the I/Os are latched with the value they had before entering shutdown mode. A change of state on any I/O pin defined as a *wake from shutdown pin* wakes up the device and functions as a reset trigger. The CPU can differentiate between reset in this way and reset-by-reset pin or power-on reset, or thermal shutdown reset, by reading the reset status register. The only state retained in this mode are the latched I/O state, 3V register bank, and the flash memory contents.

---

### Note

The power, RF and clock management for the CC2340R5 device require specific configuration and handling by software for optimized performance. This configuration and handling is implemented in the TI-provided drivers that are part of the CC2340R5 software development kit (SDK). Therefore, TI highly recommends using this software framework for all application development on the device. The complete [SDK](#) with FreeRTOS, device drivers, and examples are offered free of charge in source code.

---

## 9.12 Clock Systems

The CC2340R5 device has the following internal system clocks.

The 48 MHz HFCLK is used as the main system (MCU and peripherals) clock. This is driven by the internal 48 MHz RC Oscillator (HFOSC), which can track its accuracy against an external 48 MHz crystal (HFXT). Radio operation requires an external 48 MHz crystal.

The 32.768 kHz LFCLK is used as the internal low-frequency system clock. It is used for the RTC, the watchdog timer (if enabled in standby power mode), and to synchronize the radio timer before or after Standby power mode. LFCLK can be driven by the internal 32.8 kHz RC Oscillator (LFOSC), a 32.768 kHz watch-type crystal, or clock input in LFXT bypass mode. When using a crystal or the internal RC oscillator, the device can output the 32 kHz LFCLK signal to other devices, thereby reducing the overall system cost.

## 9.13 Network Processor

Depending on the product configuration, the CC2340R5 device can function as a wireless network processor (WNP - a device running the wireless protocol stack with the application running on a separate host MCU), or as a system-on-chip (SoC - with the application and protocol stack running on the system CPU inside the device).

In the first case, the external host MCU communicates with the device using SPI or UART. In the second case, the application must be written according to the application framework supplied with the wireless protocol stack.



## 10 Application, Implementation, and Layout

---

### Note

Information in the following applications sections is not part of the TI component specification, and TI does not warrant its accuracy or completeness. TI's customers are responsible for determining suitability of components for their purposes, as well as validating and testing their design implementation to confirm system functionality.

---

### 10.1 Reference Designs

The following reference designs should be followed closely when implementing designs using the CC2340R5 device.

Special attention must be paid to RF component placement, decoupling capacitors and DCDC regulator components, as well as ground connections for all of these.

[LP-EM-CC2340R5 Design Files](#)

The CC2340R5 LaunchPad Design Files contain detailed schematics and layouts to build application specific boards using the CC2340R5 device.

[Sub-1 GHz and 2.4 GHz Antenna Kit for LaunchPad™ Development Kit and SensorTag](#)

The antenna kit allows real-life testing to identify the optimal antenna for your application. The antenna kit includes 16 antennas for frequencies from 169 MHz to 2.4 GHz, including:

- PCB antennas
- Helical antennas
- Chip antennas
- Dual-band antennas for 868 MHz and 915 MHz combined with 2.4 GHz

The antenna kit includes a JSC cable to connect to the Wireless MCU LaunchPad Development Kits and SensorTags.

## 10.2 Junction Temperature Calculation

This section shows the different techniques for calculating the junction temperature under various operating conditions. For more details, see [Semiconductor and IC Package Thermal Metrics](#).

There are two recommended ways to derive the junction temperature from other measured temperatures:

1. From package temperature:

$$T_J = \psi_{JT} \times P + T_{\text{case}} \quad (1)$$

2. From board temperature:

$$T_J = \psi_{JB} \times P + T_{\text{board}} \quad (2)$$

P is the power dissipated from the device and can be calculated by multiplying current consumption with supply voltage. Thermal resistance coefficients are found in *Thermal Resistance Characteristics*.

### Example:

In this example, we assume a simple use case where the radio is transmitting continuously at 0 dBm output power. Let us assume we want to maintain a junction temperature equal or less than 85 °C and the supply voltage is 3 V. Using Equation 1, the temperature difference between the top of the case and junction temperature is calculated. To calculate P, look up the current consumption for Tx at 85 °C. At 85 °C the current consumption is approximately 5.5 mA. This means that P is 5.5 mA × 3 V = 16.5 mW.

The maximum case temperature to maintain and junction temperature of 85 °C is then calculated as:

$$T_{\text{case}} < T_J - 0.4^{\circ}\text{C}/\text{W} \times 23.4\text{mW} = 84.99^{\circ}\text{C} \quad (3)$$

For various application use cases current consumption for other modules may have to be added to calculate the appropriate power dissipation. For example, the MCU may be running simultaneously as the radio, peripheral modules may be enabled, and so on. Typically, the easiest way to find the peak current consumption, and thus the peak power dissipation in the device, is to measure as described in the [Measuring CC13xx and CC26xx Current Consumption](#) application report.

## 11 Device and Documentation Support

TI offers an extensive line of development tools. Tools and software to evaluate the performance of the device, generate code, and develop solutions are listed as follows.

### 11.1 Device Nomenclature

To designate the stages in the product development cycle, TI assigns prefixes to all part numbers and/or date-code. Each device has one of three prefixes/identifications: X, P, or null (no prefix) (for example, X is in preview; therefore, an X prefix/identification is assigned).

Device development evolutionary flow:

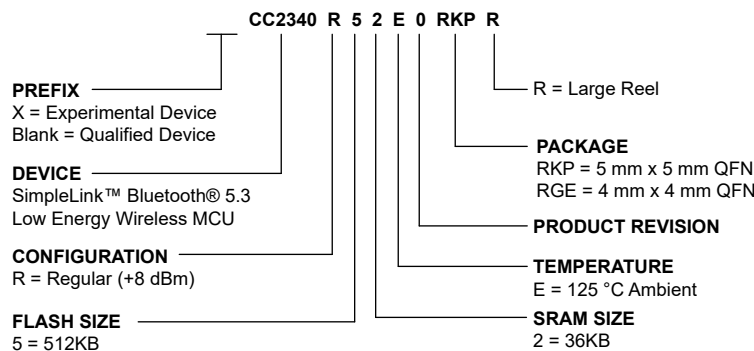
- X** Experimental device that is not necessarily representative of the final device's electrical specifications and may not use production assembly flow.
- P** Prototype device that is not necessarily the final silicon die and may not necessarily meet final electrical specifications.
- null** Production version of the silicon die that is fully qualified.

Production devices have been characterized fully, and the quality and reliability of the device have been demonstrated fully. TI's standard warranty applies.

Predictions show that prototype devices (X or P) have a greater failure rate than the standard production devices. Texas Instruments recommends that these devices not be used in any production system because their expected end-use failure rate still is undefined. Only qualified production devices are to be used.

TI device nomenclature also includes a suffix with the device family name. This suffix indicates the package type (for example, *RHB*).

For orderable part numbers of devices in the RHB (5-mm x 5-mm) package type, see the *Package Option Addendum* of this document, the Device Information in [Section 3](#), the TI website ([www.ti.com](http://www.ti.com)), or contact your TI sales representative.



**Figure 11-1. Device Nomenclature**

### 11.2 Tools and Software

The CC2340R5 device is supported by a variety of software and hardware development tools.

#### Development Kit

[CC2340R5  
LaunchPad™  
Development Kit](#)

The CC2340R5 LaunchPad™ Development Kit enables development of high-performance wireless applications that benefit from low-power operation. The kit features the CC2340R5 SimpleLink Wireless MCU, which allows you to quickly evaluate and prototype 2.4-GHz wireless applications such as Bluetooth 5 Low Energy, Zigbee and Thread, plus combinations of these. The kit works with the LaunchPad ecosystem, easily enabling additional functionality like sensors, display and more.

## Software

### [SimpleLink™ CC23xx software development kit \(SDK\)](#)

The SimpleLink CC23xx software development kit (SDK) provides a complete package for the development of wireless applications on the CC23xx family of devices. The SDK includes a comprehensive software package for the CC2340R5 device, including the following protocol stacks:

- Bluetooth Low Energy 4 and 5.3

The SimpleLink CC23xx SDK is part of TI's SimpleLink MCU platform, offering a single development environment that delivers flexible hardware, software and tool options for customers developing wired and wireless applications. For more information about the SimpleLink MCU Platform, visit <https://www.ti.com/simplelink>.

### Code Composer Studio™ Integrated Development Environment (IDE)

Code Composer Studio is an integrated development environment (IDE) that supports TI's Microcontroller and Embedded Processors portfolio. Code Composer Studio comprises a suite of tools used to develop and debug embedded applications. It includes an optimizing C/C++ compiler, source code editor, project build environment, debugger, profiler, and many other features. The intuitive IDE provides a single user interface taking you through each step of the application development flow. Familiar tools and interfaces allow users to get started faster than ever before. Code Composer Studio combines the advantages of the Eclipse® software framework with advanced embedded debug capabilities from TI resulting in a compelling feature-rich development environment for embedded developers.

CCS has support for all SimpleLink Wireless MCUs and includes support for EnergyTrace™ software (application energy usage profiling). A real-time object viewer plugin is available for TI-RTOS, part of the SimpleLink SDK.

Code Composer Studio is provided free of charge when used in conjunction with the XDS debuggers included on a LaunchPad Development Kit.

### Code Composer Studio™ Cloud IDE

Code Composer Studio (CCS) Cloud is a web-based IDE that allows you to create, edit and build CCS and Energia™ projects. After you have successfully built your project, you can download and run on your connected LaunchPad. Basic debugging, including features like setting breakpoints and viewing variable values is now supported with CCS Cloud.

### IAR Embedded Workbench® for Arm®

IAR Embedded Workbench® is a set of development tools for building and debugging embedded system applications using assembler, C and C++. It provides a completely integrated development environment that includes a project manager, editor, and build tools. IAR has support for all SimpleLink Wireless MCUs. It offers broad debugger support, including XDS110, IAR I-jet™ and Segger J-Link™. A real-time object viewer plugin is available for TI-RTOS, part of the SimpleLink SDK. IAR is also supported out-of-the-box on most software examples provided as part of the SimpleLink SDK.

A 30-day evaluation or a 32 KB size-limited version is available through [iar.com](http://iar.com).

### SmartRF™ Studio

SmartRF™ Studio is a Windows® application that can be used to evaluate and configure SimpleLink Wireless MCUs from Texas Instruments. The application will help designers of RF systems to easily evaluate the radio at an early stage in the design process. It is especially useful for generation of configuration register values and for practical testing and debugging of the RF system. SmartRF Studio can be used either as a standalone application or together with applicable evaluation boards or debug probes for the RF device. Features of the SmartRF Studio include:

- Link tests - send and receive packets between nodes
- Antenna and radiation tests - set the radio in continuous wave TX and RX states
- Export radio configuration code for use with the TI SimpleLink SDK RF driver
- Custom GPIO configuration for signaling and control of external switches

### CCS UniFlash

CCS UniFlash is a standalone tool used to program on-chip flash memory on TI MCUs. UniFlash has a GUI, command line, and scripting interface. CCS UniFlash is available free of charge.

### 11.2.1 SimpleLink™ Microcontroller Platform

The SimpleLink microcontroller platform sets a new standard for developers with the broadest portfolio of wired and wireless Arm® MCUs (System-on-Chip) in a single software development environment. Delivering flexible hardware, software and tool options for your IoT applications. Invest once in the SimpleLink software development kit and use throughout your entire portfolio. Learn more on [ti.com/simplelink](https://ti.com/simplelink).

### 11.3 Documentation Support

To receive notification of documentation updates on data sheets, errata, application notes and similar, navigate to the device product folder ([CC2340R5](#)). In the upper right corner, click on *Alert me* to register and receive a weekly digest of any product information that has changed. For change details, review the revision history included in any revised document.

The current documentation that describes the MCU, related peripherals, and other technical collateral is listed as follows.

#### TI Resource Explorer

[TI Resource Explorer](#) Software examples, libraries, executables, and documentation are available for your device and development board.

#### Errata

[CC2340R5 Silicon Errata](#) The silicon errata describes the known exceptions to the functional specifications for each silicon revision of the device and description on how to recognize a device revision.

#### Application Reports

All application reports for the CC2340R5 device are found on the device product folder ([CC2340R5](#)).

#### Technical Reference Manual (TRM)

[CC23xx SimpleLink™ Wireless MCU TRM](#) The TRM provides a detailed description of all modules and peripherals available in the device family.

### 11.4 Support Resources

[TI E2E™ support forums](#) are an engineer's go-to source for fast, verified answers and design help — straight from the experts. Search existing answers or ask your own question to get the quick design help you need.

Linked content is provided "AS IS" by the respective contributors. They do not constitute TI specifications and do not necessarily reflect TI's views; see TI's [Terms of Use](#).

### 11.5 Trademarks

SimpleLink™, LaunchPad™, Code Composer Studio™, EnergyTrace™, and TI E2E™ are trademarks of Texas Instruments.

I-jet™ is a trademark of IAR Systems AB.

J-Link™ is a trademark of SEGGER Microcontroller Systeme GmbH.

Arm® and Cortex® are registered trademarks of Arm Limited (or its subsidiaries) in the US and/or elsewhere.

Bluetooth® is a registered trademark of Bluetooth SIG.

CoreMark® is a registered trademark of Embedded Microprocessor Benchmark Consortium Corporation.

Wi-Fi® is a registered trademark of Wi-Fi Alliance.

Eclipse® is a registered trademark of Eclipse Foundation.

IAR Embedded Workbench® is a registered trademark of IAR Systems AB.

Windows® is a registered trademark of Microsoft Corporation.

All trademarks are the property of their respective owners.

## 11.6 Electrostatic Discharge Caution



This integrated circuit can be damaged by ESD. Texas Instruments recommends that all integrated circuits be handled with appropriate precautions. Failure to observe proper handling and installation procedures can cause damage.

ESD damage can range from subtle performance degradation to complete device failure. Precision integrated circuits may be more susceptible to damage because very small parametric changes could cause the device not to meet its published specifications.

## 11.7 Glossary

### [TI Glossary](#)

This glossary lists and explains terms, acronyms, and definitions.

## 12 Mechanical, Packaging, and Orderable Information

The following pages include mechanical packaging and orderable information. This information is the most current data available for the designated devices. This data is subject to change without notice and revision of this document. For browser-based versions of this data sheet, refer to the left-hand navigation.



**PACKAGING INFORMATION**

| Orderable Device | Status<br>(1) | Package Type | Package Drawing | Pins | Package Qty | Eco Plan<br>(2) | Lead finish/<br>Ball material<br>(6) | MSL Peak Temp<br>(3) | Op Temp (°C) | Device Marking<br>(4/5) | Samples                 |
|------------------|---------------|--------------|-----------------|------|-------------|-----------------|--------------------------------------|----------------------|--------------|-------------------------|-------------------------|
| CC2340R22E0RKPR  | ACTIVE        | VQFN         | RKP             | 40   | 3000        | RoHS & Green    | NIPDAU                               | Level-3-260C-168 HR  | -40 to 125   | CC2340<br>R22           | <a href="#">Samples</a> |
| CC2340R22N0RKPR  | ACTIVE        | VQFN         | RKP             | 40   | 3000        | RoHS & Green    | NIPDAU                               | Level-3-260C-168 HR  | -40 to 85    | CC2340<br>R22           | <a href="#">Samples</a> |
| CC2340R52E0RGER  | ACTIVE        | VQFN         | RGE             | 24   | 3000        | RoHS & Green    | Call TI   NIPDAU                     | Level-3-260C-168 HR  | -40 to 125   | CC2340<br>R52           | <a href="#">Samples</a> |
| CC2340R52E0RKPR  | ACTIVE        | VQFN         | RKP             | 40   | 3000        | RoHS & Green    | NIPDAU                               | Level-3-260C-168 HR  | -40 to 125   | CC2340<br>R52           | <a href="#">Samples</a> |
| CC2340R52N0RGER  | ACTIVE        | VQFN         | RGE             | 24   | 3000        | RoHS & Green    | NIPDAU                               | Level-3-260C-168 HR  | -40 to 85    | CC2340<br>R52           | <a href="#">Samples</a> |
| CC2340R52N0RKPR  | ACTIVE        | VQFN         | RKP             | 40   | 3000        | RoHS & Green    | NIPDAU                               | Level-3-260C-168 HR  | -40 to 85    | CC2340<br>R52           | <a href="#">Samples</a> |

(1) The marketing status values are defined as follows:

**ACTIVE:** Product device recommended for new designs.

**LIFEBUY:** TI has announced that the device will be discontinued, and a lifetime-buy period is in effect.

**NRND:** Not recommended for new designs. Device is in production to support existing customers, but TI does not recommend using this part in a new design.

**PREVIEW:** Device has been announced but is not in production. Samples may or may not be available.

**OBSOLETE:** TI has discontinued the production of the device.

(2) **RoHS:** TI defines "RoHS" to mean semiconductor products that are compliant with the current EU RoHS requirements for all 10 RoHS substances, including the requirement that RoHS substance do not exceed 0.1% by weight in homogeneous materials. Where designed to be soldered at high temperatures, "RoHS" products are suitable for use in specified lead-free processes. TI may reference these types of products as "Pb-Free".

**RoHS Exempt:** TI defines "RoHS Exempt" to mean products that contain lead but are compliant with EU RoHS pursuant to a specific EU RoHS exemption.

**Green:** TI defines "Green" to mean the content of Chlorine (Cl) and Bromine (Br) based flame retardants meet JS709B low halogen requirements of <=1000ppm threshold. Antimony trioxide based flame retardants must also meet the <=1000ppm threshold requirement.

(3) MSL, Peak Temp. - The Moisture Sensitivity Level rating according to the JEDEC industry standard classifications, and peak solder temperature.

(4) There may be additional marking, which relates to the logo, the lot trace code information, or the environmental category on the device.

(5) Multiple Device Markings will be inside parentheses. Only one Device Marking contained in parentheses and separated by a "~" will appear on a device. If a line is indented then it is a continuation of the previous line and the two combined represent the entire Device Marking for that device.

<sup>(6)</sup> Lead finish/Ball material - Orderable Devices may have multiple material finish options. Finish options are separated by a vertical ruled line. Lead finish/Ball material values may wrap to two lines if the finish value exceeds the maximum column width.

**Important Information and Disclaimer:**The information provided on this page represents TI's knowledge and belief as of the date that it is provided. TI bases its knowledge and belief on information provided by third parties, and makes no representation or warranty as to the accuracy of such information. Efforts are underway to better integrate information from third parties. TI has taken and continues to take reasonable steps to provide representative and accurate information but may not have conducted destructive testing or chemical analysis on incoming materials and chemicals. TI and TI suppliers consider certain information to be proprietary, and thus CAS numbers and other limited information may not be available for release.

In no event shall TI's liability arising out of such information exceed the total purchase price of the TI part(s) at issue in this document sold by TI to Customer on an annual basis.

**OTHER QUALIFIED VERSIONS OF CC2340R5 :**

- Automotive : [CC2340R5-Q1](#)

NOTE: Qualified Version Definitions:

- Automotive - Q100 devices qualified for high-reliability automotive applications targeting zero defects

**TAPE AND REEL INFORMATION**

**QUADRANT ASSIGNMENTS FOR PIN 1 ORIENTATION IN TAPE**


\*All dimensions are nominal

| Device          | Package Type | Package Drawing | Pins | SPQ  | Reel Diameter (mm) | Reel Width W1 (mm) | A0 (mm) | B0 (mm) | K0 (mm) | P1 (mm) | W (mm) | Pin1 Quadrant |
|-----------------|--------------|-----------------|------|------|--------------------|--------------------|---------|---------|---------|---------|--------|---------------|
| CC2340R22E0RKPR | VQFN         | RKP             | 40   | 3000 | 330.0              | 12.4               | 5.3     | 5.3     | 1.1     | 8.0     | 12.0   | Q2            |
| CC2340R22N0RKPR | VQFN         | RKP             | 40   | 3000 | 330.0              | 12.4               | 5.3     | 5.3     | 1.1     | 8.0     | 12.0   | Q2            |
| CC2340R52E0RGER | VQFN         | RGE             | 24   | 3000 | 330.0              | 12.4               | 4.25    | 4.25    | 1.15    | 8.0     | 12.0   | Q2            |
| CC2340R52E0RKPR | VQFN         | RKP             | 40   | 3000 | 330.0              | 12.4               | 5.3     | 5.3     | 1.1     | 8.0     | 12.0   | Q2            |
| CC2340R52N0RGER | VQFN         | RGE             | 24   | 3000 | 330.0              | 12.4               | 4.25    | 4.25    | 1.15    | 8.0     | 12.0   | Q2            |
| CC2340R52N0RKPR | VQFN         | RKP             | 40   | 3000 | 330.0              | 12.4               | 5.3     | 5.3     | 1.1     | 8.0     | 12.0   | Q2            |

**TAPE AND REEL BOX DIMENSIONS**


\*All dimensions are nominal

| Device          | Package Type | Package Drawing | Pins | SPQ  | Length (mm) | Width (mm) | Height (mm) |
|-----------------|--------------|-----------------|------|------|-------------|------------|-------------|
| CC2340R22E0RKPR | VQFN         | RKP             | 40   | 3000 | 367.0       | 367.0      | 35.0        |
| CC2340R22N0RKPR | VQFN         | RKP             | 40   | 3000 | 367.0       | 367.0      | 35.0        |
| CC2340R52E0RGER | VQFN         | RGE             | 24   | 3000 | 367.0       | 367.0      | 35.0        |
| CC2340R52E0RKPR | VQFN         | RKP             | 40   | 3000 | 367.0       | 367.0      | 35.0        |
| CC2340R52N0RGER | VQFN         | RGE             | 24   | 3000 | 367.0       | 367.0      | 35.0        |
| CC2340R52N0RKPR | VQFN         | RKP             | 40   | 3000 | 367.0       | 367.0      | 35.0        |

**RGE 24**

**GENERIC PACKAGE VIEW**

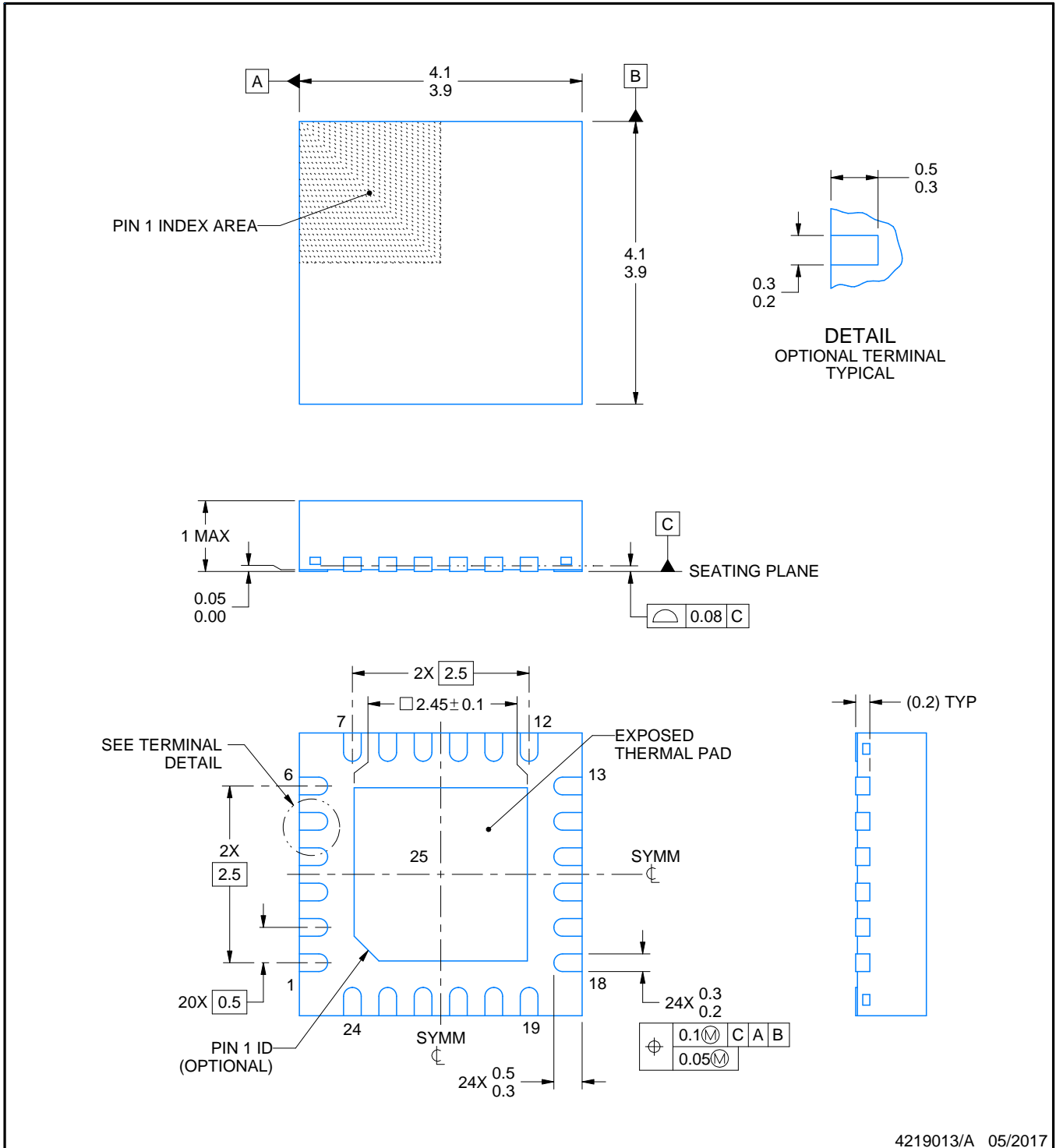
**VQFN - 1 mm max height**

PLASTIC QUAD FLATPACK - NO LEAD



Images above are just a representation of the package family, actual package may vary.  
Refer to the product data sheet for package details.

4204104/H



4219013/A 05/2017

NOTES:

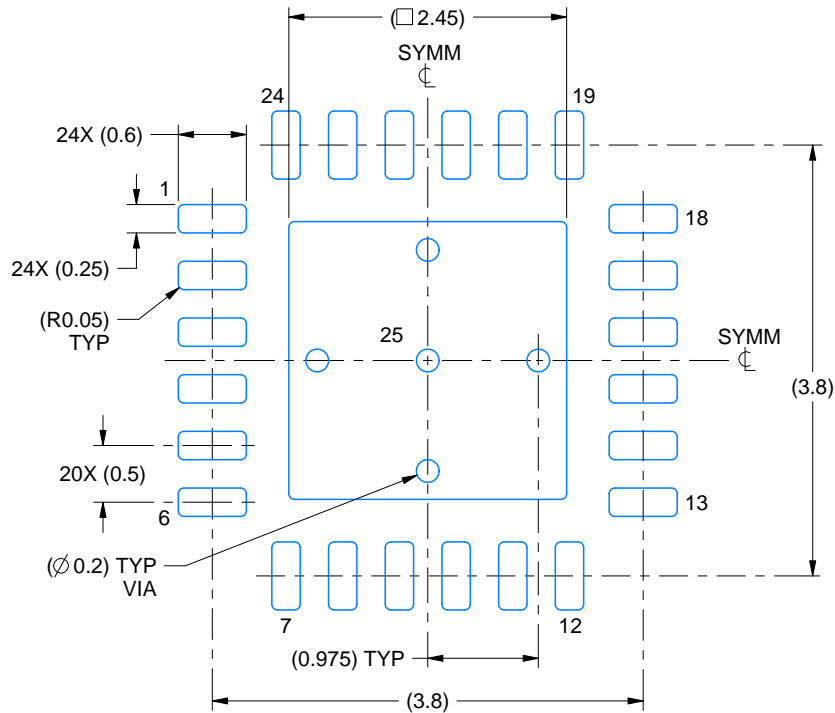
1. All linear dimensions are in millimeters. Any dimensions in parenthesis are for reference only. Dimensioning and tolerancing per ASME Y14.5M.
2. This drawing is subject to change without notice.
3. The package thermal pad must be soldered to the printed circuit board for thermal and mechanical performance.

# EXAMPLE BOARD LAYOUT

RGE0024B

VQFN - 1 mm max height

PLASTIC QUAD FLATPACK - NO LEAD



LAND PATTERN EXAMPLE  
EXPOSED METAL SHOWN  
SCALE:15X



SOLDER MASK DETAILS

4219013/A 05/2017

NOTES: (continued)

4. This package is designed to be soldered to a thermal pad on the board. For more information, see Texas Instruments literature number SLUA271 ([www.ti.com/lit/sluea271](http://www.ti.com/lit/sluea271)).
5. Vias are optional depending on application, refer to device data sheet. If any vias are implemented, refer to their locations shown on this view. It is recommended that vias under paste be filled, plugged or tented.

# EXAMPLE STENCIL DESIGN

RGE0024B

VQFN - 1 mm max height

PLASTIC QUAD FLATPACK - NO LEAD



SOLDER PASTE EXAMPLE  
BASED ON 0.125 mm THICK STENCIL

EXPOSED PAD 25  
78% PRINTED SOLDER COVERAGE BY AREA UNDER PACKAGE  
SCALE:20X

4219013/A 05/2017

NOTES: (continued)

6. Laser cutting apertures with trapezoidal walls and rounded corners may offer better paste release. IPC-7525 may have alternate design recommendations.



## GENERIC PACKAGE VIEW

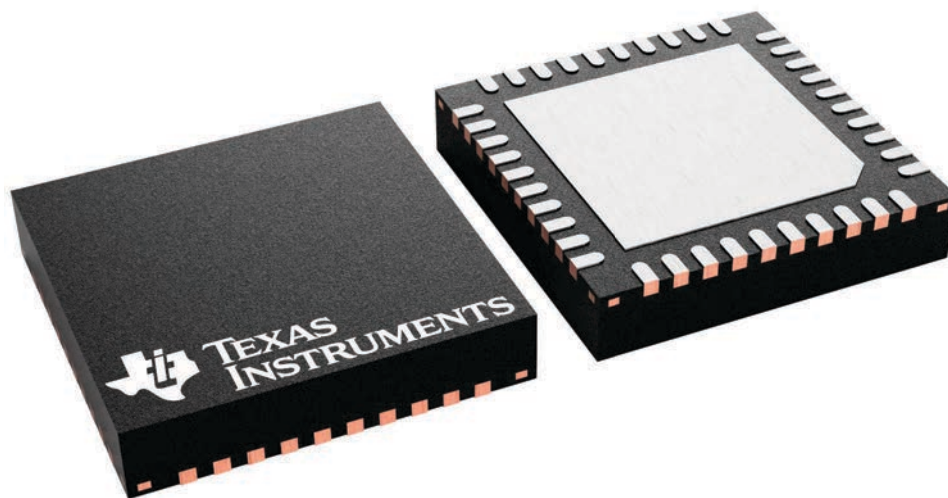
**RKP 40**

**VQFN - 1 mm max height**

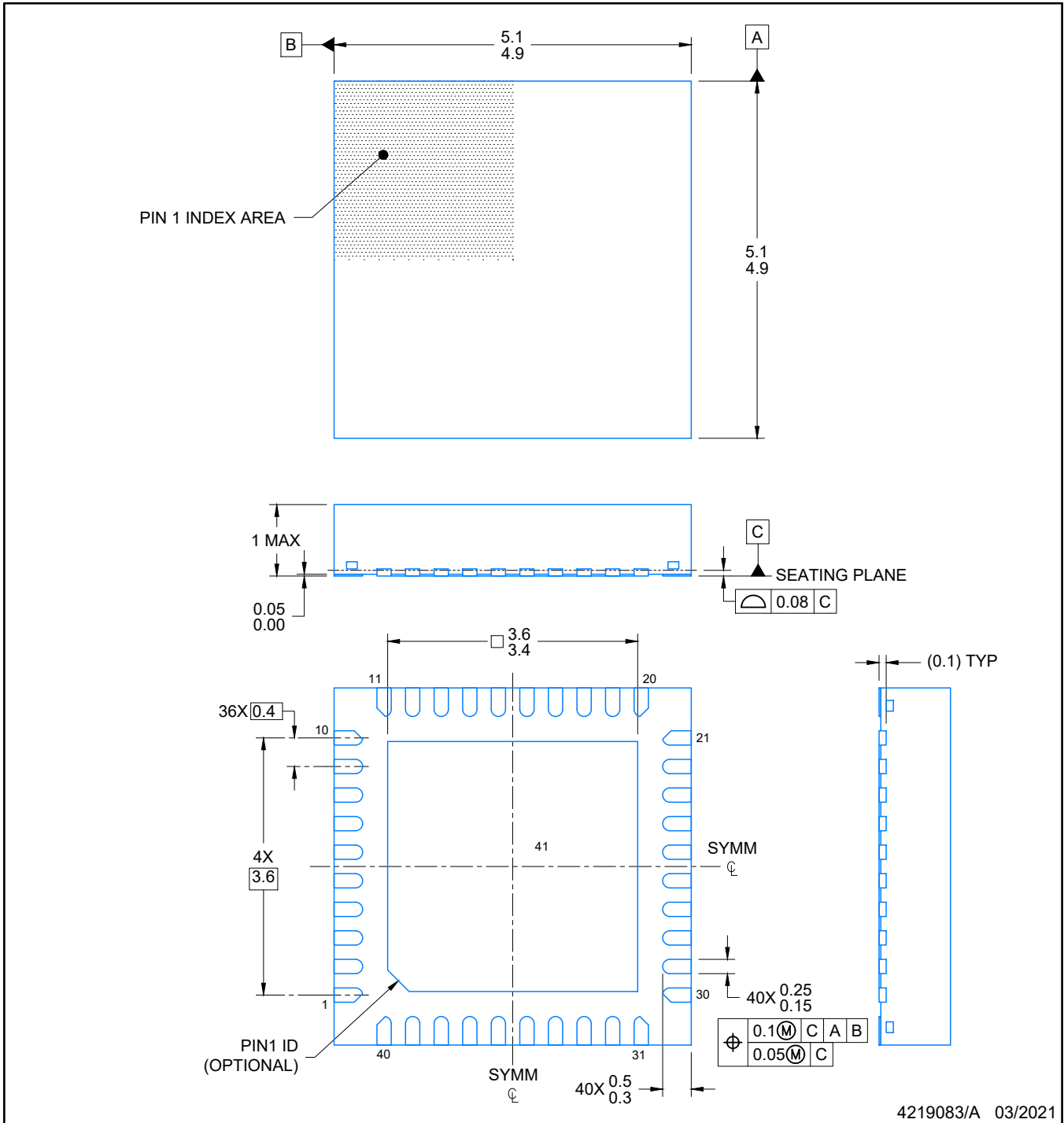
5 x 5, 0.4 mm pitch

PLASTIC QUAD FLATPACK - NO LEAD

This image is a representation of the package family, actual package may vary.  
Refer to the product data sheet for package details.



4229305/A



NOTES:

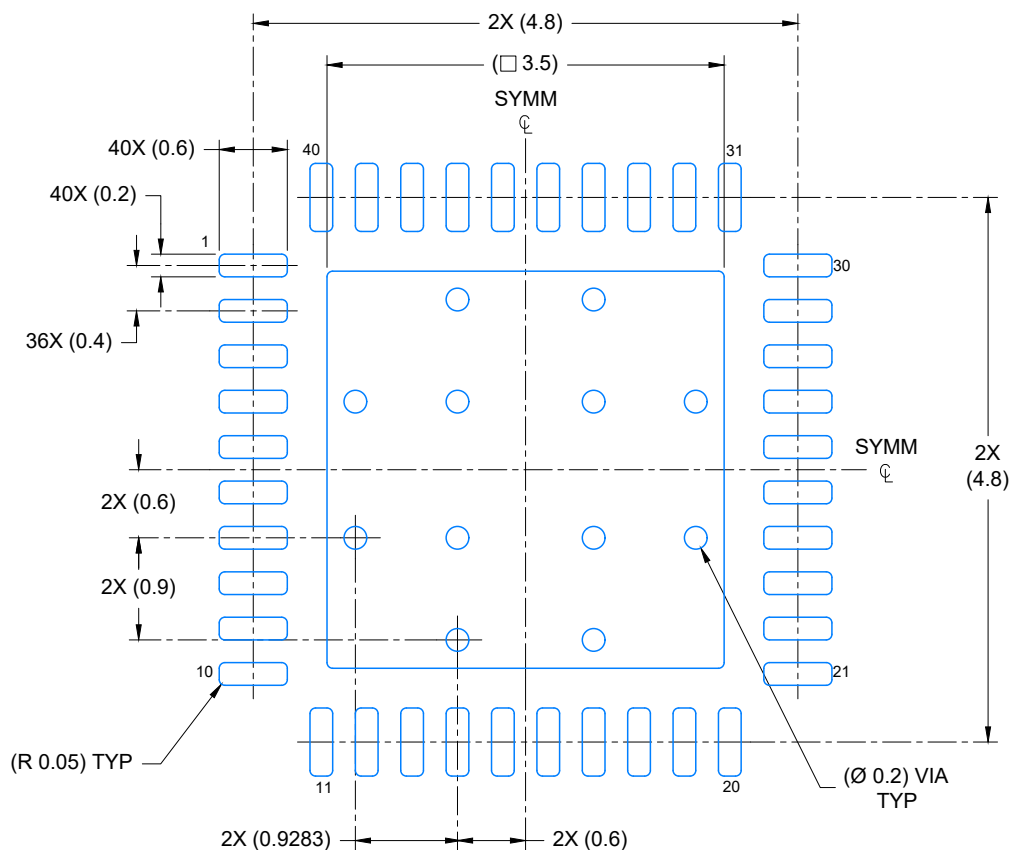
1. All linear dimensions are in millimeters. Any dimensions in parenthesis are for reference only. Dimensioning and tolerancing per ASME Y14.5M.
2. This drawing is subject to change without notice.
3. The package thermal pad must be soldered to the printed circuit board for optimal thermal and mechanical performance.

# EXAMPLE BOARD LAYOUT

RKP0040B

VQFN - 1 mm max height

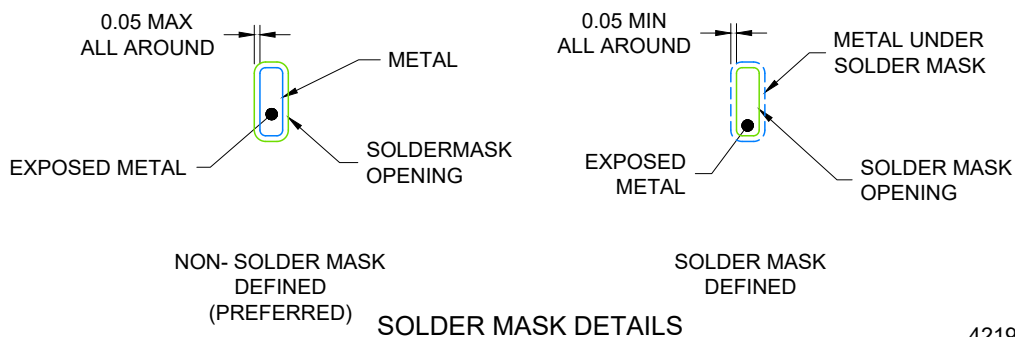
PLASTIC QUAD FLATPACK- NO LEAD



## LAND PATTERN EXAMPLE

EXPOSED METAL SHOWN

SCALE: 15X



4219083/A 03/2021

NOTES: (continued)

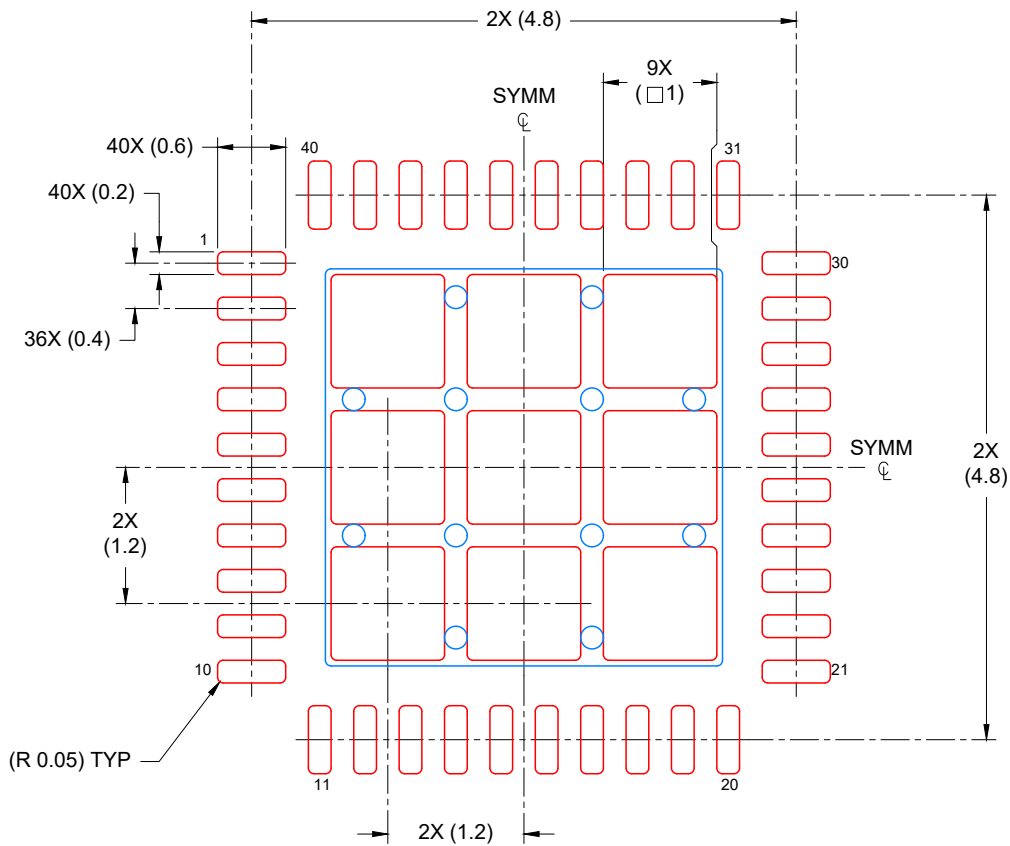
- This package is designed to be soldered to a thermal pad on the board. For more information, see Texas Instruments literature number SLUA271 ([www.ti.com/lit/slua271](http://www.ti.com/lit/slua271)).
- Vias are optional depending on application, refer to device data sheet. If any vias are implemented, refer to their locations shown on this view. It is recommended that vias under paste be filled, plugged or tented.

# EXAMPLE STENCIL DESIGN

VQFN - 1 mm max height

RKP0040B

PLASTIC QUAD FLATPACK- NO LEAD



SOLDER PASTE EXAMPLE  
BASED ON 0.125 mm THICK STENCIL

EXPOSED PAD  
74% PRINTED COVERAGE BY AREA  
SCALE: 15X

4219083/A 03/2021

NOTES: (continued)

6. Laser cutting apertures with trapezoidal walls and rounded corners may offer better paste release. IPC-7525 may have alternate design recommendations.

## IMPORTANT NOTICE AND DISCLAIMER

TI PROVIDES TECHNICAL AND RELIABILITY DATA (INCLUDING DATA SHEETS), DESIGN RESOURCES (INCLUDING REFERENCE DESIGNS), APPLICATION OR OTHER DESIGN ADVICE, WEB TOOLS, SAFETY INFORMATION, AND OTHER RESOURCES "AS IS" AND WITH ALL FAULTS, AND DISCLAIMS ALL WARRANTIES, EXPRESS AND IMPLIED, INCLUDING WITHOUT LIMITATION ANY IMPLIED WARRANTIES OF MERCHANTABILITY, FITNESS FOR A PARTICULAR PURPOSE OR NON-INFRINGEMENT OF THIRD PARTY INTELLECTUAL PROPERTY RIGHTS.

These resources are intended for skilled developers designing with TI products. You are solely responsible for (1) selecting the appropriate TI products for your application, (2) designing, validating and testing your application, and (3) ensuring your application meets applicable standards, and any other safety, security, regulatory or other requirements.

These resources are subject to change without notice. TI grants you permission to use these resources only for development of an application that uses the TI products described in the resource. Other reproduction and display of these resources is prohibited. No license is granted to any other TI intellectual property right or to any third party intellectual property right. TI disclaims responsibility for, and you will fully indemnify TI and its representatives against, any claims, damages, costs, losses, and liabilities arising out of your use of these resources.

TI's products are provided subject to [TI's Terms of Sale](#) or other applicable terms available either on [ti.com](https://www.ti.com) or provided in conjunction with such TI products. TI's provision of these resources does not expand or otherwise alter TI's applicable warranties or warranty disclaimers for TI products.

TI objects to and rejects any additional or different terms you may have proposed.

Mailing Address: Texas Instruments, Post Office Box 655303, Dallas, Texas 75265  
Copyright © 2024, Texas Instruments Incorporated