

## DDC1128 128-Channel, Current-Input Analog-to-Digital Converter

### 1 Features

- Single-Chip Solution to Directly Measure 128 Low-Level Currents
- Proven High-Precision, True Integrating Architecture with 100% Charge Collection
- Easy Upgrade for Existing DDC Family Applications
- Low Power: 3 mW/channel at 3 kSPS
- Extremely Linear:  
INL =  $\pm 0.025\%$  of Reading  $\pm 1$  ppm of FSR
- Low Noise: 6.3 ppm of FSR
- Adjustable Full-Scale Range
- Adjustable Speed
  - Data Rates up to 6 kSPS with 20-bit Performance
  - Integration Times as low as 160  $\mu$ s
- Daisy-Chainable Serial Interface
- In-Package Bypass Capacitors Simplify PCB Design Area and Design Complexity

### 2 Applications

- CT Scanner DAS
- Photodiode Sensors
- X-Ray Detection Systems

### 3 Description

The DDC1128 is a 20-bit, 128-channel, current-input analog-to-digital (A/D) converter. It combines both current-to-voltage and A/D conversion so that 128 separate low-level current output devices, such as photodiodes, can be directly connected to its inputs and digitized.

For each of the 128 inputs, the DDC1128 uses the proven dual switched integrator front-end. This configuration allows for continuous current integration: while one integrator is being digitized by the onboard A/D converter, the other is integrating the input current. This architecture provides both a stable offset and a loss-less collection of the input current. Adjustable integration times range from 160  $\mu$ s to 1s, allowing currents from fAs to  $\mu$ As to be continuously measured with outstanding precision.

The DDC1128 has a serial interface designed for daisy-chaining in multi-device systems. Simply connect the output of one device to the input of the next to create the chain. Common clocking feeds all the devices in the chain so that the digital overhead in a multi-DDC1128 system is minimal.

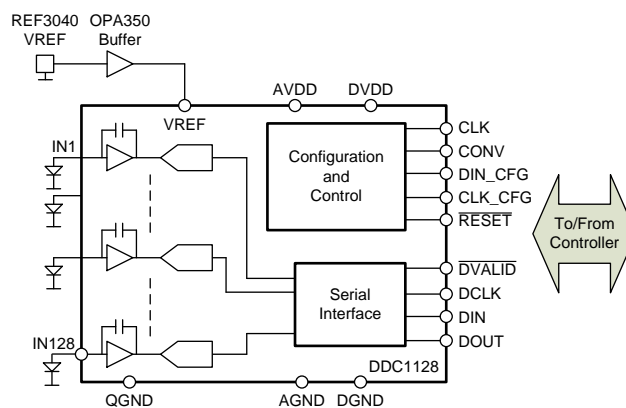
The DDC1128 operates from a +5 V analog supply and a 2.7 V to 3.6 V digital supply, it is specified from 0°C to 70°C operating temperature and it is available in a 9 x 9 mm<sup>2</sup> 192-ball BGA, which includes on board bypass capacitors to help minimize the external component requirements and further reduce board space.

To request a full data sheet or other design resources: [request DDC1128](#)

#### Device Information

ORDER NUMBER	PACKAGE	BODY SIZE
DDC1128	NFBGA (192)	9.00 mm x 9.00 mm

#### Simplified Schematic



## 4 Revision History

### Changes from Original (March 2014) to Revision A

Page

- 
- Added link to request full data sheet ..... 1
-

## 5 Device and Documentation Support

### 5.1 Trademarks

All trademarks are the property of their respective owners.

### 5.2 Electrostatic Discharge Caution



These devices have limited built-in ESD protection. The leads should be shorted together or the device placed in conductive foam during storage or handling to prevent electrostatic damage to the MOS gates.

### 5.3 Glossary

[SLYZ022](#) — *TI Glossary*.

This glossary lists and explains terms, acronyms, and definitions.

## 6 Mechanical, Packaging, and Orderable Information

The following pages include mechanical packaging and orderable information. This information is the most current data available for the designated devices. This data is subject to change without notice and revision of this document. For browser-based versions of this data sheet, refer to the left-hand navigation.

**PACKAGING INFORMATION**

Orderable Device	Status (1)	Package Type	Package Drawing	Pins	Package Qty	Eco Plan (2)	Lead finish/ Ball material (6)	MSL Peak Temp (3)	Op Temp (°C)	Device Marking (4/5)	Samples
DDC1128ZKLR	ACTIVE	NFBGA	ZKL	192	1000	RoHS & Green	SNAGCU	Level-3-260C-168 HR	0 to 70	DDC1128	<a href="#">Samples</a>
DDC1128ZKLT	ACTIVE	NFBGA	ZKL	192	250	RoHS & Green	SNAGCU	Level-3-260C-168 HR	0 to 70	DDC1128	<a href="#">Samples</a>

(1) The marketing status values are defined as follows:

**ACTIVE:** Product device recommended for new designs.

**LIFEBUY:** TI has announced that the device will be discontinued, and a lifetime-buy period is in effect.

**NRND:** Not recommended for new designs. Device is in production to support existing customers, but TI does not recommend using this part in a new design.

**PREVIEW:** Device has been announced but is not in production. Samples may or may not be available.

**OBSOLETE:** TI has discontinued the production of the device.

(2) **RoHS:** TI defines "RoHS" to mean semiconductor products that are compliant with the current EU RoHS requirements for all 10 RoHS substances, including the requirement that RoHS substance do not exceed 0.1% by weight in homogeneous materials. Where designed to be soldered at high temperatures, "RoHS" products are suitable for use in specified lead-free processes. TI may reference these types of products as "Pb-Free".

**RoHS Exempt:** TI defines "RoHS Exempt" to mean products that contain lead but are compliant with EU RoHS pursuant to a specific EU RoHS exemption.

**Green:** TI defines "Green" to mean the content of Chlorine (Cl) and Bromine (Br) based flame retardants meet JS709B low halogen requirements of <=1000ppm threshold. Antimony trioxide based flame retardants must also meet the <=1000ppm threshold requirement.

(3) MSL, Peak Temp. - The Moisture Sensitivity Level rating according to the JEDEC industry standard classifications, and peak solder temperature.

(4) There may be additional marking, which relates to the logo, the lot trace code information, or the environmental category on the device.

(5) Multiple Device Markings will be inside parentheses. Only one Device Marking contained in parentheses and separated by a "~" will appear on a device. If a line is indented then it is a continuation of the previous line and the two combined represent the entire Device Marking for that device.

(6) Lead finish/Ball material - Orderable Devices may have multiple material finish options. Finish options are separated by a vertical ruled line. Lead finish/Ball material values may wrap to two lines if the finish value exceeds the maximum column width.

**Important Information and Disclaimer:**The information provided on this page represents TI's knowledge and belief as of the date that it is provided. TI bases its knowledge and belief on information provided by third parties, and makes no representation or warranty as to the accuracy of such information. Efforts are underway to better integrate information from third parties. TI has taken and continues to take reasonable steps to provide representative and accurate information but may not have conducted destructive testing or chemical analysis on incoming materials and chemicals. TI and TI suppliers consider certain information to be proprietary, and thus CAS numbers and other limited information may not be available for release.

In no event shall TI's liability arising out of such information exceed the total purchase price of the TI part(s) at issue in this document sold by TI to Customer on an annual basis.



**TAPE AND REEL INFORMATION**

**QUADRANT ASSIGNMENTS FOR PIN 1 ORIENTATION IN TAPE**


\*All dimensions are nominal

Device	Package Type	Package Drawing	Pins	SPQ	Reel Diameter (mm)	Reel Width W1 (mm)	A0 (mm)	B0 (mm)	K0 (mm)	P1 (mm)	W (mm)	Pin1 Quadrant
DDC1128ZKLR	NFBGA	ZKL	192	1000	330.0	16.4	9.3	9.3	2.15	12.0	16.0	Q1
DDC1128ZKLT	NFBGA	ZKL	192	250	180.0	16.4	9.3	9.3	2.15	12.0	16.0	Q1

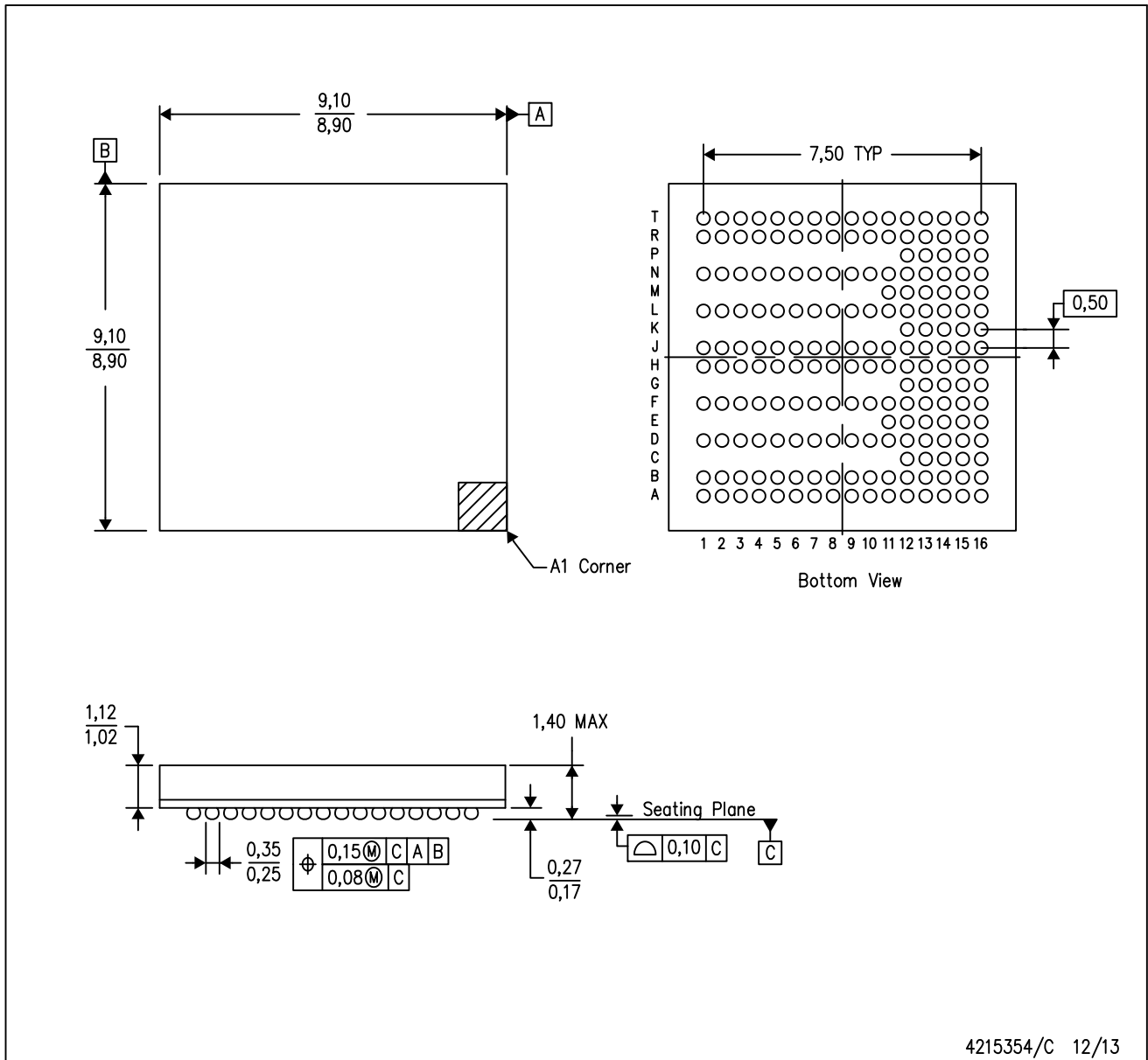
**TAPE AND REEL BOX DIMENSIONS**


\*All dimensions are nominal

Device	Package Type	Package Drawing	Pins	SPQ	Length (mm)	Width (mm)	Height (mm)
DDC1128ZKLR	NFBGA	ZKL	192	1000	350.0	350.0	43.0
DDC1128ZKLT	NFBGA	ZKL	192	250	213.0	191.0	55.0

ZKL (S-PBGA-N192)

PLASTIC BALL GRID ARRAY



- NOTES:
- A. All linear dimensions are in millimeters. Dimensioning and tolerancing per ASME Y1.5M-1994.
  - B. This drawing is subject to change without notice.
  - C. This is a Pb-free solder ball design.



## IMPORTANT NOTICE AND DISCLAIMER

TI PROVIDES TECHNICAL AND RELIABILITY DATA (INCLUDING DATASHEETS), DESIGN RESOURCES (INCLUDING REFERENCE DESIGNS), APPLICATION OR OTHER DESIGN ADVICE, WEB TOOLS, SAFETY INFORMATION, AND OTHER RESOURCES "AS IS" AND WITH ALL FAULTS, AND DISCLAIMS ALL WARRANTIES, EXPRESS AND IMPLIED, INCLUDING WITHOUT LIMITATION ANY IMPLIED WARRANTIES OF MERCHANTABILITY, FITNESS FOR A PARTICULAR PURPOSE OR NON-INFRINGEMENT OF THIRD PARTY INTELLECTUAL PROPERTY RIGHTS.

These resources are intended for skilled developers designing with TI products. You are solely responsible for (1) selecting the appropriate TI products for your application, (2) designing, validating and testing your application, and (3) ensuring your application meets applicable standards, and any other safety, security, or other requirements. These resources are subject to change without notice. TI grants you permission to use these resources only for development of an application that uses the TI products described in the resource. Other reproduction and display of these resources is prohibited. No license is granted to any other TI intellectual property right or to any third party intellectual property right. TI disclaims responsibility for, and you will fully indemnify TI and its representatives against, any claims, damages, costs, losses, and liabilities arising out of your use of these resources.

TI's products are provided subject to TI's Terms of Sale ([www.ti.com/legal/termsofsale.html](http://www.ti.com/legal/termsofsale.html)) or other applicable terms available either on [ti.com](http://ti.com) or provided in conjunction with such TI products. TI's provision of these resources does not expand or otherwise alter TI's applicable warranties or warranty disclaimers for TI products.

Mailing Address: Texas Instruments, Post Office Box 655303, Dallas, Texas 75265  
Copyright © 2020, Texas Instruments Incorporated