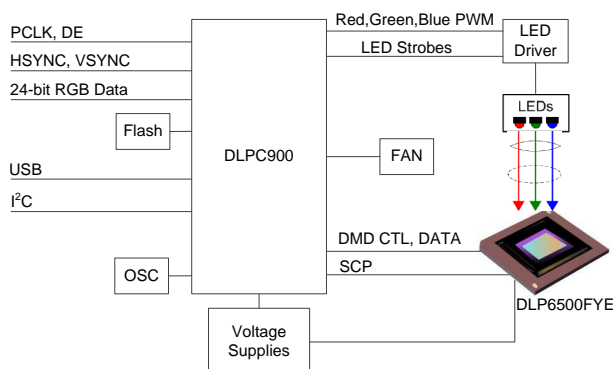


DLP6500 0.65 1080p MVSP S600 DMD

1 Features

- High Resolution 1080p (1920x1080) Array With > 2 Million Micromirrors
 - 0.65-Inch Micromirror Array Diagonal
 - 7.56 μm Micromirror Pitch
 - $\pm 12^\circ$ Micromirror Tilt Angle (Relative to Flat State)
 - Designed for Corner Illumination
- Designed for Use With Broadband Visible Light (420 nm – 700 nm)
 - Window Transmission 97% (Single Pass, Through Two Window Surfaces)
 - Micromirror Reflectivity 88%
 - Array Diffraction Efficiency 86%
 - Array Fill Factor 92%
- Two 16-Bit, Low Voltage Differential Signaling (LVDS), Double Data Rate (DDR) Input-data Buses
- Two Dedicated Controller Options at 400 MHz Input Data Clock Rate
- DLPC900 Digital Controller
 - Up to 9523 Hz (1-Bit Binary Patterns)
 - Up to 19.7 Giga-bits Per Second (1-Bit Binary Patterns)
 - Up to 1031 Hz (8-Bit Gray Patterns Pre-Loaded With Illumination Modulation), External Input Up to 360 Hz
- DLPC910 Digital Controller
 - Up to 11574 Hz (1-Bit Binary Patterns)
 - Up to 24 Giga-bits Per Second (1-Bit Binary Patterns)
 - Up to 1446 Hz (8-Bit Gray Patterns With Illumination Modulation)
- Integrated Micromirror Driver Circuitry

DLPC900 Simplified Diagram



2 Applications

- Industrial
 - 3D Scanners for Machine Vision and Quality Control
 - 3D Printing
 - Direct Imaging Lithography
 - Laser Marking and Repair
- Medical
 - Ophthalmology
 - 3D Scanners for Limb and Skin Measurement
 - Hyper-spectral Imaging
 - Hyper-spectral Scanning
- Displays
 - 3D Imaging Microscopes
 - Intelligent and Adaptive Lighting

3 Description

Featuring over 2 million micromirrors, the high resolution 0.65 1080p digital micromirror device (DMD) is a spatial light modulator (SLM) that modulates the amplitude, direction, and/or phase of incoming light. The unique capability offered by the DLP6500 makes it well suited to support a wide variety of industrial, medical, and advanced imaging applications. Reliable function and operation of the DLP6500 requires that it be used in conjunction with the DLPC900 or the DLPC910 digital controllers. This dedicated chipset provides full HD resolution at high speeds and can be easily integrated into a variety of end equipment solutions.

Device Information⁽¹⁾

PART NUMBER	PACKAGE	BODY SIZE (NOM)
DLP6500	FYE (350)	35.0 mm x 32.2 mm x 5.1 mm

(1) For all available packages, see the orderable addendum at the end of the datasheet.

DLPC910 Simplified Diagram

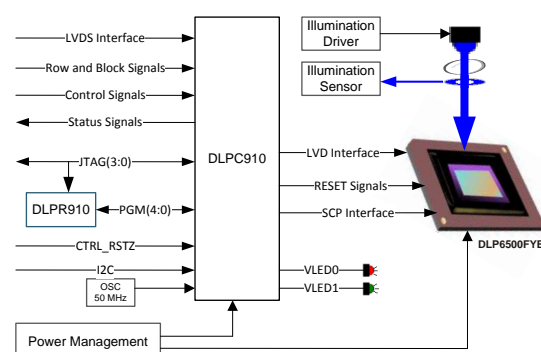


Table of Contents

1	Features	1	7.4	Device Functional Modes.....	29
2	Applications	1	7.5	Window Characteristics and Optics	29
3	Description	1	7.6	Micromirror Array Temperature Calculation.....	30
4	Revision History	2	7.7	Micromirror Landed-on/Landed-Off Duty Cycle	31
5	Pin Configuration and Functions	3	8	Application and Implementation	34
6	Specifications	10	8.1	Application Information.....	34
6.1	Absolute Maximum Ratings	10	8.2	Typical Application	34
6.2	Storage Conditions.....	10	9	Power Supply Requirements	36
6.3	ESD Ratings.....	11	9.1	DMD Power Supply Requirements	36
6.4	Recommended Operating Conditions.....	11	9.2	DMD Power Supply Power-Up Procedure	36
6.5	Thermal Information	13	9.3	DMD Mirror Park Sequence Requirements	36
6.6	Electrical Characteristics.....	14	9.4	DMD Power Supply Power-Down Procedure	37
6.7	Timing Requirements	15	10	Layout	40
6.8	Typical Characteristics.....	19	10.1	Layout Guidelines	40
6.9	System Mounting Interface Loads	20	10.2	Layout Example	40
6.10	Micromirror Array Physical Characteristics	21	11	Device Documentation Support	45
6.11	Micromirror Array Optical Characteristics	22	11.1	Device Support	45
6.12	Window Characteristics.....	23	11.2	Documentation Support	47
6.13	Chipset Component Usage Specification	23	11.3	Community Resources.....	47
7	Detailed Description	24	11.4	Trademarks	47
7.1	Overview	24	11.5	Electrostatic Discharge Caution.....	47
7.2	Functional Block Diagram	25	11.6	Glossary	47
7.3	Feature Description.....	26	12	Mechanical, Packaging, and Orderable Information	47

4 Revision History

Changes from Revision A (February 2016) to Revision B

Page

• Updated features to include additional digital controller.....	1
• Added additional simplified diagram.....	1
• Separated TCASE into TARRAY and TWINDOW and changed TGRADIENT to TDELTA in <i>Absolute Maximum Ratings</i>	10
• Added additional parameters in <i>Storage Conditions</i>	10
• Change TDMD to TArray and TCERAMIC-WINDOW-DELTA to TDELTA, and updated values in <i>Recommended Operating Conditions</i>	12
• Updated current and power section in <i>Electrical Characteristics</i>	14
• Added typical characteristics when DMD is controlled with the DLPC910.....	19
• Added recommended idle mode operation for maximizing mirror useful life.	32
• Added additional typical application schematic.	34
• Added DMD mirror park sequence requirements.....	36
• Added cross reference to the DMD mirror park sequence requirements.....	37
• Updated device nomenclature and markings.	45

Changes from Original (October 2014) to Revision A

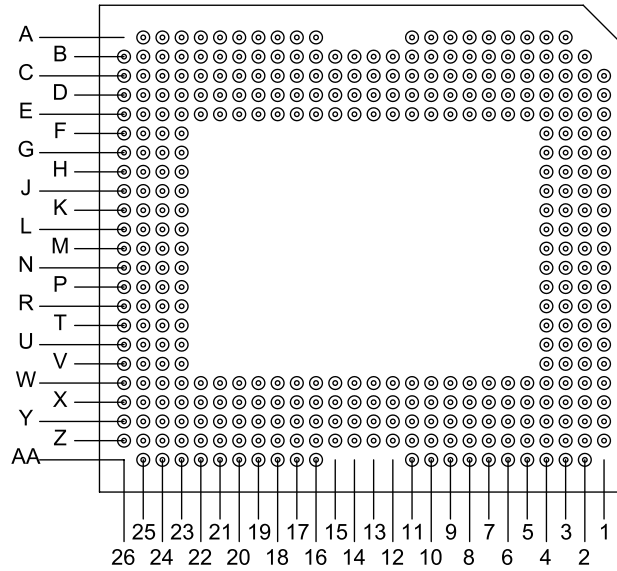
Page

• Changed the <i>Device Information</i> table package dimensions from: 40.6 x 31.8 x 6 mm to: 35.0 x 32.2 x 5.1 mm	1
• Changed Note (4) of the <i>Pin Functions</i> table From: "Dielectric Constant for the DMD" Type A To: "Dielectric Constant for the DMD S600"	4
• Removed pin number Z27 in the <i>Pin Functions (continued)</i> table	9
• Deleted pin number AA25 from VOFFSET in the <i>Pin Functions (continued)</i> table	9

- Changed f_{clock} in [Absolute Maximum Ratings](#) From: "DCLK_A and DCLK_B rows To: one row "DCLK (all channels)" ... 10
- Changed Note (9) of the [Absolute Maximum Ratings](#) table. 10
- Added the [Storage Conditions](#) table 10
- Added the [ESD Ratings](#) table 11
- Changed the test conditions in row 1 of the [Window Characteristics](#) table From: "Corning 7056" To: "Corning Eagle XG" 23
- Changed the test conditions in row 2 of the [Window Characteristics](#) table From: "at wavelength 589 nm" To: "at wavelength 546.1 nm" and the NOM value From: 1.487 To 1.5119 23

5 Pin Configuration and Functions

**FYE Package
350-Pin CPGA
Bottom View**



Pin Functions

PIN ⁽¹⁾		TYPE (I/O/P)	SIGNAL	DATA RATE ⁽²⁾	INTERNAL TERM ⁽³⁾	DESCRIPTION	TRACE (mils) ⁽⁴⁾
NAME	NO.						
DATA BUS A							
D_AN(0)	B14	Input	LVDS	DDR	Differential	Data, Negative	494.88
D_AN(1)	B15	Input	LVDS	DDR	Differential	Data, Negative	486.18
D_AN(2)	C16	Input	LVDS	DDR	Differential	Data, Negative	495.16
D_AN(3)	K24	Input	LVDS	DDR	Differential	Data, Negative	485.67
D_AN(4)	B18	Input	LVDS	DDR	Differential	Data, Negative	494.76
D_AN(5)	L24	Input	LVDS	DDR	Differential	Data, Negative	490.63
D_AN(6)	C19	Input	LVDS	DDR	Differential	Data, Negative	495.16
D_AN(7)	H24	Input	LVDS	DDR	Differential	Data, Negative	485.55
D_AN(8)	H23	Input	LVDS	DDR	Differential	Data, Negative	495.16
D_AN(9)	B25	Input	LVDS	DDR	Differential	Data, Negative	485.59
D_AN(10)	D24	Input	LVDS	DDR	Differential	Data, Negative	495.16
D_AN(11)	E25	Input	LVDS	DDR	Differential	Data, Negative	495.16
D_AN(12)	F25	Input	LVDS	DDR	Differential	Data, Negative	490.04
D_AN(13)	H25	Input	LVDS	DDR	Differential	Data, Negative	485.91
D_AN(14)	L25	Input	LVDS	DDR	Differential	Data, Negative	495.16
D_AN(15)	G24	Input	LVDS	DDR	Differential	Data, Negative	495.16
D_AP(0)	C14	Input	LVDS	DDR	Differential	Data, Positive	494.84
D_AP(1)	B16	Input	LVDS	DDR	Differential	Data, Positive	486.22
D_AP(2)	C17	Input	LVDS	DDR	Differential	Data, Positive	494.65
D_AP(3)	K23	Input	LVDS	DDR	Differential	Data, Positive	488.42
D_AP(4)	B19	Input	LVDS	DDR	Differential	Data, Positive	495.16
D_AP(5)	L23	Input	LVDS	DDR	Differential	Data, Positive	490.67
D_AP(6)	C20	Input	LVDS	DDR	Differential	Data, Positive	498.11
D_AP(7)	J24	Input	LVDS	DDR	Differential	Data, Positive	486.22
D_AP(8)	J23	Input	LVDS	DDR	Differential	Data, Positive	495.47
D_AP(9)	C25	Input	LVDS	DDR	Differential	Data, Positive	485.94
D_AP(10)	E24	Input	LVDS	DDR	Differential	Data, Positive	495.16
D_AP(11)	D25	Input	LVDS	DDR	Differential	Data, Positive	494.13
D_AP(12)	G25	Input	LVDS	DDR	Differential	Data, Positive	488.98
D_AP(13)	J25	Input	LVDS	DDR	Differential	Data, Positive	492.56
D_AP(14)	K25	Input	LVDS	DDR	Differential	Data, Positive	495.16
D_AP(15)	F24	Input	LVDS	DDR	Differential	Data, Positive	495.16
DATA BUS B							
D_BN(0)	Z14	Input	LVDS	DDR	Differential	Data, Negative	494.92
D_BN(1)	Z15	Input	LVDS	DDR	Differential	Data, Negative	486.18
D_BN(2)	Y16	Input	LVDS	DDR	Differential	Data, Negative	496.46
D_BN(3)	P24	Input	LVDS	DDR	Differential	Data, Negative	493.74
D_BN(4)	Z18	Input	LVDS	DDR	Differential	Data, Negative	494.76
D_BN(5)	N24	Input	LVDS	DDR	Differential	Data, Negative	495.16
D_BN(6)	Y19	Input	LVDS	DDR	Differential	Data, Negative	492.16
D_BN(7)	T24	Input	LVDS	DDR	Differential	Data, Negative	492.68

(1) The following power supplies are required to operate the DMD: VCC, VCCI, VOFFSET, VBIAS, and VRESET. VSS must also be connected.

(2) DDR = Double Data Rate.
SDR = Single Data Rate.

Refer to the [Timing Requirements](#) for specifications and relationships.

(3) Internal term = CMOS level internal termination. Refer to [Recommended Operating Conditions](#) for differential termination specification.

(4) Dielectric Constant for the DMD S600 ceramic package is approximately 9.6.

For the package trace lengths shown:

Propagation Speed = $11.8 / \sqrt{9.6} = 3.808$ in/ns.

Propagation Delay = 0.262 ns/in = 262 ps/in = 10.315 ps/mm.

Pin Functions (continued)

PIN ⁽¹⁾		TYPE (I/O/P)	SIGNAL	DATA RATE ⁽²⁾	INTERNAL TERM ⁽³⁾	DESCRIPTION	TRACE (mils) ⁽⁴⁾
NAME	NO.						
D_BN(8)	T23	Input	LVDS	DDR	Differential	Data, Negative	484.45
D_BN(9)	Z25	Input	LVDS	DDR	Differential	Data, Negative	492.09
D_BN(10)	X24	Input	LVDS	DDR	Differential	Data, Negative	497.72
D_BN(11)	W25	Input	LVDS	DDR	Differential	Data, Negative	495.16
D_BN(12)	V25	Input	LVDS	DDR	Differential	Data, Negative	484.17
D_BN(13)	T25	Input	LVDS	DDR	Differential	Data, Negative	481.42
D_BN(14)	N25	Input	LVDS	DDR	Differential	Data, Negative	495.16
D_BN(15)	U24	Input	LVDS	DDR	Differential	Data, Negative	489.8
D_BP(0)	Y14	Input	LVDS	DDR	Differential	Data, Positive	494.88
D_BP(1)	Z16	Input	LVDS	DDR	Differential	Data, Positive	486.26
D_BP(2)	Y17	Input	LVDS	DDR	Differential	Data, Positive	495.16
D_BP(3)	P23	Input	LVDS	DDR	Differential	Data, Positive	492.48
D_BP(4)	Z19	Input	LVDS	DDR	Differential	Data, Positive	495.16
D_BP(5)	N23	Input	LVDS	DDR	Differential	Data, Positive	497.99
D_BP(6)	Y20	Input	LVDS	DDR	Differential	Data, Positive	495.16
D_BP(7)	R24	Input	LVDS	DDR	Differential	Data, Positive	492.05
D_BP(8)	R23	Input	LVDS	DDR	Differential	Data, Positive	484.45
D_BP(9)	Y25	Input	LVDS	DDR	Differential	Data, Positive	492.24
D_BP(10)	W24	Input	LVDS	DDR	Differential	Data, Positive	495.16
D_BP(11)	X25	Input	LVDS	DDR	Differential	Data, Positive	494.72
D_BP(12)	U25	Input	LVDS	DDR	Differential	Data, Positive	483.78
D_BP(13)	R25	Input	LVDS	DDR	Differential	Data, Positive	489.13
D_BP(14)	P25	Input	LVDS	DDR	Differential	Data, Positive	499.53
D_BP(15)	V24	Input	LVDS	DDR	Differential	Data, Positive	488.66
SERIAL CONTROL							
SCTRL_AN	C23	Input	LVDS	DDR	Differential	Serial Control, Negative	492.95
SCTRL_BN	Y23	Input	LVDS	DDR	Differential	Serial Control, Negative	493.78
SCTRL_AP	C24	Input	LVDS	DDR	Differential	Serial Control, Positive	493.78
SCTRL_BP	Y24	Input	LVDS	DDR	Differential	Serial Control, Positive	493.11
CLOCKS							
DCLK_AN	B23	Input	LVDS		Differential	Clock, Negative	480.35
DCLK_BN	Z23	Input	LVDS		Differential	Clock, Negative	486.22
DCLK_AP	B22	Input	LVDS		Differential	Clock, Positive	485.83
DCLK_BP	Z22	Input	LVDS		Differential	Clock, Positive	491.93
SERIAL COMMUNICATIONS PORT (SCP)							
SCP_DO	B8	Output	LVC MOS	SDR		Serial Communications Port Output	
SCP_DI	B7	Input	LVC MOS	SDR	Pull-Down	Serial Communications Port Data Input	
SCP_CLK	B6	Input	LVC MOS		Pull-Down	Serial Communications Port Clock	
SCP_ENZ	C8	Input	LVC MOS		Pull-Down	Active-low Serial Communications Port Enable	
MICROMIRROR RESET CONTROL							
RESET_ADDR(0)	X9	Input	LVC MOS		Pull-Down	Reset Driver Address Select	
RESET_ADDR(1)	X8	Input	LVC MOS		Pull-Down	Reset Driver Address Select	
RESET_ADDR(2)	Z8	Input	LVC MOS		Pull-Down	Reset Driver Address Select	
RESET_ADDR(3)	Z7	Input	LVC MOS		Pull-Down	Reset Driver Address Select	
RESET_MODE(0)	W11	Input	LVC MOS		Pull-Down	Reset Driver Mode Select	
RESET_MODE(1)	Z10	Input	LVC MOS		Pull-Down	Reset Driver Mode Select	
RESET_SEL(0)	Y10	Input	LVC MOS		Pull-Down	Reset Driver Level Select	
RESET_SEL(1)	Y9	Input	LVC MOS		Pull-Down	Reset Driver Level Select	

Pin Functions (continued)

PIN ⁽¹⁾		TYPE (I/O/P)	SIGNAL	DATA RATE ⁽²⁾	INTERNAL TERM ⁽³⁾	DESCRIPTION	TRACE (mils) ⁽⁴⁾
NAME	NO.						
RESET_STROBE	Y7	Input	LVC MOS		Pull-Down	Reset Address, Mode, & Level latched on rising-edge	
ENABLES & INTERRUPTS							
PWRDNZ	D2	Input	LVC MOS		Pull-Down	Active-low Device Reset	
RESET_OEZ	W7	Input	LVC MOS		Pull-Down	Active-low output enable for DMD reset driver circuits	
RESETZ	Z6	Input	LVC MOS		Pull-Down	Active-low sets Reset circuits in known VOFFSET state	
RESET_IRQZ	Z5	Output	LVC MOS			Active-low, output interrupt to ASIC	
VOLTAGE REGULATOR MONITORING							
PG_BIAS	E11	Input	LVC MOS		Pull-Up	Active-low fault from external VBIAS regulator	
PG_OFFSET	B10	Input	LVC MOS		Pull-Up	Active-low fault from external VOFFSET regulator	
PG_RESET	D11	Input	LVC MOS		Pull-Up	Active-low fault from external VRESET regulator	
EN_BIAS	D9	Output	LVC MOS			Active-high enable for external VBIAS regulator	
EN_OFFSET	C9	Output	LVC MOS			Active-high enable for external VOFFSET regulator	
EN_RESET	E9	Output	LVC MOS			Active-high enable for external VRESET regulator	
LEAVE PIN UNCONNECTED							
MBRST(0)	C2	Output	Analog		Pull-Down	For proper DMD operation, do not connect	
MBRST(1)	C3	Output	Analog		Pull-Down	For proper DMD operation, do not connect	
MBRST(2)	C5	Output	Analog		Pull-Down	For proper DMD operation, do not connect	
MBRST(3)	C4	Output	Analog		Pull-Down	For proper DMD operation, do not connect	
MBRST(4)	E5	Output	Analog		Pull-Down	For proper DMD operation, do not connect	
MBRST(5)	E4	Output	Analog		Pull-Down	For proper DMD operation, do not connect	
MBRST(6)	E3	Output	Analog		Pull-Down	For proper DMD operation, do not connect	
MBRST(7)	G4	Output	Analog		Pull-Down	For proper DMD operation, do not connect	
MBRST(8)	G3	Output	Analog		Pull-Down	For proper DMD operation, do not connect	
MBRST(9)	G2	Output	Analog		Pull-Down	For proper DMD operation, do not connect	
MBRST(10)	J4	Output	Analog		Pull-Down	For proper DMD operation, do not connect	
MBRST(11)	J3	Output	Analog		Pull-Down	For proper DMD operation, do not connect	
MBRST(12)	J2	Output	Analog		Pull-Down	For proper DMD operation, do not connect	
MBRST(13)	L4	Output	Analog		Pull-Down	For proper DMD operation, do not connect	
MBRST(14)	L3	Output	Analog		Pull-Down	For proper DMD operation, do not connect	
MBRST(15)	L2	Output	Analog		Pull-Down	For proper DMD operation, do not connect	

Pin Functions (continued)

PIN ⁽¹⁾		TYPE (I/O/P)	SIGNAL	DATA RATE ⁽²⁾	INTERNAL TERM ⁽³⁾	DESCRIPTION	TRACE (mils) ⁽⁴⁾
NAME	NO.						
LEAVE PIN UNCONNECTED							
RESERVED_PFE	E7	Input	LVC MOS		Pull-Down	For proper DMD operation, do not connect	
RESERVED_TM	D13	Input	LVC MOS		Pull-Down	For proper DMD operation, do not connect	
RESERVED_XI1	E13	Input	LVC MOS		Pull-Down	For proper DMD operation, do not connect	
RESERVED_TP0	W12	Input	Analog			For proper DMD operation, do not connect	
RESERVED_TP1	Y11	Input	Analog			For proper DMD operation, do not connect	
RESERVED_TP2	X11	Input	Analog			For proper DMD operation, do not connect	
LEAVE PIN UNCONNECTED							
RESERVED_BA	Y12	Output	LVC MOS			For proper DMD operation, do not connect	
RESERVED_BB	C12	Output	LVC MOS			For proper DMD operation, do not connect	
RESERVED_TS	D5	Output	LVC MOS			For proper DMD operation, do not connect	
LEAVE PIN UNCONNECTED							
NO CONNECT	B11					For proper DMD operation, do not connect	
NO CONNECT	C11					For proper DMD operation, do not connect	
NO CONNECT	C13					For proper DMD operation, do not connect	
NO CONNECT	E12					For proper DMD operation, do not connect	
NO CONNECT	E14					For proper DMD operation, do not connect	
NO CONNECT	E23					For proper DMD operation, do not connect	
NO CONNECT	H4					For proper DMD operation, do not connect	
NO CONNECT	N2					For proper DMD operation, do not connect	
NO CONNECT	N3					For proper DMD operation, do not connect	
NO CONNECT	N4					For proper DMD operation, do not connect	
NO CONNECT	R2					For proper DMD operation, do not connect	
NO CONNECT	R3					For proper DMD operation, do not connect	
NO CONNECT	R4					For proper DMD operation, do not connect	
NO CONNECT	T4					For proper DMD operation, do not connect	
NO CONNECT	U2					For proper DMD operation, do not connect	
NO CONNECT	U3					For proper DMD operation, do not connect	
NO CONNECT	U4					For proper DMD operation, do not connect	
NO CONNECT	W3					For proper DMD operation, do not connect	
NO CONNECT	W4					For proper DMD operation, do not connect	

Pin Functions (continued)

PIN ⁽¹⁾		TYPE (I/O/P)	SIGNAL	DATA RATE ⁽²⁾	INTERNAL TERM ⁽³⁾	DESCRIPTION	TRACE (mils) ⁽⁴⁾
NAME	NO.						
NO CONNECT	W5					For proper DMD operation, do not connect	
NO CONNECT	W13					For proper DMD operation, do not connect	
NO CONNECT	W14					For proper DMD operation, do not connect	
NO CONNECT	W23					For proper DMD operation, do not connect	
NO CONNECT	X4					For proper DMD operation, do not connect	
NO CONNECT	X5					For proper DMD operation, do not connect	
NO CONNECT	X13					For proper DMD operation, do not connect	
NO CONNECT	Y2					For proper DMD operation, do not connect	
NO CONNECT	Y3					For proper DMD operation, do not connect	
NO CONNECT	Y4					For proper DMD operation, do not connect	
NO CONNECT	Y5					For proper DMD operation, do not connect	
NO CONNECT	Z11					For proper DMD operation, do not connect	

Pin Functions

NAME ⁽¹⁾	PIN	TYPE (I/O/P)	SIGNAL	DESCRIPTION
	NO.			
VBIAS	A6, A7, A8, AA6, AA7, AA8	Power	Analog	Supply voltage for positive Bias level of Micromirror reset signal.
VOFFSET	A3, A4, A25	Power	Analog	Supply voltage for HVCMOS logic.
	B26, L26, M26	Power	Analog	Supply voltage for stepped high voltage at Micromirror address electrodes.
	N26, Z26, AA3, AA4	Power	Analog	Supply voltage for positive Offset level of Micromirror reset signal.
VRESET	G1, H1, J1, R1, T1, U1	Power	Analog	Supply voltage for negative Reset level of Micromirror reset signal.
VCC	A9, B3, B5, B12, C1, C6, C10, D4, D6, D8, E1, E2, E10, E15, E16, E17, F3, H2, K1, K3, M4, P1, P3, T2, V3, W1, W2, W6, W9, W10, W15, W16, W17, X3, X6, Y1, Y8, Y13, Z1, Z3, Z12, AA2, AA9, AA10	Power	Analog	Supply voltage for LVCMOS core logic. Supply voltage for normal high level at Micromirror address electrodes. Supply voltage for positive Offset level of Micromirror reset signal during Power Down sequence.
VCCI	A16, A17, A18, A20, A21, A23, AA16, AA17, AA18, AA20, AA21, AA23	Power	Analog	Supply voltage for LVDS receivers.
VSS	A5, A10, A11, A19, A22, A24, B2, B4, B9, B13, B17, B20, B21, B24, C7, C15, C18, C21, C22, C26, D1, D3, D7, D10, D12, D14, D15, D16, D17, D18, D19, D20, D21, D22, D23, D26, E6, E8, E18, E19, E20, E21, E22, E26, F1, F2, F4, F23, F26, G23, G26, H3, H26, J26, K2, K4, K26, L1, M1, M2, M3, M23, M24, M25, N1, P2, P4, P26, R26, T3, T26, U23, U26, V1, V2, V4, V23, V26, W8, W18, W19, W20, W21, W22, W26, X1, X2, X7, X10, X12, X14, X15, X16, X17, X18, X19, X20, X21, X22, X23, X26, Y6, Y15, Y18, Y21, Y22, Y26, Z2, Z4, Z9, Z13, Z17, Z20, Z21, Z24, AA5, AA11, AA19, AA22, AA24	Power	Analog	Device Ground. Common return for all power.

(1) The following power supplies are required to operate the DMD: VCC, VCCI, VOFFSET, VBIAS, and VRESET. VSS must also be connected.

6 Specifications

6.1 Absolute Maximum Ratings

over operating free-air temperature range (unless otherwise noted) ⁽¹⁾

SUPPLY VOLTAGES		MIN	MAX	UNIT
VCC	Supply voltage for LVCMOS core logic ⁽²⁾	-0.5	4	V
VCCI	Supply voltage for LVDS receivers ⁽²⁾	-0.5	4	V
VOFFSET	Supply voltage for HVCMOS and micromirror electrode ^{(2) (3)}	-0.5	9	V
VBIAS	Supply voltage for micromirror electrode ⁽²⁾	-0.5	17	V
VRESET	Supply voltage for micromirror electrode ⁽²⁾	-11	0.5	V
VCC – VCCI	Supply voltage delta (absolute value) ⁽⁴⁾		0.3	V
VBIAS – VOFFSET	Supply voltage delta (absolute value) ⁽⁵⁾		8.75	V
INPUT VOLTAGES				
	Input voltage for all other LVCMOS input pins ⁽²⁾	-0.5	VCC + 0.15	V
	Input voltage for all other LVDS input pins ^{(2) (6)}	-0.5	VCCI + 0.15	V
V _{ID}	Input differential voltage (absolute value) ⁽⁷⁾		700	mV
I _{ID}	Input differential current ⁽⁷⁾		7	mA
CLOCKS				
f _{clock}	Clock frequency for LVDS interface, DCLK (all channels)		460	MHz
ENVIRONMENTAL				
T _{ARRAY} and T _{WINDOW}	Temperature: operational ^{(8) (9)}	0	90	°C
	Temperature: non-operational ⁽⁹⁾	-40	90	
T _{DELTA}	Absolute temperature delta between any point on the window edge and the ceramic test point TP1 ⁽¹⁰⁾		30	°C
T _{DP}	Dew Point temperature, operating and non-operating (non-condensing)		81	°C

- (1) Stresses beyond those listed under *Absolute Maximum Ratings* may cause permanent damage to the device. These are stress ratings only, and functional operation of the device is not implied at these or any other conditions beyond those indicated under *Recommended Operating Conditions*. Exposure above *Recommended Operating Conditions* for extended periods may affect device reliability.
- (2) All voltages are referenced to common ground VSS. Supply voltages VCC, VCCI, VOFFSET, VBIAS, and VRESET are all required for proper DMD operation. VSS must also be connected.
- (3) VOFFSET supply transients must fall within specified voltages.
- (4) To prevent excess current, the supply voltage delta |VCCI – VCC| must be less than specified limit.
- (5) To prevent excess current, the supply voltage delta |VBIAS – VOFFSET| must be less than specified limit. Refer to *Power Supply Requirements* for additional information.
- (6) This maximum LVDS input voltage rating applies when each input of a differential pair is at the same voltage potential.
- (7) LVDS differential inputs must not exceed the specified limit or damage may result to the internal termination resistors
- (8) Exposure of the DMD simultaneously to any combination of the maximum operating conditions for case temperature, differential temperature, or illumination power density will reduce the device lifetime.
- (9) The highest temperature of the active array (as calculated by the *Micromirror Array Temperature Calculation*) or of any point along the Window Edge as defined in [Figure 15](#). The locations of thermal test points TP2, TP3, TP4 and TP5 in [Figure 15](#) are intended to measure the highest window edge temperature. If a particular application causes another point on the window edge to be at a higher temperature, a test point should be added to that location.
- (10) Temperature delta is the highest difference between the ceramic test point 1 (TP1) and anywhere on the window edge as shown in [Figure 15](#). The window test points TP2, TP3, TP4, and TP5 shown in [Figure 15](#) are intended to result in the worst-case delta. If a particular application causes another point on the window edge to result in a larger delta temperature, that point should be used.

6.2 Storage Conditions

applicable before the DMD is installed in the final product

		MIN	MAX	UNIT
T _{DMD}	DMD Storage Temperature	-40	80	°C
T _{DP-AVG}	Average dew point temperature (non-condensing) ⁽¹⁾		28	°C
T _{DP-ELR}	Elevated dew point temperature range (non-condensing) ⁽²⁾	28	36	°C
CT _{ELR}	Cumulative time in elevated dew point temperature range		24	Months

- (1) The average over time (including storage and operating) that the device is not in the 'elevated dew point temperature range'.
- (2) Exposure to dew point temperatures in the elevated range during storage and operation should be limited to less than a total cumulative time of CT_{ELR}.

6.3 ESD Ratings

		VALUE	UNIT
$V_{(ESD)}$	Electrostatic discharge	Human-body model (HBM), per ANSI/ESDA/JEDEC JS-001 ⁽¹⁾	±2000 V

(1) JEDEC document JEP155 states that 500-V HBM allows safe manufacturing with a standard ESD control process.

6.4 Recommended Operating Conditions

over operating free-air temperature range (unless otherwise noted)

		MIN	NOM	MAX	UNIT
SUPPLY VOLTAGES^{(1) (2)}					
VCC	Supply voltage for LVCMOS core logic	3.15	3.3	3.45	V
VCCI	Supply voltage for LVDS receivers	3.15	3.3	3.45	V
VOFFSET	Supply voltage for HVCMOS and micromirror electrodes ⁽²⁾	8.25	8.5	8.75	V
VBIAS	Supply voltage for micromirror electrodes	15.5	16	16.5	V
VRESET	Supply voltage for micromirror electrodes	-9.5	-10	-10.5	V
VCCI-VCC	Supply voltage delta (absolute value) ⁽³⁾			0.3	V
VBIAS-VOFFSET	Supply voltage delta (absolute value) ⁽⁴⁾			8.75	V
LVCMOS PINS					
V_{IH}	High level Input voltage ⁽⁵⁾	1.7	2.5	VCC + 0.15	V
V_{IL}	Low level Input voltage ⁽⁵⁾	-0.3		0.7	V
I_{OH}	High level output current at $V_{OH} = 2.4$ V			-20	mA
I_{OL}	Low level output current at $V_{OL} = 0.4$ V			15	mA
T_{PWRDNZ}	PWRDNZ pulse width ⁽⁶⁾	10			ns
SCP INTERFACE⁽⁷⁾					
f_{clock}	SCP clock frequency ⁽⁸⁾			500	kHz
t_{SCP_SKEW}	Time between valid SCPDI and rising edge of SCPCLK ⁽⁹⁾	-800		800	ns
t_{SCP_DELAY}	Time between valid SCPDO and rising edge of SCPCLK ⁽⁹⁾			700	ns
$t_{SCP_BYTE_INTERVAL}$	Time between consecutive bytes	1			µs
$t_{SCP_NEG_ENZ}$	Time between falling edge of SCPENZ and the first rising edge of SCPCLK	30			ns
$t_{SCP_PW_ENZ}$	SCPENZ inactive pulse width (high level)	1			µs
$t_{SCP_OUT_EN}$	Time required for SCP output buffer to recover after SCPENZ (from tri-state)			1.5	ns
f_{clock}	SCP circuit clock oscillator frequency ⁽¹⁰⁾	9.6		11.1	MHz

- (1) Supply voltages VCC, VCCI, VOFFSET, VBIAS, and VRESET are all required for proper DMD operation. VSS must also be connected.
- (2) VOFFSET supply transients must fall within specified max voltages.
- (3) To prevent excess current, the supply voltage delta |VCCI - VCC| must be less than specified limit.
- (4) To prevent excess current, the supply voltage delta |VBIAS - VOFFSET| must be less than specified limit. Refer to Power Supply Recommendations for additional information.
- (5) Tester Conditions for V_{IH} and V_{IL} :
Frequency = 60 MHz. Maximum Rise Time = 2.5 ns at (20% to 80%)
Frequency = 60 MHz. Maximum Fall Time = 2.5 ns at (80% to 20%)
- (6) PWRDNZ input pin resets the SCP and disables the LVDS receivers. PWRDNZ input pin overrides SCPENZ input pin and tri-states the SCPDO output pin.
- (7) For all Serial Communications Port (SCP) operations, DCLK_A and DCLK_B are required.
- (8) The SCP clock is a gated clock. Duty cycle shall be 50% ± 10%. SCP parameter is related to the frequency of DCLK.
- (9) Refer to [Figure 3](#).
- (10) SCP internal oscillator is specified to operate all SCP registers. For all SCP operations, DCLK is required.

Recommended Operating Conditions (continued)

over operating free-air temperature range (unless otherwise noted)

		MIN	NOM	MAX	UNIT
LVDS INTERFACE					
f_{clock}	Clock frequency for LVDS interface, DCLK (all channels)			400	MHz
$ V_{\text{ID}} $	Input differential voltage (absolute value) ⁽¹¹⁾	100	400	600	mV
V_{CM}	Common mode ⁽¹¹⁾		1200		mV
V_{LVDS}	LVDS voltage ⁽¹¹⁾	0		2000	mV
$t_{\text{LVDS_RSTZ}}$	Time required for LVDS receivers to recover from PWRDNZ			10	ns
Z_{IN}	Internal differential termination resistance	95		105	Ω
Z_{LINE}	Line differential impedance (PWB/trace)	90	100	110	Ω
ENVIRONMENTAL⁽¹²⁾					
T_{ARRAY}	Array temperature – operational, long-term ^{(13) (14) (15)}	10		40 to 70 ⁽¹⁶⁾	$^{\circ}\text{C}$
	Array temperature – operational, short-term ^{(13) (14) (17)}	0		10	
T_{WINDOW}	Window temperature – operational ⁽¹⁸⁾			85	$^{\circ}\text{C}$
$T_{\text{DELTA I}}$	Absolute temperature delta between any point on the window edge and the ceramic test point TP1. ⁽¹⁹⁾			26	$^{\circ}\text{C}$
$T_{\text{DP-AVG}}$	Average dew point temperature (non-condensing) ⁽²⁰⁾			28	$^{\circ}\text{C}$
$T_{\text{DP-ELR}}$	Elevated dew point temperature range (non-condensing) ⁽²¹⁾	28		36	$^{\circ}\text{C}$
CT_{ELR}	Cumulative time in elevated dew point temperature range			24	Months
ILL_{UV}	Illumination, wavelength < 420 nm			0.68	mW/cm ²
ILL_{VIS}	Illumination, wavelengths between 420 and 700 nm			Thermally Limited ⁽²²⁾	mW/cm ²
ILL_{IR}	Illumination, wavelength > 700 nm			10	mW/cm ²

(11) Refer to [Figure 4](#), [Figure 5](#), and [Figure 6](#).

(12) Optimal, long-term performance and optical efficiency of the Digital Micromirror Device (DMD) can be affected by various application parameters, including illumination spectrum, illumination power density, micromirror landed duty-cycle, ambient temperature (storage and operating), DMD temperature, ambient humidity (storage and operating), and power on or off duty cycle. TI recommends that application-specific effects be considered as early as possible in the design cycle.

(13) Simultaneous exposure of the DMD to the maximum [Recommended Operating Conditions](#) for temperature and UV illumination will reduce device lifetime.

(14) The array temperature cannot be measured directly and must be computed analytically from the temperature measured at test point 1 (TP1) shown in [Figure 15](#) and the package thermal resistance in [Thermal Information](#) using [Micromirror Array Temperature Calculation](#).

(15) Long-term is defined as the average over the usable life.

(16) Per [Figure 1](#), the maximum operational case temperature should be derated based on the micromirror landed duty cycle that the DMD experiences in the end application. Refer to [Micromirror Landed-on/Landed-Off Duty Cycle](#) for a definition of micromirror landed duty cycle.

(17) Array temperatures beyond the specified long-term operational DMD temperature are recommended for short-term conditions only (for example, power-up). Short-term is defined as cumulative time over the usable life of the device and is less than 500 hours.

(18) The locations of thermal test points TP2, TP3, TP4 and TP5 in [Figure 15](#) are intended to measure the highest window edge temperature. If a particular application causes another point on the window edge to be at a higher temperature, a test point should be added to that location. This will ensure that the window bond temperature does not exceed the limits in [Absolute Maximum Ratings](#).

(19) Temperature delta is the highest difference between the ceramic test point 1 (TP1) and anywhere on the window edge as shown in [Figure 15](#). The window test points TP2, TP3, TP4 and TP5 shown in [Figure 15](#) are intended to result in the worst-case delta temperature. If a particular application causes another point on the window edge to result in a larger delta temperature, that point should be used.

(20) The average over time (including storage and operating) that the device is not in the 'elevated dew point temperature range'.

(21) Exposure to dew point temperatures in the elevated range during storage and operation should be limited to less than a total cumulative time of CT_{ELR} .

(22) Refer to [Thermal Information](#) and [Micromirror Array Temperature Calculation](#).

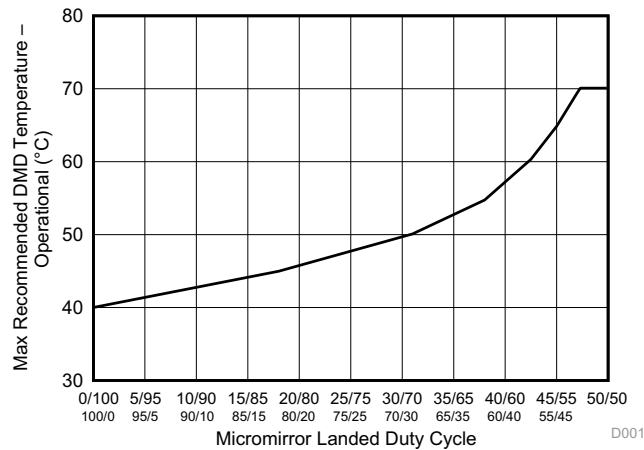


Figure 1. Max Recommended DMD Temperature – Derating Curve

6.5 Thermal Information

THERMAL METRIC ⁽¹⁾	DLP6500	UNIT
	FYE (CPGA)	
	350 PINS	
Active Area-to-Case Ceramic Thermal resistance ⁽¹⁾	0.6	°C/W

(1) The DMD is designed to conduct absorbed and dissipated heat to the back of the package where it can be removed by an appropriate heat sink. The heat sink and cooling system must be capable of maintaining the package within the temperature range specified in the [Recommended Operating Conditions](#). The total heat load on the DMD is largely driven by the incident light absorbed by the active area; although other contributions include light energy absorbed by the window aperture and electrical power dissipation of the array. Optical systems should be designed to minimize the light energy falling outside the window clear aperture since any additional thermal load in this area can significantly degrade the reliability of the device.

6.6 Electrical Characteristics

over operating free-air temperature range (unless otherwise noted)

PARAMETER	DESCRIPTION	TEST CONDITIONS ⁽¹⁾	MIN	TYP	MAX	UNIT
V _{OH}	High-level output voltage	VCC = 3.0 V, I _{OH} = –20 mA	2.4			V
V _{OL}	Low level output voltage	VCC = 3.45 V, I _{OL} = 15 mA			0.4	V
I _{IH}	High-level input current ^{(2) (3)}	VCC = 3.45 V, V _I = VCC			250	μA
I _{IL}	Low level input current	VCC = 3.45 V, V _I = 0	–250			μA
I _{OZ}	High-impedance output current	VCC = 3.45 V			10	μA
CURRENT						
I _{CC}	Supply current ⁽⁴⁾	VCC = 3.45 V			1100	mA
I _{CCI}		VCCI = 3.45 V			510	
I _{OFFSET}	Supply current ⁽⁵⁾	V _{OFFSET} = 8.75 V			25	mA
I _{BIAS}		V _{BIAS} = 16.5 V			14	
I _{RESET}	Supply current	V _{RESET} = –10.5 V			11	mA
I _{TOTAL}		Total Sum			1660	
POWER						
P _{CC}	Supply power dissipation	VCC = 3.45 V			3960	mW
P _{CCI}		VCCI = 3.45 V			1836	
P _{OFFSET}		V _{OFFSET} = 8.75 V			219	
P _{BIAS}		V _{BIAS} = 16.5 V			231	
P _{RESET}		V _{RESET} = –10.5 V			116	
P _{TOTAL}	Supply power dissipation ⁽⁶⁾	Total Sum			6362	
CAPACITANCE						
C _I	Input capacitance	f = 1 MHz			20	pF
C _O	Output capacitance	f = 1 MHz			10	pF
C _M	Reset group capacitance MBRST(14:0)	f = 1 MHz all inputs interconnected, (1920 x 1080) array	330		390	pF

- (1) All voltages are referenced to common ground VSS. Supply voltages VCC, VCCI, V_{OFFSET}, V_{BIAS}, and V_{RESET} are all required for proper DMD operation. VSS must also be connected.
- (2) Applies to LVCMOS input pins only. Does not apply to LVDS pins and MBRST pins.
- (3) LVCMOS input pins utilize an internal 18000 Ω passive resistor for pull-up and pull-down configurations. Refer to [Pin Configuration and Functions](#) to determine pull-up or pull-down configuration used.
- (4) To prevent excess current, the supply voltage delta |VCCI – VCC| must be less than specified limit.
- (5) To prevent excess current, the supply voltage delta |V_{BIAS} – V_{OFFSET}| must be less than specified limit.
- (6) Total power on the active micromirror array is the sum of the electrical power dissipation and the absorbed power from the illumination source. See the [Micromirror Array Temperature Calculation](#).

6.7 Timing Requirements

Over *Recommended Operating Conditions* unless otherwise noted.

DESCRIPTION ⁽¹⁾			MIN	TYP	MAX	UNIT	
SCP INTERFACE⁽²⁾							
t_r	Rise time	20% to 80%			200	ns	
t_f	Fall time	80% to 20%			200	ns	
LVDS INTERFACE⁽²⁾							
t_r	Rise time	20% to 80%	100		400	ps	
t_f	Fall time	80% to 20%	100		400	ps	
LVDS CLOCKS⁽³⁾							
t_c	Cycle time	DCLK_A, 50% to 50%	2.5			ns	
		DCLK_B, 50% to 50%	2.5				
t_w	Pulse duration	DCLK_A, 50% to 50%	1.19	1.25		ns	
		DCLK_B, 50% to 50%	1.19	1.25			
LVDS INTERFACE⁽³⁾							
t_{su}	Setup time	D_A(15:0) before rising or falling edge of DCLK_A	0.1			ns	
		D_B(15:0) before rising or falling edge of DCLK_B	0.1				
t_{su}	Setup time	SCTRL_A before rising or falling edge of DCLK_A	0.1			ns	
		SCTRL_B before rising or falling edge of DCLK_B	0.1				
t_h	Hold time	D_A(15:0) after rising or falling edge of DCLK_A	0.4			ns	
		D_B(15:0) after rising or falling edge of DCLK_B	0.4				
t_h	Hold time	SCTRL_A after rising or falling edge of DCLK_A	0.3			ns	
		SCTRL_B after rising or falling edge of DCLK_B	0.3				
LVDS INTERFACE⁽⁴⁾							
t_{skew}	Skew time	Channel B relative to Channel A ⁽⁴⁾	Channel A includes the following LVDS pairs: DCLK_AP and DCLK_AN SCTRL_AP and SCTRL_AN D_AP(15:0) and D_AN(15:0)		-1.25	1.25	ns
			Channel B includes the following LVDS pairs: DCLK_BP and DCLK_BN SCTRL_BP and SCTRL_BN D_BP(15:0) and D_BN(15:0)				

(1) Refer to *Pin Configuration and Functions* for pin details.

(2) Refer to *Figure 7*.

(3) Refer to *Figure 8*.

(4) Refer to *Figure 9*.

Timing Diagrams

The data sheet provides timing at the device pin. For output timing analysis, the tester pin electronics and its transmission line effects must be taken into account. *Figure 2* shows an equivalent test load circuit for the output under test. The load capacitance value stated is only for characterization and measurement of AC timing signals. This load capacitance value does not indicate the maximum load the device is capable of driving.

Timing reference loads are not intended as a precise representation of any particular system environment or depiction of the actual load presented by a production test. System designers should use IBIS or other simulation tools to correlate the timing reference load to a system environment. Refer to the *Application and Implementation* section.

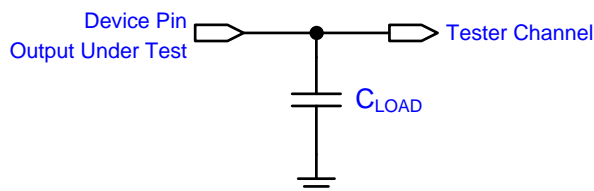
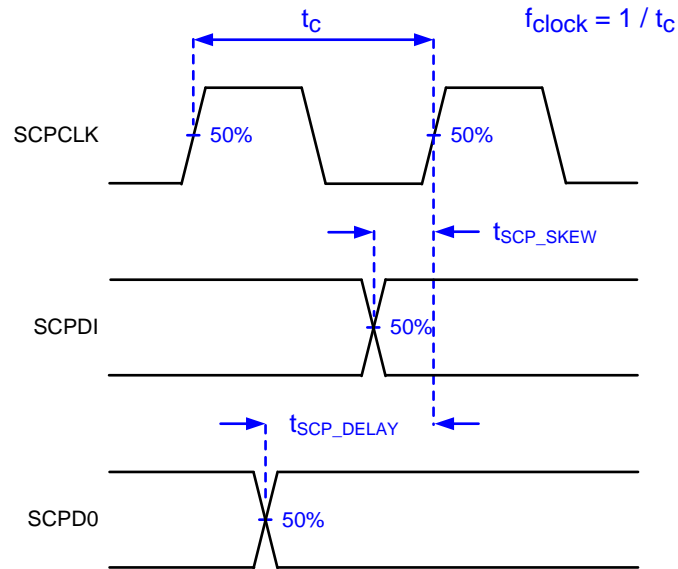


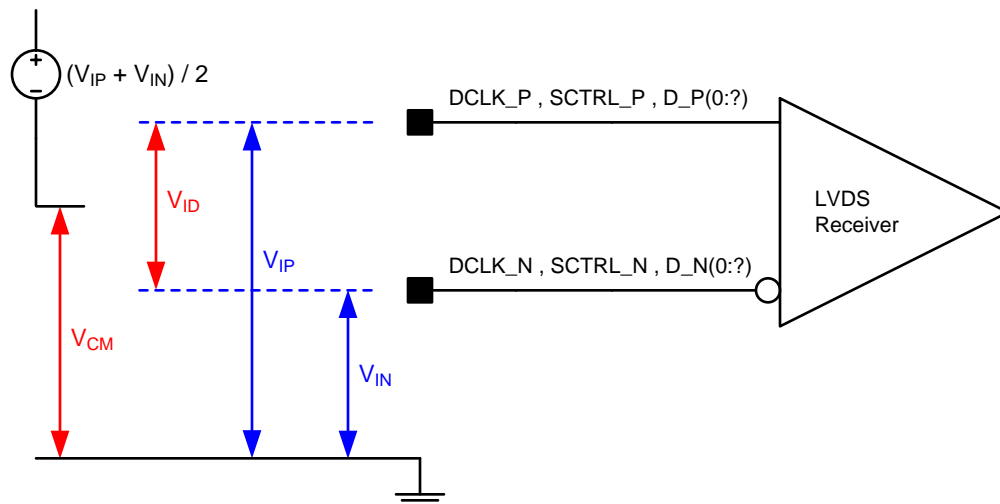
Figure 2. Test Load Circuit



Not to scale.

Refer to SCP Interface section of the Recommended Operating Conditions table.

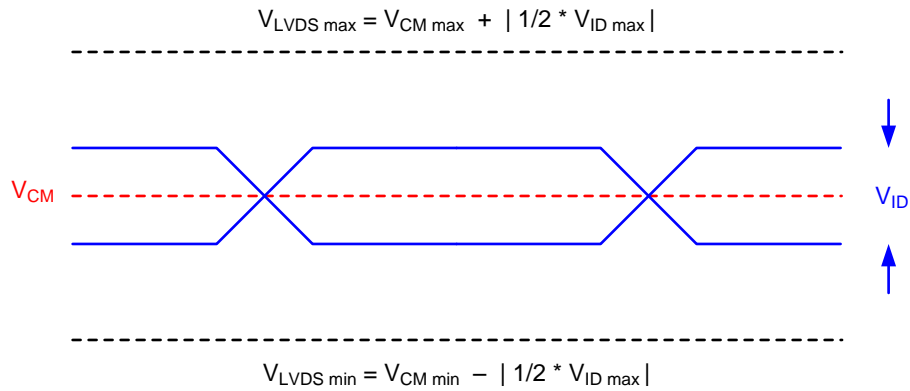
Figure 3. SCP Timing Parameters



Refer to LVDS Interface section of the Recommended Operating Conditions table.

Refer to Pin Configuration and Functions for list of LVDS pins.

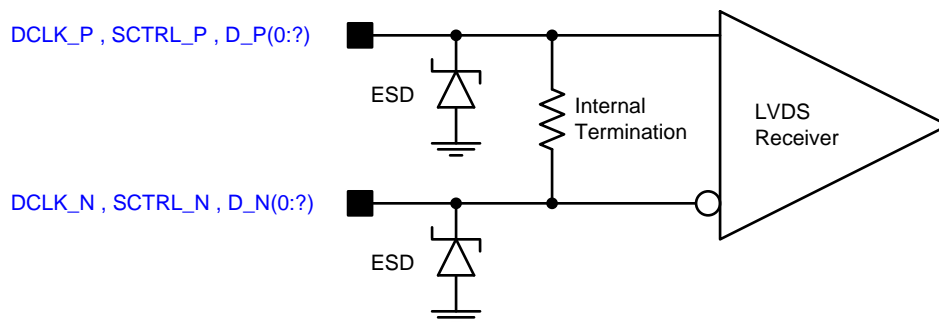
Figure 4. LVDS Voltage Definitions (References)



Not to scale.

Refer to LVDS Interface section of the Recommended Operating Conditions table.

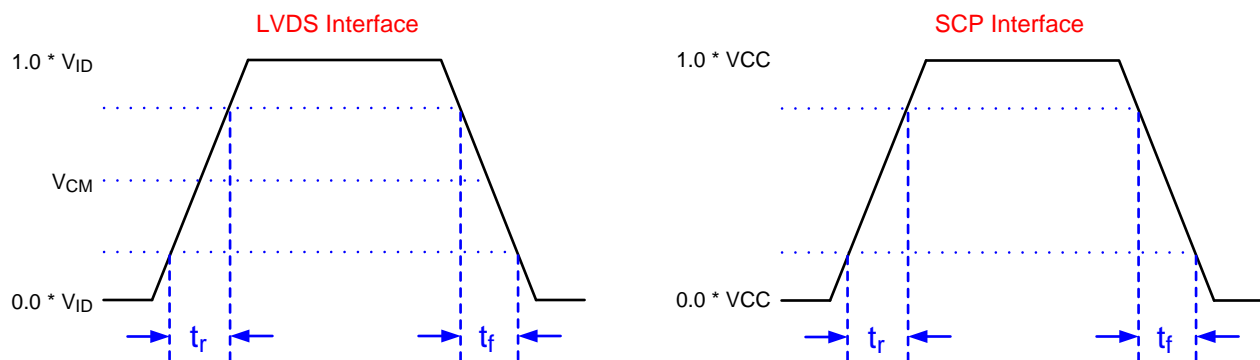
Figure 5. LVDS Voltage Parameters



Refer to LVDS Interface section of the Recommended Operating Conditions table.

Refer to Pin Configuration and Functions for list of LVDS pins.

Figure 6. LVDS Equivalent Input Circuit

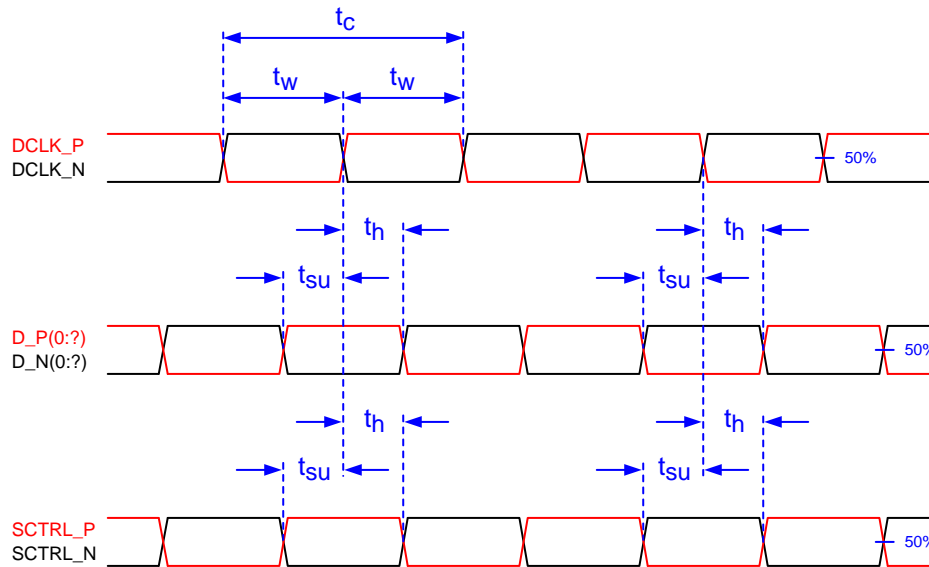


Not to scale.

Refer to the [Timing Requirements](#)

Refer to Pin Configuration and Functions for list of LVDS pins and SCP pins..

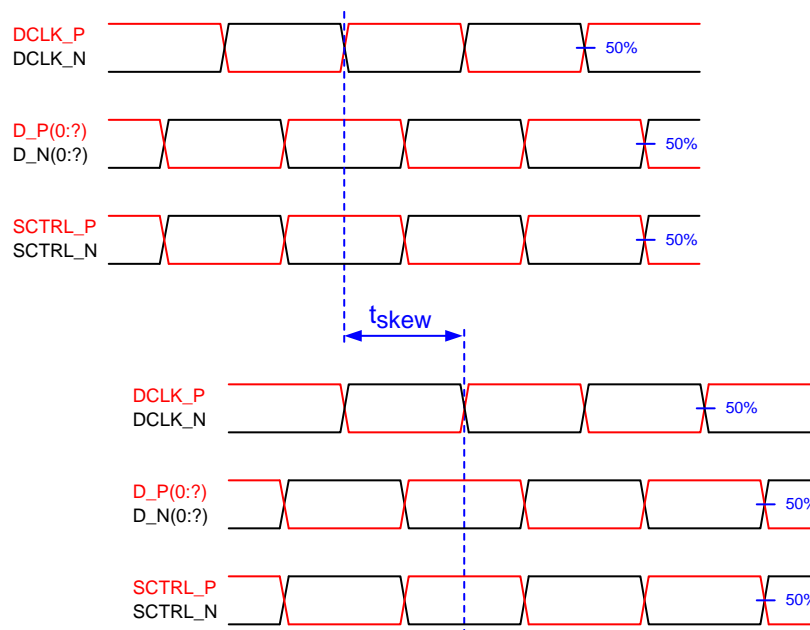
Figure 7. Rise Time and Fall Time



Not to scale.

Refer to LVDS INTERFACE section in the *Timing Requirements* table.

Figure 8. Timing Requirement Parameter Definitions



Not to scale.

Refer to LVDS INTERFACE section in the *Timing Requirements* table.

Figure 9. LVDS Interface Channel Skew Definition

6.8 Typical Characteristics

When the DMD is controlled by the DLPC900, the digital controller has four modes of operation.

1. Video Mode
2. Video Pattern Mode
3. Pre-Stored Pattern Mode
4. Pattern On-The-Fly Mode

In video mode, the video source is displayed on the DMD at the rate of the incoming video source.

In modes 2, 3, and 4, the pattern rates depend on the bit depth as shown in [Table 1](#).

Table 1. DLPC900 with DLP6500 Pattern Rate versus Bit Depth

BIT DEPTH	VIDEO PATTERN MODE (Hz)	PRE-STORED or PATTERN ON-THE-FLY MODE (Hz)
1	2880	9523
2	1440	3289
3	960	2638
4	720	1364
5	480	823
6	480	672
7	360	500
8	247	247

When the DMD is controlled by the DLPC910, the digital controller operates in 1-bit pattern mode only. With proper illumination modulation, bit depths greater than 1 can be achieved. [Table 2](#) shows the pattern rates for each bit depth.

Table 2. DLPC910 with DLP6500 Pattern Rate versus Bit Depth

BIT DEPTH	PATTERN RATE (Hz)
1	11574
2	5787
3	3858
4	2893
5	2315
6	1929
7	1653
8	1446

6.9 System Mounting Interface Loads

PARAMETER		MIN	NOM	MAX	UNIT
Maximum system mounting interface load ⁽¹⁾ to be applied to the:	(See Figure 10)			11.30	kg
<ul style="list-style-type: none"> Thermal Interface area Electrical Interface areas 				11.30	
Maximum Load Applied ⁽²⁾	(See Figure 10)			0	kg
<ul style="list-style-type: none"> Thermal Interface area Electrical Interface areas 				22.60	

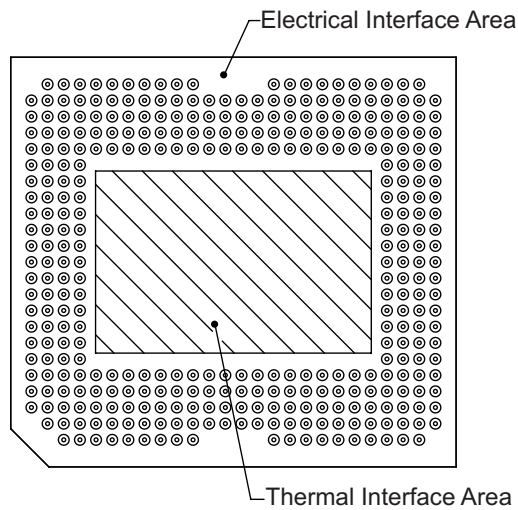


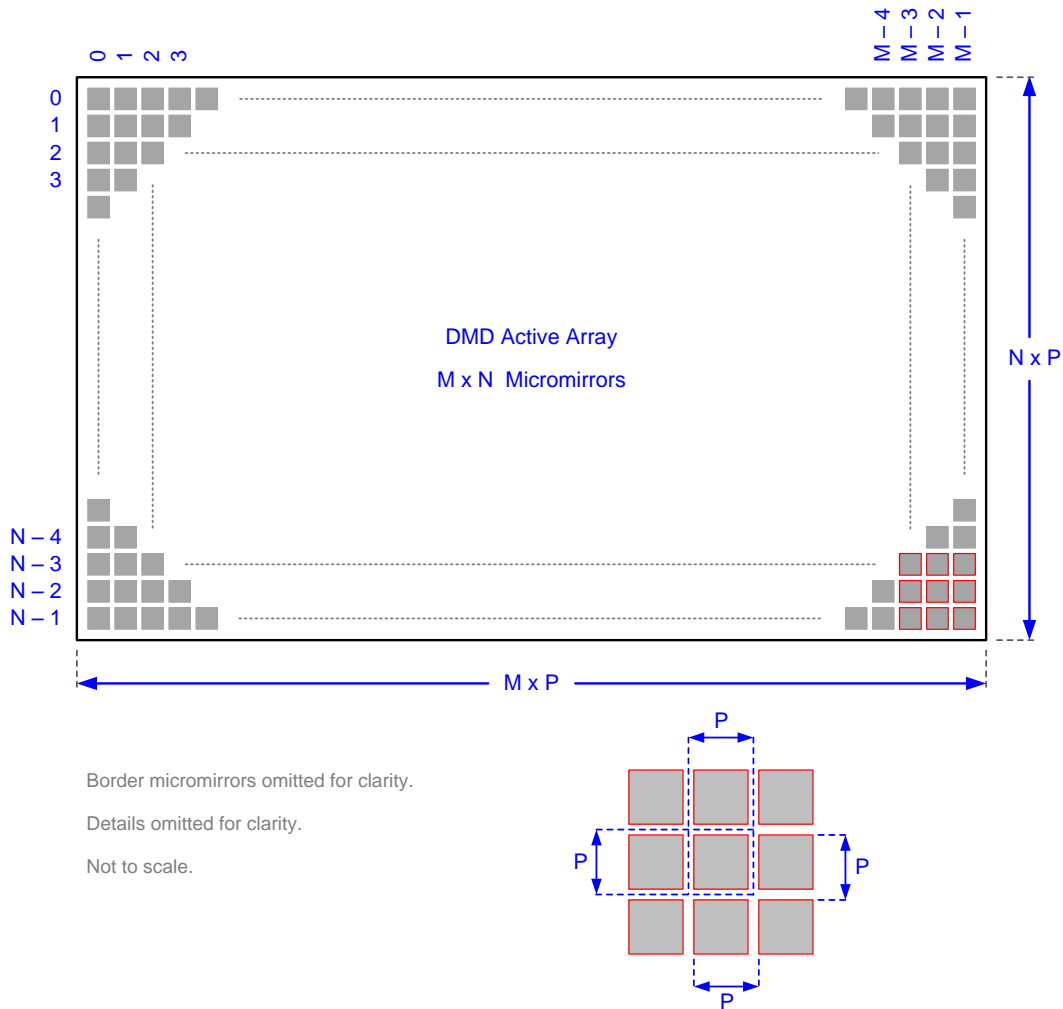
Figure 10. System Mounting Interface Loads

- (1) Condition 1: Evenly distributed within each area
- (2) Condition 2: Unevenly distributed within each area

6.10 Micromirror Array Physical Characteristics

		VALUE	UNIT
M	Number of active columns	1920	micromirrors
N	Number of active rows	1080	micromirrors
P	Micromirror (pixel) pitch	7.56	μm
	Micromirror active array width	$M \times P$	mm
	Micromirror active array height	$N \times P$	mm
	Micromirror active border	Pond of micromirrors (POM) ⁽¹⁾	14 micromirrors /side

(1) The structure and qualities of the border around the active array includes a band of partially functional micromirrors called the POM. These micromirrors are structurally and/or electrically prevented from tilting toward the bright or ON state, but still require an electrical bias to tilt toward OFF.



Refer to section [Micromirror Array Physical Characteristics](#) table for M, N, and P specifications.

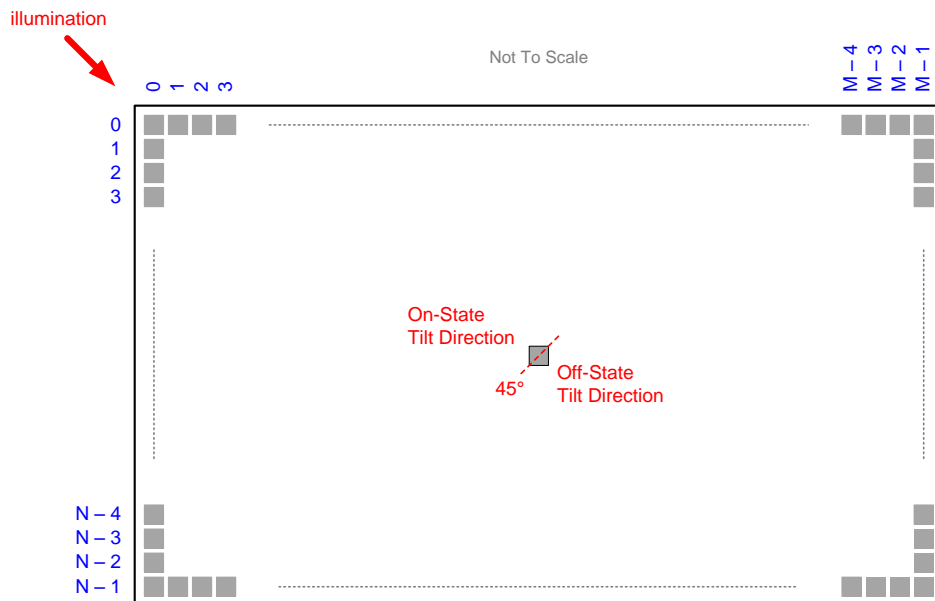
Figure 11. Micromirror Array Physical Characteristics

6.11 Micromirror Array Optical Characteristics

See [Optical Interface and System Image Quality](#) for important information

PARAMETER	CONDITIONS	MIN	NOM	MAX	UNIT
α Micromirror tilt angle	DMD landed state ⁽¹⁾		12		°
β Micromirror tilt angle tolerance ^{(1) (2) (3) (4) (5)}		-1		1	°
Micromirror tilt direction ^{(5) (6) (7)}		44	45	46	°
Number of out-of-specification micromirrors ⁽⁸⁾	Adjacent micromirrors				0
	Non-adjacent micromirrors				10
Micromirror crossover time ^{(9) (10)}	Typical performance				2.5
DMD photopic efficiency within the wavelength range 420 nm to 700 nm ⁽¹¹⁾					66%

- (1) Measured relative to the plane formed by the overall micromirror array.
- (2) Additional variation exists between the micromirror array and the package datums.
- (3) Represents the landed tilt angle variation relative to the nominal landed tilt angle.
- (4) Represents the variation that can occur between any two individual micromirrors, located on the same device or located on different devices.
- (5) For some applications, it is critical to account for the micromirror tilt angle variation in the overall system optical design. With some system optical designs, the micromirror tilt angle variation within a device may result in perceivable non-uniformities in the light field reflected from the micromirror array. With some system optical designs, the micromirror tilt angle variation between devices may result in colorimetry variations, system efficiency variations or system contrast variations.
- (6) When the micromirror array is landed (not parked), the tilt direction of each individual micromirror is dictated by the binary contents of the CMOS memory cell associated with each individual micromirror. A binary value of 1 results in a micromirror landing in the ON State direction. A binary value of 0 results in a micromirror landing in the OFF State direction.
- (7) Refer to [Figure 12](#).
- (8) An out-of-specification micromirror is defined as a micromirror that is unable to transition between the two landed states within the specified Micromirror Switching Time.
- (9) Micromirror crossover time is primarily a function of the natural response time of the micromirrors.
- (10) Performance as measured at the start of life.
- (11) Efficiency numbers assume 24-degree illumination angle, F/2.4 illumination and collection cones, uniform source spectrum, and uniform pupil illumination. Efficiency numbers assume 100% electronic mirror duty cycle and do not include optical overfill loss. Note that this number is specified under conditions described above and deviations from the specified conditions could result in decreased efficiency.



Refer to section [Micromirror Array Physical Characteristics](#) table for M, N, and P specifications.

Figure 12. Micromirror Landed Orientation and Tilt

6.12 Window Characteristics

PARAMETER ⁽¹⁾	CONDITIONS	MIN	NOM	MAX	UNIT
Window material designation S600	Corning Eagle XG				
Window refractive index	at wavelength 546.1 nm		1.5119		
Window aperture	See ⁽²⁾				
Illumination overfill	Refer to Illumination Overfill				
Window transmittance, single-pass through both surfaces and glass ⁽³⁾	Minimum within the wavelength range 420 nm to 680 nm. Applies to all angles 0° to 30° AOI.	97%			
	Average over the wavelength range 420 nm to 680 nm. Applies to all angles 30° to 45° AOI.	97%			

(1) See [Window Characteristics and Optics](#) for more information.

(2) For details regarding the size and location of the window aperture, see the package mechanical characteristics listed in the Mechanical ICD in the Mechanical, Packaging, and Orderable Information section.

(3) See the TI application report [DLPA031](#), *Wavelength Transmittance Considerations for DLP[®] DMD Window*.

6.13 Chipset Component Usage Specification

The DLP6500 is a component of one or more DLP chipsets. Reliable function and operation of the DLP6500 requires that it be used in conjunction with the other components of the applicable DLP chipset, including those components that contain or implement TI DMD control technology. TI DMD control technology are the TI technology and devices for operating or controlling a DLP DMD.

7 Detailed Description

7.1 Overview

DLP6500 is a 0.65 inch diagonal spatial light modulator which consists of an array of highly reflective aluminum micromirrors. Pixel array size and square grid pixel arrangement are shown in [Figure 11](#).

The DMD is an electrical input, optical output micro-electrical-mechanical system (MEMS). The electrical interface is Low Voltage Differential Signaling (LVDS), Double Data Rate (DDR).

DLP6500 DMD consists of a two-dimensional array of 1-bit CMOS memory cells. The array is organized in a grid of M memory cell columns by N memory cell rows. Refer to the [Functional Block Diagram](#).

The positive or negative deflection angle of the micromirrors can be individually controlled by changing the address voltage of underlying CMOS addressing circuitry and micromirror reset signals (MBRST).

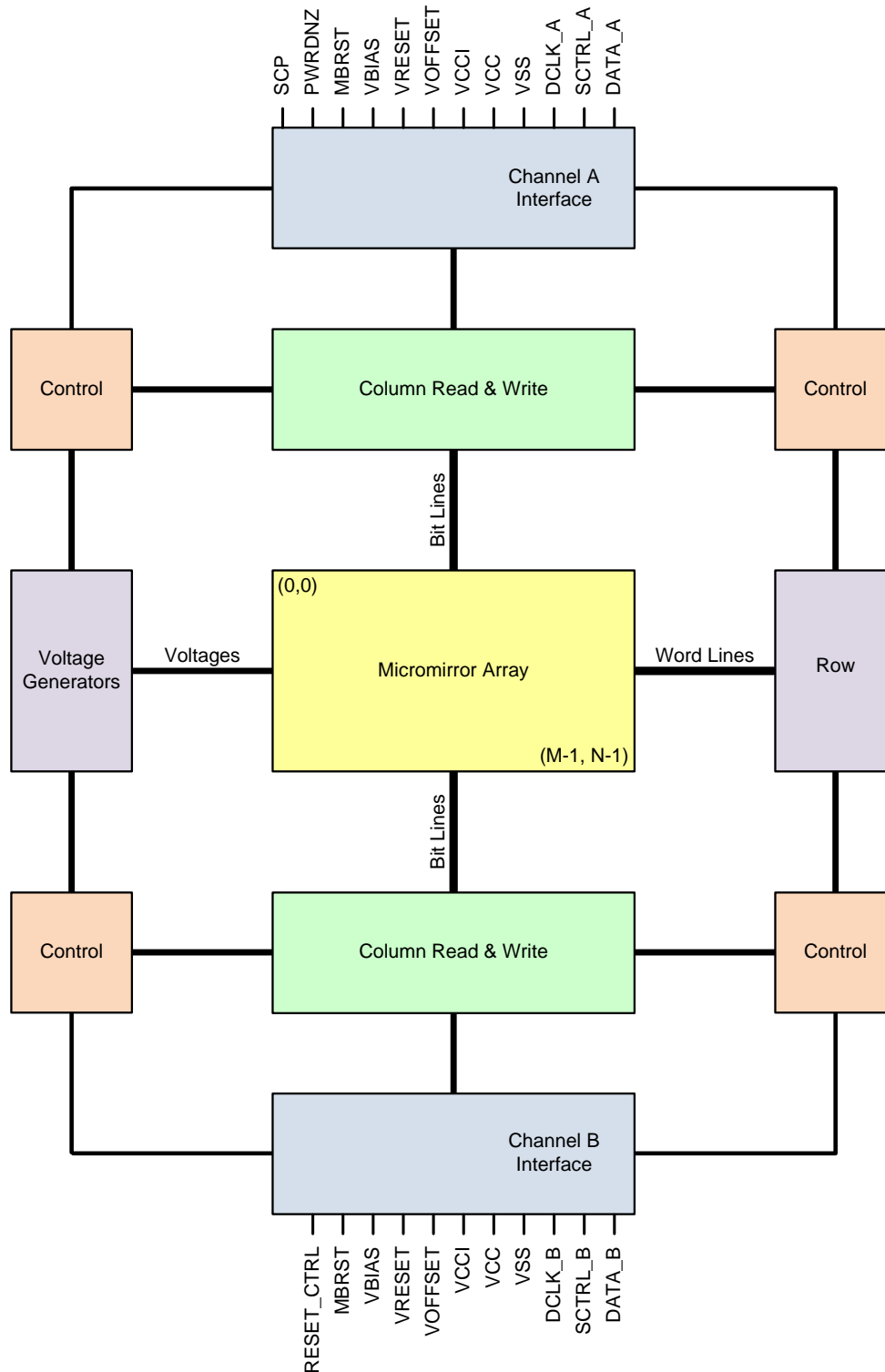
Each cell of the $M \times N$ memory array drives its true and complement ('Q' and 'QB') data to two electrodes underlying one micromirror, one electrode on each side of the diagonal axis of rotation. Refer to [Micromirror Array Optical Characteristics](#). The micromirrors are electrically tied to the micromirror reset signals (MBRST) and the micromirror array is divided into reset groups.

Electrostatic potentials between a micromirror and its memory data electrodes cause the micromirror to tilt toward the illumination source in a DLP projection system or away from it, thus reflecting its incident light into or out of an optical collection aperture. The positive (+) tilt angle state corresponds to an 'on' pixel, and the negative (-) tilt angle state corresponds to an 'off' pixel.

Refer to [Micromirror Array Optical Characteristics](#) for the \pm tilt angle specifications. Refer to [Pin Configuration and Functions](#) for more information on micromirror reset control.

7.2 Functional Block Diagram

Not to Scale. Details Omitted for Clarity. See Accompanying Notes in this Section.



For pin details on Channels A, B, C, and D, refer to [Pin Configuration and Functions](#) and LVDS Interface section of [Timing Requirements](#).

7.3 Feature Description

DLP6500 device consists of highly reflective, digitally switchable, micrometer-sized mirrors (micromirrors) organized in a two-dimensional orthogonal pixel array. Refer to [Figure 11](#) and [Figure 13](#).

Each aluminum micromirror is switchable between two discrete angular positions, $-\alpha$ and $+\alpha$. The angular positions are measured relative to the micromirror array plane, which is parallel to the silicon substrate. Refer to [Micromirror Array Optical Characteristics](#) and [Figure 14](#).

The parked position of the micromirror is not a latched position and is therefore not necessarily perfectly parallel to the array plane. Individual micromirror flat state angular positions may vary. Tilt direction of the micromirror is perpendicular to the hinge-axis. The on-state landed position is directed toward the left-top edge of the package, as shown in [Figure 13](#).

Each individual micromirror is positioned over a corresponding CMOS memory cell. The angular position of a specific micromirror is determined by the binary state (logic 0 or 1) of the corresponding CMOS memory cell contents, after the mirror *clocking pulse* is applied. The angular position ($-\alpha$ and $+\alpha$) of the individual micromirrors changes synchronously with a micromirror clocking pulse, rather than being coincident with the CMOS memory cell data update.

Writing logic 1 into a memory cell followed by a mirror clocking pulse results in the corresponding micromirror switching to a $+\alpha$ position. Writing logic 0 into a memory cell followed by a mirror clocking pulse results in the corresponding micromirror switching to a $-\alpha$ position.

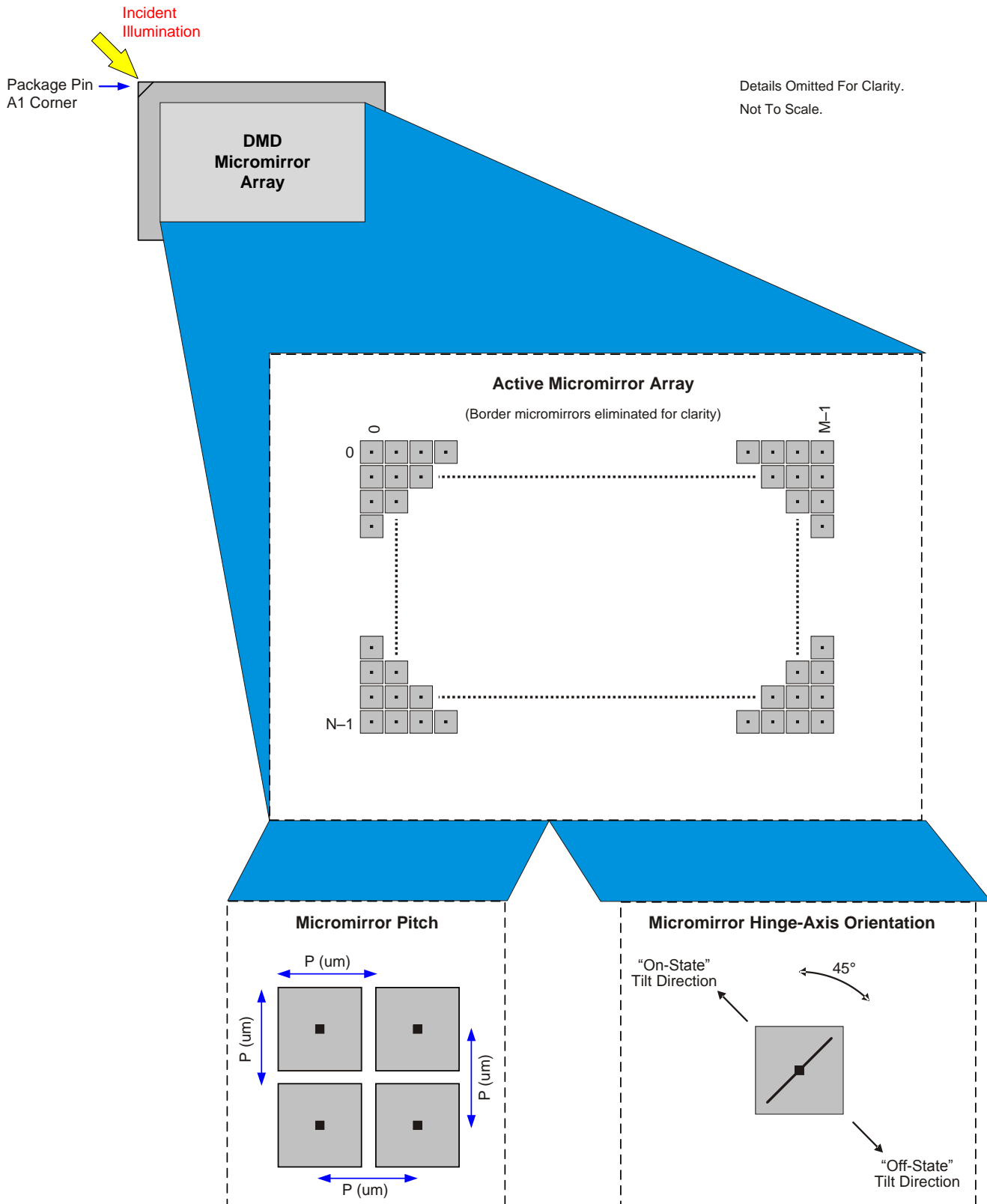
Updating the angular position of the micromirror array consists of two steps:

1. Update the contents of the CMOS memory.
2. Apply a micromirror reset to all or a portion of the micromirror array (depending upon the configuration of the system).

Micromirror reset pulses are generated internally by the DLP6500 DMD, with application of the pulses being coordinated by the DLPC900 display controller.

For more information, see the TI application report [DLPA008A](#), *DMD101: Introduction to Digital Micromirror Device (DMD) Technology*.

Feature Description (continued)



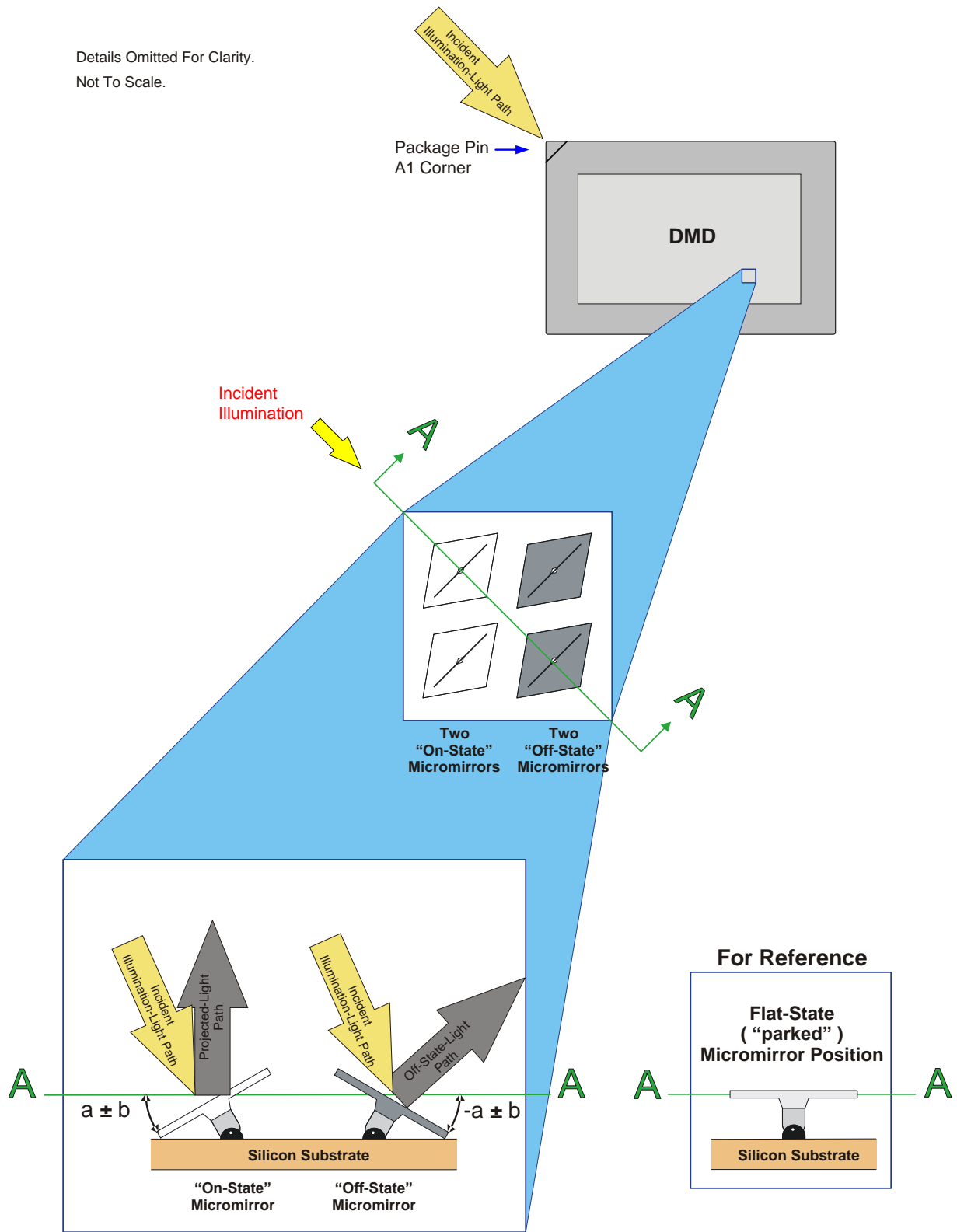
Details Omitted For Clarity.
Not To Scale.

Refer to *Micromirror Array Physical Characteristics*, Figure 11, and Figure 12

Figure 13. Micromirror Array, Pitch, Hinge Axis Orientation

Feature Description (continued)

Details Omitted For Clarity.
Not To Scale.



Micromirror States: On, Off, Flat

Figure 14. Micromirror States: On, Off, Flat

7.4 Device Functional Modes

DLP6500 is part of the chipset comprising of the DLP6500 DMD and DLPC900 display controller. To ensure reliable operation, DLP6500 DMD must always be used with a DLPC900 display controller.

DMD functional modes are controlled by the DLPC900 digital display controller. See the DLPC900 data sheet listed in Related Documents. Contact a TI applications engineer for more information.

7.5 Window Characteristics and Optics

NOTE

TI assumes no responsibility for image quality artifacts or DMD failures caused by optical system operating conditions exceeding limits described previously.

7.5.1 Optical Interface and System Image Quality

TI assumes no responsibility for end-equipment optical performance. Achieving the desired end-equipment optical performance involves making trade-offs between numerous component and system design parameters. Optimizing system optical performance and image quality strongly relate to optical system design parameter trades. Although it is not possible to anticipate every conceivable application, projector image quality and optical performance is contingent on compliance to the optical system operating conditions described in the following sections.

7.5.2 Numerical Aperture and Stray Light Control

The angle defined by the numerical aperture of the illumination and projection optics at the DMD optical area should be the same. This angle should not exceed the nominal device mirror tilt angle unless appropriate apertures are added in the illumination and/or projection pupils to block out flat-state and stray light from the projection lens. The mirror tilt angle defines DMD capability to separate the "ON" optical path from any other light path, including undesirable flat-state specular reflections from the DMD window, DMD border structures, or other system surfaces near the DMD such as prism or lens surfaces. If the numerical aperture exceeds the mirror tilt angle, or if the projection numerical aperture angle is more than two degrees larger than the illumination numerical aperture angle, objectionable artifacts in the display's border and/or active area could occur.

7.5.3 Pupil Match

TI's optical and image quality specifications assume that the exit pupil of the illumination optics is nominally centered within 2° (two degrees) of the entrance pupil of the projection optics. Misalignment of pupils can create objectionable artifacts in the display's border and/or active area, which may require additional system apertures to control, especially if the numerical aperture of the system exceeds the pixel tilt angle.

7.5.4 Illumination Overfill

The active area of the device is surrounded by an aperture on the inside DMD window surface that masks structures of the DMD device assembly from normal view. The aperture is sized to anticipate several optical operating conditions. Overfill light illuminating the window aperture can create artifacts from the edge of the window aperture opening and other surface anomalies that may be visible on the screen. The illumination optical system should be designed to limit light flux incident anywhere on the window aperture from exceeding approximately 10% of the average flux level in the active area. Depending on the particular system's optical architecture, overfill light may have to be further reduced below the suggested 10% level in order to be acceptable.

7.6 Micromirror Array Temperature Calculation

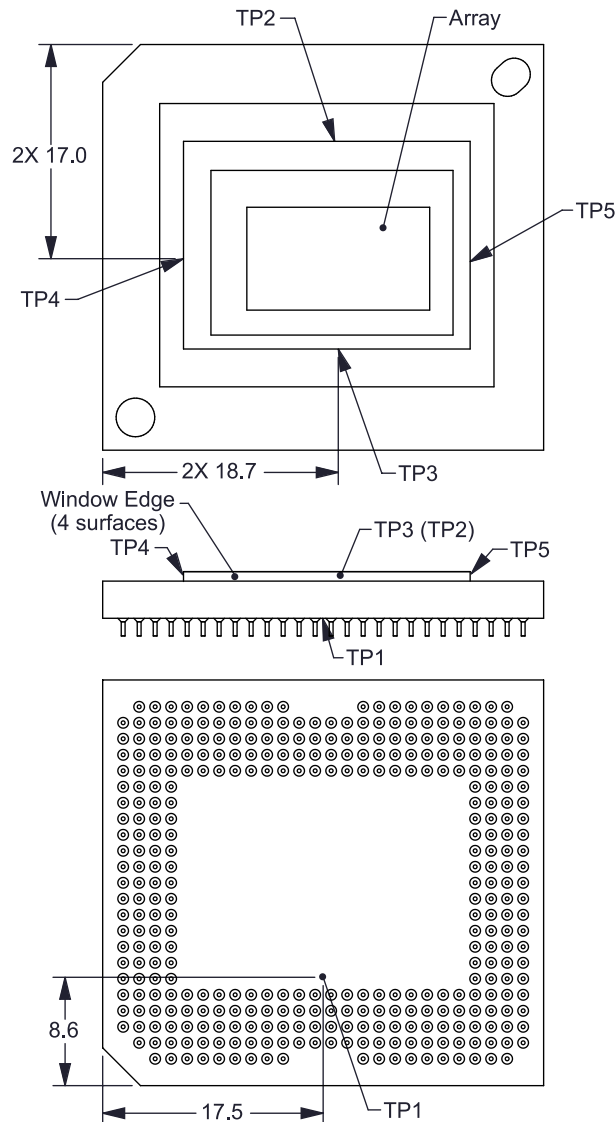


Figure 15. DMD Thermal Test Points

Micromirror array temperature can be computed analytically from measurement points on the outside of the package, the ceramic package thermal resistance, the electrical power dissipation, and the illumination heat load. The relationship between micromirror array temperature and the reference ceramic temperature is provided by the following equations:

$$T_{\text{ARRAY}} = T_{\text{CERAMIC}} + (Q_{\text{ARRAY}} \times R_{\text{ARRAY-TO-CERAMIC}}) \quad (1)$$

$$Q_{\text{ARRAY}} = Q_{\text{ELECTRICAL}} + Q_{\text{ILLUMINATION}} \quad (2)$$

$$Q_{\text{ILLUMINATION}} = (C_{\text{L2W}} \times \text{SL})$$

where

- T_{ARRAY} = Computed micromirror array temperature (°C)
- T_{CERAMIC} = Measured ceramic temperature (°C), TP1 location in [Figure 15](#)
- $R_{\text{ARRAY-TO-CERAMIC}}$ = DMD package thermal resistance from micromirror array to outside ceramic (°C/W) specified in [Thermal Information](#)
- Q_{ARRAY} = Total DMD power; electrical, specified in [Electrical Characteristics](#), plus absorbed (calculated) (W)
- $Q_{\text{ELECTRICAL}}$ = Nominal DMD electrical power dissipation (W), specified in [Electrical Characteristics](#)

Micromirror Array Temperature Calculation (continued)

- C_{L2W} = Conversion constant for screen lumens to absorbed optical power on the DMD (W/lm) specified below
- SL = Measured ANSI screen lumens (lm) (3)

Electrical power dissipation of the DMD is variable and depends on the voltages, data rates and operating frequencies. The nominal electrical power dissipation to use when calculating array temperature is 2.9 Watts. Absorbed optical power from the illumination source is variable and depends on the operating state of the micromirrors and the intensity of the light source. Equations shown above are valid for a 1-chip DMD system with total projection efficiency through the projection lens from DMD to the screen of 87%.

The conversion constant C_{L2W} is based on the DMD micromirror array characteristics. It assumes a spectral efficiency of 300 lm/W for the projected light and illumination distribution of 83.7% on the DMD active array, and 16.3% on the DMD array border and window aperture. The conversion constant is calculated to be 0.00293 W/lm.

Sample Calculation for typical projection application:

$$\begin{aligned}
 T_{\text{CERAMIC}} &= 55^{\circ}\text{C}, \text{ assumed system measurement; see } \textit{Recommended Operating Conditions} \text{ for specific limits} \\
 \text{SL} &= 2000 \text{ lm} \\
 Q_{\text{ELECTRICAL}} &= 2.9 \text{ W (see the maximum power specifications in } \textit{Electrical Characteristics}) \\
 C_{L2W} &= 0.00293 \text{ W/lm} \\
 Q_{\text{ARRAY}} &= 2.9 \text{ W} + (0.00293 \text{ W/lm} \times 2000 \text{ lm}) = 8.76 \text{ W} \\
 T_{\text{ARRAY}} &= 55^{\circ}\text{C} + (8.76 \text{ W} \times 0.6 \times \text{C/W}) = 60.26^{\circ}\text{C}
 \end{aligned}$$

7.7 Micromirror Landed-on/Landed-Off Duty Cycle

7.7.1 Definition of Micromirror Landed-On/Landed-Off Duty Cycle

The micromirror landed-on/landed-off duty cycle (landed duty cycle) denotes the amount of time (as a percentage) that an individual micromirror is landed in the On-state versus the amount of time the same micromirror is landed in the Off-state.

As an example, a landed duty cycle of 100/0 indicates that the referenced pixel is in the On-state 100% of the time (and in the Off-state 0% of the time); whereas 0/100 would indicate that the pixel is in the Off-state 100% of the time. Likewise, 50/50 indicates that the pixel is On 50% of the time and Off 50% of the time.

Note that when assessing landed duty cycle, the time spent switching from one state (ON or OFF) to the other state (OFF or ON) is considered negligible and is thus ignored.

Since a micromirror can only be landed in one state or the other (On or Off), the two numbers (percentages) always add to 100.

7.7.2 Landed Duty Cycle and Useful Life of the DMD

Knowing the long-term average landed duty cycle (of the end product or application) is important because subjecting all (or a portion) of the DMD's micromirror array (also called the active array) to an asymmetric landed duty cycle for a prolonged period of time can reduce the DMD's usable life.

Note that it is the symmetry/asymmetry of the landed duty cycle that is of relevance. The symmetry of the landed duty cycle is determined by how close the two numbers (percentages) are to being equal. For example, a landed duty cycle of 50/50 is perfectly symmetrical whereas a landed duty cycle of 100/0 or 0/100 is perfectly asymmetrical.

Individual DMD mirror duty cycles vary by application as well as the mirror location on the DMD within any specific application. DMD mirror useful life are maximized when every individual mirror within a DMD approaches 50/50 (or 1/1) duty cycle. Therefore, for the DLPC900 and DLP6500 chipset, it is recommended that the DMD Idle Mode be enabled as often as possible. Examples are whenever the system is idle, the illumination is disabled, between sequential pattern exposures (if possible), or when the exposure pattern sequence is stopped for any reason. This software mode provides a 50/50 duty cycle across the entire DMD mirror array, where the mirrors are continuously flipped between the on and off states. Refer to the DLPC900 Software Programmer's

Micromirror Landed-on/Landed-Off Duty Cycle (continued)

Guide [DLPU018](#) for a description of the DMD Idle Mode command. For the DLPC910 and DLP6500 chipset, it is recommended that the controlling applications processor provide a 50/50 pattern sequence to the DLPC910 for display on the DLP6500 as often as possible, similar to the above examples stated for the DLPC900. The pattern provides a 50/50 duty cycle across the entire DMD mirror array, where the mirrors are continuously flipped between the on and off states.

7.7.3 Landed Duty Cycle and Operational DMD Temperature

Operational DMD Temperature and Landed Duty Cycle interact to affect the DMD's usable life, and this interaction can be exploited to reduce the impact that an asymmetrical Landed Duty Cycle has on the DMD's usable life. This is quantified in the de-rating curve shown in [Figure 1](#). The importance of this curve is that:

- All points along this curve represent the same usable life.
- All points above this curve represent lower usable life (and the further away from the curve, the lower the usable life).
- All points below this curve represent higher usable life (and the further away from the curve, the higher the usable life).

In practice, this curve specifies the Maximum Operating DMD Temperature that the DMD should be operated at for a give long-term average Landed Duty Cycle.

7.7.4 Estimating the Long-Term Average Landed Duty Cycle of a Product or Application

During a given period of time, the Landed Duty Cycle of a given pixel follows from the image content being displayed by that pixel.

For example, in the simplest case, when displaying pure-white on a given pixel for a given time period, that pixel will experience a 100/0 Landed Duty Cycle during that time period. Likewise, when displaying pure-black, the pixel will experience a 0/100 Landed Duty Cycle.

Between the two extremes (ignoring for the moment color and any image processing that may be applied to an incoming image), the Landed Duty Cycle tracks one-to-one with the gray scale value, as shown in [Table 3](#).

Table 3. Grayscale Value and Landed Duty Cycle

GRAYSCALE VALUE	LANDED DUTY CYCLE
0%	0/100
10%	10/90
20%	20/80
30%	30/70
40%	40/60
50%	50/50
60%	60/40
70%	70/30
80%	80/20
90%	90/10
100%	100/0

Accounting for color rendition (but still ignoring image processing) requires knowing both the color intensity (from 0% to 100%) for each constituent primary color (red, green, and/or blue) for the given pixel as well as the color cycle time for each primary color, where "color cycle time" is the total percentage of the frame time that a given primary must be displayed in order to achieve the desired white point.

During a given period of time, the landed duty cycle of a given pixel can be calculated as follows:

$$\text{Landed Duty Cycle} = (\text{Red_Cycle_}\% \times \text{Red_Scale_Value}) + (\text{Green_Cycle_}\% \times \text{Green_Scale_Value}) + (\text{Blue_Cycle_}\% \times \text{Blue_Scale_Value})$$

Where:

Red_Cycle_%, Green_Cycle_%, and Blue_Cycle_%, represent the percentage of the frame time that Red, Green, and Blue are displayed (respectively) to achieve the desired white point.

For example, assume that the red, green and blue color cycle times are 50%, 20%, and 30% respectively (in order to achieve the desired white point), then the Landed Duty Cycle for various combinations of red, green, blue color intensities would be as shown in [Table 4](#).

Table 4. Example Landed Duty Cycle for Full-Color

Red Cycle Percentage 50%	Green Cycle Percentage 20%	Blue Cycle Percentage 30%	Landed Duty Cycle
Red Scale Value	Green Scale Value	Blue Scale Value	
0%	0%	0%	0/100
100%	0%	0%	50/50
0%	100%	0%	20/80
0%	0%	100%	30/70
12%	0%	0%	6/94
0%	35%	0%	7/93
0%	0%	60%	18/82
100%	100%	0%	70/30
0%	100%	100%	50/50
100%	0%	100%	80/20
12%	35%	0%	13/87
0%	35%	60%	25/75
12%	0%	60%	24/76
100%	100%	100%	100/0

8 Application and Implementation

NOTE

Information in the following applications sections is not part of the TI component specification, and TI does not warrant its accuracy or completeness. TI's customers are responsible for determining suitability of components for their purposes. Customers should validate and test their design implementation to confirm system functionality.

8.1 Application Information

The DLP6500 along with the DLPC900 controller provides a solution for many applications including structured light and video projection. The DMD is a spatial light modulator, which reflects incoming light from an illumination source to one of two directions, with the primary direction being into a projection or collection optic. Each application is derived primarily from the optical architecture of the system and the format of the data coming into the DLPC900. Applications of interest include machine vision and 3D printing.

8.2 Typical Application

A typical embedded system application using the DLPC900 controller and a DLP6500 is shown in Figure 16. In this configuration, the DLPC900 controller supports a 24-bit parallel RGB input, typical of LCD interfaces, from an external source or processor. This system configuration supports still and motion video sources plus sequential pattern mode. Refer to Related Documents for the DLPC900 digital controller data sheet.

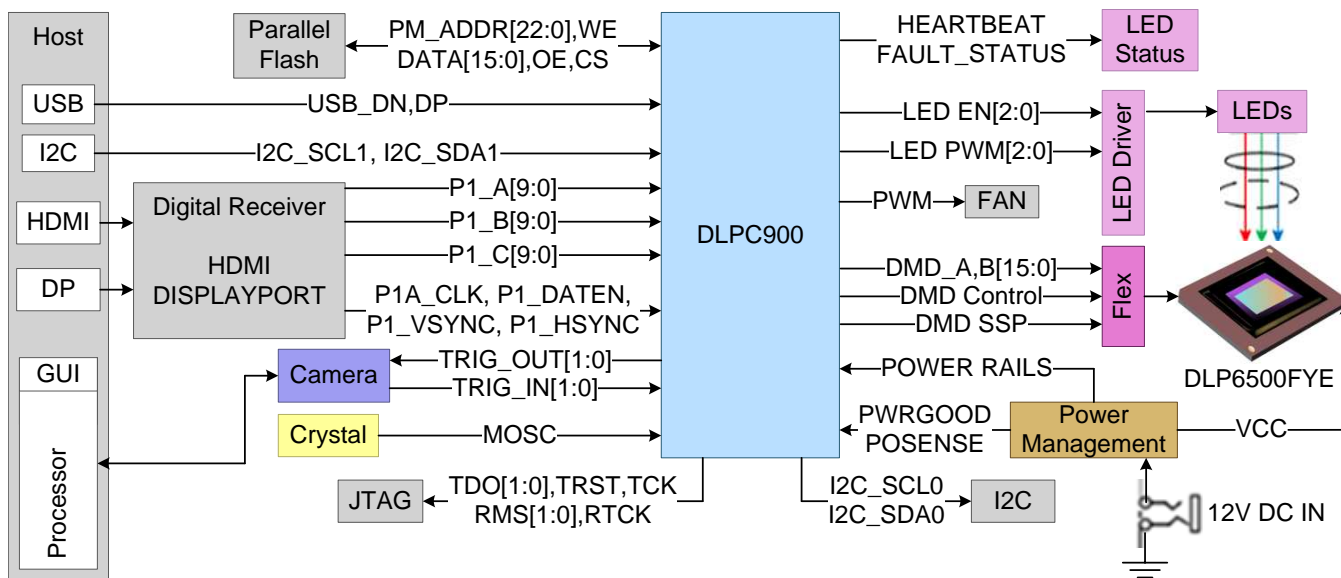


Figure 16. Typical DLPC900 Application Schematic

A typical embedded system application using the DLPC910 digital controller and a DLP6500 is shown in Figure 17. In this configuration, the DLPC910 digital controller accepts streaming binary patterns from an external source or processor. This system configuration supports high speed pattern mode. Refer to Related Documents for the DLPC910 digital controller datasheet.

Typical Application (continued)

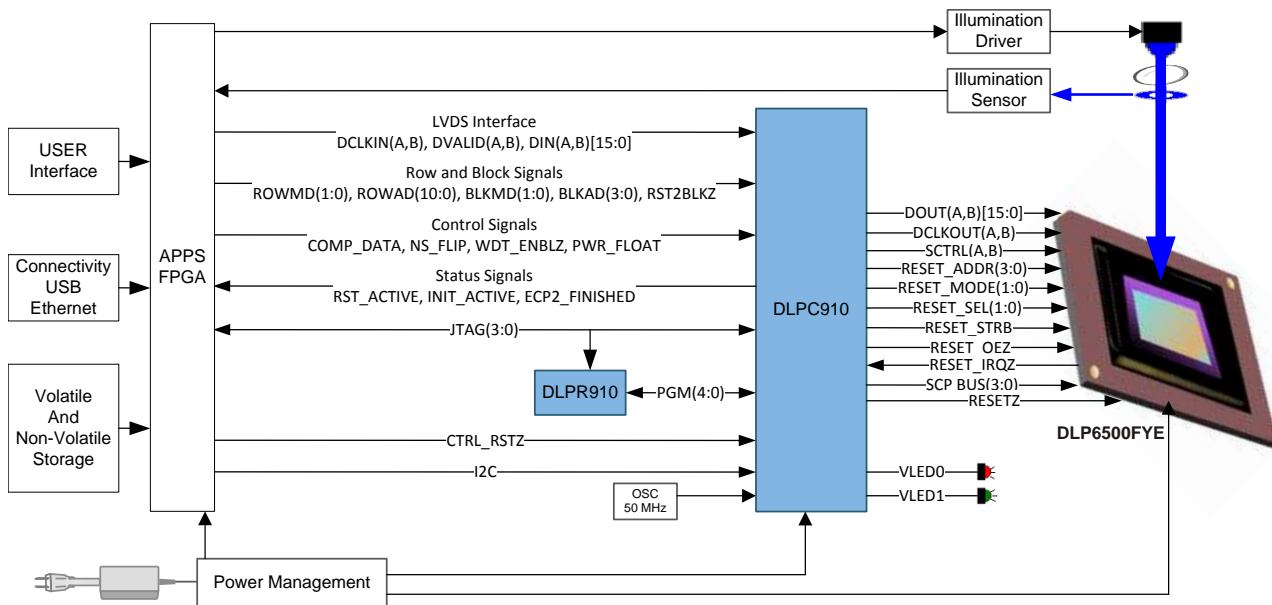


Figure 17. Typical DLPC910 Application Schematic

8.2.1 Design Requirements

Detailed design requirements are located in the DLPC900 digital controller data sheet. Refer to Related Documents.

8.2.2 Detailed Design Procedure

See the reference design schematic for connecting together the DLPC900 display controller and the DLP6500 DMD. An example board layout is included in the reference design data base. Layout guidelines should be followed for reliability.

See the reference design schematic for connecting together the DLPC910 controller and the DLP6500 DMD. An example board layout is included in the reference design data base. Layout guidelines should be followed for reliability.

9 Power Supply Requirements

9.1 DMD Power Supply Requirements

The following power supplies are all required to operate the DMD: VCC, VCCI, VOFFSET, VBIAS, and VRESET. VSS must also be connected. DMD power-up and power-down sequencing is strictly controlled by the DLPC900 device.

CAUTION

For reliable operation of the DMD, the following power supply sequencing requirements must be followed. Failure to adhere to the prescribed power-up and power-down procedures may affect device reliability. VCC, VCCI, VOFFSET, VBIAS, and VRESET power supplies have to be coordinated during power-up and power-down operations. VSS must also be connected. Failure to meet any of the below requirements will result in a significant reduction in the DMD's reliability and lifetime. Refer to [Figure 18](#).

9.2 DMD Power Supply Power-Up Procedure

- During power-up, VCC and VCCI must always start and settle before VOFFSET, VBIAS, and VRESET voltages are applied to the DMD.
- During power-up, it is a strict requirement that the delta between VBIAS and VOFFSET must be within the specified limit shown in [Recommended Operating Conditions](#). During power-up, VBIAS does not have to start after VOFFSET.
- During power-up, there is no requirement for the relative timing of VRESET with respect to VOFFSET and VBIAS.
- Power supply slew rates during power-up are flexible, provided that the transient voltage levels follow the requirements listed in [Absolute Maximum Ratings](#), in [Recommended Operating Conditions](#), and in [DMD Power Supply Sequencing Requirements](#).
- During power-up, LVCMOS input pins shall not be driven high until after VCC and VCCI have settled at operating voltages listed in [Recommended Operating Conditions](#).

9.3 DMD Mirror Park Sequence Requirements

9.3.1 DLPC900

For correct power down operation of the DLP6500 DMD with the DLPC900, the following power down procedure must be executed.

Prior to an anticipated power removal, the controlling applications processor must command the DLPC900 to enter Standby mode by using the Power Mode command and then wait for a minimum of 20 ms to allow the DLPC900 to complete the power down procedure. This procedure will assure the mirrors are in a flat state. Following this procedure, the power can be safely removed.

In the event of an unanticipated power loss, the power management system must detect the input power loss, command the DLPC900 to enter Standby mode by using the Power Mode command, and then maintain all operating power levels of the DLPC900 and the DLP6500 DMD for a minimum of 20 ms to allow the DLPC900 to complete the power down procedure. Following this procedure, the power can be allowed to fall below safe operating levels. Refer to the [DLPC900](#) datasheet for more details on power down requirements.

In both anticipated power down and unanticipated power loss, the DLPC900 is commanded over the USB/I2C interface, and then the DLPC900 loads the correct power down sequence to the DMD. Communicating over the USB/I2C and loading the power down sequence accounts for most of the 20 ms. Compared to the DLPC910, the controlling processor only needs to assert the PWR_FLOAT pin and wait for a minimum of 500 μ s.

The controlling applications processor can resume normal operations by commanding the DLPC900 to enter Normal mode. See Power Mode command in the DLPC900 Software Programmer's Guide [DLPU018](#) for a description of this command.

DMD Mirror Park Sequence Requirements (continued)

9.3.2 DLPC910

For correct power down operation of the DLP6500 DMD with the DLPC910, the following power down procedure must be executed.

Prior to an anticipated power removal, assert PWR_FLOAT to the DLPC910 for a minimum of 500 μ s to allow the DLPC910 to complete the power down procedure. This procedure will assure the DMD mirrors are in a flat state. Following this procedure, the power can be safely removed.

In the event of an unanticipated power loss, the power management system must detect the input power loss, assert PWR_FLOAT to the DLPC910, and maintain all operating power levels of the DLPC910 and the DLP6500 DMD for a minimum of 500 μ s to allow the DLPC910 to complete the power down procedure. Refer to the [DLPC910](#) datasheet for more details on power down requirements.

To restart after assertion of PWR_FLOAT without removing power, the DLPC910 must be reset by setting CTRL_RSTZ low (logic 0) for 50 ms, and then back to high (logic 1), or power to the DLPC910 must be cycled.

9.4 DMD Power Supply Power-Down Procedure

Refer to [DMD Mirror Park Sequence Requirements](#) for the Mirror Park Sequence procedure.

- During power-down, VCC and VCCI must be supplied until after VBIAS, VRESET, and VOFFSET are discharged to within the specified limit of ground. Refer to [Table 5](#).
- During power-down, it is a strict requirement that the delta between VBIAS and VOFFSET must be within the specified limit shown in [Recommended Operating Conditions](#). During power-down, it is not mandatory to stop driving VBIAS prior to VOFFSET.
- During power-down, there is no requirement for the relative timing of VRESET with respect to VOFFSET and VBIAS.
- Power supply slew rates during power-down are flexible, provided that the transient voltage levels follow the requirements listed in [Absolute Maximum Ratings](#), in [Recommended Operating Conditions](#), and in [Figure 18](#).
- During power-down, LVCMOS input pins must be less than specified in [Recommended Operating Conditions](#).

DMD Power Supply Power-Down Procedure (continued)

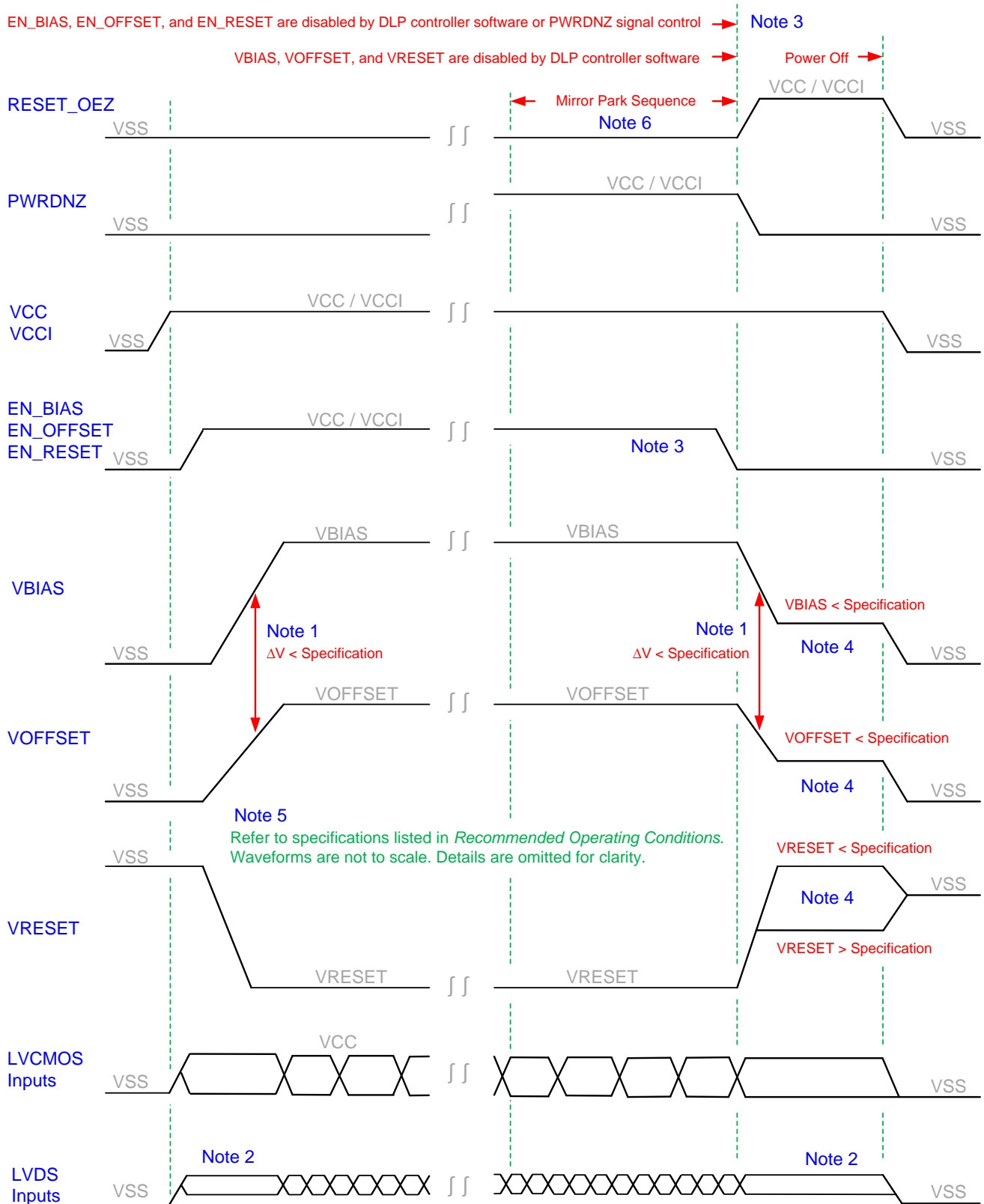


Figure 18. DMD Power Supply Sequencing Requirements

DMD Power Supply Power-Down Procedure (continued)

1. To prevent excess current, the supply voltage delta $|V_{BIAS} - V_{OFFSET}|$ must be less than specified in [Recommended Operating Conditions](#). OEMs may find that the most reliable way to ensure this is to power V_{OFFSET} prior to V_{BIAS} during power-up and to remove V_{BIAS} prior to V_{OFFSET} during power-down.
2. LVDS signals are less than the input differential voltage (V_{ID}) maximum specified in [Recommended Operating Conditions](#). During power-down, LVDS signals are less than the high level input voltage (V_{IH}) maximum specified in [Recommended Operating Conditions](#).
3. When system power is interrupted, the DLP DLPC900 initiates a hardware power-down that activates $PWRDNZ$ and disables V_{BIAS} , V_{RESET} and V_{OFFSET} after the micromirror park sequence. Software power-down disables V_{BIAS} , V_{RESET} , and V_{OFFSET} after the micromirror park sequence through software control. For either case, enable signals EN_BIAS , EN_OFFSET , and EN_RESET are used to disable V_{BIAS} , V_{OFFSET} , and V_{RESET} , respectfully.
4. Refer to [Table 5](#).
5. Figure not to scale. Details have been omitted for clarity. Refer to [Recommended Operating Conditions](#).
6. Refer to [DMD Mirror Park Sequence Requirements](#) for details on powering down the DMD.

Table 5. DMD Power-Down Sequence Requirements

PARAMETER		MIN	MAX	UNIT
V_{BIAS}	Supply voltage level during power-down sequence		4.0	V
V_{OFFSET}			4.0	V
V_{RESET}		-4.0	0.5	V

10 Layout

10.1 Layout Guidelines

The DLP6500 along with one DLPC900 controller provides a solution for many applications including structured light and video projection. This section provides layout guidelines for the DLP6500.

10.1.1 General PCB Recommendations

The PCB shall be designed to IPC2221 and IPC2222, Class 2, Type Z, at level B producibility and built to IPC6011 and IPC6012, class 2. The PCB board thickness to be 0.062 inches +/- 10%, using standard FR-4 material, and applies after all lamination and plating processes, measured from copper to copper.

Two-ounce copper planes are recommended in the PCB design in order to achieve needed thermal connectivity. Refer to Related Documents for the DLPC900 Digital Controller Data Sheet for related information on the DMD Interface Considerations.

High-speed interface waveform quality and timing on the DLPC900 controller (that is, the LVDS DMD interface) is dependent on the following factors:

- Total length of the interconnect system
- Spacing between traces
- Characteristic impedance
- Etch losses
- How well matched the lengths are across the interface

Thus, ensuring positive timing margin requires attention to many factors.

As an example, DMD interface system timing margin can be calculated as follows:

- Setup Margin = (controller output setup) – (DMD input setup) – (PCB routing mismatch) – (PCB SI degradation)
- Hold-time Margin = (controller output hold) – (DMD input hold) – (PCB routing mismatch) – (PCB SI degradation)

The PCB SI degradation is the signal integrity degradation due to PCB affects which includes such things as simultaneously switching output (SSO) noise, crosstalk, and inter-symbol-interference (ISI) noise.

DLPC900 I/O timing parameters can be found in DLPC900 Digital Controller Data Sheet. Similarly, PCB routing mismatch can be easily budgeted and met via controlled PCB routing. However, PCB SI degradation is not as easy to determine.

In an attempt to minimize the signal integrity analysis that would otherwise be required, the following PCB design guidelines provide a reference of an interconnect system that satisfies both waveform quality and timing requirements (accounting for both PCB routing mismatch and PCB SI degradation). Deviation from these recommendations may work, but should be confirmed with PCB signal integrity analysis or lab measurements.

10.2 Layout Example

10.2.1 Board Stack and Impedance Requirements

Refer to [Figure 19](#) for guidance on the parameters.

PCB design:

Configuration:	Asymmetric dual stripline
Etch thickness (T):	1.0-oz copper (1.2 mil)
Flex etch thickness (T):	0.5-oz copper (0.6 mil)
Single-ended signal impedance:	50 Ω (±10%)
Differential signal impedance:	100 Ω (±10%)

Layout Example (continued)
PCB stack-up:

Reference plane 1 is assumed to be a ground plane for proper return path.

Reference plane 2 is assumed to be the I/O power plane or ground.

Dielectric FR4, (ϵ_r): 4.2 (nominal)

Signal trace distance to reference plane 1 (H1): 5.0 mil (nominal)

Signal trace distance to reference plane 2 (H2): 34.2 mil (nominal)

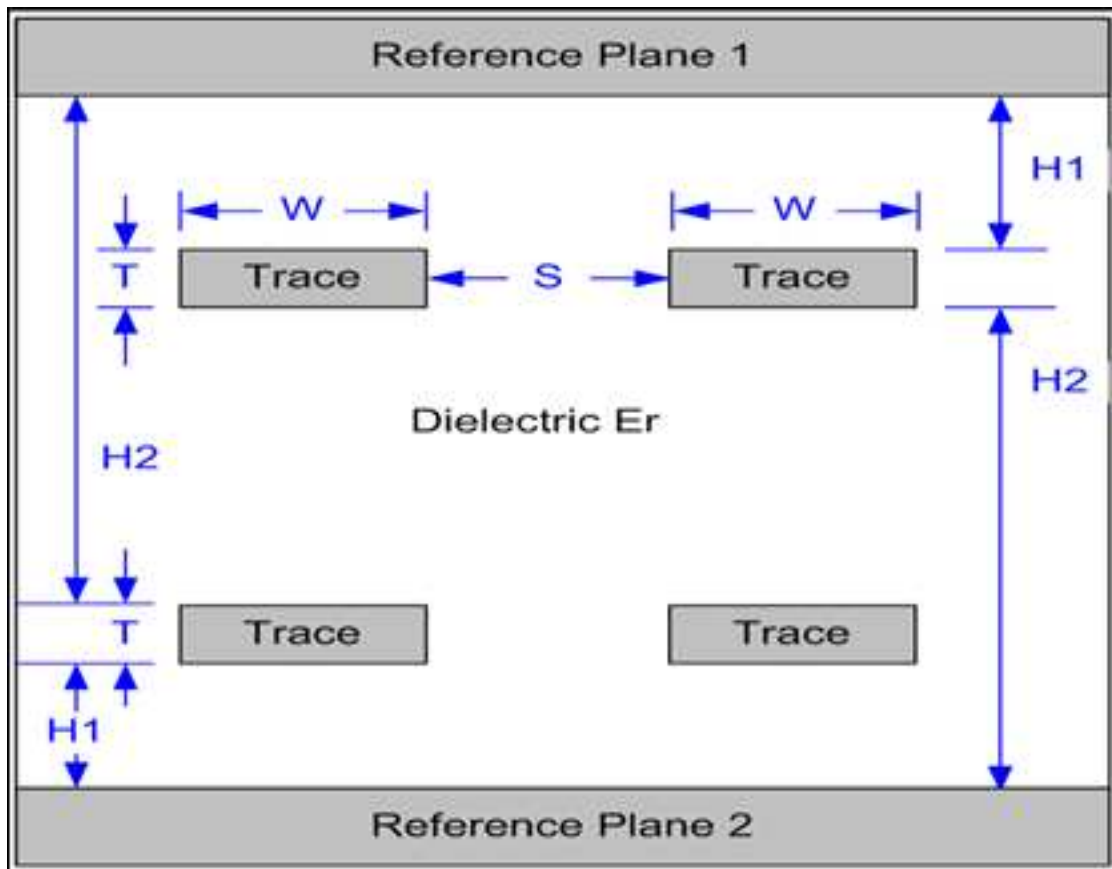


Figure 19. PCB Stack Geometries

Table 6. General PCB Routing (Applies to All Corresponding PCB Signals)

PARAMETER	APPLICATION	SINGLE-ENDED SIGNALS	DIFFERENTIAL PAIRS	UNIT
Line width (W)	Escape routing in ball field	4 (0.1)	4 (0.1)	mil (mm)
	PCB etch data or control	7 (0.18)	4.25 (0.11)	mil (mm)
	PCB etch clocks	7 (0.18)	4.25 (0.11)	mil (mm)

Layout Example (continued)
Table 6. General PCB Routing (Applies to All Corresponding PCB Signals) (continued)

PARAMETER	APPLICATION	SINGLE-ENDED SIGNALS	DIFFERENTIAL PAIRS	UNIT
Differential signal pair spacing (S)	PCB etch data or control	N/A	5.75 ⁽¹⁾ –0.15	mil (mm)
	PCB etch clocks	N/A	5.75 ⁽¹⁾ –0.15	mil (mm)
Minimum differential pair-to-pair spacing (S)	PCB etch data or control	N/A	20 (0.51)	mil (mm)
	PCB etch clocks	N/A	20 (0.51)	mil (mm)
	Escape routing in ball field	4 (0.1)	4 (0.1)	mil (mm)
Minimum line spacing to other signals (S)	PCB etch data or control	10 (0.25)	20 (0.51)	mil (mm)
	PCB etch clocks	20 (0.51)	20 (0.51)	mil (mm)
Maximum differential pair P-to-N length mismatch	Total data	N/A	12	mil
			0.3	(mm)

(1) Spacing may vary to maintain differential impedance requirements

Table 7. DMD Interface Specific Routing

SIGNAL GROUP LENGTH MATCHING				
INTERFACE	SIGNAL GROUP	REFERENCE SIGNAL	MAX MISMATCH	UNIT
DMD (LVDS)	SCTRL_AN / SCTRL_AP D_AP(15:0)/ D_AN(15:0)	DCKA_P/ DCKA_N	± 150 (± 3.81)	mil (mm)
DMD (LVDS)	SCTRL_BN/ SCTRL_BP D_BP(15:0)/ D_BN(15:0)	DCKB_P/ DCKB_N	± 150 (± 3.81)	mil (mm)

Number of layer changes:

- Single-ended signals: Minimize
- Differential signals: Individual differential pairs can be routed on different layers but the signals of a given pair should not change layers.

Table 8. DMD Signal Routing Length⁽¹⁾

BUS	MIN	MAX	UNIT
DMD (LVDS)	50	375	mm

(1) Max signal routing length includes escape routing.

Stubs: Stubs should be avoided.

Termination Requirements: DMD interface: None – The DMD receiver is differentially terminated to 100 Ω internally.

Connector (DMD-LVDS interface bus only):

High-speed connectors that meet the following requirements should be used:

- Differential crosstalk: < 5%
- Differential impedance: 75 to 125 Ω

Routing requirements for right-angle connectors: When using right-angle connectors, P-N pairs should be routed in the same row to minimize delay mismatch. When using right-angle connectors, propagation delay difference for each row should be accounted for on associated PCB etch lengths. Voltage or low frequency signals should be routed on the outer layers. Signal trace corners shall be no sharper than 45 degrees. Adjacent signal layers shall have the predominant traces routed orthogonal to each other.

These guidelines will produce a maximum PCB routing mismatch of 4.41 mm (0.174 inch) or approximately 30.4 ps, assuming 175 ps/inch FR4 propagation delay.

These PCB routing guidelines will result in approximately 25-ps system setup margin and 25-ps system hold margin for the DMD interface after accounting for signal integrity degradation as well as routing mismatch.

Both the DLPC900 output timing parameters and the DLP6500 DMD input timing parameters include timing budget to account for their respective internal package routing skew.

10.2.1.1 Power Planes

Signal routing is NOT allowed on the power and ground planes. All device pin and via connections to this plane shall use a thermal relief with a minimum of four spokes. The power plane shall clear the edge of the PCB by 0.2”.

Prior to routing, vias connecting all digital ground layers (GND) should be placed around the edge of the rigid PWB regions 0.025” from the board edges with a 0.100” spacing. It is also desirable to have all internal digital ground (GND) planes connected together in as many places as possible. If possible, all internal ground planes should be connected together with a minimum distance between connections of 0.5”. Extra vias are not required if there are sufficient ground vias due to normal ground connections of devices. NOTE: All signal routing and signal vias should be inside the perimeter ring of ground vias.

Power and Ground pins of each component shall be connected to the power and ground planes with one via for each pin. Trace lengths for component power and ground pins should be minimized (ideally, less than 0.100”). Unused or spare device pins that are connected to power or ground may be connected together with a single via to power or ground. Ground plane slots are NOT allowed.

Route VOFFSET, VBIAS, and VRESET as a wide trace >20mils (wider if space allows) with 20 mils spacing.

10.2.1.2 LVDS Signals

The LVDS signals shall be first. Each pair of differential signals must be routed together at a constant separation such that constant differential impedance (as in section [Board Stack and Impedance Requirements](#)) is maintained throughout the length. Avoid sharp turns and layer switching while keeping lengths to a minimum. The distance from one pair of differential signals to another shall be at least 2 times the distance within the pair.

10.2.1.3 Critical Signals

The critical signals on the board must be hand routed in the order specified below. In case of length matching requirements, the longer signals should be routed in a serpentine fashion, keeping the number of turns to a minimum and the turn angles no sharper than 45 degrees. Avoid routing long trace all around the PCB.

Table 9. Timing Critical Signals

GROUP	SIGNAL	CONSTRAINTS	ROUTING LAYERS
1	D_AP(0:15), D_AN(0:15), DCLK_AP, DCLK_AN, SCTRL_AN, SCTRL_AP, D_BP(0:15), D_BN (0:15), DCLK_BP, DCLK_BN, SCTRL_BN, SCTRL_BP	Refer to Table 6 and Table 7	Internal signal layers. Avoid layer switching when routing these signals.
2	RESET_ADDR_(0:3), RESET_MODE_(0:1), RESET_OEZ, RESET_SEL_(0:1) RESET_STROBE, RESET_IRQZ.		Internal signal layers. Top and bottom as required.
3	SCP_CLK, SCP_DO, SCP_DI, SCP_DMD_CSZ.		Any
4	Others	No matching/length requirement	Any

10.2.1.4 Device Placement

Unless otherwise specified, all major components should be placed on top layer. Small components such as ceramic, non-polarized capacitors, resistors and resistor networks can be placed on bottom layer. All high frequency de-coupling capacitors for the ICs shall be placed near the parts. Distribute the capacitors evenly around the IC and locate them as close to the device's power pins as possible (preferably with no vias). In the case where an IC has multiple de-coupling capacitors with different values, alternate the values of those that are side by side as much as possible and place the smaller value capacitor closer to the device.

10.2.1.5 Device Orientation

It is desirable to have all polarized capacitors oriented with their positive terminals in the same direction. If polarized capacitors are oriented both horizontally and vertically, then all horizontal capacitors should be oriented with the "+" terminal the same direction and likewise for the vertically oriented ones.

10.2.1.6 Fiducials

Fiducials for automatic component insertion should be placed on the board according to the following guidelines or on recommendation from manufacturer:

- Fiducials for optical auto insertion alignment shall be placed on three corners of both sides of the PWB.
- Fiducials shall also be placed in the center of the land patterns for fine pitch components (lead spacing <0.05").
- Fiducials should be 0.050 inch copper with 0.100 inch cutout (antipad).

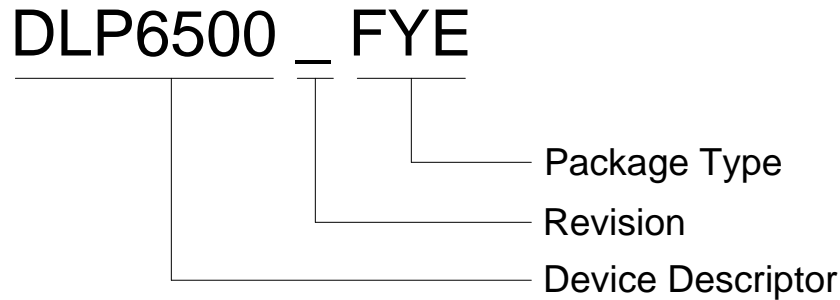
11 Device Documentation Support

11.1 Device Support

11.1.1 Device Nomenclature

Table 10. Package Specific Information

PACKAGE TYPE	PINS	CONNECTOR
FYE	350	PGA


Figure 20. Part Number Description

11.1.2 Device Markings

The device marking will include both human-readable information and a 2-dimensional matrix code. The human-readable information is described in [Figure 21](#). The 2-dimensional matrix code is an alpha-numeric character string that contains the DMD part number, Part 1 of Serial Number, and Part 2 of Serial Number. The first character of the DMD Serial Number (part 1) is the manufacturing year. The second character of the DMD Serial Number (part 1) is the manufacturing month. The last character of the DMD Serial Number (part 2) is the bias voltage bin letter.

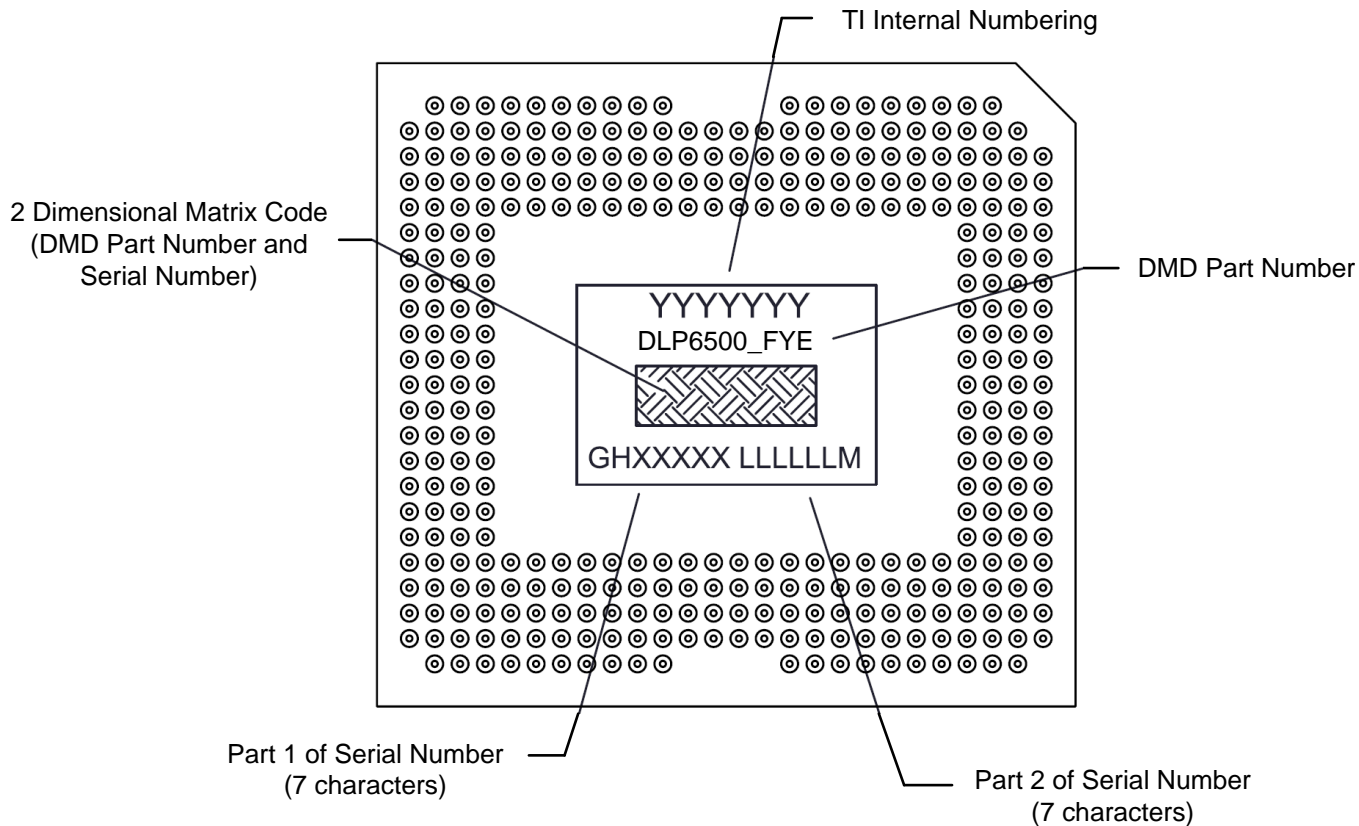


Figure 21. DMD Marking

11.2 Documentation Support

11.2.1 Related Documentation

The following documents contain additional information related to the use of the DLP6500 device.

Table 11. Related Documents

DOCUMENT	
DLPC900 Digital Controller Data Sheet	DLPS037
DLPC900 Software Programmer's Guide	DLPU018
DLPC910 Digital Controller Datasheet	DLPS064
DMD101: Introduction to Digital Micromirror Device (DMD) Technology	DLPA008

11.3 Community Resources

The following links connect to TI community resources. Linked contents are provided "AS IS" by the respective contributors. They do not constitute TI specifications and do not necessarily reflect TI's views; see TI's [Terms of Use](#).

TI E2E™ Online Community *TI's Engineer-to-Engineer (E2E) Community*. Created to foster collaboration among engineers. At e2e.ti.com, you can ask questions, share knowledge, explore ideas and help solve problems with fellow engineers.

Design Support *TI's Design Support* Quickly find helpful E2E forums along with design support tools and contact information for technical support.

11.4 Trademarks

E2E is a trademark of Texas Instruments.
 DLP is a registered trademark of Texas Instruments.
 All other trademarks are the property of their respective owners.

11.5 Electrostatic Discharge Caution



These devices have limited built-in ESD protection. The leads should be shorted together or the device placed in conductive foam during storage or handling to prevent electrostatic damage to the MOS gates.

11.6 Glossary

[SLYZ022](#) — *TI Glossary*.

This glossary lists and explains terms, acronyms, and definitions.

12 Mechanical, Packaging, and Orderable Information

The following pages include mechanical, packaging, and orderable information. This information is the most current data available for the designated devices. This data is subject to change without notice and revision of this document. For browser-based versions of this data sheet, refer to the left-hand navigation.

PACKAGING INFORMATION

Orderable Device	Status (1)	Package Type	Package Drawing	Pins	Package Qty	Eco Plan (2)	Lead finish/ Ball material (6)	MSL Peak Temp (3)	Op Temp (°C)	Device Marking (4/5)	Samples
DLP6500BFYE	ACTIVE	CPGA	FYE	350	1	RoHS & Green	NI-PD-AU	N / A for Pkg Type			Samples

(1) The marketing status values are defined as follows:

ACTIVE: Product device recommended for new designs.

LIFEBUY: TI has announced that the device will be discontinued, and a lifetime-buy period is in effect.

NRND: Not recommended for new designs. Device is in production to support existing customers, but TI does not recommend using this part in a new design.

PREVIEW: Device has been announced but is not in production. Samples may or may not be available.

OBSOLETE: TI has discontinued the production of the device.

(2) **RoHS:** TI defines "RoHS" to mean semiconductor products that are compliant with the current EU RoHS requirements for all 10 RoHS substances, including the requirement that RoHS substance do not exceed 0.1% by weight in homogeneous materials. Where designed to be soldered at high temperatures, "RoHS" products are suitable for use in specified lead-free processes. TI may reference these types of products as "Pb-Free".

RoHS Exempt: TI defines "RoHS Exempt" to mean products that contain lead but are compliant with EU RoHS pursuant to a specific EU RoHS exemption.

Green: TI defines "Green" to mean the content of Chlorine (Cl) and Bromine (Br) based flame retardants meet JS709B low halogen requirements of <=1000ppm threshold. Antimony trioxide based flame retardants must also meet the <=1000ppm threshold requirement.

(3) MSL, Peak Temp. - The Moisture Sensitivity Level rating according to the JEDEC industry standard classifications, and peak solder temperature.

(4) There may be additional marking, which relates to the logo, the lot trace code information, or the environmental category on the device.

(5) Multiple Device Markings will be inside parentheses. Only one Device Marking contained in parentheses and separated by a "-" will appear on a device. If a line is indented then it is a continuation of the previous line and the two combined represent the entire Device Marking for that device.

(6) Lead finish/Ball material - Orderable Devices may have multiple material finish options. Finish options are separated by a vertical ruled line. Lead finish/Ball material values may wrap to two lines if the finish value exceeds the maximum column width.

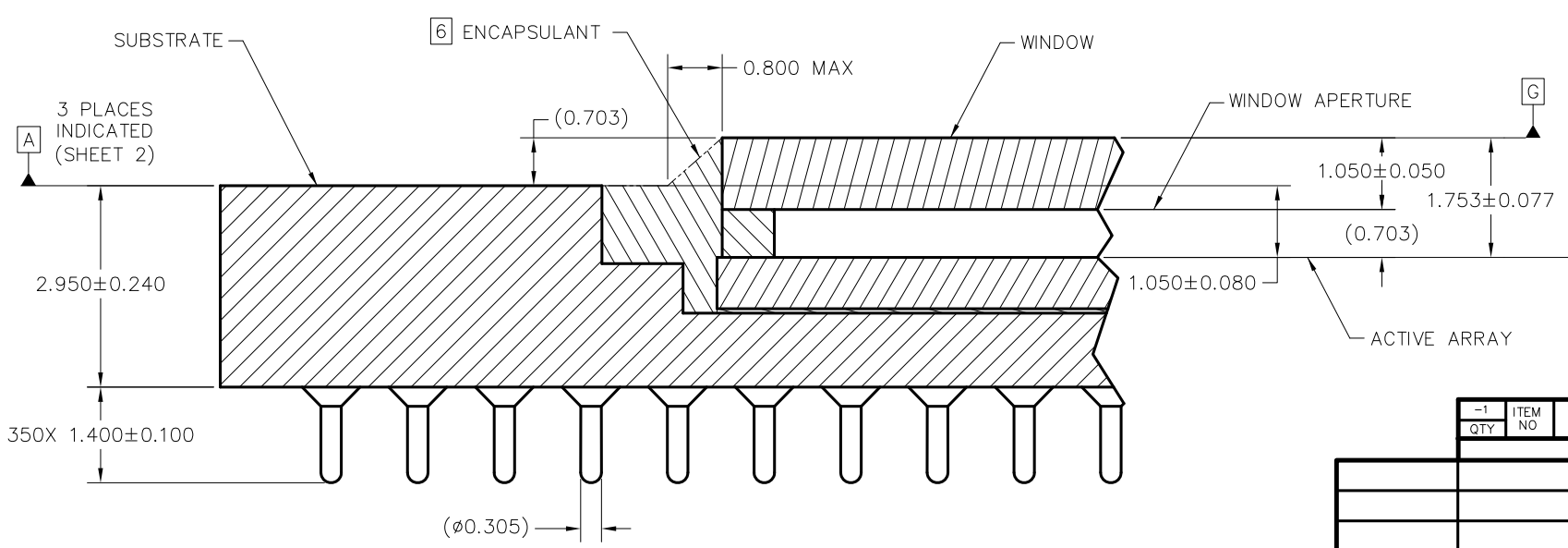
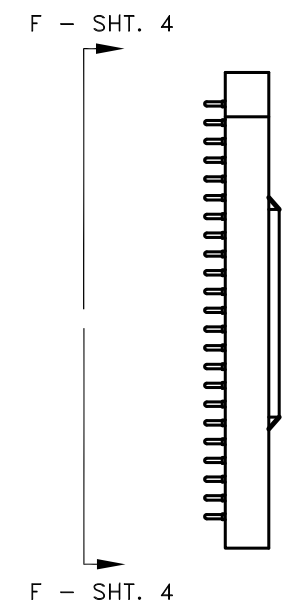
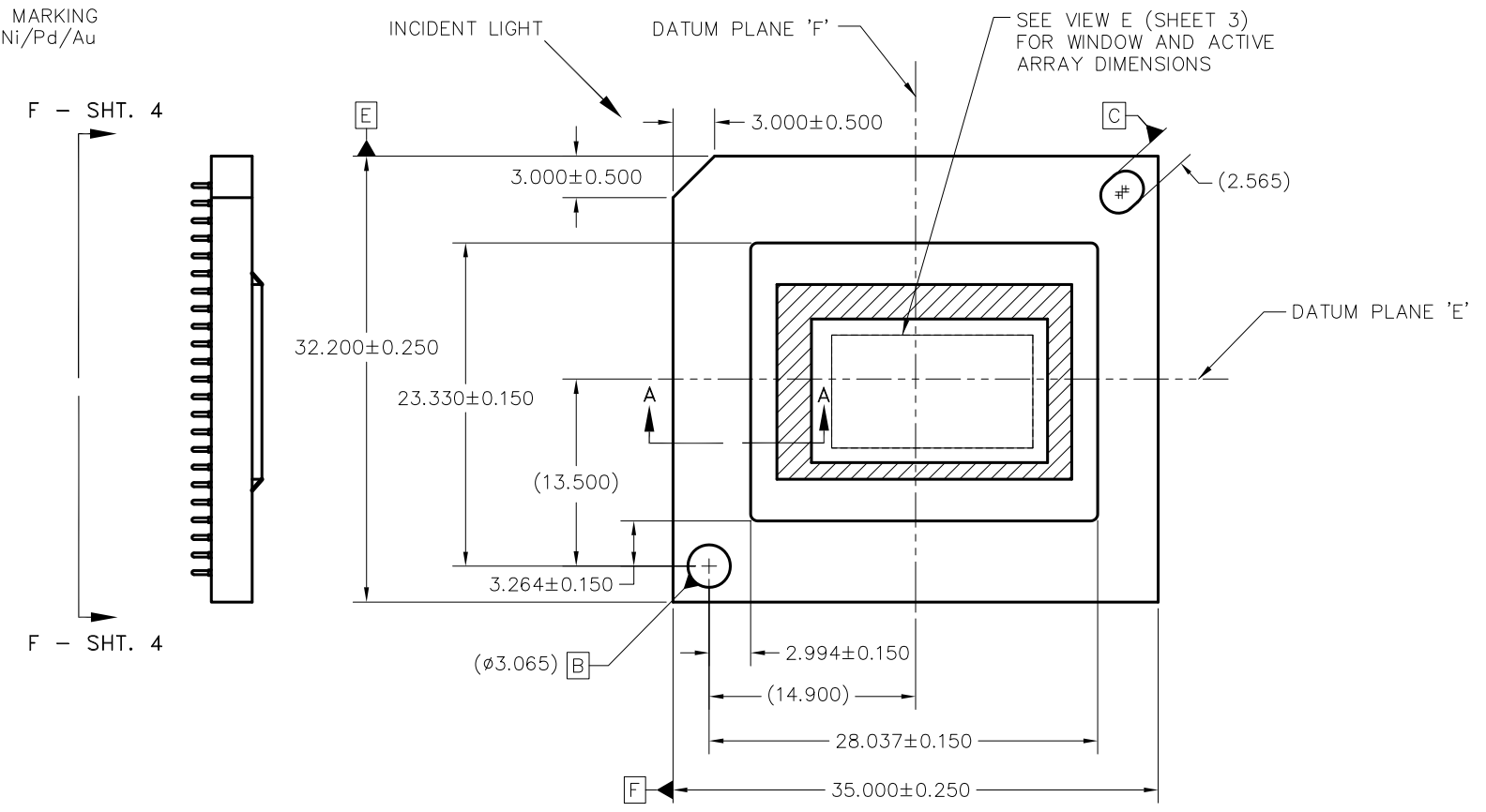
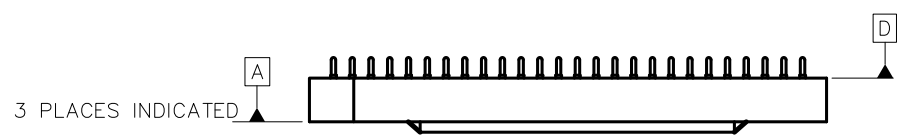
Important Information and Disclaimer:The information provided on this page represents TI's knowledge and belief as of the date that it is provided. TI bases its knowledge and belief on information provided by third parties, and makes no representation or warranty as to the accuracy of such information. Efforts are underway to better integrate information from third parties. TI has taken and continues to take reasonable steps to provide representative and accurate information but may not have conducted destructive testing or chemical analysis on incoming materials and chemicals. TI and TI suppliers consider certain information to be proprietary, and thus CAS numbers and other limited information may not be available for release.

In no event shall TI's liability arising out of such information exceed the total purchase price of the TI part(s) at issue in this document sold by TI to Customer on an annual basis.

REVISIONS			
REV	DESCRIPTION	DATE	APPROVED
A	ECO 2111739, INITIAL RELEASE	11/04/2010	F. ARMSTRONG
B	ECO 2112602, CHANGE TOLERANCES ON OUTSIDE DIMENSIONS TO ±0.250; CHANGE DATUM B, BACK SIDE PINS, AND DATUM PLANES 'E' AND 'F' TO REFERENCE CENTERLINE OF PART	12/10/2010	F. ARMSTRONG
C	ECO 2135107, ADD NOTE 8 TO SHEETS 1 & 4	08/02/2013	F. ARMSTRONG
D	ECO 2139887, CHG GLASS SIZE UPPER TOL TO +0.050 TO MATCH PROCESS CAPABILITY	02/14/2014	F. ARMSTRONG
E	ECO 2179962, ADD PKG REF DESIGNATOR FYE TO TITLE BLOCK	03/04/2019	F. ARMSTRONG

NOTES: UNLESS OTHERWISE SPECIFIED:

- 1 SUBSTRATE EDGE PERPENDICULARITY TOLERANCE APPLIES TO ENTIRE SURFACE
- 2 DIE PARALLELISM TOLERANCE APPLIES TO DMD ACTIVE ARRAY ONLY
- 3 ROTATION ANGLE OF DMD ACTIVE ARRAY IS A REFINEMENT OF THE LOCATION TOLERANCE AND HAS A MAXIMUM ALLOWED VALUE OF 0.8 DEGREES
- 4 SUBSTRATE SYMBOLIZATION PAD, AND PLATING AT BOTTOM OF DATUMS B AND C HOLES ARE ELECTRICALLY CONNECTED TO VSS PLANE WITHIN THE SUBSTRATE
- 5 BOUNDARY MIRRORS SURROUNDING THE DMD ACTIVE AREA
- 6 MAXIMUM ENCAPSULANT PROFILE SHOWN
- 7 ENCAPSULANT ALLOWED ON THE SURFACE OF THE CERAMIC IN THE AREA SHOWN IN VIEW B (SHEET 2). ENCAPSULANT SHALL NOT EXCEED 0.200 THICKNESS MAXIMUM.
- 8 SUBSTRATES PLATED WITH Ni/Au SHALL HAVE THE THREE-DIGIT NUMERICAL MARKING IN THE AREA ABOVE THE SYMBOLIZATION PAD. SUBSTRATES PLATED WITH Ni/Pd/Au SHALL HAVE THE MARKING IN THE AREA BELOW THE SYMBOLIZATION PAD.



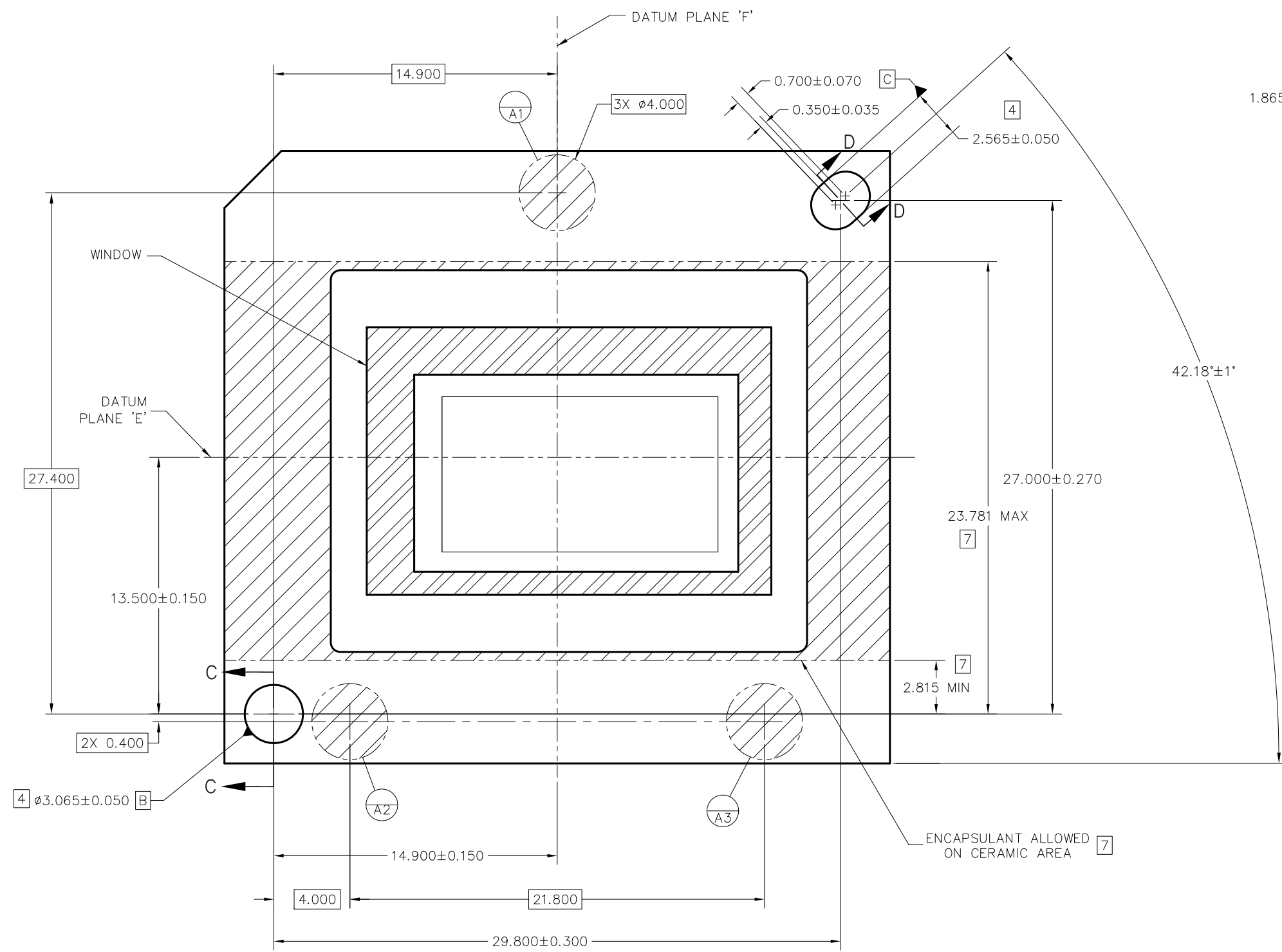
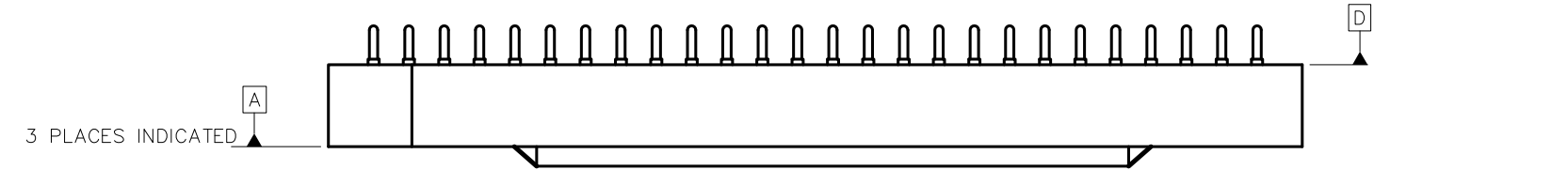
SECTION A-A
SCALE 20/1

-1 QTY	ITEM NO	PART OR IDENTIFYING NUMBER	NOMENCLATURE OR DESCRIPTION	NOTES
PARTS LIST				
			DATE 11/02/2010	DESIGNED BY F. ARMSTRONG
			DATE 11/02/2010	ENGINEERED BY F. ARMSTRONG
			DATE 11/08/2010	QUALITY CONTROL BY P. KONRAD
			DATE 11/08/2010	MANUFACTURED BY M. DORAK

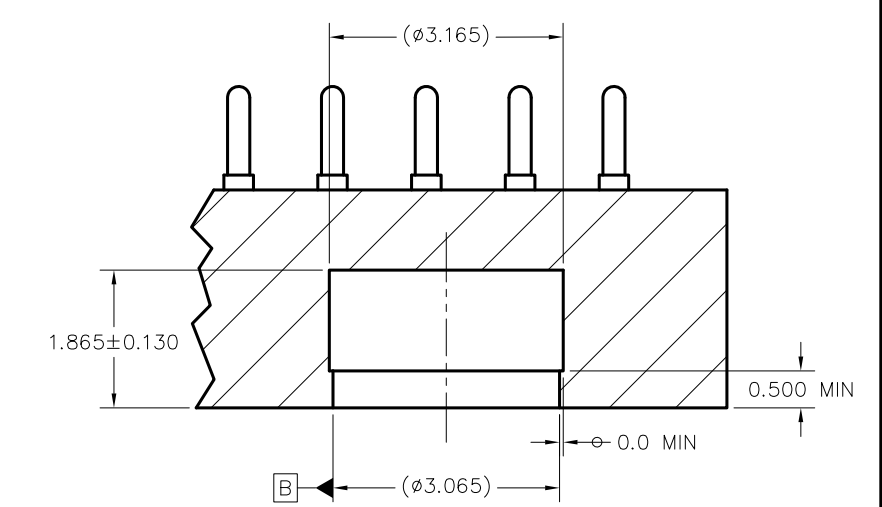
UNLESS OTHERWISE SPECIFIED DIMENSIONS ARE IN MILLIMETERS TOLERANCES: ANGLES ± 1° 2 PLACE DECIMALS ± 0.25 3 PLACE DECIMALS ± 0.50		SCALE	4/1
REMOVE ALL BURRS AND SHARP EDGES INTERPRET DIMENSIONS IN ACCORDANCE WITH ASME Y14.5-1994 DIMENSIONAL LIMITS APPLY BEFORE PROCESSES PARENTHEetical INFO FOR REF ONLY		SIZE	B
THIRD ANGLE PROJECTION		DRAWING NO	2511543
APPLICATION		REV	E
NEXT ASSY USED ON		SHEET 1 OF 4	

TEXAS INSTRUMENTS
Dallas, Texas

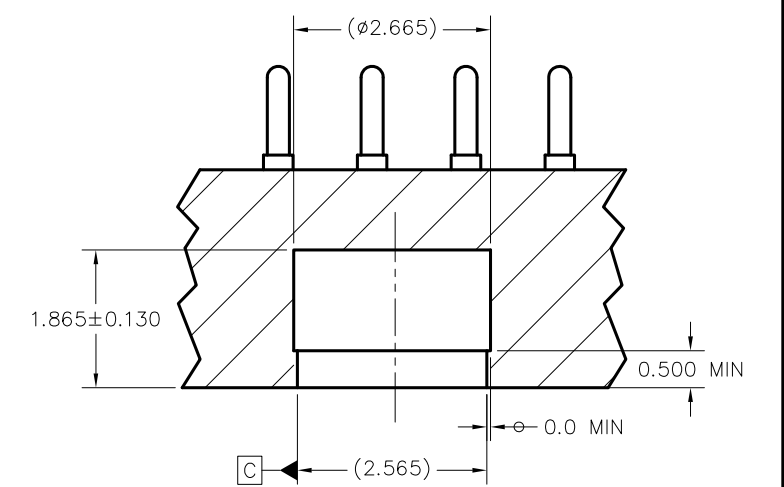
ICD, MECHANICAL, DMD
.65 1080p MVSP 2XLVDS
SERIES 600 (FYE PACKAGE)



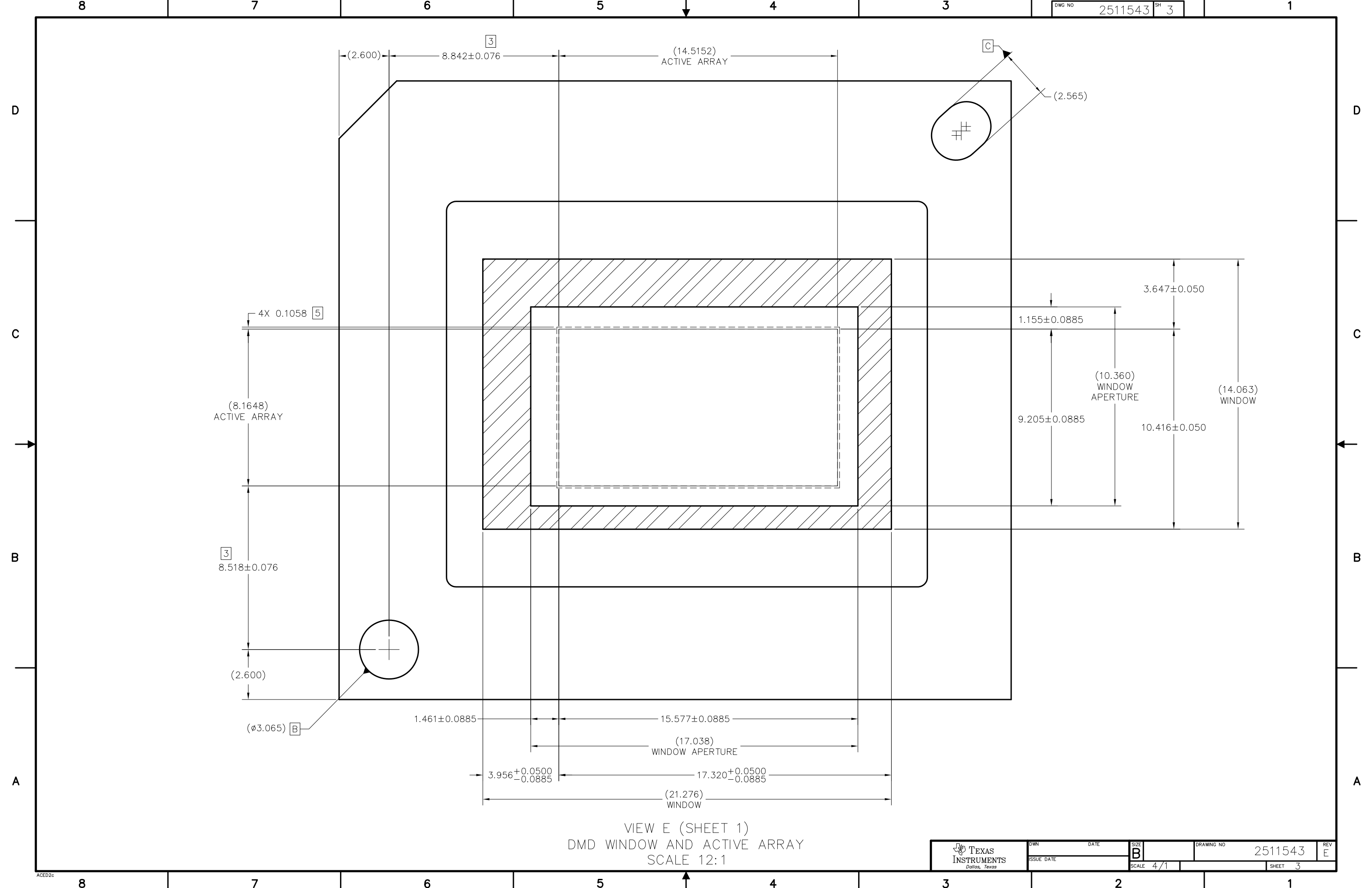
VIEW B
DATUMS AND ENCAPSULANT ALLOWABLE AREA
SCALE 8/1



SECTION C-C
DATUM B
SCALE 16/1



SECTION D-D
DATUM C
SCALE 16/1



(2.600) 3 8.842±0.076 (14.5152) ACTIVE ARRAY

(2.565) C

4X 0.1058 5

(8.1648) ACTIVE ARRAY

1.155±0.0885 3.647±0.050

(10.360) WINDOW APERTURE (14.063) WINDOW

9.205±0.0885 10.416±0.050

3 8.518±0.076

(2.600)

(∅3.065) B

1.461±0.0885 15.577±0.0885

(17.038) WINDOW APERTURE

3.956^{+0.0500}_{-0.0885} 17.320^{+0.0500}_{-0.0885}

(21.276) WINDOW

VIEW E (SHEET 1)
DMD WINDOW AND ACTIVE ARRAY
SCALE 12:1

 TEXAS INSTRUMENTS Dallas, Texas	DWN	DATE	SIZE	DRAWING NO	REV
	ISSUE DATE		B	2511543	E
SCALE 4/1			SHEET 3		

D

C

B

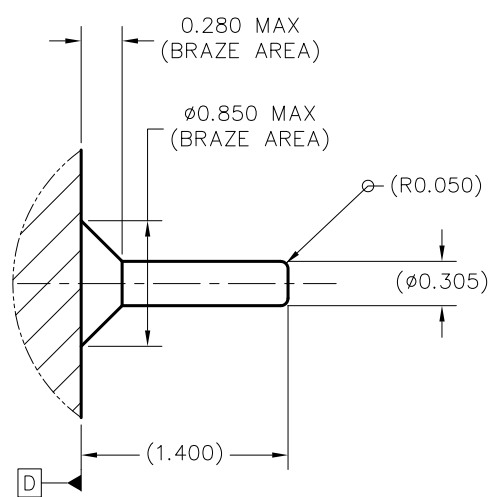
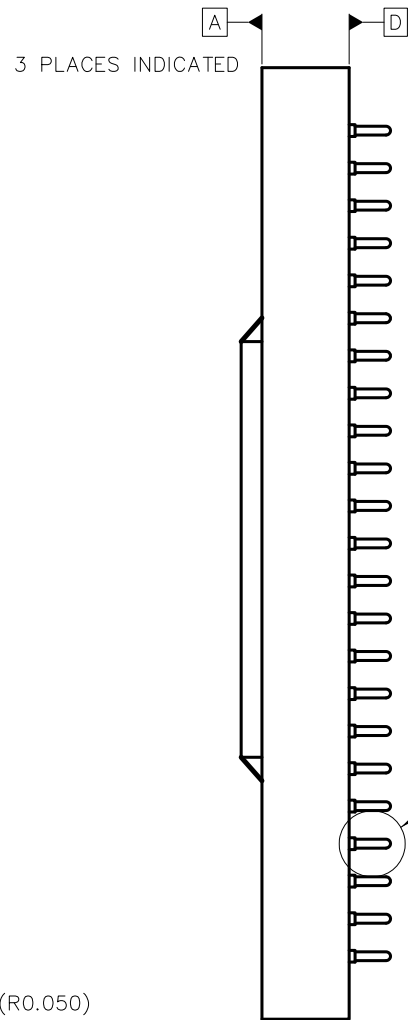
A

D

C

B

A

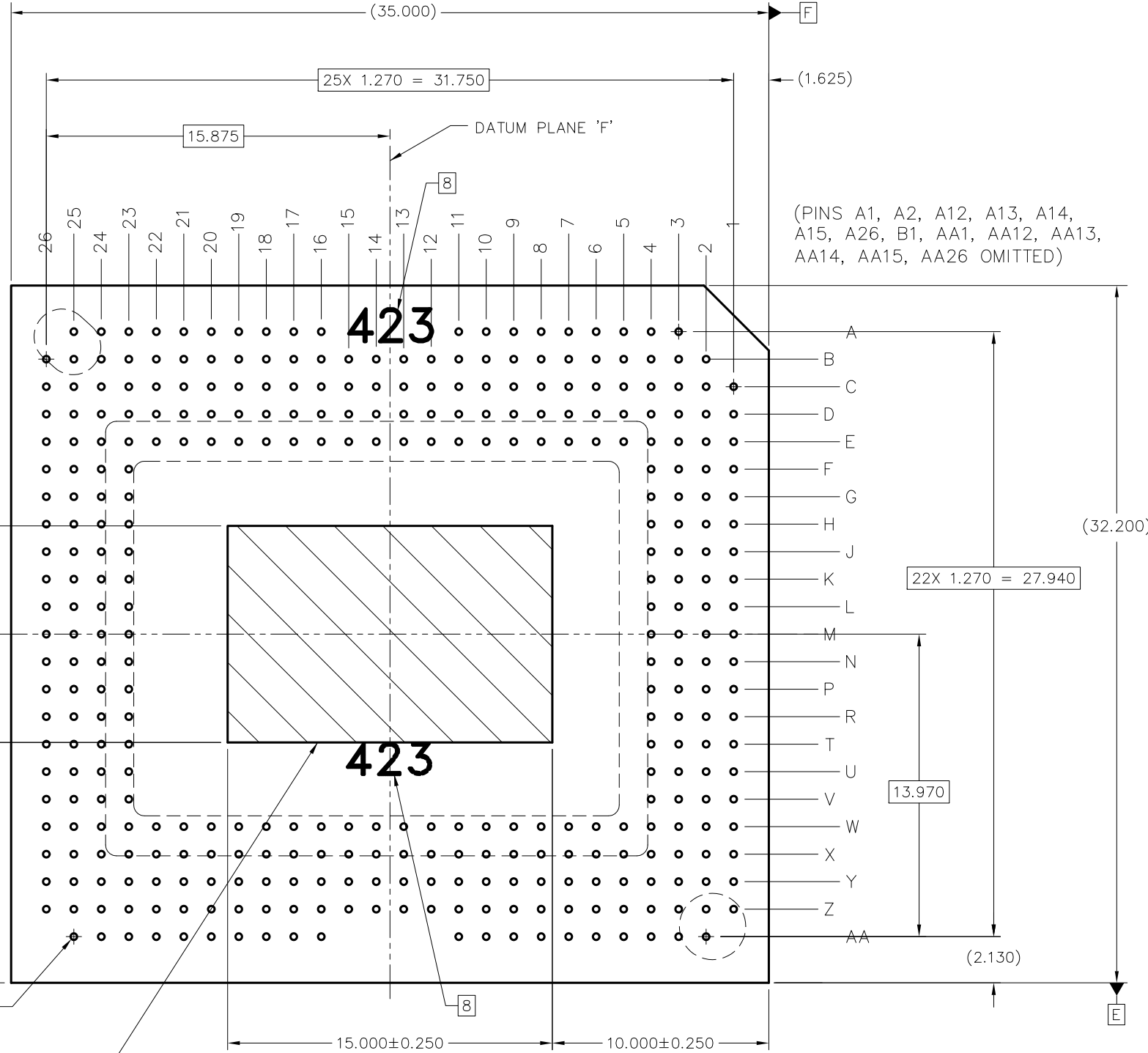


DETAIL G (350 PLACES)
PIN & BRAZE DIMENSIONS
SCALE 40/1

350X ø0.305^{+0.05}_{-0.025} PINS

ø0.500	D	E	F
ø0.250	D		

4 SYMBOLIZATION PAD



(PINS A1, A2, A12, A13, A14, A15, A26, B1, AA1, AA12, AA13, AA14, AA15, AA26 OMITTED)

VIEW F-F (SHEET 1)
PINS AND SYMBOLIZATION PAD
SCALE 8/1

IMPORTANT NOTICE AND DISCLAIMER

TI PROVIDES TECHNICAL AND RELIABILITY DATA (INCLUDING DATASHEETS), DESIGN RESOURCES (INCLUDING REFERENCE DESIGNS), APPLICATION OR OTHER DESIGN ADVICE, WEB TOOLS, SAFETY INFORMATION, AND OTHER RESOURCES "AS IS" AND WITH ALL FAULTS, AND DISCLAIMS ALL WARRANTIES, EXPRESS AND IMPLIED, INCLUDING WITHOUT LIMITATION ANY IMPLIED WARRANTIES OF MERCHANTABILITY, FITNESS FOR A PARTICULAR PURPOSE OR NON-INFRINGEMENT OF THIRD PARTY INTELLECTUAL PROPERTY RIGHTS.

These resources are intended for skilled developers designing with TI products. You are solely responsible for (1) selecting the appropriate TI products for your application, (2) designing, validating and testing your application, and (3) ensuring your application meets applicable standards, and any other safety, security, or other requirements. These resources are subject to change without notice. TI grants you permission to use these resources only for development of an application that uses the TI products described in the resource. Other reproduction and display of these resources is prohibited. No license is granted to any other TI intellectual property right or to any third party intellectual property right. TI disclaims responsibility for, and you will fully indemnify TI and its representatives against, any claims, damages, costs, losses, and liabilities arising out of your use of these resources.

TI's products are provided subject to TI's Terms of Sale (www.ti.com/legal/termsofsale.html) or other applicable terms available either on ti.com or provided in conjunction with such TI products. TI's provision of these resources does not expand or otherwise alter TI's applicable warranties or warranty disclaimers for TI products.

Mailing Address: Texas Instruments, Post Office Box 655303, Dallas, Texas 75265
Copyright © 2020, Texas Instruments Incorporated