

DLPC910 Digital DMD Controller

1 Features

- Operates the following DLP® DMD Chips
 - DLP9000X DMD
 - DLP9000XUV DMD
 - DLP6500 DMD
- User-selectable input clock rate
 - 400 MHz or 480 MHz with the DLP9000X and DLP9000XUV
 - 400 MHz with the DLP6500
- Continuous streaming input data
 - Up to 61 gigabits per second with the DLP9000X and DLP9000XUV
 - Up to 24 gigabits per second with the DLP6500
- Enables high-speed pattern rates
 - Up to 15 kHz binary patterns per second with the DLP9000X and DLP9000XUV
 - Up to 11.5 kHz binary patterns per second with the DLP6500
- 8-Bit gray scale pattern rates
 - Up to 1.8 kHz with the DLP9000X and DLP9000XUV with modulated illumination
 - Up to 1.4 kHz with the DLP6500 with modulated illumination
- 64-Bit 2x LVDS data bus interface
- Random DMD row addressing and Load4 loading
- Compatible with a variety of user-defined application processors or FPGAs
- I²C interface for control and status queries

2 Applications

- Lithography
 - Direct imaging
 - Flat panel display
 - Printed circuit board manufacturing
- Industrial
 - 3D printing
 - 3D scanners for machine vision
 - Quality control
- Displays
 - 3D imaging
 - Augmented reality and information overlay

3 Description

The DLPC910 is a digital controller for three DMDs: the DLP9000X, DLP9000XUV, and DLP6500. The DLPC910 provides customers a high-speed data and control interface for the DMD to enable binary pattern rates up to 15 kHz with the DLP9000X/DLP9000XUV DMDs, and 11.5 kHz with the DLP6500 DMD. These fast pattern rates set DLP technology apart from other spatial light modulators and offer customers a strategic advantage for equipment needing fast, accurate, and programmable light steering capability. The DLPC910 provides the required mirror clocking pulses and timing information to the DMD. The unique capability and value offered by the DLPC910 device makes it well suited to support a wide variety of lithography, industrial, and advanced display applications.

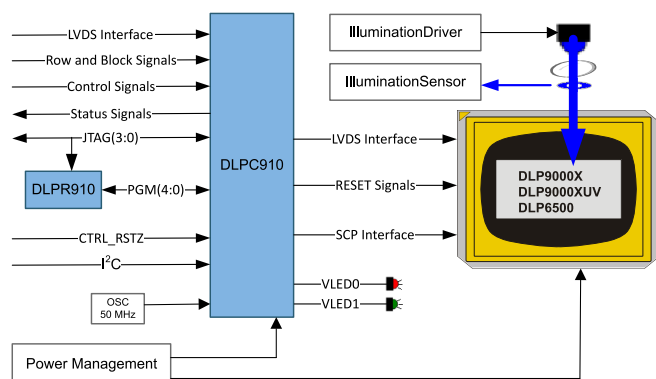
In DLP-based electronics solutions, image data is 100% digital from the DLPC910 input port to the projected image. The image stays in digital form and is never converted into an analog signal. The DLPC910 processes the digital input image and converts the data into a format needed by the DMD for proper display. The DMD then steers the light to the location determined by the pixel data loaded into the DMD.

For complete electrical and mechanical specifications of the DLPC910, see the Virtex®-5 product specification at www.xilinx.com.

Device Information (1)

PART NUMBER	PACKAGE	BODY SIZE (NOM)
DLPC910	FCBGA (676)	27.00 mm × 27.00 mm

(1) For all available packages, see the orderable addendum at the end of the data sheet.



Typical Application Diagram



Table of Contents

1 Features	1	8 Application and Implementation	47
2 Applications	1	8.1 Application Information.....	47
3 Description	1	8.2 Typical Application.....	47
4 Revision History	2	9 Power Supply Recommendations	52
5 Pin Configuration and Functions	4	9.1 Power Supply Distribution and Requirements.....	52
Pin Functions.....	5	9.2 Power Down Requirements.....	52
6 Specifications	15	10 Layout	53
6.1 Absolute Maximum Ratings.....	15	10.1 Layout Guidelines.....	53
6.2 ESD Ratings.....	15	10.2 Layout Example.....	57
6.3 Recommended Operating Conditions.....	15	11 Device and Documentation Support	59
6.4 Thermal Information.....	16	11.1 Device Support.....	59
6.5 Electrical Characteristics.....	16	11.2 Documentation Support.....	59
6.6 Timing Requirements.....	16	11.3 Support Resources.....	59
7 Detailed Description	18	11.4 Trademarks.....	59
7.1 Overview.....	18	11.5 Electrostatic Discharge Caution.....	60
7.2 Functional Block Diagram.....	18	11.6 Glossary.....	60
7.3 Feature Description.....	18	12 Mechanical, Packaging, and Orderable Information	60
7.4 Device Functional Modes.....	26		
7.5 Register Map.....	40		

4 Revision History

Changes from Revision C (March 2020) to Revision D (September 2020)	Page
• Updated Description section for DDC_DCLK_(A,B,C,D)_DP(N,P), DDC_DIN_(A,B,C,D)(1-15)_DP(N,P), and DVALID_(A,B,C,D)_DP(N,P) from "100-Ω internal LVDS termination." to "100-Ω external LVDS termination required".....	5
• Updated I/O Type section for LOAD4_ENZ from LVCMOS33_I to LVCMOS25_I.....	5
• Updated I/O Type section for DMD_IRQ from LVCMOS33_O to LVCMOS25_O.....	5
• Corrected HBM and CDM values.	15
• Corrected "...during which time RST_ACTIVE is asserted." to "...during which time RST_ACTIVE is NOT asserted.".....	21
• Updated section name from "DMD Power Down" to "DMD Mirror Float". Removed outdated information about power down.....	21
• Removed "After PWR_FLOAT is asserted, a Mirror Clocking Pulse is issued, or a mirror Float operation is requested".....	23
• Updated I ² C terminology to "primary" and "secondary" throughout section.	24
• Updated performance plot for DLP6500 DMD (Figure 8-4).....	50
• Updated performance plot for DLP9000X/DLP9000XUV DMD (Figure 8-3).....	50

Changes from Revision B (November 2016) to Revision C (March 2020)	Page
• Changed title from DLPC910 Digital Controller to DLPC910 Digital DMD Controller.....	1
• Added new DLP9000XUV DMD as DLPC910 supported DMD (multiple places).....	1
• Updated "DDC_IIC_x" signal names to "DDC_I2C_x" in multiple locations.....	5
• Added missing DLPC_DOUTBUSY pin to complete the listing of all 676 pins of DLPC910.....	5
• Added missing unconnected pins to complete the listing of all 676 pins of DLPC910.....	5
• Corrected signal name RESETZ to RESET_RSTZ.....	18
• Deleted package code FLS from DMD callout for readability.....	18
• Added section describing DDC_Version output pins.....	23
• Corrected I ² C version from 1.0-1995 to 1.0-1992.....	24
• Combined Figure 8 and Figure 9 into new Figure 7-6 to incorporate Application Note/Tech Advisory dlpa092 (DLPC910 / DLPR910A - Continuous Row Command Operation).	34

• Added DLP9000XUV to DMD Characteristics Table	35
• Changed "Connected DMD ID" to "Connected DMD TYPE" to match nomenclature of DMD_TYPE_[3:0] input pins	40
• Added explanation that DDC_VERSION_(2:0) output values are mirrored in DESTOP_VERSION register... ..	43
• Corrected signal name RESETZ to RESET_RSTZ in DLP9000X block diagram	47
• Corrected signal name RESETZ to RESET_RSTZ in DLP6500 block diagram	47
• Added DLP9000XUV to Figure 9-1 - changed previous sentence to clarify one DMD per DLPC910/DLPR910.	52
• Added DLP9000XUV link to Related Documentation section	59

Changes from Revision A (October 2015) to Revision B (November 2016) Page

• Simplified datasheet title.....	1
• Added family of supported DMDs in Section 1	1
• Updated supply current values in Section 6.5	16
• Indicated how SPEED_SEL should be set when DLP6500 is used in Section 7.3.2	18
• Added reference to the Section 9.2 in Section 7.3.6.4	21
• Replaced DMD part number and row count with variable VRes in Section 7.3.6.5.1	22
• Indicated how SPEED_SEL should be set when DLP6500 is used in Section 7.3.10.3	25
• Added cross reference to Table 7-11 in Section 7.4	26
• Added cross reference to Table 7-11 in Section 7.4.1	26
• Added pixel mapping tables for both DMDs in Section 7.4.1	26
• Added single row write example for the DLP6500 in Section 7.4.1.1	34
• Added DLP6500 to Table 7-11	35
• Added the number of row cycles required to clear the entire DMD for the DLP6500 in Section 7.4.3	37
• Added DLP6500 to Table 7-13	37
• Added cross reference to Table 7-11 in Section 7.4.4	37
• Added additional description for activating buses in Section 7.5.1.9	45
• Added DLP6500 DMD to application details to Section 8.2	47
• Added cross reference to Table 7-11 in Section 8.2.1.1	49
• Replaced references to part numbers with DMD in Section 8.2.1.2	49
• Associated performance plot with appropriate DMD (Figure 8-3).....	50
• Added performance plot for DLP6500 DMD (Figure 8-4).....	50
• Added power down requirements and increased the minimum 300 μs to 500 μs for maintaining power levels in Section 9.2	52
• Added Table 9-1 , Figure 9-2 , Figure 9-3	52

Changes from Revision * (September 2015) to Revision A (October 2015) Page

• Changed the device from: Product Preview to Production Data.....	1
--	---

5 Pin Configuration and Functions

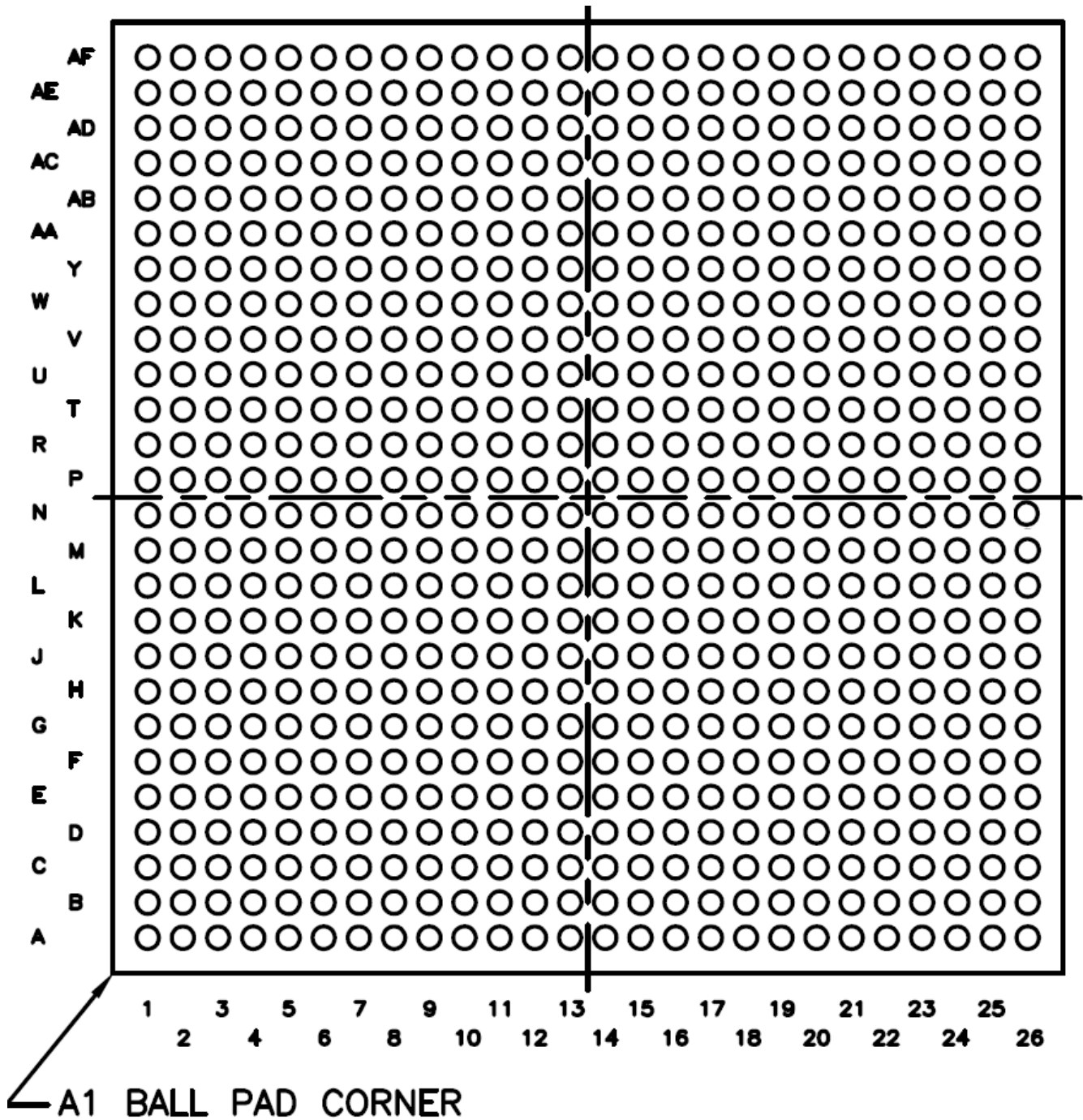


Figure 5-1. ZYR Package 676-Pin FCBGA Top View

I/O Type Descriptions

I/O TYPE	DESCRIPTION
PWR	Power
GND	Ground
LVDS_25_NI	LVDS 2.5-V negative input
LVDS_25_PI	LVDS 2.5-V positive input
LVDS_25_NO	LVDS 2.5-V negative output
LVDS_25_PO	LVDS 2.5-V positive output
LVCOS25_I	LVCOS 2.5-V input
LVCOS25_O	LVCOS 2.5-V output
LVCOS25_B	LVCOS 2.5-V bidirectional
LVCOS33_I	LVCOS 3.3-V input
LVCOS33_O	LVCOS 3.3-V output
LVCOS33_B	LVCOS 3.3-V bidirectional
LVDCI_33_O	Low-voltage digitally controlled impedance 3.3-V output
NC	No connection

Pin Functions

PIN		I/O TYPE	ACTIVE (HI OR LO)	CLOCK SYSTEM	DESCRIPTION
NAME	NO.				
CTRL_RSTZ	F9	LVCOS25_I	Lo = 0	-	DLPC910 Reset.
DDC_I2C_ADDR_SEL	AA10	LVCOS33_I	Hi = 1	-	DLPC910 Secondary I ² C Address Lo = 0x34, Hi = 0x36. Includes Internal pull-up.
DDC_I2C_SCL	Y8	LVCOS33_B	-	-	DLPC910 Secondary I ² C Clock. Requires an external 1-kΩ pull-up resistor.
DDC_I2C_SDA	AA8	LVCOS33_B	-	DDC_I2C_SCL	DLPC910 Secondary I ² C Data. Requires an external 1-kΩ pull-up resistor.
CLKIN_R	E10	LVCOS25_I	-	Reference clock	50-MHz Reference Clock
RESET_ADDR0	AD18	LVDCI_33_O	Hi	-	Connect to DMD RESET_ADDR0
RESET_ADDR1	AC18	LVDCI_33_O	Hi	-	Connect to DMD RESET_ADDR1
RESET_ADDR2	AC17	LVDCI_33_O	Hi	-	Connect to DMD RESET_ADDR2
RESET_ADDR3	AC16	LVDCI_33_O	Hi	-	Connect to DMD RESET_ADDR3
RESET_MODE0	AC13	LVDCI_33_O	Hi	-	Connect to DMD RESET_MODE0
RESET_MODE1	AD13	LVDCI_33_O	Hi	-	Connect to DMD RESET_MODE1
RESET_SEL0	AD15	LVDCI_33_O	Hi	-	Connect to DMD RESET_SEL0
RESET_SEL1	AC14	LVDCI_33_O	Hi	-	Connect to DMD RESET_SEL1
RESET_STROBE	AD10	LVDCI_33_O	Hi	-	Connect to DMD RESET_STROBE
RESET_OEZ	AD14	LVDCI_33_O	Lo	-	Connect to DMD RESET_OEZ
RESET_IRQZ	AD8	LVCOS33_I	Lo	-	Connect to DMD RESET_IRQZ
RESET_RSTZ	AB10	LVDCI_33_O	Lo	-	Connect to DMD PWRDNZ and RESETZ inputs
SCPCLK	AC7	LVDCI_33_O	-	-	Connect to DMD SCP_CLK
SCPDI	AC8	LVCOS33_I	-	SCPCLK	Connect to DMD SCP_DO
SCPDO	AC9	LVDCI_33_O	-	SCPCLK	Connect to DMD SCP_DI
DMD_SCPENZ	AB9	LVDCI_33_O	Lo	SCPCLK	Connect to DMD SCP_ENZ
DMD_TYPE_0	G11	LVCOS25_O	Hi	-	Attached DMD Type bit 0
DMD_TYPE_1	G12	LVCOS25_O	Hi	-	Attached DMD Type bit 1
DMD_TYPE_2	H11	LVCOS25_O	Hi	-	Attached DMD Type bit 2
DMD_TYPE_3	H12	LVCOS25_O	Hi	-	Attached DMD Type bit 3
BLKAD_0	E12	LVCOS25_I	Hi	DDC_DCLK_[A,B,C,D]	Block Address bit 0
BLKAD_1	D13	LVCOS25_I	Hi	DDC_DCLK_[A,B,C,D]	Block Address bit 1
BLKAD_2	E13	LVCOS25_I	Hi	DDC_DCLK_[A,B,C,D]	Block Address bit 2
BLKAD_3	F13	LVCOS25_I	Hi	DDC_DCLK_[A,B,C,D]	Block Address bit 3
BLKMD_0	H13	LVCOS25_I	Hi	DDC_DCLK_[A,B,C,D]	Block Mode Bit 0

DLPC910

DLPS064D – SEPTEMBER 2015 – REVISED SEPTEMBER 2020

PIN		I/O TYPE	ACTIVE (HI OR LO)	CLOCK SYSTEM	DESCRIPTION
NAME	NO.				
BLKMD_1	H14	LVC MOS25_I	Hi	DDC_DCLK_[A,B,C,D]	Block Mode Bit 1
ROWAD_0	D14	LVC MOS25_I	Hi	-	DMD Row Address bit 0
ROWAD_1	D15	LVC MOS25_I	Hi	-	DMD Row Address bit 1
ROWAD_2	E15	LVC MOS25_I	Hi	-	DMD Row Address bit 2
ROWAD_3	F14	LVC MOS25_I	Hi	-	DMD Row Address bit 3
ROWAD_4	G14	LVC MOS25_I	Hi	-	DMD Row Address bit 4
ROWAD_5	E16	LVC MOS25_I	Hi	-	DMD Row Address bit 5
ROWAD_6	F15	LVC MOS25_I	Hi	-	DMD Row Address bit 6
ROWAD_7	G15	LVC MOS25_I	Hi	-	DMD Row Address bit 7
ROWAD_8	E17	LVC MOS25_I	Hi	-	DMD Row Address bit 8
ROWAD_9	F17	LVC MOS25_I	Hi	-	DMD Row Address bit 9
ROWAD_10	G16	LVC MOS25_I	Hi	-	DMD Row Address bit 10
ROWMD_0	H17	LVC MOS25_I	Hi	-	DMD Row Mode bit 0
ROWMD_1	H16	LVC MOS25_I	Hi	-	DMD Row Mode bit 1
DDC_DCLK_A_DPN	B21	LVDS_25_NI	-	-	Input Bus A Clock. 100-Ω external LVDS termination required.
DDC_DCLK_A_DPP	C21	LVDS_25_PI	-	-	
DDC_DCLK_B_DPN	A7	LVDS_25_NI	-	-	Input Bus B Clock. 100-Ω external LVDS termination required.
DDC_DCLK_B_DPP	B7	LVDS_25_PI	-	-	
DDC_DCLK_C_DPN	K20	LVDS_25_NI	-	-	Input Bus C Clock. 100-Ω external LVDS termination required.
DDC_DCLK_C_DPP	K21	LVDS_25_PI	-	-	
DDC_DCLK_D_DPN	L5	LVDS_25_NI	-	-	Input Bus D Clock. 100-Ω external LVDS termination required.
DDC_DCLK_D_DPP	K5	LVDS_25_PI	-	-	
DDC_DCLKOUT_A_DPN	N1	LVDS_25_NO	-	-	Output Bus A Clock to DMD.
DDC_DCLKOUT_A_DPP	M1	LVDS_25_PO	-	-	
DDC_DCLKOUT_B_DPN	Y5	LVDS_25_NO	-	-	Output Bus B Clock to DMD.
DDC_DCLKOUT_B_DPP	Y6	LVDS_25_PO	-	-	
DDC_DCLKOUT_C_DPN	AA22	LVDS_25_NO	-	-	Output Bus C Clock to DMD.
DDC_DCLKOUT_C_DPP	AB22	LVDS_25_PO	-	-	
DDC_DCLKOUT_D_DPN	M26	LVDS_25_NO	-	-	Output Bus D Clock to DMD.
DDC_DCLKOUT_D_DPP	M25	LVDS_25_PO	-	-	
DDC_DIN_A0_DPN	A15	LVDS_25_NI	-	DDC_DCLK_A	Input Bus A Data bit 0. 100-Ω external LVDS termination required.
DDC_DIN_A0_DPP	A14	LVDS_25_PI	-	DDC_DCLK_A	
DDC_DIN_A1_DPN	B14	LVDS_25_NI	-	DDC_DCLK_A	Input Bus A Data bit 1. 100-Ω external LVDS termination required.
DDC_DIN_A1_DPP	C14	LVDS_25_PI	-	DDC_DCLK_A	
DDC_DIN_A2_DPN	B16	LVDS_25_NI	-	DDC_DCLK_A	Input Bus A Data bit 2. 100-Ω external LVDS termination required.
DDC_DIN_A2_DPP	B15	LVDS_25_PI	-	DDC_DCLK_A	
DDC_DIN_A3_DPN	C16	LVDS_25_NI	-	DDC_DCLK_A	Input Bus A Data bit 3. 100-Ω external LVDS termination required.
DDC_DIN_A3_DPP	D16	LVDS_25_PI	-	DDC_DCLK_A	
DDC_DIN_A4_DPN	A17	LVDS_25_NI	-	DDC_DCLK_A	Input Bus A Data bit 4. 100-Ω external LVDS termination required.
DDC_DIN_A4_DPP	B17	LVDS_25_PI	-	DDC_DCLK_A	
DDC_DIN_A5_DPN	C17	LVDS_25_NI	-	DDC_DCLK_A	Input Bus A Data bit 5. 100-Ω external LVDS termination required.
DDC_DIN_A5_DPP	D18	LVDS_25_PI	-	DDC_DCLK_A	
DDC_DIN_A6_DPN	A19	LVDS_25_NI	-	DDC_DCLK_A	Input Bus A Data bit 6. 100-Ω external LVDS termination required.
DDC_DIN_A6_DPP	A18	LVDS_25_PI	-	DDC_DCLK_A	
DDC_DIN_A7_DPN	C18	LVDS_25_NI	-	DDC_DCLK_A	Input Bus A Data bit 7. 100-Ω external LVDS termination required.
DDC_DIN_A7_DPP	B19	LVDS_25_PI	-	DDC_DCLK_A	
DDC_DIN_A8_DPN	D19	LVDS_25_NI	-	DDC_DCLK_A	Input Bus A Data bit 8. 100-Ω external LVDS termination required.
DDC_DIN_A8_DPP	C19	LVDS_25_PI	-	DDC_DCLK_A	
DDC_DIN_A9_DPN	B20	LVDS_25_NI	-	DDC_DCLK_A	Input Bus A Data bit 9. 100-Ω external LVDS termination required.
DDC_DIN_A9_DPP	A20	LVDS_25_PI	-	DDC_DCLK_A	
DDC_DIN_A10_DPN	A22	LVDS_25_NI	-	DDC_DCLK_A	Input Bus A Data bit 10. 100-Ω external LVDS termination required.
DDC_DIN_A10_DPP	B22	LVDS_25_PI	-	DDC_DCLK_A	
DDC_DIN_A11_DPN	A24	LVDS_25_NI	-	DDC_DCLK_A	Input Bus A Data bit 11.

PIN		I/O TYPE	ACTIVE (HI OR LO)	CLOCK SYSTEM	DESCRIPTION
NAME	NO.				
DDC_DIN_A11_DPP	A23	LVDS_25_PI	-	DDC_DCLK_A	100-Ω external LVDS termination required.
DDC_DIN_A12_DPN	C23	LVDS_25_NI	-	DDC_DCLK_A	Input Bus A Data bit 12. 100-Ω external LVDS termination required.
DDC_DIN_A12_DPP	B24	LVDS_25_PI	-	DDC_DCLK_A	
DDC_DIN_A13_DPN	C24	LVDS_25_NI	-	DDC_DCLK_A	Input Bus A Data bit 13. 100-Ω external LVDS termination required.
DDC_DIN_A13_DPP	D24	LVDS_25_PI	-	DDC_DCLK_A	
DDC_DIN_A14_DPN	A25	LVDS_25_NI	-	DDC_DCLK_A	Input Bus A Data bit 14. 100-Ω external LVDS termination required.
DDC_DIN_A14_DPP	B25	LVDS_25_PI	-	DDC_DCLK_A	
DDC_DIN_A15_DPN	C26	LVDS_25_NI	-	DDC_DCLK_A	Input Bus A Data bit 15. 100-Ω external LVDS termination required.
DDC_DIN_A15_DPP	B26	LVDS_25_PI	-	DDC_DCLK_A	
DDC_DIN_B0_DPN	A12	LVDS_25_NI	-	DDC_DCLK_B	Input Bus B Data bit 0. 100-Ω external LVDS termination required.
DDC_DIN_B0_DPP	A13	LVDS_25_PI	-	DDC_DCLK_B	
DDC_DIN_B1_DPN	B12	LVDS_25_NI	-	DDC_DCLK_B	Input Bus B Data bit 1. 100-Ω external LVDS termination required.
DDC_DIN_B1_DPP	C13	LVDS_25_PI	-	DDC_DCLK_B	
DDC_DIN_B2_DPN	D10	LVDS_25_NI	-	DDC_DCLK_B	Input Bus B Data bit 2. 100-Ω external LVDS termination required.
DDC_DIN_B2_DPP	D11	LVDS_25_PI	-	DDC_DCLK_B	
DDC_DIN_B3_DPN	C12	LVDS_25_NI	-	DDC_DCLK_B	Input Bus B Data bit 3. 100-Ω external LVDS termination required.
DDC_DIN_B3_DPP	C11	LVDS_25_PI	-	DDC_DCLK_B	
DDC_DIN_B4_DPN	A10	LVDS_25_NI	-	DDC_DCLK_B	Input Bus B Data bit 4. 100-Ω external LVDS termination required.
DDC_DIN_B4_DPP	B11	LVDS_25_PI	-	DDC_DCLK_B	
DDC_DIN_B5_DPN	D9	LVDS_25_NI	-	DDC_DCLK_B	Input Bus B Data bit 5. 100-Ω external LVDS termination required.
DDC_DIN_B5_DPP	C9	LVDS_25_PI	-	DDC_DCLK_B	
DDC_DIN_B6_DPN	B10	LVDS_25_NI	-	DDC_DCLK_B	Input Bus B Data bit 6. 100-Ω external LVDS termination required.
DDC_DIN_B6_DPP	B9	LVDS_25_PI	-	DDC_DCLK_B	
DDC_DIN_B7_DPN	A8	LVDS_25_NI	-	DDC_DCLK_B	Input Bus B Data bit 7. 100-Ω external LVDS termination required.
DDC_DIN_B7_DPP	A9	LVDS_25_PI	-	DDC_DCLK_B	
DDC_DIN_B8_DPN	D6	LVDS_25_NI	-	DDC_DCLK_B	Input Bus B Data bit 8. 100-Ω external LVDS termination required.
DDC_DIN_B8_DPP	D5	LVDS_25_PI	-	DDC_DCLK_B	
DDC_DIN_B9_DPN	C7	LVDS_25_NI	-	DDC_DCLK_B	Input Bus B Data bit 9. 100-Ω external LVDS termination required.
DDC_DIN_B9_DPP	C6	LVDS_25_PI	-	DDC_DCLK_B	
DDC_DIN_B10_DPN	B6	LVDS_25_NI	-	DDC_DCLK_B	Input Bus B Data bit 10. 100-Ω external LVDS termination required.
DDC_DIN_B10_DPP	B5	LVDS_25_PI	-	DDC_DCLK_B	
DDC_DIN_B11_DPN	D4	LVDS_25_NI	-	DDC_DCLK_B	Input Bus B Data bit 11. 100-Ω external LVDS termination required.
DDC_DIN_B11_DPP	D3	LVDS_25_PI	-	DDC_DCLK_B	
DDC_DIN_B12_DPN	B4	LVDS_25_NI	-	DDC_DCLK_B	Input Bus B Data bit 12. 100-Ω external LVDS termination required.
DDC_DIN_B12_DPP	C4	LVDS_25_PI	-	DDC_DCLK_B	
DDC_DIN_B13_DPN	C3	LVDS_25_NI	-	DDC_DCLK_B	Input Bus B Data bit 13. 100-Ω external LVDS termination required.
DDC_DIN_B13_DPP	C2	LVDS_25_PI	-	DDC_DCLK_B	
DDC_DIN_B14_DPN	A3	LVDS_25_NI	-	DDC_DCLK_B	Input Bus B Data bit 14. 100-Ω external LVDS termination required.
DDC_DIN_B14_DPP	A2	LVDS_25_PI	-	DDC_DCLK_B	
DDC_DIN_B15_DPN	B2	LVDS_25_NI	-	DDC_DCLK_B	Input Bus B Data bit 15. 100-Ω external LVDS termination required.
DDC_DIN_B15_DPP	B1	LVDS_25_PI	-	DDC_DCLK_B	
DDC_DIN_C0_DPN	E20	LVDS_25_NI	-	DDC_DCLK_C	Input Bus C Data bit 0. 100-Ω external LVDS termination required.
DDC_DIN_C0_DPP	E21	LVDS_25_PI	-	DDC_DCLK_C	
DDC_DIN_C1_DPN	F20	LVDS_25_NI	-	DDC_DCLK_C	Input Bus C Data bit 1. 100-Ω external LVDS termination required.
DDC_DIN_C1_DPP	G20	LVDS_25_PI	-	DDC_DCLK_C	
DDC_DIN_C2_DPN	H19	LVDS_25_NI	-	DDC_DCLK_C	Input Bus C Data bit 2. 100-Ω external LVDS termination required.
DDC_DIN_C2_DPP	J19	LVDS_25_PI	-	DDC_DCLK_C	
DDC_DIN_C3_DPN	E23	LVDS_25_NI	-	DDC_DCLK_C	Input Bus C Data bit 3.

DLPC910

DLPS064D – SEPTEMBER 2015 – REVISED SEPTEMBER 2020

PIN		I/O TYPE	ACTIVE (HI OR LO)	CLOCK SYSTEM	DESCRIPTION
NAME	NO.				
DDC_DIN_C3_DPP	E22	LVDS_25_PI	-	DDC_DCLK_C	100-Ω external LVDS termination required.
DDC_DIN_C4_DPN	F23	LVDS_25_NI	-	DDC_DCLK_C	Input Bus C Data bit 4. 100-Ω external LVDS termination required.
DDC_DIN_C4_DPP	F22	LVDS_25_PI	-	DDC_DCLK_C	
DDC_DIN_C5_DPN	G22	LVDS_25_NI	-	DDC_DCLK_C	Input Bus C Data bit 5. 100-Ω external LVDS termination required.
DDC_DIN_C5_DPP	G21	LVDS_25_PI	-	DDC_DCLK_C	
DDC_DIN_C6_DPN	J20	LVDS_25_NI	-	DDC_DCLK_C	Input Bus C Data bit 6. 100-Ω external LVDS termination required.
DDC_DIN_C6_DPP	J21	LVDS_25_PI	-	DDC_DCLK_C	
DDC_DIN_C7_DPN	H22	LVDS_25_NI	-	DDC_DCLK_C	Input Bus C Data bit 7. 100-Ω external LVDS termination required.
DDC_DIN_C7_DPP	H21	LVDS_25_PI	-	DDC_DCLK_C	
DDC_DIN_C8_DPN	J23	LVDS_25_NI	-	DDC_DCLK_C	Input Bus C Data bit 8. 100-Ω external LVDS termination required.
DDC_DIN_C8_DPP	H23	LVDS_25_PI	-	DDC_DCLK_C	
DDC_DIN_C9_DPN	K22	LVDS_25_NI	-	DDC_DCLK_C	Input Bus C Data bit 9. 100-Ω external LVDS termination required.
DDC_DIN_C9_DPP	K23	LVDS_25_PI	-	DDC_DCLK_C	
DDC_DIN_C10_DPN	M19	LVDS_25_NI	-	DDC_DCLK_C	Input Bus C Data bit 10. 100-Ω external LVDS termination required.
DDC_DIN_C10_DPP	M20	LVDS_25_PI	-	DDC_DCLK_C	
DDC_DIN_C11_DPN	M21	LVDS_25_NI	-	DDC_DCLK_C	Input Bus C Data bit 11. 100-Ω external LVDS termination required.
DDC_DIN_C11_DPP	M22	LVDS_25_PI	-	DDC_DCLK_C	
DDC_DIN_C12_DPN	N19	LVDS_25_NI	-	DDC_DCLK_C	Input Bus C Data bit 12. 100-Ω external LVDS termination required.
DDC_DIN_C12_DPP	P19	LVDS_25_PI	-	DDC_DCLK_C	
DDC_DIN_C13_DPN	N21	LVDS_25_NI	-	DDC_DCLK_C	Input Bus C Data bit 13. 100-Ω external LVDS termination required.
DDC_DIN_C13_DPP	N22	LVDS_25_PI	-	DDC_DCLK_C	
DDC_DIN_C14_DPN	P20	LVDS_25_NI	-	DDC_DCLK_C	Input Bus C Data bit 14. 100-Ω external LVDS termination required.
DDC_DIN_C14_DPP	P21	LVDS_25_PI	-	DDC_DCLK_C	
DDC_DIN_C15_DPN	N23	LVDS_25_NI	-	DDC_DCLK_C	Input Bus C Data bit 15. 100-Ω external LVDS termination required.
DDC_DIN_C15_DPP	P23	LVDS_25_PI	-	DDC_DCLK_C	
DDC_DIN_D0_DPN	T3	LVDS_25_NI	-	DDC_DCLK_D	Input Bus D Data bit 0. 100-Ω external LVDS termination required.
DDC_DIN_D0_DPP	R3	LVDS_25_PI	-	DDC_DCLK_D	
DDC_DIN_D1_DPN	R5	LVDS_25_NI	-	DDC_DCLK_D	Input Bus D Data bit 1. 100-Ω external LVDS termination required.
DDC_DIN_D1_DPP	R6	LVDS_25_PI	-	DDC_DCLK_D	
DDC_DIN_D2_DPN	R7	LVDS_25_NI	-	DDC_DCLK_D	Input Bus D Data bit 2. 100-Ω external LVDS termination required.
DDC_DIN_D2_DPP	P6	LVDS_25_PI	-	DDC_DCLK_D	
DDC_DIN_D3_DPN	N3	LVDS_25_NI	-	DDC_DCLK_D	Input Bus D Data bit 3. 100-Ω external LVDS termination required.
DDC_DIN_D3_DPP	P3	LVDS_25_PI	-	DDC_DCLK_D	
DDC_DIN_D4_DPN	P4	LVDS_25_NI	-	DDC_DCLK_D	Input Bus D Data bit 4. 100-Ω external LVDS termination required.
DDC_DIN_D4_DPP	P5	LVDS_25_PI	-	DDC_DCLK_D	
DDC_DIN_D5_DPN	N6	LVDS_25_NI	-	DDC_DCLK_D	Input Bus D Data bit 5. 100-Ω external LVDS termination required.
DDC_DIN_D5_DPP	N7	LVDS_25_PI	-	DDC_DCLK_D	
DDC_DIN_D6_DPN	N4	LVDS_25_NI	-	DDC_DCLK_D	Input Bus D Data bit 6. 100-Ω external LVDS termination required.
DDC_DIN_D6_DPP	M4	LVDS_25_PI	-	DDC_DCLK_D	
DDC_DIN_D7_DPN	M7	LVDS_25_NI	-	DDC_DCLK_D	Input Bus D Data bit 7. 100-Ω external LVDS termination required.
DDC_DIN_D7_DPP	L7	LVDS_25_PI	-	DDC_DCLK_D	
DDC_DIN_D8_DPN	K7	LVDS_25_NI	-	DDC_DCLK_D	Input Bus D Data bit 8. 100-Ω external LVDS termination required.
DDC_DIN_D8_DPP	K6	LVDS_25_PI	-	DDC_DCLK_D	
DDC_DIN_D9_DPN	J4	LVDS_25_NI	-	DDC_DCLK_D	Input Bus D Data bit 9. 100-Ω external LVDS termination required.
DDC_DIN_D9_DPP	J5	LVDS_25_PI	-	DDC_DCLK_D	
DDC_DIN_D10_DPN	H7	LVDS_25_NI	-	DDC_DCLK_D	Input Bus D Data bit 10. 100-Ω external LVDS termination required.
DDC_DIN_D10_DPP	J6	LVDS_25_PI	-	DDC_DCLK_D	
DDC_DIN_D11_DPN	G4	LVDS_25_NI	-	DDC_DCLK_D	Input Bus D Data bit 11. 100-Ω external LVDS termination required.
DDC_DIN_D11_DPP	H4	LVDS_25_PI	-	DDC_DCLK_D	

PIN		I/O TYPE	ACTIVE (HI OR LO)	CLOCK SYSTEM	DESCRIPTION
NAME	NO.				
DDC_DIN_D12_DPN	G5	LVDS_25_NI	-	DDC_DCLK_D	Input Bus D Data bit 12. 100-Ω external LVDS termination required.
DDC_DIN_D12_DPP	H6	LVDS_25_PI	-	DDC_DCLK_D	
DDC_DIN_D13_DPN	G7	LVDS_25_NI	-	DDC_DCLK_D	Input Bus D Data bit 13. 100-Ω external LVDS termination required.
DDC_DIN_D13_DPP	G6	LVDS_25_PI	-	DDC_DCLK_D	
DDC_DIN_D14_DPN	F4	LVDS_25_NI	-	DDC_DCLK_D	Input Bus D Data bit 14. 100-Ω external LVDS termination required.
DDC_DIN_D14_DPP	F5	LVDS_25_PI	-	DDC_DCLK_D	
DDC_DIN_D15_DPN	E5	LVDS_25_NI	-	DDC_DCLK_D	Input Bus D Data bit 15. 100-Ω external LVDS termination required.
DDC_DIN_D15_DPP	E6	LVDS_25_PI	-	DDC_DCLK_D	
DDC_DOUT_A0_DPN	AE2	LVDS_25_NO	-	DDC_DCLKOUT_A	Output Bus A Data bit 0 to DMD.
DDC_DOUT_A0_DPP	AF2	LVDS_25_PO	-	DDC_DCLKOUT_A	
DDC_DOUT_A1_DPN	AD1	LVDS_25_NO	-	DDC_DCLKOUT_A	Output Bus A Data bit 1 to DMD.
DDC_DOUT_A1_DPP	AE1	LVDS_25_PO	-	DDC_DCLKOUT_A	
DDC_DOUT_A2_DPN	AC1	LVDS_25_NO	-	DDC_DCLKOUT_A	Output Bus A Data bit 2 to DMD.
DDC_DOUT_A2_DPP	AC2	LVDS_25_PO	-	DDC_DCLKOUT_A	
DDC_DOUT_A3_DPN	AB1	LVDS_25_NO	-	DDC_DCLKOUT_A	Output Bus A Data bit 3 to DMD.
DDC_DOUT_A3_DPP	AB2	LVDS_25_PO	-	DDC_DCLKOUT_A	
DDC_DOUT_A4_DPN	Y2	LVDS_25_NO	-	DDC_DCLKOUT_A	Output Bus A Data bit 4 to DMD.
DDC_DOUT_A4_DPP	AA2	LVDS_25_PO	-	DDC_DCLKOUT_A	
DDC_DOUT_A5_DPN	W1	LVDS_25_NO	-	DDC_DCLKOUT_A	Output Bus A Data bit 5 to DMD.
DDC_DOUT_A5_DPP	Y1	LVDS_25_PO	-	DDC_DCLKOUT_A	
DDC_DOUT_A6_DPN	V1	LVDS_25_NO	-	DDC_DCLKOUT_A	Output Bus A Data bit 6 to DMD.
DDC_DOUT_A6_DPP	V2	LVDS_25_PO	-	DDC_DCLKOUT_A	
DDC_DOUT_A7_DPN	U1	LVDS_25_NO	-	DDC_DCLKOUT_A	Output Bus A Data bit 7 to DMD.
DDC_DOUT_A7_DPP	U2	LVDS_25_PO	-	DDC_DCLKOUT_A	
DDC_DOUT_A8_DPN	R2	LVDS_25_NO	-	DDC_DCLKOUT_A	Output Bus A Data bit 8 to DMD.
DDC_DOUT_A8_DPP	T2	LVDS_25_PO	-	DDC_DCLKOUT_A	
DDC_DOUT_A9_DPN	N2	LVDS_25_NO	-	DDC_DCLKOUT_A	Output Bus A Data bit 9 to DMD.
DDC_DOUT_A9_DPP	M2	LVDS_25_PO	-	DDC_DCLKOUT_A	
DDC_DOUT_A10_DPN	K1	LVDS_25_NO	-	DDC_DCLKOUT_A	Output Bus A Data bit 10 to DMD.
DDC_DOUT_A10_DPP	L2	LVDS_25_PO	-	DDC_DCLKOUT_A	
DDC_DOUT_A11_DPN	K2	LVDS_25_NO	-	DDC_DCLKOUT_A	Output Bus A Data bit 11 to DMD.
DDC_DOUT_A11_DPP	K3	LVDS_25_PO	-	DDC_DCLKOUT_A	
DDC_DOUT_A12_DPN	J3	LVDS_25_NO	-	DDC_DCLKOUT_A	Output Bus A Data bit 12 to DMD.
DDC_DOUT_A12_DPP	H3	LVDS_25_PO	-	DDC_DCLKOUT_A	
DDC_DOUT_A13_DPN	H2	LVDS_25_NO	-	DDC_DCLKOUT_A	Output Bus A Data bit 13 to DMD.
DDC_DOUT_A13_DPP	J1	LVDS_25_PO	-	DDC_DCLKOUT_A	
DDC_DOUT_A14_DPN	H1	LVDS_25_NO	-	DDC_DCLKOUT_A	Output Bus A Data bit 14 to DMD.
DDC_DOUT_A14_DPP	G1	LVDS_25_PO	-	DDC_DCLKOUT_A	
DDC_DOUT_A15_DPN	G2	LVDS_25_NO	-	DDC_DCLKOUT_A	Output Bus A Data bit 15 to DMD.
DDC_DOUT_A15_DPP	F2	LVDS_25_PO	-	DDC_DCLKOUT_A	
DDC_DOUT_B0_DPN	AE5	LVDS_25_NO	-	DDC_DCLKOUT_B	Output Bus B Data bit 0 to DMD.
DDC_DOUT_B0_DPP	AE6	LVDS_25_PO	-	DDC_DCLKOUT_B	
DDC_DOUT_B1_DPN	AD3	LVDS_25_NO	-	DDC_DCLKOUT_B	Output Bus B Data bit 1 to DMD.
DDC_DOUT_B1_DPP	AD4	LVDS_25_PO	-	DDC_DCLKOUT_B	
DDC_DOUT_B2_DPN	AD5	LVDS_25_NO	-	DDC_DCLKOUT_B	Output Bus B Data bit 2 to DMD.
DDC_DOUT_B2_DPP	AD6	LVDS_25_PO	-	DDC_DCLKOUT_B	
DDC_DOUT_B3_DPN	AC3	LVDS_25_NO	-	DDC_DCLKOUT_B	Output Bus B Data bit 3 to DMD.
DDC_DOUT_B3_DPP	AC4	LVDS_25_PO	-	DDC_DCLKOUT_B	
DDC_DOUT_B4_DPN	AB5	LVDS_25_NO	-	DDC_DCLKOUT_B	Output Bus B Data bit 4 to DMD.
DDC_DOUT_B4_DPP	AB6	LVDS_25_PO	-	DDC_DCLKOUT_B	
DDC_DOUT_B5_DPN	AB7	LVDS_25_NO	-	DDC_DCLKOUT_B	Output Bus B Data bit 5 to DMD.
DDC_DOUT_B5_DPP	AC6	LVDS_25_PO	-	DDC_DCLKOUT_B	
DDC_DOUT_B6_DPN	AA5	LVDS_25_NO	-	DDC_DCLKOUT_B	Output Bus B Data bit 6 to DMD.
DDC_DOUT_B6_DPP	AA4	LVDS_25_PO	-	DDC_DCLKOUT_B	

DLPC910

DLPS064D – SEPTEMBER 2015 – REVISED SEPTEMBER 2020

PIN		I/O TYPE	ACTIVE (HI OR LO)	CLOCK SYSTEM	DESCRIPTION
NAME	NO.				
DDC_DOUT_B7_DPN	AA7	LVDS_25_NO	-	DDC_DCLKOUT_B	Output Bus B Data bit 7 to DMD.
DDC_DOUT_B7_DPP	Y7	LVDS_25_PO	-	DDC_DCLKOUT_B	
DDC_DOUT_B8_DPN	Y3	LVDS_25_NO	-	DDC_DCLKOUT_B	Output Bus B Data bit 8 to DMD.
DDC_DOUT_B8_DPP	W3	LVDS_25_PO	-	DDC_DCLKOUT_B	
DDC_DOUT_B9_DPN	W4	LVDS_25_NO	-	DDC_DCLKOUT_B	Output Bus B Data bit 9 to DMD.
DDC_DOUT_B9_DPP	V4	LVDS_25_PO	-	DDC_DCLKOUT_B	
DDC_DOUT_B10_DPN	W6	LVDS_25_NO	-	DDC_DCLKOUT_B	Output Bus B Data bit 10 to DMD.
DDC_DOUT_B10_DPP	W5	LVDS_25_PO	-	DDC_DCLKOUT_B	
DDC_DOUT_B11_DPN	V7	LVDS_25_NO	-	DDC_DCLKOUT_B	Output Bus B Data bit 11 to DMD.
DDC_DOUT_B11_DPP	V6	LVDS_25_PO	-	DDC_DCLKOUT_B	
DDC_DOUT_B12_DPN	U4	LVDS_25_NO	-	DDC_DCLKOUT_B	Output Bus B Data bit 12 to DMD.
DDC_DOUT_B12_DPP	V3	LVDS_25_PO	-	DDC_DCLKOUT_B	
DDC_DOUT_B13_DPN	T4	LVDS_25_NO	-	DDC_DCLKOUT_B	Output Bus B Data bit 13 to DMD.
DDC_DOUT_B13_DPP	T5	LVDS_25_PO	-	DDC_DCLKOUT_B	
DDC_DOUT_B14_DPN	U6	LVDS_25_NO	-	DDC_DCLKOUT_B	Output Bus B Data bit 14 to DMD.
DDC_DOUT_B14_DPP	U5	LVDS_25_PO	-	DDC_DCLKOUT_B	
DDC_DOUT_B15_DPN	U7	LVDS_25_NO	-	DDC_DCLKOUT_B	Output Bus B Data bit 15 to DMD.
DDC_DOUT_B15_DPP	T7	LVDS_25_PO	-	DDC_DCLKOUT_B	
DDC_DOUT_C0_DPN	T22	LVDS_25_NO	-	DDC_DCLKOUT_C	Output Bus C Data bit 0 to DMD.
DDC_DOUT_C0_DPP	T23	LVDS_25_PO	-	DDC_DCLKOUT_C	
DDC_DOUT_C1_DPN	R20	LVDS_25_NO	-	DDC_DCLKOUT_C	Output Bus C Data bit 1 to DMD.
DDC_DOUT_C1_DPP	R21	LVDS_25_PO	-	DDC_DCLKOUT_C	
DDC_DOUT_C2_DPN	T19	LVDS_25_NO	-	DDC_DCLKOUT_C	Output Bus C Data bit 2 to DMD.
DDC_DOUT_C2_DPP	T20	LVDS_25_PO	-	DDC_DCLKOUT_C	
DDC_DOUT_C3_DPN	U21	LVDS_25_NO	-	DDC_DCLKOUT_C	Output Bus C Data bit 3 to DMD.
DDC_DOUT_C3_DPP	U22	LVDS_25_PO	-	DDC_DCLKOUT_C	
DDC_DOUT_C4_DPN	U20	LVDS_25_NO	-	DDC_DCLKOUT_C	Output Bus C Data bit 4 to DMD.
DDC_DOUT_C4_DPP	U19	LVDS_25_PO	-	DDC_DCLKOUT_C	
DDC_DOUT_C5_DPN	V23	LVDS_25_NO	-	DDC_DCLKOUT_C	Output Bus C Data bit 5 to DMD.
DDC_DOUT_C5_DPP	V24	LVDS_25_PO	-	DDC_DCLKOUT_C	
DDC_DOUT_C6_DPN	V22	LVDS_25_NO	-	DDC_DCLKOUT_C	Output Bus C Data bit 6 to DMD.
DDC_DOUT_C6_DPP	V21	LVDS_25_PO	-	DDC_DCLKOUT_C	
DDC_DOUT_C7_DPN	W19	LVDS_25_NO	-	DDC_DCLKOUT_C	Output Bus C Data bit 7 to DMD.
DDC_DOUT_C7_DPP	V19	LVDS_25_PO	-	DDC_DCLKOUT_C	
DDC_DOUT_C8_DPN	W23	LVDS_25_NO	-	DDC_DCLKOUT_C	Output Bus C Data bit 8 to DMD.
DDC_DOUT_C8_DPP	W24	LVDS_25_PO	-	DDC_DCLKOUT_C	
DDC_DOUT_C9_DPN	Y22	LVDS_25_NO	-	DDC_DCLKOUT_C	Output Bus C Data bit 9 to DMD.
DDC_DOUT_C9_DPP	Y23	LVDS_25_PO	-	DDC_DCLKOUT_C	
DDC_DOUT_C10_DPN	Y20	LVDS_25_NO	-	DDC_DCLKOUT_C	Output Bus C Data bit 10 to DMD.
DDC_DOUT_C10_DPP	Y21	LVDS_25_PO	-	DDC_DCLKOUT_C	
DDC_DOUT_C11_DPN	AA24	LVDS_25_NO	-	DDC_DCLKOUT_C	Output Bus C Data bit 11 to DMD.
DDC_DOUT_C11_DPP	AA23	LVDS_25_PO	-	DDC_DCLKOUT_C	
DDC_DOUT_C12_DPN	AA19	LVDS_25_NO	-	DDC_DCLKOUT_C	Output Bus C Data bit 12 to DMD.
DDC_DOUT_C12_DPP	AA20	LVDS_25_PO	-	DDC_DCLKOUT_C	
DDC_DOUT_C13_DPN	AC24	LVDS_25_NO	-	DDC_DCLKOUT_C	Output Bus C Data bit 13 to DMD.
DDC_DOUT_C13_DPP	AB24	LVDS_25_PO	-	DDC_DCLKOUT_C	
DDC_DOUT_C14_DPN	AC19	LVDS_25_NO	-	DDC_DCLKOUT_C	Output Bus C Data bit 14 to DMD.
DDC_DOUT_C14_DPP	AD19	LVDS_25_PO	-	DDC_DCLKOUT_C	
DDC_DOUT_C15_DPN	AC22	LVDS_25_NO	-	DDC_DCLKOUT_C	Output Bus C Data bit 15 to DMD.
DDC_DOUT_C15_DPP	AC23	LVDS_25_PO	-	DDC_DCLKOUT_C	
DDC_DOUT_D0_DPN	AB26	LVDS_25_NO	-	DDC_DCLKOUT_D	Output Bus D Data bit 0 to DMD.
DDC_DOUT_D0_DPP	AC26	LVDS_25_PO	-	DDC_DCLKOUT_D	
DDC_DOUT_D1_DPN	AA25	LVDS_25_NO	-	DDC_DCLKOUT_D	Output Bus D Data bit 1 to DMD.
DDC_DOUT_D1_DPP	AB25	LVDS_25_PO	-	DDC_DCLKOUT_D	
DDC_DOUT_D2_DPN	Y26	LVDS_25_NO	-	DDC_DCLKOUT_D	Output Bus D Data bit 2 to DMD.

PIN		I/O TYPE	ACTIVE (HI OR LO)	CLOCK SYSTEM	DESCRIPTION
NAME	NO.				
DDC_DOUT_D2_DPP	Y25	LVDS_25_PO	-	DDC_DCLKOUT_D	Output Bus D Data bit 3 to DMD.
DDC_DOUT_D3_DPN	W26	LVDS_25_NO	-	DDC_DCLKOUT_D	
DDC_DOUT_D3_DPP	W25	LVDS_25_PO	-	DDC_DCLKOUT_D	
DDC_DOUT_D4_DPN	U26	LVDS_25_NO	-	DDC_DCLKOUT_D	Output Bus D Data bit 4 to DMD.
DDC_DOUT_D4_DPP	V26	LVDS_25_PO	-	DDC_DCLKOUT_D	
DDC_DOUT_D5_DPN	U25	LVDS_25_NO	-	DDC_DCLKOUT_D	Output Bus D Data bit 5 to DMD.
DDC_DOUT_D5_DPP	U24	LVDS_25_PO	-	DDC_DCLKOUT_D	
DDC_DOUT_D6_DPN	T25	LVDS_25_NO	-	DDC_DCLKOUT_D	Output Bus D Data bit 6 to DMD.
DDC_DOUT_D6_DPP	T24	LVDS_25_PO	-	DDC_DCLKOUT_D	
DDC_DOUT_D7_DPN	R26	LVDS_25_NO	-	DDC_DCLKOUT_D	Output Bus D Data bit 7 to DMD.
DDC_DOUT_D7_DPP	R25	LVDS_25_PO	-	DDC_DCLKOUT_D	
DDC_DOUT_D8_DPN	P24	LVDS_25_NO	-	DDC_DCLKOUT_D	Output Bus D Data bit 8 to DMD.
DDC_DOUT_D8_DPP	P25	LVDS_25_PO	-	DDC_DCLKOUT_D	
DDC_DOUT_D9_DPN	N24	LVDS_25_NO	-	DDC_DCLKOUT_D	Output Bus D Data bit 9 to DMD.
DDC_DOUT_D9_DPP	M24	LVDS_25_PO	-	DDC_DCLKOUT_D	
DDC_DOUT_D10_DPN	L25	LVDS_25_NO	-	DDC_DCLKOUT_D	Output Bus D Data bit 10 to DMD.
DDC_DOUT_D10_DPP	L24	LVDS_25_PO	-	DDC_DCLKOUT_D	
DDC_DOUT_D11_DPN	K26	LVDS_25_NO	-	DDC_DCLKOUT_D	Output Bus D Data bit 11 to DMD.
DDC_DOUT_D11_DPP	K25	LVDS_25_PO	-	DDC_DCLKOUT_D	
DDC_DOUT_D12_DPN	J26	LVDS_25_NO	-	DDC_DCLKOUT_D	Output Bus D Data bit 12 to DMD.
DDC_DOUT_D12_DPP	J25	LVDS_25_PO	-	DDC_DCLKOUT_D	
DDC_DOUT_D13_DPN	J24	LVDS_25_NO	-	DDC_DCLKOUT_D	Output Bus D Data bit 13 to DMD.
DDC_DOUT_D13_DPP	H24	LVDS_25_PO	-	DDC_DCLKOUT_D	
DDC_DOUT_D14_DPN	H26	LVDS_25_NO	-	DDC_DCLKOUT_D	Output Bus D Data bit 14 to DMD.
DDC_DOUT_D14_DPP	G26	LVDS_25_PO	-	DDC_DCLKOUT_D	
DDC_DOUT_D15_DPN	G25	LVDS_25_NO	-	DDC_DCLKOUT_D	Output Bus D Data bit 15 to DMD.
DDC_DOUT_D15_DPP	G24	LVDS_25_PO	-	DDC_DCLKOUT_D	
DDC_SCTRL_AN	R1	LVDS_25_NO	-	DDC_DCLKOUT_A	Output Bus A Serial Control to DMD.
DDC_SCTRL_AP	P1	LVDS_25_PO	-	DDC_DCLKOUT_A	
DDC_SCTRL_BN	AA3	LVDS_25_NO	-	DDC_DCLKOUT_B	Output Bus B Serial Control to DMD.
DDC_SCTRL_BP	AB4	LVDS_25_PO	-	DDC_DCLKOUT_B	
DDC_SCTRL_CN	W20	LVDS_25_NO	-	DDC_DCLKOUT_C	Output Bus C Serial Control to DMD.
DDC_SCTRL_CP	W21	LVDS_25_PO	-	DDC_DCLKOUT_C	
DDC_SCTRL_DN	N26	LVDS_25_NO	-	DDC_DCLKOUT_D	Output Bus D Serial Control to DMD.
DDC_SCTRL_DP	P26	LVDS_25_PO	-	DDC_DCLKOUT_D	
DVALID_A_DPN	D20	LVDS_25_NI	-	DDC_DCLK_A	Input Bus A Data Valid Signal. 100-Ω external LVDS termination required.
DVALID_A_DPP	D21	LVDS_25_PI	-	DDC_DCLK_A	
DVALID_B_DPN	C8	LVDS_25_NI	-	DDC_DCLK_B	Input Bus B Data Valid Signal. 100-Ω external LVDS termination required.
DVALID_B_DPP	D8	LVDS_25_PI	-	DDC_DCLK_B	
DVALID_C_DPN	L19	LVDS_25_NI	-	DDC_DCLK_C	Input Bus C Data Valid Signal. 100-Ω external LVDS termination required.
DVALID_C_DPP	L20	LVDS_25_PI	-	DDC_DCLK_C	
DVALID_D_DPN	L3	LVDS_25_NI	-	DDC_DCLK_D	Input Bus D Data Valid Signal. 100-Ω external LVDS termination required.
DVALID_D_DPP	L4	LVDS_25_PI	-	DDC_DCLK_D	
DDC_VERSION_0	F18	LVCOS25_O	Hi	-	DLPC910 Firmware Rev Number bit 0
DDC_VERSION_1	G17	LVCOS25_O	Hi	-	DLPC910 Firmware Rev Number bit 1
DDC_VERSION_2	H18	LVCOS25_O	Hi	-	DLPC910 Firmware Rev Number bit 2
SPEED_SEL_0	H8	LVCOS25_I	Hi	-	SPEED_SEL[1:0] = 00 400MHz = 01 480MHz = 10, 11 Reserved Includes internal pull- ups. SPEED_SEL[1:0] must be set to 00 when connecting the DLPC910 with a DLP6500.
SPEED_SEL_1	H9	LVCOS25_I	Hi	-	
VSP_ENABLE	E8	LVCOS25_I	Hi	-	Reserved. Do not connect. Includes internal pull-up.
ECP2_FINISHED	E25	LVCOS25_O	Hi	-	DLPC910 Initialization complete. Connected to LED.

DLPC910

DLPS064D – SEPTEMBER 2015 – REVISED SEPTEMBER 2020

PIN		I/O TYPE	ACTIVE (HI OR LO)	CLOCK SYSTEM	DESCRIPTION
NAME	NO.				
VLED0	AA17	LVC MOS25_O	Hi = On	-	Power Indicator LED Output.
VLED1	AB17	LVC MOS25_O	Hi = On	-	Heartbeat Indicator LED Output.
WDT_ENBLZ	F25	LVC MOS25_I	Lo	-	DMD Reset Pulse Watchdog Timer Enable
PWR_FLOAT	G9	LVC MOS25_I	Hi	-	Park DMD mirrors.
NS_FLIP	F19	LVC MOS25_I	Hi	-	Top/Bottom image flip on DMD
COMP_DATA	G19	LVC MOS25_I	Hi	DDC_DCLK_[A,B,C,D]	Compliment Data (0 <-> 1)
INIT_ACTIVE	E26	LVC MOS25_O	Hi	-	DLPC910 Initialization Routine Active
RST_ACTIVE	G10	LVC MOS25_O	Hi	-	DMD Mirror Clocking Pulse in progress
RST2BLKZ	E18	LVC MOS25_I	Hi	-	Dual and Quad Block control
TST_PT_0	Y12	LVC MOS33_O	-	-	No connect. For access to test point output route to test via.
TST_PT_1	AA12	LVC MOS33_O	-	-	No connect. For access to test point output route to test via.
TST_PT_2	Y13	LVC MOS33_O	-	-	No connect. For access to test point output route to test via.
TST_PT_3	AA13	LVC MOS33_O	-	-	No connect. For access to test point output route to test via.
TST_PT_4	AA14	LVC MOS33_O	-	-	No connect. For access to test point output route to test via.
TST_PT_5	AB14	LVC MOS33_O	-	-	No connect. For access to test point output route to test via.
TST_PT_6	AA15	LVC MOS33_O	-	-	No connect. For access to test point output route to test via.
TST_PT_7	AB15	LVC MOS33_O	-	-	No connect. For access to test point output route to test via.
TST_PT_8	C1	LVC MOS25_O	-	-	No connect. For access to test point output route to test via.
TST_PT_9	D1	LVC MOS25_O	-	-	No connect. For access to test point output route to test via.
TST_PT_10	E1	LVC MOS25_O	-	-	No connect. For access to test point output route to test via.
TST_PT_11	E2	LVC MOS25_O	-	-	No connect. For access to test point output route to test via.
TST_PT_12	E3	LVC MOS25_O	-	-	No connect. For access to test point output route to test via.
TST_PT_13	F3	LVC MOS25_O	-	-	No connect. For access to test point output route to test via.
TST_PT_14	E7	LVC MOS25_O	-	-	No connect. For access to test point output route to test via.
TST_PT_15	F7	LVC MOS25_O	-	-	No connect. For access to test point output route to test via.
DLPC_VRN_BANK4	AB12	DCI Reference Voltage	-	-	Requires an external 49.9-Ω pull-up resistor to 3.3 V.
DLPC_VRP_BANK4	AC11	DCI Reference Voltage	-	-	Requires an external 49.9-Ω pull-down resistor to GND.
LOAD4_ENZ	D25	LVC MOS25_I	Lo	-	Signal enables the Load-4 functionality of the DMD. Includes internal pull-up.
DMD_IRQ	D26	LVC MOS25_O	Hi	-	Signal indicates a DMD voltage is inactive. Includes internal pull-up.
DLPC_VBATT	K18	LVC MOS33_I	-	-	DLPC910 VBATT reference. Connect to GND.
DLPC_DONE	K10	LVC MOS33_O	-	-	DLPC910 Initialization configuration complete. Connect to DLPR910 CEZ pin. Requires 4.7-kΩ pull-up to 3.3 V.
DLPC_HSWAPEN	L18	LVC MOS33_I	-	-	DLPC910 Configuration. Requires 4.7-kΩ pull-up to 3.3 V.
DDC_M0	W18	LVC MOS33_I	-	-	DLPC910 Configuration. Connect to GND
DDC_M1	Y17	LVC MOS33_I	-	-	DLPC910 Configuration. Connect to GND
DDC_M2	V18	LVC MOS33_I	-	-	DLPC910 Configuration. Connect to GND
INTB_DDC	J11	LVC MOS25_O	Hi	-	DLPC910 Configuration. Connect to DLPR910 OE/RESET. Requires 4.7-kΩ pull-up to 3.3 V.
PROGB_DDC	J18	LVC MOS25_O	Hi	-	DLPC910 Configuration. Connect to DLPR910 CF. Requires 4.7-kΩ pull-up to 3.3 V.

PIN		I/O TYPE	ACTIVE (HI OR LO)	CLOCK SYSTEM	DESCRIPTION
NAME	NO.				
PROM_CCK_DDC	J10	LVCNOS25_O	-	PROM_CCK_DDC	Configuration PROM Clock. Connect to DLPR910 CLK. Connects to center of voltage divider (100/100-Ω 3.3 V and GND).
PROM_D0_DDC	K11	LVCNOS25_I	-	PROM_CCK_DDC	Configuration PROM Data in. Connected to DLPR910 Data 0 (D0)
DLPC_DOUTBUSY	W11	LVCNOS25_I	-	-	Configuration PROM Busy. Connect to test via for debug only.
RDWR_B	P18	LVCNOS25_I	-	-	DLPC910 Configuration. Requires 1-kΩ pull-down to ground.
TCK_JTAG	U11	LVCNOS33_I	-	TCK_JTAG	JTAG Clock. Connects to DLPC910, DLPR910, and JTAG header TCK (if user has JTAG they must build their chain accordingly)
TDO_DDC	W10	LVCNOS33_O	-	TCK_JTAG	JTAG Data out of DLPC910. Connects to JTAG return TDO on JTAG header
TDO_XCF16DDC	V11	LVCNOS33_I	-	TCK_JTAG	JTAG Data out of DLPR910 to DLPC910. Connects to DLPR910 TDO (DLPC910 internal signal TDL_D)
TMS_JTAG	V12	LVCNOS33_I	Hi	TCK_JTAG	JTAG. Connects to DLPC910, DLPR910, and JTAG header TMS
VCCAUX	J8, K17, L8, M17, N8, P17, R8, T17, U8, V17, W8, W16	PWR	-	-	Aux Power. VCC_2P5V
VCCINT	H15, J12, J14, J16, K9, K13, K15, L10, L12, L14, L16, M9, M11, M15, N10, N12, N16, P9, P11, P15, R10, R12, R16, T9, T11, T13, T15, U10, U12, U14, U16, V9, V13, V15, W14, Y15	PWR	-	-	Power. VCC_1P0V
VCCO_0	Y9, W12	PWR	-	-	Power. VCC_3P3V
VCCO_2	AA16, AD17	PWR	-	-	
VCCO_4	AB13, AC10	PWR	-	-	
VCCO_1	C10, F11	PWR	-	-	Power. VCC_2P5V
VCCO_3	D17, E14	PWR	-	-	
VCCO_11	F21, H25, J22	PWR	-	-	
VCCO_12	H5, J2, L6	PWR	-	-	
VCCO_13	M23, N20, R24	PWR	-	-	
VCCO_14	R4, V5, W2	PWR	-	-	
VCCO_15	B23, C20, E24	PWR	-	-	
VCCO_16	D7, E4, G8	PWR	-	-	
VCCO_17	T21, V25, W22	PWR	-	-	
VCCO_18	AA6, AB3, AD7	PWR	-	-	
VCCO_21	AC20, AB23, AE24	PWR	-	-	
GND	A1, A6, A11, A16, A21, A26, AA1, AA11, AA21, AA26, AB8, AB18, AC5, AC15, AC25, AD2, AD12, AD22, AE4, AE9, AE14, AE19, AF1, AF6, AF11, AF16, AF21, AF26, B3, B8, B13, B18, C5, C15, C25, D2, D12, D22, E9, E19, F1, F6, F16, F26, G3, G13, G18, G23, H10, H20, J7, J9, J13, J15, J17, K4, K8, K12, K14, K16, K19, K24, L1, L9, L11, L13, L15, L17, L21, L26, M3, M8, M10, M12, M16, M18, N5, N9, N11, N15, N17, N25, P2, P7, P8, P10, P12, P16, P22, R9, R11, R15, R17, R19, T1, T6, T8, T10, T12, T14, T16, T26, U3, U9, U13, U15, U17, U18, U23, V8, V10, V14, V16, V20, W7, W9, W13, W15, W17, Y4, Y14, Y16, Y19, Y24, M13, M14, N13, N14, P13, P14, R13, R14, N18, R18, T18	GND	-	-	

DLPC910

DLPS064D – SEPTEMBER 2015 – REVISED SEPTEMBER 2020

PIN		I/O TYPE	ACTIVE (HI OR LO)	CLOCK SYSTEM	DESCRIPTION
NAME	NO.				
RESERVED_AC12	AC12	LVCMOS33_O	-	-	Route to via for access to pin output.
RESERVED_AD11	AD11	LVCMOS33_O	-	-	Route to via for access to pin output.
RESERVED_AA9	AA9	LVCMOS33_I	-	-	Includes internal pull-up
RESERVED_Y10	Y10	LVCMOS33_I	-	-	Includes internal pull-up
RESERVED_Y11	Y11	LVCMOS33_I	-	-	Includes internal pull-up
RESERVED_AB11	AB11	LVCMOS33_I	-	-	Includes internal pull-up
RESERVED_F10	F10	LVCMOS33_I	-	-	Includes internal pull-up
RESERVED_F8	F8	LVCMOS33_I	-	-	Includes internal pull-up
UNUSED	A4, A5, AA18, AB16, AB19, AB20, AB21, AC21, AD9, AD16, AD20, AD21, AD23, AD24, AD25, AD26, AE3, AE7, AE8, AE10, AE11, AE12, AE13, AE15, AE16, AE17, AE18, AE20, AE21, AE22, AE23, AE25, AE26, AF3, AF4, AF5, AF7, AF8, AF9, AF10, AF12, AF13, AF14, AF15, AF17, AF18, AF19, AF20, AF22, AF23, AF24, AF25, C22, D23, E11, F12, F24, L22, L23, M5, M6, R22, R23, Y18	NC	-	-	No Connection. Unused Pins.

6 Specifications

6.1 Absolute Maximum Ratings

See (1)

		MIN	MAX	UNIT	
ELECTRICAL					
V _{CCINT}	Supply voltage range (2)	-0.50	1.1	V	
V _{CCO}		-0.50	3.75		
V _{CCAUX}		-0.50	3.0		
V _I	Input voltage range (3)	3.3 V	-0.95	4.05	V
		2.5 V	-0.75	V _{CCO} + 0.50	
V _O	Output voltage range (4)	3.3 V	-0.30	V _{CCO} - 0.40	V
		2.5 V	-0.30	V _{CCO} - 0.40	
ENVIRONMENTAL					
T _J	Junction temperature		125	°C	
T _{stg}	Storage temperature (ambient)	-65	150	°C	

- (1) Stresses beyond those listed under *Absolute Maximum Ratings* may cause permanent damage to the device. These are stress ratings only, which do not imply functional operation of the device at these or any other conditions beyond those indicated under *Recommended Operating Conditions*. Exposure to absolute-maximum-rated conditions for extended periods may affect device reliability.
- (2) All voltage values are with respect to GND.
- (3) Applies to external input and bidirectional buffers.
- (4) Applies to external output and bidirectional buffers.

6.2 ESD Ratings

		VALUE	UNIT
V _(ESD)	Electrostatic discharge		
	Human body model (HBM), per ANSI/ESDA/JEDEC JS-001-2010, all pins (1)	+ 2000	V
Charged device model (CDM), per JEDEC specification JESD22-C101, all pins (2)	+ 400		

- (1) Level listed above is the passing level per ANSI, ESDA, and JEDEC JS-001-2010. JEDEC document JEP155 states that 500V HBM allows safe manufacturing with a standard ESD control process.
- (2) Level listed above is the passing level per EIA-JEDEC JESD22-C101. JEDEC document JEP157 states that 250-V CDM allows safe manufacturing with a standard ESD control process.

6.3 Recommended Operating Conditions

over operating free-air temperature range (unless otherwise noted)

		MIN	NOM	MAX	UNIT
ELECTRICAL					
V _{CCINT}	1-V supply voltage, core logic	0.95	1.00	1.05	V
V _{CCO}	2.5-V supply voltage, I/O for V _{CCO} _1,3,11,12,13,14,15,16,17,18,21	1.14	2.50	3.45	V
V _{CCO}	3.3-V supply voltage, I/O for V _{CCO} _0,2,4	3.0	3.30	3.45	V
V _{CCAUX}	2.5-V supply voltage, I/O	2.375	2.500	2.625	V
V _I	Input voltage	3.3-V DCI and CMOS for V _{CCO} _0,2,4		V _{CCO}	V
		2. 5-V CMOS for V _{CCO} _1,3,11,12,13,14,15,16,17,18,21	0	V _{CCO}	
		2.5-V LVDS	0.3	2.2	
V _O	Output voltage	3.3-V DCI and CMOS for V _{CCO} _0,2,4	0	V _{CCO}	V
		2.5-V CMOS for V _{CCO} _1,3,11,12,13,14,15,16,17,18,21	0	V _{CCO}	

DLPC910

DLPS064D – SEPTEMBER 2015 – REVISED SEPTEMBER 2020

over operating free-air temperature range (unless otherwise noted)

		MIN	NOM	MAX	UNIT
	2.5-V LVDS	0.825		1.675	
T _A	Operating ambient temperature	0		85	°C

ENVIRONMENTAL

P _D	Continuous total power dissipation			6	W
----------------	------------------------------------	--	--	---	---

6.4 Thermal Information

THERMAL METRIC ⁽¹⁾		DLPC910		UNIT
		ZYR (FCBGA)		
		676 PINS		
R _{θJA}	Junction-to-ambient thermal resistance ⁽²⁾	12.1		°C/W
R _{θJC}	Junction-to-case thermal resistance	3.2		°C/W
R _{θJB}	Junction-to-board thermal resistance	0.19		°C/W

(1) Refer to the XC5VLX30 product specifications at www.xilinx.com for complete thermal specifications.

(2) In still air.

6.5 Electrical Characteristics

over operating free-air temperature range (unless otherwise noted)

PARAMETER			MIN	TYP	MAX	UNIT	
V _{IH}	High-level input voltage	3.3-V CMOS	2.0			V	
V _{IL}	Low-level input voltage	3.3-V CMOS			0.8	V	
V _{OH}	High-level output voltage	3.3-V DCI and CMOS	2.9			V	
V _{OL}	Low-level output voltage	3.3-V DCI and CMOS			0.4	V	
V _{IH}	High-level input voltage	2.5-V CMOS	1.7			V	
V _{IL}	Low-level input voltage	2.5-V CMOS			0.7	V	
V _{OH}	High-level output voltage	2.5-V interface	V _{CCO} – 0.4			V	
		2.5-V LVDS			1.38		
V _{OL}	Low-level output voltage	2.5-V interface			0.4	V	
		2.5-V LVDS			1.03		
C _I	Input capacitance	2.5-V interface			8	pF	
		2.5-V LVDS			8		
I _{CCINT}	1V Supply voltage range, core supply				1430	2100	mA
I _{CCO} + I _{CCAUX}	2.5V Supply voltage range, I/O supply				1650	2300	mA
I _{CCO}	3.3V Supply voltage range, I/O supply				180		mA

6.6 Timing Requirements

 (see ⁽¹⁾)

				MIN	NOM	MAX	UNIT
f _{cd}	Clock frequency, DCLKIN_n ⁽²⁾			400		MHz	
				480			
f _{cr}	Clock frequency, CLK_R			50		MHz	
t _c	Cycle time, DCLKIN_n	f _{cd} = 400 MHz		2.5		ns	
		f _{cd} = 480 MHz		2.083			
t _{w(H)}	Pulse duration, high	50% to 50% reference points (signal)	f _{cd} = 400 MHz		1.25		ns
			f _{cd} = 480 MHz		1.042		

(see (1))

				MIN	NOM	MAX	UNIT
$t_{w(L)}$	Pulse duration, low	50% to 50% reference points (signal)	$f_{cd} = 400 \text{ MHz}$			1.25	ns
			$f_{cd} = 480 \text{ MHz}$			1.042	
t_t	Transition time, $t_t = t_f / t_r$	20% to 80% reference points (signal)	$f_{cd} = 400 \text{ MHz}$			0.6	ns
			$f_{cd} = 480 \text{ MHz}$			0.5	
t_{jp}	Period Jitter DCLKIN_n (3)				100		ps
t_{sk}	Skew, DIN_A(15-0) to DCLKIN_A				-100	100	ps
	Skew, DIN_B(15-0) to DCLKIN_B				-100	100	
	Skew, DIN_C(15-0) to DCLKIN_C				-100	100	
	Skew, DIN_D(15-0) to DCLKIN_D				-100	100	
	Skew, DVALID_n to DCLKIN_n↑				-100	100	
	Skew, BLKMD BLKAD to DCLKIN_n↑ (4)				-100	100	
	Skew, ROWMD or ROWAD to DCLKIN_n↑ (4)				-100	100	
	Skew, STEPVCC to DCLKIN↑ (4)				-100	100	

- (1) It is recommended that the COMP_DATA, NS_FLIP and RST2BLK flags be set to one value and not adjusted during normal system operation.
- (2) Preferred DDC_DCLK_n duty cycle = 50%
- (3) This is the deviation in period from ideal period due solely to high frequency jitter.
- (4) First edge of DDC_DIN*, ROW*, and BLK* should be synchronous to DVALID rising edge.

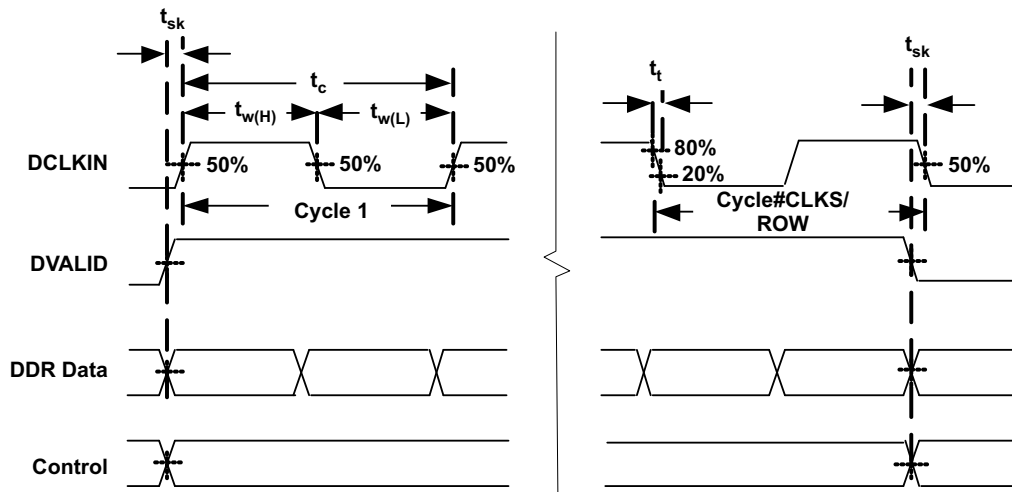


Figure 6-1. Input Interface Timing

Note

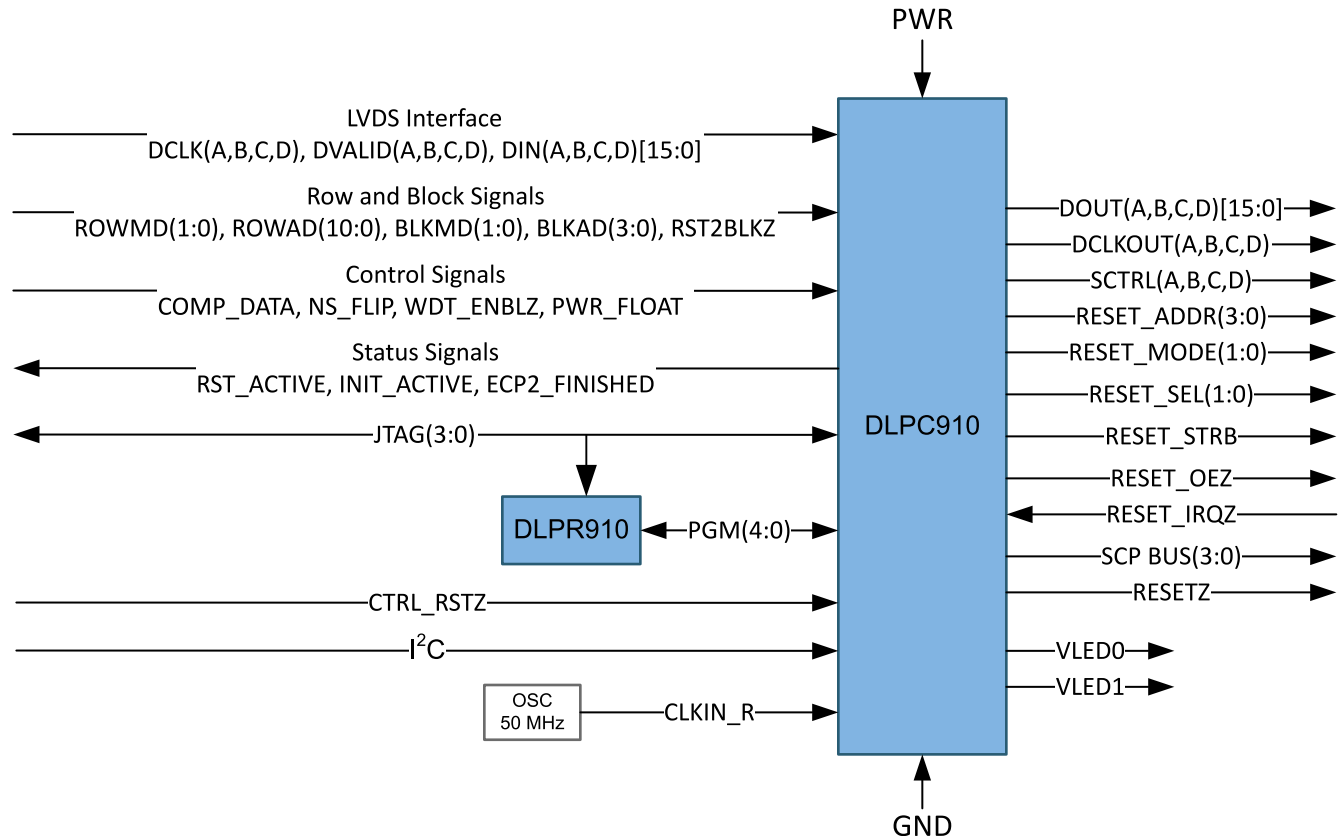
Dynamic changes to RST2BLK, NS_FLIP and COMP_DATA during normal operation are not recommended.

7 Detailed Description

7.1 Overview

The DLPC910 digital controller provides a reliable high speed data pipe to the DMD, where the digital input on the LVDS interface is configured for the required timing requirements of the DMD. The DMD reflects light by using 1-bit binary encoded patterns, where each mirror is a pixel-to-mirror mapping of the pattern.

7.2 Functional Block Diagram



7.3 Feature Description

7.3.1 Input LVDS Interface

The data input interface consists of four input data buses: DDC_DIN_A, DDC_DIN_B, DDC_DIN_C, and DDC_DIN_D. Each bus contains 16 differential pairs which are synchronous to the rising and falling edges of its associated DDC_DCLK signal.

7.3.2 Data Clock

The data clock interface consists of four differential pairs: DDC_DCLK_A, DDC_DCLK_B, DDC_DCLK_C, and DDC_DCLK_D. Each must operate continuously. All signals associated with the data clock should be synchronous to these signals. For example, DDC_DIN_A and DVALID_A should be synchronous to the rising edge of DDC_DCLK_A. This clock should be valid prior to releasing CTRL_RSTZ. DDC_DCLK is a DDR clock with data loaded on both rising and falling edges of DDC_DCLK. The jitter on this clock is specified in [Timing Requirements](#). **When connecting the DLPC910 with a DLP6500, SPEED_SEL[1:0] inputs must be set to "00".**

7.3.3 Data Valid

The data valid interface consists of four differential pairs: DVALID_A, DVALID_B, DVALID_C, and DVALID_D. The DVALID signal should be asserted synchronous to the data it is meant to frame. DVALID can be asserted as:

- Framing individual row loads with breaks between rows, or
- Framing block loads - for example, the DLP9000X/DLP9000XUV with 16 blocks allows framing 100 contiguous row loads, or
- Framing the entire DMD load where the DVALID stays active for all DMD row loads with zero invalid data between rows.

If the DVALID frames DMD blocks or the entire DMD, assure that the block and row control signals are adjusted at the proper locations in the data stream. Refer to [Block Mode Operation](#) for further information.

7.3.4 Interface Training

The DLPC910 detects the phase differences between the $\frac{1}{2}$ speed clock (used in the device driving the LVDS data) and the internally generated $\frac{1}{2}$ speed data clocks to select a clock phase for data capture. This is done by supplying a simple repeating pattern on all of the data inputs while the INIT_ACTIVE output of the DLPC910 is high/active. The details of the training pattern are described below.

Figure 7-1 shows a simple block diagram of the training pattern insertion logic.

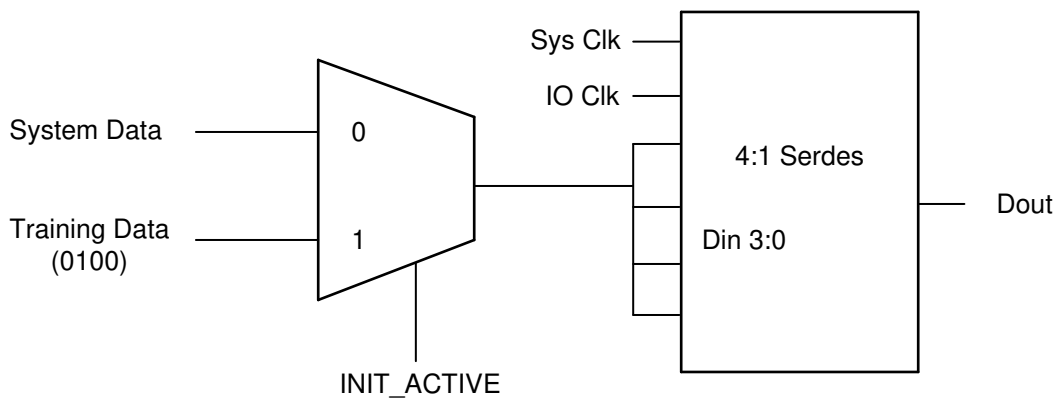


Figure 7-1. Block Diagram of Training Pattern Logic

The expected training pattern is 0100. In [Figure 7-2](#), the data input to the 4:1 SERDES cells is captured on the rising edge of the $\frac{1}{2}$ speed system clock. The output latency shown is based on the documentation for the Xilinx SERDES cells. Individual implementation may vary depending on the type of cells, technology, and design technique used.

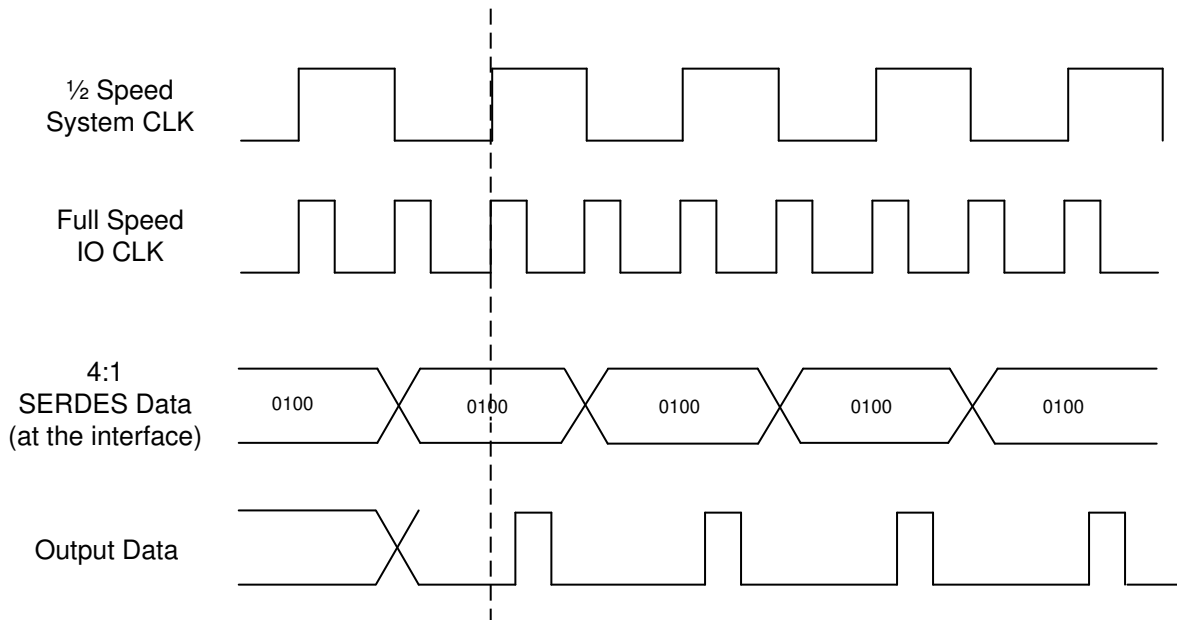


Figure 7-2. Training Pattern Alignment

Note

In Xilinx FPGAs (due to the construction of the ISERDES and OSERDES cells) a pattern of *0010* needs to be applied to the output/transmitting SERDES cells data pins (D1 = 0, D2 = 0, D3 = 1, D4 = 0) in order to receive a result of *0100* (Q1 = 0, Q2 = 1, Q3 = 0, Q4 = 0) at the input/receiving SERDES cell.

The patterns should be applied on all of the data and DVALID pins. In this respect, the interface is treated as a 17 bit interface with DVALID being the 17th data bit. The receiving logic in the DLPC910 adjusts the clock phase until the correct pattern is seen at the inputs. This allows DLPC910 to correctly select a clock phase for data capture and will contribute to a more robust interface. It is important that the training pattern is applied to the DVALID and data inputs of the DLPC910 before reset to the device is de-asserted, as training commences immediately on the de-assertion of reset. The INIT_ACTIVE signal is asserted while the device is held in reset in order to help facilitate this behavior.

7.3.5 Row and Block Interface

7.3.5.1 Row Mode

The DMD incorporates single row write operations using a row address counter that is randomly addressable. ROWMD(1:0) determines the single row write count mode and ROWAD(10:0) determines the single row write address. ROWMD and ROWAD must be asserted and de-asserted synchronously with DVALID. Row address orientation depends on the North or South Flip Flag (NS_FLIP) input to the DLPC910. Refer to [Related Documentation](#) for the DMD datasheet regarding orientation of rows, columns, and [Mirror Clocking Pulse](#) (MCP) blocks. The row address counter does not automatically wrap-around when using the increment row address pointer instruction. After the final row is addressed, the row address pointer must be cleared to 0.

7.3.5.2 Block Mode

The signals RST2BLKZ, BLKMD and BLKAD are used to designate which mirror block(s) is to be issued a MCP or a Block Clear.

7.3.6 Control Interface

7.3.6.1 Complement Data

By setting the COMP_DATA input high (logic 1), the user is able to command the DMD to internally complement its data inputs prior to loading the data into the mirror array. At least 0.6 ms is needed for the signal to be loaded.

This signal should not be used to invert data on a row basis. When used with the *Clear* command, the mirrors are still set to zero regardless of the COMP_DATA bit. The COMP_DATA signal should be kept low during initialization to ensure proper setup of the system.

7.3.6.2 North South Flip

The NS_FLIP signal allows the user to specify the loading direction of rows in the DMD when used with ROWMD = 01. This control has no effect if ROWMD = 10. [Table 7-1](#) and [Table 7-2](#) describe the effect of N/S flip. If NS_FLIP is set, this does not reverse the direction of MCP groups. For example, the normal case is to MCP blocks 0 – 15 in order. When NS_FLIP is set, the order of block MCPs must be reversed to 15 – 0. The NS_FLIP signal should be kept low during initialization to ensure proper setup of the system.

Table 7-1. Row Write Modes - N/S Flip Flag = 0

ROWMD		ROWAD												ACTION
1	0	10	9	8	7	6	5	4	3	2	1	0		
0	0	0	0	0	0	0	0	0	0	0	0	0	0	None
0	1	0	0	0	0	0	0	0	0	0	0	0	0	Increment row address pointer and write the concurrent data into that row
1	0	R	R	R	R	R	R	R	R	R	R	R	R	Set row address pointer to R and write the concurrent data into that row.
1	1	0	0	0	0	0	0	0	0	0	0	0	0	Clear row address pointer to 0 and write concurrent data into first row (that is, row 0).

Table 7-2. Row Write Modes - N/S Flip Flag = 1

ROWMD		ROWAD												ACTION
1	0	10	9	8	7	6	5	4	3	2	1	0		
0	0	0	0	0	0	0	0	0	0	0	0	0	0	None
0	1	0	0	0	0	0	0	0	0	0	0	0	0	Decrement the row address pointer and write the concurrent data into that row
1	0	R	R	R	R	R	R	R	R	R	R	R	R	Set the row address pointer to R and write the concurrent data into that row.
1	1	0	0	0	0	0	0	0	0	0	0	0	0	Set row address pointer to row = last row and write concurrent data into last row (that is, the last row = 1599 or 1079).

7.3.6.3 Watchdog

The DLPC910 contains a watchdog timer that initiates a global DMD MCP in the event that any DMD reset block has not received a MCP within 10 seconds. This auto-MCP function can be disabled by asserting WDT_ENBLZ high. Disabling the watchdog is not recommended unless the user ensures that a MCP to the entire DMD occurs within 10 seconds. During the time when the DLPC910 is in idle mode or is not operating, it is recommended to exercise the DMD mirrors by continuously loading alternating all-on/all-off patterns.

7.3.6.4 DMD Mirror Float

To avoid leaving a static image on the DMD without removing power, a mirror FLOAT operation can be issued to the DMD. A mirror FLOAT sequence begins by asserting the proper BLKMD and BLKAD as described in [Table 7-12](#). During the following row cycle, the DMD releases the tension under each mirror so that all mirrors are in a relatively flat position. The FLOAT operation takes approximately 500 μ s to complete, during which time RST_ACTIVE is NOT asserted. Normal operation may then continue without resetting or cycling power to the DLPC910 or the DMD.

7.3.6.5 Load4

Load4 functionality provides improved global binary pattern rates for applications that can trade diminished vertical resolution for higher pattern rates. Examples of these types of applications are shutter or chopper

applications and vertical structured light patterns. Asserting LOAD4_ENZ causes the attached DMD to load 4 rows for every row of data sent, reducing the pattern load time to $\frac{1}{4}$ of a full DMD load. It does not reduce the MCP timing.

7.3.6.5.1 Load4 Row Addressing

In Load4 mode, automatic increment mode and row address mode can still be used as before, however the largest addressable row is $(VRes/4) - 1$, where $VRes$ = the vertical resolution of the DMD. The addressable vertical resolution is reduced by four, although the physical resolution is unchanged.

Automatic increment address mode will automatically increment the row address input by one (or decrement by one for N/S flip). The row address input will be re-mapped as shown in [Table 7-3](#).

Table 7-3. Load4 Row Address Mapping

ROW ADDRESS INPUT	PHYSICAL ROWS LOADED ON DMD
0	0, 1, 2, 3
1	4, 5, 6, 7
2	8, 9, 10, 11
3	12, 13, 14, 15
N	4N, 4N+1, 4N+2, 4N+3
$(VRes/4) - 1$	$VRes-4, VRes-3, VRes-2, VRes-1$

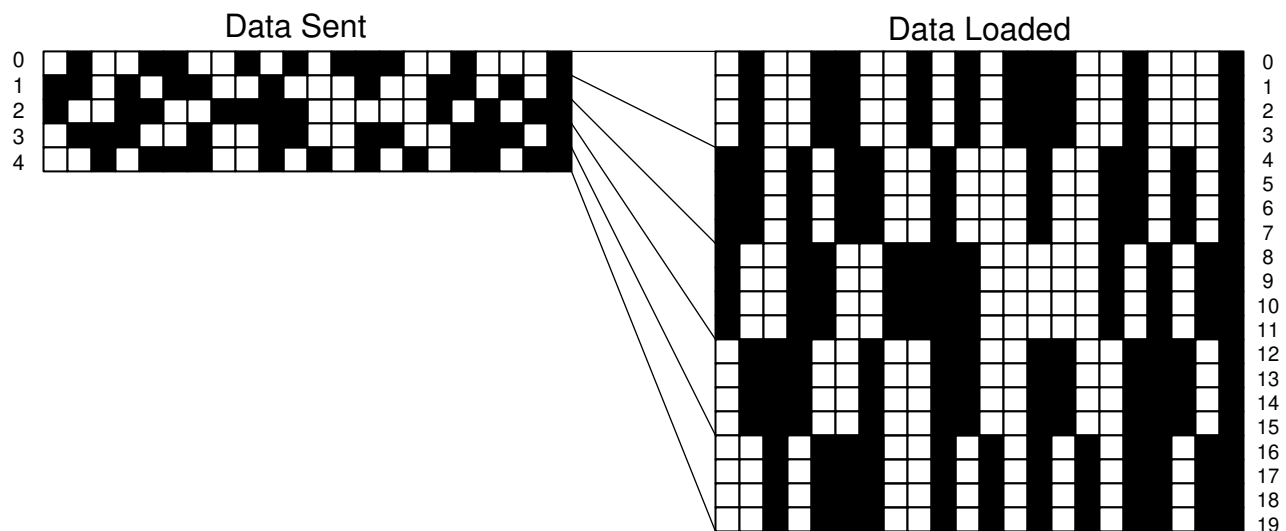


Figure 7-3. Example Load4 Row Address Mapping

7.3.6.5.2 Load4 Block Clears

While Load4 is enabled, Block Clear requests will be ignored. To load using Load4 followed by Block Clear request(s), simply de-assert LOAD4_ENZ at the beginning of the MCP request(s) preceding the Block Clear request(s). Re-assert LOAD4_ENZ at the beginning of the MCP request(s) preceding the next desired Load4 operation. This will ensure that the DLPC910 controller has sufficient time to disable or enable LOAD4_ENZ before data is loaded or Block Clear(s) are requested. Refer to [Block Clear](#) regarding block clear operation.

7.3.7 Status Interface

7.3.7.1 ECP2 Finished

When power is applied, the ECP2_FINISHED signal goes high to indicate the DLPC910 has completed loading the configuration from the DLPR910 PROM.

7.3.7.2 Initialization Active

The initialization active signal INIT_ACTIVE indicates that the DMD and the DLPC910 digital controller are in an initialization state after power is applied. During this initialization period, the DLPC910 is calibrating the data

interface, and initializing the DMD by setting all internal registers to their correct states. Monitoring the INIT_ACTIVE signal should not begin until ECP2_FINISHED goes high. When this signal goes low, the system has completed initialization. System initialization takes approximately 4 ms to complete. Data and command write cycles must not be asserted during the initialization. This signal is driven by a CLK_R register and should be considered an asynchronous signal. Standard synchronization techniques should be applied if monitoring this signal with a synchronous circuit clocked by a clock other than CLK_R. After initialization is complete, a delay of at least 64 clocks should be observed before the first DVALID is asserted (to ensure a clean start up process).

Note

The RST2BLKZ, COMP_DATA, and NS_FLIP signals should be kept low during initialization to ensure proper setup of the system.

7.3.7.3 Reset Active

The reset active signal RST_ACTIVE goes high for approximately 4 μs, indicating a MCP operation is in progress. During this time, no additional MCPs will be accepted by the DLPC910 until RST_ACTIVE returns low. RST_ACTIVE does not return to low unless continuous no-op or data loading row cycles are issued.

RST_ACTIVE is asserted to indicate that the operation is in progress. Each RST_ACTIVE pulse applies to one or more MCPs depending on the reset block operation chosen from [Table 7-12](#). RST_ACTIVE is synchronized to an internal version of DDC_DCLK. As such, circuits in the application FPGA should consider this signal asynchronous and use standard synchronization techniques to assure reliable registering of this signal.

7.3.7.4 DMD_TYPE

During initialization, the DLPC910 queries the attached DMD for its DMD Type information. This information can then be monitored by an external processor via the status output pins DMD_TYPE_[3:0], or can be read via software over the I²C interface from the [Section 7.5.1.4](#). The DMD types supported by the DLPC910 are listed in [Table 7-4](#).

Table 7-4. DMD Type Information

DMD_TYPE_[3:0] output pins	DESTOP_DMD_ID_REG value	Type of DMD identified by DLPC410
'0000'	0x00000000	Value upon reset condition. Once read = unsupported DMD or DMD not connected
'1110'	0x0000000E	DLP6500
'1111'	0x0000000F	DLP9000X or DLP9000XUV
all other values	invalid	invalid

Note

If the DMD type is unsupported by the DLPC910 or the DMD type is unable to be read from the DMD, then the DLPC910 will not allow bit plane images to be displayed on the DMD.

7.3.7.5 DDC_Version(2:0)

These three output pins of the DLPC910 identify the version of the DLPC910 firmware as determined by the contents of DLPR910 PROM. If a problem is encountered which encourages you to contact a Texas Instruments representative, please provide the version number along with the detailed information of the issue. The current state of these output pins can also be acquired over the I²C bus by reading the [DESTOP_VERSION Register](#). See the DLPR910 datasheet link located in [Section 11.2.1](#) for the expected version numbers related to DLPR910 revisions.

7.3.7.6 DMD_IRQ

The DMD_IRQ signal indicates a DMD power fault of one of the bias, offset, or reset power supplies. If the customer interface wishes to monitor this signal, it must first be enabled in the [DESTOP_INTERRUPT Register](#). The cause of the fault should be determined and resolved prior to a system reset to continue operation. The

customer interface can also monitor this event by polling the [DESTOP_INTERRUPT Register](#) via the I²C interface.

7.3.7.7 LED Indicators

7.3.7.7.1 VLED0

The VLED0 signal is typically connected to an LED to show that the DLPC910 is operating normally. The signal is 1 Hz with 50% duty cycle, otherwise known as the heartbeat.

7.3.7.7.2 VLED1

The VLED1 signal is typically connected to an LED indicator to show the status of system initialization and the status of the clock circuits. The VLED1 signal is asserted only when system initialization is complete and clock circuits are initialized. Logically, these signals are ANDed together to show an indication of the health of the system. If the Phase Locked Loop (PLL) connected to the data clock and the DMD clock are functioning correctly after system initialization, the LED will be illuminated.

7.3.8 Reset and System Clock

7.3.8.1 Controller Reset

The controller reset input CTRL_RSTZ is an active low, asynchronous reset. This reset can be sourced from a voltage supervisor or from the customer interface. Users should note that the chipset will not operate correctly if all DLPC910 power supplies are not in range at the time this reset is released.

7.3.8.2 Main Oscillator Clock

The reference clock, CLKIN_R, supplied from an oscillator must be 50 MHz. This is required for the precise timing used to perform the DMD MCP. This clock should be valid prior to releasing CTRL_RSTZ.

7.3.9 I²C Interface

The I²C interface is compliant to I²C specification version 1.0 – 1992, and operates between 100 kHz and 400 kHz clock rate. The interface allows the user to set controller configuration and provides status information such as:

- Controller and DMD identification
- DMD Type
- Versions
- Controller operating status
- Controller operating modes

Each I²C clock and data I/O requires an external 1K-Ω pull-up resistor to 3.3 V. Depending on the speed that is selected and the loading of the interface, a different pull-up resistor may be required.

7.3.9.1 Configuration Pins

The DDC_I2C_ADDR_SEL input signal allows the user to select the DLPC910 I²C slave address. When this pin is low, the slave address is 0x34 and when high the slave address is 0x36. If pin is left unconnected, the default slave address is 0x36.

The DDC_I2C_SCL is the master controller input clock. The DDC_I2C_SDA is the bidirectional data signal. Both these signals require a 1-kΩ pull-up resistor.

7.3.9.2 Communications Interface

Communications is performed over the I²C interface where the DLPC910 is the slave device. The DLPC910 slave address consists of a 7-bit address plus 1 R/W bit. Communicating with the DLPC910 involves writing to or reading from the registers listed in [Register Map](#).

7.3.9.2.1 Command Format

All register addresses are 32-bit in size, where each register contains a 32-bit value. The actual valid bits are shown in each respective register. Most registers contain spare or unused bits. These bits should be treated as *don't-care* during a read operation unless otherwise specified. When writing to spare or unused bits, these bits

MUST be set to 0. Both the register address and the data require the least-significant byte to be first and most-significant byte last. A SUB CMD must precede the register address to indicate the type of operation, where a 0xF1 indicates a write operation and a 0xF2 indicates a read operation. The following figures show examples of writing and reading to the DESTOP_BUS_SWAP register.

Figure 7-4 shows an I²C master writing data to the DLPC910, where 0xF1 is required as the SUB CMD followed by the register address and finally the register data.

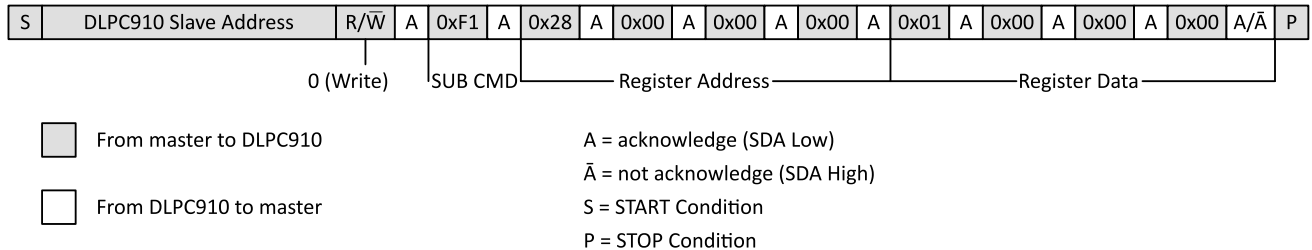


Figure 7-4. Example I²C Master Writing DLPC910 Register Data

Figure 7-5 shows an I²C master reading data from the DLPC910, where 0xF2 is required as the SUB CMD followed by the register address. Then the master performs STOP followed by a START to read the register data.

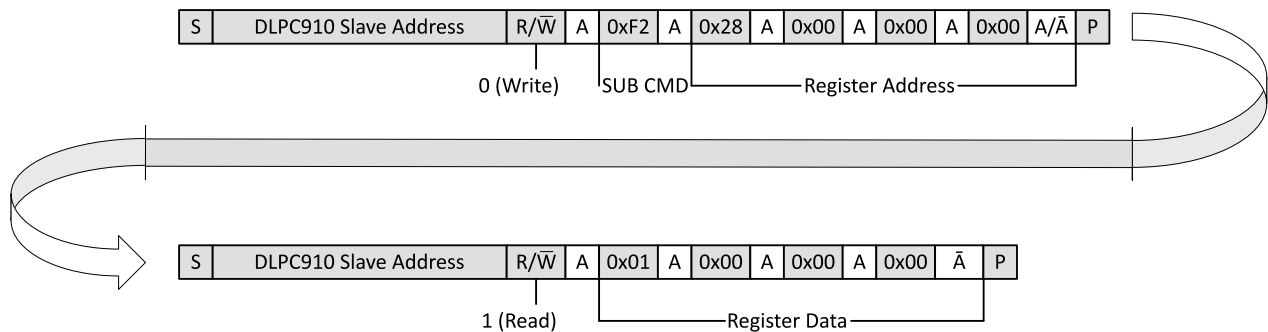


Figure 7-5. Example I²C Master Reading DLPC910 Register Data

7.3.10 DMD Interface

Refer to Table 7-11 to obtain the required LVDS buses needed for each supported DMD.

7.3.10.1 DDC_DOUT

The controller provides four (A, B, C, D) 16-bit wide 2x LVDS output data buses to the DMD with a user selectable bus frequency of 400 or 480 MHz.

7.3.10.2 DDC_SCTRL

The controller provides four (A, B, C, D) control output buses to the DMD. Each bus provides the necessary control data for the different operating modes of the DMD.

7.3.10.3 DDC_DCLKOUT

The controller provides four (A, B, C, D) clock outputs to the DMD with a clock frequency of 400 or 480 MHz (user selectable). Both DDC_DOUT and DDC_SCTRL are clocked into the DMD on both the rising and falling edges of the DDC_DCLKOUT. **When connecting the DLPC910 with a DLP6500, SPEED_SEL[1:0] inputs must be set to "00".**

7.3.10.4 DMD Reset Interface

7.3.10.4.1 Mirror Reset Control

The controller provides the necessary mirror reset control signals to the DMD, which are:

DLPC910

DLPS064D – SEPTEMBER 2015 – REVISED SEPTEMBER 2020

- RESET_ADDR(3:0) – Reset Driver Address Select.
- RESET_MODE(3:0) – Reset Driver Mode Select.
- RESET_SEL(1:0) – Reset Driver Level Select.
- RESET_STRB – Reset Address, Mode, and Level Select latched on rising-edge.

7.3.10.5 Enable and Interrupt Signals

The controller provides the necessary outputs for DMD enables and an input interrupt from the DMD, which are:

- RESET_RSTZ – Active-low reset output to the DMD PWRDNZ and RESETZ inputs.
- RESET_OEZ – Active-low output enable for the DMD reset driver circuits.
- RESET_IRQZ – Active-low input interrupt from the DMD.

7.3.10.6 Serial Control Port

The DLPC910 communicates with the DMD over the SCP bus to perform initialization, set configuration, and retrieve identification information.

7.3.11 Flash PROM Interface
7.3.11.1 JTAG Interface

The JTAG interface has multiple purposes that can be used in the following manner:

- Program the configuration bit stream directly into the DLPC910
- Perform boundary test and debug of the DLPC910
- Program the configuration bit stream directly into the DLPR910 Flash PROM (not user configurable)

7.3.11.2 PGM Interface

The PGM(4:0) interface is used by the DLPC910 to read in the configuration bit stream from the attached DLPR910 PROM.

7.4 Device Functional Modes

The following section focuses on the operation of the DLP9000X/DLP9000XUV DMDs. The DLP6500 operates similar to the DLP9000X/DLP9000XUV. Refer to [Table 7-11](#) for the differences between the supported DMDs.

7.4.1 DMD Row Operation

The DMD data is loaded one row at a time with the LVDS buses into the DMD SRAM array. All DMD data buses are required for correct operation. Refer to [Table 7-11](#) to obtain the required LVDS buses for each DMD supported. Each bus consists of a differential clock (DDC_DCLKOUT), a differential control signal (DDC_SCTRL), and 16 differential pairs of LVDS signals (DDC_DOUT[15:0]) that are output from the DLPC910. Data and control are clocked into the DMD on both the rising and falling edges of the DDC_DCLKOUT clocks. Data loading does not cause mirror switching until a MCP operation is completed.

The number of clocks to load a row can be calculated as:

$$C = P / (D \times E) \tag{1}$$

where

- C = number of clocks per row
- P = number of pixels per row
- D = data bus bit width
- E = 2. (Data is clocked on both the rising and falling edge of DCLK.)

Example:

$$C = 2560 / (64 \times 2) = 20 \text{ clocks per row}$$

Row address orientation depends on the North or South Flip Flag (NS_FLIP) input to the DLPC910. Refer to [Related Documentation](#) for the DMD datasheet regarding orientation of rows, columns, and MCP blocks. The row address counter does not automatically wrap-around when using the increment row address pointer instruction. After the final row is addressed, the row address pointer must be cleared to 0.

Note

The pin names in the following Pixel Mapping tables have been shortened to allow the tables to fit on the page. For example: D_A(0) = DDC_DIN_A0, D_A(1) = DDC_DIN_A1, and so on.

Table 7-5. DLP9000X/DLP9000XUV Pixel Mapping for D_A(x)

DCLK EDGE	D_A(0)	D_A(1)	D_A(2)	D_A(3)	D_A(4)	D_A(5)	D_A(6)	D_A(7)	D_A(8)	D_A(9)	D_A(10)	D_A(11)	D_A(12)	D_A(12)	D_A(14)	D_A(15)
0	0	1	2	3	4	5	6	7	8	9	10	11	12	13	14	15
1	32	33	34	35	36	37	38	39	40	41	42	43	44	45	46	47
2	64	65	66	67	68	69	70	71	72	73	74	75	76	77	78	79
3	96	97	98	99	100	101	102	103	104	105	106	107	108	109	110	111
4	128	129	130	131	132	133	134	135	136	137	138	139	140	141	142	143
5	160	161	162	163	164	165	166	167	168	169	170	171	172	173	174	175
6	192	193	194	195	196	197	198	199	200	201	202	203	204	205	206	207
7	224	225	226	227	228	229	230	231	232	233	234	235	236	237	238	239
8	256	257	258	259	260	261	262	263	264	265	266	267	268	269	270	271
9	288	289	290	291	292	293	294	295	296	297	298	299	300	301	302	303
10	320	321	322	323	324	325	326	327	328	329	330	331	332	333	334	335
11	352	353	354	355	356	357	358	359	360	361	362	363	364	365	366	367
12	384	385	386	387	388	389	390	391	392	393	394	395	396	397	398	399
13	416	417	418	419	420	421	422	423	424	425	426	427	428	429	430	431
14	448	449	450	451	452	453	454	455	456	457	458	459	460	461	462	463
15	480	481	482	483	484	485	486	487	488	489	490	491	492	493	494	495
16	512	513	514	515	516	517	518	519	520	521	522	523	524	525	526	527
17	544	545	546	547	548	549	550	551	552	553	554	555	556	557	558	559
18	576	577	578	579	580	581	582	583	584	585	586	587	588	589	590	591
19	608	609	610	611	612	613	614	615	616	617	618	619	620	621	622	623
20	640	641	642	643	644	645	646	647	648	649	650	651	652	653	654	655
21	672	673	674	675	676	677	678	679	680	681	682	683	684	685	686	687
22	704	705	706	707	708	709	710	711	712	713	714	715	716	717	718	719
23	736	737	738	739	740	741	742	743	744	745	746	747	748	749	750	751
24	768	769	770	771	772	773	774	775	776	777	778	779	780	781	782	783
25	800	801	802	803	804	805	806	807	808	809	810	811	812	813	814	815
26	832	833	834	835	836	837	838	839	840	841	842	843	844	845	846	847
27	864	865	866	867	868	869	870	871	872	873	874	875	876	877	878	879
28	896	897	898	899	900	901	902	903	904	905	906	907	908	909	910	911
29	928	929	930	931	932	933	934	935	936	937	938	939	940	941	942	943
30	960	961	962	963	964	965	966	967	968	969	970	971	972	973	974	975
31	992	993	994	995	996	997	998	999	1000	1001	1002	1003	1004	1005	1006	1007
32	1024	1025	1026	1027	1028	1029	1030	1031	1032	1033	1034	1035	1036	1037	1038	1039
33	1056	1057	1058	1059	1060	1061	1062	1063	1064	1065	1066	1067	1068	1069	1070	1071
34	1088	1089	1090	1091	1092	1093	1094	1095	1096	1097	1098	1099	1100	1101	1102	1103
35	1120	1121	1122	1123	1124	1125	1126	1127	1128	1129	1130	1131	1132	1133	1134	1135
36	1152	1153	1154	1155	1156	1157	1158	1159	1160	1161	1162	1163	1164	1165	1166	1167
37	1184	1185	1186	1187	1188	1189	1190	1191	1192	1193	1194	1195	1196	1197	1198	1199
38	1216	1217	1218	1219	1220	1221	1222	1223	1224	1225	1226	1227	1228	1229	1230	1231
39	1248	1249	1250	1251	1252	1253	1254	1255	1256	1257	1258	1259	1260	1261	1262	1263

Table 7-6. DLP9000X/DLP9000XUV Pixel Mapping for D_B(x)

DCLK EDGE	D_B(0)	D_B(1)	D_B(2)	D_B(3)	D_B(4)	D_B(5)	D_B(6)	D_B(7)	D_B(8)	D_B(9)	D_B(10)	D_B(11)	D_B(12)	D_B(12)	D_B(14)	D_B(15)
0	16	17	18	19	20	21	22	23	24	25	26	27	28	29	30	31
1	48	49	50	51	52	53	54	55	56	57	58	59	60	61	62	63
2	80	81	82	83	84	85	86	87	88	89	90	91	92	93	94	95
3	112	113	114	115	116	117	118	119	120	121	122	123	124	125	126	127
4	144	145	146	147	148	149	150	151	152	153	154	155	156	157	158	159
5	176	177	178	179	180	181	182	183	184	185	186	187	188	189	190	191

Table 7-6. DLP9000X/DLP9000XUV Pixel Mapping for D_B(x) (continued)

DCLK EDGE	D_B(0)	D_B(1)	D_B(2)	D_B(3)	D_B(4)	D_B(5)	D_B(6)	D_B(7)	D_B(8)	D_B(9)	D_B(10)	D_B(11)	D_B(12)	D_B(12)	D_B(14)	D_B(15)
6	208	209	210	211	212	213	214	215	216	217	218	219	220	221	222	223
7	240	241	242	243	244	245	246	247	248	249	250	251	252	253	254	255
8	272	273	274	275	276	277	278	279	280	281	282	283	284	285	286	287
9	304	305	306	307	308	309	310	311	312	313	314	315	316	317	318	319
10	336	337	338	339	340	341	342	343	344	345	346	347	348	349	350	351
11	368	369	370	371	372	373	374	375	376	377	378	379	380	381	382	383
12	400	401	402	403	404	405	406	407	408	409	410	411	412	413	414	415
13	432	433	434	435	436	437	438	439	440	441	442	443	444	445	446	447
14	464	465	466	467	468	469	470	471	472	473	474	475	476	477	478	479
15	496	497	498	499	500	501	502	503	504	505	506	507	508	509	510	511
16	528	529	530	531	532	533	534	535	536	537	538	539	540	541	542	543
17	560	561	562	563	564	565	566	567	568	569	570	571	572	573	574	575
18	592	593	594	595	596	597	598	599	600	601	602	603	604	605	606	607
19	624	625	626	627	628	629	630	631	632	633	634	635	636	637	638	639
20	656	657	658	659	660	661	662	663	664	665	666	667	668	669	670	671
21	688	689	690	691	692	693	694	695	696	697	698	699	700	701	702	703
22	720	721	722	723	724	725	726	727	728	729	730	731	732	733	734	735
23	752	753	754	755	756	757	758	759	760	761	762	763	764	765	766	767
24	784	785	786	787	788	789	790	791	792	793	794	795	796	797	798	799
25	816	817	818	819	820	821	822	823	824	825	826	827	828	829	830	831
26	848	849	850	851	852	853	854	855	856	857	858	859	860	861	862	863
27	880	881	882	883	884	885	886	887	888	889	890	891	892	893	894	895
28	912	913	914	915	916	917	918	919	920	921	922	923	924	925	926	927
29	944	945	946	947	948	949	950	951	952	953	954	955	956	957	958	959
30	976	977	978	979	980	981	982	983	984	985	986	987	988	989	990	991
31	1008	1009	1010	1011	1012	1013	1014	1015	1016	1017	1018	1019	1020	1021	1022	1023
32	1040	1041	1042	1043	1044	1045	1046	1047	1048	1049	1050	1051	1052	1053	1054	1055
33	1072	1073	1074	1075	1076	1077	1078	1079	1080	1081	1082	1083	1084	1085	1086	1087
34	1104	1105	1106	1107	1108	1109	1110	1111	1112	1113	1114	1115	1116	1117	1118	1119
35	1136	1137	1138	1139	1140	1141	1142	1143	1144	1145	1146	1147	1148	1149	1150	1151
36	1168	1169	1170	1171	1172	1173	1174	1175	1176	1177	1178	1179	1180	1181	1182	1183
37	1200	1201	1202	1203	1204	1205	1206	1207	1208	1209	1210	1211	1212	1213	1214	1215
38	1232	1233	1234	1235	1236	1237	1238	1239	1240	1241	1242	1243	1244	1245	1246	1247
39	1264	1265	1266	1267	1268	1269	1270	1271	1272	1273	1274	1275	1276	1277	1278	1279

Table 7-7. DLP9000X/DLP9000XUV Pixel Mapping for D_C(x)

DCLK EDGE	D_C(0)	D_C(1)	D_C(2)	D_C(3)	D_C(4)	D_C(5)	D_C(6)	D_C(7)	D_C(8)	D_C(9)	D_C(10)	D_C(11)	D_C(12)	D_C(12)	D_C(14)	D_C(15)
0	1280	1281	1282	1283	1284	1285	1286	1287	1288	1289	1290	1291	1292	1293	1294	1295
1	1312	1313	1314	1315	1316	1317	1318	1319	1320	1321	1322	1323	1324	1325	1326	1327
2	1344	1345	1346	1347	1348	1349	1350	1351	1352	1353	1354	1355	1356	1357	1358	1359
3	1376	1377	1378	1379	1380	1381	1382	1383	1384	1385	1386	1387	1388	1389	1390	1391
4	1408	1409	1410	1411	1412	1413	1414	1415	1416	1417	1418	1419	1420	1421	1422	1423
5	1440	1441	1442	1443	1444	1445	1446	1447	1448	1449	1450	1451	1452	1453	1454	1455
6	1472	1473	1474	1475	1476	1477	1478	1479	1480	1481	1482	1483	1484	1485	1486	1487
7	1504	1505	1506	1507	1508	1509	1510	1511	1512	1513	1514	1515	1516	1517	1518	1519
8	1536	1537	1538	1539	1540	1541	1542	1543	1544	1545	1546	1547	1548	1549	1550	1551
9	1568	1569	1570	1571	1572	1573	1574	1575	1576	1577	1578	1579	1580	1581	1582	1583
10	1600	1601	1602	1603	1604	1605	1606	1607	1608	1609	1610	1611	1612	1613	1614	1615
11	1632	1633	1634	1635	1636	1637	1638	1639	1640	1641	1642	1643	1644	1645	1646	1647
12	1664	1665	1666	1667	1668	1669	1670	1671	1672	1673	1674	1675	1676	1677	1678	1679
13	1696	1697	1698	1699	1700	1701	1702	1703	1704	1705	1706	1707	1708	1709	1710	1711
14	1728	1729	1730	1731	1732	1733	1734	1735	1736	1737	1738	1739	1740	1741	1742	1743
15	1760	1761	1762	1763	1764	1765	1766	1767	1768	1769	1770	1771	1772	1773	1774	1775
16	1792	1793	1794	1795	1796	1797	1798	1799	1800	1801	1802	1803	1804	1805	1806	1807
17	1824	1825	1826	1827	1828	1829	1830	1831	1832	1833	1834	1835	1836	1837	1838	1839
18	1856	1857	1858	1859	1860	1861	1862	1863	1864	1865	1866	1867	1868	1869	1870	1871
19	1888	1889	1890	1891	1892	1893	1894	1895	1896	1897	1898	1899	1900	1901	1902	1903
20	1920	1921	1922	1923	1924	1925	1926	1927	1928	1929	1930	1931	1932	1933	1934	1935
21	1952	1953	1954	1955	1956	1957	1958	1959	1960	1961	1962	1963	1964	1965	1966	1967
22	1984	1985	1986	1987	1988	1989	1990	1991	1992	1993	1994	1995	1996	1997	1998	1999
23	2016	2017	2018	2019	2020	2021	2022	2023	2024	2025	2026	2027	2028	2029	2030	2031
24	2048	2049	2050	2051	2052	2053	2054	2055	2056	2057	2058	2059	2060	2061	2062	2063
25	2080	2081	2082	2083	2084	2085	2086	2087	2088	2089	2090	2091	2092	2093	2094	2095
26	2112	2113	2114	2115	2116	2117	2118	2119	2120	2121	2122	2123	2124	2125	2126	2127
27	2144	2145	2146	2147	2148	2149	2150	2151	2152	2153	2154	2155	2156	2157	2158	2159
28	2176	2177	2178	2179	2180	2181	2182	2183	2184	2185	2186	2187	2188	2189	2190	2191
29	2208	2209	2210	2211	2212	2213	2214	2215	2216	2217	2218	2219	2220	2221	2222	2223
30	2240	2241	2242	2243	2244	2245	2246	2247	2248	2249	2250	2251	2252	2253	2254	2255
31	2272	2273	2274	2275	2276	2277	2278	2279	2280	2281	2282	2283	2284	2285	2286	2287
32	2304	2305	2306	2307	2308	2309	2310	2311	2312	2313	2314	2315	2316	2317	2318	2319
33	2336	2337	2338	2339	2340	2341	2342	2343	2344	2345	2346	2347	2348	2349	2350	2351
34	2368	2369	2370	2371	2372	2373	2374	2375	2376	2377	2378	2379	2380	2381	2382	2383
35	2400	2401	2402	2403	2404	2405	2406	2407	2408	2409	2410	2411	2412	2413	2414	2415
36	2432	2433	2434	2435	2436	2437	2438	2439	2440	2441	2442	2443	2444	2445	2446	2447
37	2464	2465	2466	2467	2468	2469	2470	2471	2472	2473	2474	2475	2476	2477	2478	2479
38	2496	2497	2498	2499	2500	2501	2502	2503	2504	2505	2506	2507	2508	2509	2510	2511
39	2528	2529	2530	2531	2532	2533	2534	2535	2536	2537	2538	2539	2540	2541	2542	2543

Table 7-8. DLP9000X/DLP9000XUV Pixel Mapping for D_D(x)

DCLK EDGE	D_D(0)	D_D(1)	D_D(2)	D_D(3)	D_D(4)	D_D(5)	D_D(6)	D_D(7)	D_D(8)	D_D(9)	D_D(10)	D_D(11)	D_D(12)	D_D(12)	D_D(14)	D_D(15)
0	1296	1297	1298	1299	1300	1301	1302	1303	1304	1305	1306	1307	1308	1309	1310	1311
1	1328	1329	1330	1331	1332	1333	1334	1335	1336	1337	1338	1339	1340	1341	1342	1343
2	1360	1361	1362	1363	1364	1365	1366	1367	1368	1369	1370	1371	1372	1373	1374	1375
3	1392	1393	1394	1395	1396	1397	1398	1399	1400	1401	1402	1403	1404	1405	1406	1407
4	1424	1425	1426	1427	1428	1429	1430	1431	1432	1433	1434	1435	1436	1437	1438	1439
5	1456	1457	1458	1459	1460	1461	1462	1463	1464	1465	1466	1467	1468	1469	1470	1471
6	1488	1489	1490	1491	1492	1493	1494	1495	1496	1497	1498	1499	1500	1501	1502	1503
7	1520	1521	1522	1523	1524	1525	1526	1527	1528	1529	1530	1531	1532	1533	1534	1535
8	1552	1553	1554	1555	1556	1557	1558	1559	1560	1561	1562	1563	1564	1565	1566	1567
9	1584	1585	1586	1587	1588	1589	1590	1591	1592	1593	1594	1595	1596	1597	1598	1599
10	1616	1617	1618	1619	1620	1621	1622	1623	1624	1625	1626	1627	1628	1629	1630	1631
11	1648	1649	1650	1651	1652	1653	1654	1655	1656	1657	1658	1659	1660	1661	1662	1663
12	1680	1681	1682	1683	1684	1685	1686	1687	1688	1689	1690	1691	1692	1693	1694	1695
13	1712	1713	1714	1715	1716	1717	1718	1719	1720	1721	1722	1723	1724	1725	1726	1727
14	1744	1745	1746	1747	1748	1749	1750	1751	1752	1753	1754	1755	1756	1757	1758	1759
15	1776	1777	1778	1779	1780	1781	1782	1783	1784	1785	1786	1787	1788	1789	1790	1791
16	1808	1809	1810	1811	1812	1813	1814	1815	1816	1817	1818	1819	1820	1821	1822	1823
17	1840	1841	1842	1843	1844	1845	1846	1847	1848	1849	1850	1851	1852	1853	1854	1855
18	1872	1873	1874	1875	1876	1877	1878	1879	1880	1881	1882	1883	1884	1885	1886	1887
19	1904	1905	1906	1907	1908	1909	1910	1911	1912	1913	1914	1915	1916	1917	1918	1919
20	1936	1937	1938	1939	1940	1941	1942	1943	1944	1945	1946	1947	1948	1949	1950	1951
21	1968	1969	1970	1971	1972	1973	1974	1975	1976	1977	1978	1979	1980	1981	1982	1983
22	2000	2001	2002	2003	2004	2005	2006	2007	2008	2009	2010	2011	2012	2013	2014	2015
23	2032	2033	2034	2035	2036	2037	2038	2039	2040	2041	2042	2043	2044	2045	2046	2047
24	2064	2065	2066	2067	2068	2069	2070	2071	2072	2073	2074	2075	2076	2077	2078	2079
25	2096	2097	2098	2099	2100	2101	2102	2103	2104	2105	2106	2107	2108	2109	2110	2111
26	2128	2129	2130	2131	2132	2133	2134	2135	2136	2137	2138	2139	2140	2141	2142	2143
27	2160	2161	2162	2163	2164	2165	2166	2167	2168	2169	2170	2171	2172	2173	2174	2175
28	2192	2193	2194	2195	2196	2197	2198	2199	2200	2201	2202	2203	2204	2205	2206	2207
29	2224	2225	2226	2227	2228	2229	2230	2231	2232	2233	2234	2235	2236	2237	2238	2239
30	2256	2257	2258	2259	2260	2261	2262	2263	2264	2265	2266	2267	2268	2269	2270	2271
31	2288	2289	2290	2291	2292	2293	2294	2295	2296	2297	2298	2299	2300	2301	2302	2303
32	2320	2321	2322	2323	2324	2325	2326	2327	2328	2329	2330	2331	2332	2333	2334	2335
33	2352	2353	2354	2355	2356	2357	2358	2359	2360	2361	2362	2363	2364	2365	2366	2367
34	2384	2385	2386	2387	2388	2389	2390	2391	2392	2393	2394	2395	2396	2397	2398	2399
35	2416	2417	2418	2419	2420	2421	2422	2423	2424	2425	2426	2427	2428	2429	2430	2431
36	2448	2449	2450	2451	2452	2453	2454	2455	2456	2457	2458	2459	2460	2461	2462	2463
37	2480	2481	2482	2483	2484	2485	2486	2487	2488	2489	2490	2491	2492	2493	2494	2495
38	2512	2513	2514	2515	2516	2517	2518	2519	2520	2521	2522	2523	2524	2525	2526	2527
39	2544	2545	2546	2547	2548	2549	2550	2551	2552	2553	2554	2555	2556	2557	2558	2559

Table 7-9. DLP6500 Pixel Mapping for D_A(x)

DCLK EDGE	D_A(0)	D_A(1)	D_A(2)	D_A(3)	D_A(4)	D_A(5)	D_A(6)	D_A(7)	D_A(8)	D_A(9)	D_A(10)	D_A(11)	D_A(12)	D_A(12)	D_A(14)	D_A(15)
0	Not visible															
1	Not visible															
2	0	1	2	3	4	5	6	7	8	9	10	11	12	13	14	15
3	32	33	34	35	36	37	38	39	40	41	42	43	44	45	46	47
4	64	65	66	67	68	69	70	71	72	73	74	75	76	77	78	79
5	96	97	98	99	100	101	102	103	104	105	106	107	108	109	110	111
6	128	129	130	131	132	133	134	135	136	137	138	139	140	141	142	143
7	160	161	162	163	164	165	166	167	168	169	170	171	172	173	174	175
8	192	193	194	195	196	197	198	199	200	201	202	203	204	205	206	207
9	224	225	226	227	228	229	230	231	232	233	234	235	236	237	238	239
10	256	257	258	259	260	261	262	263	264	265	266	267	268	269	270	271
11	288	289	290	291	292	293	294	295	296	297	298	299	300	301	302	303
12	320	321	322	323	324	325	326	327	328	329	330	331	332	333	334	335
13	352	353	354	355	356	357	358	359	360	361	362	363	364	365	366	367
14	384	385	386	387	388	389	390	391	392	393	394	395	396	397	398	399
15	416	417	418	419	420	421	422	423	424	425	426	427	428	429	430	431
16	448	449	450	451	452	453	454	455	456	457	458	459	460	461	462	463
17	480	481	482	483	484	485	486	487	488	489	490	491	492	493	494	495
18	512	513	514	515	516	517	518	519	520	521	522	523	524	525	526	527
19	544	545	546	547	548	549	550	551	552	553	554	555	556	557	558	559
20	576	577	578	579	580	581	582	583	584	585	586	587	588	589	590	591
21	608	609	610	611	612	613	614	615	616	617	618	619	620	621	622	623
22	640	641	642	643	644	645	646	647	648	649	650	651	652	653	654	655
23	672	673	674	675	676	677	678	679	680	681	682	683	684	685	686	687
24	704	705	706	707	708	709	710	711	712	713	714	715	716	717	718	719
25	736	737	738	739	740	741	742	743	744	745	746	747	748	749	750	751
26	768	769	770	771	772	773	774	775	776	777	778	779	780	781	782	783
27	800	801	802	803	804	805	806	807	808	809	810	811	812	813	814	815
28	832	833	834	835	836	837	838	839	840	841	842	843	844	845	846	847
29	864	865	866	867	868	869	870	871	872	873	874	875	876	877	878	879
30	896	897	898	899	900	901	902	903	904	905	906	907	908	909	910	911
31	928	929	930	931	932	933	934	935	936	937	938	939	940	941	942	943
32	960	961	962	963	964	965	966	967	968	969	970	971	972	973	974	975
33	992	993	994	995	996	997	998	999	1000	1001	1002	1003	1004	1005	1006	1007
34	1024	1025	1026	1027	1028	1029	1030	1031	1032	1033	1034	1035	1036	1037	1038	1039
35	1056	1057	1058	1059	1060	1061	1062	1063	1064	1065	1066	1067	1068	1069	1070	1071
36	1088	1089	1090	1091	1092	1093	1094	1095	1096	1097	1098	1099	1100	1101	1102	1103
37	1120	1121	1122	1123	1124	1125	1126	1127	1128	1129	1130	1131	1132	1133	1134	1135
38	1152	1153	1154	1155	1156	1157	1158	1159	1160	1161	1162	1163	1164	1165	1166	1167
39	1184	1185	1186	1187	1188	1189	1190	1191	1192	1193	1194	1195	1196	1197	1198	1199
40	1216	1217	1218	1219	1220	1221	1222	1223	1224	1225	1226	1227	1228	1229	1230	1231
41	1248	1249	1250	1251	1252	1253	1254	1255	1256	1257	1258	1259	1260	1261	1262	1263
42	1280	1281	1282	1283	1284	1285	1286	1287	1288	1289	1290	1291	1292	1293	1294	1295
43	1312	1313	1314	1315	1316	1317	1318	1319	1320	1321	1322	1323	1324	1325	1326	1327
44	1344	1345	1346	1347	1348	1349	1350	1351	1352	1353	1354	1355	1356	1357	1358	1359
45	1376	1377	1378	1379	1380	1381	1382	1383	1384	1385	1386	1387	1388	1389	1390	1391
46	1408	1409	1410	1411	1412	1413	1414	1415	1416	1417	1418	1419	1420	1421	1422	1423
47	1440	1441	1442	1443	1444	1445	1446	1447	1448	1449	1450	1451	1452	1453	1454	1455
48	1472	1473	1474	1475	1476	1477	1478	1479	1480	1481	1482	1483	1484	1485	1486	1487
49	1504	1505	1506	1507	1508	1509	1510	1511	1512	1513	1514	1515	1516	1517	1518	1519
50	1536	1537	1538	1539	1540	1541	1542	1543	1544	1545	1546	1547	1548	1549	1550	1551
51	1568	1569	1570	1571	1572	1573	1574	1575	1576	1577	1578	1579	1580	1581	1582	1583
52	1600	1601	1602	1603	1604	1605	1606	1607	1608	1609	1610	1611	1612	1613	1614	1615
53	1632	1633	1634	1635	1636	1637	1638	1639	1640	1641	1642	1643	1644	1645	1646	1647

Table 7-9. DLP6500 Pixel Mapping for D_A(x) (continued)

DCLK EDGE	D_A(0)	D_A(1)	D_A(2)	D_A(3)	D_A(4)	D_A(5)	D_A(6)	D_A(7)	D_A(8)	D_A(9)	D_A(10)	D_A(11)	D_A(12)	D_A(12)	D_A(14)	D_A(15)
54	1664	1665	1666	1667	1668	1669	1670	1671	1672	1673	1674	1675	1676	1677	1678	1679
55	1696	1697	1698	1699	1700	1701	1702	1703	1704	1705	1706	1707	1708	1709	1710	1711
56	1728	1729	1730	1731	1732	1733	1734	1735	1736	1737	1738	1739	1740	1741	1742	1743
57	1760	1761	1762	1763	1764	1765	1766	1767	1768	1769	1770	1771	1772	1773	1774	1775
58	1792	1793	1794	1795	1796	1797	1798	1799	1800	1801	1802	1803	1804	1805	1806	1807
59	1824	1825	1826	1827	1828	1829	1830	1831	1832	1833	1834	1835	1836	1837	1838	1839
60	1856	1857	1858	1859	1860	1861	1862	1863	1864	1865	1866	1867	1868	1869	1870	1871
61	1888	1889	1890	1891	1892	1893	1894	1895	1896	1897	1898	1899	1900	1901	1902	1903
62	Not visible															
63																

Table 7-10. DLP6500 Pixel Mapping for D_B(x)

DCLK EDGE	D_B(0)	D_B(1)	D_B(2)	D_B(3)	D_B(4)	D_B(5)	D_B(6)	D_B(7)	D_B(8)	D_B(9)	D_B(10)	D_B(11)	D_B(12)	D_B(12)	D_B(14)	D_B(15)
0	Not visible															
1	Not visible															
2	16	17	18	19	20	21	22	23	24	25	26	27	28	29	30	31
3	48	49	50	51	52	53	54	55	56	57	58	59	60	61	62	63
4	80	81	82	83	84	85	86	87	88	89	90	91	92	93	94	95
5	112	113	114	115	116	117	118	119	120	121	122	123	124	125	126	127
6	144	145	146	147	148	149	150	151	152	153	154	155	156	157	158	159
7	176	177	178	179	180	181	182	183	184	185	186	187	188	189	190	191
8	208	209	210	211	212	213	214	215	216	217	218	219	220	221	222	223
9	240	241	242	243	244	245	246	247	248	249	250	251	252	253	254	255
10	272	273	274	275	276	277	278	279	280	281	282	283	284	285	286	287
11	304	305	306	307	308	309	310	311	312	313	314	315	316	317	318	319
12	336	337	338	339	340	341	342	343	344	345	346	347	348	349	350	351
13	368	369	370	371	372	373	374	375	376	377	378	379	380	381	382	383
14	400	401	402	403	404	405	406	407	408	409	410	411	412	413	414	415
15	432	433	434	435	436	437	438	439	440	441	442	443	444	445	446	447
16	464	465	466	467	468	469	470	471	472	473	474	475	476	477	478	479
17	496	497	498	499	500	501	502	503	504	505	506	507	508	509	510	511
18	528	529	530	531	532	533	534	535	536	537	538	539	540	541	542	543
19	560	561	562	563	564	565	566	567	568	569	570	571	572	573	574	575
20	592	593	594	595	596	597	598	599	600	601	602	603	604	605	606	607
21	624	625	626	627	628	629	630	631	632	633	634	635	636	637	638	639
22	656	657	658	659	660	661	662	663	664	665	666	667	668	669	670	671
23	688	689	690	691	692	693	694	695	696	697	698	699	700	701	702	703
24	720	721	722	723	724	725	726	727	728	729	730	731	732	733	734	735
25	752	753	754	755	756	757	758	759	760	761	762	763	764	765	766	767
26	784	785	786	787	788	789	790	791	792	793	794	795	796	797	798	799
27	816	817	818	819	820	821	822	823	824	825	826	827	828	829	830	831
28	848	849	850	851	852	853	854	855	856	857	858	859	860	861	862	863
29	880	881	882	883	884	885	886	887	888	889	890	891	892	893	894	895
30	912	913	914	915	916	917	918	919	920	921	922	923	924	925	926	927
31	944	945	946	947	948	949	950	951	952	953	954	955	956	957	958	959
32	976	977	978	979	980	981	982	983	984	985	986	987	988	989	990	991
33	1008	1009	1010	1011	1012	1013	1014	1015	1016	1017	1018	1019	1020	1021	1022	1023
34	1040	1041	1042	1043	1044	1045	1046	1047	1048	1049	1050	1051	1052	1053	1054	1055
35	1072	1073	1074	1075	1076	1077	1078	1079	1080	1081	1082	1083	1084	1085	1086	1087
36	1104	1105	1106	1107	1108	1109	1110	1111	1112	1113	1114	1115	1116	1117	1118	1119
37	1136	1137	1138	1139	1140	1141	1142	1143	1144	1145	1146	1147	1148	1149	1150	1151
38	1168	1169	1170	1171	1172	1173	1174	1175	1176	1177	1178	1179	1180	1181	1182	1183
39	1200	1201	1202	1203	1204	1205	1206	1207	1208	1209	1210	1211	1212	1213	1214	1215
40	1232	1233	1234	1235	1236	1237	1238	1239	1240	1241	1242	1243	1244	1245	1246	1247
41	1264	1265	1266	1267	1268	1269	1270	1271	1272	1273	1274	1275	1276	1277	1278	1279
42	1296	1297	1298	1299	1300	1301	1302	1303	1304	1305	1306	1307	1308	1309	1310	1311
43	1328	1329	1330	1331	1332	1333	1334	1335	1336	1337	1338	1339	1340	1341	1342	1343
44	1360	1361	1362	1363	1364	1365	1366	1367	1368	1369	1370	1371	1372	1373	1374	1375
45	1392	1393	1394	1395	1396	1397	1398	1399	1400	1401	1402	1403	1404	1405	1406	1407
46	1424	1425	1426	1427	1428	1429	1430	1431	1432	1433	1434	1435	1436	1437	1438	1439
47	1456	1457	1458	1459	1460	1461	1462	1463	1464	1465	1466	1467	1468	1469	1470	1471
48	1488	1489	1490	1491	1492	1493	1494	1495	1496	1497	1498	1499	1500	1501	1502	1503
49	1520	1521	1522	1523	1524	1525	1526	1527	1528	1529	1530	1531	1532	1533	1534	1535
50	1552	1553	1554	1555	1556	1557	1558	1559	1560	1561	1562	1563	1564	1565	1566	1567
51	1584	1585	1586	1587	1588	1589	1590	1591	1592	1593	1594	1595	1596	1597	1598	1599
52	1616	1617	1618	1619	1620	1621	1622	1623	1624	1625	1626	1627	1628	1629	1630	1631
53	1648	1649	1650	1651	1652	1653	1654	1655	1656	1657	1658	1659	1660	1661	1662	1663

Table 7-10. DLP6500 Pixel Mapping for D_B(x) (continued)

DCLK EDGE	D_B(0)	D_B(1)	D_B(2)	D_B(3)	D_B(4)	D_B(5)	D_B(6)	D_B(7)	D_B(8)	D_B(9)	D_B(10)	D_B(11)	D_B(12)	D_B(12)	D_B(14)	D_B(15)
54	1680	1681	1682	1683	1684	1685	1686	1687	1688	1689	1690	1691	1692	1693	1694	1695
55	1712	1713	1714	1715	1716	1717	1718	1719	1720	1721	1722	1723	1724	1725	1726	1727
56	1744	1745	1746	1747	1748	1749	1750	1751	1752	1753	1754	1755	1756	1757	1758	1759
57	1776	1777	1778	1779	1780	1781	1782	1783	1784	1785	1786	1787	1788	1789	1790	1791
58	1808	1809	1810	1811	1812	1813	1814	1815	1816	1817	1818	1819	1820	1821	1822	1823
59	1840	1841	1842	1843	1844	1845	1846	1847	1848	1849	1850	1851	1852	1853	1854	1855
60	1872	1873	1874	1875	1876	1877	1878	1879	1880	1881	1882	1883	1884	1885	1886	1887
61	1904	1905	1906	1907	1908	1909	1910	1911	1912	1913	1914	1915	1916	1917	1918	1919
62	Not visible															
63																

7.4.1.1 Data and Command Write Cycle

Once initialization completes (INIT_ACTIVE = 0), the user is free to send bit plane data and control information to the DLPC910. The row write cycle begins with the assertion of DVALID. DVALID, all bit plane data, and all DMD control information must be presented to the DLPC910 synchronous to the input clock DCLKIN. When the user asserts a DVALID signal, the DLPC910 begins sampling the LVDS data inputs and control inputs and synchronously sends this information to the DMD along with row address control information.

The DMD incorporates single row write operations using a row address counter that is randomly addressable. The Row Mode and Row address must be presented synchronous to the DCLKIN at this beginning of each row cycle. As shown in [Table 7-1](#) and [Table 7-2](#), ROWMD(1:0) determines the single row write count mode and ROWAD(10:0) determines the single row write address. ROWMD and ROWAD must be asserted synchronously with DVALID and must be valid synchronous to the beginning of the bit plane data as shown in [Figure 7-6](#).

[Figure 7-6](#) shows an example of data written to the DLPC910 for two **consecutive** row cycles. This diagram applies to the DLPC910 for all compatible DMDs with a difference between DMD bus widths and number of clock cycles per row. For the DLP9000X/DLP9000XUV DMDs, data is written to the DLPC910 64 bits on each clock edge (16 Bus A bits + 16 Bus B bits + 16 Bus C bits + 16 Bus D bits) for 20 clock cycles (N=40) to complete one row cycle. For the DLP6500 DMD, only Bus A and Bus B are used (32 bits total) for 32 clock cycles (N=64) to complete one row cycle. An entire row of data must be written for data to be properly latched into the DMD memory. To complete the first row cycle (k), DVALID should be de-asserted (logic '0') two full clock cycles prior to the completion of the row cycle. The assertion of DVALID back high ('1') indicates the beginning of the next row cycle (k+1). For non-consecutive row cycles, keep DVALID low until the next row cycles is to begin, at which point DVALID should be taken high to start the next row cycle. This is for all row cycle operations including No-Op row cycles.

Note

Setting DVALID to LOW for the last clock cycle does not affect data read in the last two clock transitions. The firmware will finish the correct number data reads from DIN_(A/B/C/D) for the specific DMD, started by the rising edge of DVALID at the beginning of the row cycle.

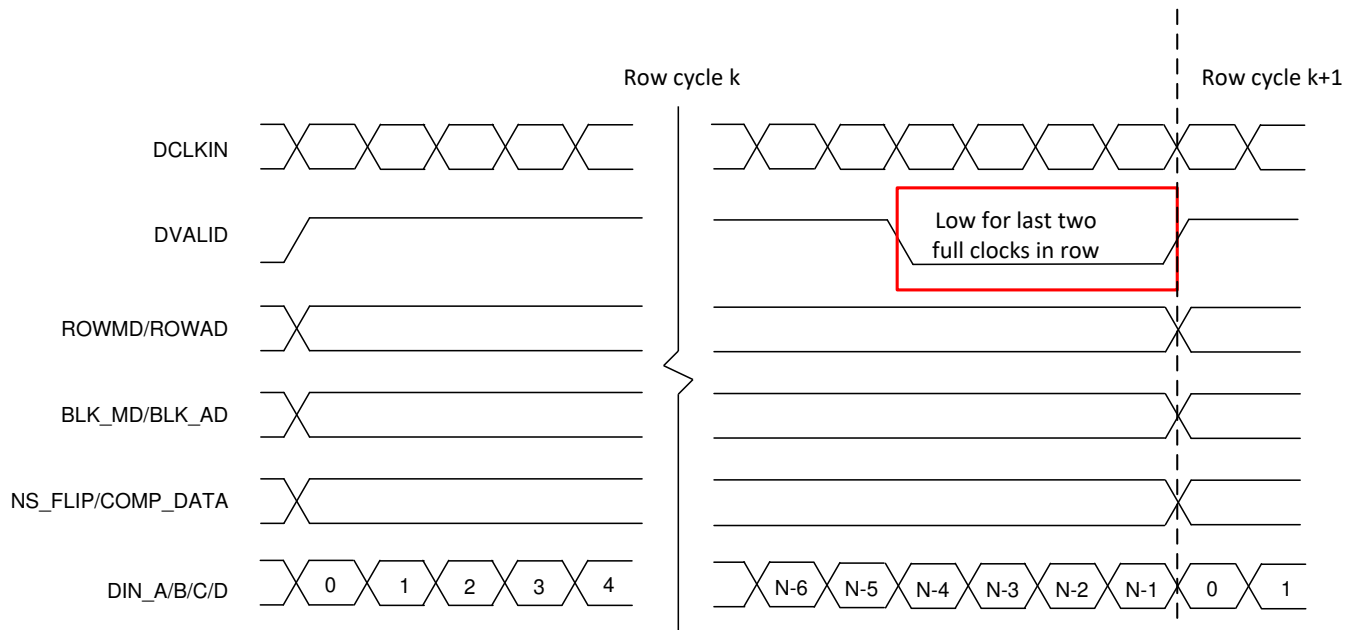


Figure 7-6. DLPC910 Input Consecutive Single Row Write Cycles

7.4.2 Block Mode Operation

The DMD mirrors and corresponding SRAM pixels are organized into blocks and each block is broken into rows per BLK as described in Table 7-11. Mirror blocks are addressed for either the *Mirror Clocking Pulse* or *Block Clear* functions by asserting block control signals at the start of each row data load. RST2BLKZ, BLKMD and BLKAD are used as shown in Table 7-12 to designate which mirror block(s) is to be issued a MCP or a Block Clear. Refer to *Related Documentation* for the DMD datasheet regarding block location information.

- The clear operation sets all of the SRAM pixels in the designated block to logic zero during the current row cycle.
- It is possible to issue a MCP to a block while loading a different block.
- It is not possible to clear a block while writing to a different block.
- It is not necessary to clear a block if it is going to be reloaded with new data (just like a normal memory cell).
- It is recommended that RST2BLKZ, COMP, and NS_FLIP be set to one value and not adjusted during normal system operation.
- A change in RST2BLKZ is not immediately effective and will require more than one row load cycle to complete.

Note

RST2BLKZ needs to be kept low during initialization for proper setup of the system. Dynamic changes to RST2BLKZ during normal operation are not recommended.

Table 7-11. DMD Characteristics

TYPE	COLS	ROWS	BLKS	ROWS PER BLK	CLKS PER ROW	#DATA IN	Required Output LVDS Buses	Required Input LVDS Buses
DLP9000X - 0.9 WQXGA Type A	2560	1600	16	100	20	64	A, B, C, and D	A, B, C, and D
DLP9000XUV - 0.9 WQXGA Type A	2560	1600	16	100	20	64	A, B, C, and D	A, B, C, and D

Table 7-11. DMD Characteristics (continued)

TYPE	COLS	ROWS	BLKS	ROWS PER BLK	CLKS PER ROW	#DATA IN	Required Output LVDS Buses	Required Input LVDS Buses
DLP6500 - 0.65 1080p Type A and S600	1920	1080	15	72	32	32	A and B ⁽¹⁾ or C and D	A and B

- (1) By default data and serial control outputs are active on buses A and B. Refer to [Section 7.5.1.9](#) to activate data and serial control outputs on buses C and D.

Table 7-12. Block Operations

RST2BKLZ	BLKMD_1	BLKMD_2	BLKAD_3	BLKAD_2	BLKAD_1	BLKAD_0	OPERATION
X	0	0	X	X	X	X	None
X	0	1	0	0	0	0	Clear block 00
X	0	1	0	0	0	1	Clear block 01
X	0	1	0	0	1	0	Clear block 02
X	0	1	0	0	1	1	Clear block 03
X	0	1	0	1	0	0	Clear block 04
X	0	1	0	1	0	1	Clear block 05
X	0	1	0	1	1	0	Clear block 06
X	0	1	0	1	1	1	Clear block 07
X	0	1	1	0	0	0	Clear block 08
X	0	1	1	0	0	1	Clear block 09
X	0	1	1	0	1	0	Clear block 10
X	0	1	1	0	1	1	Clear block 11
X	0	1	1	1	0	0	Clear block 12
X	0	1	1	1	0	1	Clear block 13
X	0	1	1	1	1	0	Clear block 14
X	0	1	1	1	1	1	Clear block 15 ⁽¹⁾
X	1	0	0	0	0	0	Reset block 00
X	1	0	0	0	0	1	Reset block 01
X	1	0	0	0	1	0	Reset block 02
X	1	0	0	0	1	1	Reset block 03
X	1	0	0	1	0	0	Reset block 04
X	1	0	0	1	0	1	Reset block 05
X	1	0	0	1	1	0	Reset block 06
X	1	0	0	1	1	1	Reset block 07
X	1	0	1	0	0	0	Reset block 08
X	1	0	1	0	0	1	Reset block 09
X	1	0	1	0	1	0	Reset block 10
X	1	0	1	0	1	1	Reset block 11
X	1	0	1	1	0	0	Reset block 12
X	1	0	1	1	0	1	Reset block 13
X	1	0	1	1	1	0	Reset block 14
X	1	0	1	1	1	1	Reset block 15 ⁽¹⁾
0	1	1	0	0	0	0	Reset blocks 00-01
0	1	1	0	0	0	1	Reset blocks 02-03
0	1	1	0	0	1	0	Reset blocks 04-05
0	1	1	0	0	1	1	Reset blocks 06-07
0	1	1	0	1	0	0	Reset blocks 08-09
0	1	1	0	1	0	1	Reset blocks 10-11
0	1	1	0	1	1	0	Reset blocks 12-13
0	1	1	0	1	1	1	Reset blocks 14-15
1	1	1	0	0	0	X	Reset blocks 00-03

Table 7-12. Block Operations (continued)

RST2BLKZ	BLKMD_1	BLKMD_2	BLKAD_3	BLKAD_2	BLKAD_1	BLKAD_0	OPERATION
1	1	1	0	0	1	X	Reset blocks 04-07
1	1	1	0	1	0	X	Reset blocks 08-11
1	1	1	0	1	1	X	Reset blocks 12-15
X	1	1	1	0	X	X	Reset blocks 00-15
X	1	1	1	1	X	X	Float blocks 00-15

(1) Not applicable on DLP6500.

7.4.3 Block Clear

The DMD incorporates block clear operations using the BLKMD and BLKAD signals as shown in [Table 7-12](#). The block address does not automatically increment and must be set to the desired block to be cleared. The Block clear operation writes logic zero data to all the SRAM cells in one DMD block regardless of the COMP_DATA input state. It is not possible to clear a DMD block while writing to a different block. BLKMD and BLKAD are asserted to perform a MCP on the block(s) that have been cleared. The customer interface should introduce a delay on the last block(s) that were issued a MCP to allow the mirrors to become stable. **Each Block Clear operation must be followed by two no-op row load cycles.** For the DLP9000X/DLP9000XUV there are 16 total Block Clear commands and 32 total no-op row cycles that are required to clear the entire DMD array. For the DLP6500 there are 15 total Block Clear commands and 30 total no-op row cycles that are required to clear the entire DMD array.

7.4.4 Mirror Clocking Pulse

A Mirror Clocking Pulse (MCP) sequence begins by asserting BLKMD and BLKAD for a single, dual, quad, or global block operation as defined in [Table 7-12](#). A MCP causes a reset on the block(s), and the data stored in the block(s) takes effect on the mirrors of the DMD. Shortly after a MCP has been issued, RST_ACTIVE goes high for approximately 4 μs, indicating a MCP operation is in progress. During this time, no additional MCPs may be initiated until RST_ACTIVE returns low. RST_ACTIVE does not return to low unless continuous no-op or data loading row cycles are issued. A typical single block load phased sequence in which consecutive DMD blocks are loaded is illustrated in [Figure 7-8](#). A MCP time is identical for single, dual, quad or global block operations.

Note that it may take longer to complete a MCP on a block than it does to load a block. The block load time may be calculated as:

$$\text{Block Load Time} = \text{Clock Period} \times \text{number CLKS per ROW} \times \text{number ROWS per BLK}$$

Table 7-13. DMD Block Load Time

DMD	MINIMUM BLOCK LOAD TIME	DCLKIN (MHz)
DLP9000X	4.167 μsec	480
DLP9000XUV	4.167 μsec	480
DLP6500	5.76 μsec	400

For any case which involves sending a MCP or a Block Clear without data loading, the customer interface must send no-op row cycles. This can be accomplished by asserting DVALID, while holding ROWMD at 00 and BLKMD at 00 for the number of clocks per row in the DMD, as in [Figure 7-7](#). Refer to [Table 7-11](#) to obtain the number of clocks per row. Following the loading of all rows in a block or the entire DMD, at least one no-op row cycle must be completed to initiate the MCP. If the MCP is asserted prior to loading all rows in a block or the entire DMD, rows which were not updated will show old data. Additional MCP operations may not be initiated until RST_ACTIVE is low. Block Clear operations for the DMD must be followed by two consecutive no-op row cycle commands.

To obtain full utilization of the DMD bandwidth, load four blocks and then issue a MCP to the four blocks concurrently by setting RST2BLKZ to 1 and BLKMD to 11 with the appropriate address in BLKAD. This is illustrated in [Figure 7-10](#).

It is possible to load other blocks while the block(s) previously issued a MCP is settling. This is illustrated in [Figure 7-9](#) and [Figure 7-10](#), where blocks are reloaded while the mirror settling time is occurring. It is also possible to load other blocks while previously loaded block(s) have an outstanding RST_ACTIVE. This is illustrated in [Figure 7-10](#), where block 0 is loaded while RST_ACTIVE is asserted for blocks 12-15.

Note

While RST_ACTIVE is high for 4 μ s, the data for the block(s) being issued a MCP should not be changed to allow the mirrors to become stable. The RST_ACTIVE does not include the mirror settling period. A short delay of 6 μ s should be introduced during the last block(s) that is issued a MCP. The mirror settling time is illustrated in [Figure 7-8](#), [Figure 7-9](#), [Figure 7-10](#), and [Figure 7-11](#), where the customer interface introduces a delay on the last block(s) that were issued a MCP to allow the mirrors to become stable.

[Figure 7-8](#), [Figure 7-9](#), [Figure 7-10](#), and [Figure 7-11](#) all show an exposure period. Once the customer interface has issued all required MCPs and the proper mirror settling time has been applied, the customer interface may pulse an illumination source onto the DMD during this period. The exposure period is user adjustable; however, increasing the exposure period decreases the pattern rate. Refer to [Application Curves](#) regarding exposure period.

[Figure 7-7](#), [Figure 7-8](#), [Figure 7-9](#), [Figure 7-10](#), and [Figure 7-11](#) show timing for the DLP9000X/DLP9000XUV. Refer to [Table 7-11](#) to obtain the number of reset blocks and clocks per row for the DLP6500 DMD.

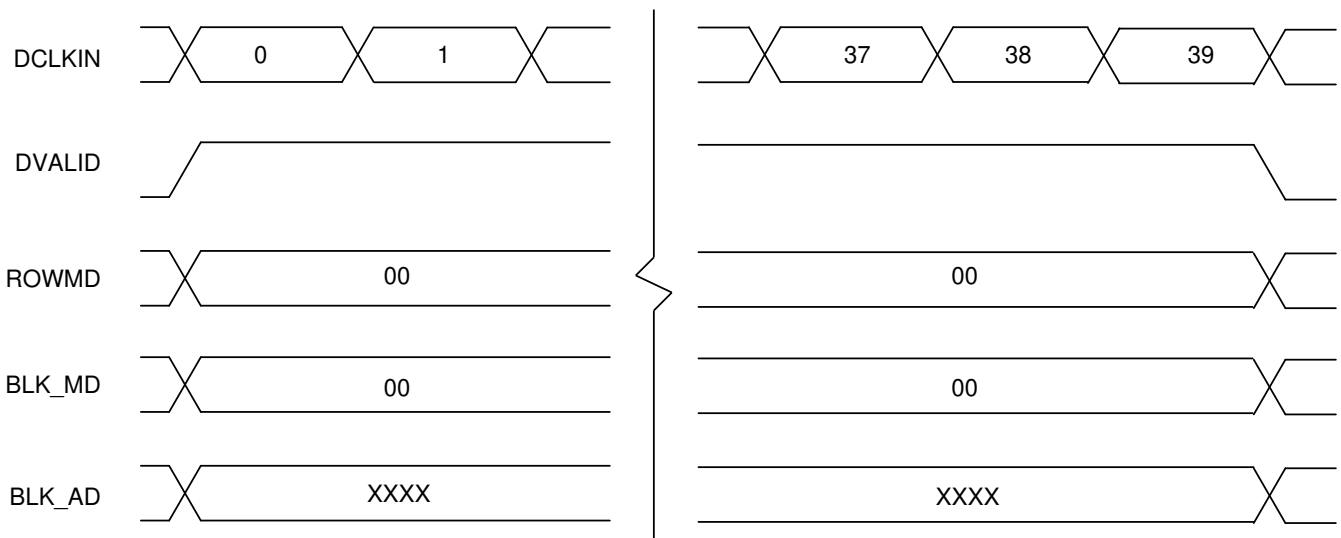


Figure 7-7. DMD No-op Row Cycle

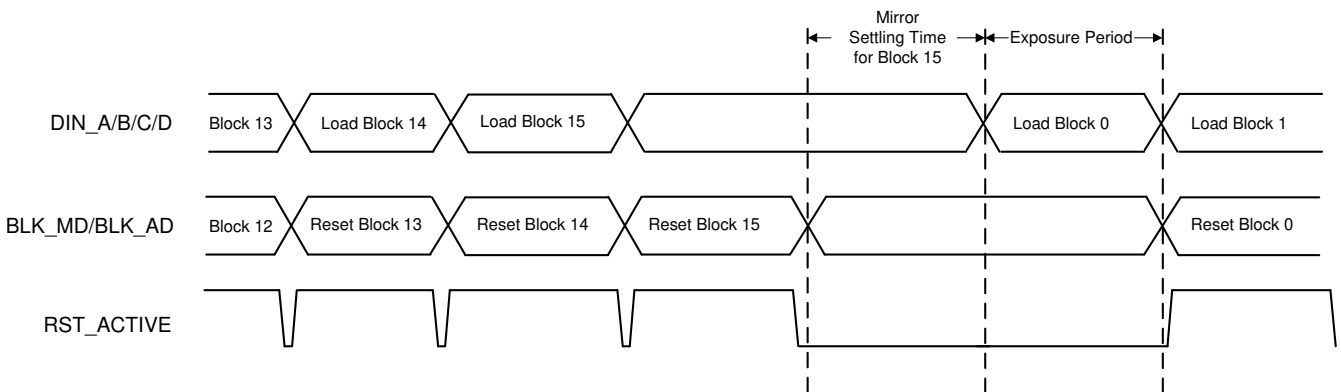


Figure 7-8. Single Block Load Phased Sequence

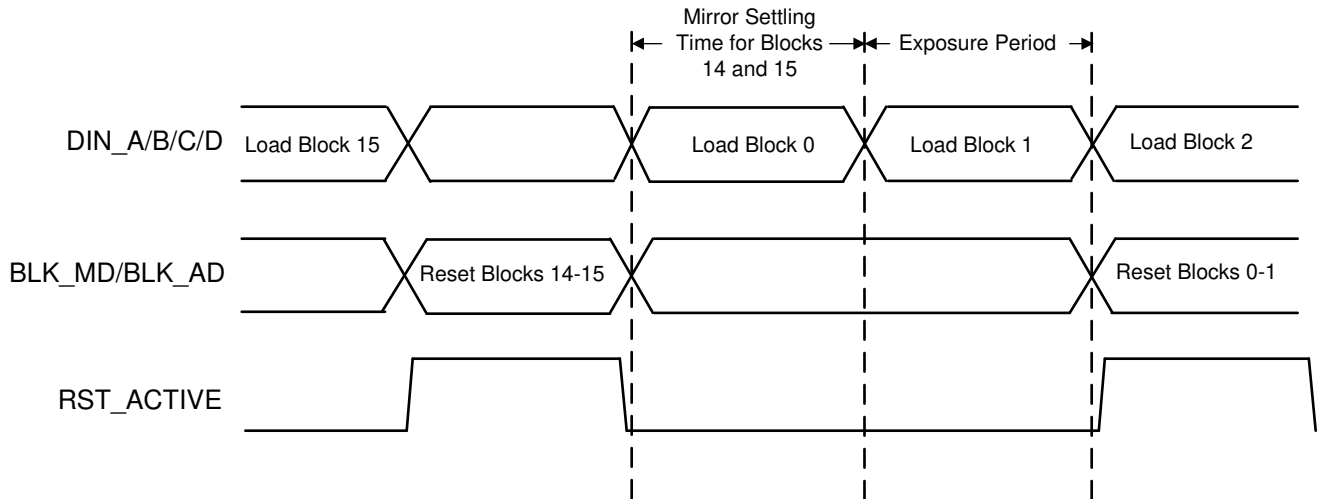


Figure 7-9. Dual Block Load Phased Sequence

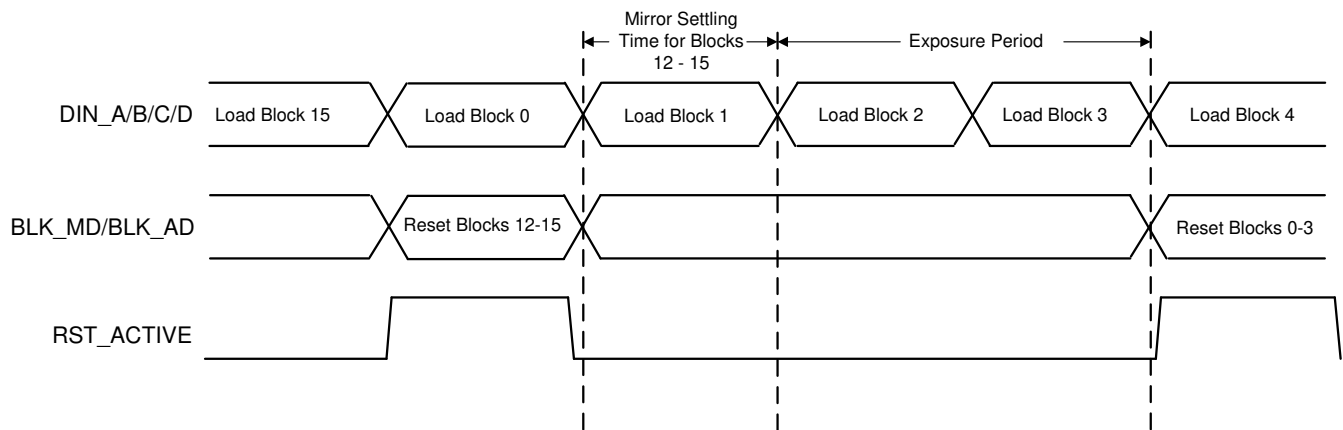


Figure 7-10. Quad Block Load Phased Sequence

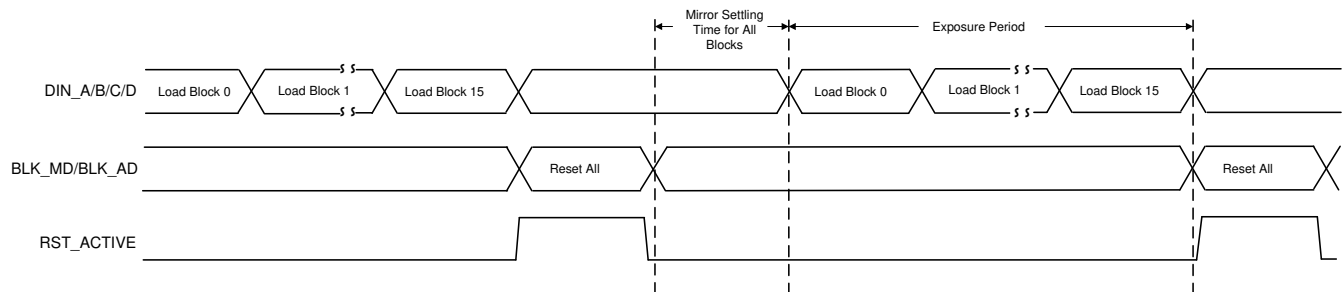


Figure 7-11. Full DMD Global Load Sequence

Note: After a MCP or Block Clear command is given, RST_ACTIVE may not be asserted until up to 60 ns (depending on the clock frequency) after the command. While RST_ACTIVE is asserted, no other command should be given.

7.4.5 DMD Array Subset

It is possible to use a subset of the DMD array including individual MCP blocks. The driving software/hardware MUST ensure that the MCP rate for the number of blocks in the subset plus the mirror settling time does not exceed 50 kHz.

Load4 functionality is primarily intended to be used with global MCPs. However, it is possible to use a subset of the DMD array including individual MCP blocks. The driving software/hardware MUST ensure that the MCP rate for the number of blocks in the Load4 subset plus the mirror settling time does not exceed 50 kHz.

7.4.6 Global Mirror Clocking Pulse Consideration

A Global MCP (BLKMD = 11 and BLKAD = 10XX), takes the same amount of time as the single, dual, and quad block MCP. In addition to requiring a no-op row cycle to initiate a global MCP, a row cycle (either no-op or data loading) is also required to complete the operation. If the customer interface is monitoring RST_ACTIVE to determine when to send a subsequent row cycle, it will never see RST_ACTIVE transition low. One method of operation would be to continue sending no-op row cycles until RST_ACTIVE goes low then continue loading data with real row cycles. Another method of operation is to delay greater than 10 μ s, then start loading new data to DMD.

7.5 Register Map

7.5.1 Register Table Overview

Table 7-14 lists the I²C accessible memory mapped registers for the DLPC910. Access to the I²C registers should not begin until INIT_ACTIVE has transitioned low (logic 0).

Table 7-14. Communication Registers

ADDRESS	REGISTER NAME	DESCRIPTION	SIZE
0x0000 0x0004 0x0008	DESTOP_INTERRUPT	DESTOP Interrupt Status	32
0x000C	MAIN_STATUS	Main Status	32
0x0010	DESTOP_CAL	DESTOP input calibration status	32
0x0014	DESTOP_DMD_ID_REG	Connected DMD Type	32
0x0018	DESTOP_CATBITS_REG	Connected DMD fuse catalog bits	32
0x001C	DESTOP_910VERSION_REG	DLPC910 Version Number	32
0x0020	DESTOP_RESET_REG	Reset status signals	32
0x0024	DESTOP_INFIFO_STATUS	Input interface FIFO status	32
0x0028	DESTOP_BUS_SWAP	Output bus swap	32
0x002C	DESTOP_DMDCTRL	DMD Control Register	32
0x0030	DESTOP_BIT_FLIP	Output data bus bit reversal/flip	32

7.5.1.1 DESTOP_INTERRUPT Register

The DESTOP_INTERRUPT register is used for controlling the interrupt source. Interrupts can be enabled, disabled, cleared and read independently.

Table 7-15. DESTOP_INTERRUPT Register

ADDRESS ⁽¹⁾ ⁽²⁾ ⁽³⁾ ⁽⁴⁾	BITS	DESCRIPTION	RESET	TYPE
0x0000 0x0004 0x0008	0	SPARE	0x0	R/W
	1	SPARE	0x0	R
	2	A DMD IRQZ event occurred. The only existing source for this event is a DMD power fault indicating bias, offset, or reset power supplies have become inactive. The cause of the fault should be determined and resolved prior to a system reset to continue operation. ⁽⁵⁾	0x0	R/W
	3	SPARE	0x0	R
	31:4	UNUSED	0x0	R

- (1) Interrupt status can be obtained by reading 0x0000 or 0x0004 address.
- (2) Interrupt bits are asserted either by the corresponding H/W events or by S/W writing a 1 to the target bit of 0x0004 address.
- (3) Interrupt bits are cleared by S/W writing a 1 to the target bit in 0x0000 address.
- (4) Interrupts are enabled by setting the appropriate bits in register 0x0008.
- (5) This bit must be cleared after a power cycle or a reset to the DLPC910.

7.5.1.2 MAIN_STATUS Register

The MAIN_STATUS register is used for reading the status of the DLPC910. The register can be polled during operation to obtain the current state of the DLPC910.

Table 7-16. MAIN_STATUS Register

ADDRESS	BITS	DESCRIPTION	RESET	TYPE
0x000C	0	DMD initialization in progress flag	0x0	R
		0 - No DMD initialization activity		
		1 - DMD initialization in progress		
	1	DMD initialization in progress flag 1	0x0	R
		0 - No DMD stage 1 initialization activity		
		1 - DMD stage 1 initialization activity in progress		
	2	DMD initialization in progress flag 2	0x0	R
		0 - No DMD stage 2 initialization activity		
		1 - DMD stage 2 initialization activity in progress		
	3	DMD supports AB channels	0x0	R
		0 - Operation of DMD AB buses not enabled		
		1 - Operation of DMD AB buses enabled		
	4	DMD supports CD channels	0x0	R
		0 - Operation of DMD CD buses not enabled		
		1 - Operation of DMD CD buses enabled		
	5	Input interface calibration in progress	0x0	R
		0 - Input interface calibration inactive		
		1 - Input interface calibration in progress		
	6	DVALID alignment on interface A ok	0x0	R
		0 - DVALID alignment invalid on channel A		
		1 - DVALID alignment correct on channel A		
	7	DVALID alignment on interface B ok	0x0	R
		0 - DVALID alignment invalid on channel B		
		1 - DVALID alignment correct on channel B		
	8	DVALID alignment on interface C ok	0x0	R
		0 - DVALID alignment invalid on channel C		
		1 - DVALID alignment correct on channel C		
	9	DVALID alignment on interface D ok	0x0	R
		0 - DVALID alignment invalid on channel D		
		1 - DVALID alignment correct on channel D		
	10	System PLL locked flag	0x0	R
0 - PLL not locked				
1 - PLL locked				
11	Reference PLL locked flag	0x0	R	
	0 - PLL not locked			
	1 - PLL locked			
31:12	UNUSED	0x0	R	

7.5.1.3 DESTOP_CAL Register

The DESTOP_CAL register is used for reading the calibration state of the LVDS input buses of the DLPC910. The calibration occurs during the initialization after power is applied to the DLPC910.

Table 7-17. DESTOP_CAL Register

ADDRESS	BITS	DESCRIPTION	RESET	TYPE
0x0010	0	Input Channel A Calibration complete:	0x0	R
		0 - Channel A Calibration in progress		
		1 - Channel A Calibration complete		
	1	Input Channel B Calibration complete:	0x0	R
		0 - Channel B Calibration in progress		
		1 - Channel B Calibration complete		
	2	Input Channel C Calibration complete:	0x0	R
		0 - Channel C Calibration in progress		
		1 - Channel C Calibration complete		
	3	Input Channel D Calibration complete:	0x0	R
		0 - Channel D Calibration in progress		
		1 - Channel D Calibration complete		
		31:04:00	UNUSED	0x0

7.5.1.4 DESTOP_DMD_ID_REG Register

The DESTOP_DMD_ID_REG register is used for reading the identification of the DMD Type connected to the DLPC910. If the DLPC910 determines the DMD is not supported, the DLPC910 will halt all operations. See [Table 7-4](#) for more information on valid DMD types.

Table 7-18. DESTOP_DMD_ID_REG Register

ADDRESS	BITS	DESCRIPTION	RESET	TYPE
0x0014	3:0	Read-only register containing the DMD Type as provided on input pins DMD_TYPE_[3:0]	0x0	R
	31:4	UNUSED	0x0	R

7.5.1.5 DESTOP_CATBITS_REG Register

The DESTOP_CATBITS_REG register is used for reading the remainder of identification of the DMD connected to the DLPC910. If the DLPC910 determines the DMD is not supported, the DLPC910 will halt all operations.

Table 7-19. DESTOP_CATBITS_REG Register

ADDRESS	BITS	DESCRIPTION	RESET	TYPE
0x0018	3:0	Read-only register containing the 4 remaining ID bits of the connected DMD.	0x0	R
	31:4	UNUSED	0x0	R

7.5.1.6 DESTOP_VERSION Register

The DESTOP_VERSION is used for obtaining the DLPC910 PROM configuration program version.

Table 7-20. DESTOP_VERSION Register

ADDRESS	BITS	DESCRIPTION (Read-only register of the DLPC910 version number)	RESET	TYPE
0x001C	3:0	Major	0x1	R
	7:4	Minor	0x0	R
	15:8	Revision	0x0	R

Table 7-20. DESTOP_VERSION Register (continued)

ADDRESS	BITS	DESCRIPTION (Read-only register of the DLPC910 version number)	RESET	TYPE
	31:16	UNUSED	0x0	R

The Major version identifier bits "DESTOP_VERSION(2:0)" are also mirrored on the hardware output bits [DDC_Version\(2:0\)](#). Since the DLPC910 firmware is configured by the binary data from the DLPR910 PROM at power up/initialization, the version identifiers for each revision are found in the DLPR910 datasheet. See the DLPR910 datasheet for more information on the DDC_VERSION and DESTOP_VERSION expected values.

7.5.1.7 DESTOP_RESET_REG Register

The DESTOP_RESET_REG register is used for reading the current state of the MCP. Reading this register while the DLPC910 is loading data to the DMD may always indicate a “1”. It is best to monitor the actual RST_ACTIVE output signal of the DLPC910 to obtain the real state of the MCP.

Table 7-21. DESTOP_RESET_REG Register

ADDRESS	BITS	DESCRIPTION	RESET	TYPE
0x0020	0	RESET Operation in progress bit: (Mirror clocking pulse) 0 - Reset inactive 1 - Reset active	0x0	R
	31:1	UNUSED	0x0	R

7.5.1.8 DESTOP_INFIFO_STATUS Register

The DESTOP_INFIFO_STATUS register is used for validating there is data in the input bus FIFO buffers. An empty FIFO buffer may indicate that the DVALID is not properly set for the data on the input data bus.

Table 7-22. DESTOP_INFIFO_STATUS Register

ADDRESS	BITS	DESCRIPTION	RESET	TYPE
0x0024	0	Channel A input FIFO status: 0 - Channel A FIFO has data 1 - Channel A FIFO is empty	0x0	R
	1	Channel B input FIFO status: 0 - Channel B FIFO has data 1 - Channel B FIFO is empty	0x0	R
	2	Channel C input FIFO status: 0 - Channel C FIFO has data 1 - Channel C FIFO is empty	0x0	R
	3	Channel D input FIFO status: 0 - Channel D FIFO has data 1 - Channel D FIFO is empty	0x0	R
	31:4	UNUSED	0x0	R

7.5.1.9 DESTOP_BUS_SWAP Register

The DESTOP_BUS_SWAP register is used for configuring the DLPC910 output LVDS buses to the DMD. To simplify board layout design, swapping the buses may reduce routing constraints. If the buses are swapped in hardware, then the appropriate setting that matches the hardware must be set after a power cycle or a reset to the DLPC910.

Table 7-23. DESTOP_BUS_SWAP Register

ADDRESS	BITS	DESCRIPTION	RESET	TYPE
0x0028	0	Enables Bus swap for A and B output DMD buses. SCTRLs for A and B output buses are also swapped. 0 = un-swapped (default) 1 = swapped	0x0	R/W
	1	Enables Bus swap for C and D output DMD buses. SCTRLs for C and D output buses are also swapped. 0 = un-swapped (default) 1 = swapped	0x0	R/W
	3:2	UNUSED	0x0	R
	7-4	UNUSED	0x0	R
	8	Enable data and serial control output on buses. Valid only when DLPC910 is connected to a DLP6500 DMD. 0 = A and B active (default). C and D are deactivated. 1 = C and D active. A and B are deactivated.	0x0	R/W
	31:9	UNUSED	0x0	R

7.5.1.10 DESTOP_DMDCTRL Register

The DESTOP_DMDCTRL register can be used in place of the external DLPC910 control inputs to control the functions described. Bit-0 must be set to “1” to gain control of the functions. Bit-5 is available regardless of the state of bit-0.

Table 7-24. DESTOP_DMDCTRL Register

ADDRESS	BITS	DESCRIPTION ⁽¹⁾	RESET	TYPE
0x002C	0	Enables DMD control of the functions that are normally controlled on external pins. 0 = Controlled from external pins (default) 1 = Controlled from the I ² C interface	0x0	R/W
	1	NS_FLIP. Sets the orientation of the top and bottom of the DMD. 0 = Un-flipped (default) 1 = Flipped	0x0	R/W
	2	DATA_COMP. Sets a DMD mode that inverts all of the incoming data. 0 = Normal (default) 1 = Data is inverted at the DMD	0x0	R/W
	3	LOAD_FOUR. Activates the Load4 function of the DMD. Each row written is loaded to 4 consecutive locations. 0 = Load4 mode is active 1 = Normal (default)	0x1	R/W
	4	RST2BLKZ. Activates the RST2BLKZ function of the DMD. Refer to Table 7-12 for setting RST2BLKZ.	0x1	R/W

(1) When bit 0 is set to 1, bits 1, 2, 3, and 4 override their respective external control inputs.

7.5.1.11 DESTOP_BIT_FLIP Register

The DESTOP_BIT_FLIP register is used for configuring the DLPC910 output LVDS buses to the DMD. To simplify board layout design, flipping individual buses may reduce routing constraints. If the buses are flipped in hardware, then the appropriate setting that matches the hardware must be set after a power cycle or a reset to the DLPC910.

Table 7-25. DESTOP_BIT_FLIP Register

ADDRESS	BITS	DESCRIPTION	RESET	TYPE
0x0030	0	Reverses the Data bits for bus A (b'15 = b'0, b'0 = b'15) 0 = un-flipped (default) 1 = flipped	0x0	R/W
	1	Reverses the Data bits for bus B (b'15 = b'0, b'0 = b'15) 0 = un-flipped (default) 1 = flipped	0x0	R/W
	2	Reverses the Data bits for bus C (b'15 = b'0, b'0 = b'15) 0 = un-flipped (default) 1 = flipped	0x0	R/W
	3	Reverses the Data bits for bus D (b'15 = b'0, b'0 = b'15) 0 = un-flipped (default) 1 = flipped	0x0	R/W
	31:4	UNUSED	0x0	R

8 Application and Implementation

Information in the following applications sections is not part of the TI component specification, and TI does not warrant its accuracy or completeness. TI's customers are responsible for determining suitability of components for their purposes. Customers should validate and test their design implementation to confirm system functionality.

8.1 Application Information

The DLPC910 controller verifies the DMD connected in the application system, uses that information to select appropriate configuration data for the DMD, and then initializes the DMD to ready it for operation.

The DLPC910 controller receives streaming parallel input data and associated syncs from an external applications processor and passes the data on to the DMD with the appropriate DMD timing and control information. It also receives embedded instructions from the applications processor to assist in determination of which DMD rows to load and which DMD mirror blocks to activate at any given moment in time.

8.2 Typical Application

Direct-write digital imaging is regularly used in high-end lithography printing. This mask-less technology offers continuous run of printing by changing the digitally created patterns without stopping the imaging head. The DLPR910 PROM configures the DLPC910 digital controller to reliably operate with the DLP9000X, the DLP9000XUV, or the DLP6500 DMD. These chipset combinations provide an ideal back-end imager that takes in digital images at [2560 × 1600] or [1920 × 1080] resolution to achieve speeds greater than 61 Gigabits per second (Gbps) and 24 Gbps respectively.

8.2.1 High Speed Lithography Application

As high-end lithography pushes the high speed printing envelope, providing a higher resolution imager is a must to achieve the demanding through-put of present and future printing technology. [Figure 8-1](#) and [Figure 8-2](#) show two systems that offer both a speed boost and a four million and two million pixel DMDs. The main chipset components that make up these systems are the DLPC910ZXR, the DLPR910, and one of the DLP9000X, DLP9000XUV, or DLP6500 DMDs. With a few additional discrete components for power regulation and clock circuitry, a compact, and yet high performance design can be achieved.

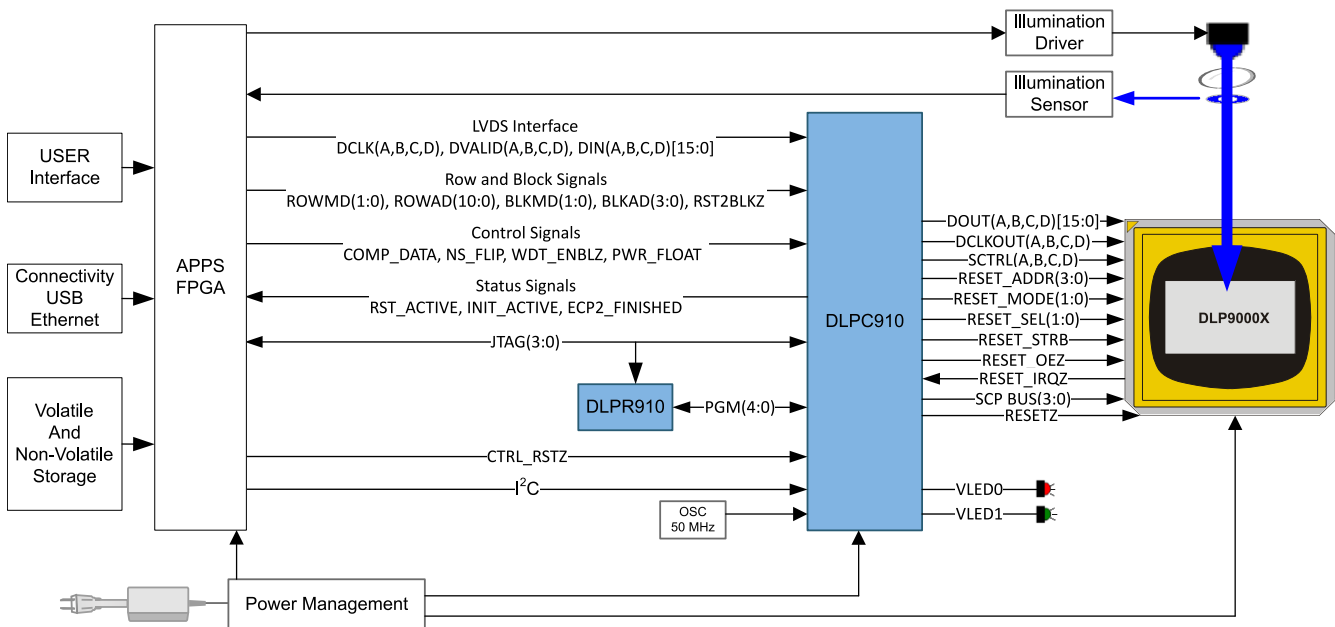


Figure 8-1. Typical DLP9000X/DLP9000XUV High Speed Application

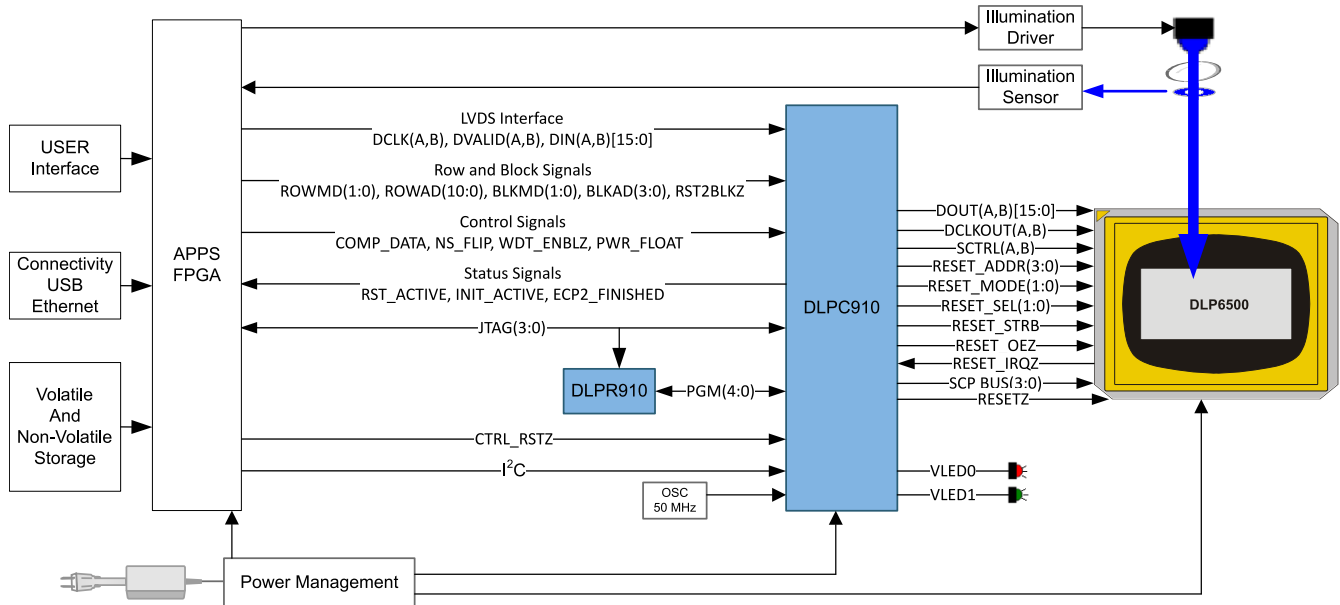


Figure 8-2. Typical DLP6500 High Speed Application

8.2.1.1 Design Requirements

The DLPC910 interface is made up of several buses and controls signals as shown in the following list. The LVDS input buses provide the means of loading data to the DLPC910. The LVDS output buses provide the data to the DMD. Each input and output LVDS bus has an associated clock which clocks the data into the DLPC910 or into the DMD. Row and Block control signals define the type of mirror clock pulse to use after all the data is loaded into the DMD. Refer to [Table 7-11](#) to obtain the required LVDS buses for each DMD supported.

- LVDS differential inputs
 - DDC_DCLK 4 buses
 - DVALID 4 buses
 - DDC_DIN 4 buses
- LVDS differential outputs. Refer to [LVDS Output Bus Skew](#) for recommendations on trace lengths.
 - DDC_DOUT 4 buses
 - DDC_DCLKOUT 4 buses
 - DDC_SCTRL 4 buses
- Control output signals
 - DMD RESET
 - DMD SCP
- Row and Block control input signals
 - ROWMD
 - ROWAD
 - BLKMD
 - BLKAD
 - RST2BLKZ
- Control input signals
 - COMP_DATA
 - NS_FLIP
 - WDT_ENBLZ
 - PWR_FLOAT
 - LOAD4_ENZ
- Status output signals
 - RST_ACTIVE
 - INIT_ACTIVE
 - ECP2_FINISHED
 - DMD_IRQ
- Controller reset
 - CTRL_RSTZ
- DLPR910 interface
 - PGM(4:0)
 - JTAG(3:0)

8.2.1.2 Detailed Design Procedure

After power is applied to the DLPC910, the APPS FPGA should monitor the ECP2_FINISHED signal to determine when the DLPC910 has completed loading the configuration from the DLPR910. The APPS FPGA next monitors the INIT_ACTIVE signal to determine when the DLPC910 has completed its internal initialization routines and has configured the DMD for normal operation. An alternate method is to request the initialization status using the I²C interface. Information regarding initialization, versions, and IDs can be requested through this interface.

Prior to activating the DVALID signals to the DLPC910, the ROWMD, ROWAD, BLKMD, BLKAD, and RST2BLKZ control input signals must be in the desired state for the desired operation to take effect on the DMD. Once the control signals are set, the Apps FPGA activates DVALID and starts loading data using the DDC_DIN and DDC_DCLK buses. After all data is loaded for the desired DMD operation, the DVALID signal is de-asserted, and the BLKMD, BLKAD, and RST2BLKZ control signals are set prior to the assertion of the next DVALID. When DVALID is activated, the MCP causes the prior data to take effect on the mirrors of the DMD. The Apps FPGA should then monitor the RST_ACTIVE pin to determine when the mirror clock pulse has completed in order to perform the next MCP. During the time that the RST_ACTIVE is asserted, the Apps FPGA could be loading data into DMD rows that do not belong to the same block of rows that currently has an outstanding MCP.

8.2.1.3 Application Curves

In these particular applications, the performance plots shown in [Figure 8-3](#) and [Figure 8-4](#) show the maximum loaded and displayed pixels per second when the exposure period is set to its minimum for the different reset modes. When the exposure period is increased, the pixels per second will decrease. Refer to [Mirror Clocking Pulse](#) for more information regarding exposure period.

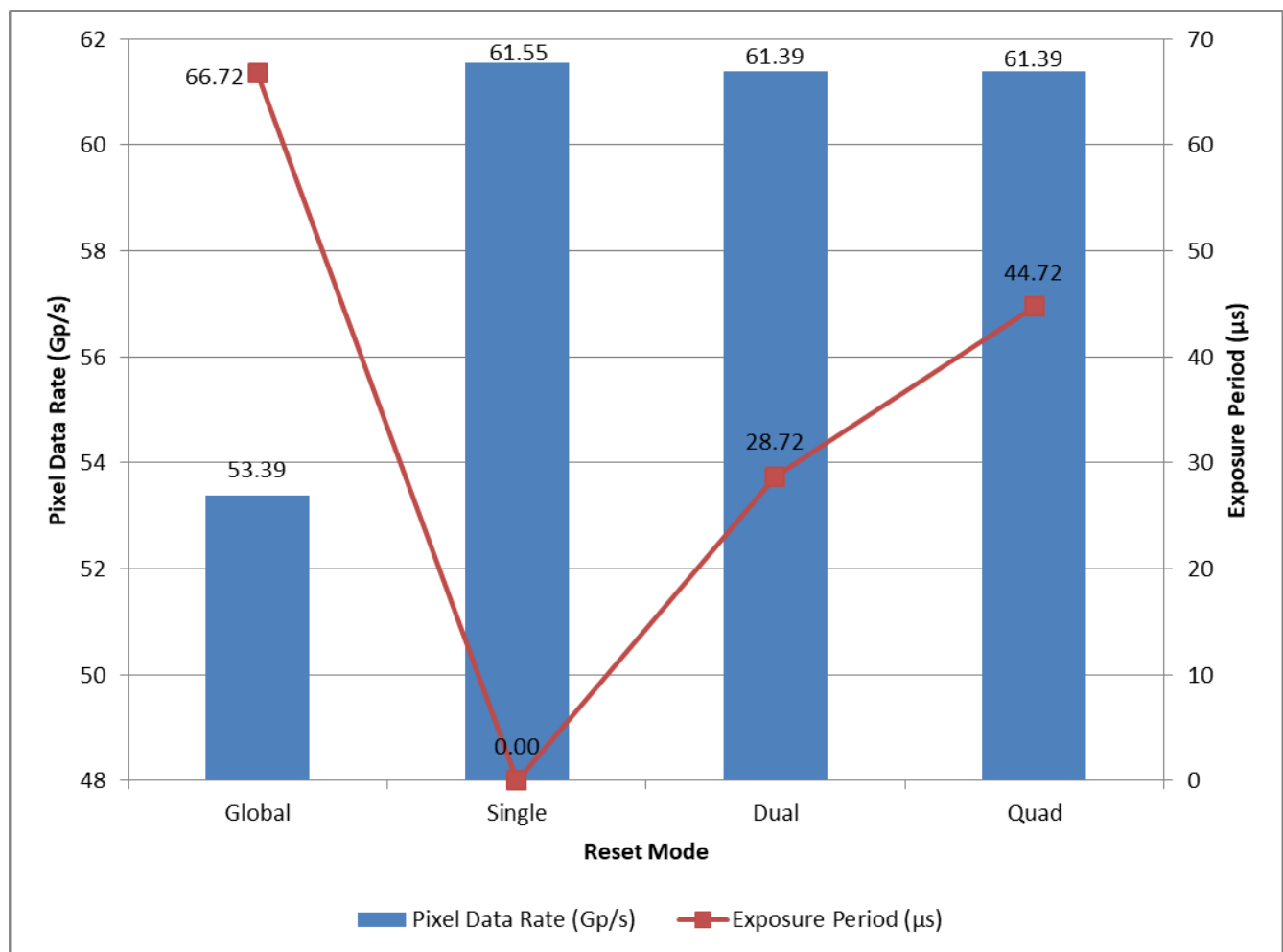


Figure 8-3. DLP9000X/DLP9000XUV Performance Plot at 480 MHz DDC_DCLK

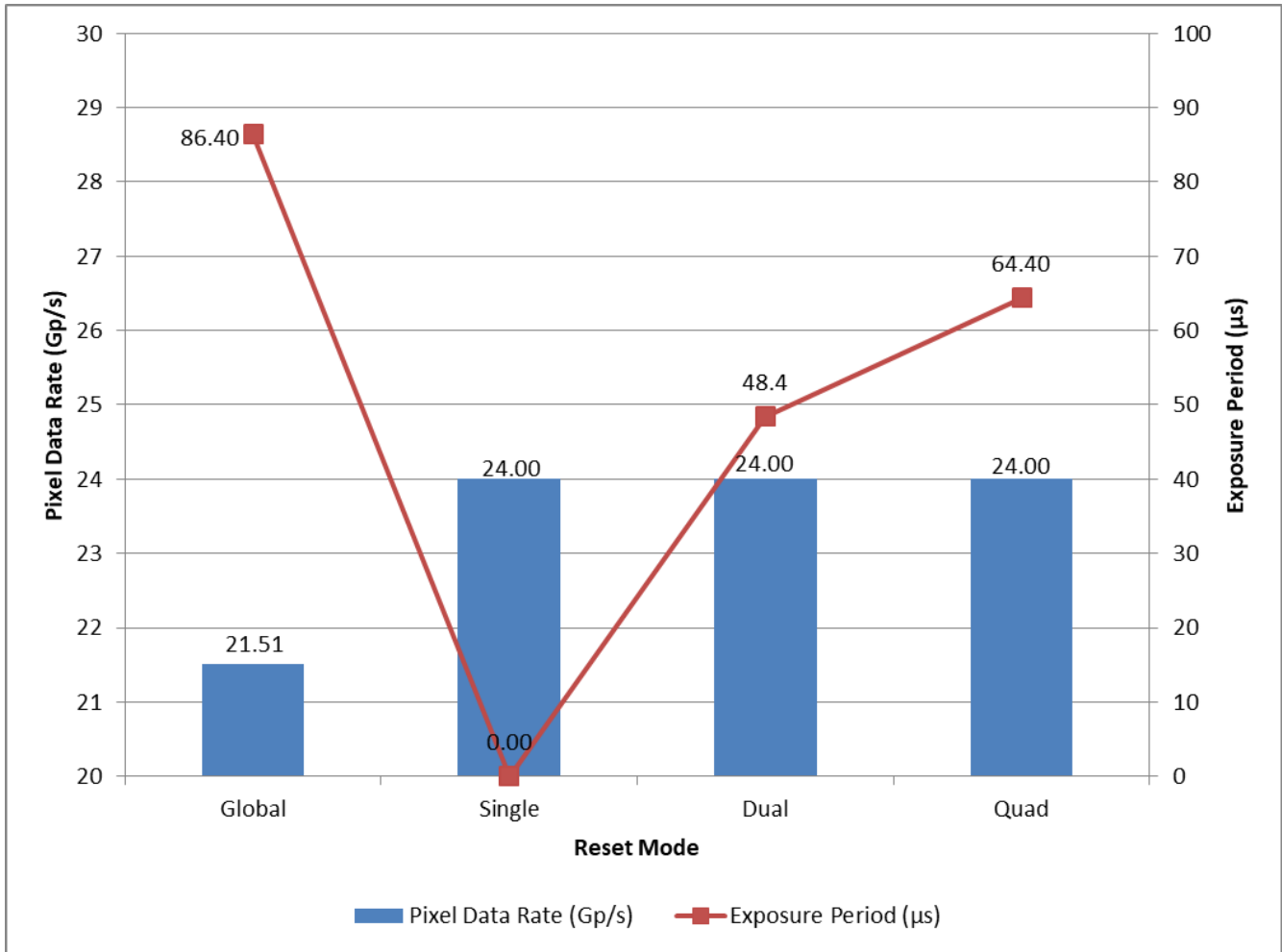


Figure 8-4. DLP6500 Performance Plot at 400 MHz DDC_DCLK

9 Power Supply Recommendations

9.1 Power Supply Distribution and Requirements

The DLPC910, the DLPR910, and one of the DLP9000X, DLP9000XUV, or DLP6500 DMDs are powered by a power distribution method as shown in [Figure 9-1](#). The DMD power inputs will depend on which DMD is being used in the application.

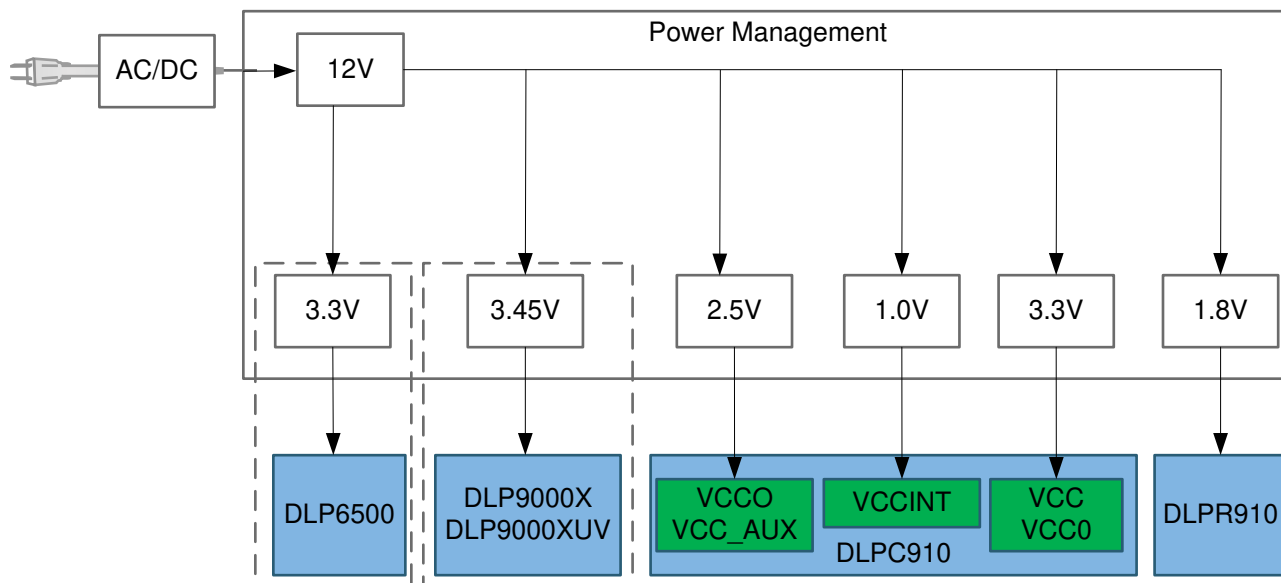


Figure 9-1. Power Distribution

9.2 Power Down Requirements

For correct power down operation of the DMD, the following power down procedure must be executed.

Prior to an anticipated power removal, assert PWR_FLOAT for a minimum of 500 μ s to allow the DLPC910 to complete the power down procedure. This procedure will assure the DMD mirrors are in a flat state. Following this 500 μ s time delay, power can be safely removed from the DLP chipset as shown in [Figure 9-2](#).

In the event of an unanticipated power loss, the power management system must detect the input power loss, assert PWR_FLOAT to the DLPC910, and maintain all operating power levels to the DLPC910 and the DMD for a minimum of 500 μ s to allow the DLPC910 to complete the power down procedure.

To restart after assertion of PWR_FLOAT without removing power, the DLPC910 must be reset by setting CTRL_RSTZ low (logic 0) for 50 ms, and then back to high (logic 1) as shown in [Figure 9-3](#), or power to the DLPC910 must be cycled.

Table 9-1. Power Down Timing Requirements

PARAMETER		MIN	MAX	UNIT
t_{pf}	PWR_FLOAT high time.	500		μ s
t_{cr}	CTRL_RSTZ low time.	50		ms
t_{pc}	Minimum delay from PWR_FLOAT inactive to CTRL_RSTZ active.	0		ms

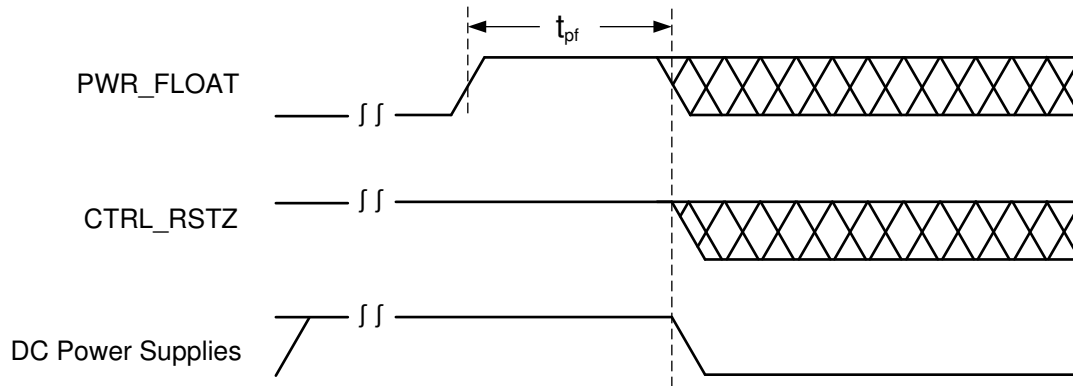


Figure 9-2. Removing Power After Asserting PWR_FLOAT

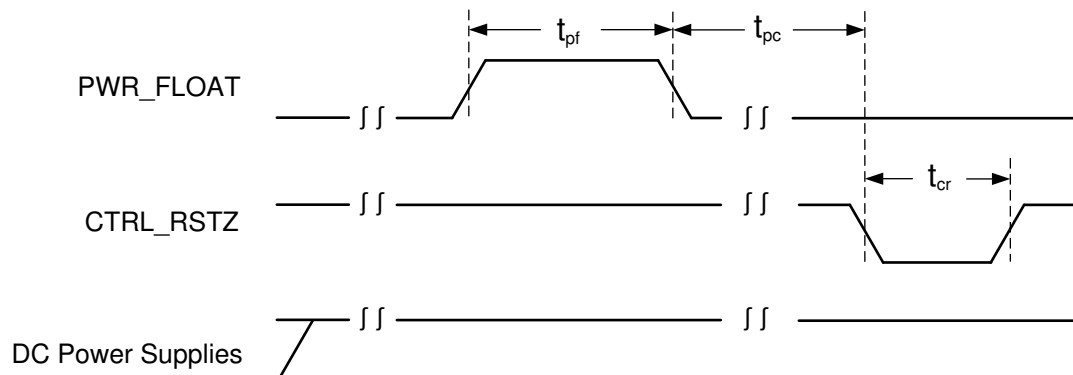


Figure 9-3. Restart Without Removing Power

10 Layout

10.1 Layout Guidelines

One of the most important factors to gain good performance is designing the PCB with the highest quality signal integrity possible. The following PCB design guidelines provide a reference of an interconnect system.

10.1.1 PCB Design Standards

PCBs should be designed and built in accordance with the industry specifications shown in [Table 10-1](#).

Table 10-1. Industry Design Specifications

INDUSTRY SPECIFICATION	APPLICABLE TO
IPC-2221 and IPC2222, Type 3, Class X, at Level B producibility	Board design
IPC-6011 and IPC-6012, Class 2	PWB fabrication
IPC-SM-840, Class 3, Color Green	Finished PWB solder mask
UL94V-0 Flammability Rating and Marking	Finished PWB
UL796 Rating and Marking	Finished PWB

PCB Fabrication:

- Configuration: Asymmetric dual strip-line
- Etch thickness : 1.0-oz copper (1.2 mil)
- Flex etch thickness: 0.5-oz copper (0.6 mil)
- Single-ended signal impedance: 50 Ω ($\pm 10\%$)
- Differential signal impedance: 100 Ω ($\pm 10\%$)

PCB Stack-up:

- Ground planes for proper return path.
- Power planes for proper supply to circuits.
- Dielectric material with a low Loss-Tangent, for example: Hitachi 679gs or equivalent, (Er): 3.8 (nominal).

10.1.2 Signal Layers

The PCB signal layers should follow typical good practice guidelines including:

- Layer changes should be minimized for single-ended signals.
- Individual differential pairs can be routed on different layers, but the signals of a given pair should not change layers.
- Stubs should be avoided.
- Low-frequency signals should be routed on the outer layers.
- Differential pair signals should be routed first.
- Pin swapping on components is not allowed.
- Polarized capacitors should have the same orientation.

The PCB should have a solder mask on the top and bottom layers.

- The mask should not cover the vias.
- Except for fine pitch devices (pitch \leq 0.032 inches). The copper pads and the solder mask cutout should be of the same size.
- Solder mask between pads of fine pitch devices should be removed.
- In the BGA package, the copper pads and the solder mask cutout should be of the same size.

High-speed connectors that meet the following requirements should be used:

- Differential crosstalk: $< 5\%$
- Differential impedance: 90 to 110 Ω for all LVDS signal pairs

Routing requirements for right-angle connectors:

- When using right-angle connectors, LVDS signal P-N pairs should be routed in the same row to minimize delay mismatch.
- When using right-angle connectors, propagation delay difference for each row should be accounted for on associated PCB etch lengths.

10.1.3 General PCB Routing

Fiducials for automatic component insertion should be 0.05-inch copper with a 0.1-inch cutout (antipad). Fiducials for optical auto insertion are placed on three corners of both sides of the PCB.

10.1.3.1 Trace Minimum Spacing

BGA escape routing can be routed with 3.7-mils width and 4.3-mils spacing, as long as the escape nets are less than 1-inch long, to allow two traces to fit between vias. After signals escape the BGA field, trace width should be widened to achieve the desired impedance and spacing.

All single-ended 50- Ω signals must have a minimum spacing of 10 mils relative to other signals. Other special trace spacing requirements are listed in [Table 10-2](#).

Table 10-2. Trace Minimum Spacing

SIGNAL	PWR	GND	SINGLE-ENDED ⁽¹⁾	DIFFERENTIAL PAIRS	UNIT
				Pair-to-Pair ⁽²⁾	
PWR	20 ⁽³⁾	10	15	15	mils
GND	10		5	5	mils
CLKIN_R	15	5	30	30	mils
DDC_DCLK_[A,B,C,D]_DP[N,P]	15	5	30	30	mils
DDC_DCLKOUT_[A,B,C,D]_DP[N,P]	15	5	30	30	mils

Table 10-2. Trace Minimum Spending (continued)

SIGNAL	PWR	GND	SINGLE-ENDED ⁽¹⁾	DIFFERENTIAL PAIRS	UNIT
DDC_DIN_[A,B,C,D] [0:15]_DP[N,P]	15	5	30	30	mils
DDC_DOUT_[A,B,C,D] [0:15]_DP[N,P]	15	5	30	30	mils
DDC_SCTRL_[A,B,C,D][N,P]	15	5	30	30	mils
DVALID_[A,B,C,D]_DP[N,P]	15	5	30	30	mils
Escape routing in ball field	15	5	4.3	4.3	mils
All other signals	15	5	30	30	mils

- (1) Signal spacing relative to other single-end signals.
(2) Signal spacing relative to other differential pairs.
(3) PWR relative to other power sources. Not same power source.

10.1.3.2 Trace Widths and Lengths

Table 10-3. Trace Widths and Lengths

SIGNAL	MIN WIDTHS	MAX LENGTHS ⁽²⁾	MAXIMUM TRACE MISMATCH		UNIT
			N-to-P	Pair-to-pair	
PWR	25				mils
GND	15 ⁽¹⁾				mils
CLKIN_R	7	350			mils
DDC_DCLK_[A,B,C,D]_DP[N,P]	Layout specific ⁽⁴⁾	Layout specific ⁽⁵⁾	10		mils
DDC_DIN_[A,B,C,D][0:15]_DP[N,P]			10	50 ⁽³⁾	mils
DVALID_[A,B,C,D]_DP[N,P]			10	50 ⁽³⁾	mils
DDC_DCLKOUT_[A,B,C,D]_DP[N,P]			10		mils
DDC_DOUT_[A,B,C,D][0:15]_DP[N,P]			10	50 ⁽³⁾	mils
DDC_SCTRL_[A,B,C,D][N,P]			10	50 ⁽³⁾	mils
All other signals	7				mils

- (1) Make width of GND trace as wide as the pin it is connected to, when possible.
(2) Signal routing length includes escape routing.
(3) Relative to its clock system. Refer to the Pin Functions Table to identify the clock system associated with the signals.
(4) Minimum widths to achieve impedance matching.
(5) Keep lengths as short as possible.

10.1.3.2.1 LVDS Output Bus Skew

To minimize instantaneous AC current switching in the DMD, the LVDS output bus trace lengths should differ to produce a recommended 100-200 ps skew from one bus to another. [Table 10-4](#) shows two examples how buses can be skewed assuming 180-200 ps per 1000 mils. Keep in mind the total skew from one bus to another should be kept below the maximum skew for the DMD. Refer to [Related Documentation](#) for the DMD datasheet regarding maximum DMD LVDS input bus skew.

Table 10-4. Example LVDS Output Bus Skew

Bus Group	Example 1 Bus Group Trace Lengths	Example 2 Bus Group Trace Lengths	UNIT
DDC_DCLKOUT_A DDC_DOUT_A DDC_SCTRL_A	7454	7454	mils
DDC_DCLKOUT_B DDC_DOUT_B DDC_SCTRL_B	5257	7454	mils
DDC_DCLKOUT_C DDC_DOUT_C DDC_SCTRL_C	6936	5257	mils
DDC_DCLKOUT_D DDC_DOUT_D DDC_SCTRL_D	5886	5257	mils

10.1.3.3 Trace Impedance and Routing Priority

For best performance, it is recommended that the trace impedance for differential signals as in [Table 10-5](#).

All signals should be 50-Ω controlled impedance unless otherwise noted in [Table 10-5](#).

Table 10-5. Trace Impedance

SIGNALS	DIFFERENTIAL IMPEDANCE
DDC_DCLK_[A,B,C,D]_DP[N,P]	100 Ω ± 10%
DDC_DCLKOUT_[A,B,C,D]_DP[N,P]	100 Ω ± 10%
DDC_DIN_[A,B,C,D][0:15]_DP[N,P]	100 Ω ± 10%
DDC_DOUT_[A,B,C,D][0:15]_DP[N,P]	100 Ω ± 10%
DDC_SCTRL_[A,B,C,D][N,P]	100 Ω ± 10%
DVALID_[A,B,C,D]_DP[N,P]	100 Ω ± 10%

[Table 10-6](#) lists the routing priority and layer assignments of the signals.

Table 10-6. Routing Priority

SIGNALS	PRIORITY
DDC_DCLKOUT_[A,B,C,D]_DP[N,P]	1
DDC_DOUT_[A,B,C,D][0:15]_DP[N,P]	1
DDC_SCTRL_[A,B,C,D][N,P]	2
DDC_DCLK_[A,B,C,D]_DP[N,P]	2
DDC_DIN_[A,B,C,D][0:15]_DP[N,P]	3
DVALID_[A,B,C,D]_DP[N,P]	3
BLKAD_[0:3], BLKMD_[0:1], ROWAD_[0:10], ROWMD_[0:1]	4
RESET_ADDR[0:3], RESET_MODE[0:1], RESET_SEL[0:1], RESET_STROBE, RESET_OEZ, RESET_IRQZ, RESET_RSTZ	5
SCPCLK, SCPDI, SCPDO, DMD_SCPENZ	6
CLKIN_R	7
All other single-ended signals	8

10.1.4 Power and Ground Planes

The following are recommendations for best performance:

- Solid ground planes between each signal routing layer.
- Solid power planes for voltages.
- Power and ground pins should be connected to these planes through a via for each pin.
- Trace lengths for the component power and ground pins should be minimized to 0.100 inches or less.

- Vias should be spaced out to avoid forming slots on the power planes.
- High speed signals should not cross over a slot in the adjacent power planes.
- Placing extra vias is not required if there are sufficient ground vias due to normal ground connections of devices.

10.1.5 Power Vias

Power and Ground pins of each component shall be connected to the power and ground planes with a via for each pin. Avoid sharing vias to the power plane among multiple power pins, where possible. Trace lengths for component power and ground pins should be minimized (ideally, less than 0.100 inch). Unused or spare device pins that are connected to power or ground may be connected together with a single via to power or ground. The minimum spacing between vias shall be 0.050 inch to prevent slots from being developed on the ground plane.

10.1.6 Decoupling

Decoupling capacitors must be located as near as possible to the DLPC910 voltage supply pins. Capacitors should not share vias. The DLPC910 power pins can be connected directly to the decoupling capacitor (no via) if the trace is less than 0.03 inches. Otherwise the component should be tied to the voltage or ground plane through a separate via. All capacitors should be connected to the power planes with trace lengths less than 0.05 inches.

10.1.7 Flex Connector Plating

For designs using the Texas Instruments designed reference flex cable, plate all the pad area on the top layer of flex connection with a minimum of 35 and maximum 50 micro-inches of electrolytic hard gold over a minimum of 100 micro-inches of electrolytic nickel.

10.2 Layout Example

The PCB layer design may vary depending on system design. However, careful attention is required to meet design considerations. [Table 10-7](#) shows a layer signal definition and [Figure 10-1](#) shows a PCB stack-up. The PCB stack-up uses Hitachi 679gs as the dielectric material to improve the signal slew rate. Although the material shown is Rogers Theta, it is the same material as the Hitachi 679gs.

Table 10-7. Layer Definition

Top:	Signal
2:	GND
3:	Signal
4:	GND
5:	Signal
6:	GND
7:	Signal
8:	GND
9:	Split Power
10:	Split Power
11:	GND
12:	Signal
13:	GND
14:	Signal
15:	GND
16:	Signal
17:	GND
Bottom:	Signal

DLPC910

DLPS064D – SEPTEMBER 2015 – REVISED SEPTEMBER 2020


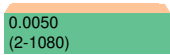

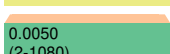
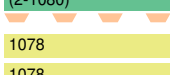
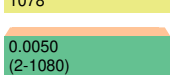

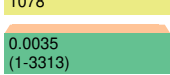
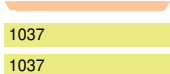
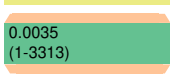
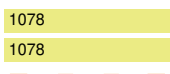
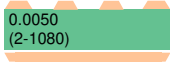

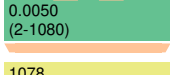
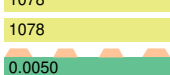
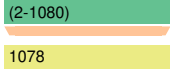

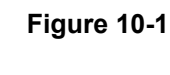
Layer	Calc Thickness	Primary Stack	Description	Dk / Df
Layer - 1	0.0005 0.0020 0.0030		Taiyo 4000-BN 1/2 oz Sig (std Plt)	2.70 / 0.0330
Layer - 2	0.0006 0.0050		1/2 oz P/G Theta	3.90 / 0.0097
Layer - 3	0.0006 0.0057		1/2 oz P/G Theta	3.97 / 0.0095
Layer - 4	0.0006 0.0050		1/2 oz P/G Theta	3.90 / 0.097
Layer - 5	0.0006 0.0057		1/2 oz P/G Theta	3.97 / 0.0095
Layer - 6	0.0006 0.0050		1/2 oz P/G Theta	3.90 / 0.0097
Layer - 7	0.0006 0.0057		1/2 oz P/G Theta	3.97 / 0.0095
Layer - 8	0.0006 0.0035		1/2 oz P/G Theta	3.90 / 0.0097
Layer - 9	0.0006 0.0039		1/2 oz P/G Theta	3.98 / 0.0094
Layer - 10	0.0006 0.0035		1/2 oz P/G Theta	3.85 / 0.0100
Layer - 11	0.0006 0.0057		1/2 oz P/G Theta	3.98 / 0.0094
Layer - 12	0.0006 0.0050		1/2 oz P/G Theta	3.90 / 0.0097
Layer - 13	0.0006 0.0057		1/2 oz P/G Theta	3.97 / 0.0095
Layer - 14	0.0006 0.0050		1/2 oz P/G Theta	3.90 / 0.0097
Layer - 15	0.0006 0.0057		1/2 oz P/G Theta	3.97 / 0.0095
Layer - 16	0.0006 0.0050		1/2 oz P/G Theta	3.90 / 0.0097
Layer - 17	0.0006 0.0030		1/2 oz P/G Theta	3.97 / 0.0095
Layer - 18	0.0020 0.0005		1/2 oz Sig (std Plt) Taiyo 4000-BN	3.90 / 0.0097 2.70 / 0.0330

Figure 10-1. PCB Stack-Up

11 Device and Documentation Support

11.1 Device Support

11.1.1 Device Nomenclature

Table 11-1. Part Number Description

TI PART NUMBER	DESCRIPTION
DLPC910ZYR	DLPC910 digital controller

11.1.2 Device Markings

Device markings are controlled by TI's supplier. TI packaging includes TI part number designation.

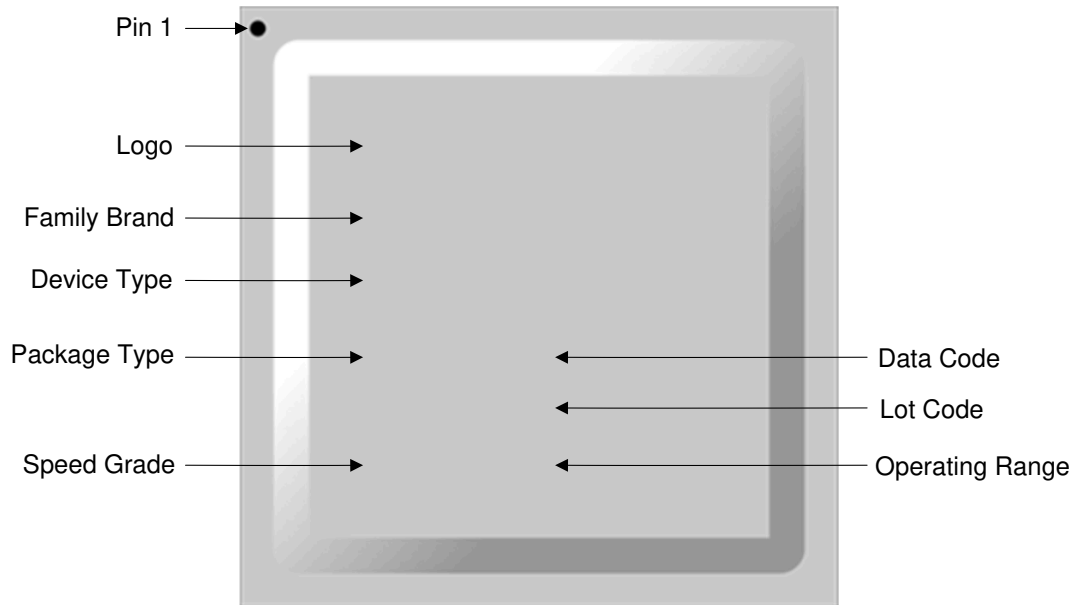


Figure 11-1. DLPC910 Device Markings

11.2 Documentation Support

11.2.1 Related Documentation

The following documents contain additional information related to the chipset components used with the DLPC910:

- DLPR910 PROM Data Sheet ([DLPS065](#))
- DLP9000(X) DMD Data Sheet ([DLPS036](#))
- DLP9000XUV DMD Data Sheet ([DLPS036](#))
- DLP6500 Type A DMD Data Sheet ([DLPS040](#))
- DLP6500 S600 DMD Data Sheet ([DLPS053](#))

11.3 Support Resources

[TI E2E™ support forums](#) are an engineer's go-to source for fast, verified answers and design help — straight from the experts. Search existing answers or ask your own question to get the quick design help you need.

Linked content is provided "AS IS" by the respective contributors. They do not constitute TI specifications and do not necessarily reflect TI's views; see TI's [Terms of Use](#).

11.4 Trademarks

TI E2E™ is a trademark of Texas Instruments.

® is a registered trademark of Texas Instruments.

Virtex® is a registered trademark of Xilinx, Inc.
All other trademarks are the property of their respective owners.

11.5 Electrostatic Discharge Caution



This integrated circuit can be damaged by ESD. Texas Instruments recommends that all integrated circuits be handled with appropriate precautions. Failure to observe proper handling and installation procedures can cause damage.

ESD damage can range from subtle performance degradation to complete device failure. Precision integrated circuits may be more susceptible to damage because very small parametric changes could cause the device not to meet its published specifications.

11.6 Glossary

[TI Glossary](#) This glossary lists and explains terms, acronyms, and definitions.

12 Mechanical, Packaging, and Orderable Information

The following pages include mechanical, packaging, and orderable information. This information is the most current data available for the designated devices. This data is subject to change without notice and revision of this document. For browser-based versions of this data sheet, refer to the left-hand navigation.

PACKAGING INFORMATION

Orderable Device	Status (1)	Package Type	Package Drawing	Pins	Package Qty	Eco Plan (2)	Lead finish/ Ball material (6)	MSL Peak Temp (3)	Op Temp (°C)	Device Marking (4/5)	Samples
DLPC910ZYR	ACTIVE	FCBGA	ZYR	676	1	RoHS & Non-Green	Call TI	Level-4-250C-72 HRS	0 to 85		Samples

(1) The marketing status values are defined as follows:

ACTIVE: Product device recommended for new designs.

LIFEBUY: TI has announced that the device will be discontinued, and a lifetime-buy period is in effect.

NRND: Not recommended for new designs. Device is in production to support existing customers, but TI does not recommend using this part in a new design.

PREVIEW: Device has been announced but is not in production. Samples may or may not be available.

OBSELETE: TI has discontinued the production of the device.

(2) **RoHS:** TI defines "RoHS" to mean semiconductor products that are compliant with the current EU RoHS requirements for all 10 RoHS substances, including the requirement that RoHS substance do not exceed 0.1% by weight in homogeneous materials. Where designed to be soldered at high temperatures, "RoHS" products are suitable for use in specified lead-free processes. TI may reference these types of products as "Pb-Free".

RoHS Exempt: TI defines "RoHS Exempt" to mean products that contain lead but are compliant with EU RoHS pursuant to a specific EU RoHS exemption.

Green: TI defines "Green" to mean the content of Chlorine (Cl) and Bromine (Br) based flame retardants meet JS709B low halogen requirements of <=1000ppm threshold. Antimony trioxide based flame retardants must also meet the <=1000ppm threshold requirement.

(3) MSL, Peak Temp. - The Moisture Sensitivity Level rating according to the JEDEC industry standard classifications, and peak solder temperature.

(4) There may be additional marking, which relates to the logo, the lot trace code information, or the environmental category on the device.

(5) Multiple Device Markings will be inside parentheses. Only one Device Marking contained in parentheses and separated by a "~" will appear on a device. If a line is indented then it is a continuation of the previous line and the two combined represent the entire Device Marking for that device.

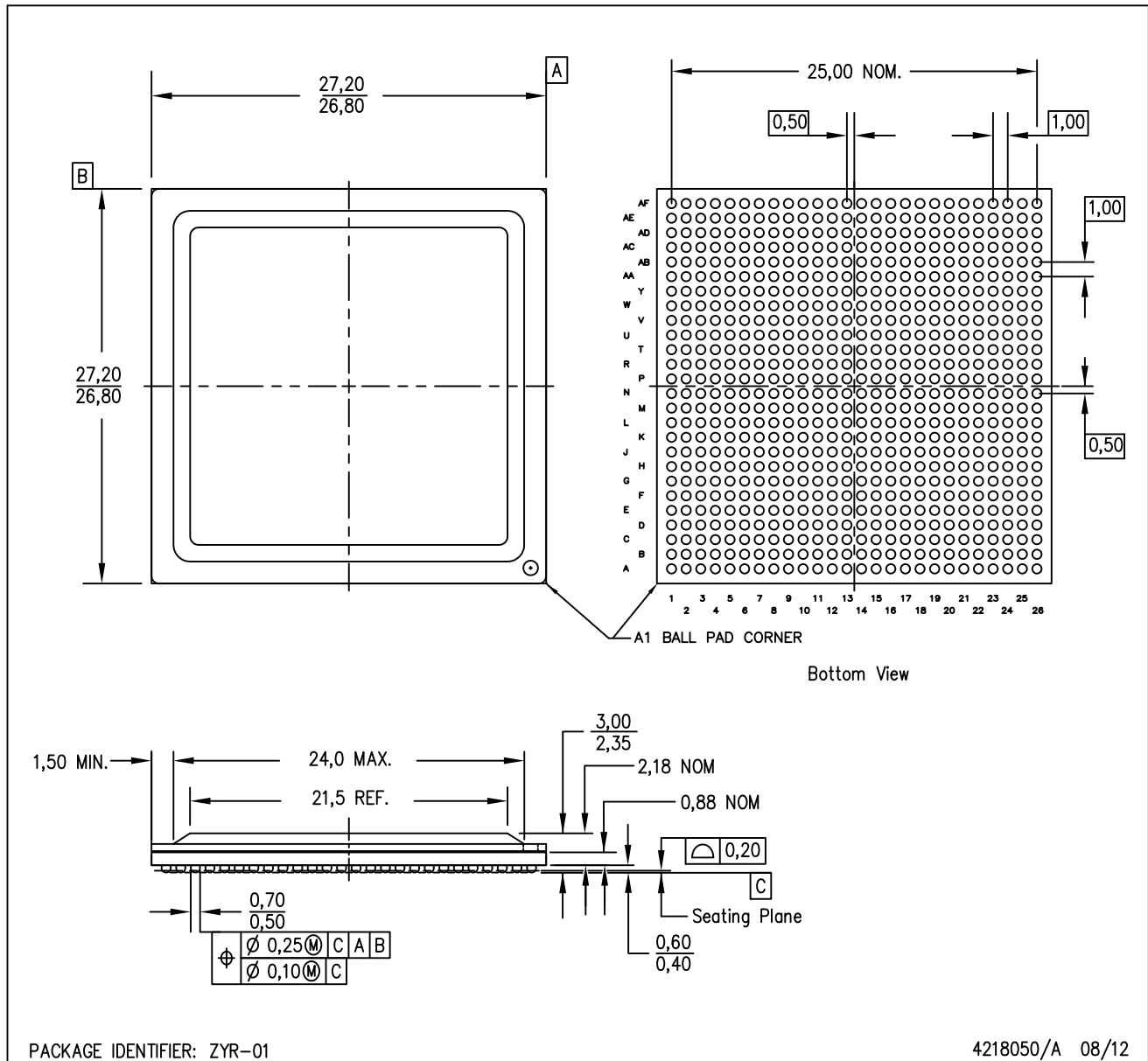
(6) Lead finish/Ball material - Orderable Devices may have multiple material finish options. Finish options are separated by a vertical ruled line. Lead finish/Ball material values may wrap to two lines if the finish value exceeds the maximum column width.

Important Information and Disclaimer:The information provided on this page represents TI's knowledge and belief as of the date that it is provided. TI bases its knowledge and belief on information provided by third parties, and makes no representation or warranty as to the accuracy of such information. Efforts are underway to better integrate information from third parties. TI has taken and continues to take reasonable steps to provide representative and accurate information but may not have conducted destructive testing or chemical analysis on incoming materials and chemicals. TI and TI suppliers consider certain information to be proprietary, and thus CAS numbers and other limited information may not be available for release.

In no event shall TI's liability arising out of such information exceed the total purchase price of the TI part(s) at issue in this document sold by TI to Customer on an annual basis.

ZYR (S-PBGA-N676)

PLASTIC BALL GRID ARRAY



- NOTES:
- A. All linear dimensions are in millimeters. Dimensioning and tolerancing per ASME Y14.5M-1994.
 - B. This drawing is subject to change without notice.
 - C. Flip chip application only.
 - D. Pb-free solder ball.

IMPORTANT NOTICE AND DISCLAIMER

TI PROVIDES TECHNICAL AND RELIABILITY DATA (INCLUDING DATA SHEETS), DESIGN RESOURCES (INCLUDING REFERENCE DESIGNS), APPLICATION OR OTHER DESIGN ADVICE, WEB TOOLS, SAFETY INFORMATION, AND OTHER RESOURCES "AS IS" AND WITH ALL FAULTS, AND DISCLAIMS ALL WARRANTIES, EXPRESS AND IMPLIED, INCLUDING WITHOUT LIMITATION ANY IMPLIED WARRANTIES OF MERCHANTABILITY, FITNESS FOR A PARTICULAR PURPOSE OR NON-INFRINGEMENT OF THIRD PARTY INTELLECTUAL PROPERTY RIGHTS.

These resources are intended for skilled developers designing with TI products. You are solely responsible for (1) selecting the appropriate TI products for your application, (2) designing, validating and testing your application, and (3) ensuring your application meets applicable standards, and any other safety, security, regulatory or other requirements.

These resources are subject to change without notice. TI grants you permission to use these resources only for development of an application that uses the TI products described in the resource. Other reproduction and display of these resources is prohibited. No license is granted to any other TI intellectual property right or to any third party intellectual property right. TI disclaims responsibility for, and you will fully indemnify TI and its representatives against, any claims, damages, costs, losses, and liabilities arising out of your use of these resources.

TI's products are provided subject to [TI's Terms of Sale](#) or other applicable terms available either on [ti.com](https://www.ti.com) or provided in conjunction with such TI products. TI's provision of these resources does not expand or otherwise alter TI's applicable warranties or warranty disclaimers for TI products.

TI objects to and rejects any additional or different terms you may have proposed.

Mailing Address: Texas Instruments, Post Office Box 655303, Dallas, Texas 75265
Copyright © 2025, Texas Instruments Incorporated