

DS16F95QML EIA-485/EIA-422A Differential Bus Transceiver

Check for Samples: [DS16F95QML](#)

FEATURES

- Radiation Ensured 300 krad(Si)
- Meets EIA-485 and EIA-422A
- Meets SCSI-1 (5 MHz) Specifications
- Designed for Multipoint Transmission
- Wide Positive and Negative Input/Output Bus Voltage Ranges
- Thermal Shutdown Protection
- Driver Positive and Negative Current-Limiting
- High Impedance Receiver Input
- Receiver Input Hysteresis of 50 mV Typical
- Operates from Single 5.0V Supply
- Reduced Power Consumption
- Pin Compatible with DS3695 and SN75176A

DESCRIPTION

The DS16F95 Differential Bus Transceiver is a monolithic integrated circuit designed for bidirectional data communication on balanced multipoint bus transmission lines. The transceiver meets EIA standard RS-485 as well as RS-422A.

The DS16F95 offers improved performance due to the use of state-of-the-art L-FAST bipolar technology. The L-FAST technology allows for higher speeds and lower currents by utilizing extremely short gate delay times. Thus, the DS16F95QML features lower power, extended temperature range and improved specifications.

The DS16F95 combines a TRI-STATE differential line driver and a differential input line receiver, both of which operate from a single 5.0V power supply. The driver and receiver have an active Enable that can be externally connected to function as a direction control. The driver differential outputs and the receiver differential inputs are internally connected to form differential input/output (I/O) bus ports that are designed to offer minimum loading to the bus whenever the driver is disabled or when $V_{CC} = 0V$. These ports feature wide positive and negative common mode voltage ranges, making the device suitable for multipoint applications in noisy environments.

The driver is designed to accommodate loads of up to 60 mA of sink or source current and features positive and negative current limiting in addition to thermal shutdown for protection from line fault conditions.

The DS16F95 can be used in transmission line applications employing the DS96F172 and the DS96F174 quad differential line drivers and the DS96F173 and DS96F175 quad differential line receivers.



Please be aware that an important notice concerning availability, standard warranty, and use in critical applications of Texas Instruments semiconductor products and disclaimers thereto appears at the end of this data sheet.

All trademarks are the property of their respective owners.

Connection Diagram

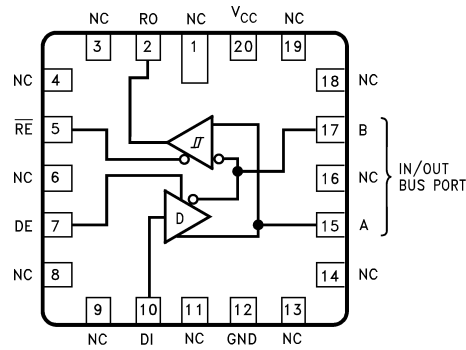


Figure 1. 20-Lead Ceramic Leadless Chip Carrier

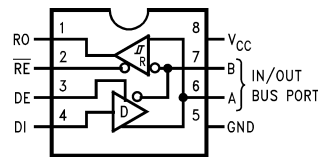


Figure 2. 8-Lead Dual-In-Line Package

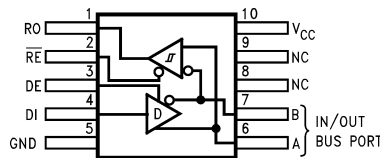
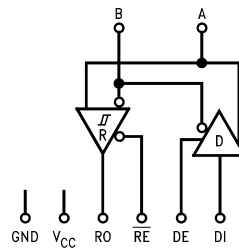


Figure 3. 10-Lead Flatpak Package

Logic Diagram



Function Tables

Table 1. Driver⁽¹⁾

Driver Input	Enable	Outputs	
DI	DE	A	B
H	H	H	L
L	H	L	H
X	L	Z	Z

(1) H = High Level, L = Low Level, X = Immaterial, Z = High Impedance (Off)

Table 2. Receiver⁽¹⁾

Differential Inputs	Enable	Output
A-B	\overline{RE}	RO
$V_{ID} \geq 0.2V$	L	H
$V_{ID} \leq -0.2V$	L	L
X	H	Z

(1) H = High Level, L = Low Level, X = Immaterial, Z = High Impedance (Off)



These devices have limited built-in ESD protection. The leads should be shorted together or the device placed in conductive foam during storage or handling to prevent electrostatic damage to the MOS gates.

Absolute Maximum Ratings⁽¹⁾

Storage Temperature Range		-65°C ≤ T _A ≤ +175°C	
Lead Temperature	(Soldering, 60 sec.)	300°C	
Maximum Power Dissipation at 25°C ⁽²⁾	LCCC 'NAJ' Package	1800 mW	
	CDIP 'NAB' Package	1274 mW	
	CLGA 'NAD' Package	725 mW	
Supply Voltage		7.0V	
Input Voltage (Bus Terminal)		+15V/-10V	
Enable Input Voltage		5.5V	
Junction Temperature (T _J)		+175°C	
Thermal Resistance	θ _{JA}	LCCC 'NAJ' Package	83°C/W @ 0.5W
		CDIP 'NAB' Package	118°C/W @ 1.0W
		CLGA 'NAD' Package	207°C/W @ 0.5W
	θ _{JC}	LCCC 'NAJ' Package	17°C/W
		CDIP 'NAB' Package	14°C/W
		CLGA 'NAD' Package	18°C/W
ESD Tolerance ⁽³⁾		500V	

- (1) Absolute Maximum Ratings are those values beyond which the safety of the device cannot be ensured. They are not meant to imply that the devices should be operated at these limits. The tables of [Electrical Characteristics](#) provide conditions for actual device operation.
- (2) Above T_A = 25°C, derate NAJ package 12.1mW/°C, NAB package 8.5 mW/°C, NAD package 4.8mW/°C.
- (3) Human body model, 1.5kΩ in series with 100pF

Recommended Operating Conditions

Supply Voltage (V _{CC})		4.50 to 5.50V
Voltage at Any Bus Terminal	(Separately or Common Mode) (V _I or V _{CM})	-7.0V to +12V
Differential Input Voltage (V _{ID})		-7.0V to ±12V
Output Current HIGH (I _{OH}) Driver	Driver	-60mA
	Receiver	-400μA
Output Current LOW (I _{OL})	Driver	60mA
	Receiver	16mA
Operating Temperature (T _A)		-55°C to +125°C

Quality Conformance Inspection

MIL-STD-883, Method 5005 - Group A

Subgroup	Description	Temp (°C)
1	Static tests at	+25
2	Static tests at	+125
3	Static tests at	-55
4	Dynamic tests at	+25
5	Dynamic tests at	+125
6	Dynamic tests at	-55
7	Functional tests at	+25
8A	Functional tests at	+125
8B	Functional tests at	-55
9	Switching tests at	+25
10	Switching tests at	+125
11	Switching tests at	-55

DC - Driver Electrical Characteristics⁽¹⁾

 The following conditions apply to all parameters, unless otherwise specified. $V_{CC} = 5.5V$

Symbol	Parameter	Conditions	Notes	Min	Max	Unit	Sub-group
VOD1	Differential Vout	$V_{CC} = 5.5V, I_O = 0A, V_{IN} = .8V$			6	V	1, 2, 3
		$V_{CC} = 5.5V, I_O = 0A, V_{IN} = 2V$			6	V	1, 2, 3
VOD2	Differential Vout (See Figure 4)	$V_{CC} = 4.5V, R_L = 100\Omega$		2		V	1, 2, 3
		$V_{CC} = 4.5V, R_L = 54\Omega$		1.5		V	1, 2, 3
ΔV_{OD}	Change In Differential Vout	$V_{CC} = 4.5V, R_L = 100\Omega$	See ⁽²⁾	-200	200	mV	1, 2, 3
		$V_{CC} = 4.5V, R_L = 54\Omega$		-200	200	mV	1, 2, 3
ΔV_{OC}	Change In Common Mode Vout	$V_{CC} = 4.5V, R_L = 100\Omega$	See ⁽²⁾	-200	200	mV	1, 2, 3
		$V_{CC} = 4.5V, R_L = 54\Omega$		-200	200	mV	1, 2, 3
V _{OC}	Common Mode Vout	$R_L = 100\Omega$			3	V	1, 2, 3
		$R_L = 54\Omega$			3	V	1, 2, 3
I _{IH}	Logical "1" Input Current	$V_I = 2.4V$			20	uA	1, 2, 3
I _O	Output Current	Output Disable, $V_O = 12V$			1	mA	1, 2, 3
		Output Disable, $V_O = -7V$	See ⁽³⁾	-0.8		mA	1, 2, 3
		$V_{CC} = 0$, Output Disable, $V_O = 12V$			1	mA	1, 2, 3
		$V_{CC} = 0$, Output Disable, $V_O = -7V$	See ⁽³⁾	-0.8		mA	1, 2, 3

- (1) Pre and post irradiation limits are identical to those listed under A C and DC electrical characteristics. These parts may be dose rate sensitive in a space environment and demonstrate enhanced low dose rate effect. Radiation end point limits for the noted parameters are ensured only for the conditions as specified in MIL-STD 883, Method 1019, condition A.
- (2) $\Delta|V_{OD}|$ and $\Delta|V_{OC}|$ are the changes in magnitude of V_{OD} and V_{OC} , respectively, that occur when the input is changed from a high level to a low level.
- (3) Negative sign of the limits indicates the direction of the current flow only.

DC - Driver Electrical Characteristics⁽¹⁾ (continued)

The following conditions apply to all parameters, unless otherwise specified. $V_{CC} = 5.5V$

Symbol	Parameter	Conditions	Notes	Min	Max	Unit	Sub-group
I_{OS}	Output Short Circuit	$V_{IN} = 3V, V_{OUT} = V_{CC}$			150	mA	1, 2, 3
		$V_{IN} = 3V, V_{OUT} = -7V$	See ⁽⁴⁾	-250		mA	1, 2, 3
		$V_{IN} = 3V, V_{OUT} = 0V$		-150		mA	1, 2, 3
		$V_{IN} = 3V, V_{OUT} = 12V$			250	mA	1, 2, 3
		$V_{IN} = 0V, V_{OUT} = 12V$			250	mA	1, 2, 3
		$V_{IN} = 0V, V_{OUT} = V_{CC}$			150	mA	1, 2, 3
		$V_{IN} = 0V, V_{OUT} = -7V$	See ⁽⁴⁾	-250		mA	1, 2, 3
		$V_{IN} = 0V, V_{OUT} = 0V$		-150		mA	1, 2, 3
V_{OH}	Logical "1" Output Voltage	$V_{CC} = 4.5V, I_O = -20mA$		3		V	1, 2, 3
V_{OL}	Logical "0" Output Voltage	$V_{CC} = 4.5V, I_O = 20mA$			2	V	1, 2, 3
VOD3	Differential Vout	$V_{CM} = -7V$ to 12V		1		V	1, 2, 3

(4) Negative sign of the limits indicates the direction of the current flow only.

DC - Receiver Electrical Characteristics⁽¹⁾

The following conditions apply to all parameters, unless otherwise specified. $V_{CC} = 5.5V$

Symbol	Parameter	Conditions	Notes	Min	Max	Unit	Sub-group
V_{OH}	Logical "1" Output Voltage (See Figure 5)	$V_{CC} = 4.5V, V_{LD} = 200mV,$ $I_{OH} = -400\mu A$		2.5		V	1, 2, 3
V_{OL}	Logical "0" Output Voltage (See Figure 5)	$V_{CC} = 4.5V, V_{LD} = -200mV,$ $I_{OL} = 8mA$.45	V	1, 2, 3
		$V_{CC} = 4.5V, V_{LD} = -200mV,$ $I_{OL} = 16mA$.5	V	1, 2, 3
I_I	Line Input Current	Untested Input = 0V, $V_I = 12V$			1	mA	1, 2, 3
		Untested Input = 0V, $V_I = -7V$	See ⁽²⁾	-.8		mA	1, 2, 3
		$V_{CC} = 0V,$ Untested Input = 0V, $V_I = 12V$	See ⁽²⁾		1	mA	1, 2, 3
		$V_{CC} = 0V,$ Untested Input = 0V, $V_I = -7V$		-.8		mA	1, 2, 3
I_{IH}	Logical "1" Input Current	$V_I = 2.7V$ (Receiver)			20	μA	1, 2, 3
R_{IN}	Input Resistance	Untested Input = 0V, $V_I = 12V$	See ⁽³⁾	10		K Ω	1, 2, 3
		Untested Input = 0V, $V_I = -7V$		10		K Ω	1, 2, 3
		$V_{CC} = 0V,$ Untested Input = 0V, $V_I = 12V$	See ⁽³⁾	10		K Ω	1, 2, 3
		$V_{CC} = 0V,$ Untested Input = 0V, $V_I = -7V$		10		K Ω	1, 2, 3
I_{OZ}	High Impedance State	$V_I = 0.4V$		-20	20	μA	1, 2, 3
		$V_I = 2.4V$		-20	20	μA	1, 2, 3

(1) Pre and post irradiation limits are identical to those listed under A C and DC electrical characteristics. These parts may be dose rate sensitive in a space environment and demonstrate enhanced low dose rate effect. Radiation end point limits for the noted parameters are ensured only for the conditions as specified in MIL-STD 883, Method 1019, condition A.

(2) Negative sign of the limits indicates the direction of the current flow only.

(3) R_{IN} is guaranteed by testing "Line Input Current" (II).

DC - Receiver Electrical Characteristics⁽¹⁾ (continued)

The following conditions apply to all parameters, unless otherwise specified. $V_{CC} = 5.5V$

Symbol	Parameter	Conditions	Notes	Min	Max	Unit	Sub-group
I_{OS}	Output Short Circuit	$V_{IN} = 1V, V_{OUT} = 0V$		-85	-15	mA	1, 2, 3
V_{TH}	Differential Input High Threshold	$V_{CC} = 4.5V, V_O = 2.5V,$ $V_{CM} = 12V \& 0V \& -7V, I_O = -.4mA$.2	V	1, 2, 3
		$V_{CC} = 5.5V, V_O = 2.5V,$ $V_{CM} = 12V \& 0V \& -7V, I_O = -.4mA$.2	V	1, 2, 3
V_{T1}	Differential Input Low Threshold	$V_{CC} = 4.5V, V_O = .5V,$ $V_{CM} = 12V \& 0V \& -7V, I_O = 8mA$		-2		V	1, 2, 3
		$V_{CC} = 5.5V, V_O = .5V,$ $V_{CM} = 12V \& 0V \& -7V, I_O = 8mA$		-2		V	1, 2, 3
V_{TH+} - (V_{TH-})	Hyteresis	$V_{CC} = 4.5V, V_{CM} = 0V$		35		mV	1, 2, 3
		$V_{CC} = 5.5V, V_{CM} = 0V$		35		mV	1, 2, 3

DC - Both Driver and Receiver Electrical Characteristics⁽¹⁾

The following conditions apply to all parameters, unless otherwise specified. $V_{CC} = 5.5V$

Symbol	Parameter	Conditions	Notes	Min	Max	Unit	Sub-group
I_{CC}	Supply Current I_{CC} Both Disable	$\overline{RE} = 2V, \overline{DE} = .8V$			25	mA	1, 2, 3
I_{CC}	Supply Current I_{CC} Both Enable	$\overline{RE} = .8V, \overline{DE} = 2V$			28	mA	1, 2, 3
V_{IC}	Input Clamp Volt	$I_I = -18mA$		-1.3		V	1, 2, 3
V_{IH}	Logical "1" Input Voltage			2		V	1, 2, 3
V_{IL}	Logical "0" Input Voltage				.8	V	1, 2, 3
V_{IH}	Logical "1" Enable Input Voltage			2		V	1, 2, 3
V_{IL}	Logical "0" Enable Input Voltage				.8	V	1, 2, 3
I_{IL}	Logical "0" Input Current	$V_I = 0.4V$	See ⁽²⁾	-50		uA	1, 2, 3

(1) Pre and post irradiation limits are identical to those listed under A C and DC electrical characteristics. These parts may be dose rate sensitive in a space environment and demonstrate enhanced low dose rate effect. Radiation end point limits for the noted parameters are ensured only for the conditions as specified in MIL-STD 883, Method 1019, condition A.

(2) Negative sign of the limits indicates the direction of the current flow only.

AC - Driver Electrical Characteristics⁽¹⁾

The following conditions apply to all parameters, unless otherwise specified.

$V_{CC} = 5V, PRR = 1MHz, T_R \leq T_F \leq 6nS, 50\%$ duty cycle, $AMP = 3V, V_{LO}, Z_{OUT} = 50\Omega$

Symbol	Parameter	Conditions	Notes	Min	Max	Unit	Sub-group
t_{DD}	Differential Output Delay Time (See Figure 6)	$R_L = 60\Omega$	See ⁽²⁾	8	25	nS	9
				8	30	nS	10, 11
t_{TD}	Differential Output Transition Time (See Figure 6)	$R_L = 60\Omega$	See ⁽²⁾⁽³⁾	8	25	nS	9
				8	30	nS	10, 11
t_{PLH}	Propagation Delay Time Low to High (See Figure 7)	$R_L = 27\Omega$		6	18	nS	9
				6	25	nS	10, 11
t_{PHL}	Propagation Delay Time high to Low (See Figure 7)	$R_L = 27\Omega$		6	18	nS	9
				6	25	nS	10, 11
t_{PZH}	Output Enable Time to H (See Figure 8)	$R_L = 110\Omega$			35	nS	9
					45	nS	10, 11
t_{PZL}	Output Enable Time to L (See Figure 9)	$R_L = 110\Omega$			40	nS	9
					50	nS	10, 11

(1) Pre and post irradiation limits are identical to those listed under A C and DC electrical characteristics. These parts may be dose rate sensitive in a space environment and demonstrate enhanced low dose rate effect. Radiation end point limits for the noted parameters are ensured only for the conditions as specified in MIL-STD 883, Method 1019, condition A.

(2) Rise time 20% to 80%, Fall time 80% to 20%.

(3) $t_{TD} =$ Non-inverting output rise time + inverting output fall time / 2, Non-inverting output fall time + inverting output rise time / 2.

AC - Driver Electrical Characteristics⁽¹⁾ (continued)

The following conditions apply to all parameters, unless otherwise specified.

$V_{CC} = 5V$, $PRR = 1MHz$, $T_R \leq T_F \leq 6nS$, 50% duty cycle, $AMP = 3V$, V_{L0} , $Z_{OUT} = 50\Omega$

Symbol	Parameter	Conditions	Notes	Min	Max	Unit	Sub-group
t_{PHZ}	Output Disable Time to H (See Figure 8)	$R_L = 110\Omega$			30	nS	9
					40	nS	10, 11
t_{PLZ}	Output Disable Time to L (See Figure 9)	$R_L = 110\Omega$			30	nS	9
					40	nS	10, 11
T_{SKEW}	Differential Output Skew Time (See Figure 6)				6	nS	9
					12	nS	10, 11

AC - Receiver Electrical Characteristics⁽¹⁾

The following conditions apply to all parameters, unless otherwise specified.

$V_{CC} = 5V$, $PRR = 1MHz$, $T_R \leq T_F \leq 6nS$, 50% duty cycle, $AMP = 3V$, V_{L0} , $Z_{OUT} = 50\Omega$

Symbol	Parameter	Conditions	Notes	Min	Max	Unit	Sub-group	
t_{PLH}	Propagation Delay Time Low to High (See Figure 10)	$C_L = 15pF$			10	27	nS	9
					10	38	nS	10, 11
t_{PHL}	Propagation Delay Time High to Low (See Figure 10)	$C_L = 15pF$			10	27	nS	9
					10	38	nS	10, 11
t_{PZH}	Output Enable Time to H (See Figure 11)	$C_L = 15pF$			20	nS	9	
					30	nS	10, 11	
t_{PZL}	Output Enable Time to L (See Figure 11)	$C_L = 15pF$			20	nS	9	
					30	nS	10, 11	
$ t_{PLH} - t_{PHL} $	Output to Output Delay Time (See Figure 10)				8	nS	9	
					16	nS	10, 11	
t_{PHZ}	Output Disable Time From H (See Figure 11)	$C_L = 20pF$	See ⁽²⁾		30	nS	9	
					40	nS	10, 11	
		$C_L = 5pF$	See ⁽²⁾		20	nS	9	
					30	nS	10, 11	
t_{PLZ}	Output Disable Time From L (See Figure 11)	$C_L = 5pF$			20	nS	9	
					30	nS	10, 11	

(1) Pre and post irradiation limits are identical to those listed under A C and DC electrical characteristics. These parts may be dose rate sensitive in a space environment and demonstrate enhanced low dose rate effect. Radiation end point limits for the noted parameters are ensured only for the conditions as specified in MIL-STD 883, Method 1019, condition A.

(2) Testing at 20pF assures conformance to spec at 5pF.

Parameter Measurement Information

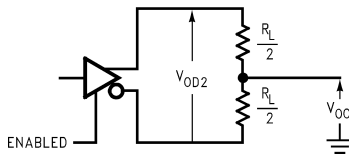


Figure 4. Driver V_{OD} and V_{OC} ⁽¹⁾

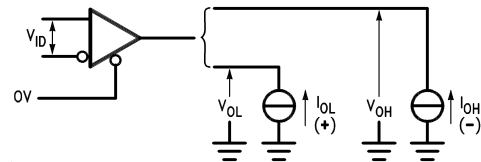
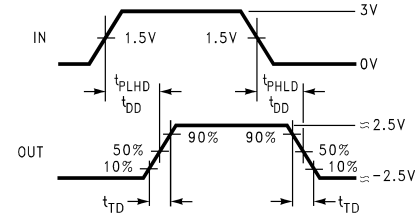
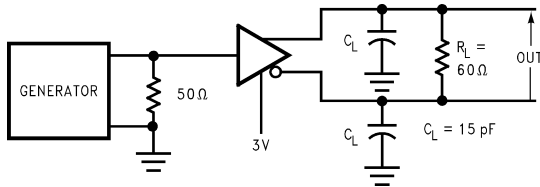


Figure 5. Receiver V_{OH} and V_{OL}



$$t_{SKEW} = |t_{PLHD} - t_{PHLD}|$$

Figure 6. Driver Differential Output Delay and Transition Times⁽²⁾⁽³⁾

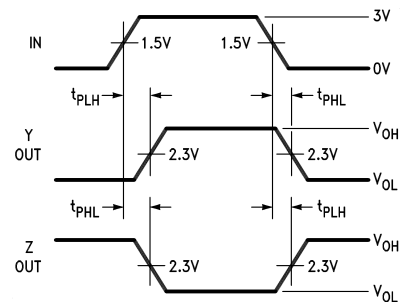
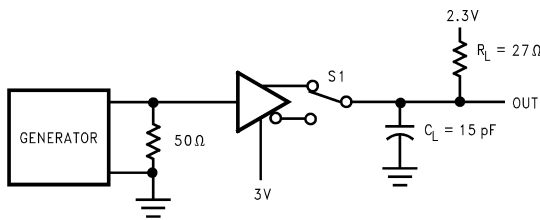


Figure 7. Driver Propagation Times⁽²⁾⁽⁴⁾

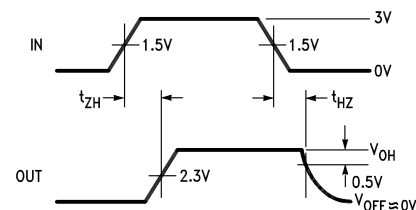
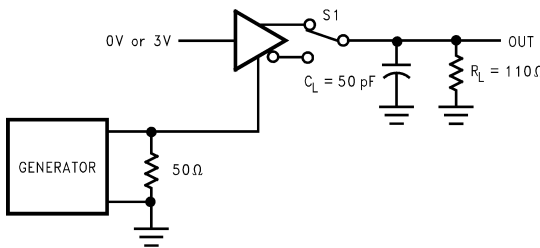


Figure 8. Driver Enable and Disable Times (t_{ZH} , t_{HZ})⁽²⁾⁽³⁾⁽⁴⁾

- (1) All diodes are 1N916 or equivalent.
- (2) The input pulse is supplied by a generator having the following characteristics: PRR = 1.0 MHz, 50% duty cycle, $t_r \leq 6.0$ ns, $t_f \leq 6.0$ ns, $Z_O = 50\Omega$.
- (3) DS16F95 Driver enable is Active-High.
- (4) C_L includes probe and stray capacitance.

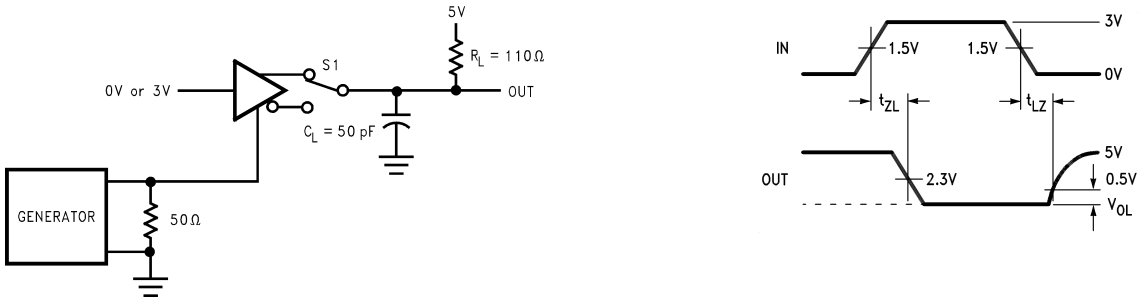


Figure 9. Driver Enable and Disable Times (t_{ZL} , t_{LZ})⁽¹⁾⁽²⁾⁽³⁾



Figure 10. Receiver Propagation Delay Times⁽¹⁾⁽³⁾

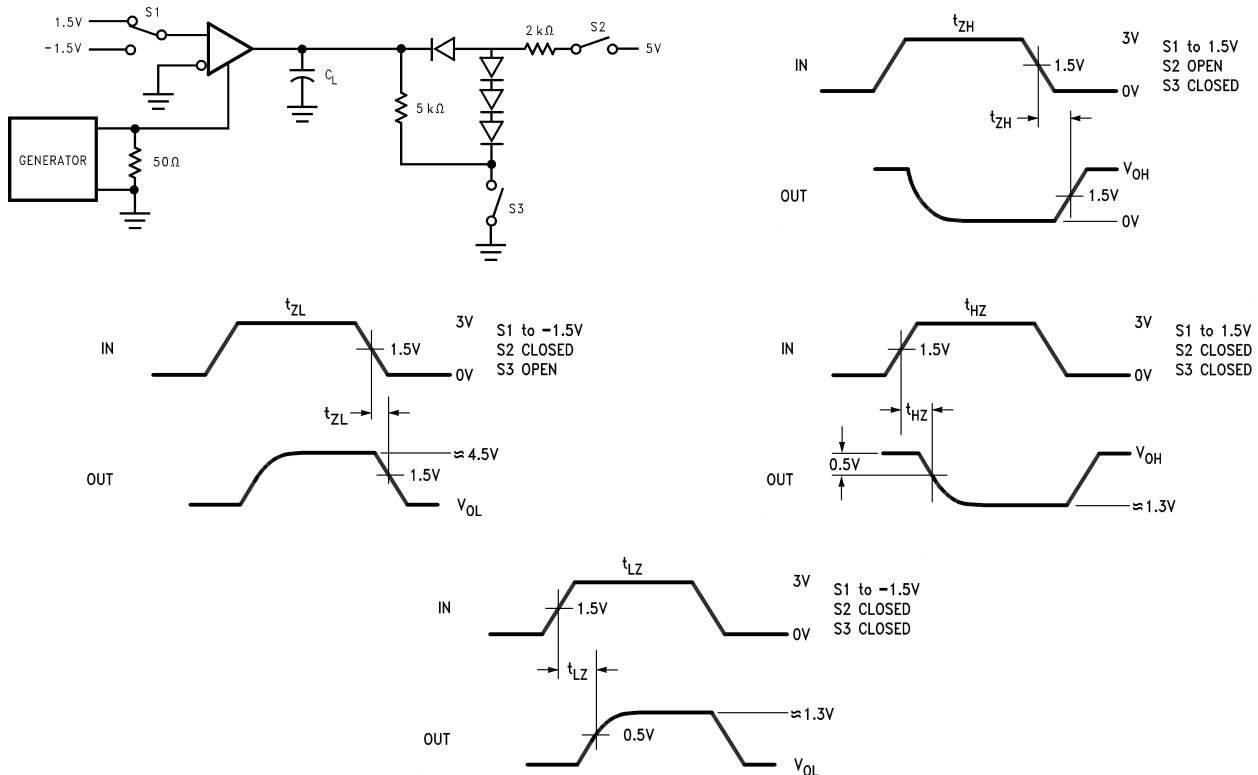
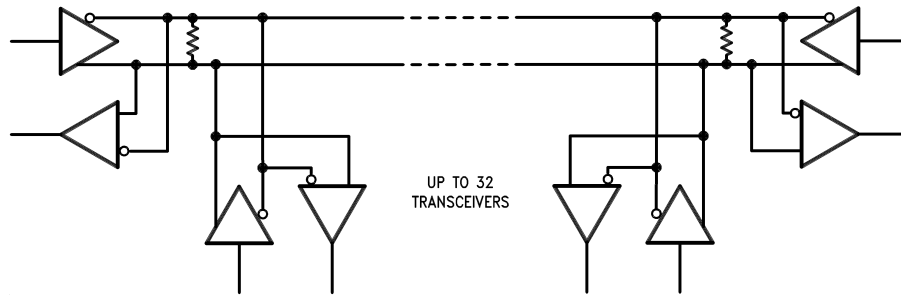


Figure 11. Receiver Enable and Disable Times⁽¹⁾⁽³⁾⁽⁴⁾

- (1) The input pulse is supplied by a generator having the following characteristics: PRR = 1.0 MHz, 50% duty cycle, $t_r \leq 6.0$ ns, $t_f \leq 6.0$ ns, $Z_O = 50\Omega$.
- (2) DS16F95 Driver enable is Active-High.
- (3) C_L includes probe and stray capacitance.
- (4) All diodes are 1N916 or equivalent.

Typical Application



The line should be terminated at both ends in its characteristic impedance, typically 120Ω. Stub lengths off the main line should be kept as short as possible.

REVISION HISTORY

Date Released	Revision	Section	Changes
9/23/2005	A	New Release, Corporate format	1 MDS data sheet converted into Corporate data sheet format. MDS data sheet MNDS16F95-X-RH, Rev. 0A1 will be Archived.
10/26/2010	B	Features, Ordering Table, Connection Diagrams W pkg, Absolute Ratings, Electricals - DC Receiver V_{T1} , AC Driver conditions, Physical Dimensions Mkt drawing	Update with current device information and format. Correction to rad info., Code K NSID's removed, removed reference to WG pkg, typo correction to conditions, Removed WG pkg drawing. Revision A will be Archived
4/12/2013	B	All	Changed layout of National Data Sheet to TI format.

PACKAGING INFORMATION

Orderable Device	Status (1)	Package Type	Package Drawing	Pins	Package Qty	Eco Plan (2)	Lead/Ball Finish (6)	MSL Peak Temp (3)	Op Temp (°C)	Device Marking (4/5)	Samples
5962-89615012A	ACTIVE	LCCC	NAJ	20	50	TBD	Call TI	Call TI	-55 to 125	DS16F95E /883 Q 5962-89615 012A ACO 012A >T	Samples
5962-8961501PA	ACTIVE	CDIP	NAB	8	40	TBD	Call TI	Call TI	-55 to 125	DS16F95J/883 5962-89615 01PA Q ACO (DS9638J/883 ~ DS9638J/883) 01PA Q >T	Samples
5962F8961501VHA	ACTIVE	CFP	NAD	10	19	TBD	Call TI	Call TI	-55 to 125	DS16F95 WFQMLV Q 5962F89615 01VHA ACO 01VHA >T	Samples
DS16F95 MDR	ACTIVE	DIESALE	Y	0	34	Green (RoHS & no Sb/Br)	Call TI	Level-1-NA-UNLIM	-55 to 125		Samples
DS16F95E/883	ACTIVE	LCCC	NAJ	20	50	TBD	Call TI	Call TI	-55 to 125	DS16F95E /883 Q 5962-89615 012A ACO 012A >T	Samples
DS16F95J/883	ACTIVE	CDIP	NAB	8	40	TBD	Call TI	Call TI	-55 to 125	DS16F95J/883 5962-89615 01PA Q ACO (DS9638J/883 ~ DS9638J/883) 01PA Q >T	Samples
DS16F95W/883	ACTIVE	CFP	NAD	10	19	TBD	Call TI	Call TI	-55 to 125	DS16F95W /883 Q ACO /883 Q >T	Samples
DS16F95WFQMLV	ACTIVE	CFP	NAD	10	19	TBD	Call TI	Call TI	-55 to 125	DS16F95 WFQMLV Q 5962F89615 01VHA ACO 01VHA >T	Samples

(1) The marketing status values are defined as follows:

ACTIVE: Product device recommended for new designs.

LIFEBUY: TI has announced that the device will be discontinued, and a lifetime-buy period is in effect.

NRND: Not recommended for new designs. Device is in production to support existing customers, but TI does not recommend using this part in a new design.

PREVIEW: Device has been announced but is not in production. Samples may or may not be available.

OBSOLETE: TI has discontinued the production of the device.

(2) Eco Plan - The planned eco-friendly classification: Pb-Free (RoHS), Pb-Free (RoHS Exempt), or Green (RoHS & no Sb/Br) - please check <http://www.ti.com/productcontent> for the latest availability information and additional product content details.

TBD: The Pb-Free/Green conversion plan has not been defined.

Pb-Free (RoHS): TI's terms "Lead-Free" or "Pb-Free" mean semiconductor products that are compatible with the current RoHS requirements for all 6 substances, including the requirement that lead not exceed 0.1% by weight in homogeneous materials. Where designed to be soldered at high temperatures, TI Pb-Free products are suitable for use in specified lead-free processes.

Pb-Free (RoHS Exempt): This component has a RoHS exemption for either 1) lead-based flip-chip solder bumps used between the die and package, or 2) lead-based die adhesive used between the die and leadframe. The component is otherwise considered Pb-Free (RoHS compatible) as defined above.

Green (RoHS & no Sb/Br): TI defines "Green" to mean Pb-Free (RoHS compatible), and free of Bromine (Br) and Antimony (Sb) based flame retardants (Br or Sb do not exceed 0.1% by weight in homogeneous material)

(3) MSL, Peak Temp. - The Moisture Sensitivity Level rating according to the JEDEC industry standard classifications, and peak solder temperature.

(4) There may be additional marking, which relates to the logo, the lot trace code information, or the environmental category on the device.

(5) Multiple Device Markings will be inside parentheses. Only one Device Marking contained in parentheses and separated by a "~" will appear on a device. If a line is indented then it is a continuation of the previous line and the two combined represent the entire Device Marking for that device.

(6) Lead/Ball Finish - Orderable Devices may have multiple material finish options. Finish options are separated by a vertical ruled line. Lead/Ball Finish values may wrap to two lines if the finish value exceeds the maximum column width.

Important Information and Disclaimer:The information provided on this page represents TI's knowledge and belief as of the date that it is provided. TI bases its knowledge and belief on information provided by third parties, and makes no representation or warranty as to the accuracy of such information. Efforts are underway to better integrate information from third parties. TI has taken and continues to take reasonable steps to provide representative and accurate information but may not have conducted destructive testing or chemical analysis on incoming materials and chemicals. TI and TI suppliers consider certain information to be proprietary, and thus CAS numbers and other limited information may not be available for release.

In no event shall TI's liability arising out of such information exceed the total purchase price of the TI part(s) at issue in this document sold by TI to Customer on an annual basis.

OTHER QUALIFIED VERSIONS OF DS16F95QML, DS16F95QML-SP :

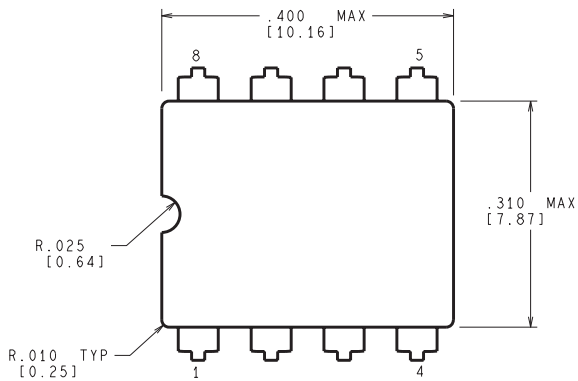
● Military: [DS16F95QML](#)

● Space: [DS16F95QML-SP](#)

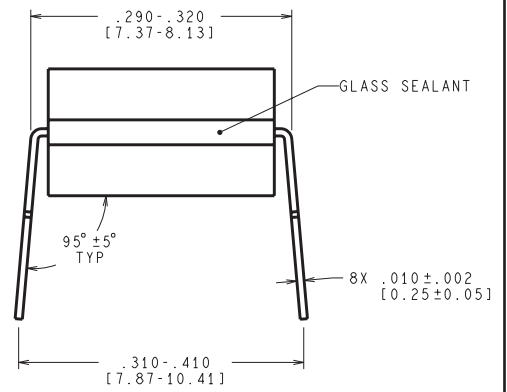
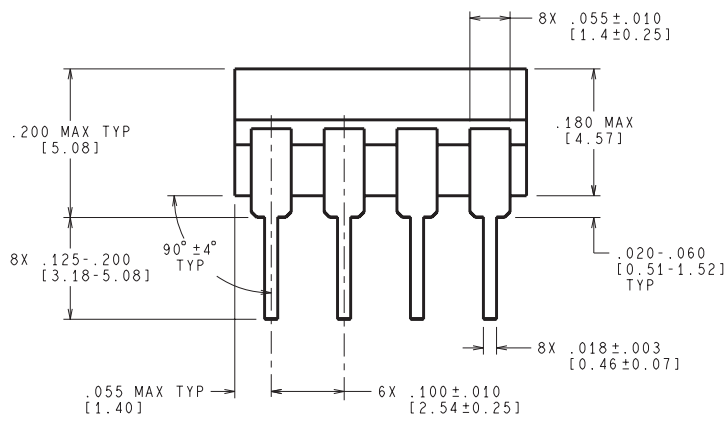
NOTE: Qualified Version Definitions:

- Military - QML certified for Military and Defense Applications
- Space - Radiation tolerant, ceramic packaging and qualified for use in Space-based application

NAB0008A

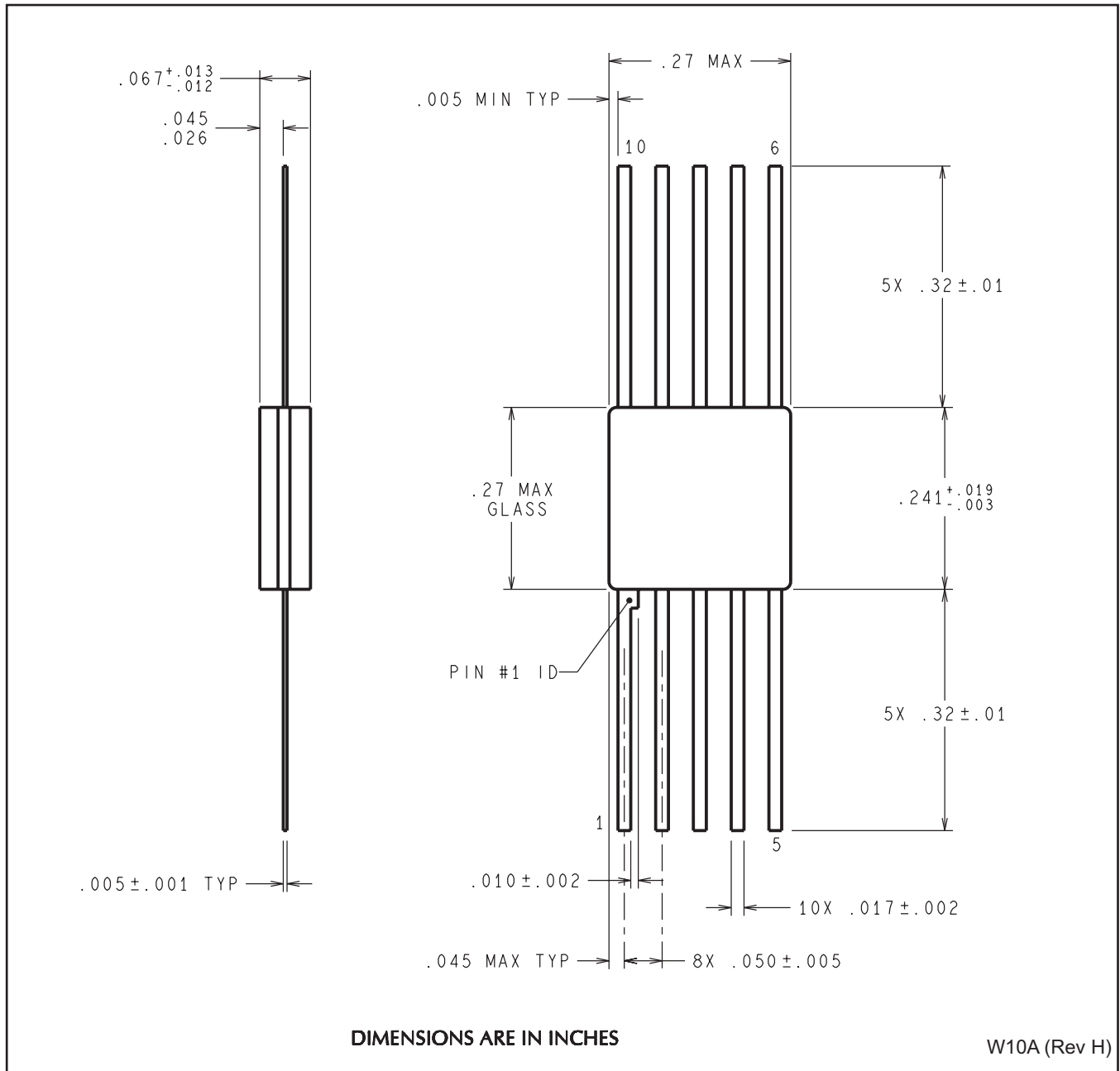


CONTROLLING DIMENSION IS INCH
VALUES IN [] ARE MILLIMETERS

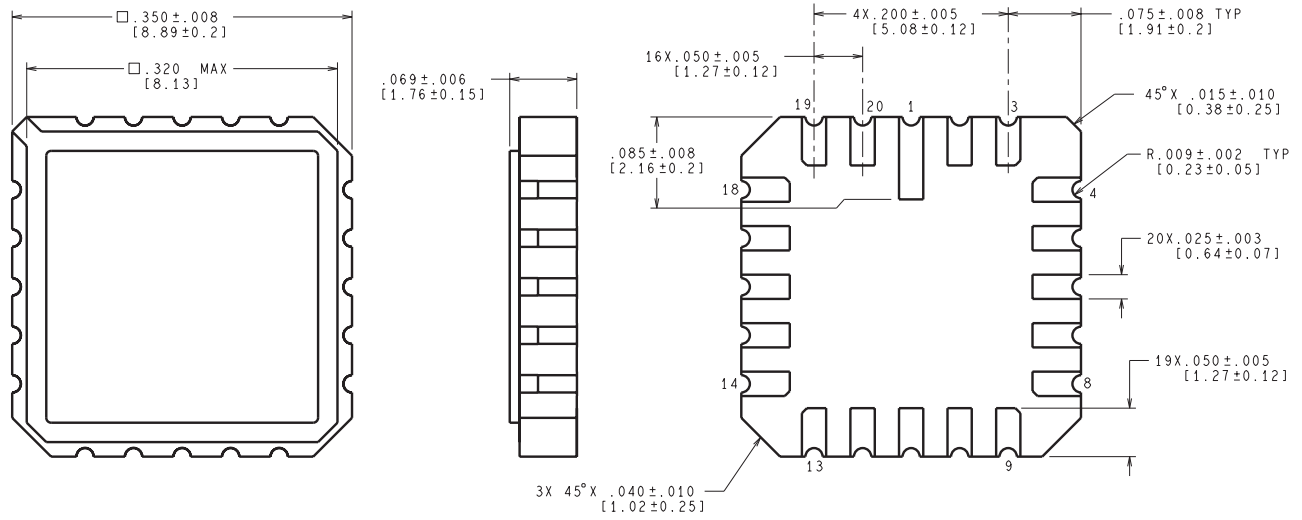


J08A (Rev M)

NAD0010A



NAJ0020A



CONTROLLING DIMENSION IS INCH
VALUES IN [] ARE MILLIMETERS

E20A (Rev F)

IMPORTANT NOTICE

Texas Instruments Incorporated and its subsidiaries (TI) reserve the right to make corrections, enhancements, improvements and other changes to its semiconductor products and services per JESD46, latest issue, and to discontinue any product or service per JESD48, latest issue. Buyers should obtain the latest relevant information before placing orders and should verify that such information is current and complete. All semiconductor products (also referred to herein as "components") are sold subject to TI's terms and conditions of sale supplied at the time of order acknowledgment.

TI warrants performance of its components to the specifications applicable at the time of sale, in accordance with the warranty in TI's terms and conditions of sale of semiconductor products. Testing and other quality control techniques are used to the extent TI deems necessary to support this warranty. Except where mandated by applicable law, testing of all parameters of each component is not necessarily performed.

TI assumes no liability for applications assistance or the design of Buyers' products. Buyers are responsible for their products and applications using TI components. To minimize the risks associated with Buyers' products and applications, Buyers should provide adequate design and operating safeguards.

TI does not warrant or represent that any license, either express or implied, is granted under any patent right, copyright, mask work right, or other intellectual property right relating to any combination, machine, or process in which TI components or services are used. Information published by TI regarding third-party products or services does not constitute a license to use such products or services or a warranty or endorsement thereof. Use of such information may require a license from a third party under the patents or other intellectual property of the third party, or a license from TI under the patents or other intellectual property of TI.

Reproduction of significant portions of TI information in TI data books or data sheets is permissible only if reproduction is without alteration and is accompanied by all associated warranties, conditions, limitations, and notices. TI is not responsible or liable for such altered documentation. Information of third parties may be subject to additional restrictions.

Resale of TI components or services with statements different from or beyond the parameters stated by TI for that component or service voids all express and any implied warranties for the associated TI component or service and is an unfair and deceptive business practice. TI is not responsible or liable for any such statements.

Buyer acknowledges and agrees that it is solely responsible for compliance with all legal, regulatory and safety-related requirements concerning its products, and any use of TI components in its applications, notwithstanding any applications-related information or support that may be provided by TI. Buyer represents and agrees that it has all the necessary expertise to create and implement safeguards which anticipate dangerous consequences of failures, monitor failures and their consequences, lessen the likelihood of failures that might cause harm and take appropriate remedial actions. Buyer will fully indemnify TI and its representatives against any damages arising out of the use of any TI components in safety-critical applications.

In some cases, TI components may be promoted specifically to facilitate safety-related applications. With such components, TI's goal is to help enable customers to design and create their own end-product solutions that meet applicable functional safety standards and requirements. Nonetheless, such components are subject to these terms.

No TI components are authorized for use in FDA Class III (or similar life-critical medical equipment) unless authorized officers of the parties have executed a special agreement specifically governing such use.

Only those TI components which TI has specifically designated as military grade or "enhanced plastic" are designed and intended for use in military/aerospace applications or environments. Buyer acknowledges and agrees that any military or aerospace use of TI components which have **not** been so designated is solely at the Buyer's risk, and that Buyer is solely responsible for compliance with all legal and regulatory requirements in connection with such use.

TI has specifically designated certain components as meeting ISO/TS16949 requirements, mainly for automotive use. In any case of use of non-designated products, TI will not be responsible for any failure to meet ISO/TS16949.

Products

Audio	www.ti.com/audio
Amplifiers	amplifier.ti.com
Data Converters	dataconverter.ti.com
DLP® Products	www.dlp.com
DSP	dsp.ti.com
Clocks and Timers	www.ti.com/clocks
Interface	interface.ti.com
Logic	logic.ti.com
Power Mgmt	power.ti.com
Microcontrollers	microcontroller.ti.com
RFID	www.ti-rfid.com
OMAP Applications Processors	www.ti.com/omap
Wireless Connectivity	www.ti.com/wirelessconnectivity

Applications

Automotive and Transportation	www.ti.com/automotive
Communications and Telecom	www.ti.com/communications
Computers and Peripherals	www.ti.com/computers
Consumer Electronics	www.ti.com/consumer-apps
Energy and Lighting	www.ti.com/energy
Industrial	www.ti.com/industrial
Medical	www.ti.com/medical
Security	www.ti.com/security
Space, Avionics and Defense	www.ti.com/space-avionics-defense
Video and Imaging	www.ti.com/video

TI E2E Community

e2e.ti.com