

## DS90CR217 +3.3V Rising Edge Data Strobe LVDS 21-Bit Channel Link - 85 MHz

Check for Samples: [DS90CR217](#)

### FEATURES

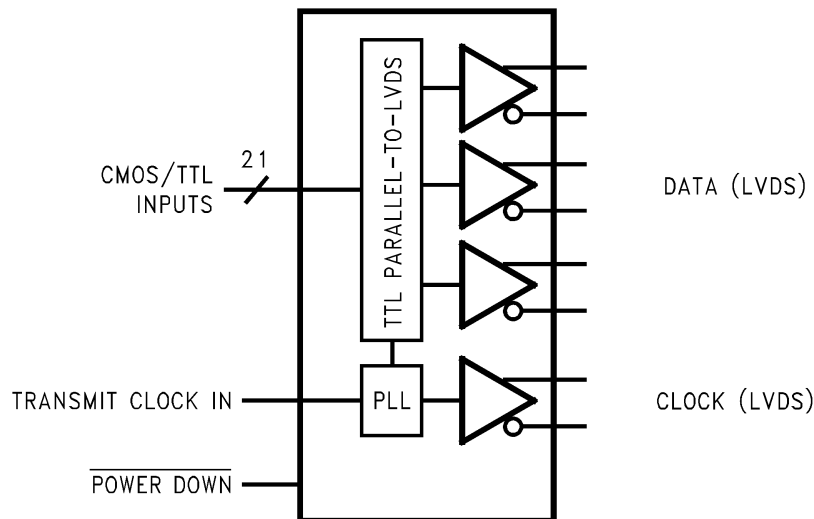
- 20 to 85 MHz Shift Clock Support
- 50% Duty Cycle on Receiver Output Clock
- Best-in-Class Set & Hold Times on TxINPUTs
- Low Power Consumption
- $\pm 1V$  Common-Mode Range (Around +1.2V)
- Narrow Bus Reduces Cable Size and Cost
- Up to 1.785 Gbps Throughput
- Up to 223 Mbytes/sec Bandwidth
- 345 mV (typ) Swing LVDS Devices for Low EMI
- PLL Requires No External Components
- Rising Edge Data Strobe
- Compatible with TIA/EIA-644 LVDS Standard
- Low Profile 48-Lead TSSOP Package

### DESCRIPTION

The DS90CR217 transmitter converts 21 bits of CMOS/TTL data into three LVDS (Low Voltage Differential Signaling) data streams. A phase-locked transmit clock is transmitted in parallel with the data streams over a fourth LVDS link. Every cycle of the transmit clock 21 bits of input data are sampled and transmitted. At a transmit clock frequency of 85 MHz, 21 bits of TTL data are transmitted at a rate of 595 Mbps per LVDS data channel. Using a 85 MHz clock, the data throughput is 1.785 Gbit/s (223 Mbytes/sec).

The narrow bus and LVDS signalling of the DS90CR217 is an ideal means to solve EMI and cable size problems associated with wide, high-speed TTL interfaces.

### Block Diagram



**Figure 1. DS90CR217**  
See Package Number DGG0048A



Please be aware that an important notice concerning availability, standard warranty, and use in critical applications of Texas Instruments semiconductor products and disclaimers thereto appears at the end of this data sheet.

All trademarks are the property of their respective owners.

Connection Diagrams

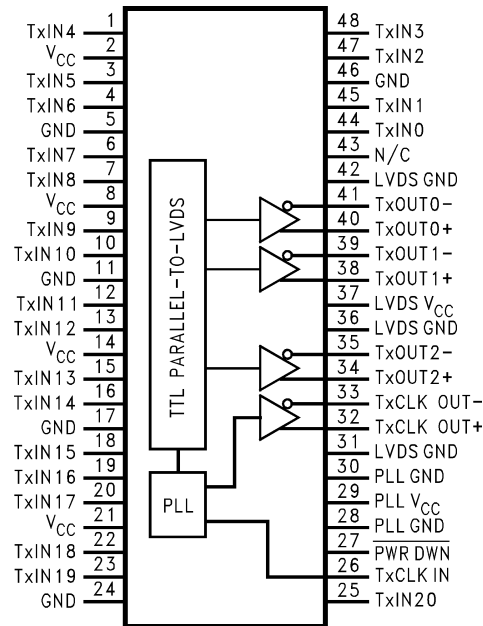
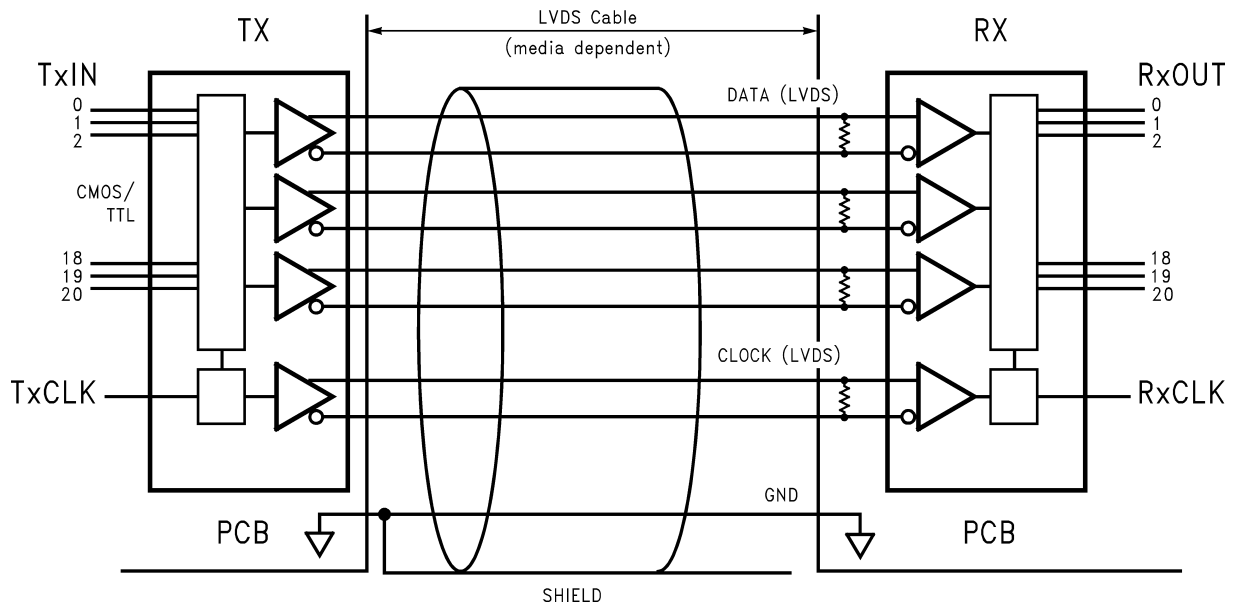


Figure 2.

Typical Application



These devices have limited built-in ESD protection. The leads should be shorted together or the device placed in conductive foam during storage or handling to prevent electrostatic damage to the MOS gates.

**Absolute Maximum Ratings** <sup>(1)(2)(1)</sup>

|   |                              |
|---|------------------------------|
| Supply Voltage ( $V_{CC}$ )               | -0.3V to +4V                 |
| CMOS/TTL Input Voltage                    | -0.5V to ( $V_{CC} + 0.3V$ ) |
| CMOS/TTL Output Voltage                   | -0.3V to ( $V_{CC} + 0.3V$ ) |
| LVDS Receiver Input Voltage               | -0.3V to ( $V_{CC} + 0.3V$ ) |
| LVDS Driver Output Voltage                | -0.3V to ( $V_{CC} + 0.3V$ ) |
| LVDS Output Short                         |                              |
| Circuit Duration                          | Continuous                   |
| Junction Temperature                      | +150°C                       |
| Storage Temperature Range                 | -65°C to +150°C              |
| Lead Temperature                          |                              |
| (Soldering, 4 sec.)                       | +260°C                       |
| Maximum Package Power Dissipation @ +25°C |                              |
| DGG0048A (TSSOP) Package:                 |                              |
| DS90CR217                                 | 1.98 W                       |
| Package Derating                          |                              |
| DS90CR217                                 | 16 mW/°C above +25°C         |
| ESD Rating                                |                              |
| (HBM, 1.5k $\Omega$ , 100pF)              | > 7kV                        |
| (EIAJ, 0 $\Omega$ , 200pF)                | > 700V                       |
| Latch Up Tolerance @ 25°C                 | > $\pm 300$ mA               |

- (1) If Military/Aerospace specified devices are required, please contact the Texas Instruments Sales Office/ Distributors for availability and specifications.
- (2) "Absolute Maximum Ratings" are those values beyond which the safety of the device cannot be guaranteed. They are not meant to imply that the device should be operated at these limits. "Electrical Characteristics" specify conditions for device operation.

**Recommended Operating Conditions**

|                                   | Min | Nom | Max | Units            |
|-----------------------------------|-----|-----|-----|------------------|
| Supply Voltage ( $V_{CC}$ )       | 3.0 | 3.3 | 3.6 | V                |
| Operating Free Air                |     |     |     |                  |
| Temperature ( $T_A$ )             | -10 | +25 | +70 | °C               |
| Receiver Input Range              | 0   |     | 2.4 | V                |
| Supply Noise Voltage ( $V_{CC}$ ) |     |     | 100 | mV <sub>PP</sub> |

**Electrical Characteristics**

Over recommended operating supply and temperature ranges unless otherwise specified

| Symbol                               | Parameter  | Conditions                        | Min | Typ   | Max      | Units   |
|--------------------------------------|--|-----------------------------------|-----|-------|----------|---------|
| <b>CMOS/TTL DC SPECIFICATIONS</b>    |  |                                   |     |       |          |         |
| $V_{IH}$                             | High Level Input Voltage                               |                                   | 2.0 |       | $V_{CC}$ | V       |
| $V_{IL}$                             | Low Level Input Voltage                                |                                   | GND |       | 0.8      | V       |
| $V_{CL}$                             | Input Clamp Voltage                                    | $I_{CL} = -18$ mA                 |     | -0.79 | -1.5     | V       |
| $I_{IN}$                             | Input Current  | $V_{IN} = 0.4V, 2.5V$ or $V_{CC}$ |     | +1.8  | +15      | $\mu$ A |
|                                      |  | $V_{IN} = GND$                    | -10 | 0     |          | $\mu$ A |
| $I_{OS}$                             | Output Short Circuit Current                           | $V_{OUT} = 0V$                    |     | -60   | -120     | mA      |
| <b>LVDS DRIVER DC SPECIFICATIONS</b> |  |                                   |     |       |          |         |
| $V_{OD}$                             | Differential Output Voltage                            | $R_L = 100\Omega$                 | 250 | 290   | 450      | mV      |
| $\Delta V_{OD}$                      | Change in $V_{OD}$ between Complimentary Output States |                                   |     |       | 35       | mV      |

## Electrical Characteristics (continued)

Over recommended operating supply and temperature ranges unless otherwise specified

| Symbol                            | Parameter  | Conditions  | Min                 | Typ     | Max       | Units   |    |
|-----------------------------------|--|---|---------------------|---------|-----------|---------|----|
| $V_{OS}$                          | Offset Voltage <sup>(1)</sup>                          |   | 1.12<br>5           | 1.25    | 1.37<br>5 | V       |    |
| $\Delta V_{OS}$                   | Change in $V_{OS}$ between Complimentary Output States |   |                     |         | 35        | mV      |    |
| $I_{OS}$                          | Output Short Circuit Current                           | $V_{OUT} = 0V, R_L = 100\Omega$   |                     | -3.5    | -5        | mA      |    |
| $I_{OZ}$                          | Output TRI-STATE Current                               | $\overline{PWR\ DWN} = 0V, V_{OUT} = 0V \text{ or } V_{CC}$                                 |                     | $\pm 1$ | $\pm 10$  | $\mu A$ |    |
| <b>TRANSMITTER SUPPLY CURRENT</b> |  |   |                     |         |           |         |    |
| $I_{CCTW}$                        | Transmitter Supply Current Worst Case (with Loads)     | $R_L = 100\Omega,$<br>$C_L = 5\text{ pF},$<br>Worst Case Pattern<br>(Figure 3 and Figure 4) | $f = 33\text{ MHz}$ |         | 28        | 42      | mA |
|                                   |  |   | $f = 40\text{ MHz}$ |         | 29        | 47      | mA |
|                                   |  |   | $f = 66\text{ MHz}$ |         | 34        | 52      | mA |
|                                   |  |   | $f = 85\text{ MHz}$ |         | 39        | 57      | mA |
| $I_{CCTZ}$                        | Transmitter Supply Current Power Down                  | $\overline{PWR\ DWN} = \text{Low}$<br>Driver Outputs in TRI-STATE<br>under Powerdown Mode   |                     | 10      | 55        | $\mu A$ |    |

(1)  $V_{OS}$  previously referred as  $V_{CM}$ .

## Transmitter Switching Characteristics

Over recommended operating supply and temperature ranges unless otherwise specified

| Symbol | Parameter  | Min                 | Typ   | Max   | Units |    |
|--------|--|---------------------|-------|-------|-------|----|
| LLHT   | LVDS Low-to-High Transition Time (Figure 4)                    |                     | 0.75  | 1.5   | ns    |    |
| LHLT   | LVDS High-to-Low Transition Time (Figure 4)                    |                     | 0.75  | 1.5   | ns    |    |
| TCIT   | TxCLK IN Transition Time (Figure 5)                            | 1.0                 |       | 6.0   | ns    |    |
| TPPos0 | Transmitter Output Pulse Position for Bit0 (Figure 12)         | $f = 85\text{ MHz}$ | -0.20 | 0     | 0.20  | ns |
| TPPos1 | Transmitter Output Pulse Position for Bit1                     |                     | 1.48  | 1.68  | 1.88  | ns |
| TPPos2 | Transmitter Output Pulse Position for Bit2                     |                     | 3.16  | 3.36  | 3.56  | ns |
| TPPos3 | Transmitter Output Pulse Position for Bit3                     |                     | 4.84  | 5.04  | 5.24  | ns |
| TPPos4 | Transmitter Output Pulse Position for Bit4                     |                     | 6.52  | 6.72  | 6.92  | ns |
| TPPos5 | Transmitter Output Pulse Position for Bit5                     |                     | 8.20  | 8.40  | 8.60  | ns |
| TPPos6 | Transmitter Output Pulse Position for Bit6                     |                     | 9.88  | 10.08 | 10.28 | ns |
| TCIP   | TxCLK IN Period (Figure 7)                                     | 11.76               | T     | 50    | ns    |    |
| TCIH   | TxCLK IN High Time (Figure 7)                                  | 0.35T               | 0.5T  | 0.65T | ns    |    |
| TCIL   | TxCLK IN Low Time (Figure 7)                                   | 0.35T               | 0.5T  | 0.65T | ns    |    |
| TSTC   | TxIN Setup to TxCLK IN (Figure 7)                              | $f = 85\text{ MHz}$ | 2.5   |       | ns    |    |
| THTC   | TxIN Hold to TxCLK IN (Figure 7)                               |                     | 0     |       | ns    |    |
| TCCD   | TxCLK IN to TxCLK OUT Delay @ 25°C, $V_{CC} = 3.3V$ (Figure 8) | 3.8                 |       | 6.3   | ns    |    |
| TPLLS  | Transmitter Phase Lock Loop Set (Figure 9)                     |                     |       | 10    | ms    |    |
| TPDD   | Transmitter Powerdown Delay (Figure 11)                        |                     |       | 100   | ns    |    |
| TJIT   | TxCLK IN Cycle-to-Cycle Jitter                                 |                     |       | 2     | ns    |    |

AC Timing Diagrams

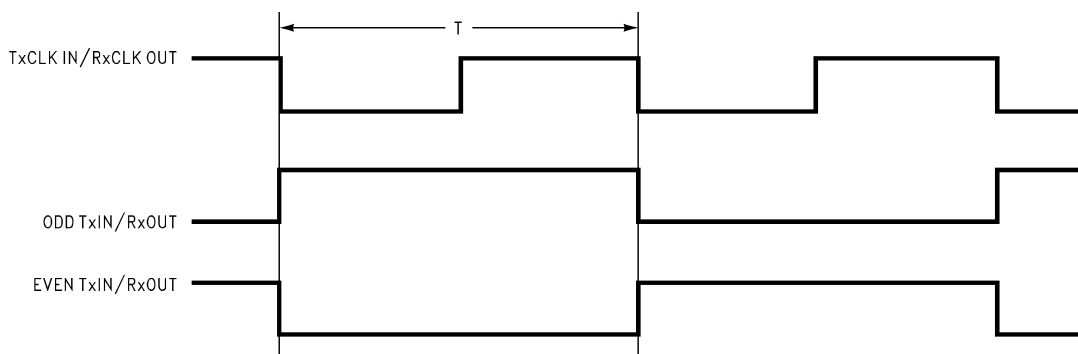


Figure 3. "Worst Case" Test Pattern

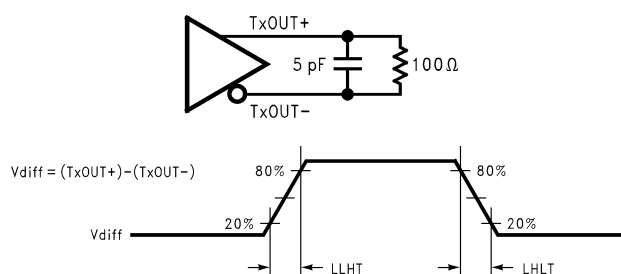


Figure 4. DS90CR217 (Transmitter) LVDS Output Load and Transition Times

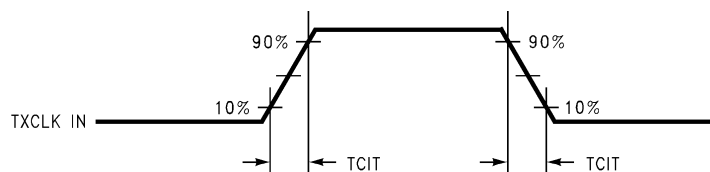
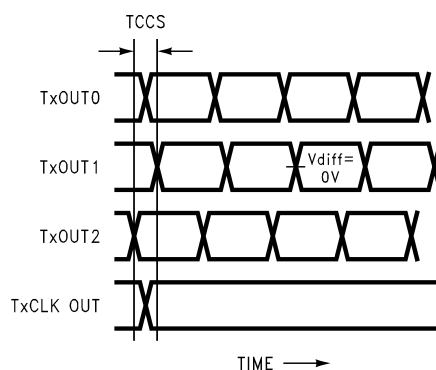


Figure 5. D590CR217 (Transmitter) Input Clock Transition Time



Measurements at  $V_{DIFF} = 0V$   
 TCCS measured between earliest and latest LVDS edges  
 TxCLK Differential Low→High Edge

Figure 6. DS90CR217 (Transmitter) Channel-to-Channel Skew

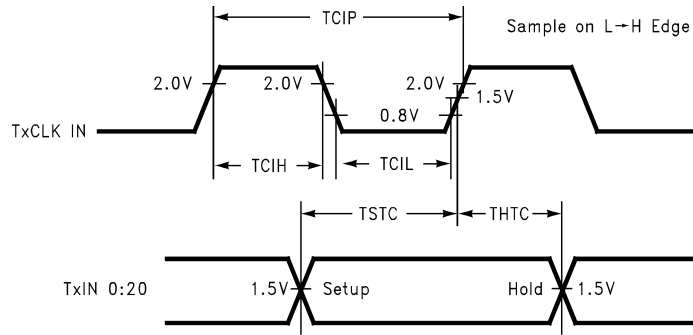


Figure 7. DS90CR217 (Transmitter) Setup/Hold and High/Low Times

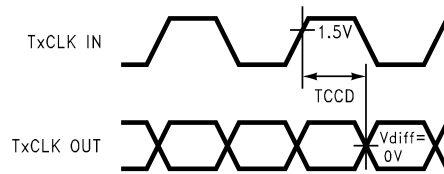


Figure 8. DS90CR217 (Transmitter) Clock In to Clock Out Delay

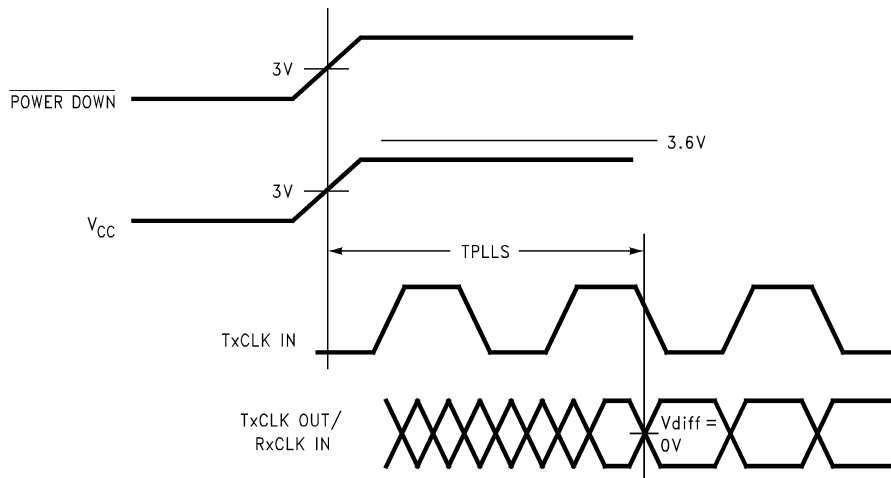


Figure 9. DS90CR217 (Transmitter) Phase Lock Loop Set Time

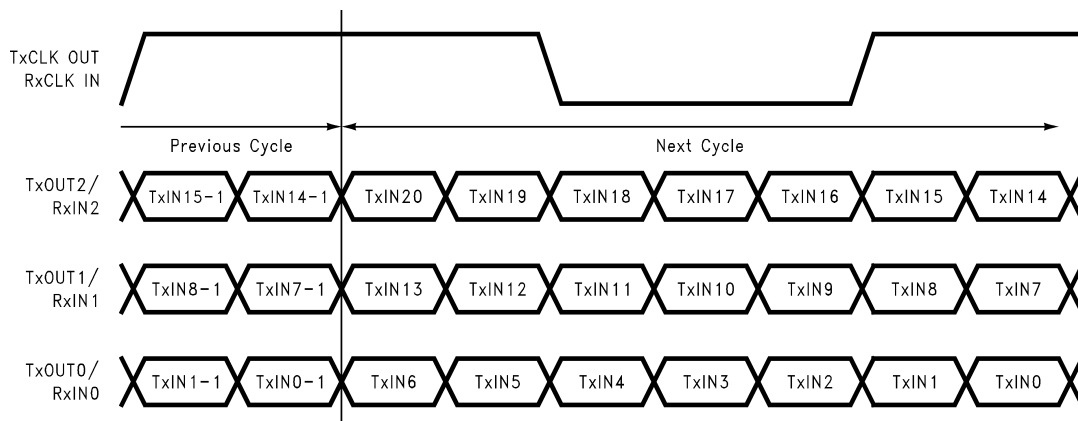


Figure 10. 21 Parallel TTL Data Inputs Mapped to LVDS Outputs (DS90CR217)

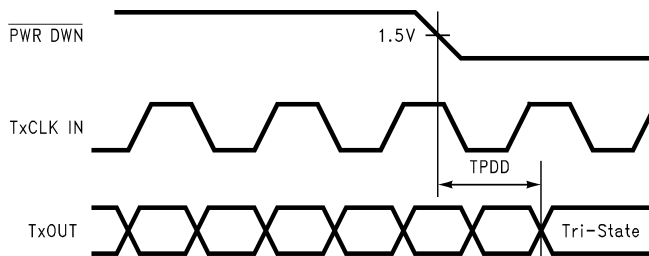


Figure 11. Transmitter Powerdown Delay

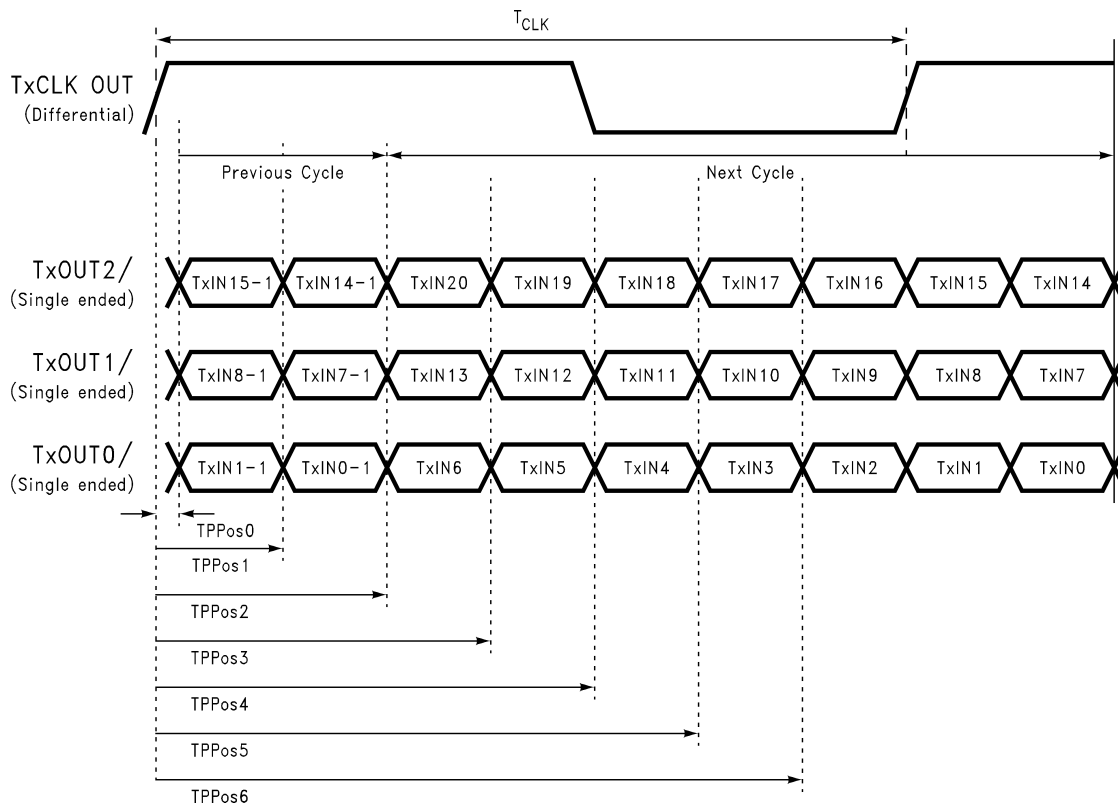


Figure 12. Transmitter LVDS Output Pulse Position Measurement

## APPLICATIONS INFORMATION

**Table 1. DS90CR217 PIN DESCRIPTIONS — CHANNEL LINK TRANSMITTER**

| Pin Name                    | I/O | No. | Description  |
|-----------------------------|-----|-----|--|
| TxIN                        | I   | 21  | TTL level input.   |
| TxOUT+                      | O   | 3   | Positive LVDS differential data output.  |
| TxOUT-                      | O   | 3   | Negative LVDS differential data output.  |
| TxCLK IN                    | I   | 1   | TTL level clock input. The rising edge acts as data strobe. Pin name TxCLK IN.   |
| TxCLK OUT+                  | O   | 1   | Positive LVDS differential clock output.   |
| TxCLK OUT-                  | O   | 1   | Negative LVDS differential clock output.   |
| $\overline{\text{PWR DWN}}$ | I   | 1   | TTL level input. Assertion (low input) TRI-STATEs the outputs, ensuring low current at power down. See Applications Information section. |
| V <sub>CC</sub>             | I   | 4   | Power supply pins for TTL inputs.  |
| GND                         | I   | 5   | Ground pins for TTL inputs.  |
| PLL V <sub>CC</sub>         | I   | 1   | Power supply pins for PLL.   |
| PLL GND                     | I   | 2   | Ground pins for PLL.   |
| LVDS V <sub>CC</sub>        | I   | 1   | Power supply pin for LVDS outputs.   |
| LVDS GND                    | I   | 3   | Ground pins for LVDS outputs.  |

The Channel Link devices are intended to be used in a wide variety of data transmission applications. Depending upon the application the interconnecting media may vary. For example, for lower data rate (clock rate) and shorter cable lengths (< 2m), the media electrical performance is less critical. For higher speed/long distance applications the media's performance becomes more critical. Certain cable constructions provide tighter skew (matched electrical length between the conductors and pairs). Twin-coax for example, has been demonstrated at distances as great as 5 meters and with the maximum data transfer of 1.785 Gbit/s. Additional applications information can be found in the following Interface Application Notes:

| AN = ####                           | Topic   |
|-------------------------------------|---|
| AN-1041 ( <a href="#">SNLA218</a> ) | Introduction to Channel Link                              |
| AN-1108 ( <a href="#">SNLA008</a> ) | Channel Link PCB and Interconnect Design-In Guidelines    |
| AN-1109 ( <a href="#">SNLA220</a> ) | Multi-Drop Channel-Link Operation                         |
| AN-806 ( <a href="#">SNLA026</a> )  | Transmission Line Theory                                  |
| AN-905 ( <a href="#">SNLA035</a> )  | Transmission Line Calculations and Differential Impedance |
| AN-916 ( <a href="#">SNLA219</a> )  | Cable Information   |

### CABLES

A cable interface between the transmitter and receiver needs to support the differential LVDS pairs. The ideal cable/connector interface would have a constant 100Ω differential impedance throughout the path. It is also recommended that cable skew remain below 90ps (@ 85 MHz clock rate) to maintain a sufficient data sampling window at the receiver.

In addition to the four or five cable pairs that carry data and clock, it is recommended to provide at least one additional conductor (or pair) which connects ground between the transmitter and receiver. This low impedance ground provides a common-mode return path for the two devices. Some of the more commonly used cable types for point-to-point applications include flat ribbon, flex, twisted pair and Twin-Coax. All are available in a variety of configurations and options. Flat ribbon cable, flex and twisted pair generally perform well in short point-to-point applications while Twin-Coax is good for short and long applications. When using ribbon cable, it is recommended to place a ground line between each differential pair to act as a barrier to noise coupling between adjacent pairs. For Twin-Coax cable applications, it is recommended to utilize a shield on each cable pair. All extended point-to-point applications should also employ an overall shield surrounding all cable pairs regardless of the cable type. This overall shield results in improved transmission parameters such as faster attainable speeds, longer distances between transmitter and receiver and reduced problems associated with EMS or EMI.



The high-speed transport of LVDS signals has been demonstrated on several types of cables with excellent results. However, the best overall performance has been seen when using Twin-Coax cable. Twin-Coax has very low cable skew and EMI due to its construction and double shielding. All of the design considerations discussed here and listed in the supplemental application notes provide the subsystem communications designer with many useful guidelines. It is recommended that the designer assess the tradeoffs of each application thoroughly to arrive at a reliable and economical cable solution.

## BOARD LAYOUT

To obtain the maximum benefit from the noise and EMI reductions of LVDS, attention should be paid to the layout of differential lines. Lines of a differential pair should always be adjacent to eliminate noise interference from other signals and take full advantage of the noise canceling of the differential signals. The board designer should also try to maintain equal length on signal traces for a given differential pair. As with any high-speed design, the impedance discontinuities should be limited (reduce the numbers of vias and no 90 degree angles on traces). Any discontinuities which do occur on one signal line should be mirrored in the other line of the differential pair. Care should be taken to ensure that the differential trace impedance match the differential impedance of the selected physical media (this impedance should also match the value of the termination resistor that is connected across the differential pair at the receiver's input). Finally, the location of the CHANNEL LINK TxOUT pins should be as close as possible to the board edge so as to eliminate excessive pcb runs. All of these considerations will limit reflections and crosstalk which adversely effect high frequency performance and EMI.

## UNUSED INPUTS

All unused inputs at the TxIN inputs of the transmitter may be tied to ground or left no connect.

## TERMINATION

Use of current mode drivers requires a terminating resistor across the receiver inputs. The CHANNEL LINK chipset will normally require a single 100Ω resistor between the true and complement lines on each differential pair of the receiver input. The actual value of the termination resistor should be selected to match the differential mode characteristic impedance (90Ω to 120Ω typical) of the cable. Figure 13 shows an example. No additional pull-up or pull-down resistors are necessary as with some other differential technologies such as PECL. Surface mount resistors are recommended to avoid the additional inductance that accompanies leaded resistors. These resistors should be placed as close as possible to the receiver input pins to reduce stubs and effectively terminate the differential lines.

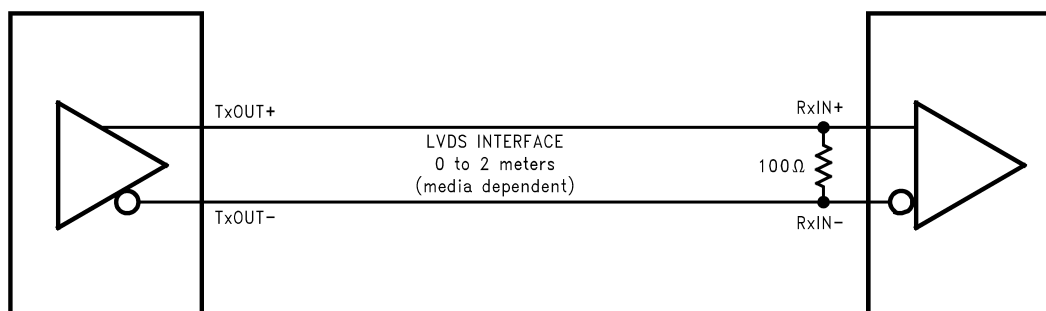
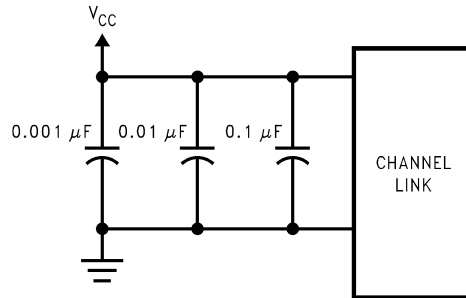


Figure 13. LVDS Serialized Link Termination

## DECOUPLING CAPACITORS

Bypassing capacitors are needed to reduce the impact of switching noise which could limit performance. For a conservative approach three parallel-connected decoupling capacitors (Multi-Layered Ceramic type in surface mount form factor) between each  $V_{CC}$  and the ground plane(s) are recommended. The three capacitor values are 0.1 μF, 0.01 μF and 0.001 μF. An example is shown in Figure 14. The designer should employ wide traces for power and ground and ensure each capacitor has its own via to the ground plane. If board space is limiting the number of bypass capacitors, the PLL  $V_{CC}$  should receive the most filtering/bypassing. Next would be the LVDS  $V_{CC}$  pins and finally the logic  $V_{CC}$  pins.



**Figure 14. CHANNEL LINK  
Decoupling Configuration**

## CLOCK JITTER

The CHANNEL LINK devices employ a PLL to generate and recover the clock transmitted across the LVDS interface. The width of each bit in the serialized LVDS data stream is one-seventh the clock period. For example, a 85 MHz clock has a period of 11.76 ns which results in a data bit width of 1.68 ns. Differential skew ( $\Delta t$  within one differential pair), interconnect skew ( $\Delta t$  of one differential pair to another) and clock jitter will all reduce the available window for sampling the LVDS serial data streams. Care must be taken to ensure that the clock input to the transmitter be a clean low noise signal. Individual bypassing of each  $V_{CC}$  to ground will minimize the noise passed on to the PLL, thus creating a low jitter LVDS clock. These measures provide more margin for channel-to-channel skew and interconnect skew as a part of the overall jitter/skew budget.

## COMMON-MODE vs. DIFFERENTIAL MODE NOISE MARGIN

The typical signal swing for LVDS is 300 mV centered at +1.2V. The CHANNEL LINK receiver supports a 100 mV threshold therefore providing approximately 200 mV of differential noise margin. Common-mode protection is of more importance to the system's operation due to the differential data transmission. LVDS supports an input voltage range of Ground to +2.4V. This allows for a  $\pm 1.0V$  shifting of the center point due to ground potential differences and common-mode noise.

## TRANSMITTER INPUT CLOCK

The transmitter input clock must always be present when the device is enabled ( $\overline{PWR\ DWN} = \text{HIGH}$ ). If the clock is stopped, the  $\overline{PWR\ DWN}$  pin must be used to disable the PLL. The  $\overline{PWR\ DWN}$  pin must be held low until after the input clock signal has been reapplied. This will ensure a proper device reset and PLL lock to occur.

## POWER SEQUENCING AND POWERDOWN MODE

Outputs of the CHANNEL LINK transmitter remain in TRI-STATE until the power supply reaches 2V. Clock and data outputs will begin to toggle 10 ms after  $V_{CC}$  has reached 3V and the Powerdown pin is above 1.5V. Either device may be placed into a powerdown mode at any time by asserting the Powerdown pin (active low). Total power dissipation for each device will decrease to 5  $\mu W$  (typical).

The transmitter input clock may be applied prior to powering up and enabling the transmitter. The transmitter input clock may also be applied after power up; however, the use of the  $\overline{PWR\ DWN}$  pin is required as described in the [TRANSMITTER INPUT CLOCK](#) section. Do not power up and enable ( $\overline{PWR\ DWN} = \text{HIGH}$ ) the transmitter without a valid clock signal applied to the TxCLK IN pin.

The CHANNEL LINK chipset is designed to protect itself from accidental loss of power to either the transmitter or receiver. If power to the transmit board is lost, the receiver clocks (input and output) stop. The data outputs (RxOUT) retain the states they were in when the clocks stopped. When the receiver board loses power, the receiver inputs are shorted to  $V_{CC}$  through an internal diode. Current is limited (5 mA per input) by the fixed current mode drivers, thus avoiding the potential for latchup when powering the device.

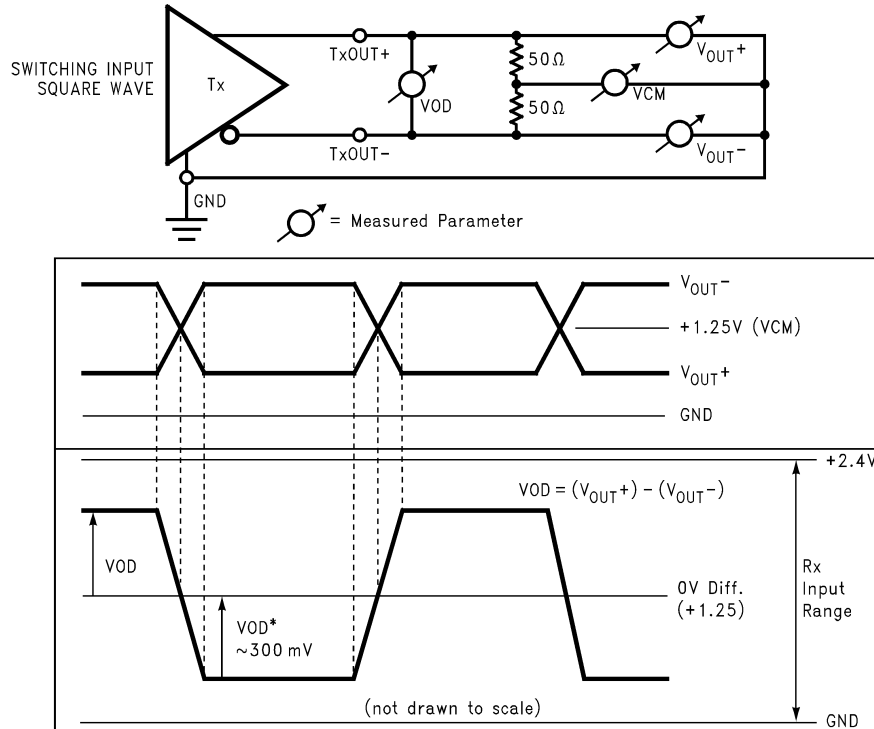


Figure 15. Single-Ended and Differential Waveforms

## REVISION HISTORY

| Changes from Original (February 2013) to Revision A        | Page               |
|--|--------------------|
| • Changed layout of National Data Sheet to TI format ..... | <a href="#">11</a> |

**PACKAGING INFORMATION**

| Orderable part number              | Status<br>(1) | Material type<br>(2) | Package   Pins   | Package qty   Carrier | RoHS<br>(3) | Lead finish/<br>Ball material<br>(4) | MSL rating/<br>Peak reflow<br>(5) | Op temp (°C) | Part marking<br>(6) |
|------------------------------------|---------------|----------------------|------------------|-----------------------|-------------|--------------------------------------|-----------------------------------|--------------|---------------------|
| <a href="#">DS90CR217MTD/NOPB</a>  | Active        | Production           | TSSOP (DGG)   48 | 38   TUBE             | Yes         | SN                                   | Level-2-260C-1 YEAR               | -10 to 70    | DS90CR217MTD<br>>B  |
| DS90CR217MTD/NOPB.B                | Active        | Production           | TSSOP (DGG)   48 | 38   TUBE             | Yes         | SN                                   | Level-2-260C-1 YEAR               | -10 to 70    | DS90CR217MTD<br>>B  |
| <a href="#">DS90CR217MTDX/NOPB</a> | Active        | Production           | TSSOP (DGG)   48 | 1000   LARGE T&R      | Yes         | SN                                   | Level-2-260C-1 YEAR               | -10 to 70    | DS90CR217MTD<br>>B  |
| DS90CR217MTDX/NOPB.B               | Active        | Production           | TSSOP (DGG)   48 | 1000   LARGE T&R      | Yes         | SN                                   | Level-2-260C-1 YEAR               | -10 to 70    | DS90CR217MTD<br>>B  |

(1) **Status:** For more details on status, see our [product life cycle](#).

(2) **Material type:** When designated, preproduction parts are prototypes/experimental devices, and are not yet approved or released for full production. Testing and final process, including without limitation quality assurance, reliability performance testing, and/or process qualification, may not yet be complete, and this item is subject to further changes or possible discontinuation. If available for ordering, purchases will be subject to an additional waiver at checkout, and are intended for early internal evaluation purposes only. These items are sold without warranties of any kind.

(3) **RoHS values:** Yes, No, RoHS Exempt. See the [TI RoHS Statement](#) for additional information and value definition.

(4) **Lead finish/Ball material:** Parts may have multiple material finish options. Finish options are separated by a vertical ruled line. Lead finish/Ball material values may wrap to two lines if the finish value exceeds the maximum column width.

(5) **MSL rating/Peak reflow:** The moisture sensitivity level ratings and peak solder (reflow) temperatures. In the event that a part has multiple moisture sensitivity ratings, only the lowest level per JEDEC standards is shown. Refer to the shipping label for the actual reflow temperature that will be used to mount the part to the printed circuit board.

(6) **Part marking:** There may be an additional marking, which relates to the logo, the lot trace code information, or the environmental category of the part.

Multiple part markings will be inside parentheses. Only one part marking contained in parentheses and separated by a "-" will appear on a part. If a line is indented then it is a continuation of the previous line and the two combined represent the entire part marking for that device.

**Important Information and Disclaimer:** The information provided on this page represents TI's knowledge and belief as of the date that it is provided. TI bases its knowledge and belief on information provided by third parties, and makes no representation or warranty as to the accuracy of such information. Efforts are underway to better integrate information from third parties. TI has taken and continues to take reasonable steps to provide representative and accurate information but may not have conducted destructive testing or chemical analysis on incoming materials and chemicals. TI and TI suppliers consider certain information to be proprietary, and thus CAS numbers and other limited information may not be available for release.

In no event shall TI's liability arising out of such information exceed the total purchase price of the TI part(s) at issue in this document sold by TI to Customer on an annual basis.



**TAPE AND REEL INFORMATION**

**QUADRANT ASSIGNMENTS FOR PIN 1 ORIENTATION IN TAPE**


\*All dimensions are nominal

| Device             | Package Type | Package Drawing | Pins | SPQ  | Reel Diameter (mm) | Reel Width W1 (mm) | A0 (mm) | B0 (mm) | K0 (mm) | P1 (mm) | W (mm) | Pin1 Quadrant |
|--------------------|--------------|-----------------|------|------|--------------------|--------------------|---------|---------|---------|---------|--------|---------------|
| DS90CR217MTDX/NOPB | TSSOP        | DGG             | 48   | 1000 | 330.0              | 24.4               | 8.6     | 13.2    | 1.6     | 12.0    | 24.0   | Q1            |

**TAPE AND REEL BOX DIMENSIONS**


\*All dimensions are nominal

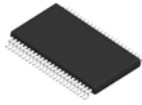
| Device             | Package Type | Package Drawing | Pins | SPQ  | Length (mm) | Width (mm) | Height (mm) |
|--------------------|--------------|-----------------|------|------|-------------|------------|-------------|
| DS90CR217MTDX/NOPB | TSSOP        | DGG             | 48   | 1000 | 356.0       | 356.0      | 45.0        |



**TUBE**


\*All dimensions are nominal

| Device              | Package Name | Package Type | Pins | SPQ | L (mm) | W (mm) | T (μm) | B (mm) |
|---------------------|--------------|--------------|------|-----|--------|--------|--------|--------|
| DS90CR217MTD/NOPB   | DGG          | TSSOP        | 48   | 38  | 495    | 10     | 2540   | 5.79   |
| DS90CR217MTD/NOPB.B | DGG          | TSSOP        | 48   | 38  | 495    | 10     | 2540   | 5.79   |

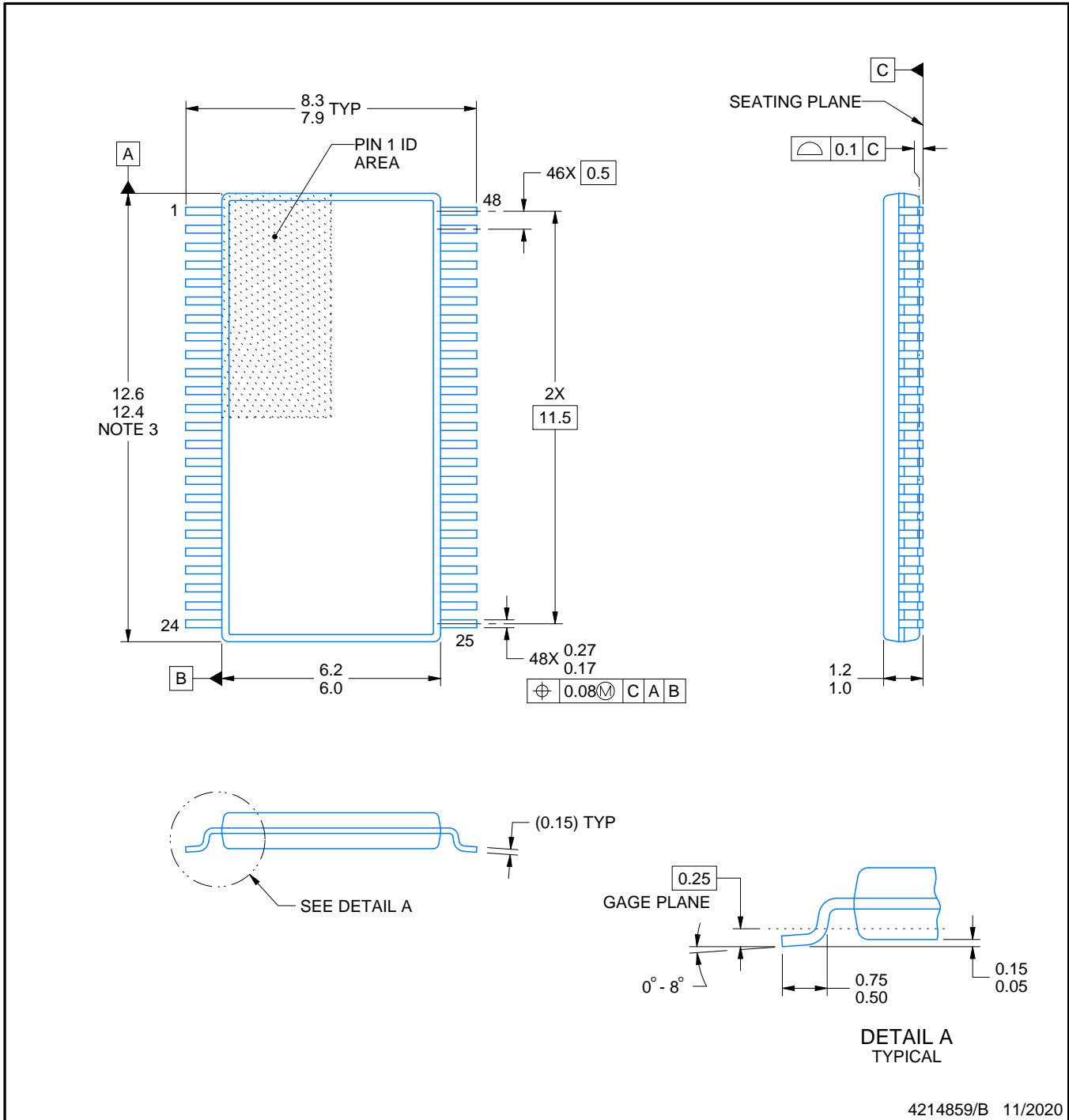


DGG0048A

PACKAGE OUTLINE

TSSOP - 1.2 mm max height

SMALL OUTLINE PACKAGE



4214859/B 11/2020

NOTES:

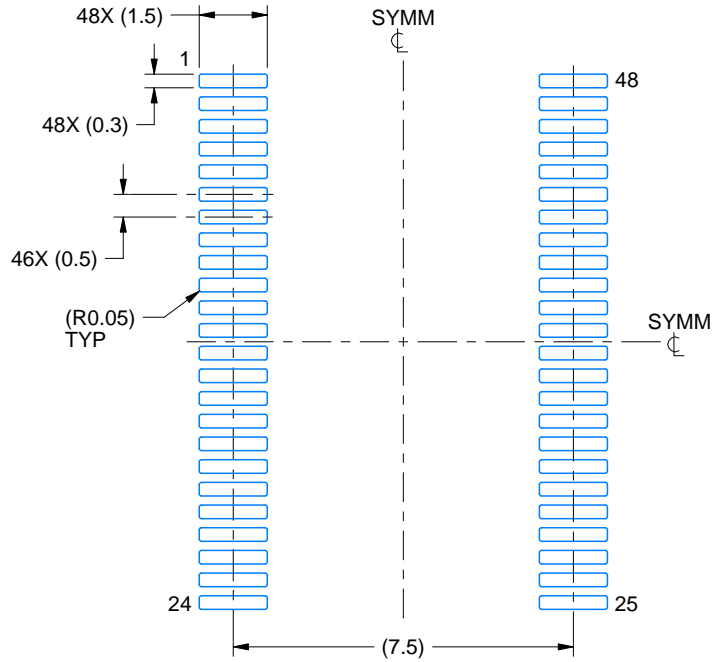
1. All linear dimensions are in millimeters. Any dimensions in parenthesis are for reference only. Dimensioning and tolerancing per ASME Y14.5M.
2. This drawing is subject to change without notice.
3. This dimension does not include mold flash, protrusions, or gate burrs. Mold flash, protrusions, or gate burrs shall not exceed 0.15 mm per side.
4. Reference JEDEC registration MO-153.

# EXAMPLE BOARD LAYOUT

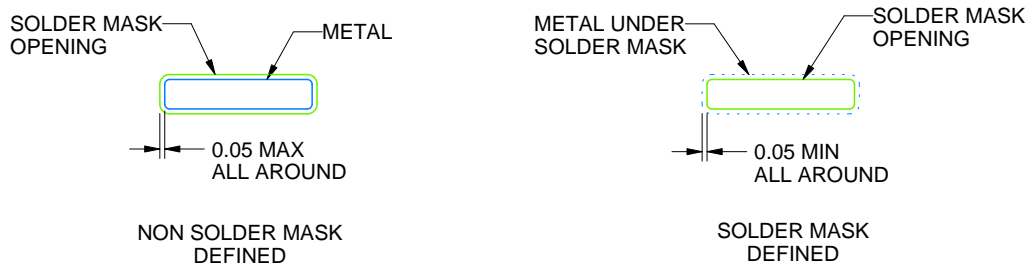
DGG0048A

TSSOP - 1.2 mm max height

SMALL OUTLINE PACKAGE



LAND PATTERN EXAMPLE  
SCALE:6X



SOLDER MASK DETAILS

4214859/B 11/2020

NOTES: (continued)

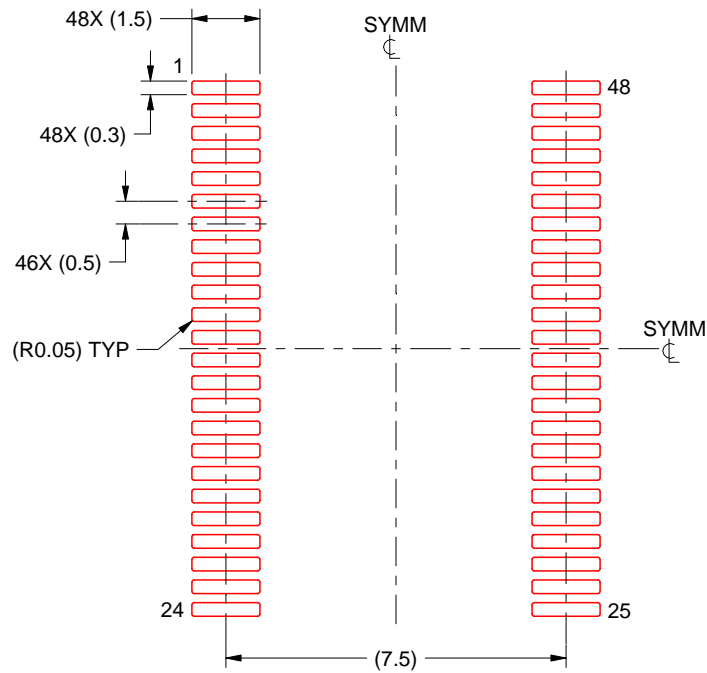
5. Publication IPC-7351 may have alternate designs.
6. Solder mask tolerances between and around signal pads can vary based on board fabrication site.

# EXAMPLE STENCIL DESIGN

DGG0048A

TSSOP - 1.2 mm max height

SMALL OUTLINE PACKAGE



SOLDER PASTE EXAMPLE  
BASED ON 0.125 mm THICK STENCIL  
SCALE:6X

4214859/B 11/2020

NOTES: (continued)

7. Laser cutting apertures with trapezoidal walls and rounded corners may offer better paste release. IPC-7525 may have alternate design recommendations.
8. Board assembly site may have different recommendations for stencil design.

DGG (R-PDSO-G\*\*)

PLASTIC SMALL-OUTLINE PACKAGE

48 PINS SHOWN



- NOTES: A. All linear dimensions are in millimeters.  
 B. This drawing is subject to change without notice.  
 C. Body dimensions do not include mold protrusion not to exceed 0,15.  
 D. Falls within JEDEC MO-153

## IMPORTANT NOTICE AND DISCLAIMER

TI PROVIDES TECHNICAL AND RELIABILITY DATA (INCLUDING DATASHEETS), DESIGN RESOURCES (INCLUDING REFERENCE DESIGNS), APPLICATION OR OTHER DESIGN ADVICE, WEB TOOLS, SAFETY INFORMATION, AND OTHER RESOURCES "AS IS" AND WITH ALL FAULTS, AND DISCLAIMS ALL WARRANTIES, EXPRESS AND IMPLIED, INCLUDING WITHOUT LIMITATION ANY IMPLIED WARRANTIES OF MERCHANTABILITY, FITNESS FOR A PARTICULAR PURPOSE OR NON-INFRINGEMENT OF THIRD PARTY INTELLECTUAL PROPERTY RIGHTS.

These resources are intended for skilled developers designing with TI products. You are solely responsible for (1) selecting the appropriate TI products for your application, (2) designing, validating and testing your application, and (3) ensuring your application meets applicable standards, and any other safety, security, regulatory or other requirements.

These resources are subject to change without notice. TI grants you permission to use these resources only for development of an application that uses the TI products described in the resource. Other reproduction and display of these resources is prohibited. No license is granted to any other TI intellectual property right or to any third party intellectual property right. TI disclaims responsibility for, and you fully indemnify TI and its representatives against any claims, damages, costs, losses, and liabilities arising out of your use of these resources.

TI's products are provided subject to [TI's Terms of Sale](#), [TI's General Quality Guidelines](#), or other applicable terms available either on [ti.com](http://ti.com) or provided in conjunction with such TI products. TI's provision of these resources does not expand or otherwise alter TI's applicable warranties or warranty disclaimers for TI products. Unless TI explicitly designates a product as custom or customer-specified, TI products are standard, catalog, general purpose devices.

TI objects to and rejects any additional or different terms you may propose.

Copyright © 2025, Texas Instruments Incorporated

Last updated 10/2025