

DS96F172MQML/DS96F174MQML EIA-485/EIA-422 Quad Differential Drivers

 Check for Samples: [DS96F172MQML](#), [DS96F174MQML](#)

FEATURES

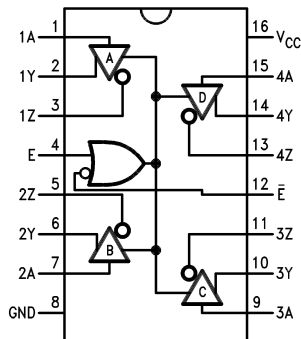
- Meets EIA-485 and EIA-422 Standards
- Monotonic Differential Output Switching
- TRI-STATE Outputs
- Designed for Multipoint bus Transmission
- Common Mode Output Voltage Range: $-7.0V$ to $+12V$
- Operates from Single $+5.0V$ Supply
- Reduced Power Consumption
- Thermal Shutdown Protection
- DS96F172 and DS96F174 are Lead and Function Compatible with the SN75172/174 or the AM26LS31/MC3487

DESCRIPTION

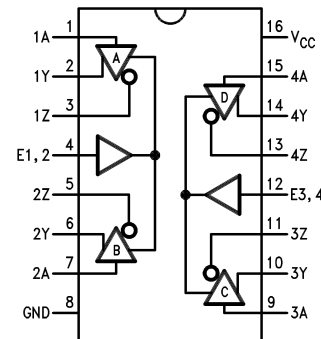
The DS96F172 and the DS96F174 are high speed quad differential line drivers designed to meet EIA-485 Standards. The DS96F172 and the DS96F174 offer improved performance due to the use of L-FAST bipolar technology. The use of LFAST technology allows the DS96F172 and DS96F174 to operate at higher speeds while minimizing power consumption.

The DS96F172 and the DS96F174 have TRI-STATE outputs and are optimized for balanced multipoint data bus transmission at rates up to 15 Mbps. The drivers have wide positive and negative common mode range for multipoint applications in noisy environments. Positive and negative current-limiting is provided which protects the drivers from line fault conditions over a $+12V$ to $-7.0V$ common mode range. A thermal shutdown feature is also provided. The DS96F172 features an active high and active low Enable, common to all four drivers. The DS96F174 features separate active high Enables for each driver pair.

Connection Diagrams



**Figure 1. 16-Lead CDIP Package-Top View
DS96F172
(See Package Number NFE0016A)**

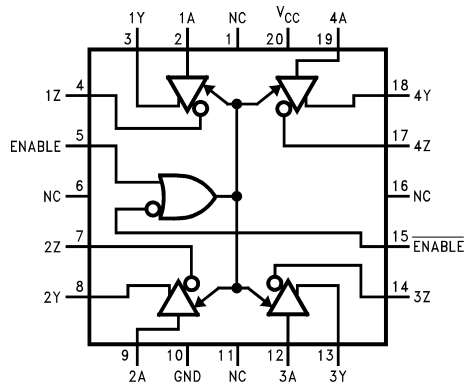


**Figure 2. 16-Lead CDIP Package-Top View
DS96F174
(See Package Number NFE0016A)**



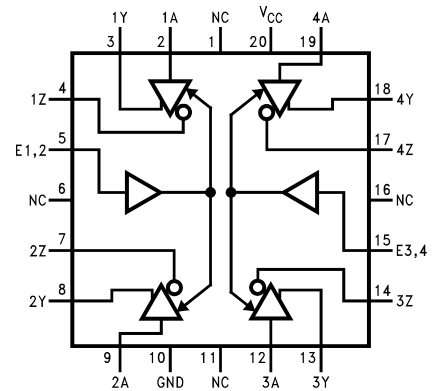
Please be aware that an important notice concerning availability, standard warranty, and use in critical applications of Texas Instruments semiconductor products and disclaimers thereto appears at the end of this data sheet.

All trademarks are the property of their respective owners.



NC = No connection

**Figure 3. 20-Lead LCCC Package-Top View
DS96F172
(see Package Number NAJ0020A)**



**Figure 4. 20-Lead LCCC Package-Top View
DS96F174
(see Package Number NAJ0020A)**

Logic Diagrams

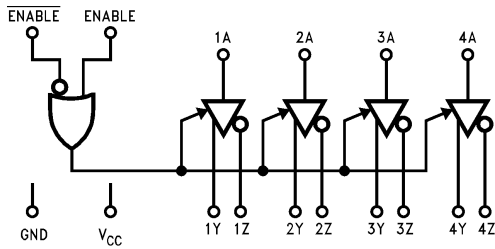


Figure 5. DS96F172

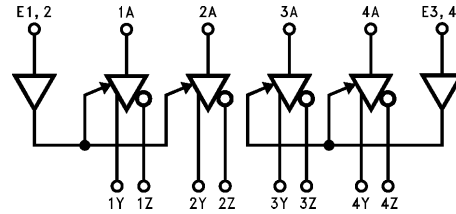


Figure 6. DS96F174

Function Tables (Each Driver)
Table 1. DS96F172⁽¹⁾

| Input | Enable | | Outputs | |
|-------|--------|-----------|---------|---|
| | E | \bar{E} | Y | Z |
| H | H | X | H | L |
| L | H | X | L | H |
| H | X | L | H | L |
| L | X | L | L | H |
| X | L | H | Z | Z |

- (1) H = High Level
 L = Low Level
 X = Don't Care
 Z = High Impedance (Off)

Table 2. DS96F174⁽¹⁾

| Input | Enable | | Outputs | |
|-------|--------|-----------|---------|---|
| | E | \bar{E} | Y | Z |
| H | H | X | H | L |
| L | H | X | L | H |
| X | L | H | Z | Z |

- (1) H = High Level
 L = Low Level
 X = Don't Care
 Z = High Impedance (Off)



These devices have limited built-in ESD protection. The leads should be shorted together or the device placed in conductive foam during storage or handling to prevent electrostatic damage to the MOS gates.

Absolute Maximum Ratings⁽¹⁾

| | |
|--|--|
| Storage Temperature Range (T_{Stg}) | $-65^{\circ}\text{C} \leq T_A \leq +175^{\circ}\text{C}$ |
| Lead Temperature (Soldering, 60 sec.) | 300°C |
| Maximum Package Power Dissipation at 25°C ⁽²⁾ | |
| LCCC package | 2,000 mW |
| CDIP package | 1,800 mW |
| Ceramic Flatpack package | 1,000 mW |
| Supply Voltage | 7.0V |
| Enable Input Voltage | 5.5V |

- (1) Absolute Maximum Ratings indicate limits beyond which damage to the device may occur. Operating Ratings indicate conditions for which the device is functional, but do not verify specific performance limits. For verified specifications and test conditions, see the Electrical Characteristics. The verified specifications apply only for the test conditions listed. Some performance characteristics may degrade when the device is not operated under the listed test conditions.
- (2) Above $T_A = 25^{\circ}\text{C}$, derate LCCC package 13.3, CDIP package 12.5, Ceramic flatpack package 7.1 mW/°C

Recommended Operating Conditions

| | Min | Max | Units |
|---|------|-------|-------|
| Supply Voltage (V_{CC}) | 4.50 | 5.50 | V |
| Common Mode Output Voltage (V_{OC}) | -7.0 | +12.0 | V |
| Output Current High (I_{OH}) | | -60 | mA |
| Output Current Low (I_{OL}) | | 60 | mA |
| Operating Temperature (T_A) | -55 | +125 | °C |

Quality Conformance Inspection

Table 3. Mil-Std-883, Method 5005 - Group A

| Subgroup | Description | Temp (°C) |
|----------|---------------------|-----------|
| 1 | Static tests at | +25 |
| 2 | Static tests at | +125 |
| 3 | Static tests at | -55 |
| 4 | Dynamic tests at | +25 |
| 5 | Dynamic tests at | +125 |
| 6 | Dynamic tests at | -55 |
| 7 | Functional tests at | +25 |
| 8A | Functional tests at | +125 |
| 8B | Functional tests at | -55 |
| 9 | Switching tests at | +25 |
| 10 | Switching tests at | +125 |
| 11 | Switching tests at | -55 |
| 12 | Settling time at | +25 |
| 13 | Settling time at | +125 |
| 14 | Settling time at | -55 |

DS96F172/DS96F174 Electrical Characteristics AC/DC Parameters⁽¹⁾

The following conditions apply, unless otherwise specified.

DC: $V_{CC} = 5.5V$

AC: $V_{CC} = 5.0V$

| Parameter | | Test Conditions | Notes | Min | Max | Units | Sub-groups |
|------------------|----------------------------------|--|-----------------------|------|-----|---------|------------|
| V_{IL} | Logical 0 Input Voltage | | | | 0.8 | V | 1 |
| | | | | | 0.7 | V | 2, 3 |
| V_{IH} | Logical 1 Input Voltage | | | 2.0 | | V | 1, 2, 3 |
| V_{IC} | Input Clamp Voltage | $I = -18mA$ | | -1.5 | | V | 1, 2, 3 |
| V_{OD1} | Differential Output Voltage | $I_O = 0mA$ | | | 6.0 | V | 1, 2, 3 |
| V_{OD2} | Differential Output Voltage | $V_{CC} = 4.5V, R_L = 54\Omega$ Figure 7 | | 1.5 | | V | 1, 2 |
| | | | See ⁽²⁾ | 1.2 | | V | 3 |
| V_{OD2} | Differential Output Voltage | $V_{CC} = 4.5V, R_L = 100\Omega$ Figure 7 | | 2.0 | | V | 1, 2, 3 |
| ΔV_{OD1} | Change In Magnitude of V_{OD2} | $V_{CC} = 4.5V, R_L = 54\Omega$ | See ⁽³⁾ | -200 | 200 | mV | 1, 2 |
| | | | See ⁽²⁾⁽³⁾ | -400 | 400 | mV | 3 |
| ΔV_{OD2} | Change In Magnitude of V_{OD2} | $V_{CC} = 4.5V, R_L = 100\Omega$ | See ⁽³⁾ | -200 | 200 | mV | 1, 2 |
| | | | See ⁽²⁾⁽³⁾ | -400 | 400 | mV | 3 |
| V_{OC} | Common Mode Output Voltage | $R_L = 54\Omega$ Figure 7 | | | 3.0 | V | 1, 2, 3 |
| V_{OC} | Common Mode Output Voltage | $R_L = 100\Omega$ Figure 7 | | | 3.0 | V | 1, 2, 3 |
| ΔV_{OC} | Change in Magnitude of V_{OC} | $V_{CC} = 4.5V, R_L = 54\Omega$ Figure 7 | See ⁽³⁾ | -200 | 200 | mV | 1, 2, 3 |
| | | | See ⁽⁴⁾ | -200 | 200 | mV | 1, 2, 3 |
| I_O | Output Current With Power Off | $V_{CC} = 0V, V_O = -7V$ to 12V | | -50 | 50 | μA | 1, 2, 3 |

(1) All currents into the device pins are positive; all currents out of the device pins are negative. All voltages are reference to ground unless otherwise specified.

(2) $-55^\circ C$ limit exceeds EIA standard RS-485 specification

(3) $\Delta|V_{OD}|$ is the change in magnitude of V_{OD} , that occurs when the input is changed between high and low levels.

(4) $\Delta|V_{OC}|$ is the change in magnitude of the V_{OC} that occurs when the input is changed between high and low levels.

DS96F172/DS96F174 Electrical Characteristics AC/DC Parameters⁽¹⁾ (continued)

The following conditions apply, unless otherwise specified.

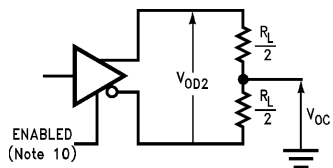
 DC: $V_{CC} = 5.5V$

 AC: $V_{CC} = 5.0V$

| Parameter | | Test Conditions | Notes | Min | Max | Units | Sub-groups |
|-----------|-------------------------------------|---|--------------------|------|-----|---------|------------|
| I_{OZ} | High Impedance State Output Current | $V_O = -7V$ to 12V | | -50 | 50 | μA | 1, 2, 3 |
| I_{IH} | Logical 1 Input Current | $V_I = 2.4V$ | | | 20 | μA | 1, 2, 3 |
| I_{IL} | Logical 0 Input Current | $V_I = 0.4V$ | | -50 | | μA | 1, 2, 3 |
| I_{CC} | Supply Current | Outputs Enabled | | | 50 | mA | 1, 2, 3 |
| I_{CCX} | Supply Current | Outputs Disabled | | | 30 | mA | 1, 2, 3 |
| I_{OS1} | Short Circuit Output Current | $V_O = -7V$ | See ⁽⁵⁾ | -250 | | mA | 1, 2, 3 |
| I_{OS2} | Short Circuit Output Current | $V_O = 0V$ | See ⁽⁵⁾ | -150 | | mA | 1, 2, 3 |
| I_{OS3} | Short Circuit Output Current | $V_O = V_{CC}$ | See ⁽⁵⁾ | | 150 | mA | 1, 2, 3 |
| I_{OS4} | Short Circuit Output Current | $V_O = 12V$ | See ⁽⁵⁾ | | 250 | mA | 1, 2, 3 |
| t_{PLH} | Propagation Delay Lo to Hi level | $R_L = 27\Omega$, $C_L = 15pF$ Figure 10 | | | 25 | ns | 10, 11 |
| | | | | | 16 | ns | 9 |
| t_{PHL} | Propagation Delay Hi to Low Level | $R_L = 27\Omega$, $C_L = 15pF$ Figure 10 | | | 25 | ns | 10, 11 |
| | | | | | 16 | ns | 9 |
| SKEW | Output to Output Delay Time | $R_L = 60\Omega$ | | | 10 | ns | 10, 11 |
| | | | | | 4 | ns | 9 |
| t_{LZ} | Output Disable Time From Low Level | $R_L = 110\Omega$, $C_L = 50pF$ Figure 12 | | | 40 | ns | 10, 11 |
| | | | | | 25 | ns | 9 |
| t_{HZ} | Output Disable Time From High Level | $R_L = 110\Omega$, $C_L = 50pF$ Figure 11 | | | 80 | ns | 10, 11 |
| | | | | | 30 | ns | 9 |
| t_{ZL} | Output Enable Time to Low Level | $R_L = 110\Omega$, $C_L = 50pF$ Figure 12 | | | 100 | ns | 10, 11 |
| | | | | | 40 | ns | 9 |
| t_{ZH} | Output Enable Time to High Level | $R_L = 110\Omega$, $C_L = 50pF$ Figure 10 | | | 40 | ns | 10, 11 |
| | | | | | 32 | ns | 9 |
| t_{DD} | Differential Output Delay Time | $R_L = 60\Omega$, $C_L = 15pF$ Figure 9 | | | 30 | ns | 10, 11 |
| | | | | | 22 | ns | 9 |
| t_{TD} | Differential Output Transition Time | $R_L = 60\Omega$, $C_L = 15pF$ Figure 9 | | | 40 | ns | 10, 11 |
| | | | | | 22 | ns | 9 |

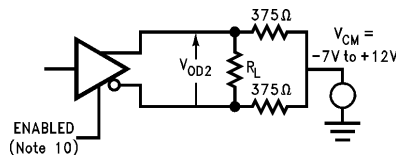
 (5) 0.2 μF cap is connected between the output and Gnd to reduce oscillation.

PARAMETER MEASUREMENT INFORMATION



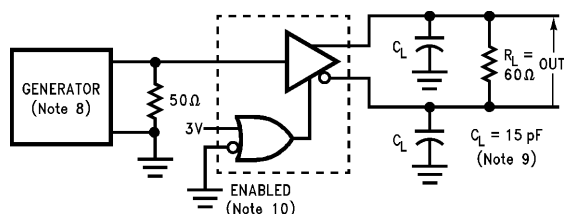
Note 10: DS96F172 with active high and active low Enables is shown. DS96F174 has active high Enable only.

Figure 7. Differential and Common Mode Output Voltage



Note 10: DS96F172 with active high and active low Enables is shown. DS96F174 has active high Enable only.

Figure 8. Differential Output Voltage with Varying Common Mode Voltage

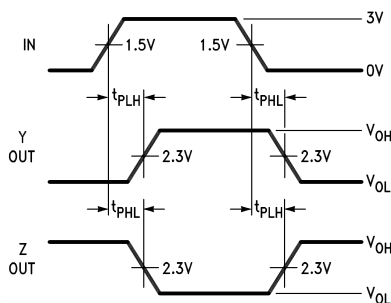
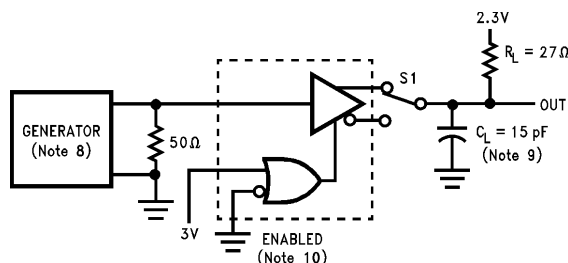


Note 8: The input pulse is supplied by a generator having the following characteristics: $f = 1.0 \text{ MHz}$, duty cycle = 50%, $t_r \leq 5.0 \text{ ns}$, $t_f \leq 5.0 \text{ ns}$, $Z_O = 50\Omega$.

Note 9: C_L includes probe and jig capacitance.

Note 10: DS96F172 with active high and active low Enables is shown. DS96F174 has active high Enable only.

Figure 9. Differential Output Delay and Transition Times



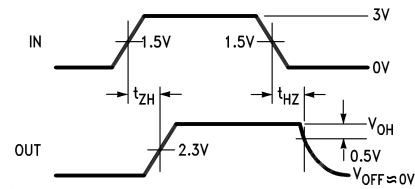
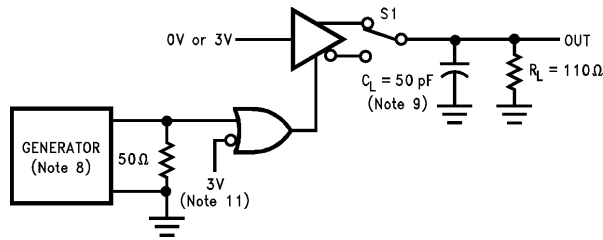
Note 8: The input pulse is supplied by a generator having the following characteristics: $f = 1.0 \text{ MHz}$, duty cycle = 50%, $t_r \leq 5.0 \text{ ns}$, $t_f \leq 5.0 \text{ ns}$, $Z_O = 50\Omega$.

Note 9: C_L includes probe and jig capacitance.

Note 10: DS96F172 with active high and active low Enables is shown. DS96F174 has active high Enable only.

Figure 10. Propagation Delay Times

PARAMETER MEASUREMENT INFORMATION (continued)

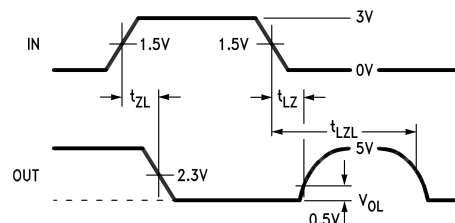
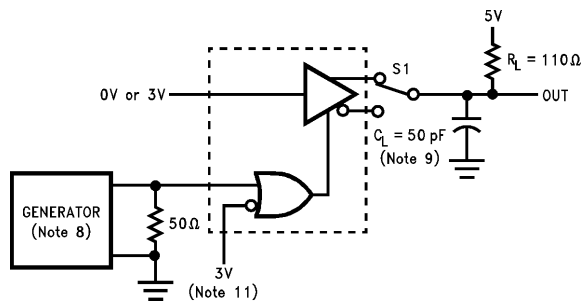


Note 8: The input pulse is supplied by a generator having the following characteristics: $f = 1.0 \text{ MHz}$, duty cycle = 50%, $t_r \leq 5.0 \text{ ns}$, $t_f \leq 5.0 \text{ ns}$, $Z_O = 50\Omega$.

Note 9: C_L includes probe and jig capacitance.

Note 11: To test the active low Enable \bar{E} of DS96F172 ground \bar{E} and apply an inverted waveform to \bar{E} . DS96F174 has active high Enable only.

Figure 11. t_{ZH} and t_{HZ}



Note 8: The input pulse is supplied by a generator having the following characteristics: $f = 1.0 \text{ MHz}$, duty cycle = 50%, $t_r \leq 5.0 \text{ ns}$, $t_f \leq 5.0 \text{ ns}$, $Z_O = 50\Omega$.

Note 9: C_L includes probe and jig capacitance.

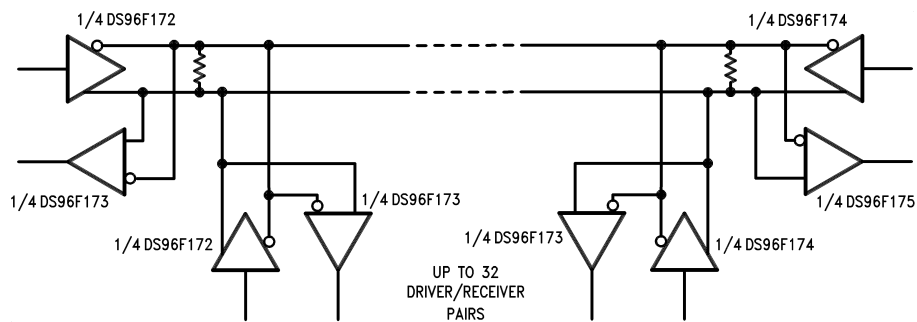
Note 11: To test the active low Enable \bar{E} of DS96F172 ground \bar{E} and apply an inverted waveform to \bar{E} . DS96F174 has active high Enable only.

Figure 12. t_{ZL} , t_{LZ} , t_{LZL}

NOTE

For more information see Application Bulletin, Contact Product Marketing.

TYPICAL APPLICATION



The line length should be terminated at both ends in its characteristic impedance.
Stub lengths off the main line should be kept as short as possible.

REVISION HISTORY

| Released | Revision | Section | Changes |
|----------|----------|-------------------------------|---|
| 8-Apr-11 | A | New Release, Corporate format | 2 MDS data sheets converted into one Corp. data sheet format. MNDS96F172M-X Rev 1A0 & MNDS96F174M-X Rev 1B0 will be archived. |

Changes from Original (April 2013) to Revision A
Page

- Changed layout of National Data Sheet to TI format **8**

PACKAGING INFORMATION

| Orderable Device | Status (1) | Package Type | Package Drawing | Pins | Package Qty | Eco Plan (2) | Lead/Ball Finish (6) | MSL Peak Temp (3) | Op Temp (°C) | Device Marking (4/5) | Samples |
|------------------|---------------|--------------|--------------------|------|----------------|-----------------|-------------------------|----------------------|--------------|---|-------------------------|
| 5962-9076501M2A | ACTIVE | LCCC | NAJ | 20 | 50 | TBD | Call TI | Call TI | -55 to 125 | DS96F172ME /883 Q 5962-90765 01M2A ACO 01M2A >T | Samples |
| 5962-9076501MEA | ACTIVE | CDIP | NFE | 16 | 25 | TBD | Call TI | Call TI | -55 to 125 | DS96F172MJ/883 5962-9076501MEA Q | Samples |
| 5962-9076502M2A | ACTIVE | LCCC | NAJ | 20 | 50 | TBD | Call TI | Call TI | -55 to 125 | DS96F174ME /883 Q 5962-90765 02M2A ACO 02M2A >T | Samples |
| 5962-9076502MEA | ACTIVE | CDIP | NFE | 16 | 25 | TBD | Call TI | Call TI | -55 to 125 | DS96F174MJ/883 5962-9076502MEA Q | Samples |
| 5962-9076502VEA | ACTIVE | CDIP | NFE | 16 | 25 | TBD | Call TI | Call TI | -55 to 125 | DS96F174MJ-QMLV 5962-9076502VEA Q | Samples |
| DS96F172ME/883 | ACTIVE | LCCC | NAJ | 20 | 50 | TBD | Call TI | Call TI | -55 to 125 | DS96F172ME /883 Q 5962-90765 01M2A ACO 01M2A >T | Samples |
| DS96F172MJ/883 | ACTIVE | CDIP | NFE | 16 | 25 | TBD | Call TI | Call TI | -55 to 125 | DS96F172MJ/883 5962-9076501MEA Q | Samples |
| DS96F174ME/883 | ACTIVE | LCCC | NAJ | 20 | 50 | TBD | Call TI | Call TI | -55 to 125 | DS96F174ME /883 Q 5962-90765 02M2A ACO 02M2A >T | Samples |
| DS96F174MJ-QMLV | ACTIVE | CDIP | NFE | 16 | 25 | TBD | Call TI | Call TI | -55 to 125 | DS96F174MJ-QMLV 5962-9076502VEA Q | Samples |
| DS96F174MJ/883 | ACTIVE | CDIP | NFE | 16 | 25 | TBD | Call TI | Call TI | -55 to 125 | DS96F174MJ/883 5962-9076502MEA Q | Samples |

(1) The marketing status values are defined as follows:

ACTIVE: Product device recommended for new designs.

LIFEBUY: TI has announced that the device will be discontinued, and a lifetime-buy period is in effect.

NRND: Not recommended for new designs. Device is in production to support existing customers, but TI does not recommend using this part in a new design.

PREVIEW: Device has been announced but is not in production. Samples may or may not be available.

OBSOLETE: TI has discontinued the production of the device.

(2) Eco Plan - The planned eco-friendly classification: Pb-Free (RoHS), Pb-Free (RoHS Exempt), or Green (RoHS & no Sb/Br) - please check <http://www.ti.com/productcontent> for the latest availability information and additional product content details.

TBD: The Pb-Free/Green conversion plan has not been defined.

Pb-Free (RoHS): TI's terms "Lead-Free" or "Pb-Free" mean semiconductor products that are compatible with the current RoHS requirements for all 6 substances, including the requirement that lead not exceed 0.1% by weight in homogeneous materials. Where designed to be soldered at high temperatures, TI Pb-Free products are suitable for use in specified lead-free processes.

Pb-Free (RoHS Exempt): This component has a RoHS exemption for either 1) lead-based flip-chip solder bumps used between the die and package, or 2) lead-based die adhesive used between the die and leadframe. The component is otherwise considered Pb-Free (RoHS compatible) as defined above.

Green (RoHS & no Sb/Br): TI defines "Green" to mean Pb-Free (RoHS compatible), and free of Bromine (Br) and Antimony (Sb) based flame retardants (Br or Sb do not exceed 0.1% by weight in homogeneous material)

(3) MSL, Peak Temp. - The Moisture Sensitivity Level rating according to the JEDEC industry standard classifications, and peak solder temperature.

(4) There may be additional marking, which relates to the logo, the lot trace code information, or the environmental category on the device.

(5) Multiple Device Markings will be inside parentheses. Only one Device Marking contained in parentheses and separated by a "~" will appear on a device. If a line is indented then it is a continuation of the previous line and the two combined represent the entire Device Marking for that device.

(6) Lead/Ball Finish - Orderable Devices may have multiple material finish options. Finish options are separated by a vertical ruled line. Lead/Ball Finish values may wrap to two lines if the finish value exceeds the maximum column width.

Important Information and Disclaimer: The information provided on this page represents TI's knowledge and belief as of the date that it is provided. TI bases its knowledge and belief on information provided by third parties, and makes no representation or warranty as to the accuracy of such information. Efforts are underway to better integrate information from third parties. TI has taken and continues to take reasonable steps to provide representative and accurate information but may not have conducted destructive testing or chemical analysis on incoming materials and chemicals. TI and TI suppliers consider certain information to be proprietary, and thus CAS numbers and other limited information may not be available for release.

In no event shall TI's liability arising out of such information exceed the total purchase price of the TI part(s) at issue in this document sold by TI to Customer on an annual basis.

OTHER QUALIFIED VERSIONS OF DS96F174MQML, DS96F174MQML-SP :

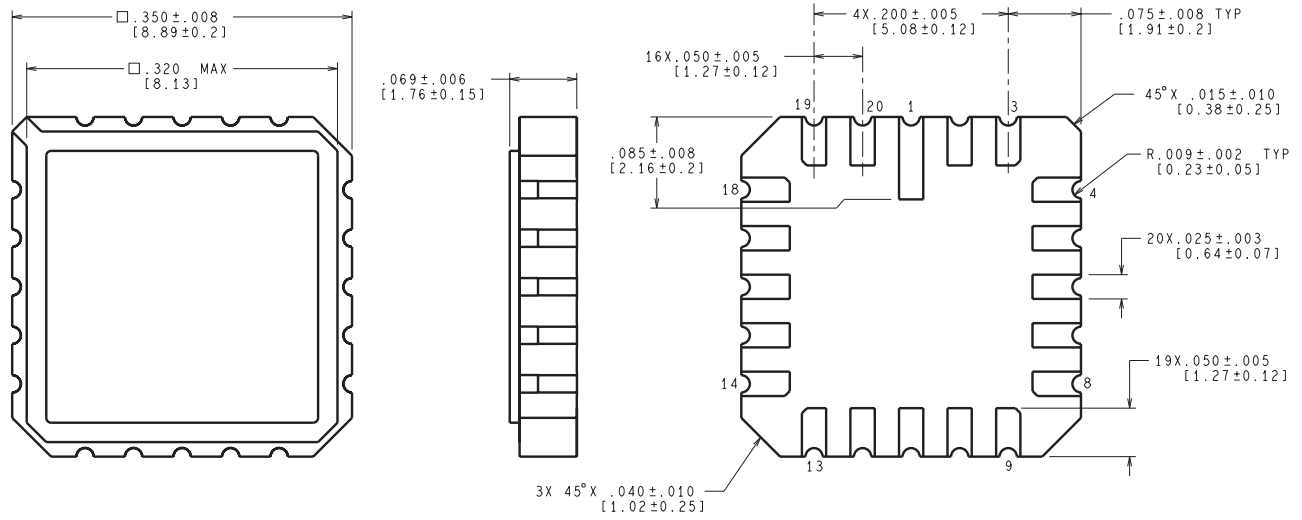
- Military: [DS96F174MQML](#)
- Space: [DS96F174MQML-SP](#)

NOTE: Qualified Version Definitions:

- Military - QML certified for Military and Defense Applications

- Space - Radiation tolerant, ceramic packaging and qualified for use in Space-based application

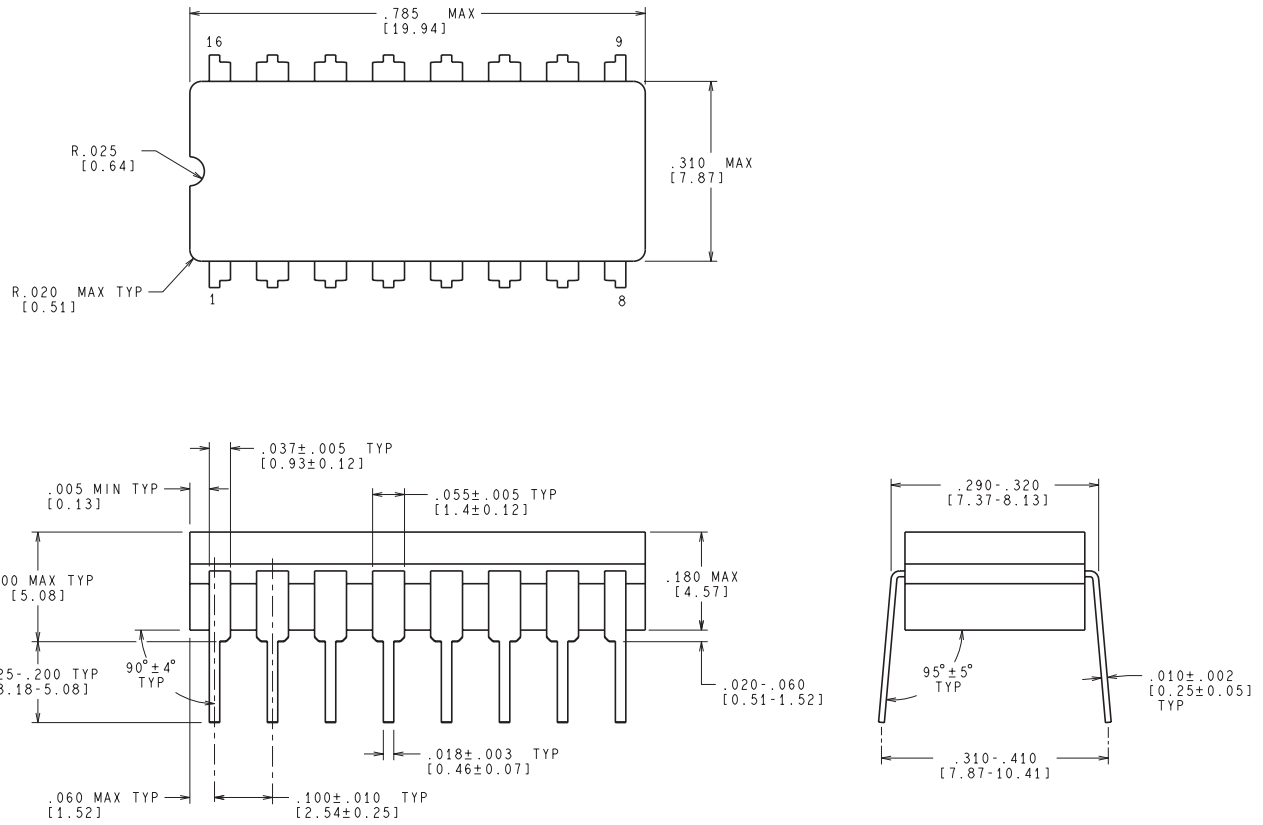
NAJ0020A



CONTROLLING DIMENSION IS INCH
VALUES IN [] ARE MILLIMETERS

E20A (Rev F)

NFE0016A



CONTROLLING DIMENSION IS INCH
VALUES IN [] ARE MILLIMETERS

J16A (REV L)

IMPORTANT NOTICE

Texas Instruments Incorporated and its subsidiaries (TI) reserve the right to make corrections, enhancements, improvements and other changes to its semiconductor products and services per JESD46, latest issue, and to discontinue any product or service per JESD48, latest issue. Buyers should obtain the latest relevant information before placing orders and should verify that such information is current and complete. All semiconductor products (also referred to herein as "components") are sold subject to TI's terms and conditions of sale supplied at the time of order acknowledgment.

TI warrants performance of its components to the specifications applicable at the time of sale, in accordance with the warranty in TI's terms and conditions of sale of semiconductor products. Testing and other quality control techniques are used to the extent TI deems necessary to support this warranty. Except where mandated by applicable law, testing of all parameters of each component is not necessarily performed.

TI assumes no liability for applications assistance or the design of Buyers' products. Buyers are responsible for their products and applications using TI components. To minimize the risks associated with Buyers' products and applications, Buyers should provide adequate design and operating safeguards.

TI does not warrant or represent that any license, either express or implied, is granted under any patent right, copyright, mask work right, or other intellectual property right relating to any combination, machine, or process in which TI components or services are used. Information published by TI regarding third-party products or services does not constitute a license to use such products or services or a warranty or endorsement thereof. Use of such information may require a license from a third party under the patents or other intellectual property of the third party, or a license from TI under the patents or other intellectual property of TI.

Reproduction of significant portions of TI information in TI data books or data sheets is permissible only if reproduction is without alteration and is accompanied by all associated warranties, conditions, limitations, and notices. TI is not responsible or liable for such altered documentation. Information of third parties may be subject to additional restrictions.

Resale of TI components or services with statements different from or beyond the parameters stated by TI for that component or service voids all express and any implied warranties for the associated TI component or service and is an unfair and deceptive business practice. TI is not responsible or liable for any such statements.

Buyer acknowledges and agrees that it is solely responsible for compliance with all legal, regulatory and safety-related requirements concerning its products, and any use of TI components in its applications, notwithstanding any applications-related information or support that may be provided by TI. Buyer represents and agrees that it has all the necessary expertise to create and implement safeguards which anticipate dangerous consequences of failures, monitor failures and their consequences, lessen the likelihood of failures that might cause harm and take appropriate remedial actions. Buyer will fully indemnify TI and its representatives against any damages arising out of the use of any TI components in safety-critical applications.

In some cases, TI components may be promoted specifically to facilitate safety-related applications. With such components, TI's goal is to help enable customers to design and create their own end-product solutions that meet applicable functional safety standards and requirements. Nonetheless, such components are subject to these terms.

No TI components are authorized for use in FDA Class III (or similar life-critical medical equipment) unless authorized officers of the parties have executed a special agreement specifically governing such use.

Only those TI components which TI has specifically designated as military grade or "enhanced plastic" are designed and intended for use in military/aerospace applications or environments. Buyer acknowledges and agrees that any military or aerospace use of TI components which have **not** been so designated is solely at the Buyer's risk, and that Buyer is solely responsible for compliance with all legal and regulatory requirements in connection with such use.

TI has specifically designated certain components as meeting ISO/TS16949 requirements, mainly for automotive use. In any case of use of non-designated products, TI will not be responsible for any failure to meet ISO/TS16949.

Products

| | |
|------------------------------|--|
| Audio | www.ti.com/audio |
| Amplifiers | amplifier.ti.com |
| Data Converters | dataconverter.ti.com |
| DLP® Products | www.dlp.com |
| DSP | dsp.ti.com |
| Clocks and Timers | www.ti.com/clocks |
| Interface | interface.ti.com |
| Logic | logic.ti.com |
| Power Mgmt | power.ti.com |
| Microcontrollers | microcontroller.ti.com |
| RFID | www.ti-rfid.com |
| OMAP Applications Processors | www.ti.com/omap |
| Wireless Connectivity | www.ti.com/wirelessconnectivity |

Applications

| | |
|-------------------------------|--|
| Automotive and Transportation | www.ti.com/automotive |
| Communications and Telecom | www.ti.com/communications |
| Computers and Peripherals | www.ti.com/computers |
| Consumer Electronics | www.ti.com/consumer-apps |
| Energy and Lighting | www.ti.com/energy |
| Industrial | www.ti.com/industrial |
| Medical | www.ti.com/medical |
| Security | www.ti.com/security |
| Space, Avionics and Defense | www.ti.com/space-avionics-defense |
| Video and Imaging | www.ti.com/video |

TI E2E Community

e2e.ti.com