

DS96F173MQML/DS96F175MQML EIA-485/EIA-422 Quad Differential Receivers

Check for Samples: [DS96F173MQML](#), [DS96F175MQML](#)

FEATURES

- Meets EIA-485, EIA-422A, EIA-423A Standards
- Designed for Multipoint Bus Applications
- TRI-STATE Outputs
- Common Mode Input Voltage Range: $-7V$ to $+12V$
- Operates from Single $+5.0V$ Supply
- Lower Power Version
- Input Sensitivity of ± 200 mV Over Common Mode Range
- Input Hysteresis of 50 mV Typical
- High Input Impedance
- DS96F173 and DS96F175 are Lead and Function Compatible with SN75173/175 or the AM26LS32/MC3486

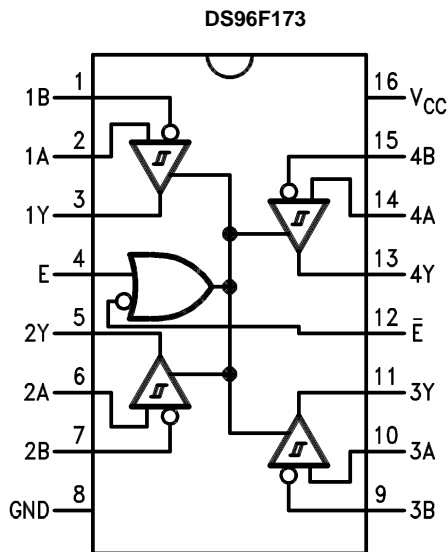
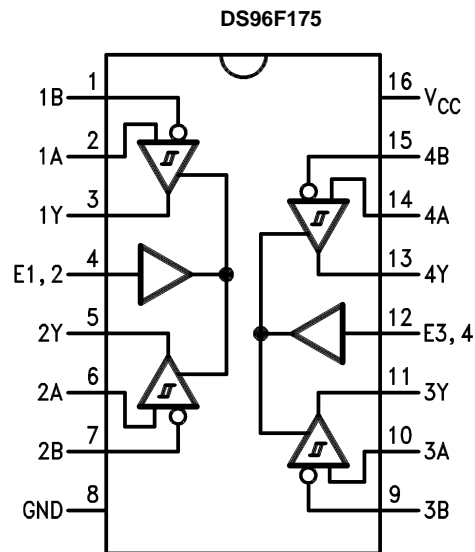
DESCRIPTION

The DS96F173 and the DS96F175 are high speed quad differential line receivers designed to meet the EIA-485 standard. The DS96F173 and the DS96F175 offer improved performance due to the use of L-FAST bipolar technology. The use of LFAST technology allows the DS96F173 and DS96F175 to operate at higher speeds while minimizing power consumption.

The DS96F173 and the DS96F175 have TRI-STATE outputs and are optimized for balanced multipoint data bus transmission at rates up to 15 Mbps. The receivers feature high input impedance, input hysteresis for increased noise immunity, and input sensitivity of 200 mV over a common mode input voltage range of $-7V$ to $+12V$. The receivers are therefore suitable for multipoint applications in noisy environments. The DS96F173 features an active high and active low Enable, common to all four receivers. The DS96F175 features separate active high Enables for each receiver pair.

Connection Diagrams

16-Lead Ceramic Dual-In-Line Package (Package Number NFE0016A)


Figure 1. Top View

Figure 2. Top View


Please be aware that an important notice concerning availability, standard warranty, and use in critical applications of Texas Instruments semiconductor products and disclaimers thereto appears at the end of this data sheet.

All trademarks are the property of their respective owners.

20-Lead Ceramic Leadless Chip Carrier (Package Number NAJ0020A)

*NC—No Connection

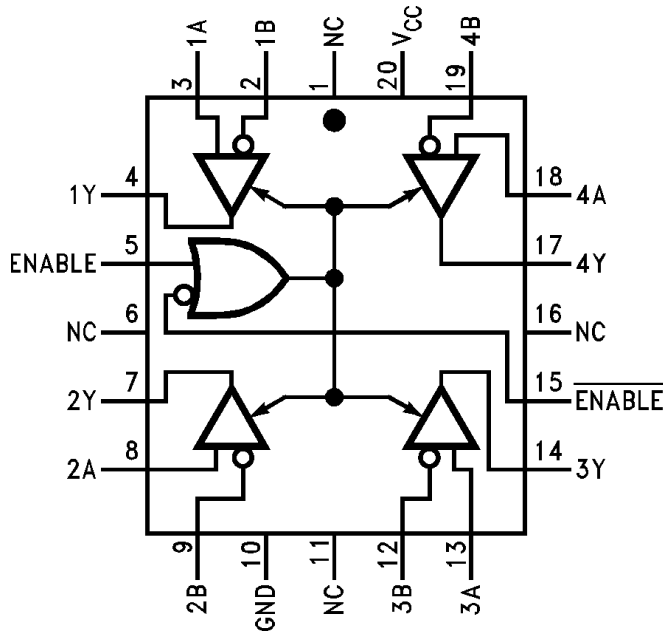


Figure 3. Top View

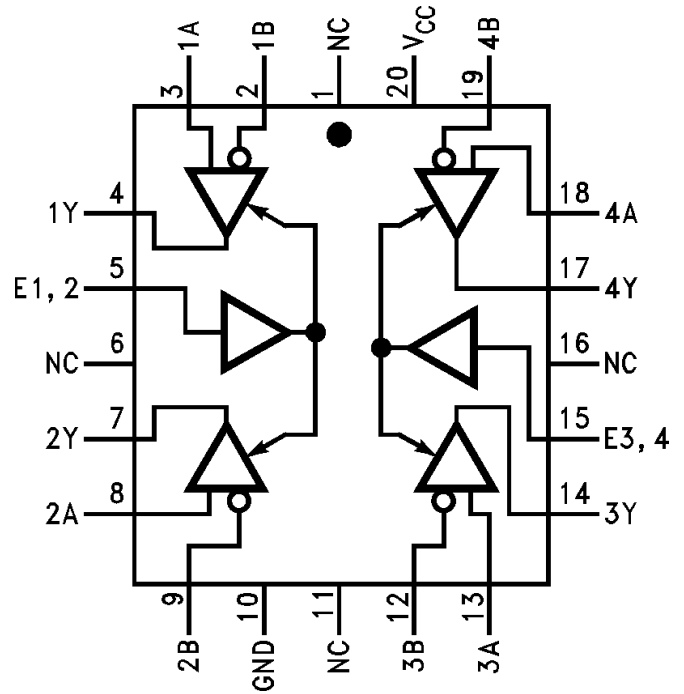
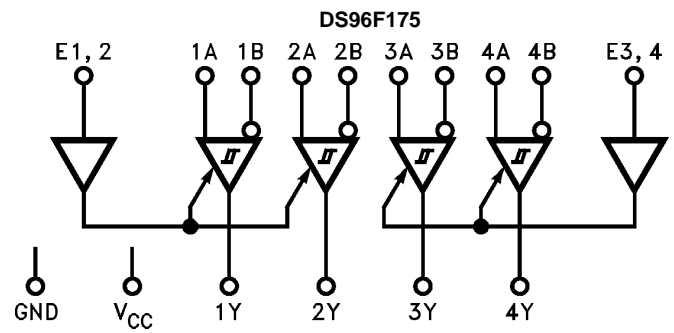
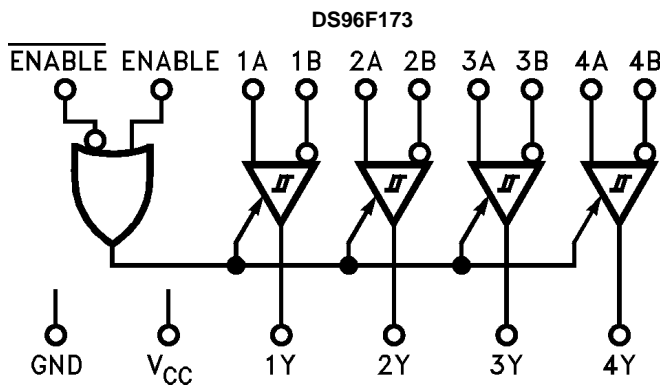


Figure 4. Top View

Logic Diagrams



Function Tables
Table 1. (Each Receiver) DS96F173⁽¹⁾

Differential Inputs A–B	Enable		Output
	E	\bar{E}	Y
$V_{ID} \geq 0.2V$	H	X	H
	X	L	H
$V_{ID} \leq -0.2V$	H	X	L
	X	L	L
X	L	X	Z
X	X	H	Z

- (1) H = High Level
 L = Low Level
 Z = High Impedance (off)
 X = Don't Care

Table 2. (Each Receiver) DS96F175

Differential Inputs A–B	Enable E	Output Y
$V_{ID} \geq 0.2V$	H	H
$V_{ID} \leq -0.2V$	H	L
X	L	Z



These devices have limited built-in ESD protection. The leads should be shorted together or the device placed in conductive foam during storage or handling to prevent electrostatic damage to the MOS gates.

Absolute Maximum Ratings⁽¹⁾

Storage Temperature Range (T _{Stg})	-65°C ≤ T _A ≤ +175°C	
Lead Temperature (Soldering, 60 sec.)	300°C	
Max. Package Power Dissipation at 25°C ⁽²⁾	CDIP (NFE)	1,500 mW
	CDIP (NAD)	1,034 mW
	LCCC (NAJ)	1,500 mW
Supply Voltage	7.0V	
Input Voltage, A or B Inputs	±25V	
Differential Input Voltage	±25V	
Enable Input Voltage	7.0V	
Low Level Output Current	50 mA	

- (1) Absolute Maximum Ratings indicate limits beyond which damage to the device may occur. Operating Ratings indicate conditions for which the device is functional, but do not ensure specific performance limits. For ensured specifications and test conditions, see the [Electrical Characteristics--DC Parameters](#). The ensured specifications apply only for the test conditions listed. Some performance characteristics may degrade when the device is not operated under the listed test conditions.
- (2) Above T_A = 25°C derate NFE package 10 mW/°C, NAD package 6.90 mW/°C, NAJ package 11.11 mW/°C.

Recommended Operating Conditions

	Min	Max	Units
Supply Voltage (V _{CC})	4.50	5.50	V
Common Mode Input Voltage (V _{CM})	-7	+12	V
Differential Input Voltage (V _{ID})	-7	+12	V
Output Current HIGH (I _{OH})		-400	μA
Output Current LOW (I _{OL})		16	mA
Operating Temperature (T _A)	-55	125	°C

Quality Conformance Inspection

Mil-Std-883, Method 5005 - Group A

Subgroup	Description	Temp (°C)
1	Static tests at	+25
2	Static tests at	+125
3	Static tests at	-55
4	Dynamic tests at	+25
5	Dynamic tests at	+125
6	Dynamic tests at	-55
7	Functional tests at	+25
8A	Functional tests at	+125
8B	Functional tests at	-55
9	Switching tests at	+25
10	Switching tests at	+125
11	Switching tests at	-55
12	Settling time at	+25
13	Settling time at	+125
14	Settling time at	-55

Electrical Characteristics--DC Parameters

The following conditions apply, unless otherwise specified. $V_{CC} = 5.0V$, Outputs Enabled

Symbol	Parameter	Conditions	Notes	Min	Max	Units	Sub-groups
I_{CC}	Supply Current	$V_{CC} = 5.5V, V_{ID} = 2V$	See ⁽¹⁾		50	mA	1, 2, 3
V_{OH}	Logical "1" Output Voltage	$V_{CC} = 4.5V, I_{OH} = -400\mu A, V_{ID} = 0.2V$	See ⁽²⁾	2.5		V	1, 2, 3
V_{OL}	Logical "0" Output Voltage	$V_{CC} = 4.5V, I_{OL} = 8mA, V_{ID} = -0.2V$	See ⁽²⁾		0.45	V	1, 2, 3
V_{TH}	Differential-Input High Threshold Voltage	$V_{CC} = 4.5V \text{ \& } 5.5V, V_{CM} = 0V, V_O = 2.5V, I_O = -400\mu A$			0.20	V	1, 2, 3
		$V_{CC} = 4.5V \text{ \& } 5.5V, V_{CM} = -12V, V_O = 2.5V, I_O = -400\mu A$			0.20	V	1, 2, 3
		$V_{CC} = 4.5V \text{ \& } 5.5V, V_{CM} = 12V, V_O = 2.5V, I_O = -400\mu A$			0.20	V	1, 2, 3
V_{TL}	Differential-Input Low Threshold Voltage	$V_{CC} = 4.5V \text{ \& } 5.5V, V_{CM} = 0V, V_O = 0.5V, I_O = 16mA$		-0.20		V	1, 2, 3
		$V_{CC} = 4.5V \text{ \& } 5.5V, V_{CM} = -12V, V_O = 0.5V, I_O = 16mA$		-0.20		V	1, 2, 3
		$V_{CC} = 4.5V \text{ \& } 5.5V, V_{CM} = 12V, V_O = 0.5V, I_O = 16mA$		-0.20		V	1, 2, 3
I_I	Input Line Current	$V_{CC} = 4.5V, V_I = 12V, \text{Untested Inputs are } 0V$			1.0	mA	1, 2, 3
		$V_{CC} = 5.5V, V_I = -7V, \text{Untested Inputs are } 0V$		-0.8		mA	1, 2, 3
I_{IH}	Logical "1" Enable Input Current	$V_{CC} = 5.5V, V_{IH} = 2.7V$			10	μA	1, 2, 3
I_{IL}	Logical "0" Enable Input Current	$V_{CC} = 5.5V, V_{IL} = 0.4V$		-100		μA	1, 2, 3
I_{OS}	Output Short Circuit Current	$V_{CC} = 4.5V, V_O = 0V$	See ⁽³⁾	-85	-15	mA	1, 2, 3
		$V_{CC} = 5.5V, V_O = 0V$		-85	-15	mA	1, 2, 3
V_{IK}	Enable Input Clamp Voltage	$V_{CC} = 4.5V, I_I = -18mA$		-1.5		V	1, 2, 3
I_{OZ}	High Impedance Output Current	$V_{CC} = 5.5V, V_{En} = 0.8V, V_O = 0.4V, \text{Outputs disabled}$		-20	20	μA	1, 2, 3
		$V_{CC} = 5.5V, V_{En} = 0.8V, V_O = 2.4V, \text{Outputs disabled}$		-20	20	μA	1, 2, 3
V_{IH}	Logical "1" Enable Input Voltage		See ⁽⁴⁾	2.0		V	1, 2, 3
V_{IL}	Logical "0" Enable Input Voltage		See ⁽⁵⁾		0.8	V	1, 2, 3
R_I	Input Resistance			10		k Ω	1, 2, 3

- (1) I_{CC} is tested with outputs disabled (worst case), I_{CC} enabled is ensured by this test.
- (2) V_{OH} & V_{OL} are tested over common mode voltage range of +/-12V via the V_{TH} / V_{TL} tests.
- (3) Only one output at a time should be shorted.
- (4) Ensured by V_{OL} & V_{OH} tests.
- (5) Ensured by I_{OZ} test.

AC Parameters

The following conditions apply, unless otherwise specified. $V_{CC} = 5.0V$

Symbol	Parameter	Conditions	Notes	Min	Max	Units	Sub-groups
t_{PHL}	Propagation Delay	$C_L = 15pF$			22	ns	1
					30	ns	2, 3
t_{PLH}	Propagation Delay	$C_L = 15pF$			22	ns	1
					30	ns	2, 3
t_{PZH}	Propagation Delay	$C_L = 15pF$			16	ns	1
					27	ns	2, 3
t_{PZL}	Propagation Delay	$C_L = 15pF$			18	ns	1
					27	ns	2, 3
t_{PHZ}	Propagation Delay	$C_L = 5pF$	See (1)		20	ns	1
					27	ns	2, 3
		$C_L = 20pF$			30	ns	1
					37	ns	2, 3
t_{PLZ}	Propagation Delay	$C_L = 5pF$			18	ns	1
					30	ns	2, 3
t_{PW}	Propagation Delay				3.0	ns	1
					8.0	ns	2
					5.0	ns	3

(1) Testing at 20pF assures conformance to spec at 5pF.

PARAMETER MEASUREMENT INFORMATION

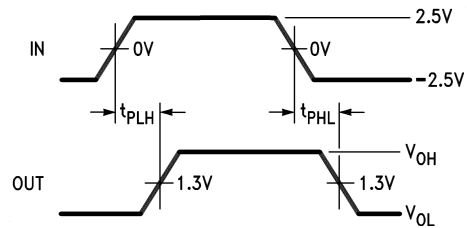
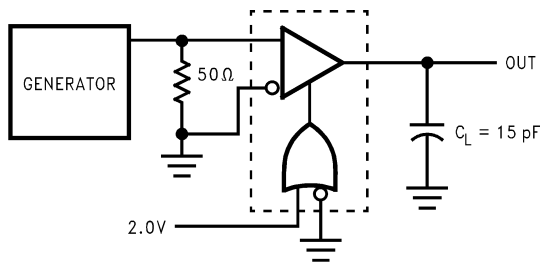


Figure 5. t_{PLH} , t_{PHL} (2)(3)

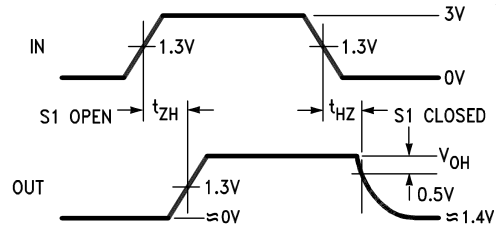
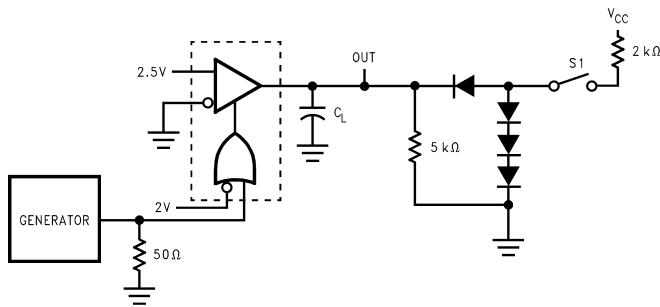


Figure 6. t_{HZ} , t_{ZH} (2)(3)(4)(5)

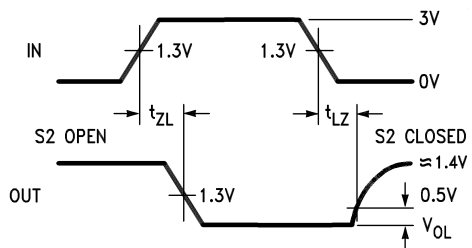
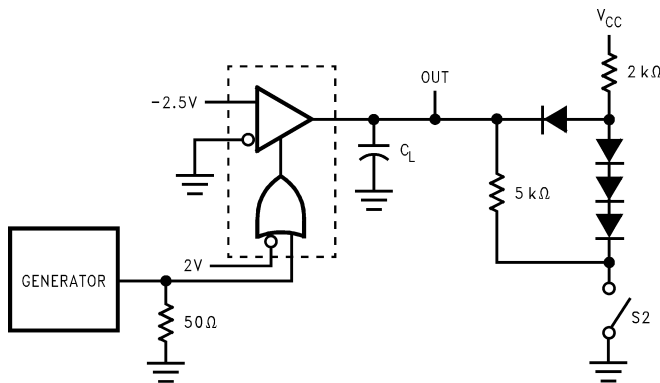


Figure 7. t_{ZL} , t_{LZ} (2)(3)(4)(5)

- (2) The input pulse is supplied by a generator having the following characteristics: $f = 1.0$ MHz, 50% duty cycle, $t_r \leq 6.0$ ns, $t_f \leq 6.0$ ns, $Z_O = 50\Omega$.
- (3) C_L includes probe and stray capacitance.
- (4) All diodes are 1N916 or equivalent.
- (5) To test the active low Enable \bar{E} of DS96F173, ground E and apply an inverted input waveform to \bar{E} . DS96F175 has active high enable only.

Typical Application

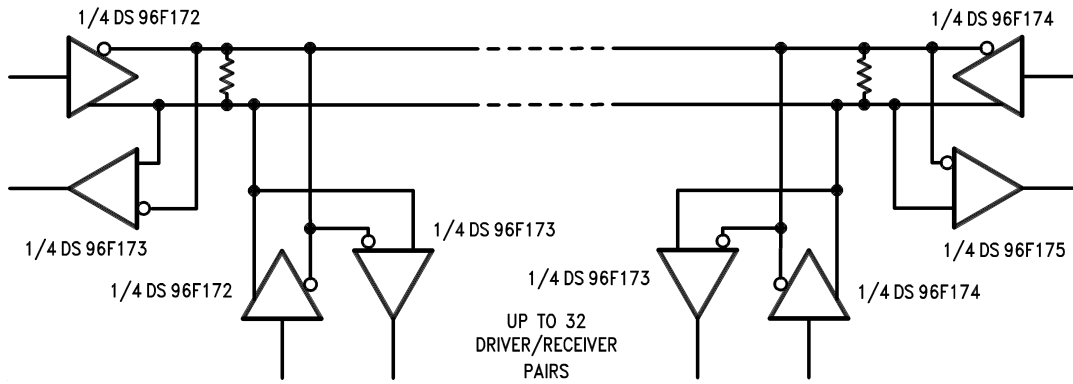


Figure 8.

NOTE

The line length should be terminated at both ends in its characteristic impedance. Stub lengths off the main line should be kept as short as possible.

REVISION HISTORY

Released	Revision	Section	Changes
28-Apr-11	A	New Release, Corporate format	2 MDS data sheets converted into one Corp. data sheet format. MNDS96F173M-X Rev 0A0 & MNDS96F175M-X Rev 0B0 will be archived.

Changes from Original (April 2013) to Revision A
Page

- Changed layout of National Data Sheet to TI format **8**

PACKAGING INFORMATION

Orderable Device	Status (1)	Package Type	Package Drawing	Pins	Package Qty	Eco Plan (2)	Lead/Ball Finish (6)	MSL Peak Temp (3)	Op Temp (°C)	Device Marking (4/5)	Samples
5962-9076601M2A	ACTIVE	LCCC	NAJ	20	50	TBD	Call TI	Call TI	-55 to 125	DS96F175ME /883 Q 5962-90766 01M2A ACO 01M2A >T	Samples
5962-9076601VEA	ACTIVE	CDIP	NFE	16	25	TBD	Call TI	Call TI	-55 to 125	DS96F175MJ-QMLV 5962-9076601VEA Q	Samples
5962-9076602M2A	ACTIVE	LCCC	NAJ	20	50	TBD	Call TI	Call TI	-55 to 125	DS96F173ME /883 Q 5962-90766 02M2A ACO 02M2A >T	Samples
5962-9076602MEA	ACTIVE	CDIP	NFE	16	25	TBD	Call TI	Call TI	-55 to 125	DS96F173MJ/883 5962-9076602MEA Q	Samples
DS96F173ME/883	ACTIVE	LCCC	NAJ	20	50	TBD	Call TI	Call TI	-55 to 125	DS96F173ME /883 Q 5962-90766 02M2A ACO 02M2A >T	Samples
DS96F173MJ/883	ACTIVE	CDIP	NFE	16	25	TBD	Call TI	Call TI	-55 to 125	DS96F173MJ/883 5962-9076602MEA Q	Samples
DS96F175ME/883	ACTIVE	LCCC	NAJ	20	50	TBD	Call TI	Call TI	-55 to 125	DS96F175ME /883 Q 5962-90766 01M2A ACO 01M2A >T	Samples
DS96F175MJ-QMLV	ACTIVE	CDIP	NFE	16	25	TBD	Call TI	Call TI	-55 to 125	DS96F175MJ-QMLV 5962-9076601VEA Q	Samples

(1) The marketing status values are defined as follows:

ACTIVE: Product device recommended for new designs.

LIFEBUY: TI has announced that the device will be discontinued, and a lifetime-buy period is in effect.

NRND: Not recommended for new designs. Device is in production to support existing customers, but TI does not recommend using this part in a new design.

PREVIEW: Device has been announced but is not in production. Samples may or may not be available.

OBSOLETE: TI has discontinued the production of the device.

(2) Eco Plan - The planned eco-friendly classification: Pb-Free (RoHS), Pb-Free (RoHS Exempt), or Green (RoHS & no Sb/Br) - please check <http://www.ti.com/productcontent> for the latest availability information and additional product content details.

TBD: The Pb-Free/Green conversion plan has not been defined.

Pb-Free (RoHS): TI's terms "Lead-Free" or "Pb-Free" mean semiconductor products that are compatible with the current RoHS requirements for all 6 substances, including the requirement that lead not exceed 0.1% by weight in homogeneous materials. Where designed to be soldered at high temperatures, TI Pb-Free products are suitable for use in specified lead-free processes.

Pb-Free (RoHS Exempt): This component has a RoHS exemption for either 1) lead-based flip-chip solder bumps used between the die and package, or 2) lead-based die adhesive used between the die and leadframe. The component is otherwise considered Pb-Free (RoHS compatible) as defined above.

Green (RoHS & no Sb/Br): TI defines "Green" to mean Pb-Free (RoHS compatible), and free of Bromine (Br) and Antimony (Sb) based flame retardants (Br or Sb do not exceed 0.1% by weight in homogeneous material)

(3) MSL, Peak Temp. - The Moisture Sensitivity Level rating according to the JEDEC industry standard classifications, and peak solder temperature.

(4) There may be additional marking, which relates to the logo, the lot trace code information, or the environmental category on the device.

(5) Multiple Device Markings will be inside parentheses. Only one Device Marking contained in parentheses and separated by a "~" will appear on a device. If a line is indented then it is a continuation of the previous line and the two combined represent the entire Device Marking for that device.

(6) Lead/Ball Finish - Orderable Devices may have multiple material finish options. Finish options are separated by a vertical ruled line. Lead/Ball Finish values may wrap to two lines if the finish value exceeds the maximum column width.

Important Information and Disclaimer: The information provided on this page represents TI's knowledge and belief as of the date that it is provided. TI bases its knowledge and belief on information provided by third parties, and makes no representation or warranty as to the accuracy of such information. Efforts are underway to better integrate information from third parties. TI has taken and continues to take reasonable steps to provide representative and accurate information but may not have conducted destructive testing or chemical analysis on incoming materials and chemicals. TI and TI suppliers consider certain information to be proprietary, and thus CAS numbers and other limited information may not be available for release.

In no event shall TI's liability arising out of such information exceed the total purchase price of the TI part(s) at issue in this document sold by TI to Customer on an annual basis.

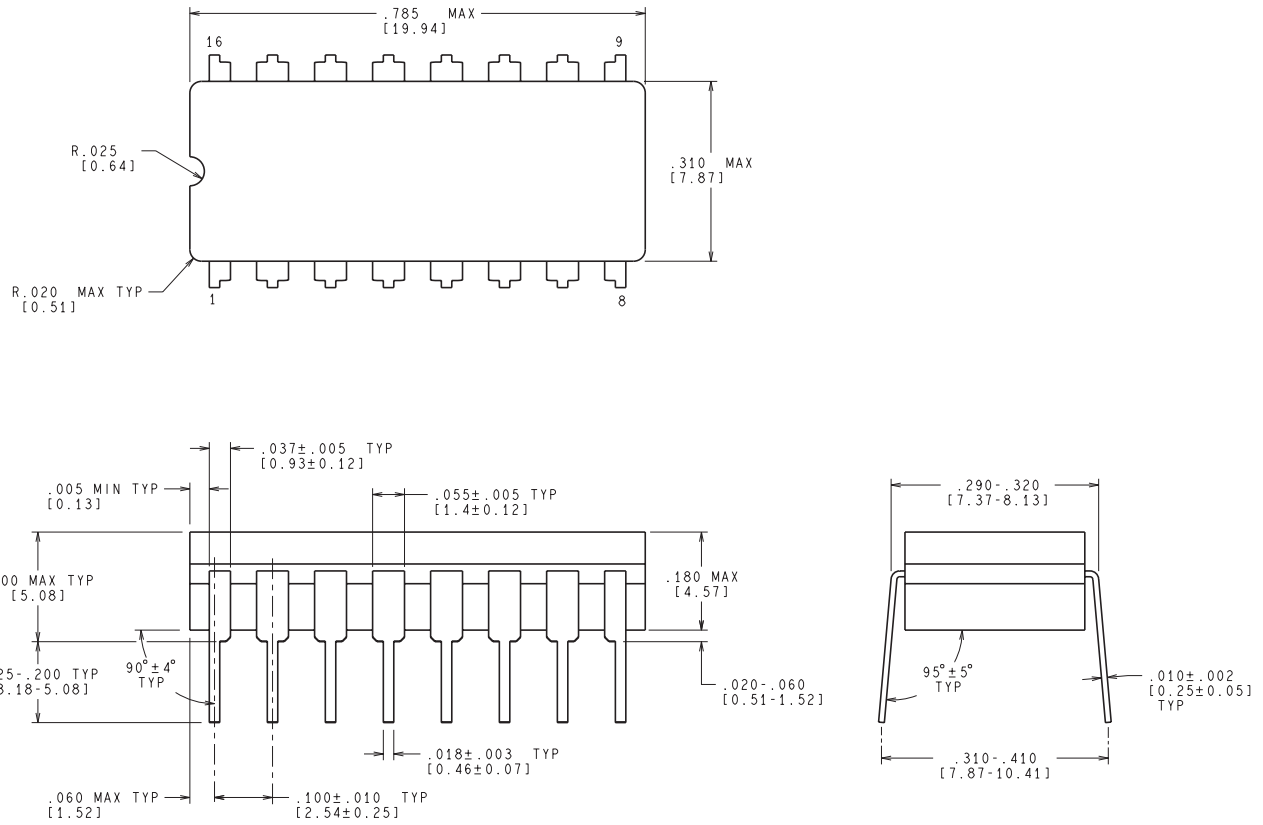
OTHER QUALIFIED VERSIONS OF DS96F175MQML, DS96F175MQML-SP :

- Military: [DS96F175MQML](#)
- Space: [DS96F175MQML-SP](#)

NOTE: Qualified Version Definitions:

- Military - QML certified for Military and Defense Applications
- Space - Radiation tolerant, ceramic packaging and qualified for use in Space-based application

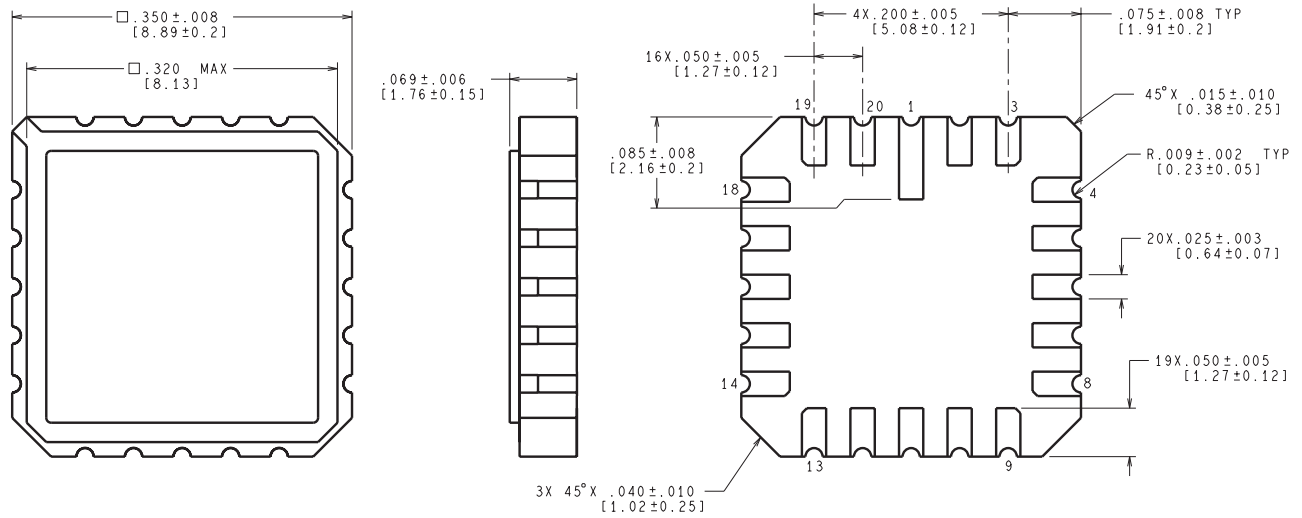
NFE0016A



CONTROLLING DIMENSION IS INCH
VALUES IN [] ARE MILLIMETERS

J16A (REV L)

NAJ0020A



CONTROLLING DIMENSION IS INCH
VALUES IN [] ARE MILLIMETERS

E20A (Rev F)

IMPORTANT NOTICE

Texas Instruments Incorporated and its subsidiaries (TI) reserve the right to make corrections, enhancements, improvements and other changes to its semiconductor products and services per JESD46, latest issue, and to discontinue any product or service per JESD48, latest issue. Buyers should obtain the latest relevant information before placing orders and should verify that such information is current and complete. All semiconductor products (also referred to herein as "components") are sold subject to TI's terms and conditions of sale supplied at the time of order acknowledgment.

TI warrants performance of its components to the specifications applicable at the time of sale, in accordance with the warranty in TI's terms and conditions of sale of semiconductor products. Testing and other quality control techniques are used to the extent TI deems necessary to support this warranty. Except where mandated by applicable law, testing of all parameters of each component is not necessarily performed.

TI assumes no liability for applications assistance or the design of Buyers' products. Buyers are responsible for their products and applications using TI components. To minimize the risks associated with Buyers' products and applications, Buyers should provide adequate design and operating safeguards.

TI does not warrant or represent that any license, either express or implied, is granted under any patent right, copyright, mask work right, or other intellectual property right relating to any combination, machine, or process in which TI components or services are used. Information published by TI regarding third-party products or services does not constitute a license to use such products or services or a warranty or endorsement thereof. Use of such information may require a license from a third party under the patents or other intellectual property of the third party, or a license from TI under the patents or other intellectual property of TI.

Reproduction of significant portions of TI information in TI data books or data sheets is permissible only if reproduction is without alteration and is accompanied by all associated warranties, conditions, limitations, and notices. TI is not responsible or liable for such altered documentation. Information of third parties may be subject to additional restrictions.

Resale of TI components or services with statements different from or beyond the parameters stated by TI for that component or service voids all express and any implied warranties for the associated TI component or service and is an unfair and deceptive business practice. TI is not responsible or liable for any such statements.

Buyer acknowledges and agrees that it is solely responsible for compliance with all legal, regulatory and safety-related requirements concerning its products, and any use of TI components in its applications, notwithstanding any applications-related information or support that may be provided by TI. Buyer represents and agrees that it has all the necessary expertise to create and implement safeguards which anticipate dangerous consequences of failures, monitor failures and their consequences, lessen the likelihood of failures that might cause harm and take appropriate remedial actions. Buyer will fully indemnify TI and its representatives against any damages arising out of the use of any TI components in safety-critical applications.

In some cases, TI components may be promoted specifically to facilitate safety-related applications. With such components, TI's goal is to help enable customers to design and create their own end-product solutions that meet applicable functional safety standards and requirements. Nonetheless, such components are subject to these terms.

No TI components are authorized for use in FDA Class III (or similar life-critical medical equipment) unless authorized officers of the parties have executed a special agreement specifically governing such use.

Only those TI components which TI has specifically designated as military grade or "enhanced plastic" are designed and intended for use in military/aerospace applications or environments. Buyer acknowledges and agrees that any military or aerospace use of TI components which have **not** been so designated is solely at the Buyer's risk, and that Buyer is solely responsible for compliance with all legal and regulatory requirements in connection with such use.

TI has specifically designated certain components as meeting ISO/TS16949 requirements, mainly for automotive use. In any case of use of non-designated products, TI will not be responsible for any failure to meet ISO/TS16949.

Products

Audio	www.ti.com/audio
Amplifiers	amplifier.ti.com
Data Converters	dataconverter.ti.com
DLP® Products	www.dlp.com
DSP	dsp.ti.com
Clocks and Timers	www.ti.com/clocks
Interface	interface.ti.com
Logic	logic.ti.com
Power Mgmt	power.ti.com
Microcontrollers	microcontroller.ti.com
RFID	www.ti-rfid.com
OMAP Applications Processors	www.ti.com/omap
Wireless Connectivity	www.ti.com/wirelessconnectivity

Applications

Automotive and Transportation	www.ti.com/automotive
Communications and Telecom	www.ti.com/communications
Computers and Peripherals	www.ti.com/computers
Consumer Electronics	www.ti.com/consumer-apps
Energy and Lighting	www.ti.com/energy
Industrial	www.ti.com/industrial
Medical	www.ti.com/medical
Security	www.ti.com/security
Space, Avionics and Defense	www.ti.com/space-avionics-defense
Video and Imaging	www.ti.com/video

TI E2E Community

e2e.ti.com