

# ESD2CANxx36-Q1 Automotive 2-Channel, 36V ESD Protection Diode for In-Vehicle Networks

## 1 Features

- 36V working voltage
- IEC 61000-4-2 ESD protection:
  - $\pm 25\text{kV}$  contact and  $\pm 25\text{kV}$  air-gap discharge (ESD2CAN36-Q1)
  - $\pm 18\text{kV}$  contact and  $\pm 18\text{kV}$  air-gap discharge (ESD2CANFD36-Q1)
- ISO 10605 (330pF, 330  $\Omega$ ) ESD protection:
  - $\pm 25\text{kV}$  contact and  $\pm 25\text{kV}$  air-gap discharge (ESD2CAN36-Q1)
  - $\pm 18\text{kV}$  contact and  $\pm 18\text{kV}$  air-gap discharge (ESD2CANFD36-Q1)
- IEC 61000-4-5 surge protection (8/20 $\mu\text{s}$ ):
  - 4.3A (ESD2CAN36-Q1)
  - 3.1A (ESD2CANFD36-Q1)
- Bidirectional ESD protection
- I/O capacitance = 2.8pF typical (ESD2CAN36-Q1)
- I/O capacitance = 2.6pF typical (ESD2CANFD36-Q1)
- Low clamping voltage protects downstream components
- AEC-Q101 qualified
- SOT-23 (DBZ) small, standard footprint
- Leaded packages to allow for automatic optical inspection (AOI)

## 2 Applications

- **Automotive in-vehicle networks:**
  - Controller area network (CAN)
  - Controlled area network flexible data-rate (CAN-FD)
  - Low, fault tolerant CAN
  - High-speed CAN
- **Industrial control networks:**
  - DeviceNet IEC 62026-3
  - CANopen – CiA 301/302-2 and EN 50325-4

## 3 Description

The ESD2CANxx36-Q1 is a bidirectional ESD protection diode for controller area network (CAN) interface protection. The ESD2CANxx36-Q1 is rated to dissipate contact ESD strikes specified in the ISO 10605 automotive standard. The low dynamic resistance and low clamping voltage enables system level protection against transient events. This protection is key as automotive systems require a high level of robustness and reliability for safety applications.

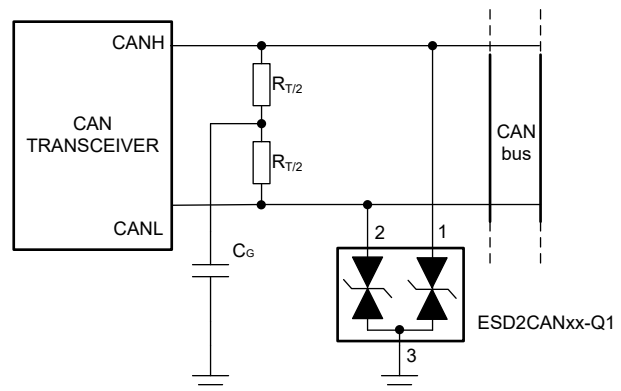
This device features a low IO capacitance per channel and a pin-out to suit two automotive CAN bus lines (CANH and CANL) from the damage caused by electrostatic discharge (ESD) and other transients. Additionally, the 2.8pF (typical) or less line capacitance of the ESD2CANxx36-Q1 is an excellent choice for CAN, CAN-FD, and CAN SiC applications.

The ESD2CANxx36-Q1 is offered in the 3-pin SOT-23 leaded package for easy flow through routing.

### Device Information

PART NUMBER	CHANNEL COUNT	PACKAGE <sup>(1)</sup>
ESD2CAN36-Q1	2 Channels	DBZ (SOT-23, 3)
ESD2CANFD36-Q1		

(1) For more information, see [Section 9](#)



**ESD2CANxx36-Q1 Typical Application**



## Table of Contents

<b>1 Features</b> .....	1	5.9 Typical Characteristics- ESD2CANFD36-Q1.....	6
<b>2 Applications</b> .....	1	<b>6 Application and Implementation</b> .....	7
<b>3 Description</b> .....	1	6.1 Application Information.....	7
<b>4 Pin Configuration and Functions</b> .....	2	<b>7 Device and Documentation Support</b> .....	8
<b>5 Specifications</b> .....	3	7.1 Documentation Support.....	8
5.1 Absolute Maximum Ratings.....	3	7.2 Receiving Notification of Documentation Updates.....	8
5.2 ESD Ratings—AEC Specification.....	3	7.3 Support Resources.....	8
5.3 ESD Ratings—IEC Specification.....	3	7.4 Trademarks.....	8
5.4 ESD Ratings - ISO Specification.....	3	7.5 Electrostatic Discharge Caution.....	8
5.5 Recommended Operating Conditions.....	4	7.6 Glossary.....	8
5.6 Thermal Information.....	4	<b>8 Revision History</b> .....	8
5.7 Electrical Characteristics.....	4	<b>9 Mechanical, Packaging, and Orderable Information</b> .....	8
5.8 Typical Characteristics – ESD2CAN36-Q1.....	5		

## 4 Pin Configuration and Functions

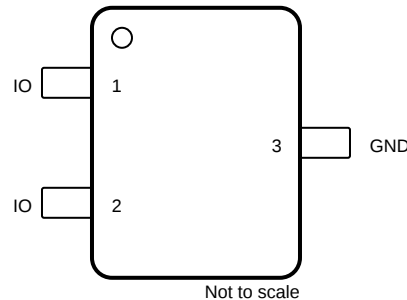


Figure 4-1. DBZ Package, 3-Pin SOT-23 (Top View)

Table 4-1. Pin Functions

PIN		TYPE <sup>(1)</sup>	DESCRIPTION
NAME	NO.		
IO	1, 2	I/O	ESD protected IO
GND	3	G	Connect to ground.

(1) I/O = Input or Output, G = Ground

## 5 Specifications

### 5.1 Absolute Maximum Ratings

over operating free-air temperature range (unless otherwise noted)<sup>(1)</sup>

PARAMETER		DEVICE	MIN	MAX	UNIT
P <sub>pp</sub>	IEC 61000-4-5 Power (t <sub>p</sub> – 8/20 μs) at 25°C	ESD2CAN36-Q1		233	W
		ESD2CANFD36-Q1		175	
I <sub>pp</sub>	IEC 61000-4-5 current (t <sub>p</sub> – 8/20 μs) at 25°C	ESD2CAN36-Q1		4.3	A
		ESD2CANFD36-Q1		3.1	
T <sub>A</sub>	Operating free-air temperature		-55	150	°C
T <sub>J</sub>	Junction temperature		-55	150	
T <sub>stg</sub>	Storage temperature		-65	155	

- (1) Operation outside the *Absolute Maximum Rating* may cause permanent device damage. *Absolute Maximum Rating* do not imply functional operation of the device at these or any other conditions beyond those listed under *Recommended Operating Condition*. If used outside the *Recommended Operating Condition* but within the *Absolute Maximum Rating*, the device may not be fully functional, and this may affect device reliability, functionality, performance, and shorten the device lifetime.

### 5.2 ESD Ratings—AEC Specification

PARAMETER	TEST CONDITION	VALUE	UNIT	
V <sub>(ESD)</sub>	Electrostatic discharge	Human body model (HBM), per AEC Q101-001 <sup>(1)</sup>	± 2500	V
		Charged device model (CDM), per AEC Q101-005 <sup>(2)</sup>	± 1000	

- (1) JEDEC document JEP155 states that 500-V HBM allows safe manufacturing with a standard ESD control process.  
(2) JEDEC document JEP157 states that 250-V CDM allows safe manufacturing with a standard ESD control process.

### 5.3 ESD Ratings—IEC Specification

over TA = 25°C (unless otherwise noted)

PARAMETER	TEST CONDITIONS	DEVICE	VALUE	UNIT	
V <sub>(ESD)</sub>	Electrostatic discharge	IEC 61000-4-2 Contact Discharge, all pins	ESD2CAN36-Q1	±25000	V
			ESD2CANFD36-Q1	±18000	
		IEC 61000-4-2 Air-gap Discharge, all pins	ESD2CAN36-Q1	±25000	
			ESD2CANFD36-Q1	±18000	

### 5.4 ESD Ratings - ISO Specification

over TA = 25°C (unless otherwise noted)

PARAMETER	TEST CONDITIONS	DEVICE	VALUE	UNIT		
V <sub>(ESD)</sub>	Electrostatic discharge	Contact discharge	ISO 10605, 150pF, 330Ω, IO	ESD2CAN36-Q1	±25000	V
				ESD2CANFD36-Q1	±18000	
			ISO 10605, 330pF, 330Ω, IO	ESD2CAN36-Q1	±25000	
				ESD2CANFD36-Q1	±18000	
		Air-gap discharge	ISO 10605, 150pF, 330Ω, IO	ESD2CAN36-Q1	±25000	
				ESD2CANFD36-Q1	±18000	
			ISO 10605, 330pF, 330Ω, IO	ESD2CAN36-Q1	±25000	
				ESD2CANFD36-Q1	±18000	

## 5.5 Recommended Operating Conditions

over operating free-air temperature range (unless otherwise noted)

PARAMETER		MIN	NOM	MAX	UNIT
V <sub>IN</sub>	Input voltage	-36		36	V
T <sub>A</sub>	Operating free-air temperature	-55		150	°C

## 5.6 Thermal Information

THERMAL METRIC <sup>(1)</sup>		ESD2CAN36-Q1	ESD2CANFD36-Q1	UNIT
		DBZ (SOT-23)	DBZ (SOT-23)	
		3 PINS	3 PINS	
R <sub>θJA</sub>	Junction-to-ambient thermal resistance	293.4	313.5	°C/W
R <sub>θJC(top)</sub>	Junction-to-case (top) thermal resistance	148.9	162.8	°C/W
R <sub>θJB</sub>	Junction-to-board thermal resistance	133.0	151.8	°C/W
Ψ <sub>JT</sub>	Junction-to-top characterization parameter	32.9	43.5	°C/W
Ψ <sub>JB</sub>	Junction-to-board characterization parameter	132.0	150.8	°C/W
R <sub>θJC(bot)</sub>	Junction-to-case (bottom) thermal resistance	N/A	N/A	°C/W

- (1) For more information about traditional and new thermal metrics, see the [Semiconductor and IC Package Thermal Metrics](#) application report.

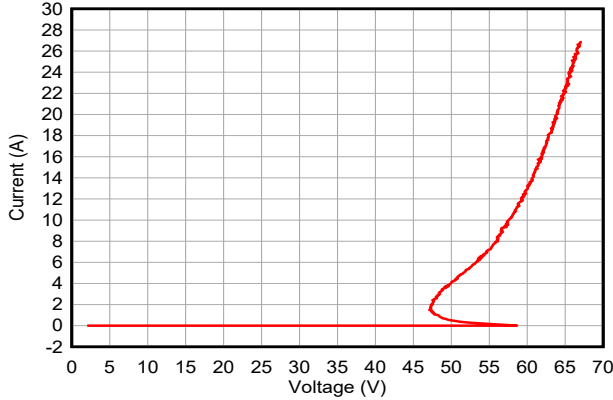
## 5.7 Electrical Characteristics

over T<sub>A</sub> = 25°C (unless otherwise noted)<sup>(1)</sup>

PARAMETER		TEST CONDITIONS	DEVICE	MIN	TYP	MAX	UNIT
V <sub>RWM</sub>	Reverse stand-off voltage			-36		36	V
V <sub>BRF</sub>	Breakdown voltage <sup>(2)</sup>	I <sub>IO</sub> = 10mA, IO to GND		37.8	40	44.2	V
V <sub>BRR</sub>		I <sub>IO</sub> = -10mA, IO to GND		-37.8	-40	-44.2	V
V <sub>CLAMP</sub>	Clamping voltage <sup>(3)</sup>	I <sub>PP</sub> = 1A, t <sub>p</sub> = 8/20μs, IO to GND	ESD2CAN36-Q1		43		V
V <sub>CLAMP</sub>		I <sub>PP</sub> = 4.3A, t <sub>p</sub> = 8/20μs, IO to GND	ESD2CAN36-Q1		61		V
V <sub>CLAMP</sub>		I <sub>PP</sub> = 1A, t <sub>p</sub> = 8/20μs, IO to GND	ESD2CANFD36-Q1		47		V
V <sub>CLAMP</sub>		I <sub>PP</sub> = 3.1A, t <sub>p</sub> = 8/20μs, IO to GND	ESD2CANFD36-Q1		61		V
V <sub>CLAMP</sub>	Clamping voltage <sup>(4)</sup>	I <sub>PP</sub> = 16 A, TLP, IO to GND or GND to IO	ESD2CAN36-Q1		63		V
V <sub>CLAMP</sub>			ESD2CANFD36-Q1		64		V
I <sub>LEAK</sub>	Leakage current	V <sub>IO</sub> = ±24 V, IO to GND		-50	5	50	nA
R <sub>DYN</sub>	Dynamic resistance <sup>(4)</sup>	IO to GND and GND to IO	ESD2CAN36-Q1		0.49		Ω
			ESD2CANFD36-Q1		0.49		Ω
C <sub>L</sub>	Line capacitance <sup>(5)</sup>	V <sub>IO</sub> = 0 V, f = 1MHz, V <sub>pp</sub> = 30mV	ESD2CAN36-Q1		2.8	3.5	pF
			ESD2CANFD36-Q1		2.6	2.9	

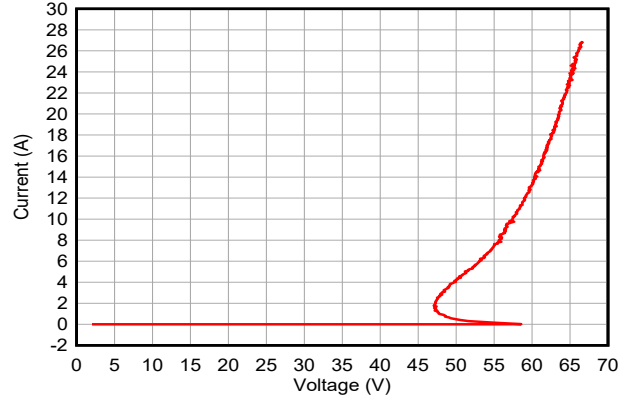
- (1) Measurements made on each IO channel  
 (2) V<sub>BRF</sub> and V<sub>BRR</sub> are defined as the voltage when ±10mA is applied in the positive and negative going direction respectively, before the device latches into the snapback state  
 (3) Device stressed with 8/20μs exponential decay waveform according to IEC 61000-4-5  
 (4) Non-repetitive current pulse, Transmission Line Pulse (TLP); square pulse; ANSI / ESD STM5.5.1-2008  
 (5) Measured from IO to GND on each channel

### 5.8 Typical Characteristics – ESD2CAN36-Q1



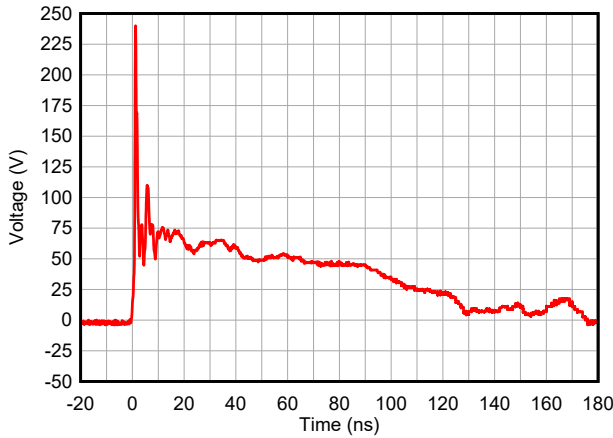
tp = 100 ns, Transmission Line Pulse (TLP)

**Figure 5-1. Positive TLP Curve**

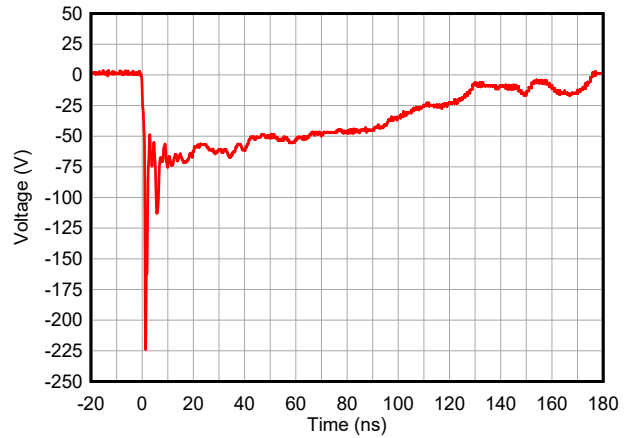


tp = 100 ns, Transmission Line Pulse (TLP)

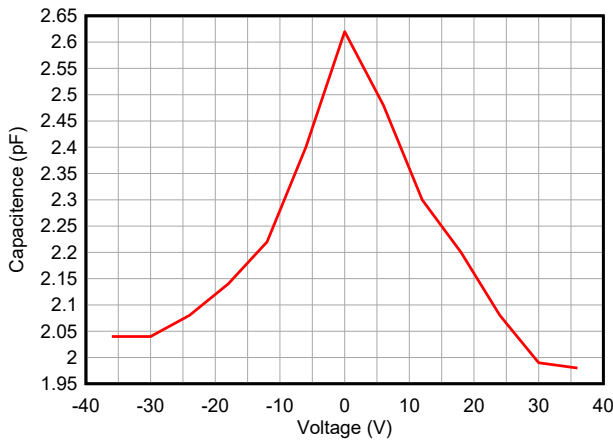
**Figure 5-2. Negative TLP Curve**



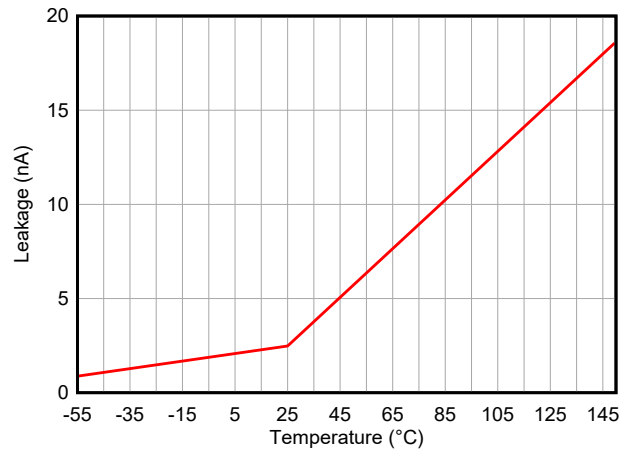
**Figure 5-3. +8kV Clamped IEC Waveform**



**Figure 5-4. -8kV Clamped IEC Waveform**

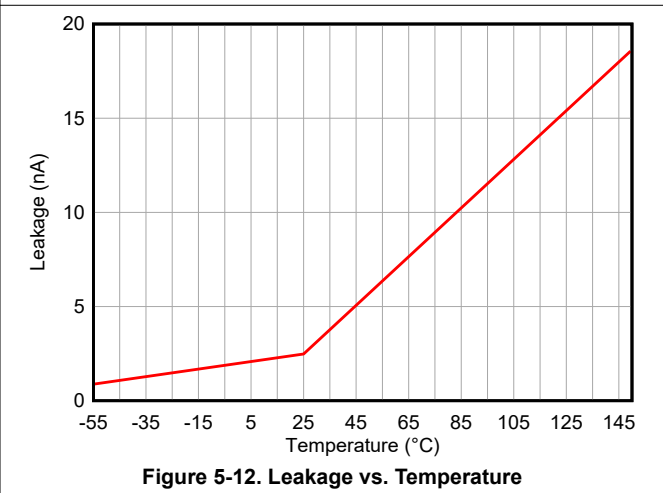
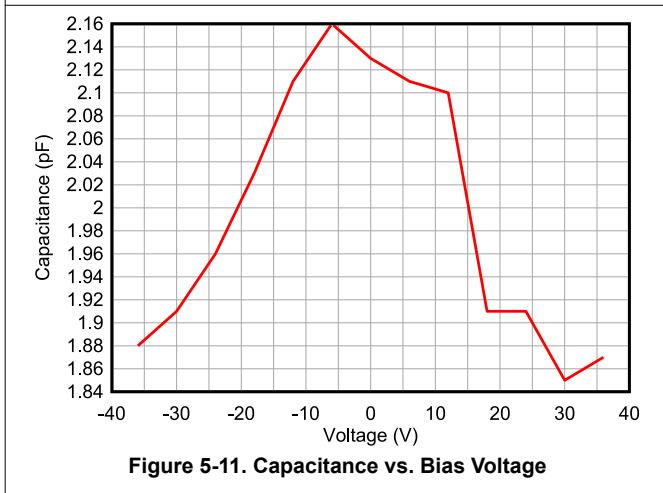
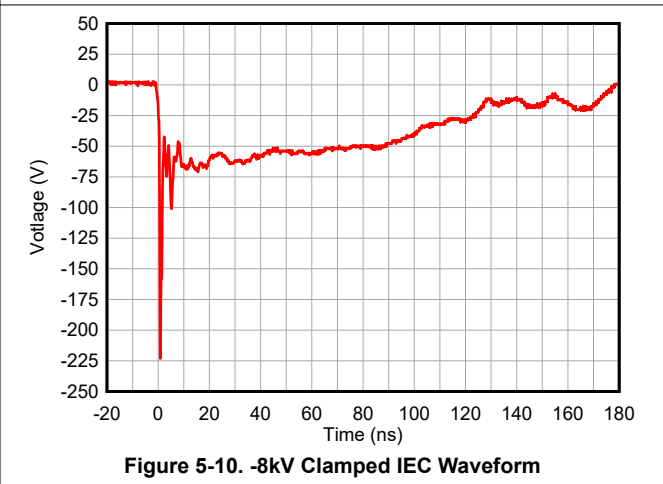
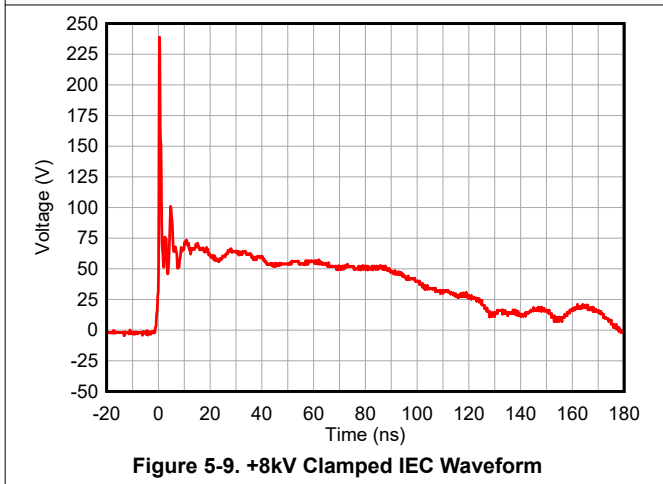
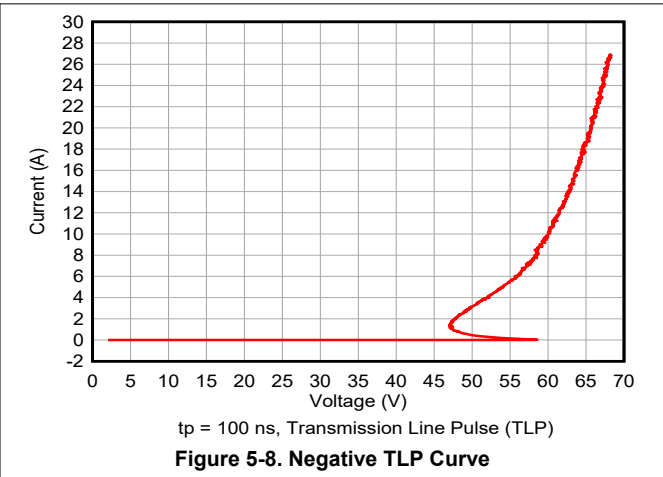
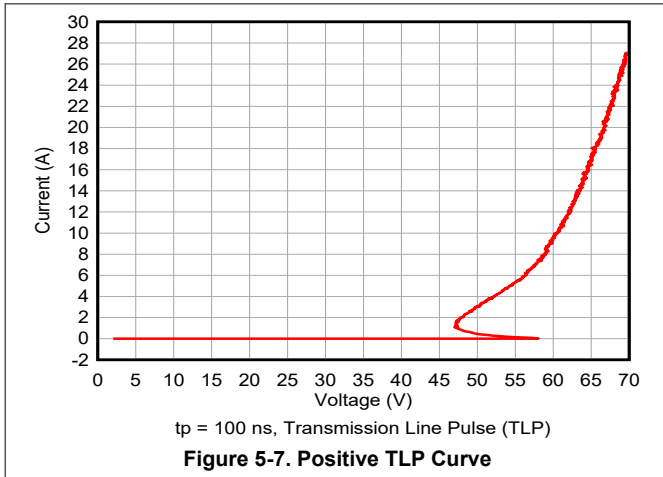


**Figure 5-5. Capacitance vs. Bias Voltage**



**Figure 5-6. Leakage Current vs. Bias Voltage Across Temperature**

### 5.9 Typical Characteristics- ESD2CANFD36-Q1



## 6 Application and Implementation

---

### Note

Information in the following applications sections is not part of the TI component specification, and TI does not warrant its accuracy or completeness. TI's customers are responsible for determining suitability of components for their purposes, as well as validating and testing their design implementation to confirm system functionality.

---

### 6.1 Application Information

The ESD2CANxx36-Q1 is a dual channel TVS diode that provides a path to ground for dissipating ESD events on differential CAN signal lines. The CAN signal lines are typically routed throughout the automobile to connect between the different ECUs. As the current from ESD passes through the TVS, only a small voltage drop is present across the diode. This is the voltage presented to the protected IC. The low  $R_{DYN}$  of the triggered TVS holds this voltage ( $V_{CLAMP}$ ) to a safe level for the protected IC.

## 7 Device and Documentation Support

TI offers an extensive line of development tools. Tools and software to evaluate the performance of the device, generate code, and develop solutions are listed below.

### 7.1 Documentation Support

#### 7.1.1 Related Documentation

For related documentation, see the following:

- Texas Instruments, [ESD Layout Guide user's guide](#)
- Texas Instruments, [ESD Protection Diodes EVM user's guide](#)
- Texas Instruments, [Generic ESD Evaluation Module user's guide](#)
- Texas Instruments, [Reading and Understanding an ESD Protection data sheet](#)

### 7.2 Receiving Notification of Documentation Updates

To receive notification of documentation updates, navigate to the device product folder on [ti.com](http://ti.com). Click on *Notifications* to register and receive a weekly digest of any product information that has changed. For change details, review the revision history included in any revised document.

### 7.3 Support Resources

TI E2E™ [support forums](#) are an engineer's go-to source for fast, verified answers and design help — straight from the experts. Search existing answers or ask your own question to get the quick design help you need.

Linked content is provided "AS IS" by the respective contributors. They do not constitute TI specifications and do not necessarily reflect TI's views; see TI's [Terms of Use](#).

### 7.4 Trademarks

TI E2E™ is a trademark of Texas Instruments.  
All trademarks are the property of their respective owners.

### 7.5 Electrostatic Discharge Caution



This integrated circuit can be damaged by ESD. Texas Instruments recommends that all integrated circuits be handled with appropriate precautions. Failure to observe proper handling and installation procedures can cause damage.

ESD damage can range from subtle performance degradation to complete device failure. Precision integrated circuits may be more susceptible to damage because very small parametric changes could cause the device not to meet its published specifications.

### 7.6 Glossary

[TI Glossary](#) This glossary lists and explains terms, acronyms, and definitions.

## 8 Revision History

NOTE: Page numbers for previous revisions may differ from page numbers in the current version.

Changes from Revision * (February 2024) to Revision A (March 2024)	Page
• Changed the status of data sheet from: <i>Advanced Information</i> to: <i>Production Data</i> .....	1

## 9 Mechanical, Packaging, and Orderable Information

The following pages include mechanical, packaging, and orderable information. This information is the most current data available for the designated devices. This data is subject to change without notice and revision of this document. For browser-based versions of this data sheet, refer to the left-hand navigation.



**PACKAGING INFORMATION**

Orderable part number	Status (1)	Material type (2)	Package   Pins	Package qty   Carrier	RoHS (3)	Lead finish/ Ball material (4)	MSL rating/ Peak reflow (5)	Op temp (°C)	Part marking (6)
<a href="#">ESD2CAN36DBZRQ1</a>	Active	Production	SOT-23 (DBZ)   3	3000   LARGE T&R	Yes	NIPDAU	Level-1-260C-UNLIM	-55 to 150	2Z18
ESD2CAN36DBZRQ1.Z	Active	Production	SOT-23 (DBZ)   3	3000   LARGE T&R	Yes	NIPDAU	Level-1-260C-UNLIM	-55 to 150	2Z18
<a href="#">ESD2CANFD36DBZRQ1</a>	Active	Production	SOT-23 (DBZ)   3	3000   LARGE T&R	Yes	NIPDAU	Level-1-260C-UNLIM	-55 to 150	2Z58
ESD2CANFD36DBZRQ1.Z	Active	Production	SOT-23 (DBZ)   3	3000   LARGE T&R	Yes	NIPDAU	Level-1-260C-UNLIM	-55 to 150	2Z58

(1) **Status:** For more details on status, see our [product life cycle](#).

(2) **Material type:** When designated, preproduction parts are prototypes/experimental devices, and are not yet approved or released for full production. Testing and final process, including without limitation quality assurance, reliability performance testing, and/or process qualification, may not yet be complete, and this item is subject to further changes or possible discontinuation. If available for ordering, purchases will be subject to an additional waiver at checkout, and are intended for early internal evaluation purposes only. These items are sold without warranties of any kind.

(3) **RoHS values:** Yes, No, RoHS Exempt. See the [TI RoHS Statement](#) for additional information and value definition.

(4) **Lead finish/Ball material:** Parts may have multiple material finish options. Finish options are separated by a vertical ruled line. Lead finish/Ball material values may wrap to two lines if the finish value exceeds the maximum column width.

(5) **MSL rating/Peak reflow:** The moisture sensitivity level ratings and peak solder (reflow) temperatures. In the event that a part has multiple moisture sensitivity ratings, only the lowest level per JEDEC standards is shown. Refer to the shipping label for the actual reflow temperature that will be used to mount the part to the printed circuit board.

(6) **Part marking:** There may be an additional marking, which relates to the logo, the lot trace code information, or the environmental category of the part.

Multiple part markings will be inside parentheses. Only one part marking contained in parentheses and separated by a "~" will appear on a part. If a line is indented then it is a continuation of the previous line and the two combined represent the entire part marking for that device.

**Important Information and Disclaimer:** The information provided on this page represents TI's knowledge and belief as of the date that it is provided. TI bases its knowledge and belief on information provided by third parties, and makes no representation or warranty as to the accuracy of such information. Efforts are underway to better integrate information from third parties. TI has taken and continues to take reasonable steps to provide representative and accurate information but may not have conducted destructive testing or chemical analysis on incoming materials and chemicals. TI and TI suppliers consider certain information to be proprietary, and thus CAS numbers and other limited information may not be available for release.

In no event shall TI's liability arising out of such information exceed the total purchase price of the TI part(s) at issue in this document sold by TI to Customer on an annual basis.

**TAPE AND REEL INFORMATION**

**QUADRANT ASSIGNMENTS FOR PIN 1 ORIENTATION IN TAPE**


\*All dimensions are nominal

Device	Package Type	Package Drawing	Pins	SPQ	Reel Diameter (mm)	Reel Width W1 (mm)	A0 (mm)	B0 (mm)	K0 (mm)	P1 (mm)	W (mm)	Pin1 Quadrant
ESD2CAN36DBZRQ1	SOT-23	DBZ	3	3000	180.0	8.4	2.9	3.35	1.35	4.0	8.0	Q3
ESD2CANFD36DBZRQ1	SOT-23	DBZ	3	3000	180.0	8.4	2.9	3.35	1.35	4.0	8.0	Q3

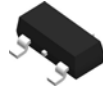
## TAPE AND REEL BOX DIMENSIONS



\*All dimensions are nominal

Device	Package Type	Package Drawing	Pins	SPQ	Length (mm)	Width (mm)	Height (mm)
ESD2CAN36DBZRQ1	SOT-23	DBZ	3	3000	210.0	185.0	35.0
ESD2CANFD36DBZRQ1	SOT-23	DBZ	3	3000	210.0	185.0	35.0

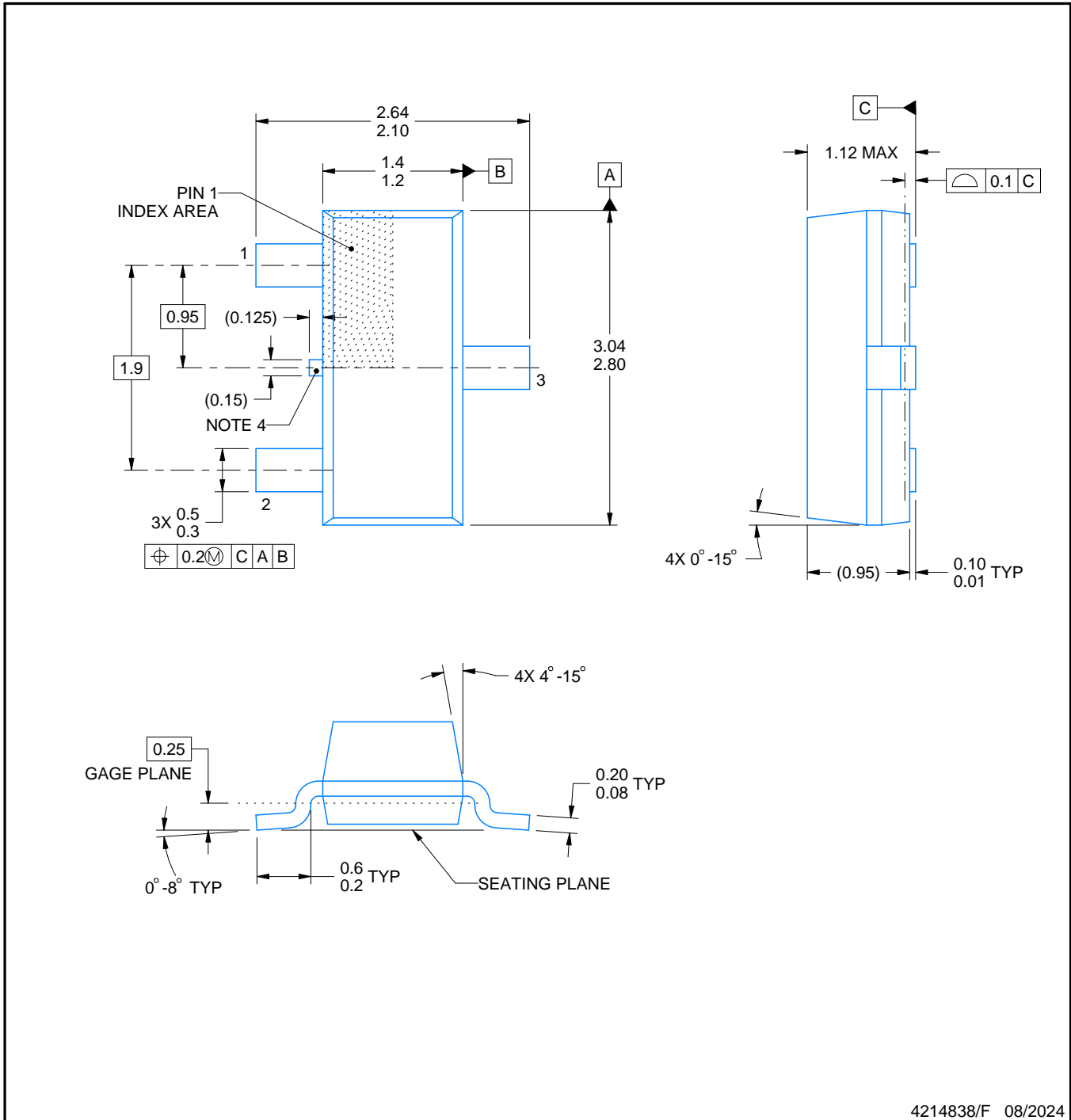
# DBZ0003A



# PACKAGE OUTLINE

SOT-23 - 1.12 mm max height

SMALL OUTLINE TRANSISTOR



**NOTES:**

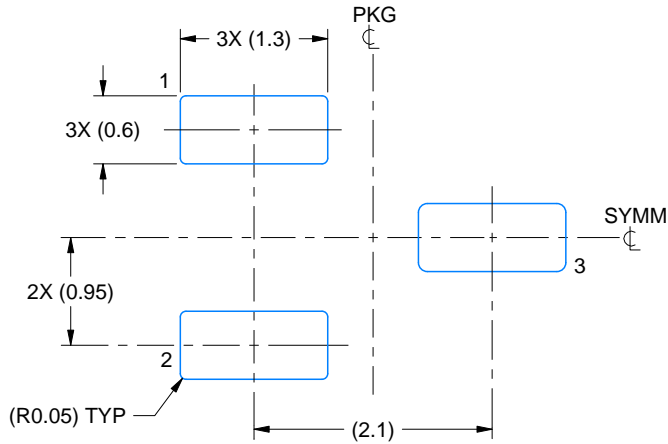
1. All linear dimensions are in millimeters. Any dimensions in parenthesis are for reference only. Dimensioning and tolerancing per ASME Y14.5M.
2. This drawing is subject to change without notice.
3. Reference JEDEC registration TO-236, except minimum foot length.
4. Support pin may differ or may not be present.
5. Body dimensions do not include mold flash, protrusions, or gate burrs. Mold flash, protrusions, or gate burrs shall not exceed 0.25mm per side

# EXAMPLE BOARD LAYOUT

DBZ0003A

SOT-23 - 1.12 mm max height

SMALL OUTLINE TRANSISTOR



LAND PATTERN EXAMPLE  
SCALE:15X



SOLDER MASK DETAILS

4214838/F 08/2024

NOTES: (continued)

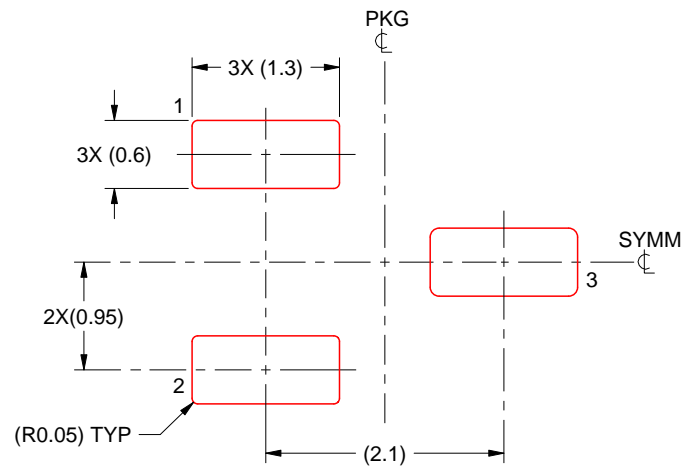
5. Publication IPC-7351 may have alternate designs.
6. Solder mask tolerances between and around signal pads can vary based on board fabrication site.

# EXAMPLE STENCIL DESIGN

DBZ0003A

SOT-23 - 1.12 mm max height

SMALL OUTLINE TRANSISTOR



SOLDER PASTE EXAMPLE  
BASED ON 0.125 THICK STENCIL  
SCALE:15X

4214838/F 08/2024

NOTES: (continued)

7. Laser cutting apertures with trapezoidal walls and rounded corners may offer better paste release. IPC-7525 may have alternate design recommendations.
8. Board assembly site may have different recommendations for stencil design.

## IMPORTANT NOTICE AND DISCLAIMER

TI PROVIDES TECHNICAL AND RELIABILITY DATA (INCLUDING DATA SHEETS), DESIGN RESOURCES (INCLUDING REFERENCE DESIGNS), APPLICATION OR OTHER DESIGN ADVICE, WEB TOOLS, SAFETY INFORMATION, AND OTHER RESOURCES "AS IS" AND WITH ALL FAULTS, AND DISCLAIMS ALL WARRANTIES, EXPRESS AND IMPLIED, INCLUDING WITHOUT LIMITATION ANY IMPLIED WARRANTIES OF MERCHANTABILITY, FITNESS FOR A PARTICULAR PURPOSE OR NON-INFRINGEMENT OF THIRD PARTY INTELLECTUAL PROPERTY RIGHTS.

These resources are intended for skilled developers designing with TI products. You are solely responsible for (1) selecting the appropriate TI products for your application, (2) designing, validating and testing your application, and (3) ensuring your application meets applicable standards, and any other safety, security, regulatory or other requirements.

These resources are subject to change without notice. TI grants you permission to use these resources only for development of an application that uses the TI products described in the resource. Other reproduction and display of these resources is prohibited. No license is granted to any other TI intellectual property right or to any third party intellectual property right. TI disclaims responsibility for, and you will fully indemnify TI and its representatives against, any claims, damages, costs, losses, and liabilities arising out of your use of these resources.

TI's products are provided subject to [TI's Terms of Sale](#) or other applicable terms available either on [ti.com](https://www.ti.com) or provided in conjunction with such TI products. TI's provision of these resources does not expand or otherwise alter TI's applicable warranties or warranty disclaimers for TI products.

TI objects to and rejects any additional or different terms you may have proposed.

Mailing Address: Texas Instruments, Post Office Box 655303, Dallas, Texas 75265  
Copyright © 2025, Texas Instruments Incorporated