

SERIES 24 AND 28 STANDARD AND LOW POWER PROGRAMMABLE READ-ONLY MEMORIES

SEPTEMBER 1979—REVISED AUGUST 1984

- Expanded Family of Standard and Low Power PROMs
- Titanium-Tungsten (Ti-W) Fuse Links for Reliable Low-Voltage Full-Family-Compatible Programming
- Full Decoding and Fast Chip Select Simplify System Design
- P-N-P Inputs for Reduced Loading On System Buffers/Drivers
- Each PROM Supplied With a High Logic Level Stored at Each Bit Location
- Applications Include:
 - Microprogramming/Firmware Loaders
 - Code Converters/Character Generators
 - Translators/Emulators
 - Address Mapping/Look-Up Tables

description

The 24 and 28 Series of monolithic TTL programmable read-only memories (PROMs) feature an expanded selection of standard and low-power PROMs. This expanded PROM family provides the system designer with considerable flexibility in upgrading existing designs or optimizing new designs. Featuring proven titanium-tungsten (Ti-W) fuse links with low-current MOS-compatible p-n-p inputs, all family members utilize a common programming technique designed to program each link with a 20-microsecond pulse.

The 4096-bit and 8192-bit PROMs are offered in a wide variety of packages ranging from 18-pin 300 mil-wide thru 24 pin 600 mil-wide. The 16,384-bit PROMs provide twice the bit density of the 8192-bit PROMs and are provided in a 24 pin 600 mil-wide package.

All PROMs are supplied with a logic-high output level stored at each bit location. The programming procedure will produce open-circuits in the Ti-W metal links, which reverses the stored logic level at the selected location. The procedure is irreversible; once altered, the output for that bit location is permanently programmed. Outputs that have never been altered may later be programmed to supply the opposite output level. Operation of the unit within the recommended operating conditions will not alter the memory content.

Active level(s) at the chip-select input(s) (S or \bar{S}) enables all of the outputs. An inactive level at any chip-select input causes all outputs to be in the three-state, or off condition.

standard PROMs

The standard PROM members of Series 24 and 28 offer high performance for applications which require the uncompromised speed of Schottky technology. The fast chip-select access times allow additional decoding delays to occur without degrading speed performance.

| TYPE NUMBER | PACKAGE [†] AND TEMPERATURE RANGE DESIGNATORS | OUTPUT CONFIGURATION [‡] | BIT SIZE (ORGANIZATION) | TYPICAL PERFORMANCE | | |
|-------------|--|-----------------------------------|-----------------------------|---------------------|--------|-------------------|
| | | | | ACCESS TIMES | | POWER DISSIPATION |
| | | | | ADDRESS | SELECT | |
| TBP24S10 | MJ, J, N | ▽ | 1024 Bits (256W × 4B) | 35 ns | 20 ns | 375 mW |
| TBP24SA10 | MJ, J, N | ◊ | | | | |
| TBP28S42 | MJ, J, N | ▽ | 4096 Bits (512W × 8B) | 35 ns | 20 ns | 500 mW |
| TBP28SA42 | MJ, J, N | ◊ | | | | |
| TBP28S46 | MJW, JW, NW | ▽ | | | | |
| TBP28SA46 | MJW, JW, NW | ◊ | | | | |
| TBP24S41 | MJ, J, N | ▽ | 4096 Bits (1024 × 4B) | 40 ns | 20 ns | 475 mW |
| TBP24SA41 | MJ, J, N | ◊ | 8192 Bits (2048 × 4B) | 45 ns | 20 ns | 625 mW |
| TBP24S81 | MJ, J, N | ▽ | | | | |
| TBP24SA81 | MJ, J, N | ◊ | 8192 Bits (1024 × 8B) | 45 ns | 20 ns | 625 mW |
| TBP28S86A | MJW, JW, NW | ▽ | | | | |
| TBP28SA86A | MJW, JW, NW | ◊ | | | | |
| TBP28S2708A | NW | ▽ | | | | |
| TBP28S166 | NW | ▽ | 16,384 Bits (2048W × 8B) | 35 ns | 15 ns | 650 mW |

[†]MJ and MJW designates full-temperature-range circuits (formerly 54 Family), J, JW, N, and NW designates commercial-temperature-range circuits (formerly 74 Family).

[‡]▽ = three state, ◊ = open collector.

4

PROMS

SERIES 24 AND 28 STANDARD AND LOW-POWER PROGRAMMABLE READ-ONLY MEMORIES

low power PROMs

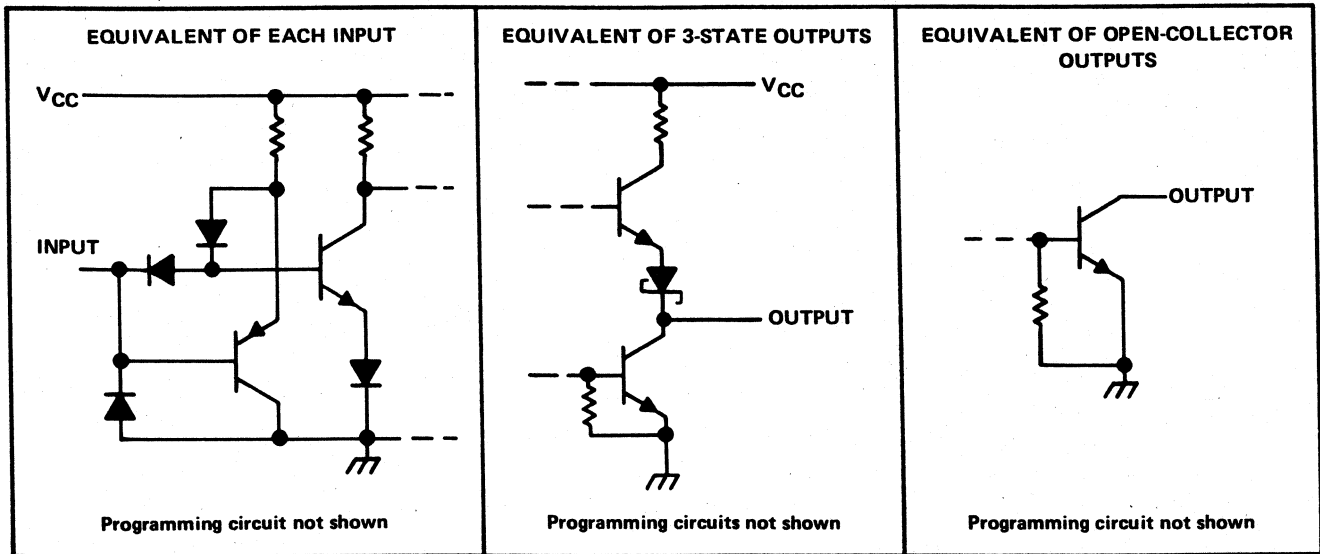
To upgrade systems utilizing MOS EPROMs or MOS PROMs, or when designing new systems which do not require maximum speed, the low-power PROM family offers the output drive and speed performance of bipolar technology, plus reduced power dissipation.

| TYPE NUMBER | PACKAGE [†] AND TEMPERATURE RANGE DESIGNATORS | OUTPUT CONFIGURATION [‡] | BIT SIZE (ORGANIZATION) | TYPICAL PERFORMANCE | | |
|-------------|--|-----------------------------------|-----------------------------|---------------------|--------|-------------------|
| | | | | ACCESS TIMES | | POWER DISSIPATION |
| | | | | ADDRESS | SELECT | |
| TBP28L22 | MJ, J, N | ▽ | 2048 Bits (256W × 8B) | 45 ns | 20 ns | 375 mW |
| TBP28LA22 | MJ, J, N | ◊ | | | | |
| TBP28L42 | MJ, J, N | ▽ | 4096 Bits (512W × 8B) | 60 ns | 30 ns | 250 mW |
| TBP28L46 | MJW, JW, NW | ▽ | | | | |
| TBP28L86A | MJW, JW, NW | ▽ | 8192 Bits (1024W × 8B) | 80 ns | 35 ns | 350 mW |
| TBP28L166 | NW | ▽ | 16,384 Bits (2084W × 8B) | 65 ns | 30 ns | 350 mW |

[†] MJ and MJW designates full-temperature-range circuits (formerly 54 Family), J, JW, N, and NW designates commercial-temperature-range circuits (formerly 74 Family).

[‡] ▽ = three state, ◊ = open collector.

schematics of inputs and outputs



absolute maximum ratings over operating free-air temperature range (unless otherwise noted)

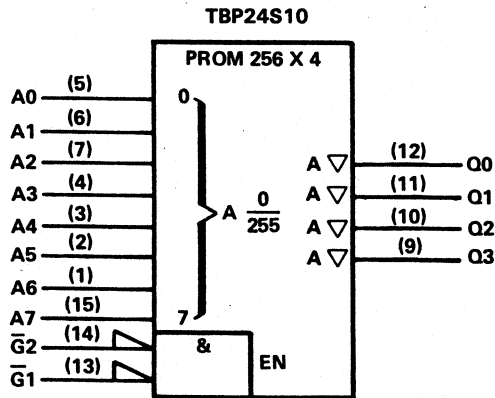
| | |
|--|----------------|
| Supply voltage (see Note 1) | 7 V |
| Input voltage | 5.5 V |
| Chip-select peak input voltage (S, S1, S2) (see Note 2) | 11 V |
| Off-state output voltage | 5.5 V |
| Off-state peak output voltage (see Note 2) | 16.25 V |
| Operating free-air temperature range: Full-temperature-range circuits (M suffix) | -55°C to 125°C |
| Commercial-temperature-range circuits | 0°C to 70°C |
| Storage temperature range | -65°C to 150°C |

NOTES: 1. Voltage values are with respect to network ground terminal.

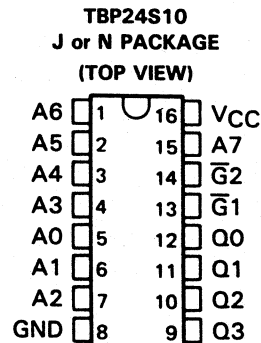
2. These ratings apply only under the conditions described in the programming procedure.

TBP24S10
1024 BIT (256 WORDS BY 4 BITS)
STANDARD PROGRAMMABLE READ-ONLY MEMORIES WITH 3-STATE OUTPUTS

logic symbol



pin assignment



recommended operating conditions

| PARAMETER | MJ | | | J OR N | | | UNIT |
|---|-----|-----|-----|--------|-----|------|------|
| | MIN | NOM | MAX | MIN | NOM | MAX | |
| V _{CC} Supply voltage | 4.5 | 5 | 5.5 | 4.75 | 5 | 5.25 | V |
| V _{IH} High-level input voltage | 2 | | | 2 | | | V |
| V _{IL} Low-level input voltage | | | 0.8 | | | 0.8 | V |
| I _{OH} High-level output current | | | -2 | | | -6.5 | mA |
| I _{OL} Low-level output current | | | 16 | | | 16 | mA |
| T _A Operating free-air temperature range | -55 | | 125 | 0 | | 70 | °C |

electrical characteristics over recommended operating free-air temperature range (unless otherwise noted)

| PARAMETER | TEST CONDITIONS † | MJ | | | J OR N | | | UNIT |
|-------------------|--|-----|------|-------|--------|------|-------|------|
| | | MIN | TYP‡ | MAX | MIN | TYP‡ | MAX | |
| V _{IK} | V _{CC} = MIN, I _I = -18 mA | | | -1.2 | | | -1.2 | V |
| V _{OH} | V _{CC} = MIN, I _{OH} = MAX | 2.4 | 3.1 | | 2.4 | 3.1 | | V |
| V _{OL} | V _{CC} = MIN, I _{OL} = 16 mA | | | 0.5 | | | 0.5 | V |
| I _{OZH} | V _{CC} = MAX, V _O = 2.4 V | | | 50 | | | 50 | μA |
| I _{OZL} | V _{CC} = MAX, V _O = 0.5 V | | | -50 | | | -50 | μA |
| I _I | V _{CC} = MAX, V _I = 5.5 V | | | 1 | | | 1 | mA |
| I _{IH} | V _{CC} = MAX, V _I = 2.7 V | | | 25 | | | 25 | μA |
| I _{IL} | V _{CC} = MAX, V _I = 0.5 V | | | -0.25 | | | -0.25 | mA |
| I _{OS} § | V _{CC} = MAX | -30 | | -100 | -30 | | -100 | mA |
| I _{CC} | V _{CC} = MAX | | 75 | 100 | | 75 | 100 | mA |

switching characteristics over recommended ranges of T_A and V_{CC} (unless otherwise noted)

| PARAMETER | TEST CONDITIONS | MJ | | | J OR N | | | UNIT |
|--|-------------------------------------|-----|------|-----|--------|------|-----|------|
| | | MIN | TYP‡ | MAX | MIN | TYP‡ | MAX | |
| t _{a(A)} Access time from address | C _L = 30 pF | | 35 | 75 | | 35 | 55 | ns |
| t _{a(S)} Access time from chip select (enable time) | See Note 3 | | 20 | 40 | | 20 | 35 | ns |
| t _{dis} Disable time | C _L = 5 pF See Note 3 | | 15 | 40 | | 15 | 35 | ns |

†For conditions shown as MIN or MAX, use appropriate value specified under recommended operating conditions.

‡All typical values are at V_{CC} = 5 V, T_A = 25 °C.

§Not more than one output should be shorted at a time, and duration of the short circuit should not exceed one second.

NOTE 3: Load circuits and voltage waveforms are shown in Section 1.

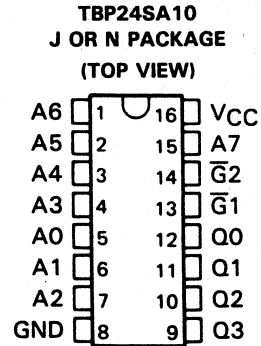
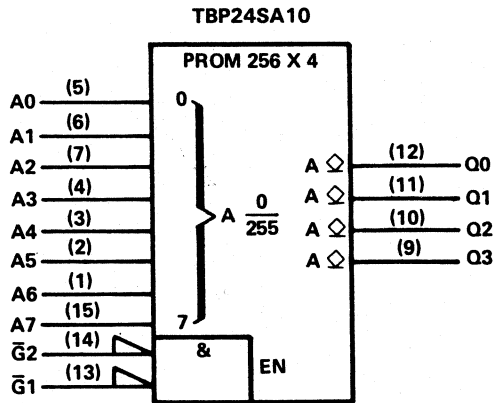
4

PROMS

TBP24SA10
1024 BITS (256 WORDS BY 4 BITS)
STANDARD PROGRAMMABLE READ-ONLY MEMORIES WITH OPEN-COLLECTOR OUTPUTS

logic symbol

pin assignment



recommended operating conditions

| PARAMETER | | MJ | | | J OR N | | | UNIT |
|-----------------|--------------------------------------|-----|-----|-----|--------|-----|------|------|
| | | MIN | NOM | MAX | MIN | NOM | MAX | |
| V _{CC} | Supply voltage | 4.5 | 5 | 5.5 | 4.75 | 5 | 5.25 | V |
| V _{IH} | High-level input voltage | 2 | | | 2 | | | V |
| V _{IL} | Low-level input voltage | | | 0.8 | | | 0.8 | V |
| V _{OH} | High-level output voltage | | | 5.5 | | | 5.5 | V |
| I _{OL} | Low-level output current | | | 16 | | | 16 | mA |
| T _A | Operating free-air temperature range | -55 | | 125 | 0 | | 70 | °C |

4

PROMS

electrical characteristics over recommended operating free-air temperature range (unless otherwise noted)

| PARAMETER | TEST CONDITIONS [†] | MJ | | | J OR N | | | UNIT |
|-----------------|--|-----|------------------|-------|--------|------------------|-------|------|
| | | MIN | TYP [‡] | MAX | MIN | TYP [‡] | MAX | |
| V _{IK} | V _{CC} = MIN, I _I = -18 mA | | | -1.2 | | | -1.2 | V |
| I _{OH} | V _{CC} = MIN, V _{OH} = 2.4 V | | | 0.05 | | | 0.05 | mA |
| | | | | 0.1 | | | 0.1 | |
| V _{OL} | V _{CC} = MIN, I _{OL} = 16 mA | | | 0.5 | | | 0.45 | V |
| I _I | V _{CC} = MAX, V _I = 5.5 V | | | 1 | | | 1 | mA |
| I _{IH} | V _{CC} = MAX, V _I = 2.7 V | | | 25 | | | 25 | μA |
| I _{IL} | V _{CC} = MAX, V _I = 0.5 V | | | -0.25 | | | -0.25 | mA |
| I _{CC} | V _{CC} = MAX | 75 | 100 | | 75 | 100 | | mA |

switching characteristics over recommended ranges of T_A and V_{CC} (unless otherwise noted)

| PARAMETER | TEST CONDITIONS | MJ | | | J OR N | | | UNIT | |
|-------------------|--|-----|------------------|-----|--------|------------------|-----|------|----|
| | | MIN | TYP [‡] | MAX | MIN | TYP [‡] | MAX | | |
| t _{a(A)} | Access time from address | | | 35 | 75 | | 35 | 65 | ns |
| t _{a(S)} | Access time from chip select (enable time) | | | 20 | 40 | | 20 | 35 | ns |
| t _{PLH} | Propagation delay time low-to-high-level output from chip select | | | 15 | 40 | | 20 | 35 | ns |

[†]For conditions shown as MIN or MAX, use appropriate value specified under recommended operating conditions.

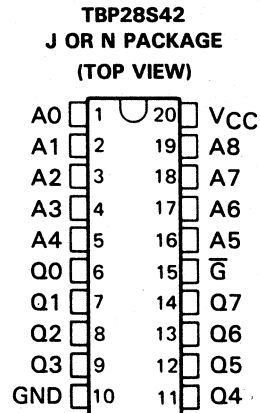
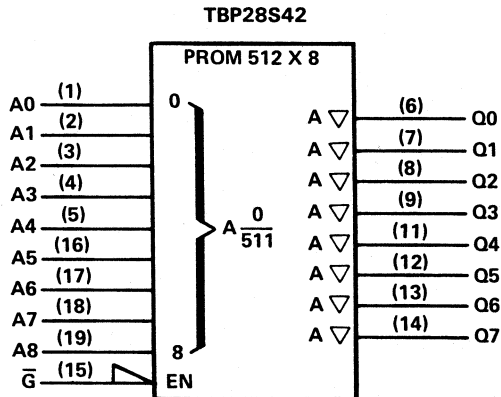
[‡]All typical values are at V_{CC} = 5 V, T_A = 25°C.

NOTE 3: Load circuits and voltage waveforms are shown in Section 1.

TBP28S42
4096 BITS (512 WORDS BY 8 BITS)
STANDARD PROGRAMMABLE READ-ONLY MEMORIES WITH 3-STATE OUTPUTS

logic symbol

pin assignment



recommended operating conditions

| PARAMETER | DESCRIPTION | MJ | | | J OR N | | | UNIT |
|-----------------|--------------------------------------|-----|-----|-----|--------|-----|------|------|
| | | MIN | NOM | MAX | MIN | NOM | MAX | |
| V _{CC} | Supply voltage | 4.5 | 5 | 5.5 | 4.75 | 5 | 5.25 | V |
| V _{IH} | High-level input voltage | 2 | | | 2 | | | V |
| V _{IL} | Low-level input voltage | | | 0.8 | | | 0.8 | V |
| I _{OH} | High-level output current | | | -2 | | | -6.5 | mA |
| I _{OL} | Low-level output current | | | 16 | | | 16 | mA |
| T _A | Operating free-air temperature range | -55 | | 125 | 0 | | 70 | °C |

electrical characteristics over recommended operating free-air temperature range (unless otherwise noted)

| PARAMETER | TEST CONDITIONS [†] | MJ | | | J OR N | | | UNIT |
|------------------------------|--|-----|------------------|-------|--------|------------------|-------|------|
| | | MIN | TYP [‡] | MAX | MIN | TYP [‡] | MAX | |
| V _{IK} | V _{CC} = MIN, I _I = -18 mA | | | -1.2 | | | -1.2 | V |
| V _{OH} | V _{CC} = MIN, I _{OH} = MAX | 2.4 | 3.1 | | 2.4 | 3.1 | | V |
| V _{OL} | V _{CC} = MIN, I _{OL} = 16 mA | | | 0.5 | | | 0.5 | V |
| I _{OZH} | V _{CC} = MAX, V _O = 2.4 V | | | 50 | | | 50 | μA |
| I _{OZL} | V _{CC} = MAX, V _O = 0.5 V | | | -50 | | | -50 | μA |
| I _I | V _{CC} = MAX, V _I = 5.5 V | | | 1 | | | 1 | mA |
| I _{IH} | V _{CC} = MAX, V _I = 2.7 V | | | 25 | | | 25 | μA |
| I _{IL} | V _{CC} = MAX, V _I = 0.5 V | | | -0.25 | | | -0.25 | mA |
| I _{OS} [§] | V _{CC} = MAX | -30 | | -100 | -30 | | -100 | mA |
| I _{CC} | V _{CC} = MAX | | 100 | 135 | | 100 | 135 | mA |

switching characteristics over recommended ranges of T_A and V_{CC} (unless otherwise noted)

| PARAMETER | TEST CONDITIONS | MJ | | | J OR N | | | UNIT |
|-------------------|--|-----|------------------|-----|--------|------------------|-----|------|
| | | MIN | TYP [‡] | MAX | MIN | TYP [‡] | MAX | |
| t _{a(A)} | Access time from address | | 35 | 70 | | 35 | 60 | ns |
| t _{a(S)} | Access time from chip select (enable time) | | 20 | 45 | | 20 | 45 | ns |
| t _{dis} | Disable time | | 15 | 45 | | 15 | 40 | ns |

[†]For conditions shown as MIN or MAX, use appropriate value specified under recommended operating conditions.

[‡]All typical values are at V_{CC} = 5 V, T_A = 25 °C.

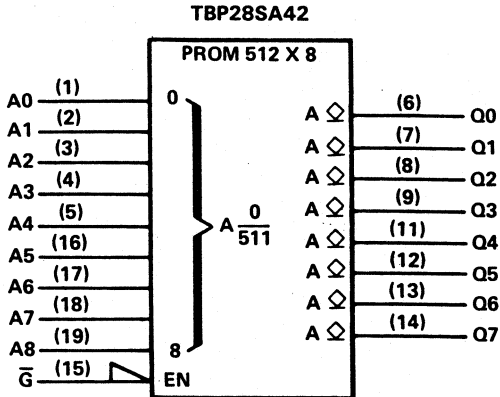
[§]Not more than one output should be shorted at a time, and duration of the short circuit should not exceed one second.

NOTE 3: Load circuits and voltage waveforms are shown in Section 1.

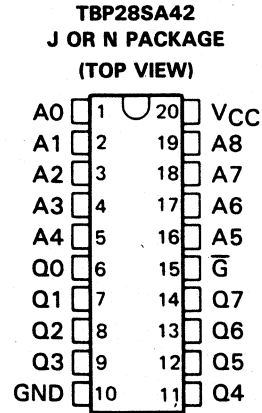
4 PROMS

TBP28SA42
4096 BITS (512 WORDS BY 8 BITS)
STANDARD PROGRAMMABLE READ-ONLY MEMORIES WITH OPEN-COLLECTOR OUTPUTS

logic symbol



pin assignment



recommended operating conditions

| PARAMETER | MJ | | | J OR N | | | UNIT |
|---|-----|-----|-----|--------|-----|------|------|
| | MIN | NOM | MAX | MIN | NOM | MAX | |
| V _{CC} Supply voltage | 4.5 | 5 | 5.5 | 4.75 | 5 | 5.25 | V |
| V _{IH} High-level input voltage | 2 | | | 2 | | | V |
| V _{IL} Low-level input voltage | | | 0.8 | | | 0.8 | V |
| V _{OH} High-level output voltage | | | 5.5 | | | 5.5 | V |
| I _{OL} Low-level output current | | | 16 | | | 16 | mA |
| T _A Operating free-air temperature range | -55 | | 125 | 0 | | 70 | °C |

4

PROMS

electrical characteristics over recommended operating free-air temperature range (unless otherwise noted)

| PARAMETER | TEST CONDITIONS† | MJ | | | J OR N | | | UNIT |
|-----------------|--|-----|------|-------|--------|------|-------|------|
| | | MIN | TYP‡ | MAX | MIN | TYP‡ | MAX | |
| V _{IK} | V _{CC} = MIN, I _I = -18 mA | | | -1.2 | | | -1.2 | V |
| I _{OH} | V _{CC} = MIN, V _{OH} = 2.4 V | | | 0.05 | | | 0.05 | mA |
| | | | | 0.1 | | | 0.1 | |
| V _{OL} | V _{CC} = MIN, I _{OL} = 16 mA | | | 0.5 | | | 0.5 | V |
| I _I | V _{CC} = MAX, V _I = 5.5 V | | | 1 | | | 1 | mA |
| I _{IH} | V _{CC} = MAX, V _I = 2.7 V | | | 25 | | | 25 | μA |
| I _{IL} | V _{CC} = MAX, V _I = 0.5 V | | | -0.25 | | | -0.25 | mA |
| I _{CC} | V _{CC} = MAX | 105 | | 135 | 105 | | 135 | mA |

switching characteristics over recommended ranges of T_A and V_{CC} (unless otherwise noted)

| PARAMETER | TEST CONDITIONS | MJ | | | J OR N | | | UNIT |
|---|---------------------------------------|-----|------|-----|--------|------|-----|------|
| | | MIN | TYP‡ | MAX | MIN | TYP‡ | MAX | |
| t _{a(A)} Access time from address | C _L = 30 pF | | 35 | 75 | | 35 | 65 | ns |
| t _{a(S)} Access time from chip select (enable time) | R _{L1} = 300 Ω | | 20 | 45 | | 20 | 35 | ns |
| t _{PLH} Propagation delay time low-to-high-level output from chip select | R _{L2} = 600 Ω See Note 3 | | 15 | 45 | | 15 | 35 | ns |

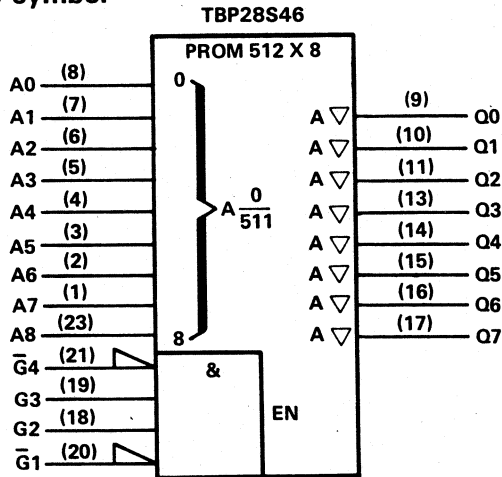
†For conditions shown as MIN or MAX, use appropriate value specified under recommended operating conditions.

‡All typical values are at V_{CC} = 5 V, T_A = 25 °C.

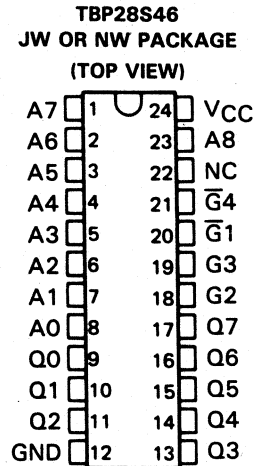
NOTE 3: Load circuits and voltage waveforms are shown in Section 1.

TBP28S46
4096 BITS (512 WORDS BY 8 BITS)
STANDARD PROGRAMMABLE READ-ONLY MEMORIES WITH 3-STATE OUTPUTS

logic symbol



pin assignment



recommended operating conditions

| PARAMETER | MJW | | | JW OR NW | | | UNIT |
|---|-----|-----|-----|----------|-----|------|------|
| | MIN | NOM | MAX | MIN | NOM | MAX | |
| V _{CC} Supply voltage | 4.5 | 5 | 5.5 | 4.75 | 5 | 5.25 | V |
| V _{IH} High-level input voltage | 2 | | | 2 | | | V |
| V _{IL} Low-level input voltage | | | 0.8 | | | 0.8 | V |
| I _{OH} High-level output current | | | -2 | | | -6.5 | mA |
| I _{OL} Low-level output current | | | 16 | | | 16 | mA |
| T _A Operating free-air temperature range | -55 | | 125 | 0 | | 70 | °C |

electrical characteristics over recommended operating free-air temperature range (unless otherwise noted)

| PARAMETER | TEST CONDITIONS [†] | MJW | | | JW OR NW | | | UNIT |
|------------------------------|--|-----|------------------|-------|----------|------------------|-------|------|
| | | MIN | TYP [‡] | MAX | MIN | TYP [‡] | MAX | |
| V _{IK} | V _{CC} = MIN, I _I = -18 mA | | | -1.2 | | | -1.2 | V |
| V _{OH} | V _{CC} = MIN, I _{OH} = MAX | 2.4 | 3.1 | | 2.4 | 3.1 | | V |
| V _{OL} | V _{CC} = MIN, I _{OL} = 16 mA | | | 0.5 | | | 0.5 | V |
| I _{OZH} | V _{CC} = MAX, V _O = 2.4 V | | | 50 | | | 50 | μA |
| I _{OZL} | V _{CC} = MAX, V _O = 0.5 V | | | -50 | | | -50 | μA |
| I _I | V _{CC} = MAX, V _I = 5.5 V | | | 1 | | | 1 | mA |
| I _{IH} | V _{CC} = MAX, V _I = 2.7 V | | | 25 | | | 25 | μA |
| I _{IL} | V _{CC} = MAX, V _I = 0.5 V | | | -0.25 | | | -0.25 | mA |
| I _{OS} [§] | V _{CC} = MAX | -15 | | -100 | -20 | | -100 | mA |
| I _{CC} | V _{CC} = MAX | | 100 | 135 | | 100 | 135 | mA |

switching characteristics over recommended ranges of T_A and V_{CC} (unless otherwise noted)

| PARAMETER | TEST CONDITIONS | MJW | | | JW OR NW | | | UNIT |
|--|-------------------------------------|-----|------------------|-----|----------|------------------|-----|------|
| | | MIN | TYP [‡] | MAX | MIN | TYP [‡] | MAX | |
| t _{a(A)} Access time from address | C _L = 30 pF | | 35 | 70 | | 35 | 60 | ns |
| t _{a(S)} Access time from chip select (enable time) | See Note 3 | | 20 | 45 | | 20 | 35 | ns |
| t _{dis} Disable time | C _L = 5 pF See Note 3 | | 15 | 40 | | 15 | 35 | ns |

[†]For conditions shown as MIN or MAX, use appropriate value specified under recommended operating conditions.

[‡]All typical values are at V_{CC} = 5 V, T_A = 25°C.

[§]Not more than one output should be shorted at a time, and duration of the short circuit should not exceed one second.

NOTE 3: Load circuits and voltage waveforms are shown in Section 1.

4

PROMS

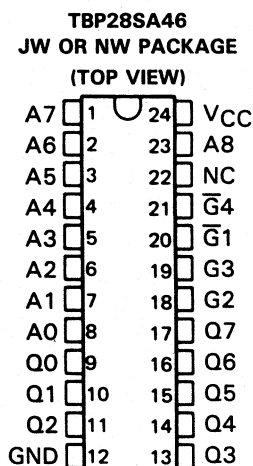
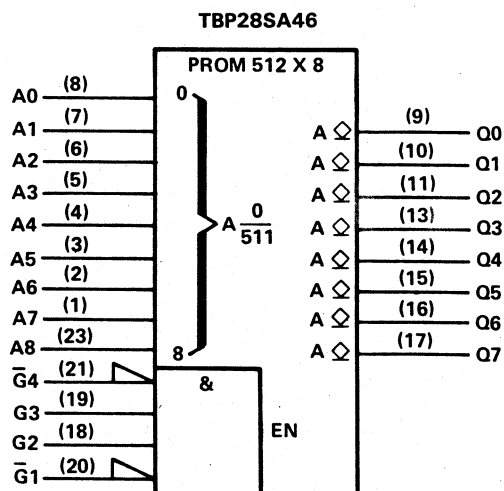
TBP28SA46

4096 BITS (512 WORDS BY 8 BITS)

STANDARD PROGRAMMABLE READ-ONLY MEMORIES WITH OPEN-COLLECTOR OUTPUTS

logic symbol

pin assignment



recommended operating conditions

| PARAMETER | MJW | | | JW OR NW | | | UNIT |
|---|-----|-----|-----|----------|-----|------|------|
| | MIN | NOM | MAX | MIN | NOM | MAX | |
| V _{CC} Supply voltage | 4.5 | 5 | 5.5 | 4.75 | 5 | 5.25 | V |
| V _{IH} High-level input voltage | 2 | | | 2 | | | V |
| V _{IL} Low-level input voltage | | | 0.8 | | | 0.8 | V |
| V _{OH} High-level output voltage | | | 5.5 | | | 5.5 | V |
| I _{OL} Low-level output current | | | 16 | | | 16 | mA |
| T _A Operating free-air temperature range | -55 | | 125 | 0 | | 70 | °C |

4

PROMS

electrical characteristics over recommended operating free-air temperature range (unless otherwise noted)

| PARAMETER | TEST CONDITIONS [†] | MJW | | | JW OR NW | | | UNIT |
|-----------------|--|-----|------------------|-------|----------|------------------|-------|------|
| | | MIN | TYP [‡] | MAX | MIN | TYP [‡] | MAX | |
| V _{IK} | V _{CC} = MIN, I _I = -18 mA | | | -1.2 | | | -1.2 | V |
| I _{OH} | V _{CC} = MIN, V _{OH} = 2.4 V | | | 0.05 | | | 0.05 | mA |
| | | | | 0.1 | | | 0.1 | |
| V _{OL} | V _{CC} = MIN, I _{OL} = 16 mA | | | 0.5 | | | 0.5 | V |
| I _I | V _{CC} = MAX, V _I = 5.5 V | | | 1 | | | 1 | mA |
| I _{IH} | V _{CC} = MAX, V _I = 2.7 V | | | 25 | | | 25 | μA |
| I _{IL} | V _{CC} = MAX, V _I = 0.5 V | | | -0.25 | | | -0.25 | mA |
| I _{CC} | V _{CC} = MAX | 100 | 135 | | 100 | 135 | | mA |

switching characteristics over recommended ranges of T_A and V_{CC} (unless otherwise noted)

| PARAMETER | TEST CONDITIONS | MJW | | | JW OR NW | | | UNIT |
|---|---------------------------------------|-----|------------------|-----|----------|------------------|-----|------|
| | | MIN | TYP [‡] | MAX | MIN | TYP [‡] | MAX | |
| t _{a(A)} Access time from address | C _L = 30 pF | | 35 | 75 | | 35 | 65 | ns |
| t _{a(S)} Access time from chip select (enable time) | R _{L1} = 300 Ω | | 20 | 45 | | 20 | 35 | ns |
| t _{PLH} Propagation delay time low-to-high-level output from chip select | R _{L2} = 600 Ω See Note 3 | | 15 | 40 | | 15 | 35 | ns |

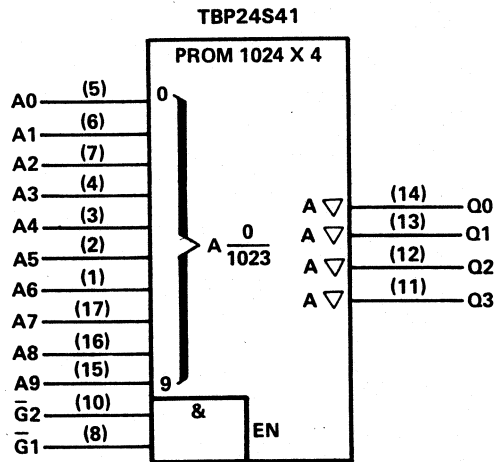
[†]For conditions shown as MIN or MAX, use appropriate value specified under recommended operating conditions.

[‡]All typical values are at V_{CC} = 5 V, T_A = 25°C.

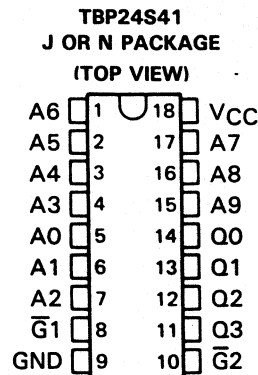
NOTE 3: Load circuits and voltage waveforms are shown in Section 1.

TBP24S41
4096 BITS (1024 WORDS BY 4 BITS)
STANDARD PROGRAMMABLE READ-ONLY MEMORIES WITH 3-STATE OUTPUTS

logic symbol



pin assignment



recommended operating conditions

| PARAMETER | MJ | | | J OR N | | | UNIT |
|---|-----|-----|-----|--------|-----|------|------|
| | MIN | NOM | MAX | MIN | NOM | MAX | |
| V _{CC} Supply voltage | 4.5 | 5 | 5.5 | 4.75 | 5 | 5.25 | V |
| V _{IH} High-level input voltage | 2 | | | 2 | | | V |
| V _{IL} Low-level input voltage | | | 0.8 | | | 0.8 | V |
| I _{OH} High-level output current | | | -2 | | | -3.2 | mA |
| I _{OL} Low-level output current | | | 16 | | | 16 | mA |
| T _A Operating free-air temperature range | -55 | | 125 | 0 | | 70 | °C |

electrical characteristics over recommended operating free-air temperature range (unless otherwise noted)

| PARAMETER | TEST CONDITIONS [†] | MJ | | | J OR N | | | UNIT |
|------------------------------|--|-----|------------------|-------|--------|------------------|-------|------|
| | | MIN | TYP [‡] | MAX | MIN | TYP [‡] | MAX | |
| V _{IK} | V _{CC} = MIN, I _I = -18 mA | | | -1.2 | | | -1.2 | V |
| V _{OH} | V _{CC} = MIN, I _{OH} = MAX | 2.4 | 3.1 | | 2.4 | 3.1 | | V |
| V _{OL} | V _{CC} = MIN, I _{OL} = 16 mA | | | 0.5 | | | 0.5 | V |
| I _{OZH} | V _{CC} = MAX, V _O = 2.4 V | | | 50 | | | 50 | μA |
| I _{OZL} | V _{CC} = MAX, V _O = 0.5 V | | | -50 | | | -50 | μA |
| I _I | V _{CC} = MAX, V _I = 5.5 V | | | 1 | | | 1 | mA |
| I _{IH} | V _{CC} = MAX, V _I = 2.7 V | | | 25 | | | 25 | μA |
| I _{IL} | V _{CC} = MAX, V _I = 0.5 V | | | -0.25 | | | -0.25 | mA |
| I _{OS} [§] | V _{CC} = MAX | -15 | | -100 | -20 | | -100 | mA |
| I _{CC} | V _{CC} = MAX | | 95 | 140 | | 95 | 140 | mA |

switching characteristics over recommended ranges of T_A and V_{CC} (unless otherwise noted)

| PARAMETER | TEST CONDITIONS | MJ | | | J OR N | | | UNIT |
|--|-------------------------------------|-----|------------------|-----|--------|------------------|-----|------|
| | | MIN | TYP [‡] | MAX | MIN | TYP [‡] | MAX | |
| t _{a(A)} Access time from address | C _L = 30 pF | | 40 | 75 | | 40 | 60 | ns |
| t _{a(S)} Access time from chip select (enable time) | See Note 3 | | 20 | 40 | | 20 | 30 | ns |
| t _{dis} Disable time | C _L = 5 pF See Note 3 | | 20 | 40 | | 20 | 30 | ns |

[†]For conditions shown as MIN or MAX, use appropriate value specified under recommended operating conditions.

[‡]All typical values are at V_{CC} = 5 V, T_A = 25°C.

[§]Not more than one output should be shorted at a time, and duration of the short circuit should not exceed one second.

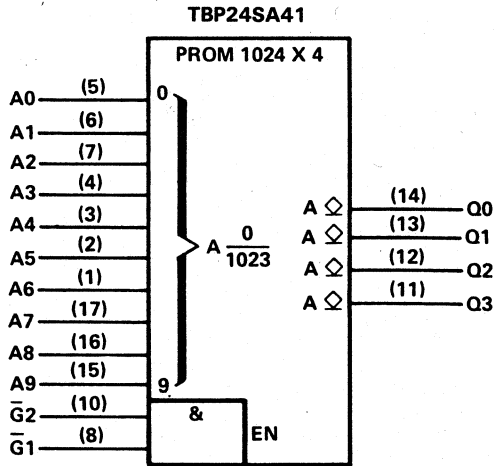
NOTE 3: Load circuits and voltage waveforms are shown in Section 1.

4

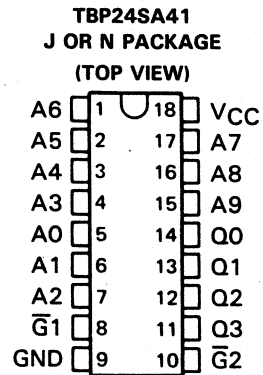
PROMS

TBP24SA41
4096 BITS (1024 WORDS BY 4 BITS)
STANDARD PROGRAMMABLE READ-ONLY MEMORIES WITH OPEN-COLLECTOR OUTPUTS

logic symbol



pin assignment



recommended operating conditions

| PARAMETER | | MJ | | | J OR N | | | UNIT |
|-----------------|--------------------------------------|-----|-----|-----|--------|-----|------|------|
| | | MIN | NOM | MAX | MIN | NOM | MAX | |
| V _{CC} | Supply voltage | 4.5 | 5 | 5.5 | 4.75 | 5 | 5.25 | V |
| V _{IH} | High-level input voltage | 2 | | | 2 | | | V |
| V _{IL} | Low-level input voltage | | | 0.8 | | | 0.8 | V |
| V _{OH} | High-level output voltage | | | 5.5 | | | 5.5 | V |
| I _{OL} | Low-level output current | | | 16 | | | 16 | mA |
| T _A | Operating free-air temperature range | -55 | | 125 | 0 | | 70 | °C |

electrical characteristics over recommended operating free-air temperature range (unless otherwise noted)

| PARAMETER | TEST CONDITIONS† | MJ | | | J OR N | | | UNIT | |
|-----------------|--|-----|------|-------|--------|------|-------|------|----|
| | | MIN | TYP‡ | MAX | MIN | TYP‡ | MAX | | |
| V _{IK} | V _{CC} = MIN, I _I = -18 mA | | | -1.2 | | | -1.2 | V | |
| I _{OH} | V _{CC} = MIN, V _{OH} = 2.4 V | | | 0.05 | | | 0.05 | mA | |
| | | | | 0.1 | | | 0.1 | | |
| V _{OL} | V _{CC} = MIN, I _{OL} = 16 mA | | | 0.5 | | | 0.5 | V | |
| I _I | V _{CC} = MAX, V _I = 5.5 V | | | 1 | | | 1 | mA | |
| I _{IH} | V _{CC} = MAX, V _I = 2.7 V | | | 25 | | | 25 | µA | |
| I _{IL} | V _{CC} = MAX, V _I = 0.5 V | | | -0.25 | | | -0.25 | mA | |
| I _{CC} | V _{CC} = MAX | | | 95 | 140 | | 95 | 140 | mA |

switching characteristics over recommended ranges of T_A and V_{CC} (unless otherwise noted)

| PARAMETER | TEST CONDITIONS | MJ | | J OR N | | UNIT | |
|-------------------|--|-----|------|--------|-----|------|------|
| | | MIN | TYP‡ | MAX | MIN | | TYP‡ |
| t _{a(A)} | Access time from address | | 40 | 75 | 40 | 60 | ns |
| t _{a(S)} | Access time from chip select (enable time) | | 20 | 40 | 20 | 30 | ns |
| t _{PLH} | Propagation delay time low-to-high-level output from chip select | | 20 | 40 | 20 | 30 | ns |

†For conditions shown as MIN or MAX, use appropriate value specified under recommended operating conditions.

‡All typical values are at V_{CC} = 5 V, T_A = 25 °C.

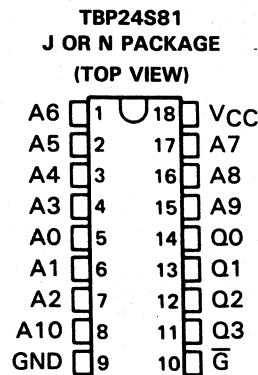
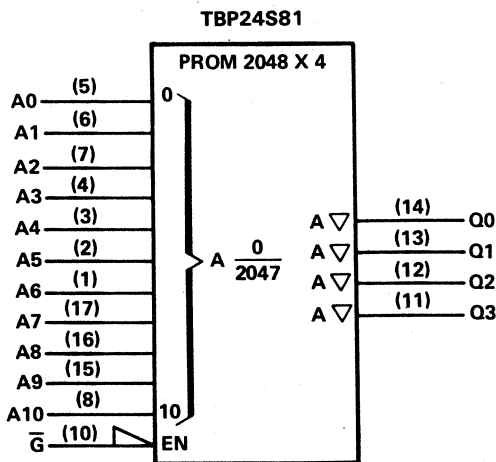
NOTE 3: Load circuits and voltage waveforms are shown in Section 1.

4 PROMS

TBP24S81
8192 BITS (2048 WORDS BY 4 BITS)
STANDARD PROGRAMMABLE READ-ONLY MEMORIES WITH 3-STATE OUTPUTS

logic symbol

pin assignment



recommended operating conditions

| PARAMETER | MJ | | | J OR N | | | UNIT |
|---|-----|-----|-----|--------|-----|------|------|
| | MIN | NOM | MAX | MIN | NOM | MAX | |
| V _{CC} Supply voltage | 4.5 | 5 | 5.5 | 4.75 | 5 | 5.25 | V |
| V _{IH} High-level input voltage | 2 | | | 2 | | | V |
| V _{IL} Low-level input voltage | | | 0.8 | | | 0.8 | V |
| I _{OH} High-level output current | | | -2 | | | -3.2 | mA |
| I _{OL} Low-level output current | | | 16 | | | 16 | mA |
| T _A Operating free-air temperature range | -55 | | 125 | 0 | | 70 | °C |

electrical characteristics over recommended operating free-air temperature range (unless otherwise noted)

| PARAMETER | TEST CONDITIONS [†] | MJ | | | J OR N | | | UNIT |
|------------------------------|--|-----|------------------|-------|--------|------------------|-------|------|
| | | MIN | TYP [‡] | MAX | MIN | TYP [‡] | MAX | |
| V _{IK} | V _{CC} = MIN, I _I = -18 mA | | | -1.2 | | | -1.2 | V |
| V _{OH} | V _{CC} = MIN, I _{OH} = MAX | 2.4 | 3.1 | | 2.4 | 3.1 | | V |
| V _{OL} | V _{CC} = MIN, I _{OL} = 16 mA | | | 0.5 | | | 0.5 | V |
| I _{OZH} | V _{CC} = MAX, V _O = 2.4 V | | | 50 | | | 50 | μA |
| I _{OZL} | V _{CC} = MAX, V _O = 0.5 V | | | -50 | | | -50 | μA |
| I _I | V _{CC} = MAX, V _I = 5.5 V | | | 1 | | | 1 | mA |
| I _{IH} | V _{CC} = MAX, V _I = 2.7 V | | | 25 | | | 25 | μA |
| I _{IL} | V _{CC} = MAX, V _I = 0.5 V | | | -0.25 | | | -0.25 | mA |
| I _{OS} [§] | V _{CC} = MAX | -15 | | -100 | -20 | | -100 | mA |
| I _{CC} | V _{CC} = MAX | | 125 | 175 | | 125 | 175 | mA |

switching characteristics over recommended ranges of T_A and V_{CC} (unless otherwise noted)

| PARAMETER | TEST CONDITIONS | MJ | | | J OR N | | | UNIT |
|--|-------------------------------------|-----|------------------|-----|--------|------------------|-----|------|
| | | MIN | TYP [‡] | MAX | MIN | TYP [‡] | MAX | |
| t _{a(A)} Access time from address | C _L = 30 pF | | 45 | 85 | | 45 | 70 | ns |
| t _{a(S)} Access time from chip select (enable time) | See Note 3 | | 20 | 50 | | 20 | 40 | ns |
| t _{dis} Disable time | C _L = 5 pF See Note 3 | | 20 | 50 | | 20 | 40 | ns |

[†]For conditions shown as MIN or MAX, use appropriate value specified under recommended operating conditions.

[‡]All typical values are at V_{CC} = 5 V, T_A = 25°C.

[§]Not more than one output should be shorted at a time, and duration of the short circuit should not exceed one second.

NOTE 3: Load circuits and voltage waveforms are shown in Section 1.

4

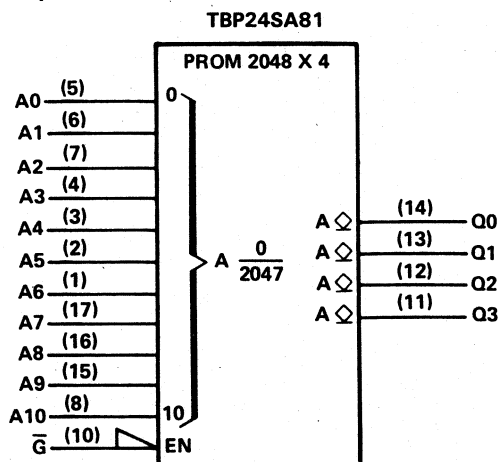
PROMS

TBP24SA81

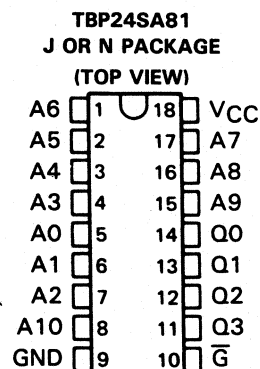
8192 BITS (2048 WORDS BY 4 BITS)

STANDARD PROGRAMMABLE READ-ONLY MEMORIES WITH OPEN-COLLECTOR OUTPUTS

logic symbol



pin assignment



recommended operating conditions

| PARAMETER | MJ | | | J OR N | | | UNIT |
|---|-----|-----|-----|--------|-----|------|------|
| | MIN | NOM | MAX | MIN | NOM | MAX | |
| V _{CC} Supply voltage | 4.5 | 5 | 5.5 | 4.75 | 5 | 5.25 | V |
| V _{IH} High-level input voltage | 2 | | | 2 | | | V |
| V _{IL} Low-level input voltage | | | 0.8 | | | 0.8 | V |
| V _{OH} High-level output voltage | | | 5.5 | | | 5.5 | V |
| I _{OL} Low-level output current | | | 16 | | | 16 | mA |
| T _A Operating free-air temperature range | -55 | | 125 | 0 | | 70 | °C |

electrical characteristics over recommended operating free-air temperature range (unless otherwise noted)

| PARAMETER | TEST CONDITIONS† | MJ | | | J OR N | | | UNIT |
|-----------------|--|-----|------|-------|--------|------|-------|------|
| | | MIN | TYP‡ | MAX | MIN | TYP‡ | MAX | |
| V _{IK} | V _{CC} = MIN, I _I = -18 mA | | | -1.2 | | | -1.2 | V |
| I _{OH} | V _{CC} = MIN, V _{OH} = 2.4 V | | | 0.05 | | | 0.05 | VmA |
| | | | | 0.1 | | | 0.1 | |
| V _{OL} | V _{CC} = MIN, I _{OL} = 16 mA | | | 0.5 | | | 0.5 | V |
| I _I | V _{CC} = MAX, V _I = 5.5 V | | | 1 | | | 1 | mA |
| I _{IH} | V _{CC} = MAX, V _I = 2.7 V | | | 25 | | | 25 | μA |
| I _{IL} | V _{CC} = MAX, V _I = 0.5 V | | | -0.25 | | | -0.25 | mA |
| I _{CC} | V _{CC} = MAX | 125 | 175 | | 125 | 175 | | mA |

switching characteristics over recommended ranges of T_A and V_{CC} (unless otherwise noted)

| PARAMETER | TEST CONDITIONS | MJ | | | J OR N | | | UNIT |
|---|---------------------------------------|-----|------|-----|--------|------|-----|------|
| | | MIN | TYP‡ | MAX | MIN | TYP‡ | MAX | |
| t _{a(A)} Access time from address | C _L = 30 pF | 45 | 95 | | 45 | 70 | ns | |
| t _{a(S)} Access time from chip select (enable time) | R _{L1} = 300 Ω | 20 | 50 | | 20 | 40 | ns | |
| t _{PLH} Propagation delay time low-to-high-level output from chip select | R _{L2} = 600 Ω See Note 3 | 20 | 50 | | 20 | 40 | ns | |

†For conditions shown as MIN or MAX, use appropriate value specified under recommended operating conditions.

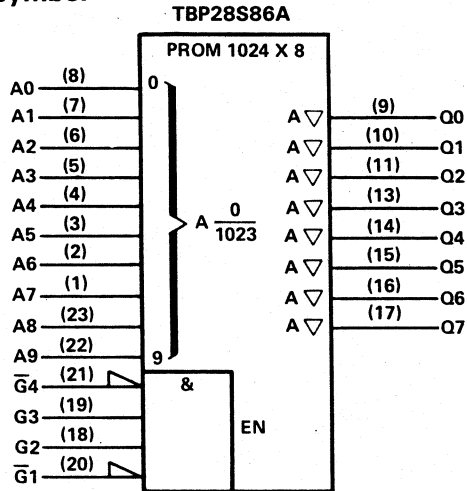
‡All typical values are at V_{CC} = 5 V, T_A = 25°C.

NOTE 3: Load circuits and voltage waveforms are shown in Section 1.

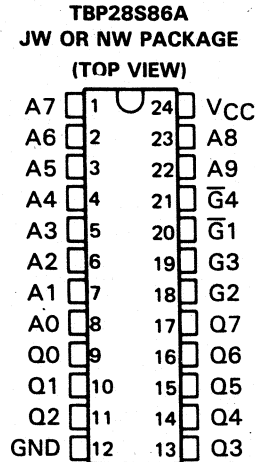
4 PROMS

TBP28S86A
8192 BITS (1024 WORDS BY 8 BITS)
STANDARD PROGRAMMABLE READ-ONLY MEMORIES WITH 3-STATE OUTPUTS

logic symbol



pin assignment



recommended operating conditions

| PARAMETER | MJW | | | JW OR NW | | | UNIT |
|---|-----|-----|-----|----------|-----|------|------|
| | MIN | NOM | MAX | MIN | NOM | MAX | |
| V _{CC} Supply voltage | 4.5 | 5 | 5.5 | 4.75 | 5 | 5.25 | V |
| V _{IH} High-level input voltage | 2 | | | 2 | | | V |
| V _{IL} Low-level input voltage | | | 0.8 | | | 0.8 | V |
| I _{OH} High-level output current | | | -2 | | | -3.2 | mA |
| I _{OL} Low-level output current | | | 12 | | | 12 | mA |
| T _A Operating free-air temperature range | -55 | | 125 | 0 | | 70 | °C |

electrical characteristics over recommended operating free-air temperature range (unless otherwise noted)

| PARAMETER | TEST CONDITIONS [†] | MJW | | | JW OR NW | | | UNIT |
|------------------------------|--|-----|------------------|-------|----------|------------------|-------|------|
| | | MIN | TYP [‡] | MAX | MIN | TYP [‡] | MAX | |
| V _{IK} | V _{CC} = MIN, I _I = -18 mA | | | -1.2 | | | -1.2 | V |
| V _{OH} | V _{CC} = MIN, I _{OH} = MAX | 2.4 | 3.1 | | 2.4 | 3.1 | | V |
| V _{OL} | V _{CC} = MIN, I _{OL} = 12 mA | | | 0.5 | | | 0.5 | V |
| I _{OZH} | V _{CC} = MAX, V _O = 2.4 V | | | 50 | | | 50 | μA |
| I _{OZL} | V _{CC} = MAX, V _O = 0.5 V | | | -50 | | | -50 | μA |
| I _I | V _{CC} = MAX, V _I = 5.5 V | | | 1 | | | 1 | mA |
| I _{IH} | V _{CC} = MAX, V _I = 2.7 V | | | 25 | | | 25 | μA |
| I _{IL} | V _{CC} = MAX, V _I = 0.5 V | | | -0.25 | | | -0.25 | mA |
| I _{OS} [§] | V _{CC} = MAX | -15 | | -100 | -20 | | -100 | mA |
| I _{CC} | V _{CC} = MAX | | 110 | 170 | | 110 | 165 | mA |

switching characteristics over recommended ranges of T_A and V_{CC} (unless otherwise noted)

| PARAMETER | TEST CONDITIONS | MJW | | | JW OR NW | | | UNIT |
|--|-------------------------------------|-----|------------------|-----|----------|------------------|-----|------|
| | | MIN | TYP [‡] | MAX | MIN | TYP [‡] | MAX | |
| t _{aA}) Access time from address | C _L = 30 pF | | 35 | 80 | | 35 | 65 | ns |
| t _{a(S)}) Access time from chip select (enable time) | See Note 3 | | 20 | 50 | | 20 | 40 | ns |
| t _{dis}) Disable time | C _L = 5 pF See Note 3 | | 15 | 40 | | 15 | 35 | ns |

[†]For conditions shown as MIN or MAX, use appropriate value specified under recommended operating conditions.

[‡]All typical values are at V_{CC} = 5 V, T_A = 25°C.

[§]Not more than one output should be shorted at a time, and duration of the short circuit should not exceed one second.

NOTE 3: Load circuits and voltage waveforms are shown in Section 1.

4

PROMS

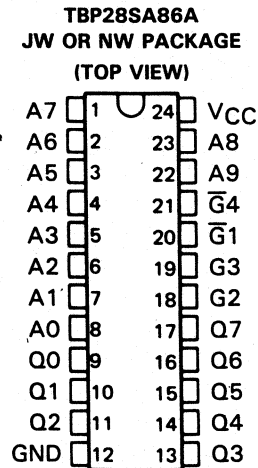
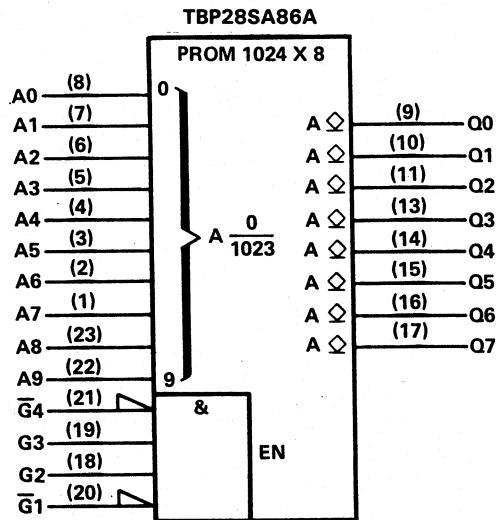
TBP28SA86A

8192 BITS (1024 WORDS BY 8 BITS)

STANDARD PROGRAMMABLE READ-ONLY MEMORIES WITH OPEN-COLLECTOR OUTPUTS

logic symbol

pin assignment



recommended operating conditions

| PARAMETER | MJW | | | JW OR NW | | | UNIT |
|---|-----|-----|-----|----------|-----|------|------|
| | MIN | NOM | MAX | MIN | NOM | MAX | |
| V _{CC} Supply voltage | 4.5 | 5 | 5.5 | 4.75 | 5 | 5.25 | V |
| V _{IH} High-level input voltage | 2 | | | 2 | | | V |
| V _{IL} Low-level input voltage | | | 0.8 | | | 0.8 | V |
| V _{OH} High-level output voltage | | | 5.5 | | | 5.5 | V |
| I _{OL} Low-level output current | | | 12 | | | 12 | mA |
| T _A Operating free-air temperature range | -55 | | 125 | 0 | | 70 | °C |

electrical characteristics over recommended operating free-air temperature range (unless otherwise noted)

| PARAMETER | TEST CONDITIONS [†] | MJW | | JW OR NW | | UNIT | |
|-----------------|--|-----|------------------|----------|-----|-------|------------------|
| | | MIN | TYP [‡] | MAX | MIN | | TYP [‡] |
| V _{IK} | V _{CC} = MIN, I _I = -18 mA | | | -1.2 | | -1.2 | V |
| I _{OH} | V _{CC} = MIN, V _{OH} = 2.4 V | | | 0.05 | | 0.05 | mA |
| | | | | 0.1 | | 0.1 | mA |
| V _{OL} | V _{CC} = MIN, I _{OL} = 12 mA | | | 0.5 | | 0.5 | V |
| I _I | V _{CC} = MAX, V _I = 5.5 V | | | 1 | | 1 | mA |
| I _{IH} | V _{CC} = MAX, V _I = 2.7 V | | | 25 | | 25 | μA |
| I _{IL} | V _{CC} = MAX, V _I = 0.5 V | | | -0.25 | | -0.25 | mA |
| I _{CC} | V _{CC} = MAX | 125 | 175 | | 125 | 175 | mA |

switching characteristics over recommended ranges of T_A and V_{CC} (unless otherwise noted)

| PARAMETER | TEST CONDITIONS | MJW | | JW OR NW | | UNIT | |
|---|---------------------------------------|-----|------------------|----------|-----|------|------------------|
| | | MIN | TYP [‡] | MAX | MIN | | TYP [‡] |
| t _{a(A)} Access time from address | C _L = 30 pF | 35 | 80 | | 35 | 70 | ns |
| t _{a(S)} Access time from chip select (enable time) | R _{L1} = 300 Ω | 20 | 50 | | 20 | 40 | ns |
| t _{PLH} Propagation delay time low-to-high-level output from chip select | R _{L2} = 600 Ω See Note 3 | 15 | 40 | | 15 | 35 | ns |

[†]For conditions shown as MIN or MAX, use appropriate value specified under recommended operating conditions.

[‡]All typical values are at V_{CC} = 5 V, T_A = 25°C.

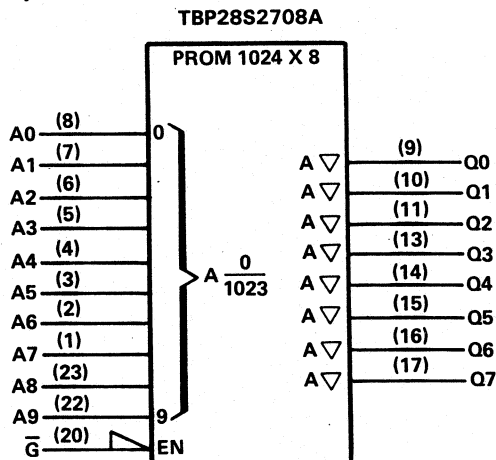
NOTE 3: Load circuits and voltage waveforms are shown in Section 1.

4

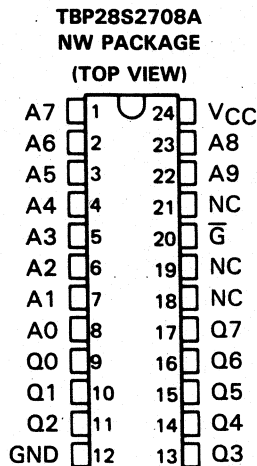
PROMS

TBP28S2708A
8192 BITS (1024 WORDS BY 8 BITS)
STANDARD PROGRAMMABLE READ-ONLY MEMORIES WITH 3-STATE OUTPUTS

logic symbol



pin assignment



recommended operating conditions

| PARAMETER | NW | | | UNIT |
|---|------|-----|------|---------|
| | MIN | NOM | MAX | |
| V _{CC} Supply voltage | 4.75 | 5 | 5.25 | V |
| V _{IH} High-level input voltage | 2 | | | V |
| V _{IL} Low-level input voltage | | | | 0.8 V |
| I _{OH} High-level output current | | | | -3.2 mA |
| I _{OL} Low-level output current | | | | 12 mA |
| T _A Operating free-air temperature range | 0 | | | 70 °C |

electrical characteristics over recommended operating free-air temperature range (unless otherwise noted)

| PARAMETER | TEST CONDITIONS | NW | | | UNIT |
|-------------------|---|-------|------|-----|------|
| | | MIN | TYP† | MAX | |
| V _{IK} | V _{CC} = 4.75, I _I = -18 mA | -1.2 | | | V |
| V _{OH} | V _{CC} = 4.75, I _{OH} = -3.2 mA | 2.4 | 3.1 | | V |
| V _{OL} | V _{CC} = 4.75, I _{OL} = 12 mA | 0.5 | | | V |
| I _{OZH} | V _{CC} = 5.25, V _O = 2.4 V | 50 | | | μA |
| I _{OZL} | V _{CC} = 5.25, V _O = 0.5 V | -50 | | | μA |
| I _I | V _{CC} = 5.25, V _I = 5.5 V | 1 | | | mA |
| I _{IH} | V _{CC} = 5.25, V _I = 2.7 V | 25 | | | μA |
| I _{IL} | V _{CC} = 5.25, V _I = 0.5 V | -0.25 | | | mA |
| I _{OS} ‡ | V _{CC} = 5.25 | -20 | -100 | | mA |
| I _{CC} | V _{CC} = 5.25 | 110 | | 165 | mA |

switching characteristics over recommended ranges of T_A and V_{CC} (unless otherwise noted)

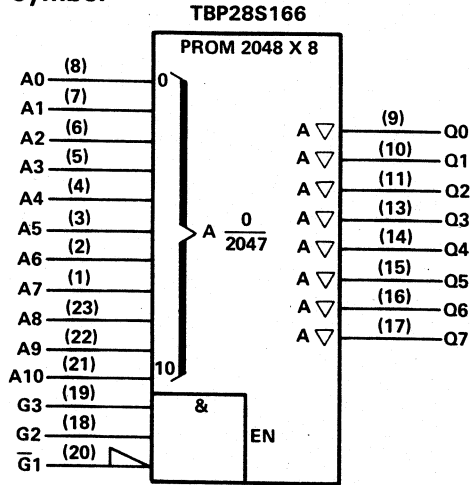
| PARAMETER | TEST CONDITIONS | NW | | | UNIT |
|--|-------------------------------------|-----|------|-----|------|
| | | MIN | TYP† | MAX | |
| t _{a(A)} Access time from address | C _L = 30 pF | 45 | | 70 | ns |
| t _{a(S)} Access time from chip select (enable time) | See Note 3 | 20 | | 40 | ns |
| t _{dis} Disable time | C _L = 5 pF See Note 3 | 20 | | 40 | ns |

†All typical values are at V_{CC} = 5 V, T_A = 25 °C.
 ‡Not more than one output should be shorted at a time, and duration of the short circuit should not exceed one second.
 NOTE 3: Load circuits and voltage waveforms are shown in Section 1.

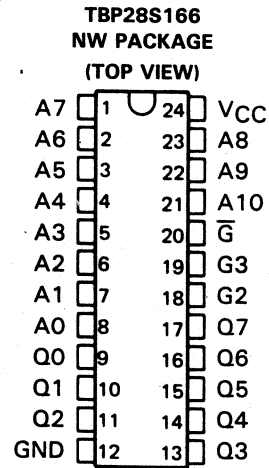
4 PROMS

TBP28S166
16,384 BITS (2084 WORDS BY 8 BITS)
STANDARD PROGRAMMABLE READ-ONLY MEMORIES WITH 3-STATE OUTPUTS

logic symbol



pin assignment



recommended operating conditions

| PARAMETER | NW | | | UNIT |
|---|------|-----|------|------|
| | MIN | NOM | MAX | |
| V _{CC} Supply voltage | 4.75 | 5 | 5.25 | V |
| V _{IH} High-level input voltage | 2 | | | V |
| V _{IL} Low-level input voltage | | | 0.8 | V |
| I _{OH} High-level output current | | | -3.2 | mA |
| I _{OL} Low-level output current | | | 16 | mA |
| T _A Operating free-air temperature range | 0 | | 70 | °C |

electrical characteristics over recommended operating free-air temperature range (unless otherwise noted)

| PARAMETER | TEST CONDITIONS | NW | | | UNIT |
|-------------------|---|-----|------|-------|------|
| | | MIN | TYP† | MAX | |
| V _{IK} | V _{CC} = 4.75, I _I = -18 mA | | | -1.2 | V |
| V _{OH} | V _{CC} = 4.75, I _{OH} = -3.2 mA | 2.4 | 3.1 | | V |
| V _{OL} | V _{CC} = 4.75, I _{OL} = 16 mA | | | 0.5 | V |
| I _{OZH} | V _{CC} = 5.25, V _O = 2.4 V | | | 50 | μA |
| I _{OZL} | V _{CC} = 5.25, V _O = 0.5 V | | | -50 | μA |
| I _I | V _{CC} = 5.25, V _I = 5.5 V | | | 1 | mA |
| I _{IH} | V _{CC} = 5.25, V _I = 2.7 V | | | 25 | μA |
| I _{IL} | V _{CC} = 5.25, V _I = 0.5 V | | | -0.25 | mA |
| I _{OS} ‡ | V _{CC} = 5.25 | -20 | | -100 | mA |
| I _{CC} | V _{CC} = 5.25 | | 130 | 175 | mA |

switching characteristics over recommended ranges of T_A and V_{CC} (unless otherwise noted)

| PARAMETER | TEST CONDITIONS | NW | | | UNIT |
|--|-------------------------------------|-----|------|-----|------|
| | | MIN | TYP† | MAX | |
| t _{a(A)} Access time from address | C _L = 30 pF | | 35 | 75 | ns |
| t _{a(S)} Access time from chip select (enable time) | See Note 3 | | 15 | 40 | ns |
| t _{dis} Disable time | C _L = 5 pF See Note 3 | | 15 | 40 | ns |

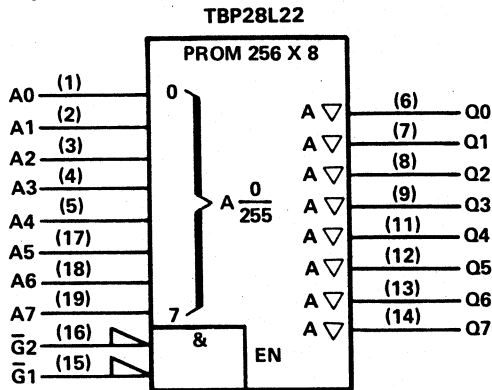
† All typical values are at V_{CC} = 5 V, T_A = 25°C.

‡ Not more than one output should be shorted at a time, and duration of the short circuit should not exceed one second.

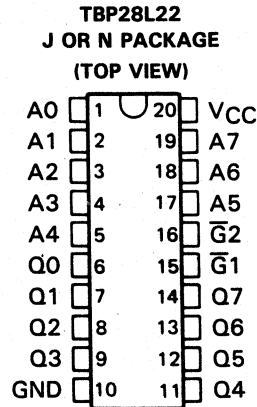
NOTE 3: Load circuits and voltage waveforms are shown in Section 1.

TBP28L22
2048 BITS (256 WORDS BY 8 BITS)
LOW-POWER PROGRAMMABLE READ-ONLY MEMORIES WITH 3-STATE OUTPUTS

logic symbol



pin assignment



recommended operating conditions

| PARAMETER | MJ | | | J OR N | | | UNIT |
|---|-----|-----|-----|--------|-----|------|------|
| | MIN | NOM | MAX | MIN | NOM | MAX | |
| V _{CC} Supply voltage | 4.5 | 5 | 5.5 | 4.75 | 5 | 5.25 | V |
| V _{IH} High-level input voltage | 2 | | | 2 | | | V |
| V _{IL} Low-level input voltage | | | 0.8 | | | 0.8 | V |
| I _{OH} High-level output current | | | -2 | | | -6.5 | mA |
| I _{OL} Low-level output current | | | 16 | | | 16 | mA |
| T _A Operating free-air temperature range | -55 | | 125 | 0 | | 70 | °C |

electrical characteristics over recommended operating free-air temperature range (unless otherwise noted)

| PARAMETER | TEST CONDITIONS [†] | MJ | | | J OR N | | | UNIT |
|------------------------------|--|-----|------------------|-------|--------|------------------|-------|------|
| | | MIN | TYP [‡] | MAX | MIN | TYP [‡] | MAX | |
| V _{IK} | V _{CC} = MIN, I _I = -18 mA | | | -1.2 | | | -1.2 | V |
| V _{OH} | V _{CC} = MIN, I _{OH} = MAX | 2.4 | 3.1 | | 2.4 | 3.1 | | V |
| V _{OL} | V _{CC} = MIN, I _{OL} = 16 mA | | | 0.5 | | | 0.5 | V |
| I _{OZH} | V _{CC} = MAX, V _O = 2.4 V | | | 50 | | | 50 | μA |
| I _{OZL} | V _{CC} = MAX, V _O = 0.5 V | | | -50 | | | -50 | μA |
| I _I | V _{CC} = MAX, V _I = 5.5 V | | | 1 | | | 1 | mA |
| I _{IH} | V _{CC} = MAX, V _I = 2.7 V | | | 25 | | | 25 | μA |
| I _{IL} | V _{CC} = MAX, V _I = 0.5 V | | | -0.25 | | | -0.25 | mA |
| I _{OS} [§] | V _{CC} = MAX | -25 | | -100 | -30 | | -100 | mA |
| I _{CC} | V _{CC} = MAX | | 75 | 100 | | 75 | 100 | mA |

switching characteristics over recommended ranges of T_A and V_{CC} (unless otherwise noted)

| PARAMETER | TEST CONDITIONS | MJ | | | J OR N | | | UNIT |
|--|-------------------------------------|-----|------------------|-----|--------|------------------|-----|------|
| | | MIN | TYP [‡] | MAX | MIN | TYP [‡] | MAX | |
| t _{a(A)} Access time from address | C _L = 30 pF | | 45 | 75 | | 45 | 70 | ns |
| t _{a(S)} Access time from chip select (enable time) | See Note 3 | | 20 | 40 | | 20 | 35 | ns |
| t _{dis} Disable time | C _L = 5 pF See Note 3 | | 15 | 35 | | 15 | 30 | ns |

[†]For conditions shown as MIN or MAX, use appropriate value specified under recommended operating conditions.

[‡]All typical values are at V_{CC} = 5 V, T_A = 25°C.

[§]Not more than one output should be shorted at a time, and duration of the short circuit should not exceed one second.

NOTE 3: Load circuits and voltage waveforms are shown in Section 1.

4

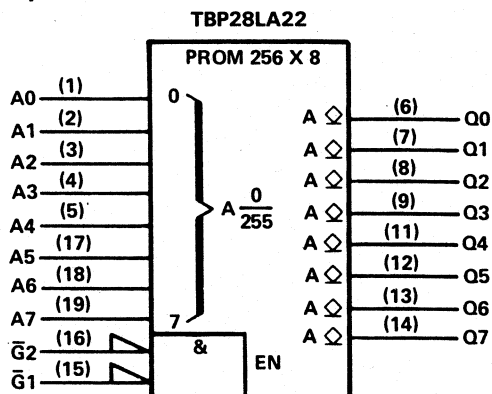
PROMS

TBP28LA22

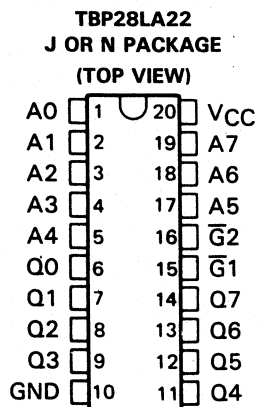
2048 BITS (256 WORDS BY 8 BITS)

LOW-POWER PROGRAMMABLE READ-ONLY MEMORIES WITH OPEN-COLLECTOR OUTPUTS

logic symbol



pin assignment



recommended operating conditions

| PARAMETER | DESCRIPTION | MJ | | | J OR N | | | UNIT |
|-----------------|--------------------------------------|-----|-----|-----|--------|-----|------|------|
| | | MIN | NOM | MAX | MIN | NOM | MAX | |
| V _{CC} | Supply voltage | 4.5 | 5 | 5.5 | 4.75 | 5 | 5.25 | V |
| V _{IH} | High-level input voltage | 2 | | | 2 | | | V |
| V _{IL} | Low-level input voltage | | | 0.8 | | | 0.8 | V |
| V _{OH} | High-level output voltage | | | 5.5 | | | 5.5 | V |
| I _{OL} | Low-level output current | | | 16 | | | 16 | mA |
| T _A | Operating free-air temperature range | -55 | | 125 | 0 | | 70 | °C |

4

PROMS

electrical characteristics over recommended operating free-air temperature range (unless otherwise noted)

| PARAMETER | TEST CONDITIONS† | MJ | | | J OR N | | | UNIT | |
|-----------------|--|-----|------|-------|--------|------|-------|------|----|
| | | MIN | TYP‡ | MAX | MIN | TYP‡ | MAX | | |
| V _{IK} | V _{CC} = MIN, I _I = -18 mA | | | -1.2 | | | -1.2 | V | |
| I _{OH} | V _{CC} = MIN, V _{OH} = 2.4 V | | | 0.05 | | | 0.05 | mA | |
| | V _{OH} = 5.5 V | | | 0.1 | | | 0.1 | mA | |
| V _{OL} | V _{CC} = MIN, I _{OL} = 16 mA | | | 0.5 | | | 0.5 | V | |
| I _I | V _{CC} = MAX, V _I = 5.5 V | | | 1 | | | 1 | mA | |
| I _{IH} | V _{CC} = MAX, V _I = 2.7 V | | | 25 | | | 25 | μA | |
| I _{IL} | V _{CC} = MAX, V _I = 0.5 V | | | -0.25 | | | -0.25 | mA | |
| I _{CC} | V _{CC} = MAX | | | 75 | | | 75 | 100 | mA |

switching characteristics over recommended ranges of T_A and V_{CC} (unless otherwise noted)

| PARAMETER | TEST CONDITIONS | MJ | | | J OR N | | | UNIT | |
|-------------------|--|-----|------|-----|--------|------|-----|------|----|
| | | MIN | TYP‡ | MAX | MIN | TYP‡ | MAX | | |
| t _{aA} | Access time from address | | | 40 | | | 45 | 75 | ns |
| t _{a(S)} | Access time from chip select (enable time) | | | 20 | | | 20 | 35 | ns |
| t _{PLH} | Propagation delay time low-to-high-level output from chip select | | | 15 | | | 15 | 30 | ns |

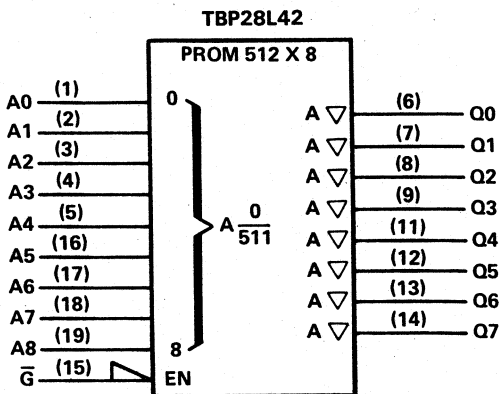
†For conditions shown as MIN or MAX, use appropriate value specified under recommended operating conditions.

‡All typical values are at V_{CC} = 5 V, T_A = 25°C.

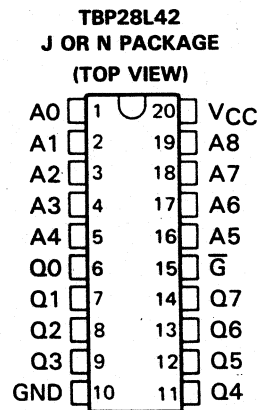
NOTE 3: Load circuits and voltage waveforms are shown in Section 1.

TBP28L42
4096 BITS (512 WORDS BY 8 BITS)
LOW-POWER PROGRAMMABLE READ-ONLY MEMORIES WITH 3-STATE OUTPUTS

logic symbol



pin assignment



recommended operating conditions

| PARAMETER | MJ | | | J OR N | | | UNIT |
|---|-----|-----|-----|--------|-----|------|------|
| | MIN | NOM | MAX | MIN | NOM | MAX | |
| V _{CC} Supply voltage | 4.5 | 5 | 5.5 | 4.75 | 5 | 5.25 | V |
| V _{IH} High-level input voltage | 2 | | | 2 | | | V |
| V _{IL} Low-level input voltage | | | 0.8 | | | 0.8 | V |
| I _{OH} High-level output current | | | -1 | | | -1.6 | mA |
| I _{OL} Low-level output current | | | 8 | | | 8 | mA |
| T _A Operating free-air temperature range | -55 | | 125 | 0 | | 70 | °C |

electrical characteristics over recommended operating free-air temperature range (unless otherwise noted)

| PARAMETER | TEST CONDITIONS [†] | MJ | | | J OR N | | | UNIT |
|------------------------------|--|-----|------------------|-------|--------|------------------|-------|------|
| | | MIN | TYP [‡] | MAX | MIN | TYP [‡] | MAX | |
| V _{IK} | V _{CC} = MIN, I _I = -18 mA | | | -1.2 | | | -1.2 | V |
| V _{OH} | V _{CC} = MIN, I _{OH} = MAX | 2.4 | 3.1 | | 2.4 | 3.1 | | V |
| V _{OL} | V _{CC} = MIN, I _{OL} = 8 mA | | | 0.5 | | | 0.5 | V |
| I _{OZH} | V _{CC} = MAX, V _O = 2.4 V | | | 50 | | | 50 | μA |
| I _{OZL} | V _{CC} = MAX, V _O = 0.5 V | | | -50 | | | -50 | μA |
| I _I | V _{CC} = MAX, V _I = 5.5 V | | | 1 | | | 1 | mA |
| I _{IH} | V _{CC} = MAX, V _I = 2.7 V | | | 25 | | | 25 | μA |
| I _{IL} | V _{CC} = MAX, V _I = 0.5 V | | | -0.25 | | | -0.25 | mA |
| I _{OS} [§] | V _{CC} = MAX | -10 | | -100 | -10 | | -100 | mA |
| I _{CC} | V _{CC} = MAX | | 50 | 85 | | 50 | 85 | mA |

switching characteristics over recommended ranges of T_A and V_{CC} (unless otherwise noted)

| PARAMETER | TEST CONDITIONS | MJ | | | J OR N | | | UNIT |
|--|-------------------------------------|-----|------------------|-----|--------|------------------|-----|------|
| | | MIN | TYP [‡] | MAX | MIN | TYP [‡] | MAX | |
| t _{a(A)} Access time from address | C _L = 30 pF | | 55 | 110 | | 55 | 95 | ns |
| t _{a(S)} Access time from chip select (enable time) | See Note 3 | | 25 | 60 | | 25 | 60 | ns |
| t _{dis} Disable time | C _L = 5 pF See Note 3 | | 25 | 50 | | 25 | 40 | ns |

[†]For conditions shown as MIN or MAX, use appropriate value specified under recommended operating conditions.

[‡]All typical values are at V_{CC} = 5 V, T_A = 25°C.

[§]Not more than one output should be shorted at a time, and duration of the short circuit should not exceed one second.

NOTE 3: Load circuits and voltage waveforms are shown in Section 1.

4

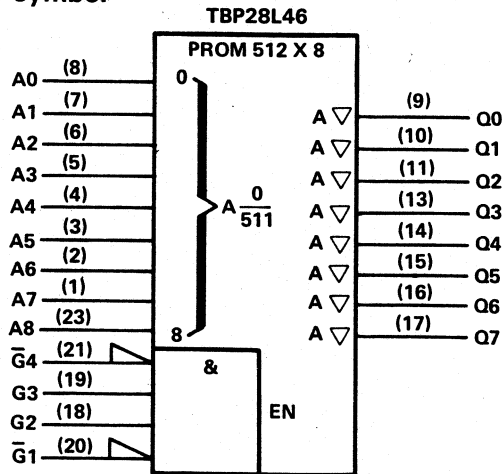
PROMS

TBP28L46

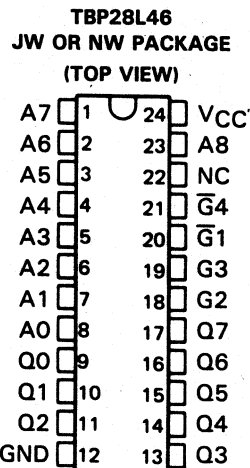
4096 BITS (512 WORDS BY 8 BITS)

LOW-POWER PROGRAMMABLE READ-ONLY MEMORIES WITH 3-STATE OUTPUTS

logic symbol:



pin assignment



recommended operating conditions

| PARAMETER | MJW | | | JW OR NW | | | UNIT |
|---|-----|-----|-----|----------|-----|------|------|
| | MIN | NOM | MAX | MIN | NOM | MAX | |
| V _{CC} Supply voltage | 4.5 | 5 | 5.5 | 4.75 | 5 | 5.25 | V |
| V _{IH} High-level input voltage | 2 | | | 2 | | | V |
| V _{IL} Low-level input voltage | | | | | | | V |
| I _{OH} High-level output current | | | 0.8 | | | 0.8 | mA |
| I _{OL} Low-level output current | | | -1 | | | -1.6 | mA |
| T _A Operating free-air temperature range | | | 8 | | | 8 | °C |
| | -55 | | 125 | 0 | | 70 | |

electrical characteristics over recommended operating free-air temperature range (unless otherwise noted)

| PARAMETER | TEST CONDITIONS† | MJW | | | JW OR NW | | | UNIT |
|-------------------|--|-----|------|-------|----------|------|-------|------|
| | | MIN | TYP‡ | MAX | MIN | TYP‡ | MAX | |
| V _{IK} | V _{CC} = MIN, I _I = -18 mA | | | -1.2 | | | -1.2 | V |
| V _{OH} | V _{CC} = MIN, I _{OH} = MAX | 2.4 | 3.1 | | 2.4 | 3.1 | | V |
| V _{OL} | V _{CC} = MIN, I _{OL} = 8 mA | | | 0.5 | | | 0.5 | V |
| I _{OZH} | V _{CC} = MAX, V _O = 2.4 V | | | 50 | | | 50 | μA |
| I _{OZL} | V _{CC} = MAX, V _O = 0.5 V | | | -50 | | | -50 | μA |
| I _I | V _{CC} = MAX, V _I = 5.5 V | | | 1 | | | 1 | mA |
| I _{IH} | V _{CC} = MAX, V _I = 2.7 V | | | 25 | | | 25 | μA |
| I _{IL} | V _{CC} = MAX, V _I = 0.5 V | | | -0.25 | | | -0.25 | mA |
| I _{OS} § | V _{CC} = MAX | -10 | | -100 | -10 | | -100 | mA |
| I _{CC} | V _{CC} = MAX | | 50 | 85 | | 50 | 85 | mA |

switching characteristics over recommended ranges of T_A and V_{CC} (unless otherwise noted)

| PARAMETER | TEST CONDITIONS | MJW | | | JW OR NW | | | UNIT |
|--|-------------------------------------|-----|------|-----|----------|------|-----|------|
| | | MIN | TYP‡ | MAX | MIN | TYP‡ | MAX | |
| t _{a(A)} Access time from address | C _L = 30 pF | | 55 | 110 | | 55 | 95 | ns |
| t _{a(S)} Access time from chip select (enable time) | See Note 3 | | 25 | 60 | | 25 | 60 | ns |
| t _{dis} Disable time | C _L = 5 pF See Note 3 | | 25 | 50 | | 25 | 40 | ns |

†For conditions shown as MIN or MAX, use appropriate value specified under recommended operating conditions.

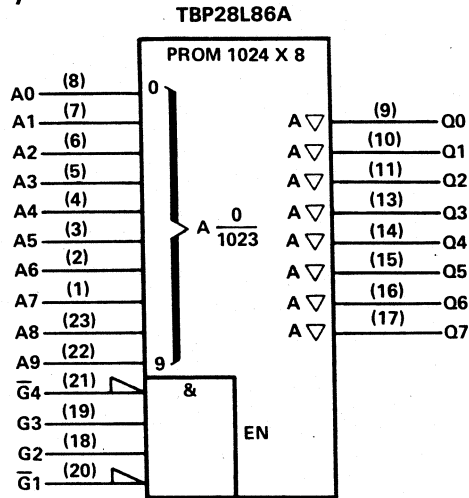
‡All typical values are at V_{CC} = 5 V, T_A = 25°C.

§Not more than one output should be shorted at a time, and duration of the short circuit should not exceed one second.

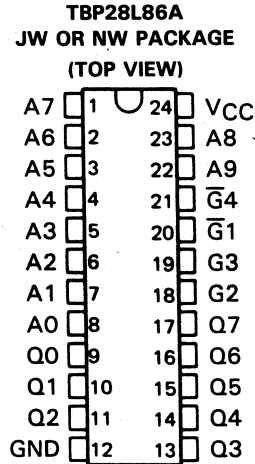
NOTE 3: Load circuits and voltage waveforms are shown in Section 1.

TBP28L86A
8192 BITS (1024 WORDS BY 8 BITS)
LOW-POWER PROGRAMMABLE READ-ONLY MEMORIES WITH 3-STATE OUTPUTS

logic symbol



pin assignment



recommended operating conditions

| PARAMETER | MJW | | | JW OR NW | | | UNIT |
|---|---------|-----|-----|----------|-----|------|------|
| | MIN | NOM | MAX | MIN | NOM | MAX | |
| V _{CC} Supply voltage | 4.5 | 5 | 5.5 | 4.75 | 5 | 5.25 | V |
| V _{IH} High-level input voltage | 2 | | | 2 | | | V |
| V _{IL} Low-level input voltage | 0.8 | | | 0.8 | | | V |
| I _{OH} High-level output current | -1 | | | -1.6 | | | mA |
| I _{OL} Low-level output current | 8 | | | 8 | | | mA |
| T _A Operating free-air temperature range | -55 125 | | | 0 70 | | | °C |

electrical characteristics over recommended operating free-air temperature range (unless otherwise noted)

| PARAMETER | TEST CONDITIONS [†] | MJW | | | JW OR NW | | | UNIT |
|------------------------------|--|-------|------------------|-------|----------|------------------|------|------|
| | | MIN | TYP [‡] | MAX | MIN | TYP [‡] | MAX | |
| V _{IK} | V _{CC} = MIN, I _I = -18 mA | -1.2 | | | -1.2 | | | V |
| V _{OH} | V _{CC} = MIN, I _{OH} = MAX | 2.4 | 3.1 | | 2.4 | 3.1 | V | |
| V _{OL} | V _{CC} = MIN, I _{OL} = 8 mA | 0.5 | | | 0.5 | | | V |
| I _{OZH} | V _{CC} = MAX, V _O = 2.4 V | 50 | | | 50 | | | μA |
| I _{OZL} | V _{CC} = MAX, V _O = 0.5 V | -50 | | | -50 | | | μA |
| I _I | V _{CC} = MAX, V _I = 5.5 V | 1 | | | 1 | | | mA |
| I _{IH} | V _{CC} = MAX, V _I = 2.7 V | 25 | | | 25 | | | μA |
| I _{IL} | V _{CC} = MAX, V _I = 0.5 V | -0.25 | | | -0.25 | | | mA |
| I _{OS} [§] | V _{CC} = MAX | -10 | | -100 | -10 | | -100 | mA |
| I _{CC} | V _{CC} = MAX | 55 95 | | 55 80 | | | mA | |

switching characteristics over recommended ranges of T_A and V_{CC} (unless otherwise noted)

| PARAMETER | TEST CONDITIONS | MJW | | | JW OR NW | | | UNIT |
|--|-------------------------------------|-----|------------------|-----|----------|------------------|-----|------|
| | | MIN | TYP [‡] | MAX | MIN | TYP [‡] | MAX | |
| t _{a(A)} Access time from address | C _L = 30 pF | | 65 | 200 | | 65 | 110 | ns |
| t _{a(S)} Access time from chip select (enable time) | See Note 3 | | 40 | 125 | | 40 | 80 | ns |
| t _{dis} Disable time | C _L = 5 pF See Note 3 | | 25 | 100 | | 25 | 60 | ns |

[†]For conditions shown as MIN or MAX, use appropriate value specified under recommended operating conditions.

[‡]All typical values are at V_{CC} = 5 V, T_A = 25 °C.

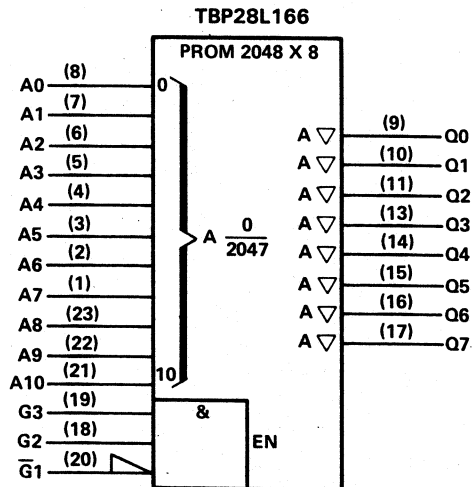
[§]Not more than one output should be shorted at a time, and duration of the short circuit should not exceed one second.

NOTE 3: Load circuits and voltage waveforms are shown in Section 1.

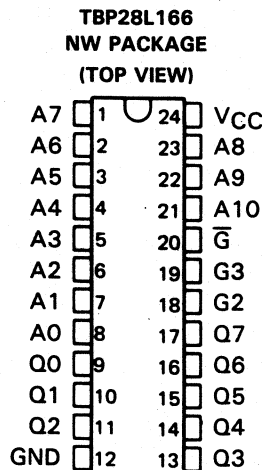
4
PROMS

TBP28L166
16,384 BITS (2084 WORDS BY 8 BITS)
LOW-POWER PROGRAMMABLE READ-ONLY MEMORIES WITH 3-STATE OUTPUTS

logic symbol



pin assignment



recommended operating conditions

| PARAMETER | NW | | | UNIT |
|---|------|-----|------|------|
| | MIN | NOM | MAX | |
| V _{CC} Supply voltage | 4.75 | 5 | 5.25 | V |
| V _{IH} High-level input voltage | 2 | | | V |
| V _{IL} Low-level input voltage | | | 0.8 | V |
| I _{OH} High-level output current | | | -1.6 | mA |
| I _{OL} Low-level output current | | | 8 | mA |
| T _A Operating free-air temperature range | 0 | | 70 | °C |

electrical characteristics over recommended operating free-air temperature range (unless otherwise noted)

| PARAMETER | TEST CONDITIONS | NW | | | UNIT |
|-------------------|---|-----|------|-------|------|
| | | MIN | TYP† | MAX | |
| V _{IK} | V _{CC} = 4.75, I _I = -18 mA | | | -1.2 | V |
| V _{OH} | V _{CC} = 4.75, I _{OH} = -1.6 mA | 2.4 | 3.1 | | V |
| V _{OL} | V _{CC} = 4.75, I _{OL} = 8 mA | | | 0.5 | V |
| I _{OZH} | V _{CC} = 5.25, V _O = 2.4 V | | | 50 | μA |
| I _{OZL} | V _{CC} = 5.25, V _O = 0.5 V | | | -50 | μA |
| I _I | V _{CC} = 5.25, V _I = 5.5 V | | | 1 | mA |
| I _{IH} | V _{CC} = 5.25, V _I = 2.7 V | | | 25 | μA |
| I _{IL} | V _{CC} = 5.25, V _I = 0.5 V | | | -0.25 | mA |
| I _{OS} ‡ | V _{CC} = 5.25 | -10 | | -100 | mA |
| I _{CC} | V _{CC} = 5.25 | | 75 | 110 | mA |

switching characteristics over recommended ranges of T_A and V_{CC} (unless otherwise noted)

| PARAMETER | TEST CONDITIONS | NW | | | UNIT |
|---|-------------------------------------|-----|------|-----|------|
| | | MIN | TYP† | MAX | |
| t _a (A) Access time from address | C _L = 30 pF | | 80 | 125 | ns |
| t _a (S) Access time from chip select (enable time) | See Note 3 | | 40 | 65 | ns |
| t _{dis} Disable time | C _L = 5 pF See Note 3 | | 30 | 65 | ns |

† All typical values are at V_{CC} = 5 V, T_A = 25 °C.

‡ Not more than one output should be shorted at a time, and duration of the short circuit should not exceed one second.

NOTE 3: Load circuits and voltage waveforms are shown in Section 1.

4

PROMS

SERIES 24 AND 28 PROGRAMMABLE READ-ONLY MEMORIES

recommended operating conditions for programming (see Figure 1)

| | | MIN | NOM | MAX | UNIT |
|---|--------------|-------|-----|-------|-------------|
| Steady-state supply voltage | V_{CC} | 4.75 | 5 | 5.25 | V |
| Input voltage | V_{IH} | 3 | 4 | 5 | V |
| | V_{IL} | 0 | 0 | 0.5 | |
| Voltage at all outputs except the one to be programmed | | 0 | 0 | 0.5 | V |
| Supply voltage level to program a bit | $V_{CC(pr)}$ | 5.75 | 6 | 6.25 | V |
| Select or enable level to program a bit | $V_{S(pr)}$ | 9.75 | 10 | 11 | V |
| Output level during interval t_5 | $V_{O(pr)}$ | 15.75 | 16 | 16.25 | V |
| Supply voltage during verification (see step 14) | Low | 4.4 | 4.5 | 4.6 | V |
| | High | 5.4 | 5.5 | 5.6 | |
| Time from V_{CC} to settle and to verify need to program | t_1 | 0 | 5 | 10 | μs |
| Time from $V_{CC} = 6 V$ until chip select (enable) is at 10 V- | t_2 | 5 | 5 | 10 | μs |
| Time from chip select (enable) high to start of program ramp | t_3 | 0.1 | 5 | 10 | μs |
| Ramp time, output program pulse | t_4 | 10 | 15 | 20 | μs |
| Duration of output program pulse | t_5 | 15 | 20 | 20 | μs |
| Time from end of program pulse to chip select (enable) low | t_6 | 5 | 5 | 10 | μs |
| Time from chip select (enable) $V_{CC} = 0 V$ | t_7 | 0.1 | 5 | 5 | μs |
| Time for cooling between bits | t_8 | 30 | 50 | 100 | μs |
| Time for cooling between words | t_9 | 30 | 50 | | μs |
| Free-air temperature | T_A | 20 | 25 | 30 | $^{\circ}C$ |

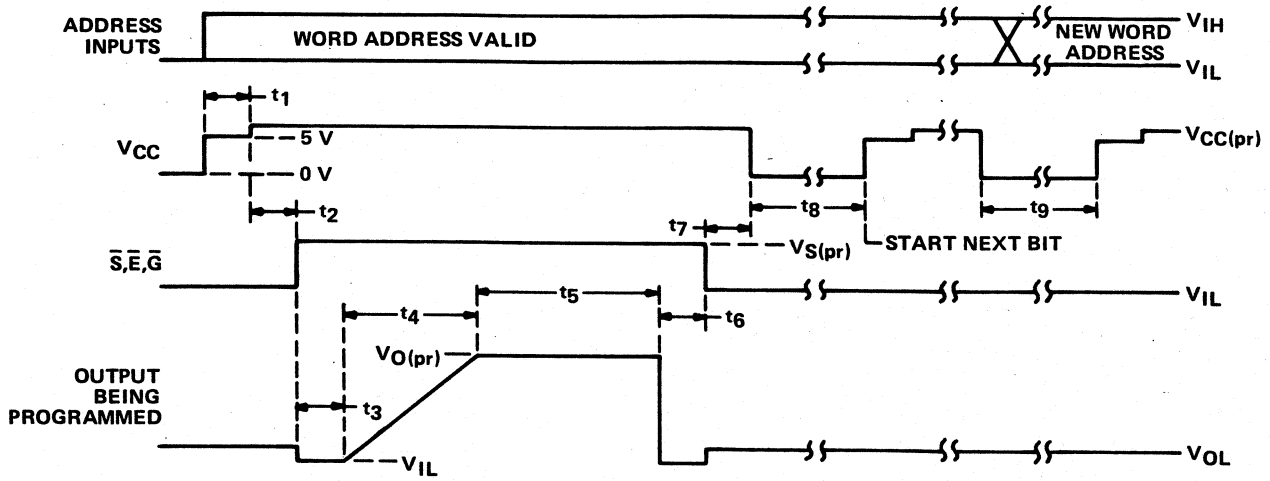
step-by-step programming instruction (see Figure 1)

1. Address the word to be programmed, apply 5 volts to V_{CC} and active levels to all chip select (S and \bar{S}) or chip enable (E and \bar{E}) inputs.
2. Verify the status of a bit location by checking the output level.
3. Decrease V_{CC} to 0 volts.
4. For bit locations that do not require programming, skip steps 5 through 11.
5. Increase V_{CC} to $V_{CC(pr)}$ with a minimum current capability of 250 milliamperes.
6. Apply $V_{S(pr)}$ to all the \bar{S} , \bar{E} or \bar{G} inputs. $I_I \leq 25$ milliamperes. Active-high enables may be left high.
7. Connect all outputs, except the one to be programmed, to V_{IL} . Only one bit is to be programmed at a time.
8. Apply the output programming pulse for 20 microseconds. Minimum current capability of the programming supply should be 250 milliamperes.
9. After terminating the output pulse, disconnect all outputs from V_{IL} conditions.
10. Reduce the voltage at \bar{S} , \bar{E} , or \bar{G} inputs to V_{II} .
11. Decrease V_{CC} to 0 volts.
12. Return to step 4 until all outputs in the word have been programmed.
13. Repeat steps 2 through 11 for each word in memory.
14. Verify programming of every word after all words have been programmed using V_{CC} values of 4.5 and 5.5 volts.

4

PROMS

**SERIES 24 AND 28
PROGRAMMABLE READ-ONLY MEMORIES**



NOTE 4: Rise and fall times should be $\leq 1 \mu s$.

FIGURE 1. TIMING DIAGRAM AND VOLTAGE WAVEFORMS FOR PROGRAMMING SEQUENCE

PACKAGING INFORMATION

| Orderable Device | Status (1) | Package Type | Package Drawing | Pins | Package Qty | Eco Plan (2) | Lead finish/ Ball material (6) | MSL Peak Temp (3) | Op Temp (°C) | Device Marking (4/5) | Samples |
|------------------|---------------|--------------|-----------------|------|-------------|------------------|--------------------------------------|----------------------|--------------|-------------------------|-------------------------|
| JBP28L42MJ | ACTIVE | CDIP | J | 20 | 20 | Non-RoHS & Green | SNPB | N / A for Pkg Type | -55 to 125 | JBP28L42MJ | Samples |
| JBP28S42MJ | ACTIVE | CDIP | J | 20 | 20 | Non-RoHS & Green | SNPB | N / A for Pkg Type | -55 to 125 | JBP28S42MJ | Samples |

(1) The marketing status values are defined as follows:

ACTIVE: Product device recommended for new designs.

LIFEBUY: TI has announced that the device will be discontinued, and a lifetime-buy period is in effect.

NRND: Not recommended for new designs. Device is in production to support existing customers, but TI does not recommend using this part in a new design.

PREVIEW: Device has been announced but is not in production. Samples may or may not be available.

OBSOLETE: TI has discontinued the production of the device.

(2) **RoHS:** TI defines "RoHS" to mean semiconductor products that are compliant with the current EU RoHS requirements for all 10 RoHS substances, including the requirement that RoHS substance do not exceed 0.1% by weight in homogeneous materials. Where designed to be soldered at high temperatures, "RoHS" products are suitable for use in specified lead-free processes. TI may reference these types of products as "Pb-Free".

RoHS Exempt: TI defines "RoHS Exempt" to mean products that contain lead but are compliant with EU RoHS pursuant to a specific EU RoHS exemption.

Green: TI defines "Green" to mean the content of Chlorine (Cl) and Bromine (Br) based flame retardants meet JS709B low halogen requirements of <=1000ppm threshold. Antimony trioxide based flame retardants must also meet the <=1000ppm threshold requirement.

(3) MSL, Peak Temp. - The Moisture Sensitivity Level rating according to the JEDEC industry standard classifications, and peak solder temperature.

(4) There may be additional marking, which relates to the logo, the lot trace code information, or the environmental category on the device.

(5) Multiple Device Markings will be inside parentheses. Only one Device Marking contained in parentheses and separated by a "~" will appear on a device. If a line is indented then it is a continuation of the previous line and the two combined represent the entire Device Marking for that device.

(6) Lead finish/Ball material - Orderable Devices may have multiple material finish options. Finish options are separated by a vertical ruled line. Lead finish/Ball material values may wrap to two lines if the finish value exceeds the maximum column width.

Important Information and Disclaimer:The information provided on this page represents TI's knowledge and belief as of the date that it is provided. TI bases its knowledge and belief on information provided by third parties, and makes no representation or warranty as to the accuracy of such information. Efforts are underway to better integrate information from third parties. TI has taken and continues to take reasonable steps to provide representative and accurate information but may not have conducted destructive testing or chemical analysis on incoming materials and chemicals. TI and TI suppliers consider certain information to be proprietary, and thus CAS numbers and other limited information may not be available for release.

In no event shall TI's liability arising out of such information exceed the total purchase price of the TI part(s) at issue in this document sold by TI to Customer on an annual basis.

J (R-GDIP-T**)

14 LEADS SHOWN

CERAMIC DUAL IN-LINE PACKAGE



| DIM \ PINS ** | 14 | 16 | 18 | 20 |
|---------------|------------------------|------------------------|------------------------|------------------------|
| A | 0.300 (7,62) BSC | 0.300 (7,62) BSC | 0.300 (7,62) BSC | 0.300 (7,62) BSC |
| B MAX | 0.785 (19,94) | .840 (21,34) | 0.960 (24,38) | 1.060 (26,92) |
| B MIN | — | — | — | — |
| C MAX | 0.300 (7,62) | 0.300 (7,62) | 0.310 (7,87) | 0.300 (7,62) |
| C MIN | 0.245 (6,22) | 0.245 (6,22) | 0.220 (5,59) | 0.245 (6,22) |



4040083/F 03/03

- NOTES:
- All linear dimensions are in inches (millimeters).
 - This drawing is subject to change without notice.
 - This package is hermetically sealed with a ceramic lid using glass frit.
 - Index point is provided on cap for terminal identification only on press ceramic glass frit seal only.
 - Falls within MIL STD 1835 GDIP1-T14, GDIP1-T16, GDIP1-T18 and GDIP1-T20.

IMPORTANT NOTICE AND DISCLAIMER

TI PROVIDES TECHNICAL AND RELIABILITY DATA (INCLUDING DATA SHEETS), DESIGN RESOURCES (INCLUDING REFERENCE DESIGNS), APPLICATION OR OTHER DESIGN ADVICE, WEB TOOLS, SAFETY INFORMATION, AND OTHER RESOURCES "AS IS" AND WITH ALL FAULTS, AND DISCLAIMS ALL WARRANTIES, EXPRESS AND IMPLIED, INCLUDING WITHOUT LIMITATION ANY IMPLIED WARRANTIES OF MERCHANTABILITY, FITNESS FOR A PARTICULAR PURPOSE OR NON-INFRINGEMENT OF THIRD PARTY INTELLECTUAL PROPERTY RIGHTS.

These resources are intended for skilled developers designing with TI products. You are solely responsible for (1) selecting the appropriate TI products for your application, (2) designing, validating and testing your application, and (3) ensuring your application meets applicable standards, and any other safety, security, regulatory or other requirements.

These resources are subject to change without notice. TI grants you permission to use these resources only for development of an application that uses the TI products described in the resource. Other reproduction and display of these resources is prohibited. No license is granted to any other TI intellectual property right or to any third party intellectual property right. TI disclaims responsibility for, and you will fully indemnify TI and its representatives against, any claims, damages, costs, losses, and liabilities arising out of your use of these resources.

TI's products are provided subject to [TI's Terms of Sale](#) or other applicable terms available either on [ti.com](https://www.ti.com) or provided in conjunction with such TI products. TI's provision of these resources does not expand or otherwise alter TI's applicable warranties or warranty disclaimers for TI products.

TI objects to and rejects any additional or different terms you may have proposed.

Mailing Address: Texas Instruments, Post Office Box 655303, Dallas, Texas 75265
Copyright © 2024, Texas Instruments Incorporated