

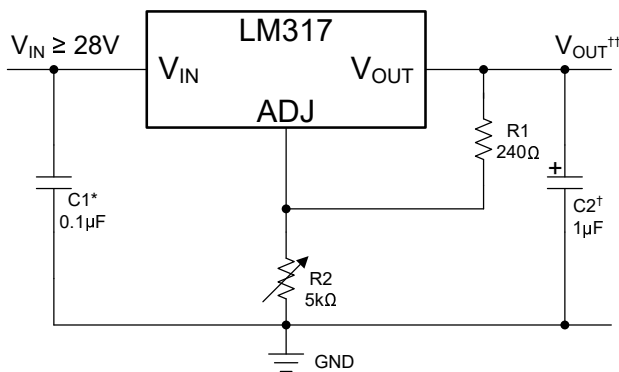
## LM317 3-Pin Adjustable Regulator

### 1 Features

- Output voltage range:
  - Adjustable: 1.25V to 37V
- Output current: 1.5A
- Line regulation: 0.01%/V (typ)
- Load regulation: 0.1% (typ)
- Internal short-circuit current limiting
- Thermal overload protection
- Output safe-area compensation (new chip)
- PSRR: 80dB at 120Hz for  $C_{ADJ} = 10\mu\text{F}$  (new chip)
- Packages:
  - 4-pin, SOT-223 (DCY)
  - 3-pin, TO-263 (KTT)
  - 3-pin, TO-220 (KCS, KCT), legacy chip

### 2 Applications

- [Multifunction printers](#)
- [AC drive power stage modules](#)
- [Electricity meters](#)
- [Servo drive control modules](#)
- [Merchant network and server PSU](#)



\*Needed if the device is more than 6 inches from filter capacitors.

†Optional, improves transient response.

††See [Equation 1](#).

$$V_{OUT} = 1.25V \times \left(1 + \frac{R_2}{R_1}\right) + I_{ADJ} \times (R_2) \quad (1)$$

### Typical Application

### 3 Description

The LM317 is an adjustable three-pin, positive-voltage regulator capable of supplying more than 1.5A over an output voltage range of 1.25V to 37V. The device requires only two external resistors to set the output voltage. The device features a typical line regulation of 0.01% and typical load regulation of 0.1%. The LM317 includes current limiting, thermal overload protection, and safe operating area protection. Overload protection remains functional even if the ADJUST pin is disconnected.

Typically, no capacitors are needed unless the device is situated more than 6 inches from the input filter capacitors. In that case, an input bypass is needed. Add an optional output capacitor to improve transient response. Bypass the adjustment pin to achieve very high ripple rejection ratios that are difficult to achieve with standard 3-pin regulators.

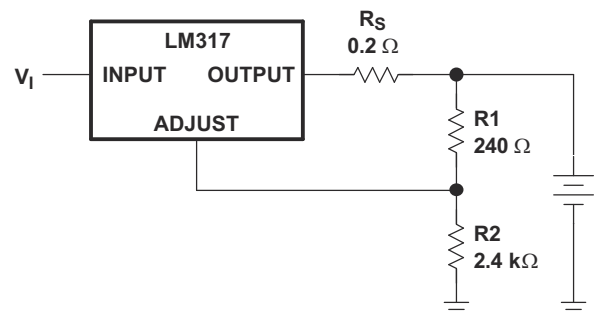
#### Package Information

PART NUMBER	PACKAGE <sup>(1)</sup>	PACKAGE SIZE <sup>(2)</sup>
LM317	DCY (SOT-223, 4)	6.5mm × 7mm
	KTT (TO-263, 3)	10.16mm × 15.24mm
	KCS, KCT (TO-220, 3) <sup>(3)</sup>	10.16mm × 4.55mm

(1) For more information, see the [Mechanical, Packaging, and Orderable Information](#).

(2) The package size (length × width) is a nominal value and includes pins, where applicable.

(3) Legacy chip.



### Battery-Charger Circuit



The regulator is *floating* and detects only the input-to-output differential voltage. Thus, supplies of several hundred volts are regulated as long as the maximum input-to-output differential is not exceeded. That is, avoid short-circuiting the output.

By connecting a fixed resistor between the adjustment pin and output, the LM317 is also able to be used as a precision current regulator. Supplies with electronic shutdown are achieved by clamping the adjustment terminal to ground, which programs the output to 1.25V where most loads draw little current.

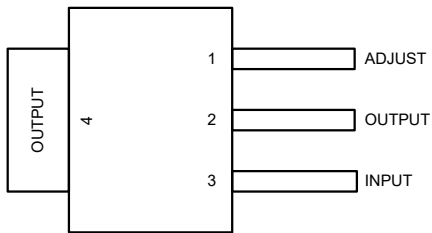
## Table of Contents

<b>1 Features</b> .....	1		
<b>2 Applications</b> .....	1	<b>7.4 Device Functional Modes</b> .....	14
<b>3 Description</b> .....	1	<b>8 Application and Implementation</b> .....	15
<b>4 Device Comparison Table</b> .....	4	8.1 Application Information.....	15
<b>5 Pin Configuration and Functions</b> .....	5	8.2 Typical Application.....	15
<b>6 Specifications</b> .....	6	8.3 System Examples.....	17
6.1 Absolute Maximum Ratings.....	6	8.4 Power Supply Recommendations.....	23
6.2 ESD Ratings.....	6	8.5 Layout.....	23
6.3 Recommended Operating Conditions.....	6	<b>9 Device and Documentation Support</b> .....	28
6.4 Thermal Information (Legacy Chip).....	7	9.1 Device Support.....	28
6.5 Thermal Information (New Chip).....	7	9.2 Receiving Notification of Documentation Updates....	28
6.6 Electrical Characteristics.....	8	9.3 Support Resources.....	28
6.7 Typical Characteristics.....	9	9.4 Trademarks.....	28
<b>7 Detailed Description</b> .....	13	9.5 Electrostatic Discharge Caution.....	28
7.1 Overview.....	13	9.6 Glossary.....	28
7.2 Functional Block Diagram.....	13	<b>10 Revision History</b> .....	29
7.3 Feature Description.....	13	<b>11 Mechanical, Packaging, and Orderable Information</b> .....	29

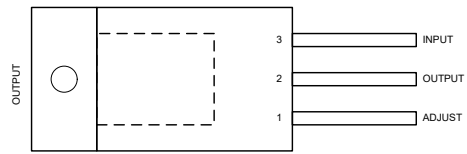
## 4 Device Comparison Table

I <sub>OUT</sub>	PARAMETER	LM317 (Legacy Chip)	LM317 (New Chip)	LM317-N	LM317A	LM317HV	UNIT
1.5A	Input voltage range	4.25 to 40	4.25 to 40	4.25 to 40	4.25 to 40	4.25 - 60	V
	Load regulation accuracy	1.5	1.5	1.5	1	1.5	%
	PSRR (120Hz)	64	80	80	80	65	dB
	Recommended operating temperature	0 to 125	0 to 125	0 to 125	-40 to 125	0 to 125	°C
	TO-220 (NDE) T <sub>JA</sub>	23.5		23.2	23.3	23	°C/W
	TO-200 (KCT) T <sub>JA</sub>	37.9		N/A	N/A		°C/W
	TO-252 T <sub>JA</sub>	N/A		54	54		°C/W
	TO-263 T <sub>JA</sub>	38	41	41	N/A		°C/W
	SOT-223 T <sub>JA</sub>	66.8	59.6	59.6	59.6		°C/W
	TO-92 T <sub>JA</sub>	N/A		186	186		°C/W
0.5A		<a href="#">LM317M</a>					
	Input voltage range	3.75 to 40					V
	Load regulation accuracy	1.5					%
	PSRR (120Hz)	80					dB
	Recommended operating temperature	-40 to 125					°C
	SOT-223 T <sub>JA</sub>	60.2					°C/W
	TO-252 T <sub>JA</sub>	56.9					°C/W
0.1A		<a href="#">LM317L</a>		<a href="#">LM317L-N</a>			
	Input voltage range	3.75 to 40		4.25 to 40			V
	Load regulation accuracy	1		1.5			%
	PSRR (120Hz)	62		80			dB
	Recommended operating temperature	-40 to 125		-40 to 125			°C
	SOT-23 T <sub>JA</sub>	167.8		N/A			°C/W
	SO-8 T <sub>JA</sub>	N/A		165			°C/W
	DSBGA T <sub>JA</sub>	N/A		290			°C/W
TO-92 T <sub>JA</sub>	N/A		180			°C/W	

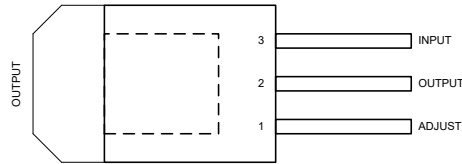
## 5 Pin Configuration and Functions



**Figure 5-1. DCY Package, 4-Pin SOT-223 (Top View)**



**Figure 5-2. KCS or KCT Package, 3-Pin TO-220 (Top View), Legacy Chip**



**Figure 5-3. KTT Package, 3-Pin TO-263 (Top View)**

### Pin Functions, Metal Can Packages

NAME	PIN			I/O	DESCRIPTION
	TO-220 (Legacy Chip)	TO-263	SOT-223		
ADJUST	1	1	1	—	Output voltage adjustment pin. Connect to a resistor divider to set $V_{OUT}$ .
INPUT	3	3	3	I	Input voltage pin for the regulator.
OUTPUT	2, TAB	2, TAB	2, TAB	O	Output voltage pin for the regulator.

## 6 Specifications

### 6.1 Absolute Maximum Ratings

over operating free-air temperature range (unless otherwise noted)<sup>(1)</sup> <sup>(2)</sup>

	MIN	MAX	UNIT
Power dissipation	Internally limited		
Input-output voltage differential	-0.3	40	V
Storage temperature, $T_{stg}$	-65	150	°C
Operating virtual junction temperature, $T_J$ (legacy chip)	-65	150	°C

- Stresses beyond those listed under *Absolute Maximum Ratings* may cause permanent damage to the device. These are stress ratings only, which do not imply functional operation of the device at these or any other conditions beyond those indicated under *Recommended Operating Conditions*. Exposure to absolute-maximum-rated conditions for extended periods may affect device reliability.
- If Military/Aerospace specified devices are required, please contact the Texas Instruments Sales Office/Distributors for availability and specifications.

### 6.2 ESD Ratings

			VALUE		UNIT
			Legacy Chip	New Chip	
$V_{(ESD)}$	Electrostatic discharge	Human body model (HBM), per ANSI/ESDA/JEDEC JS-001 <sup>(1)</sup>	±2500	±3000	V
		Charged device model (CDM), per JEDEC specification JESD22-C101 <sup>(2)</sup>	±1000	NA	

- JEDEC document JEP155 states that 500V HBM allows safe manufacturing with a standard ESD control process.
- JEDEC document JEP157 states that 250V CDM allows safe manufacturing with a standard ESD control process.

### 6.3 Recommended Operating Conditions

		MIN	MAX	UNIT
$V_O$	Output voltage	1.25	37	V
$V_I - V_O$	Input-to-output differential voltage	3	40	V
$I_O$	Output current	0.01	1.5	A
$T_J$	Operating virtual junction temperature	0	125	°C

## 6.4 Thermal Information (Legacy Chip)

THERMAL METRIC <sup>(1)</sup>		LM317				UNIT
		DCY (SOT-223)	KCS (TO-220)	KCT (TO-220)	KTT (TO-263)	
		4 PINS	3 PINS	3 PINS	3 PINS	
$R_{\theta(JA)}$	Junction-to-ambient thermal resistance	66.8	23.5	37.9	38.0	°C/W
$R_{\theta JC(top)}$	Junction-to-case (top) thermal resistance	43.2	15.9	51.1	36.5	°C/W
$R_{\theta JB}$	Junction-to-board thermal resistance	16.9	7.9	23.2	18.9	°C/W
$\Psi_{JT}$	Junction-to-top characterization parameter	3.6	3.0	13.0	6.9	°C/W
$\Psi_{JB}$	Junction-to-board characterization parameter	16.8	7.8	22.8	17.9	°C/W
$R_{\theta JC(bot)}$	Junction-to-case (bottom) thermal resistance	NA	0.1	4.2	1.1	°C/W

- (1) For more information about traditional and new thermal metrics, see the [Semiconductor and IC package thermal metrics application note](#).

## 6.5 Thermal Information (New Chip)

THERMAL METRIC <sup>(1) (2)</sup>		LM317		UNIT
		DCY (SOT-223)	KTT (TO-263)	
		4 PINS	3 PINS	
$R_{\theta(JA)}$	Junction-to-ambient thermal resistance	59.6	41.0	°C/W
$R_{\theta JC(top)}$	Junction-to-case (top) thermal resistance	39.3	43.6	°C/W
$R_{\theta JB}$	Junction-to-board thermal resistance	8.4	23.6	°C/W
$\Psi_{JT}$	Junction-to-top characterization parameter	1.8	10.4	°C/W
$\Psi_{JB}$	Junction-to-board characterization parameter	8.3	22.6	°C/W
$R_{\theta JC(bot)}$	Junction-to-case (bottom) thermal resistance	—	0.9	°C/W

- (1) For more information about traditional and new thermal metrics, see the [Semiconductor and IC package thermal metrics application note](#).
- (2) When surface-mount packages are used (SOT-223), the junction to ambient thermal resistance is reduced by increasing the PCB copper area that is thermally connected to the package. See the [Heat Sink Requirements](#) section for heat sink techniques.

## 6.6 Electrical Characteristics

some specifications apply over the full operating temperature range as noted; unless otherwise specified,  $T_J = 25^\circ\text{C}$ ,  $V_{IN} - V_{OUT} = 5\text{V}$ , and  $I_{OUT} = 10\text{mA}$ <sup>(1)</sup>

PARAMETER	TEST CONDITIONS <sup>(1)</sup>		MIN	TYP	MAX	UNIT		
Reference voltage	$T_J = 25^\circ\text{C}$			1.25		V		
	$3\text{V} \leq (V_{IN} - V_{OUT}) \leq 40\text{V}$ , $10\text{mA} \leq I_{OUT} \leq 1500\text{mA}$ , $P_D \leq 20\text{W}$		1.2	1.25	1.3			
Line regulation <sup>(2)</sup>	$3\text{V} \leq (V_{IN} - V_{OUT}) \leq 40\text{V}$ <sup>(4)</sup>		$T_J = 25^\circ\text{C}$		0.01	0.04	%V	
			(over full operating temperature range)		0.02	0.07		
Load regulation	Legacy chip	$I_O = 10\text{mA}$ to $1500\text{mA}$ , $C_{ADJ} = 10\mu\text{F}$ <sup>(3)</sup> , $T_J = 25^\circ\text{C}$	$V_O \leq 5\text{V}$			25	mV	
			$V_O \geq 5\text{V}$		0.1	0.5	% $V_O$	
		$I_O = 10\text{mA}$ to $1500\text{mA}$ , $T_J = 0^\circ\text{C}$ to $125^\circ\text{C}$		$V_O \leq 5\text{V}$		20	70	mV
		$V_O \geq 5\text{V}$		0.3	1.5	% $V_O$		
	New chip	$10\text{mA} \leq I_{OUT} \leq I_{MAX}$ <sup>(5)</sup>	$T_J = 25^\circ\text{C}$		0.1		0.5	
			(over full operating temperature range)		0.3	1.5		
Thermal regulation	20ms pulse			0.04	0.07	%/W		
Adjustment pin current	Over full operating temperature range			50	100	$\mu\text{A}$		
Adjustment pin current change	$10\text{mA} \leq I_{OUT} \leq I_{MAX}$ <sup>(4)</sup> $3\text{V} \leq (V_{IN} - V_{OUT}) \leq 40\text{V}$		Over full operating temperature range		0.2	5	$\mu\text{A}$	
Temperature stability	Legacy chip	$T_{MIN} \leq T_J \leq T_{MAX}$	Over full operating temperature range		0.7	% $V_O$		
	New chip		1%					
Minimum load current	$(V_{IN} - V_{OUT}) = 40\text{V}$		Over full operating temperature range		3.5	10	mA	
Current limit	$(V_{IN} - V_{OUT}) \leq 15\text{V}$		$P_D < P_{MAX}$ <sup>(3)</sup>		1.5	2.2	A	
	$(V_{IN} - V_{OUT}) = 40\text{V}$		$P_D < P_{MAX}$ <sup>(3)</sup> , $T_J = 25^\circ\text{C}$		0.15	0.4		
RMS output noise, % of $V_{OUT}$	$10\text{Hz} \leq f \leq 10\text{kHz}$			0.003		%		
Ripple rejection ratio	Legacy chip	$V_{OUT} = 10\text{V}$ , $f = 120\text{Hz}$ , $C_{ADJ} = 0\mu\text{F}$ <sup>(4)</sup>			57	dB		
		$V_{OUT} = 10\text{V}$ , $f = 120\text{Hz}$ , $C_{ADJ} = 10\mu\text{F}$ <sup>(4)</sup>		62	64			
	New chip	$V_{OUT} = 10\text{V}$ , $f = 120\text{Hz}$ , $C_{ADJ} = 0\mu\text{F}$ (over full operating temperature range)			65			
		$V_{OUT} = 10\text{V}$ , $f = 120\text{Hz}$ , $C_{ADJ} = 10\mu\text{F}$ (over full operating temperature range)		66	80			
Long-term stability	$T_J = 25^\circ\text{C}$			0.3	1	%/1k hr		

- (1) For the legacy chip (unless otherwise noted), the following test conditions apply:  $|V_I - V_O| = 5\text{V}$ ,  $I_{O\text{MAX}} = 1.5\text{A}$ , and  $T_J = 0^\circ\text{C}$  to  $125^\circ\text{C}$ . Pulse testing techniques are used to maintain the junction temperature as close to the ambient temperature as possible.
- (2) For the legacy chip, line regulation is expressed as the percentage change in output voltage per 1V change at the input.
- (3) For the legacy chip, maximum power dissipation is a function of  $T_{J(\text{max})}$ ,  $R_{\theta JA}$ , and  $T_A$ . The maximum allowable power dissipation at any allowable ambient temperature is  $P_D = (T_{J(\text{max})} - T_A) / R_{\theta JA}$ . Operating at the absolute maximum  $T_J$  of  $150^\circ\text{C}$  potentially affects reliability.
- (4) For the legacy chip,  $C_{ADJ}$  is connected between the ADJUST pin and GND.
- (5) For the new chip, regulation is measured at a constant junction temperature, using pulse testing with a low duty cycle. Changes in output voltage resulting from heating effects are covered under the specifications for thermal regulation.



### 6.7 Typical Characteristics

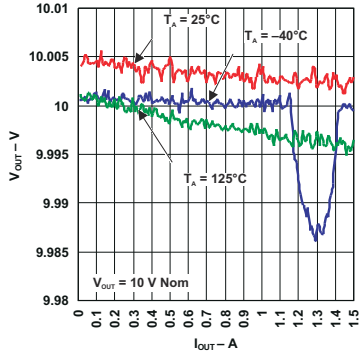


Figure 6-1. Load Regulation (Legacy Chip)

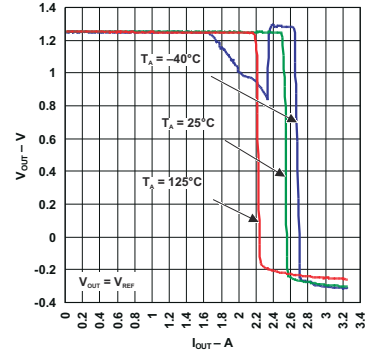


Figure 6-2. Load Regulation (Legacy Chip)

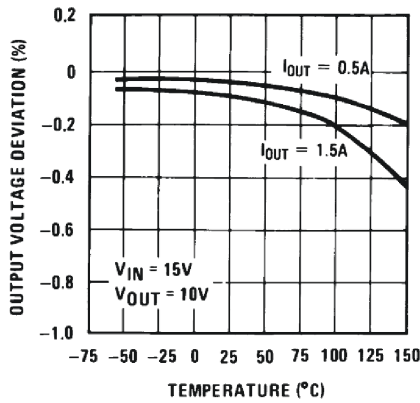


Figure 6-3. Load Regulation (New Chip)

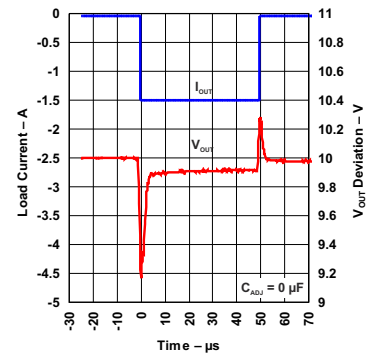


Figure 6-4. Load Transient Response (Legacy Chip)

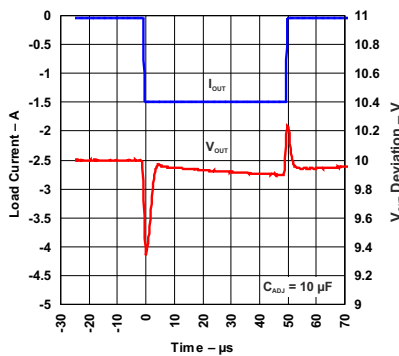


Figure 6-5. Load Transient Response (Legacy Chip)

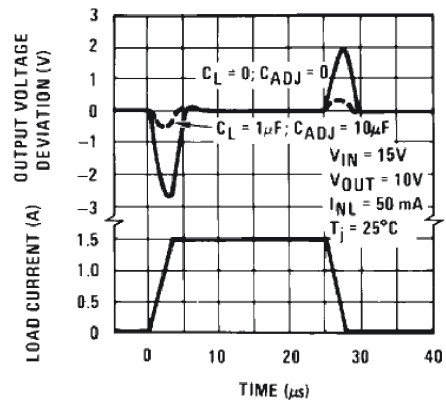


Figure 6-6. Load Transient Response (New Chip)

### 6.7 Typical Characteristics (continued)

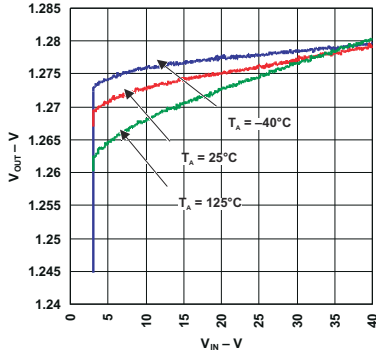


Figure 6-7. Line Regulation (Legacy Chip)

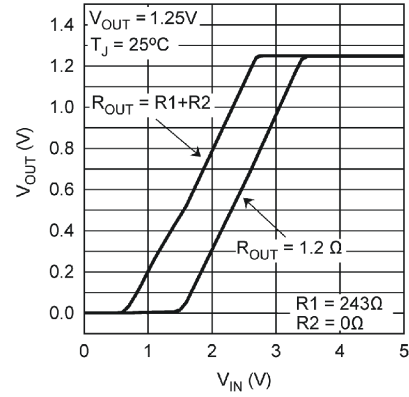


Figure 6-8. Output Voltage vs Input Voltage,  $V_{OUT} = V_{REF}$  (New Chip)

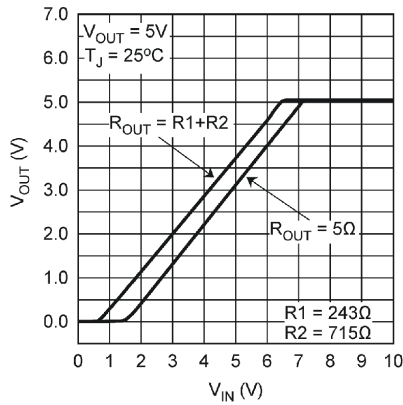


Figure 6-9. Output Voltage vs Input Voltage,  $V_{OUT} = 5V$  (New Chip)

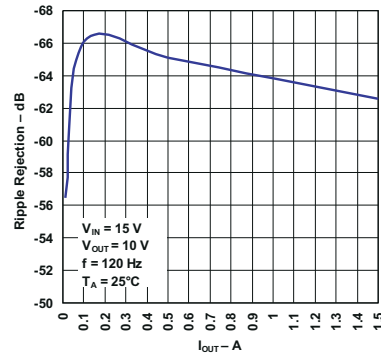


Figure 6-10. Ripple Rejection vs Output Current (Legacy Chip)

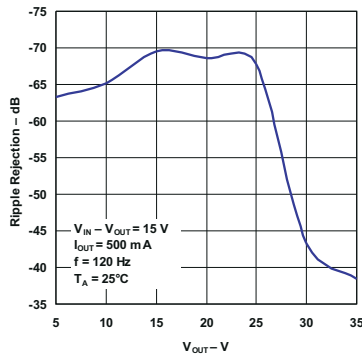


Figure 6-11. Ripple Rejection vs Output Voltage (Legacy Chip)

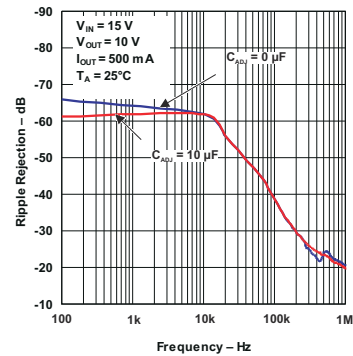


Figure 6-12. Ripple Rejection vs Frequency (Legacy Chip)

### 6.7 Typical Characteristics (continued)

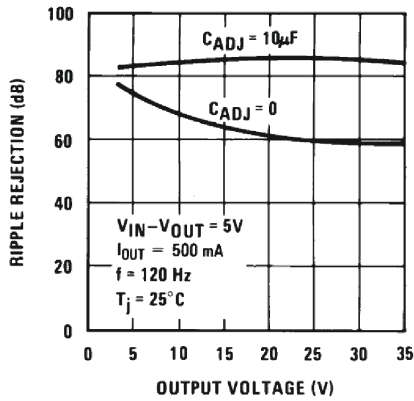


Figure 6-13. Ripple Rejection vs Output Voltage (New Chip)

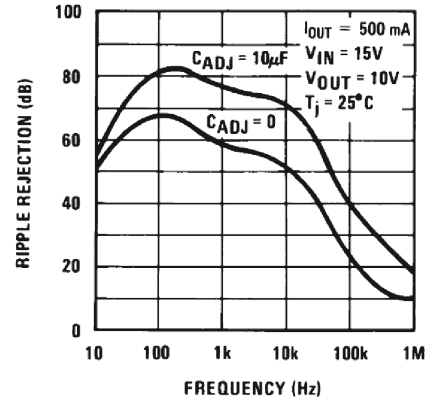


Figure 6-14. Ripple Rejection vs Frequency (New Chip)

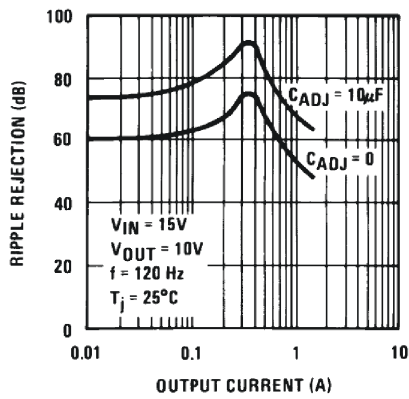


Figure 6-15. Ripple Rejection vs Output Current (New Chip)

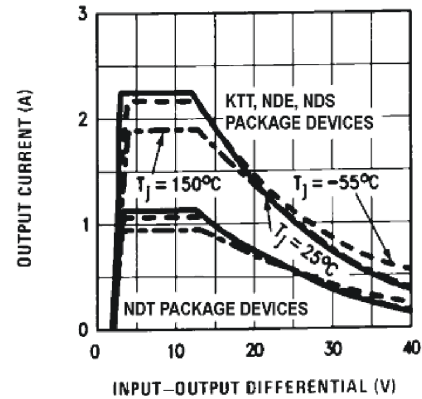


Figure 6-16. Current Limit Threshold (New Chip)

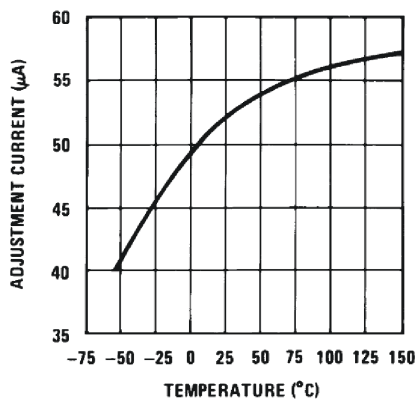


Figure 6-17. Adjustment Current vs Temperature (New Chip)

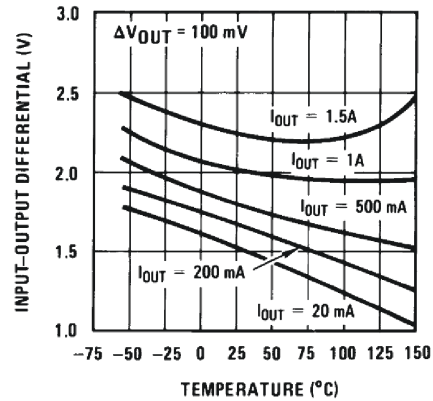


Figure 6-18. Dropout Voltage vs Temperature (New Chip)

### 6.7 Typical Characteristics (continued)

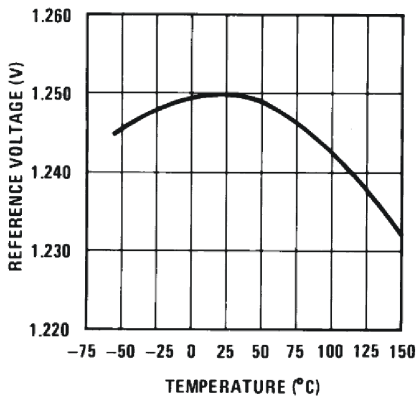


Figure 6-19. Temperature Stability (New Chip)

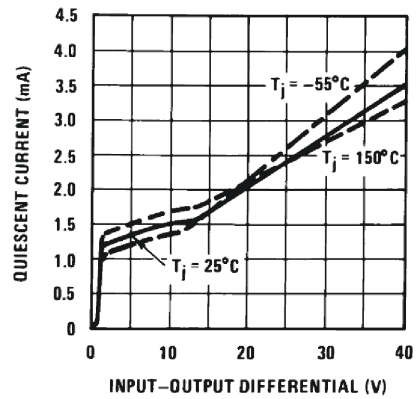


Figure 6-20. Minimum Operating Current (New Chip)

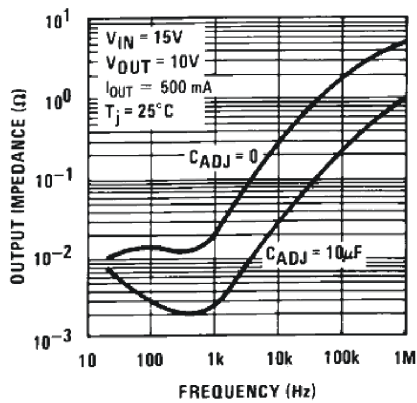


Figure 6-21. Output Impedance vs Frequency (New Chip)

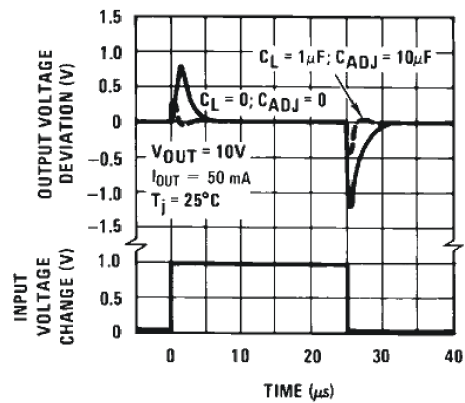


Figure 6-22. Line Transient Response (New Chip)

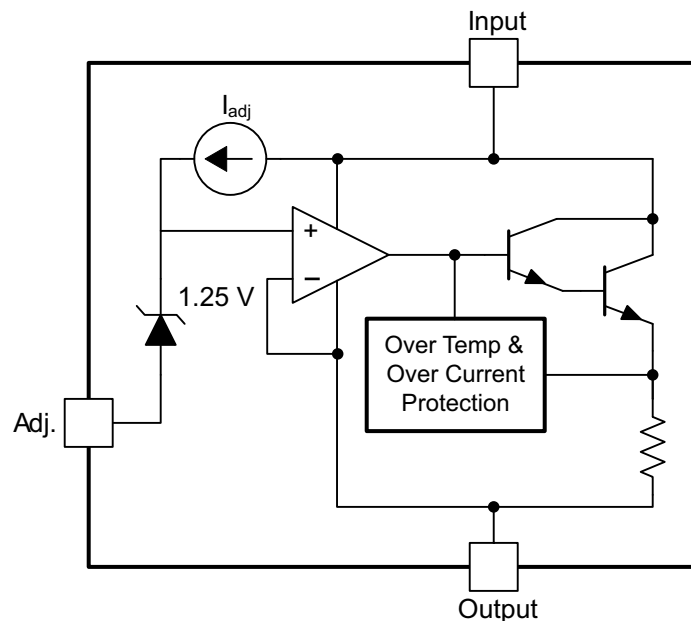
## 7 Detailed Description

### 7.1 Overview

The LM317 is an adjustable three-pin, positive-voltage regulator capable of supplying up to 1.5A over an output voltage range of 1.25V to 37V. The device requires only two external resistors to set the output voltage. The device features a typical line regulation of 0.01% and typical load regulation of 0.1%. The LM317 includes current limiting, thermal overload protection, and safe operating area protection. Overload protection remains functional even if the ADJUST pin is disconnected.

The LM317 is designed to minimize the  $I_{ADJUST}$  current and make this current constant with line and load changes. A 100 $\mu$ A current from the ADJUST pin represents an error term.

### 7.2 Functional Block Diagram



### 7.3 Feature Description

#### 7.3.1 NPN Darlington Output Drive

The NPN Darlington output topology provides naturally low output impedance and an output capacitor is optional. A 3V headroom is recommended ( $V_I - V_O$ ) to support maximum current and lowest temperature.

#### 7.3.2 Overload Block

Overcurrent and overtemperature shutdown protects the device against overload or damage from operating in excessive heat.

#### 7.3.3 Programmable Feedback

An op amp with a 1.25V offset input at the ADJUST pin provides easy output voltage or current programming (but not both). For current regulation applications, use a single resistor whose resistance value is  $1.25V / I_O$  and a power rating greater than  $(1.25V)^2 / R$ . For voltage regulation applications, two resistors set the output voltage.

## 7.4 Device Functional Modes

### 7.4.1 Normal Operation

The device OUTPUT pin sources current necessary to make the OUTPUT pin 1.25V greater than ADJUST pin to provide output regulation.

### 7.4.2 Operation With Low Input Voltage

The device requires up to 3V headroom ( $V_I - V_O$ ) to operate in regulation. The device potentially drops out and OUTPUT voltage becomes the INPUT voltage minus the dropout voltage with less headroom.

### 7.4.3 Operation at Light Loads

The device passes the bias current to the OUTPUT pin. Make sure the load or feedback consumes this minimum current for regulation or the output is potentially too high. See the [Electrical Characteristics](#) table for the minimum load current needed to maintain regulation.

### 7.4.4 Operation In Self Protection

When an overload occurs, the device shuts down the Darlington NPN output stage or reduces the output current to prevent device damage. The device automatically resets from the overload. The output is either reduced or alternates between on and off until the overload is removed.

## 8 Application and Implementation

### Note

Information in the following applications sections is not part of the TI component specification, and TI does not warrant its accuracy or completeness. TI's customers are responsible for determining suitability of components for their purposes, as well as validating and testing their design implementation to confirm system functionality.

### 8.1 Application Information

The flexibility of the LM317 allows the device to be configured to take on many different functions in DC power applications.

### 8.2 Typical Application

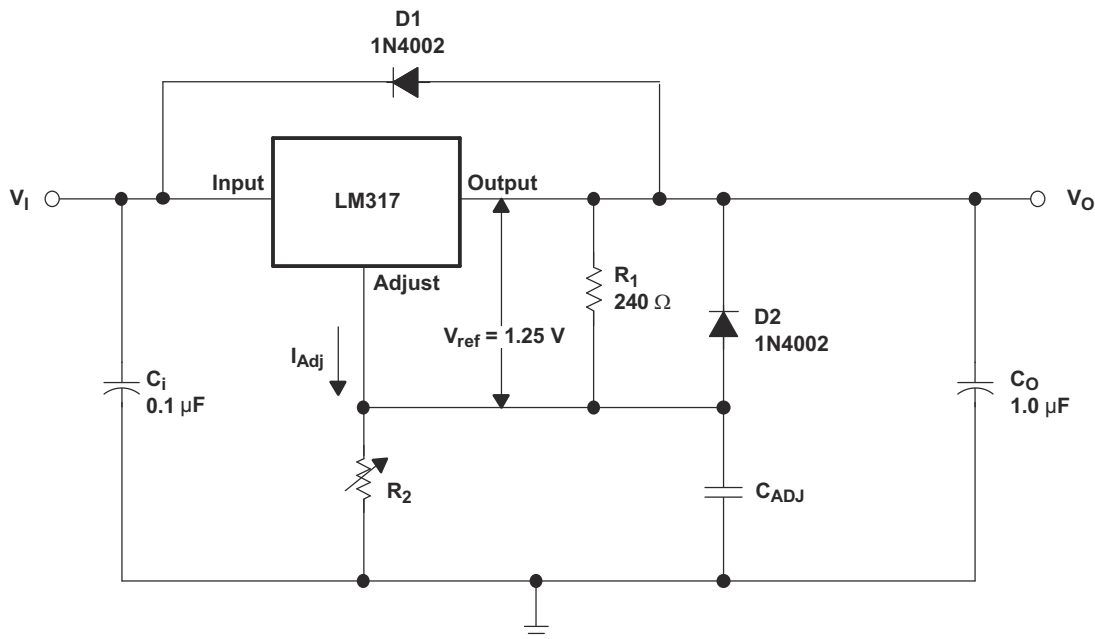


Figure 8-1. Adjustable Voltage Regulator

#### 8.2.1 Design Requirements

- R1 and R2 are required to set the output voltage.
- Use C<sub>ADJ</sub> to improve ripple rejection. C<sub>ADJ</sub> prevents amplification of the ripple when the output voltage is adjusted higher. The impact of C<sub>ADJ</sub> on the ripple rejection performance is captured in the [Electrical Characteristics](#) table.
- C<sub>i</sub> is recommended, particularly if the regulator is not in close proximity to the power-supply filter capacitors. A 0.1μF or 1μF ceramic or tantalum capacitor provides sufficient bypassing for most applications, especially when adjustment and output capacitors are used.
- C<sub>O</sub> improves transient response, but is not needed for stability.
- Protection diode D2 is recommended if C<sub>ADJ</sub> is used. The diode provides a low-impedance discharge path to prevent the capacitor from discharging into the output of the regulator.
- Protection diode D1 is recommended if C<sub>O</sub> is used. The diode provides a low-impedance discharge path to prevent the capacitor from discharging into the output of the regulator.

### 8.2.2 Detailed Design Procedure

$V_O$  is calculated as shown in Equation 2.  $I_{ADJ}$  is typically  $50\mu\text{A}$  and negligible in most applications.

$$V_O = V_{REF} (1 + R_2 / R_1) + (I_{ADJ} \times R_2) \quad (2)$$

### 8.2.3 Application Curves

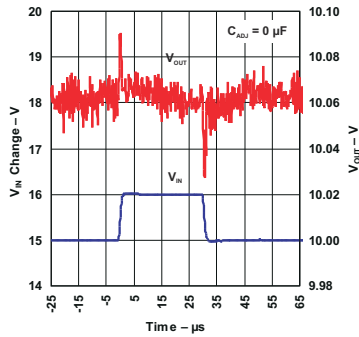


Figure 8-2. Line-Transient Response (Legacy Chip)

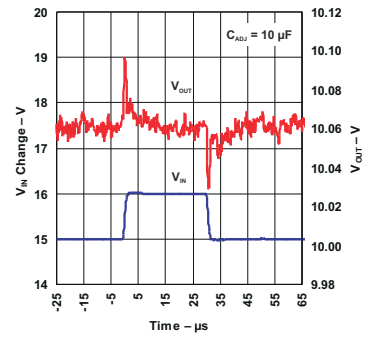


Figure 8-3. Line-Transient Response (Legacy Chip)

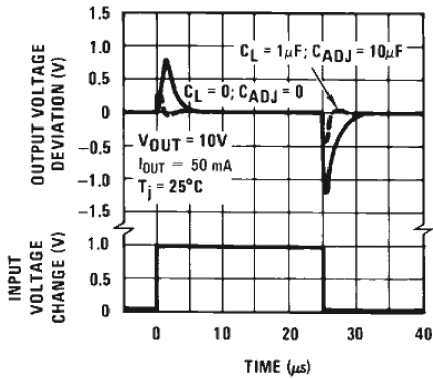


Figure 8-4. Line-Transient Response (New Chip)

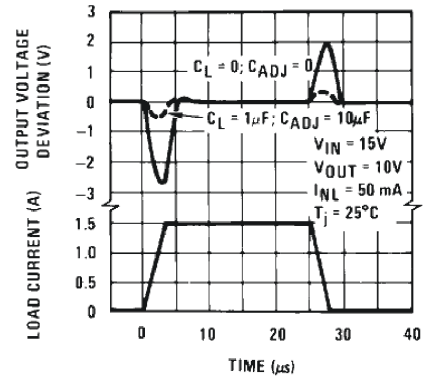


Figure 8-5. Load Transient Response (New Chip)



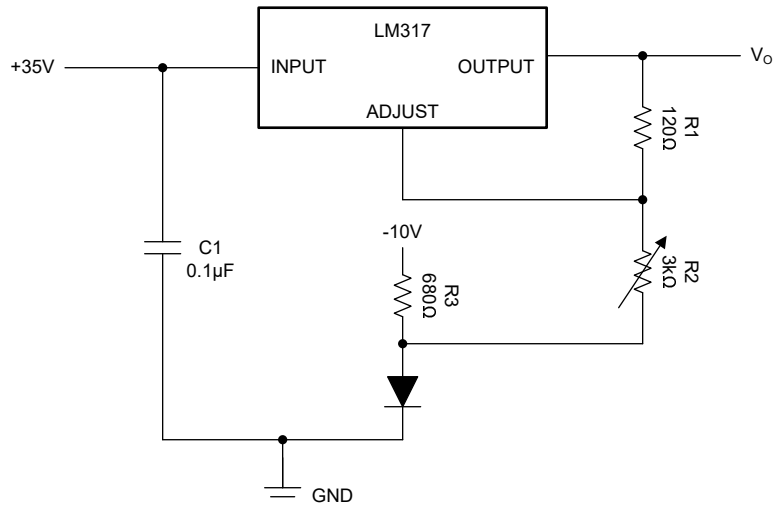
### 8.3 System Examples

#### 8.3.1 0V to 30V Regulator Circuit

Here, the voltage is determined by:

$$V_{\text{OUT}} = V_{\text{REF}} \left( 1 + \frac{R_2 + R_3}{R_1} \right) - 10\text{V} \quad (3)$$

By varying the voltage at the terminal of R3 (-10V in [Figure 8-6](#)),  $V_{\text{OUT}}$  is varied from 0V to 30V. In the absence of -10V, the  $V_{\text{OUT}}$  is only regulated to the lowest value of  $V_{\text{REF}}$  by making  $R_2 = 0\Omega$ .



**Figure 8-6. 0V to 30V Regulator Circuit**

### 8.3.2 Adjustable Regulator Circuit With Improved Ripple Rejection

As shown in Figure 8-7, C2 helps stabilize the voltage at the ADJUST pin, which helps reject noise. Diode D1 exists to discharge C2 in case the output is shorted to ground.

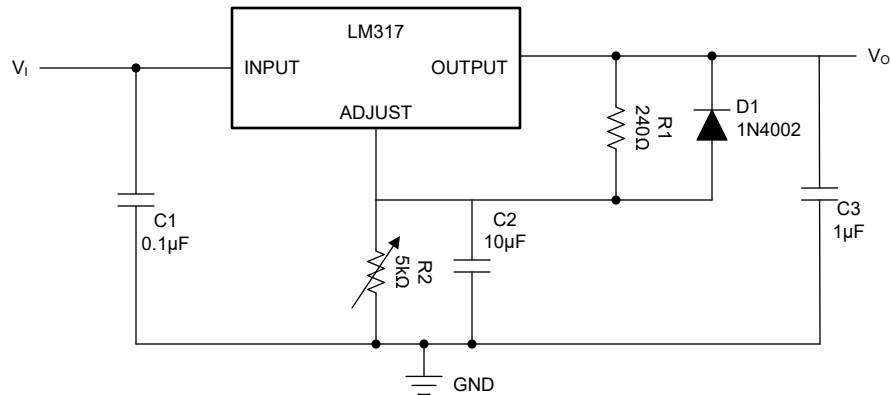


Figure 8-7. Adjustable Regulator Circuit with Improved Ripple Rejection

### 8.3.3 Precision Current-Limiter Circuit

This application limits the output current to  $I_{LIMIT}$  in Figure 8-8.

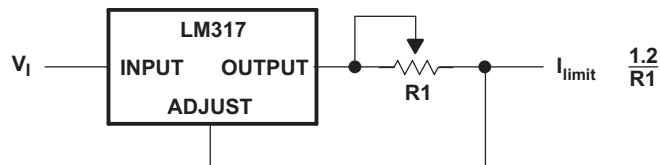


Figure 8-8. Precision Current-Limiter Circuit

### 8.3.4 Tracking Preregulator Circuit

This application keeps a constant voltage across the second LM317 in the circuit of Figure 8-9.

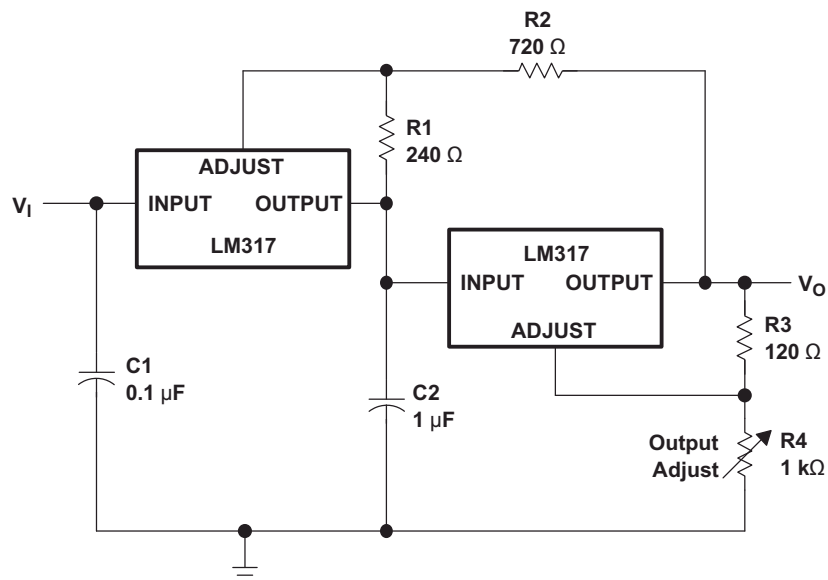


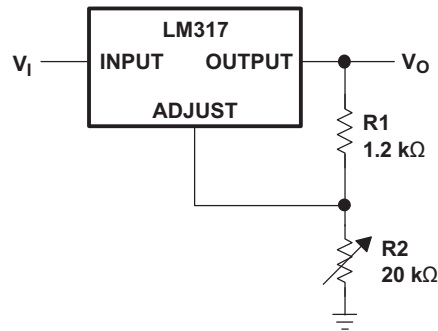
Figure 8-9. Tracking Preregulator Circuit

### 8.3.5 1.25V to 20V Regulator Circuit With Minimum Program Current

Because the value of  $V_{REF}$  is constant, the value of  $R_1$  determines the amount of current that flows through  $R_1$  and  $R_2$ . The size of  $R_2$  determines the IR drop from ADJUSTMENT to GND. Higher values of  $R_2$  translate to higher  $V_{OUT}$ . Equation 4, Equation 5, and Figure 8-10 illustrate this relationship.

$$V_{OUT} = V_{REF} \left( 1 + \frac{R_2}{R_1} \right) \quad (4)$$

$$(R_1 + R_2)_{min} = Vol_{reg(min)} \quad (5)$$



**Figure 8-10. 1.25V to 20V Regulator Circuit With Minimum Program Current**

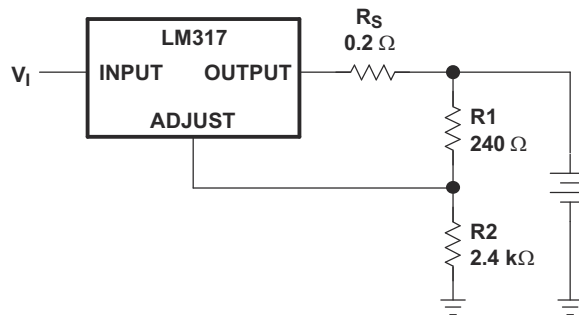
### 8.3.6 Battery-Charger Circuit

The series resistor limits the current output of the LM317, minimizing damage to the battery cell.

$$V_{OUT} = 1.25 \text{ V} \times \left( 1 + \frac{R_2}{R_1} \right) \quad (6)$$

$$I_{OUT(short)} = \frac{1.25\text{V}}{R_S} \quad (7)$$

$$\text{Output Impedance} = R_S \times \left( 1 + \frac{R_2}{R_1} \right) \quad (8)$$



**Figure 8-11. Battery-Charger Circuit**

### 8.3.7 50mA, Constant-Current, Battery-Charger Circuit

Use the current-limit operation mode to trickle charge a battery at a fixed current.  $I_{CHG} = 1.25V \div 24\Omega$ . Make sure  $V_I$  is greater than  $V_{BAT} + 4.25V$ . ( $1.25V [V_{REF}] + 3V [headroom]$ ). Figure 8-12 shows a diagram of a battery-charger circuit.

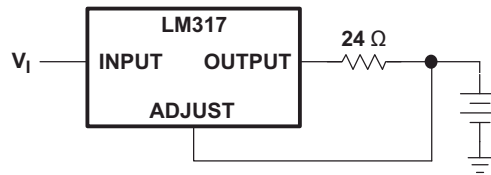


Figure 8-12. 50mA, Constant-Current, Battery-Charger Circuit

### 8.3.8 Slow Turn-On 15V Regulator Circuit

The capacitor C1, in combination with the PNP transistor, helps the circuit (Figure 8-13) to slowly start supplying voltage. In the beginning, the capacitor is not charged. Therefore, the output voltage starts at  $V_{C1} + V_{BE} + 1.25V = 0V + 0.65V + 1.25V = 1.9V$ . When the capacitor voltage rises,  $V_{OUT}$  rises at the same rate. When the output voltage reaches the value determined by R1 and R2, the PNP is turned off.

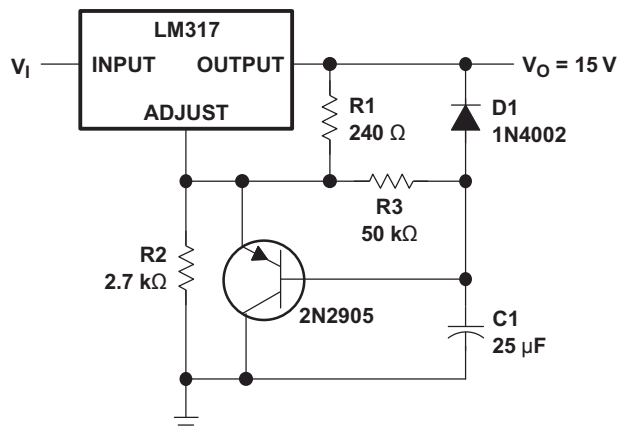


Figure 8-13. Slow Turn-On 15V Regulator Circuit

### 8.3.9 AC Voltage-Regulator Circuit

Figure 8-14 shows a circuit employing two LM317 devices. These two LM317 devices regulate both the positive and negative swings of a sinusoidal AC input.

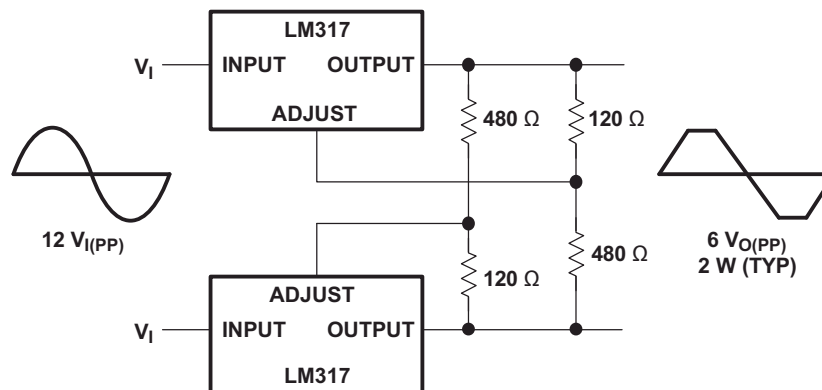
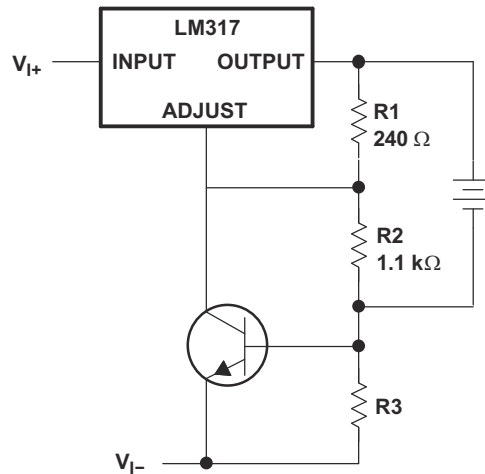


Figure 8-14. AC Voltage-Regulator Circuit

### 8.3.10 Current-Limited 6V Charger Circuit

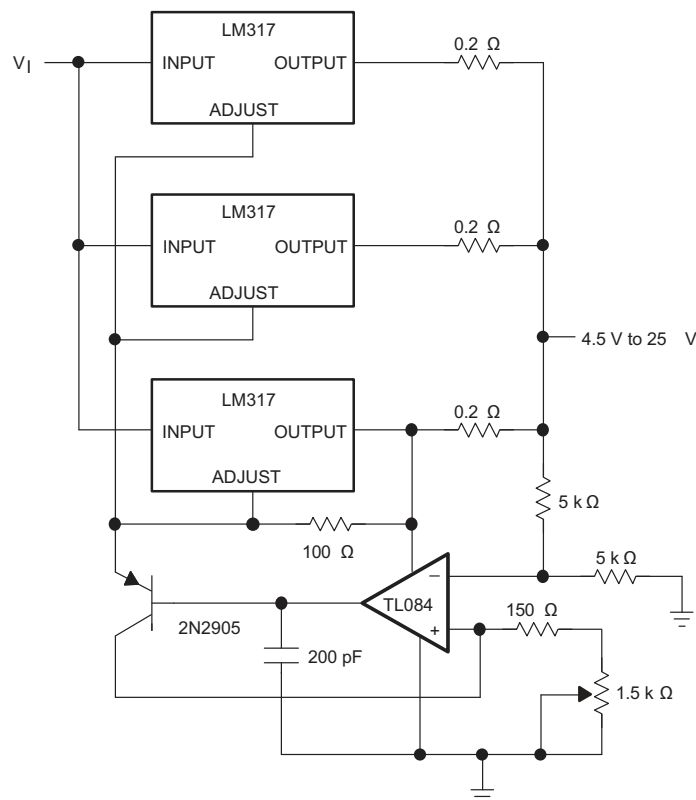
When charge current increases, the voltage at the bottom resistor increases until the NPN starts sinking current from the ADJUST pin. The voltage at the ADJUST pin drops, and consequently the output voltage decreases until the NPN stops conducting. [Figure 8-15](#) shows the current-limited circuit.



**Figure 8-15. Current-Limited 6V Charger Circuit**

### 8.3.11 Adjustable 4A Regulator Circuit

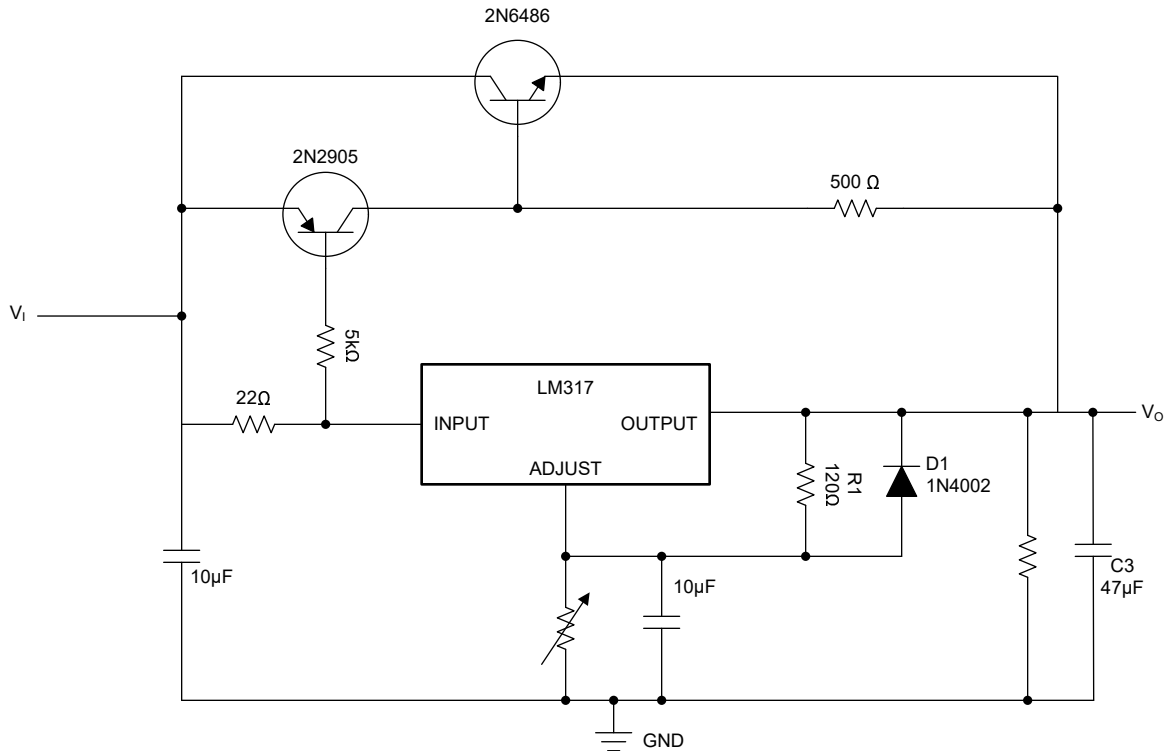
This application keeps the output current at 4A while having the ability to adjust the output voltage using the adjustable (1.5kΩ in [Figure 8-16](#)) resistor.



**Figure 8-16. Adjustable 4A Regulator Circuit**

### 8.3.12 High-Current Adjustable Regulator Circuit

The PNP (2N2905) and NPN (2N6486) at the top of [Figure 8-17](#) allow higher currents at  $V_{OUT}$  than the LM317 provides. Meanwhile, the output voltage remains at levels determined by the ADJUST pin resistor divider of the LM317.



**Figure 8-17. High-Current Adjustable Regulator Circuit**

## 8.4 Power Supply Recommendations

The LM317 is designed to operate from an input voltage supply range between 1.25V to 37V greater than the output voltage. If the device is more than six inches from the input filter capacitors, use an input bypass capacitor of any type for stability. Make sure this capacitor is 0.1µF or greater.

## 8.5 Layout

### 8.5.1 Layout Guidelines

- Bypass the input pin to ground with a bypass capacitor.
- The optimum placement is closest to the input pin of the device and the system GND. Take care to minimize the loop area formed by the bypass-capacitor connection, the input pin, and the system GND.
- For operation at full rated load, use wide trace lengths to eliminate  $I \times R$  drop and heat dissipation.

#### 8.5.1.1 Thermal Considerations

##### 8.5.1.1.1 Heat Sink Requirements

The LM317 (new chip) regulators have internal thermal shutdown to protect the device from overheating. Under all operating conditions, make sure the device junction temperature does not exceed the rated maximum junction temperature ( $T_J$ ) of 125°C for the LM317 (new chip). A heat sink is required depending on the maximum device power dissipation and the maximum ambient temperature of the application. To determine if a heat sink is needed, [Equation 9](#) calculates the power dissipated by the regulator,  $P_D$ .

$$P_D = ((V_{IN} - V_{OUT}) \times I_L) + (V_{IN} \times I_G) \tag{9}$$

[Figure 8-18](#) shows the voltage and currents that are present in the circuit.

[Equation 10](#) calculates the next parameter, which is the maximum allowable temperature rise,  $T_{R(MAX)}$ .

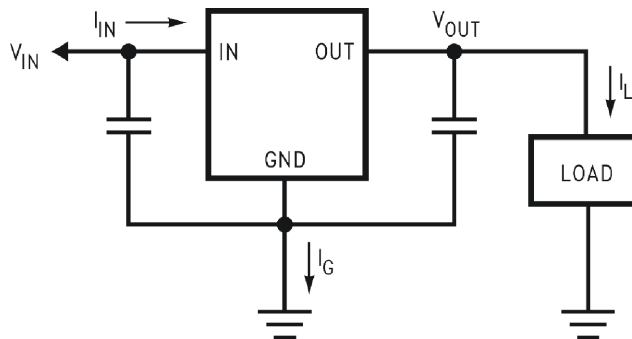
$$T_{R(MAX)} = T_{J(MAX)} - T_{A(MAX)} \tag{10}$$

where:

- $T_{J(MAX)}$  is the maximum allowable junction temperature (125°C for the LM317, new chip)
- $T_{A(MAX)}$  is the maximum ambient temperature encountered in the application

Using the calculated values for  $T_{R(MAX)}$  and  $P_D$ , [Equation 11](#) calculates the maximum allowable value for the junction-to-ambient thermal resistance ( $R_{\theta JA}$ ).

$$R_{\theta JA} = (T_{R(MAX)} / P_D) \tag{11}$$



**Figure 8-18. Power Dissipation Diagram**

If the calculated maximum allowable thermal resistance is higher than the actual package rating, then no additional work is needed. If the calculated maximum allowable thermal resistance is lower than the actual package rating, correct this issue. Either reduce  $P_D$  or  $T_{A(MAX)}$ , or lower  $R_{\theta JA}$  by adding a heat sink, or some combination thereof.  $P_D$  is the device power dissipation,  $T_{A(MAX)}$  is the maximum ambient temperature, and  $R_{\theta JA}$  is the device thermal resistance.

Equation 12 calculates the value if a heat sink is needed.

$$\theta_{HA} \leq (R_{\theta JA} - (\theta_{CH} + R_{\theta JC})) \quad (12)$$

where:

- $\theta_{CH}$  is the thermal resistance of the contact area between the device case and the heat sink surface
- $R_{\theta JC}$  is thermal resistance from the junction of the die to the surface of the package case

When a value for  $\theta_{HA}$  is calculated, select a heat sink with a value that is less than, or equal to, this number.

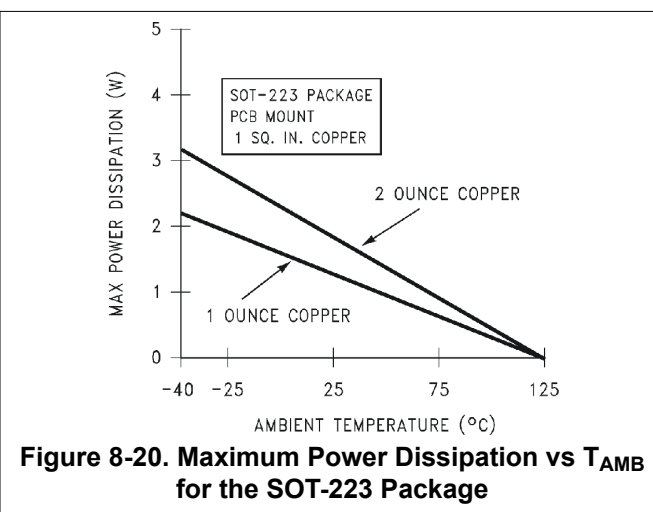
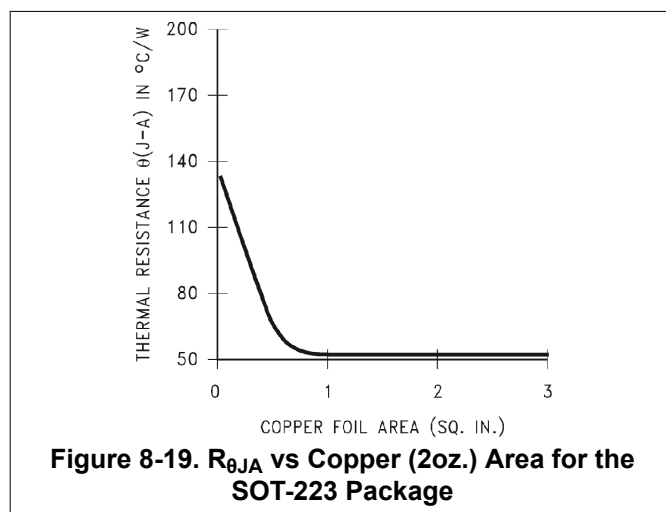
The  $\theta_{HA}$  rating is specified numerically by the heat sink manufacturer in the catalog, or given in a curve plotting temperature rise versus power dissipation for the heat sink.

#### 8.5.1.1.2 Heat Sinking Surface-Mount Packages

The TO-263 (KTT), SOT-223 (DCY), and TO-220 (KCS, KCT) packages use a copper plane on the PCB and the PCB as a heat sink. To optimize the heat sinking ability of the plane and PCB, solder the tab of the package to the plane.

##### 8.5.1.1.2.1 Heatsinking the SOT-223 (DCY) Package

Figure 8-19 and Figure 8-20 show information for the SOT-223 package. Figure 8-20 assumes a  $R_{\theta JA}$  of 74°C/W for 1oz. copper and 59.6°C/W for 2oz. copper (further details are in Section 6.5) and a maximum junction temperature of 125°C. See the [AN-1028 Maximum Power Enhancement Techniques for Power Packages application note](#) for thermal enhancement techniques to be used with the SOT-223 and TO-252 packages.

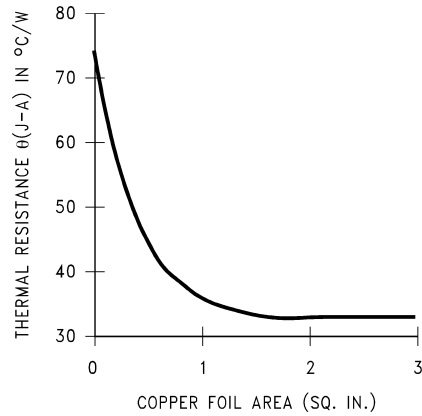




**8.5.1.1.2.2 Heat Sinking the TO-263 (KTT) Package**

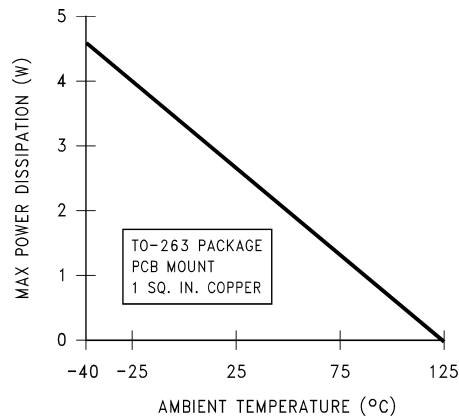
Figure 8-21 shows the TO-263 measured values of  $R_{\theta JA}$  for different copper area sizes using a typical PCB with 1oz. copper. This figure also shows no solder mask over the copper area used for heat sinking.

As shown in Figure 8-21, increasing the copper area beyond 1 square inch produces very little improvement. The minimum value of  $R_{\theta JA}$  for the TO-263 package mounted to a PCB is 32°C/W.



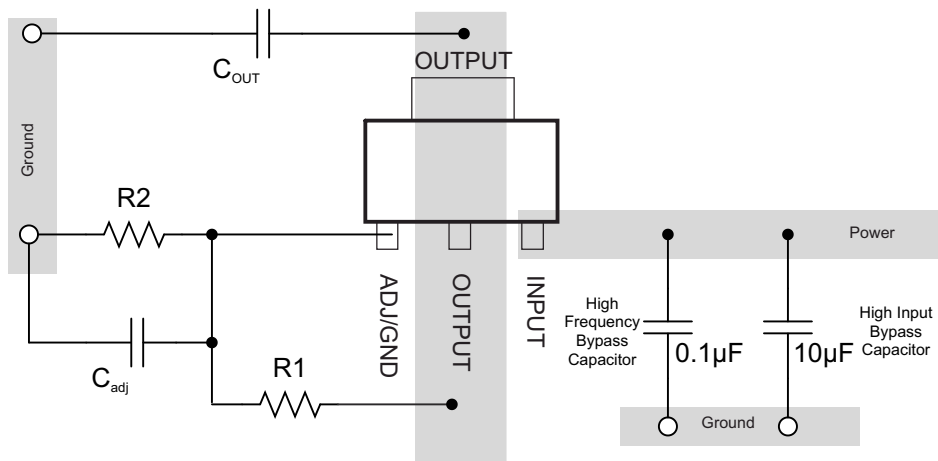
**Figure 8-21.  $R_{\theta JA}$  vs Copper (1-oz.) Area for the TO-263 Package**

As a design aid, Figure 8-22 shows the maximum allowable power dissipation compared to ambient temperature for the TO-263 device. This figure assumes  $R_{\theta JA}$  is 35°C/W and the maximum junction temperature is 125°C.

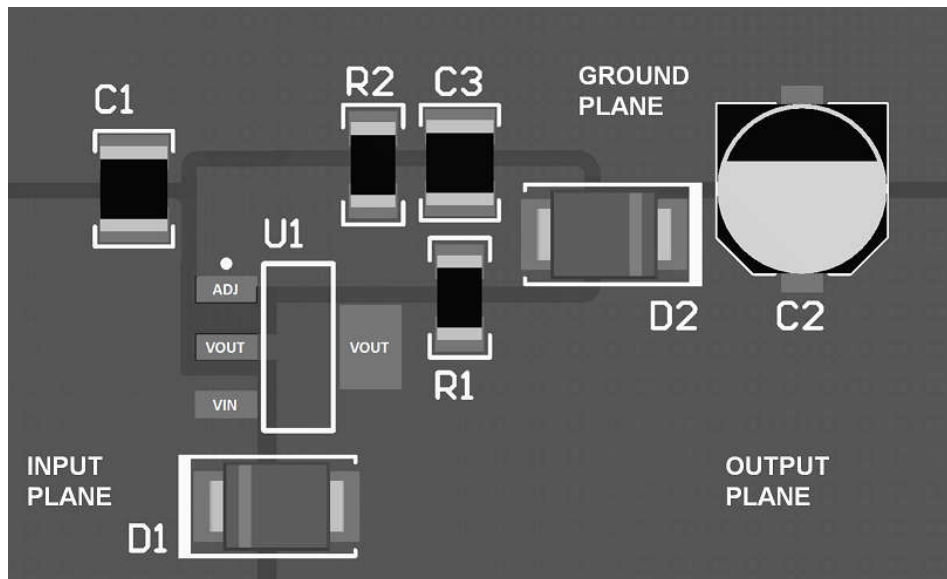


**Figure 8-22. Maximum Power Dissipation vs  $T_{AMB}$  for the TO-263 Package**

**8.5.2 Layout Examples**



**Figure 8-23. Layout Example (Legacy Chip)**



**Figure 8-24. SOT-223 Layout Example (New Chip)**

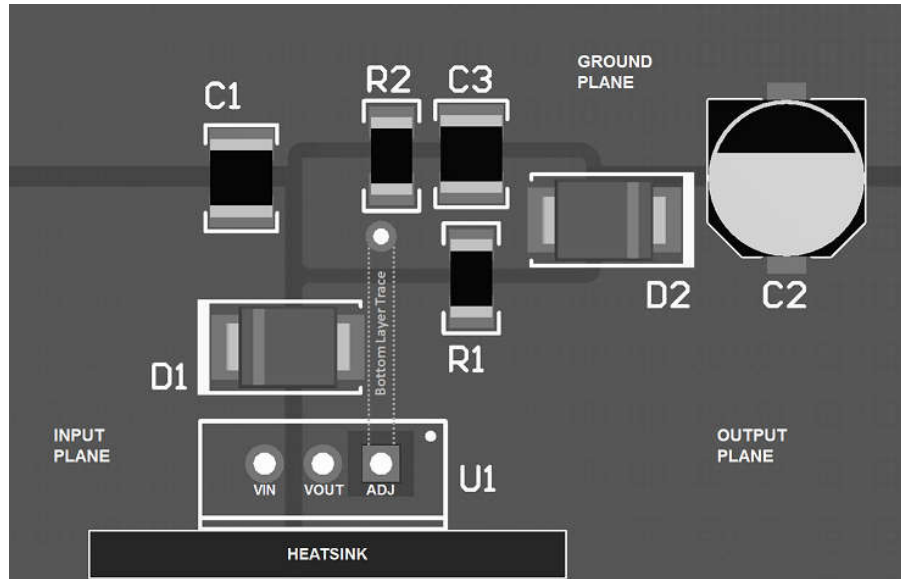


Figure 8-25. TO-220 Layout Example (New Chip)

## 9 Device and Documentation Support

### 9.1 Device Support

#### 9.1.1 Device Nomenclature

##### Device Nomenclature

PRODUCT <sup>(1)</sup>	V <sub>OUT</sub>
LM317yyyz	<p><b>yyy</b> is the package designator.  <b>z</b> is the package quantity designator.            Devices ship with either the legacy chip (CSO: SHE) or the new chip (CSO: FFAB). The reel packaging label provides CSO information to distinguish which chip is used. Device performance for new and legacy chips is denoted throughout the data sheet.</p>

- (1) For the most current package and ordering information see the Package Option Addendum at the end of this document, or visit the device product folder at [www.ti.com](http://www.ti.com).

### 9.2 Receiving Notification of Documentation Updates

To receive notification of documentation updates, navigate to the device product folder on [ti.com](http://ti.com). Click on *Notifications* to register and receive a weekly digest of any product information that has changed. For change details, review the revision history included in any revised document.

### 9.3 Support Resources

[TI E2E™ support forums](#) are an engineer's go-to source for fast, verified answers and design help — straight from the experts. Search existing answers or ask your own question to get the quick design help you need.

Linked content is provided "AS IS" by the respective contributors. They do not constitute TI specifications and do not necessarily reflect TI's views; see TI's [Terms of Use](#).

### 9.4 Trademarks

TI E2E™ is a trademark of Texas Instruments.

All trademarks are the property of their respective owners.

### 9.5 Electrostatic Discharge Caution



This integrated circuit can be damaged by ESD. Texas Instruments recommends that all integrated circuits be handled with appropriate precautions. Failure to observe proper handling and installation procedures can cause damage.

ESD damage can range from subtle performance degradation to complete device failure. Precision integrated circuits may be more susceptible to damage because very small parametric changes could cause the device not to meet its published specifications.

### 9.6 Glossary

[TI Glossary](#) This glossary lists and explains terms, acronyms, and definitions.

## 10 Revision History

NOTE: Page numbers for previous revisions may differ from page numbers in the current version.

<b>Changes from Revision Y (April 2020) to Revision Z (April 2025)</b>	<b>Page</b>
• Updated the numbering format for tables, figures, and cross-references throughout the document.....	1
• Added new silicon devices to document.....	1
• Added new silicon curves to <i>Typical Characteristics</i> section .....	1
• Changed <i>Features, Applications, and Description</i> sections.....	1
• Added <i>LM317 (New Chip)</i> column to <i>Device Comparison Table</i> .....	4
• Changed DCY pinout drawing and INPUT and OUTPUT description in <i>Pin Functions</i> table.....	5
• Added <i>Power dissipation</i> row to <i>Absolute Maximum Ratings</i> table.....	6
• Added new chip information to <i>ESD Ratings</i> table.....	6
• Added <i>Thermal Information (New Chip)</i> table.....	7
• Changed <i>Electrical Characteristics</i> table.....	8
• Changed ADJUST pin current discussion in second paragraph of <i>Overview</i> section.....	13
• Added effect of $C_{ADJ}$ on ripple rejection discussion to second bullet of <i>Design Requirements</i> .....	15
• Added new silicon curves to <i>Application Curves</i> .....	16
• Deleted $-10V$ from Equation 2.....	19
• Changed <i>The NPNs</i> to <i>The PNP (2N2905) and NPN (2N6486)</i> in <i>High-Current Adjustable Regulator Circuit</i> section.....	22
• Added <i>Thermal Considerations</i> section and subsections.....	23

---

<b>Changes from Revision X (September 2016) to Revision Y (April 2020)</b>	<b>Page</b>
• Added <i>Device Comparison Table</i> .....	4
• Changed $V_{IN}$ to $I_{OUT}$ in <i>Load Transient Response</i> figures.....	9
• Added missing caption to second y-axis in second <i>Load Transient Response</i> figure.....	9
• Changed $V_{OUT}$ and output impedance equations in <i>Battery-Charger Circuit</i> section.....	19

---

## 11 Mechanical, Packaging, and Orderable Information

The following pages include mechanical, packaging, and orderable information. This information is the most current data available for the designated devices. This data is subject to change without notice and revision of this document. For browser-based versions of this data sheet, refer to the left-hand navigation.

**PACKAGING INFORMATION**

Orderable part number	Status (1)	Material type (2)	Package   Pins	Package qty   Carrier	RoHS (3)	Lead finish/ Ball material (4)	MSL rating/ Peak reflow (5)	Op temp (°C)	Part marking (6)
<a href="#">LM317DCY</a>	Active	Production	SOT-223 (DCY)   4	80   TUBE	Yes	SN	Level-2-260C-1 YEAR	0 to 125	L3
LM317DCY.Z	Active	Production	SOT-223 (DCY)   4	80   TUBE	Yes	SN	Level-2-260C-1 YEAR	0 to 125	L3
LM317DCYRG3	Active	Production	SOT-223 (DCY)   4	80   TUBE	Yes	SN	Level-2-260C-1 YEAR	0 to 125	L3
<a href="#">LM317DCYR</a>	Active	Production	SOT-223 (DCY)   4	2500   LARGE T&R	Yes	SN	Level-2-260C-1 YEAR	0 to 125	L3
LM317DCYR.Z	Active	Production	SOT-223 (DCY)   4	2500   LARGE T&R	Yes	SN	Level-2-260C-1 YEAR	0 to 125	L3
LM317DCYRG3	Active	Production	SOT-223 (DCY)   4	2500   LARGE T&R	Yes	SN	Level-2-260C-1 YEAR	0 to 125	L3
<a href="#">LM317KCS</a>	Active	Production	TO-220 (KCS)   3	50   TUBE	Yes	SN	N/A for Pkg Type	0 to 125	LM317
LM317KCS.E3	Active	Production	TO-220 (KCS)   3	50   TUBE	Yes	SN	N/A for Pkg Type	0 to 125	LM317
<a href="#">LM317KTTR</a>	Active	Production	DDPAK/ TO-263 (KTT)   3	500   LARGE T&R	Yes	SN	Level-3-245C-168 HR	0 to 125	LM317
LM317KTTR.Z	Active	Production	DDPAK/ TO-263 (KTT)   3	500   LARGE T&R	Yes	SN	Level-3-245C-168 HR	0 to 125	LM317
LM317KTTRG3	Active	Production	DDPAK/ TO-263 (KTT)   3	500   LARGE T&R	Yes	SN	Level-3-245C-168 HR	0 to 125	LM317

(1) **Status:** For more details on status, see our [product life cycle](#).

(2) **Material type:** When designated, preproduction parts are prototypes/experimental devices, and are not yet approved or released for full production. Testing and final process, including without limitation quality assurance, reliability performance testing, and/or process qualification, may not yet be complete, and this item is subject to further changes or possible discontinuation. If available for ordering, purchases will be subject to an additional waiver at checkout, and are intended for early internal evaluation purposes only. These items are sold without warranties of any kind.

(3) **RoHS values:** Yes, No, RoHS Exempt. See the [TI RoHS Statement](#) for additional information and value definition.

(4) **Lead finish/Ball material:** Parts may have multiple material finish options. Finish options are separated by a vertical ruled line. Lead finish/Ball material values may wrap to two lines if the finish value exceeds the maximum column width.

(5) **MSL rating/Peak reflow:** The moisture sensitivity level ratings and peak solder (reflow) temperatures. In the event that a part has multiple moisture sensitivity ratings, only the lowest level per JEDEC standards is shown. Refer to the shipping label for the actual reflow temperature that will be used to mount the part to the printed circuit board.

(6) **Part marking:** There may be an additional marking, which relates to the logo, the lot trace code information, or the environmental category of the part.

Multiple part markings will be inside parentheses. Only one part marking contained in parentheses and separated by a "~" will appear on a part. If a line is indented then it is a continuation of the previous line and the two combined represent the entire part marking for that device.

**Important Information and Disclaimer:** The information provided on this page represents TI's knowledge and belief as of the date that it is provided. TI bases its knowledge and belief on information provided by third parties, and makes no representation or warranty as to the accuracy of such information. Efforts are underway to better integrate information from third parties. TI has taken and continues to take reasonable steps to provide representative and accurate information but may not have conducted destructive testing or chemical analysis on incoming materials and chemicals. TI and TI suppliers consider certain information to be proprietary, and thus CAS numbers and other limited information may not be available for release.

In no event shall TI's liability arising out of such information exceed the total purchase price of the TI part(s) at issue in this document sold by TI to Customer on an annual basis.

## TAPE AND REEL INFORMATION



### QUADRANT ASSIGNMENTS FOR PIN 1 ORIENTATION IN TAPE



\*All dimensions are nominal

Device	Package Type	Package Drawing	Pins	SPQ	Reel Diameter (mm)	Reel Width W1 (mm)	A0 (mm)	B0 (mm)	K0 (mm)	P1 (mm)	W (mm)	Pin1 Quadrant
LM317DCYR	SOT-223	DCY	4	2500	330.0	12.4	6.55	7.25	1.9	8.0	12.0	Q3
LM317DCYR	SOT-223	DCY	4	2500	330.0	12.4	7.05	7.4	1.9	8.0	12.0	Q3
LM317KTTR	DDPAK/ TO-263	KTT	3	500	330.0	24.4	10.8	16.3	5.11	16.0	24.0	Q2



**TAPE AND REEL BOX DIMENSIONS**


\*All dimensions are nominal

Device	Package Type	Package Drawing	Pins	SPQ	Length (mm)	Width (mm)	Height (mm)
LM317DCYR	SOT-223	DCY	4	2500	336.0	336.0	48.0
LM317DCYR	SOT-223	DCY	4	2500	340.0	340.0	38.0
LM317KTTR	DDPAK/TO-263	KTT	3	500	340.0	340.0	38.0

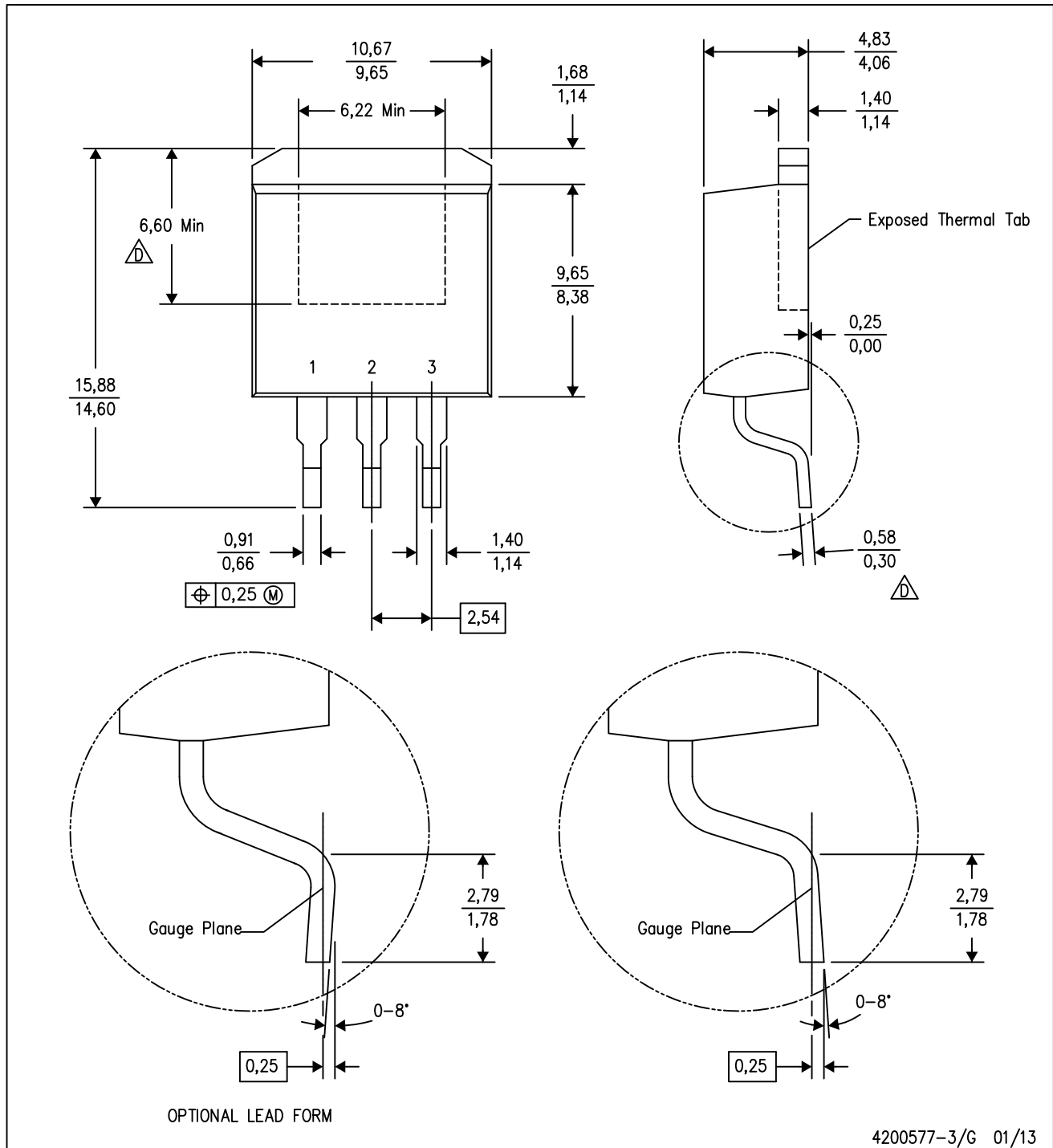
**TUBE**


\*All dimensions are nominal

Device	Package Name	Package Type	Pins	SPQ	L (mm)	W (mm)	T (μm)	B (mm)
LM317DCY	DCY	SOT-223	4	80	559	8.6	500	3.6
LM317DCY	DCY	SOT-223	4	80	542.9	8.6	3606	2.67
LM317DCY.Z	DCY	SOT-223	4	80	559	8.6	500	3.6
LM317DCY.Z	DCY	SOT-223	4	80	542.9	8.6	3606	2.67
LM317DCYG3	DCY	SOT-223	4	80	542.9	8.6	3606	2.67
LM317DCYG3	DCY	SOT-223	4	80	559	8.6	500	3.6
LM317KCS	KCS	TO-220	3	50	532	34.1	700	9.6
LM317KCS	KCS	TO-220	3	50	532	34.1	700	9.6
LM317KCSE3	KCS	TO-220	3	50	532	34.1	700	9.6
LM317KCSE3	KCS	TO-220	3	50	532	34.1	700	9.6

KTT (R-PSFM-G3)

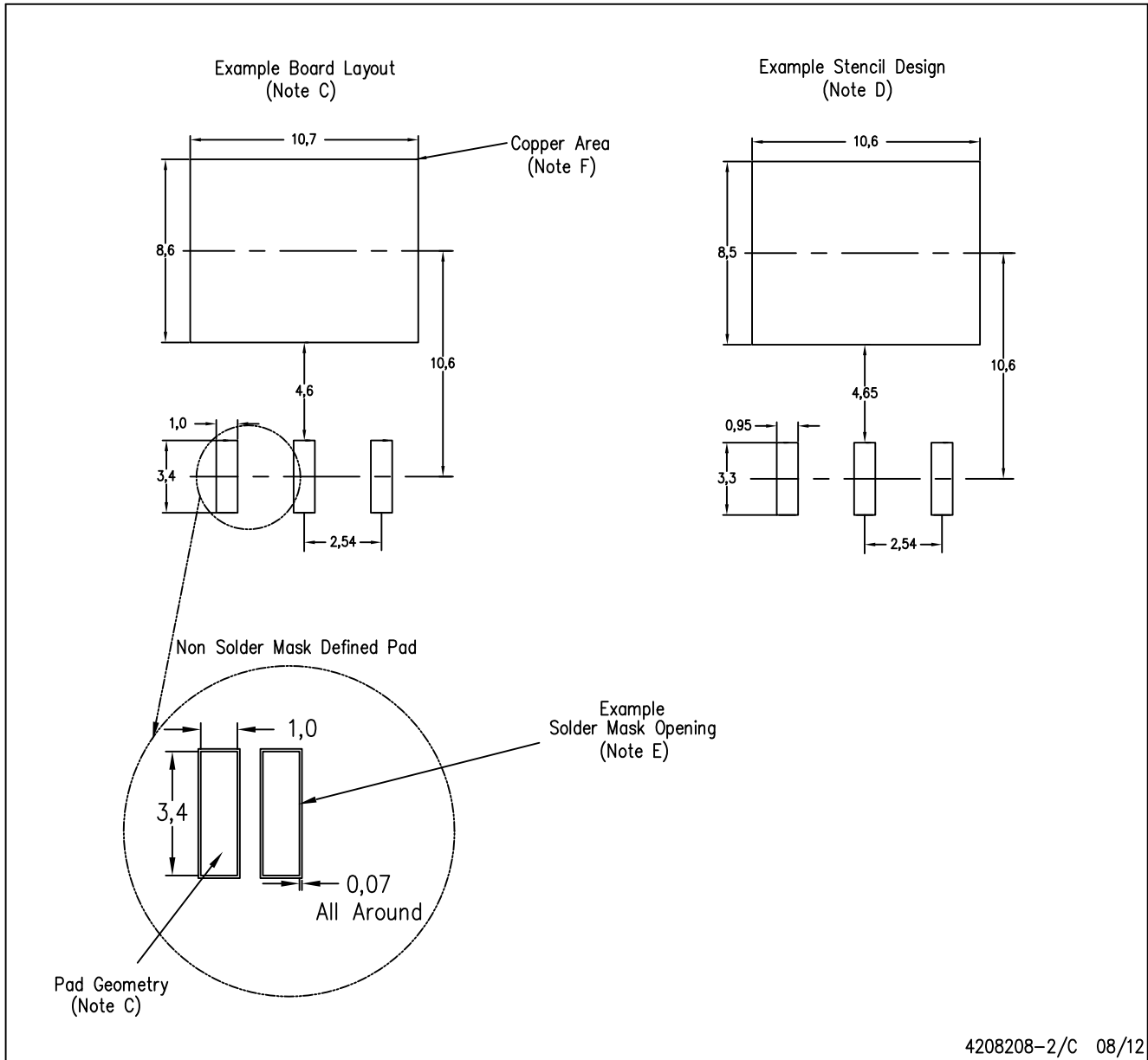
PLASTIC FLANGE-MOUNT PACKAGE



- NOTES:
- A. All linear dimensions are in millimeters.
  - B. This drawing is subject to change without notice.
  - C. Body dimensions do not include mold flash or protrusion. Mold flash or protrusion not to exceed 0.005 (0,13) per side.
- $\triangle$  Falls within JEDEC TO-263 variation AA, except minimum lead thickness and minimum exposed pad length.

KTT (R-PSFM-G3)

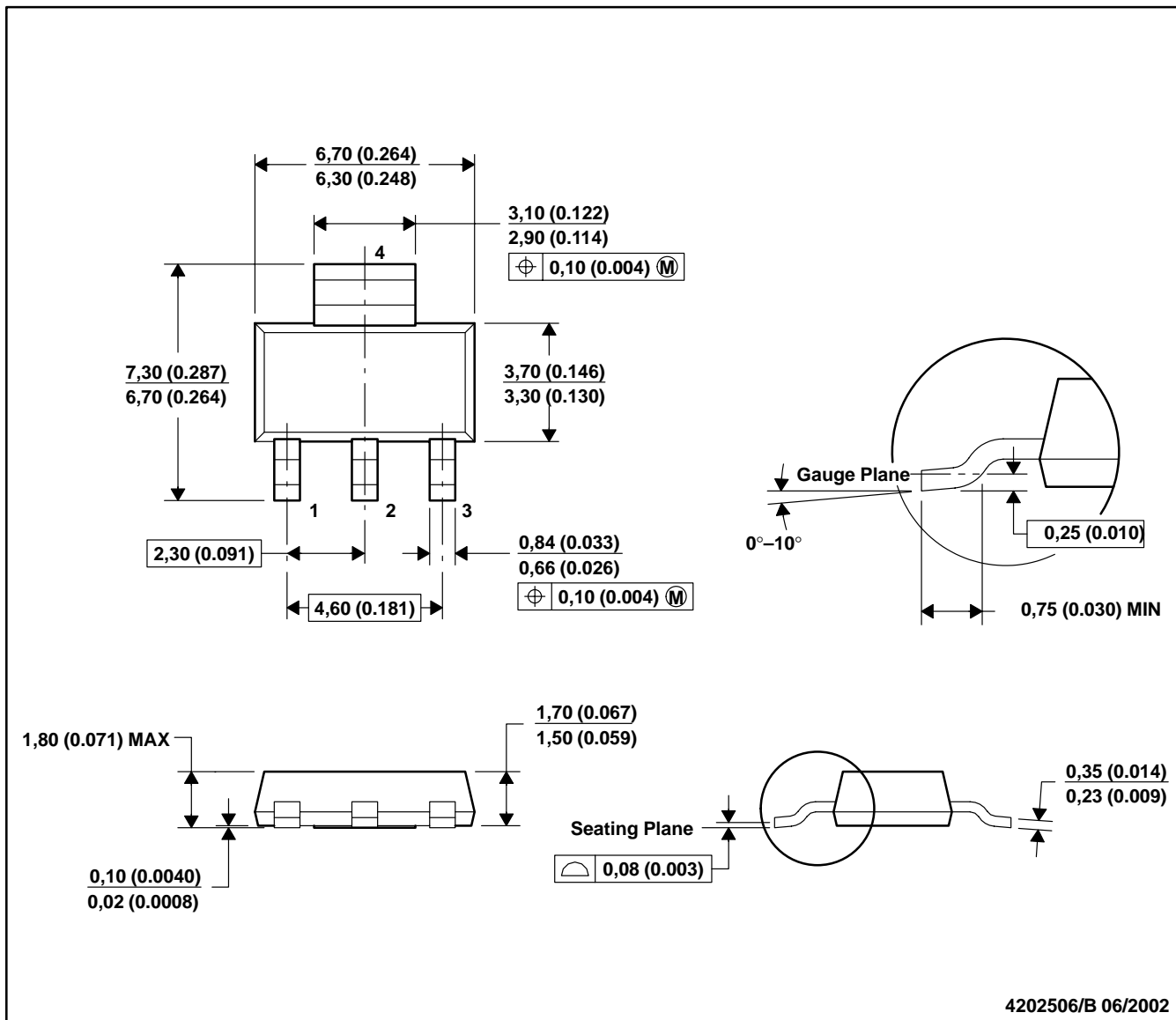
PLASTIC FLANGE-MOUNT PACKAGE



- NOTES:
- All linear dimensions are in millimeters.
  - This drawing is subject to change without notice.
  - Publication IPC-SM-782 is recommended for alternate designs.
  - Laser cutting apertures with trapezoidal walls and also rounding corners will offer better paste release. Customers should contact their board assembly site for stencil design recommendations. Refer to IPC-7525.
  - Customers should contact their board fabrication site for solder mask tolerances between and around signal pads.
  - This package is designed to be soldered to a thermal pad on the board. Refer to the Product Datasheet for specific thermal information, via requirements, and recommended thermal pad size. For thermal pad sizes larger than shown a solder mask defined pad is recommended in order to maintain the solderable pad geometry while increasing copper area.

DCY (R-PDSO-G4)

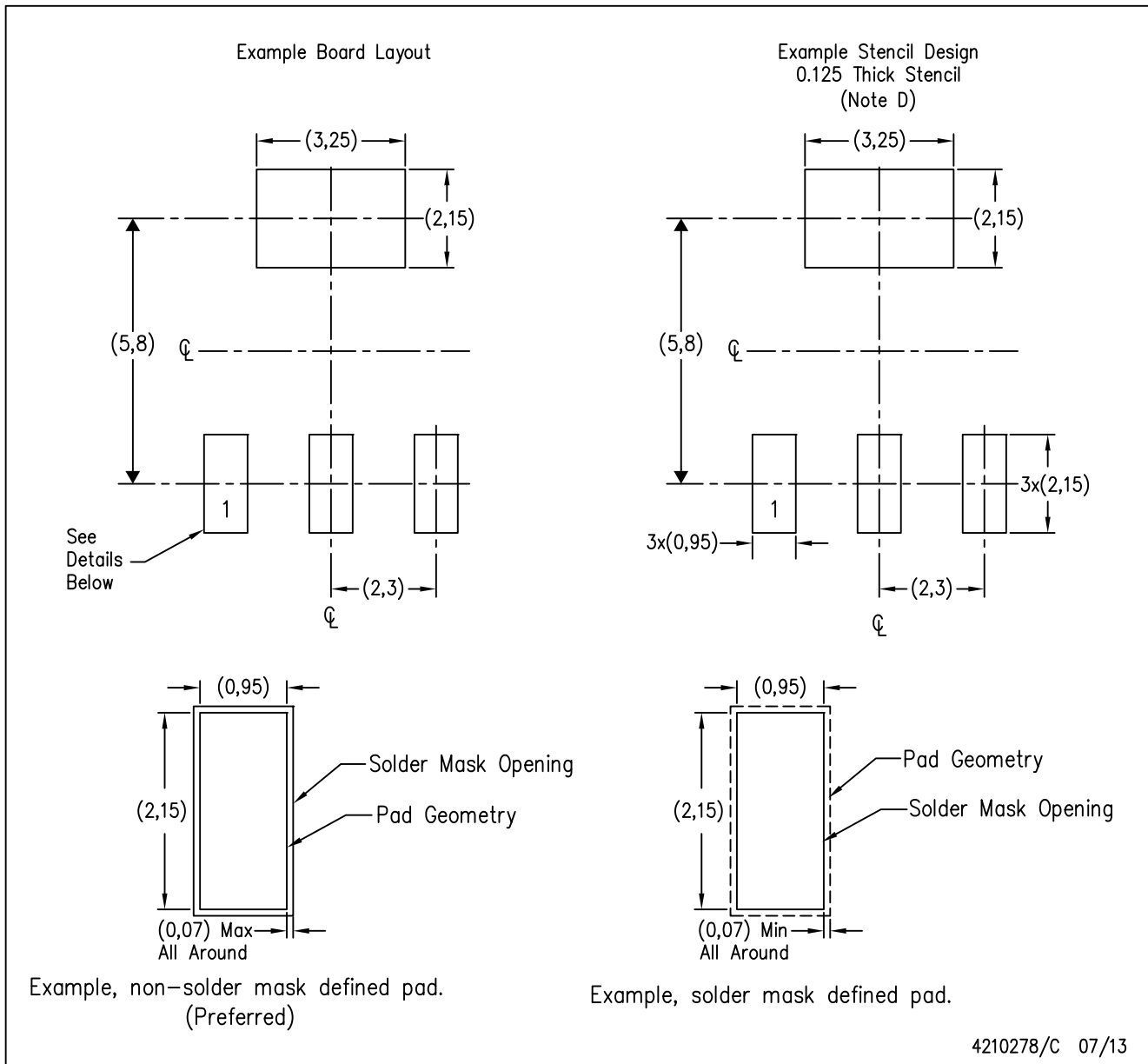
PLASTIC SMALL-OUTLINE



- NOTES: A. All linear dimensions are in millimeters (inches).  
 B. This drawing is subject to change without notice.  
 C. Body dimensions do not include mold flash or protrusion.  
 D. Falls within JEDEC TO-261 Variation AA.

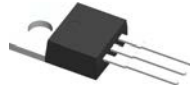
DCY (R-PDSO-G4)

PLASTIC SMALL OUTLINE



- NOTES:
- A. All linear dimensions are in millimeters.
  - B. This drawing is subject to change without notice.
  - C. Publication IPC-7351 is recommended for alternate designs.
  - D. Laser cutting apertures with trapezoidal walls and also rounding corners will offer better paste release. Customers should contact their board assembly site for stencil recommendations. Refer to IPC 7525 for stencil design considerations.

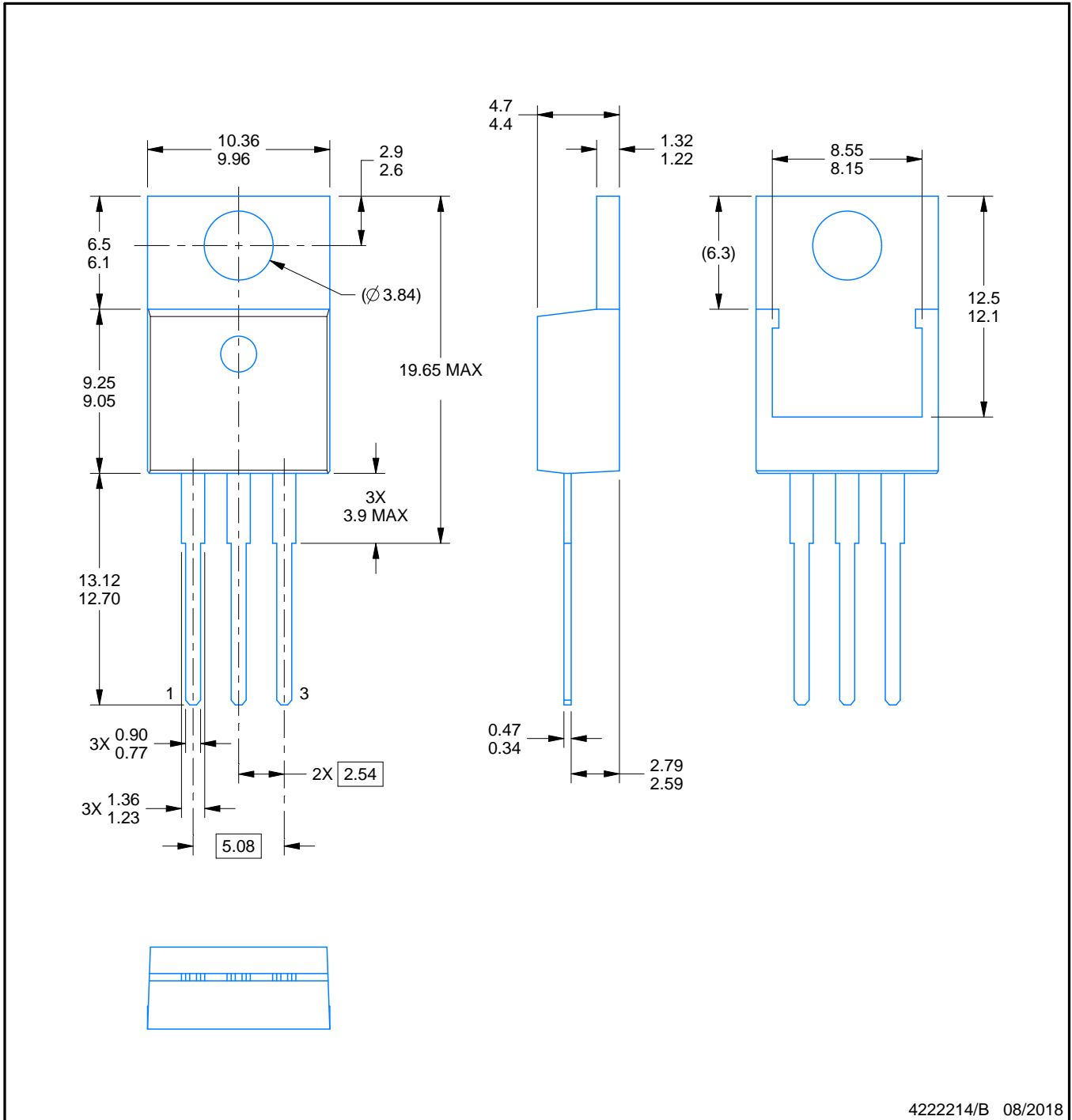
# KCS0003B



# PACKAGE OUTLINE

TO-220 - 19.65 mm max height

TO-220



4222214/B 08/2018

**NOTES:**

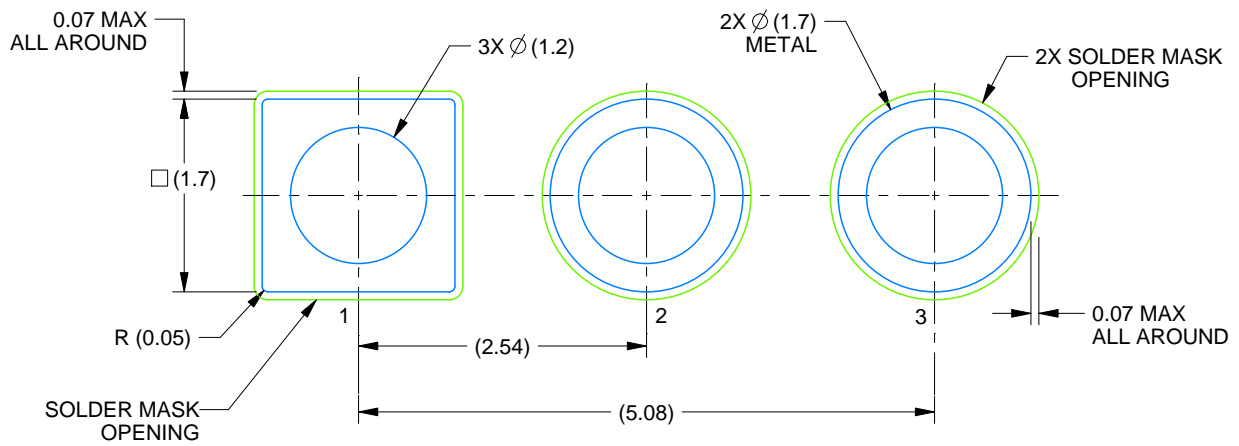
- 1. Dimensions are in millimeters. Any dimension in brackets or parenthesis are for reference only. Dimensioning and tolerancing per ASME Y14.5M.
- 2. This drawing is subject to change without notice.
- 3. Reference JEDEC registration TO-220.

# EXAMPLE BOARD LAYOUT

KCS0003B

TO-220 - 19.65 mm max height

TO-220



LAND PATTERN EXAMPLE  
NON-SOLDER MASK DEFINED  
SCALE:15X

4222214/B 08/2018



## IMPORTANT NOTICE AND DISCLAIMER

TI PROVIDES TECHNICAL AND RELIABILITY DATA (INCLUDING DATA SHEETS), DESIGN RESOURCES (INCLUDING REFERENCE DESIGNS), APPLICATION OR OTHER DESIGN ADVICE, WEB TOOLS, SAFETY INFORMATION, AND OTHER RESOURCES "AS IS" AND WITH ALL FAULTS, AND DISCLAIMS ALL WARRANTIES, EXPRESS AND IMPLIED, INCLUDING WITHOUT LIMITATION ANY IMPLIED WARRANTIES OF MERCHANTABILITY, FITNESS FOR A PARTICULAR PURPOSE OR NON-INFRINGEMENT OF THIRD PARTY INTELLECTUAL PROPERTY RIGHTS.

These resources are intended for skilled developers designing with TI products. You are solely responsible for (1) selecting the appropriate TI products for your application, (2) designing, validating and testing your application, and (3) ensuring your application meets applicable standards, and any other safety, security, regulatory or other requirements.

These resources are subject to change without notice. TI grants you permission to use these resources only for development of an application that uses the TI products described in the resource. Other reproduction and display of these resources is prohibited. No license is granted to any other TI intellectual property right or to any third party intellectual property right. TI disclaims responsibility for, and you will fully indemnify TI and its representatives against, any claims, damages, costs, losses, and liabilities arising out of your use of these resources.

TI's products are provided subject to [TI's Terms of Sale](#) or other applicable terms available either on [ti.com](https://www.ti.com) or provided in conjunction with such TI products. TI's provision of these resources does not expand or otherwise alter TI's applicable warranties or warranty disclaimers for TI products.

TI objects to and rejects any additional or different terms you may have proposed.

Mailing Address: Texas Instruments, Post Office Box 655303, Dallas, Texas 75265

Copyright © 2025, Texas Instruments Incorporated