

LM98640QML-SP Radiation Hardness Assured (RHA), Dual Channel, 14-Bit, 40-MSPS Analog Front End With LVDS Output

1 Features

- Radiation Hardened
 - TID 100 krad(Si)
 - Single Event Latch-Up (SEL) Immune to LET = 120 MeV-cm²/mg
 - Single Event Functional Interrupt (SEFI) Free to 120 MeV-cm²/mg
 - SMD 5962R1820301VXC
- ADC Resolution: 14-Bit
- ADC Sampling Rate: 5 MSPS to 40 MSPS
- Input Level: 2.85 V
- Supply Voltages 3.3 V and 1.8 V (Nominal)
 - 125 mW per Channel at 15 MSPS
 - 178 mW per Channel at 40 MSPS
- CDS or S/H Processing for CCD or CIS Sensors
 - CDS or S/H Gain 0 dB or 6 dB
- Programmable Analog Gain for Each Channel
 - 256 Steps; Range –3 dB to 18 dB
- Programmable Analog Offset Correction
 - Fine and Coarse DAC Resolution ±8 Bits
 - Fine DAC Range ±5 mV
 - Coarse DAC Range ±250 mV
- Programmable Input Clamp Voltage
- Programmable Sample Edge: 1/64th Pixel Period
- INL at 15 MHz: ±3.5 LSB
- Noise Floor: –79 dB
- Crosstalk: –80 dB
- Operating Temp: –55°C to 125°C

2 Applications

- Space Satellites Scientific Applications
 - Focal Plane Electronics
 - Imaging Attitude Control Systems
 - Earth Imaging

3 Description

The LM98640QML-SP is a fully integrated, high performance 14-Bit, 5-MSPS to 40-MSPS signal processing solution. The Serial LVDS output format performs well during single event exposure, preventing data loss. The LM98640QML-SP has an adaptive power scaling feature to optimize power consumption based on the operating frequency and amount of gain required. High-speed signal throughput is achieved with an innovative architecture utilizing Correlated Double Sampling (CDS), typically employed with CCD arrays, or Sample and Hold (S/H) inputs (for CIS and CMOS image sensors). The sampling edges are programmable to a resolution of 1/64th of a pixel period. Both the CDS and S/H have a programmable gain of either 0 dB or 6 dB. The signal paths utilize two ±8-bit offset correction DACs for coarse and fine offset correction, and 8-bit Programmable Gain Amplifiers (PGA) that can be programmed independently for each input. The signals are then routed to two on chip 14-bit 40-MHz high performance analog-to-digital converters (ADC). The fully differential processing channel provides exceptional noise immunity, having a very low noise floor of –79 dB at 1x gain.

Device Information⁽¹⁾

PART NUMBER	GRADE	PACKAGE
5962R1820301VXC	QMLV RHA (SMD part) [100 krad(Si)]	CQFP (68)
LM98640W-MLS	Flight RHA (non-SMD part) [100 krad(Si)]	CQFP (68)
LM98640W-MPR	Engineering Samples ⁽²⁾	CQFP (68)
LM98640CVAL	Ceramic Evaluation Board	EVM

(1) For all available packages, see the orderable addendum at the end of the data sheet.

(2) These units are intended for engineering evaluation only. They are processed to a noncompliant flow. These units are not suitable for qualification, production, radiation testing or flight use. Part are not warranted for performance over the full MIL specified temperature range of –55°C to 125°C or operating life.

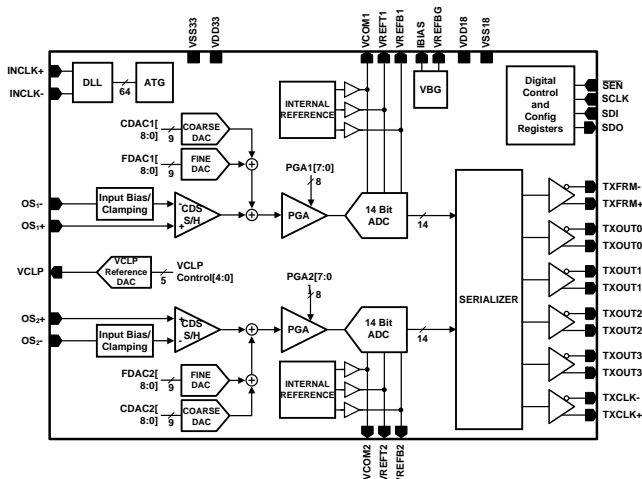


Table of Contents

1 Features	1	7.5 Programming.....	34
2 Applications	1	7.6 Register Maps.....	36
3 Description	1	8 Application and Implementation	46
4 Revision History	2	8.1 Application Information.....	46
5 Pin Configuration and Functions	4	8.2 Typical Application	47
6 Specifications	7	8.3 Initialization Set Up	47
6.1 Absolute Maximum Ratings	7	9 Layout	48
6.2 ESD Ratings	7	9.1 Layout Guidelines	48
6.3 Recommended Operating Conditions.....	7	10 Device and Documentation Support	49
6.4 Thermal Information	8	10.1 Device Support	49
6.5 Quality Conformance Inspection	8	10.2 Receiving Notification of Documentation Updates	49
6.6 LM98640QML-SP Electrical Characteristics.....	9	10.3 Community Resources.....	49
6.7 AC Timing Specifications.....	17	10.4 Export Control Notice.....	49
6.8 Typical Performance Characteristics	18	10.5 Trademarks	49
7 Detailed Description	20	10.6 Electrostatic Discharge Caution.....	49
7.1 Overview	20	10.7 Glossary	49
7.2 Functional Block Diagram	20	11 Mechanical, Packaging, and Orderable	
7.3 Feature Description.....	21	Information	50
7.4 Device Functional Mode	32	11.1 Engineering Samples.....	50

4 Revision History

Changes from Revision F (October 2018) to Revision G Page

- Changed pin diagram in *Pin Configuration and Functions* section to correct typographical error **4**

Changes from Revision E (December 2017) to Revision F Page

- Deleted Operating Life Test Delta Parameters Table
- Updated *Features* section bullets to include SMD information.....
- Updated *Applications* section
- Added new orderable to the Device Information table
- Added engineering samples footnote
- Deleted LM98640-MDR and LM9864-MDP from the Device Information table
- Updated thermal metrics
- Deleted 15 MHz and 25 MHz min/max spec.....
- Changed ENOB typical for subgroup 6 at 25 MHz
- Added minimum spec value for ENOB subgroups 4,5 at 40 MHz
- Changed pulses to windows.....
- Updated wording in CDS Mode CLAMP/SAMPLE Adjust section
- Updated wording in Input Bias and Clamping section

Changes from Revision D (September 2015) to Revision E Page

- Changed 64 Lead to 68 Lead in the Device Information table..... **1**

Changes from Revision C (April 2013) to Revision D
Page

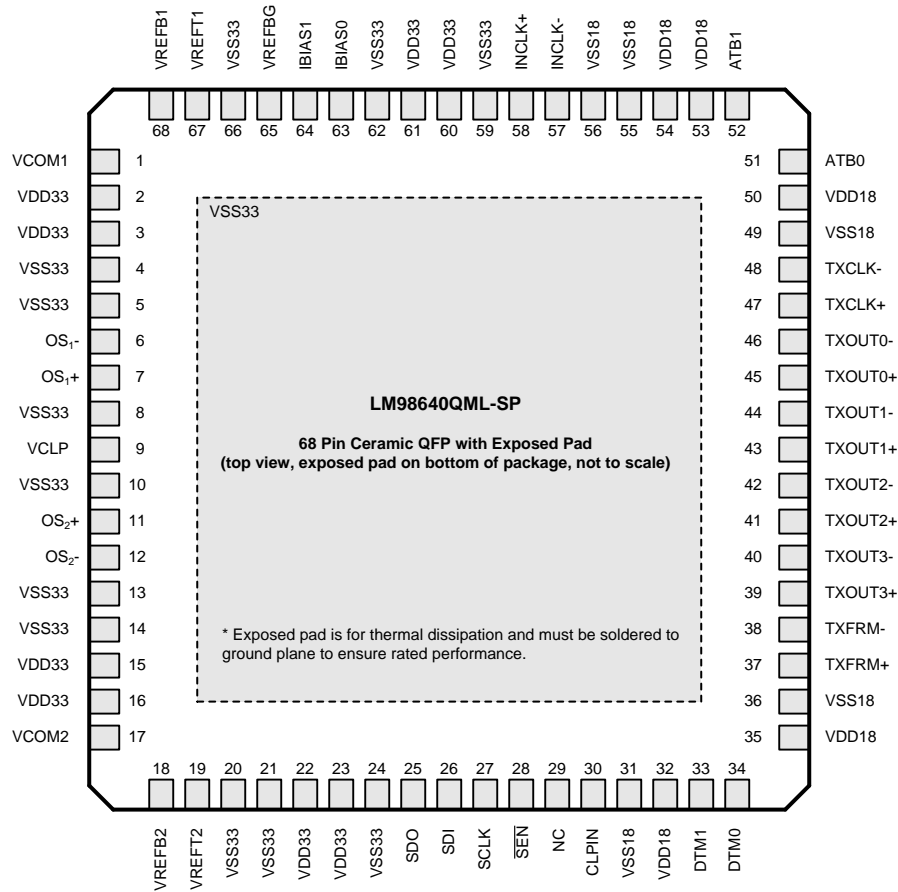
• Added, updated, or revised the following sections in accordance with new datasheet standards: <i>Description, Pin Configuration and Functions, Specifications, Detailed Description, Application and Implementation, Power Supply Recommendations, Layout, Device and Documentation Support, Mechanical, Packaging, and Ordering Information</i>	1
• Changed CLPIN I_{IH} from 44 to 100 μA	9
• Changed $\overline{\text{SEN}}$ I_{IH} from 28 to 100 μA	9
• Changed $\overline{\text{SEN}}$ I_{IL} from –70 to –100 μA	9
• Changed INCLK I_{IHL} from 36 to 100 μA	9
• Added minimum limits for t_{DSO} , t_{DSE} , t_{QSR} and t_{QHF} and deleted maximum limits	17
• Added details on register write.	34
• Changed Device Revision ID from x01 to x48	37
• Changed Device Revision ID from x01 to x48	45
• Added TID test and ELDRS-free information	46

Changes from Revision B (January 2011) to Revision C
Page

• layout of datasheet from National to TI format	1
--	---

5 Pin Configuration and Functions

**68-Pin QFP
Package NBB0068D
Top View**



Pin Functions

PIN	NAME	I/O ⁽¹⁾	TYP	RES	DESCRIPTION
1	VCOM1	O	A		Common mode of ADC reference. Bypass with 0.1- μ F capacitor to VSS33.
2	VDD33		P		Analog power supply. Decouple with minimum 0.1- μ F capacitor to VSS33 plane.
3	VDD33		P		Analog power supply. Decouple with minimum 0.1- μ F capacitor to VSS33 plane.
4	VSS33		P		Analog supply return.
5	VSS33		P		Analog supply return.
6	OS1-	I	A		Analog input signal.
7	OS1+	I	A		Sample/Hold Mode Reference Level. Bypassed with a 0.1- μ F to ground in CDS mode.
8	VSS33		P		Analog supply return.
9	VCLP	O	A		Programmable Clamp Voltage output. Normally bypassed with a 0.1- μ F capacitor to VSS33.
10	VSS33		P		Analog supply return.
11	OS2+	I	A		Sample/Hold Mode Reference Level. Bypassed with a 0.1- μ F to ground in CDS mode.
12	OS2-	I	A		Analog input signal.
13	VSS33		P		Analog supply return.
14	VSS33		P		Analog supply return.
15	VDD33		P		Analog power supply. Decouple with minimum 0.1- μ F capacitor to VSS33 plane.
16	VDD33		P		Analog power supply. Decouple with minimum 0.1- μ F capacitor to VSS33 plane.
17	VCOM2	O	A		Common mode of ADC reference. Bypass with 0.1- μ F capacitor to ground.
18	VREFB2	O	A		Bottom of ADC reference. Bypass with a 0.1- μ F capacitor to ground.
19	VREFT2	O	A		Top of ADC reference. Bypass with a 0.1- μ F capacitor to ground.
20	VSS33		P		Analog supply return.
21	VSS33		P		Analog supply return.
22	VDD33		P		Analog power supply. Decouple with minimum 0.1- μ F capacitor to VSS33 plane.
23	VDD33		P		Analog power supply. Decouple with minimum 0.1- μ F capacitor to VSS33 plane.
24	VSS33		P		Analog supply return.
25	SDO	O	D		Serial Interface Data Output. (Tri-State when $\overline{\text{SEN}}$ is high)
26	SDI	I	D		Serial Interface Data Input. (Tri-State when $\overline{\text{SEN}}$ is high)
27	SCLK	I	D	PD	Serial Interface shift register clock. (Tri-State when $\overline{\text{SEN}}$ is high)
28	$\overline{\text{SEN}}$	I	D	PU	Active-low chip enable for the Serial Interface.
29	NC				No Connection. Can be connected to VSS18.
30	CLPIN	I	D		Input clamp signal.
31	VSS18		P		Digital supply return.
32	VDD18		P		Digital power supply. Decouple with minimum 0.1- μ F capacitor to VSS18 plane.
33	DTM1	O	D		Digital Timing Monitor. If not used, can be connected to VDD18 through a 10-k Ω resistor.
34	DTM0	O	D		Digital Timing Monitor. If not used, can be connected to VDD18 through a 10-k Ω resistor.
35	VDD18		P		Digital power supply. Decouple with minimum 0.1- μ F capacitor to VSS18 plane.
36	VSS18		P		Digital supply return.
37	TXFRM+	O	D		LVDS Frame+
38	TXFRM-	O	D		LVDS Frame-
39	TXOUT3+	O	D		LVDS Data Out3+
40	TXOUT3-	O	D		LVDS Data Out3-
41	TXOUT2+	O	D		LVDS Data Out2+
42	TXOUT2-	O	D		LVDS Data Out2-
43	TXOUT1+	O	D		LVDS Data Out1+
44	TXOUT1-	O	D		LVDS Data Out1-
45	TXOUT0+	O	D		LVDS Data Out0+

(1) (I = Input), (O = Output), (IO = Bi-directional), (P = Power), (D = Digital), (A = Analog), (PU = Pull Up with an internal resistor), (PD = Pull Down with an internal resistor.)

Pin Functions (continued)

PIN	NAME	I/O ⁽¹⁾	TYP	RES	DESCRIPTION
46	TXOUT0-	O	D		LVDS Data Out0-
47	TXCLK+	O	D		LVDS Clock+
48	TXCLK-	O	D		LVDS Clock-
49	VSS18		P		Digital supply return.
50	VDD18		P		Digital power supply. Decouple with minimum 0.1- μ F capacitor to VSS18 plane.
51	ATB0	O	A		Analog Test Bus. If not used, can be connected to VSS18 through a 10-k Ω resistor.
52	ATB1	O	A		Analog Test Bus. If not used, can be connected to VSS18 through a 10-k Ω resistor.
53	VDD18		P		Digital power supply. Decouple with minimum 0.1- μ F capacitor to VSS18 plane.
54	VDD18		P		Digital power supply. Decouple with minimum 0.1- μ F capacitor to VSS18 plane.
55	VSS18		P		Digital supply return.
56	VSS18		P		Digital supply return.
57	INCLK-	I	D		Clock Input. Inverting input for LVDS clocks.
58	INCLK+	I	D		Clock Input. Non-Inverting input for LVDS clocks.
59	VSS33		P		Analog supply return.
60	VDD33		P		Analog power supply. Decouple with minimum 0.1- μ F capacitor to VSS33 plane.
61	VDD33		P		Analog power supply. Decouple with minimum 0.1- μ F capacitor to VSS33 plane.
62	VSS33		P		Analog supply return.
63	IBIAS0	I	A		Connect with external 10-k Ω 1% resistor to IBIAS1 pin.
64	IBIAS1	I	A		Connect with external 10-k Ω 1% resistor to IBIAS0 pin.
65	VREFBG	O	A		Band gap reference output. Bypass with a 0.1- μ F capacitor to VSS33. Can be overdriven with external voltage source.
66	VSS33		P		Analog supply return.
67	VREFT1	O	A		Top of ADC reference. Bypass with a 0.1- μ F capacitor to VSS33.
68	VREFB1	O	A		Bottom of ADC reference. Bypass with a 0.1- μ F capacitor to VSS33.
	Exp Pad		P		Exposed pad must be soldered to ground plane to ensure rated performance.

6 Specifications

6.1 Absolute Maximum Ratings⁽¹⁾⁽²⁾

PARAMETER	MIN	MAX	UNIT
Supply Voltage (VDD33)		4.2	V
Supply Voltage (VDD18)		2.35	V
Voltage on any VDD33 Input Pin (Not to exceed 4.2 V)	-0.3	VDD33 + 0.3	V
Voltage on any VDD33 Output Pin (Not to exceed 4.2 V)	-0.3	VDD33 + 0.3	V
Voltage on any VDD18 Input or Output Pin (33 to 52) (Not to exceed 2.35 V)	-0.3	VDD18 + 0.3	V
Input Current at any pin other than Supply Pins ⁽³⁾		±25	mA
Package Input Current (except Supply Pins) ⁽³⁾		±50	mA
Maximum Junction Temperature (TA)		150	°C
Storage Temperature	-65	150	°C

- (1) All voltages are measured with respect to VSS = 0 V, unless otherwise specified.
- (2) *Absolute Maximum Ratings* indicate limits beyond which damage to the device may occur. *Recommended Operating Conditions* indicate conditions for which the device is functional, but do not ensure specific performance limits. For ensured specifications and test conditions, see the *Electrical Characteristics*. The ensured specifications apply only for the test conditions listed. Some performance characteristics may degrade when the device is not operated under the listed test conditions. Operation of the device beyond the *Recommended Operating Conditions* is not recommended.
- (3) When the input voltage (V_{IN}) at any pin exceeds the power supplies ($V_{IN} < VSS$ or $V_{IN} > VDD33$), the current at that pin should be limited to 25 mA. The 50-mA maximum package input current rating limits the number of pins that can simultaneously safely exceed the power supplies with an input current of 25 mA to two.

6.2 ESD Ratings⁽¹⁾

		VALUE	UNIT
$V_{(ESD)}$ Electrostatic discharge	Human-body model (HBM), per ANSI/ESDA/JEDEC JS-001 ⁽²⁾	±2500	V
	Charged-device model (CDM), per JEDEC specification JESD22-C101 ⁽³⁾	±250	

- (1) Human body model is 100-pF capacitor discharged through a 1.5-k Ω resistor. Machine model is 220-pF discharged through 0 Ω .
- (2) JEDEC document JEP155 states that 500-V HBM allows safe manufacturing with a standard ESD control process. Manufacturing with less than 500-V HBM is possible with the necessary precautions. Pins listed as ±2500 V may actually have higher performance.
- (3) JEDEC document JEP157 states that 250-V CDM allows safe manufacturing with a standard ESD control process. Manufacturing with less than 250-V CDM is possible with the necessary precautions. Pins listed as ±250 V may actually have higher performance.

6.3 Recommended Operating Conditions⁽¹⁾

PARAMETER	MIN	MAX	UNIT
Operating Temperature (TA)	-55	125	°C
VDD33 ⁽²⁾⁽³⁾	3.15	3.45	V
VDD18 ⁽²⁾⁽³⁾	1.7	1.9	V
VSS33 - VSS18		100	mV

- (1) *Absolute Maximum Ratings* indicate limits beyond which damage to the device may occur. *Operating Ratings* indicate conditions for which the device is functional, but do not ensure specific performance limits. For ensured specifications and test conditions, see the *Electrical Characteristics*. The ensured specifications apply only for the test conditions listed. Some performance characteristics may degrade when the device is not operated under the listed test conditions. Operation of the device beyond the *Operating Ratings* is not recommended.
- (2) All voltages are measured with respect to VSS = 0 V, unless otherwise specified.
- (3) When the input voltage (V_{IN}) at any pin exceeds the power supplies ($V_{IN} < VSS$ or $V_{IN} > VDD33$), the current at that pin should be limited to 25 mA. The 50-mA maximum package input current rating limits the number of pins that can simultaneously safely exceed the power supplies with an input current of 25 mA to two.

6.4 Thermal Information⁽¹⁾

THERMAL METRIC ⁽²⁾		LM98640QML-SP	UNIT
		NBB (CFP)	
		68 PINS	
$R_{\theta JA}$	Junction-to-ambient thermal resistance	16.4	°C/W
$R_{\theta JC(top)}$	Junction-to-case (top) thermal resistance	3.8	
$R_{\theta JB}$	Junction-to-board thermal resistance	7.6	
ψ_{JT}	Junction-to-top characterization parameter	1.7	
ψ_{JB}	Junction-to-board characterization parameter	7.2	
$R_{\theta JC(bottom)}$	Junction-to-case (bottom) thermal resistance	0.3	

- (1) The maximum power dissipation must be derated at elevated temperatures and is dictated by T_{JMAX} , θ_{JA} and the ambient temperature, T_A . The maximum allowable power dissipation at any temperature is $P_D = (T_{JMAX} - T_A) / \theta_{JA}$. The values for maximum power dissipation listed above will be reached only when the device is operated in a severe fault condition (e.g. when input or output pins are driven beyond the power supply voltages, or the power supply polarity is reversed). Such conditions should always be avoided.
- (2) For more information about traditional and new thermal metrics, see the *IC Package Thermal Metrics* application report, [SPRA953](#).

6.5 Quality Conformance Inspection

MIL-STD-883, Method 5005 - Group A

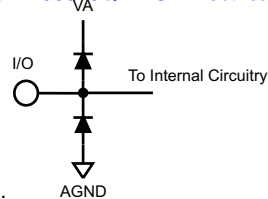
SUBGROUP	DESCRIPTION	TEMP (°C)
1	Static tests at	25
2	Static tests at	125
3	Static tests at	-55
4	Dynamic tests at	25
5	Dynamic tests at	125
6	Dynamic tests at	-55
7	Functional tests at	25
8A	Functional tests at	125
8B	Functional tests at	-55
9	Switching tests at	25
10	Switching tests at	125
11	Switching tests at	-55
12	Setting time at	25
13	Setting time at	125
14	Setting time at	-55

6.6 LM98640QML-SP Electrical Characteristics⁽¹⁾⁽²⁾

The following specifications apply for $V_{DD33} = 3.3\text{ V}$, $V_{DD18} = 1.8\text{ V}$, $C_L = 10\text{ pF}$, and $f_{INCLK} = 40\text{ MHz}$ unless otherwise specified.

PARAMETER	TEST CONDITIONS	NOTES	SUB-GROUPS	MIN	TYP ⁽³⁾	MAX	UNIT
CMOS DIGITAL INPUT DC SPECIFICATIONS (SCLK, SEN, SDI, CLPIN)							
V_{IH}	Logical "1" Input Voltage		1, 2, 3	2.0			V
V_{IL}	Logical "0" Input Voltage		1, 2, 3			0.8	V
I_{IH}	Logical "1" Input Current $V_{IH} = V_{DD33}$	CLPIN	1, 2, 3		70	100	μA
		SCLK, SDI			40	300	nA
		SEN			0.2	6	μA
I_{IL}	Logical "0" Input Current $V_{IL} = V_{SS}$	CLPIN	1, 2, 3		-300	-85	nA
		SCLK, SDI			-300	-50	nA
		SEN			-100	-70	μA
CMOS DIGITAL OUTPUT DC SPECIFICATIONS (SDO)							
V_{OH}	Logical "1" Output Voltage	$I_{OUT} = -0.5\text{ mA}$	1, 2, 3	1.8	1.93		V
V_{OL}	Logical "0" Output Voltage	$I_{OUT} = 1.6\text{ mA}$	1, 2, 3		0.05	0.2	V
I_{OH}	Output Leakage Current	$V_{OUT} = V_{DD}$	1, 2, 3		20	50	nA
I_{OL}	Output Leakage Current	$V_{OUT} = V_{SS}$	1, 2, 3	-50	-20		nA
LVDS CLOCK RECEIVER DC SPECIFICATIONS (INCLK+ and INCLK- Pins)							
V_{IHL}	Differential LVDS Clock High Threshold Voltage	$R_L = 100\ \Omega$ V_{CM} (LVDS Input Common Mode Voltage) = 1.25 V	1, 2, 3		100	250	mV
V_{ILL}	Differential LVDS Clock Low Threshold Voltage	$R_L = 100\ \Omega$ V_{CM} (LVDS Input Common Mode Voltage) = 1.25 V	1, 2, 3	-250	-100		mV
I_{IHL}	Differential LVDS Clock Input Current	$V_{IH} = V_{DD33}$	1, 2, 3		70	100	μA
I_{ILL}	Differential LVDS Clock Input Current	$V_{IL} = V_{SS}$	1, 2, 3	-49	-34		μA

- (1) The analog inputs are protected as shown below. Input voltage magnitudes beyond the supply rails will not damage the device, provided the current is limited per Note 2 under the [LM98640QML-SP Electrical Characteristics^{\(1\)\(2\)}](#). However, input errors will be generated if the



- input goes above V_{DD33} and below V_{SS} .
- (2) When the input voltage (V_{IN}) at any pin exceeds the power supplies ($V_{IN} < V_{SS}$ or $V_{IN} > V_{DD33}$), the current at that pin should be limited to 25 mA. The 50-mA maximum package input current rating limits the number of pins that can simultaneously safely exceed the power supplies with an input current of 25 mA to two.
- (3) Typical figures are at $T_A = 25^\circ\text{C}$, and represent most likely parametric norms at the time of product characterization. The typical specifications are not ensured.

LM98640QML-SP Electrical Characteristics⁽¹⁾⁽²⁾ (continued)

The following specifications apply for VDD33 = 3.3 V, VDD18 = 1.8 V, C_L = 10 pF, and f_{INCLK} = 40 MHz unless otherwise specified.

PARAMETER		TEST CONDITIONS	NOTES	SUB-GROUPS	MIN	TYP ⁽³⁾	MAX	UNIT
LVDS OUTPUT DC SPECIFICATIONS								
V _{OD}	Differential Output Voltage	LVDS Output Modes = 0000 x100 R _L = 100 Ω		1, 2, 3	210	275	410	mV
V _{OS}	LVDS Output Offset Voltage			1, 2, 3	1.05	1.19	1.3	V
V _{OD}	Differential Output Voltage	LVDS Output Modes = 0000 x101 R _L = 100 Ω		1, 2, 3	250	325	460	mV
V _{OS}	LVDS Output Offset Voltage			1, 2, 3	1.05	1.19	1.3	V
V _{OD}	Differential Output Voltage	LVDS Output Modes = 0000 x110 R _L = 100 Ω		1, 2, 3	300	377	535	mV
V _{OS}	LVDS Output Offset Voltage			1, 2, 3	0.95	1.1	1.2	V
V _{OD}	Differential Output Voltage	LVDS Output Modes = 0000 x111 R _L = 100 Ω		1, 2, 3	350	425	590	mV
V _{OS}	LVDS Output Offset Voltage			1, 2, 3	0.95	1.1	1.2	V
I _{OH}	LVDS Output Leakage Current			1, 2, 3		4.25	5	μA
I _{OL}	LVDS Output Leakage Current			1, 2, 3	-5	-4.29		μA
I _{OS}	Output Short Circuit Current	V _{OUT} = 0 V, R _L = 100 Ω		1, 2, 3		40	50	mA

LM98640QML-SP Electrical Characteristics⁽¹⁾⁽²⁾ (continued)

The following specifications apply for VDD33 = 3.3 V, VDD18 = 1.8 V, C_L = 10 pF, and f_{INCLK} = 40 MHz unless otherwise specified.

PARAMETER	TEST CONDITIONS	NOTES	SUB-GROUPS	MIN	TYP ⁽³⁾	MAX	UNIT	
POWER SUPPLY SPECIFICATIONS (see Power Trimming section for PGA and ADC Power Trimming register settings)								
IA	VDD33 Analog Supply Current Dual Channel Power optimized for PGA Gain = 1-4x	Powerdown Control Reg = 0x00						
		5 MHz		1, 2, 3	51.5	58	mA	
		15 MHz			61.3			
		25 MHz			69.6			
	40 MHz		1, 2, 3	87.6	98			
	VDD33 Analog Supply Current Dual Channel Power optimized for PGA Gain = 1-8x	Powerdown Control Reg = 0x00						
		5 MHz		1, 2, 3	51.5	58	mA	
		15 MHz			61.3			
		25 MHz			72.9			
	40 MHz		1, 2, 3	91.3	103			
	VDD33 Analog Supply Current Single Channel Power optimized for PGA Gain = 1-4x	Powerdown Control Reg = 0x15 (CH1 PD) or = 0x2A (CH2 PD)						
		5 MHz		1, 2, 3	29.5	35	mA	
		15 MHz			36.1			
		25 MHz			42			
	40 MHz		1, 2, 3	53.7	60			
	VDD33 Analog Supply Current Single Channel Power optimized for PGA Gain = 1-8x	Powerdown Control Reg = 0x15 (CH1 PD) or = 0x2A (CH2 PD)						
		5 MHz		1, 2, 3	29.5	35	mA	
		15 MHz			36.1			
		25 MHz			43.8			
	40 MHz		1, 2, 3	55.6	64			
VDD33 Analog Supply Current Powerdown	Powerdown Control Reg = 0x80		1, 2, 3	2.85	3.85		mA	
ID	VDD18 Digital Supply Current LVDS Quad Lane Mode LVDS Output Mode Reg = 0x0E	5 MHz			36		mA	
		15 MHz			39			
		25 MHz			42			
		40 MHz			45			
	VDD18 Digital Supply Current	5 MHz		1, 2, 3	23.5	29	mA	
		15 MHz			25.5			
		25 MHz			27.5			
VDD18 Digital Supply Current Powerdown	Powerdown Control Reg = 0x80		1, 2, 3	1.2	3.0		mA	
PWR	Average Power Dissipation Power optimized for PGA Gain = 1-4x Dual Channel LVDS Dual Lane Mode	5 MHz		1, 2, 3	212	244	mW	
		15 MHz			250			
		25 MHz			280			
		40 MHz		1, 2, 3	345	390		
	Average Power Dissipation Power optimized for PGA Gain = 1-8x Dual Channel LVDS Dual Lane Mode	5 MHz		1, 2, 3	212	244	mW	
		15 MHz			250			
		25 MHz			290			
		40 MHz		1, 2, 3	356	407		

LM98640QML-SP Electrical Characteristics⁽¹⁾⁽²⁾ (continued)

The following specifications apply for VDD33 = 3.3 V, VDD18 = 1.8 V, C_L = 10 pF, and f_{INCLK} = 40 MHz unless otherwise specified.

PARAMETER		TEST CONDITIONS	NOTES	SUB-GROUPS	MIN	TYP ⁽³⁾	MAX	UNIT
PSRR	Dynamic Power Supply Rejection Ratio CDS Gain = 1x PGA Gain = 1x	200 mVpp, 200 KHz	See ⁽⁴⁾			-72.3		dB
		200 mVpp, 500 KHz				-72		
		200 mVpp, 1 MHz				-71		
		200 mVpp, 1.5 MHz				-68		
		200 mVpp, 2 MHz				-66		
INTERNAL REFERENCE SPECIFICATIONS								
V _{REFBG}	Reference Voltage		See ⁽⁵⁾			1.218		V
	Reference Tolerance (chip to chip)		See ⁽⁵⁾			±2%		
R _{REFBG}	Reference Impedance		See ⁽⁵⁾			20		kΩ
V _{REFTC}	Temperature Coefficient	25°C to 125°C				80		ppm/°C
		-55°C to 25°C				50		
INPUT SAMPLING CIRCUIT SPECIFICATIONS								
V _{IN}	Input Voltage Level	CDS Gain = 1x, PGA Gain = 1x		1, 2, 3				2
		CDS Gain = 2x, PGA Gain = 1x						1
		CDS Gain = 1x, PGA Gain = 0.7x					2.85	
V _{RESET}	Reset Feed Through					500		mV
I _{IN_SH}	Sample and Hold Mode Input Leakage Current	CDS Gain = 1x	See ⁽⁵⁾			384		μA
		OS _X = VDD33 (OS _X = VSS)						
		CDS Gain = 2x	See ⁽⁵⁾			-475		
		OS _X = VDD33 (OS _X = VSS)						
C _{SH}	Sample/Hold Mode	CDS Gain = 1x	See ⁽⁵⁾			4		pF
	Equivalent Input Capacitance							
	(see Figure 20)							
I _{IN_CDS}	CDS Mode	OS _X = VDD33 (OS _X = VSS)	See ⁽⁵⁾			300		nA
	Input Leakage Current							
R _{CLPIN}	CLPIN Switch Resistance		See ⁽⁵⁾			16		Ω
	(OS _X to VCLP Node in Figure 17)							

(4) Dynamic Power Supply Rejection Ratio is performed by injecting a 200-mVpp sine wave ac coupled to the analog supply pin. The LM98640QML-SP inputs are left floating in CDS mode and an FFT is captured. The spur ensured by the injected signal is recorded.

(5) This parameter is ensured by design and/or characterization and is not tested.

LM98640QML-SP Electrical Characteristics⁽¹⁾⁽²⁾ (continued)

The following specifications apply for VDD33 = 3.3 V, VDD18 = 1.8 V, C_L = 10 pF, and f_{INCLK} = 40 MHz unless otherwise specified.

PARAMETER		TEST CONDITIONS	NOTES	SUB-GROUPS	MIN	TYP ⁽³⁾	MAX	UNIT
VCLP REFERENCE CIRCUIT SPECIFICATION								
VCLP DAC Resolution				1, 2, 3	5	5		Bits
VCLP DAC Step Size				1, 2, 3	96	98	102	mV
V _{VCLP}	VCLP DAC Voltage Min Output	VCLP Control Register = 0110 0000		1, 2, 3	194	224	298	mV
		VCLP Control Register = 0111 1101		1, 2, 3	2.99	3.07	3.11	V
I _{SC}	VCLP DAC Short Circuit Output Current	VCLP Control Register = 011x xxxx				33		mA
COARSE ANALOG OFFSET DAC SPECIFICATIONS								
Resolution						±8		Bits
	Offset Adjustment Range Referred to AFE Input CDS Gain = 1x	Minimum DAC Code = 0x000		1, 2, 3	-264	-262	-251	mV
		Maximum DAC Code = 0x1FF			251	263	266	
	Offset Adjustment Range Referred to AFE Input CDS Gain = 2x	Minimum DAC Code = 0x000		1, 2, 3	-132	-131	-126	mV
		Maximum DAC Code = 0x1FF			126	131	133	
	Offset Adjustment Range Referred to AFE Output	Minimum DAC Code = 0x000		1, 2, 3	-2162	-2146	-2058	LSB
		Maximum DAC Code = 0x1FF			2058	2154	2176	
	DAC Step Size CDS Gain = 1x	Input Referred				1		mV
		Output Referred				8		LSB
DNL	Differential Non-Linearity	CDS Gain = 1x or 2x 40 MHz		1, 2, 3	-1.1	±0.97	1.1	LSB
INL	Integral Non-Linearity	CDS Gain = 1x or 2x 40 MHz		1, 2, 3	-2.8	±1.5	2.80	LSB
FINE ANALOG OFFSET DAC SPECIFICATIONS								
Resolution						±8		Bits
	Offset Adjustment Range Referred to AFE Input CDS Gain = 1x	Minimum DAC Code = 0x000		1, 2, 3	-5.9	-4.6	-3.1	mV
		Maximum DAC Code = 0x1FF			4.3	5.3	6.8	
	Offset Adjustment Range Referred to AFE Input CDS Gain = 2x	Minimum DAC Code = 0x000		1, 2, 3	-2.9	-2.3	-1.5	mV
		Maximum DAC Code = 0x1FF			2.1	2.6	3.4	
	Offset Adjustment Range Referred to AFE Output	Minimum DAC Code = 0x000		1, 2, 3	-48	-38	-25	LSB
		Maximum DAC Code = 0x1FF			35	43	56	
	DAC Step Size CDS Gain = 1x	Input Referred				20		µV
		Output Referred				0.16		LSB
DNL	Differential Non-Linearity					±1		LSB
INL	Integral Non-Linearity					±2.2		LSB

LM98640QML-SP

SNAS461G –MAY 2010–REVISED NOVEMBER 2018

www.ti.com
LM98640QML-SP Electrical Characteristics⁽¹⁾⁽²⁾ (continued)

 The following specifications apply for VDD33 = 3.3 V, VDD18 = 1.8 V, C_L = 10 pF, and f_{INCLK} = 40 MHz unless otherwise specified.

PARAMETER	TEST CONDITIONS	NOTES	SUB-GROUPS	MIN	TYP ⁽³⁾	MAX	UNIT
PGA SPECIFICATIONS							
Gain Resolution			1, 2, 3			8	Bits
Monotonicity		See ⁽⁵⁾					
Maximum Gain	CDS Gain = 1x		1, 2, 3	7.92	8.3	8.78	V/V
	CDS Gain = 1x		1, 2, 3	17.99	18.4	18.88	dB
Minimum Gain	CDS Gain = 1x		1, 2, 3	0.62	0.64	0.66	V/V
	CDS Gain = 1x		1, 2, 3	-4.15	-3.8	-3.54	dB
PGA Function	Gain (V/V) = (180/(277-PGA Code))						
	Gain (dB) = 20LOG10(180/(277-PGA Code))						
Channel Matching	Minimum PGA Gain		1, 2	95.2%	99.0%		
			3	94.0%	99.0%		
	Maximum PGA Gain		1, 2	95.2%	99.0%		
			3	94.0%	99.0%		
ADC SPECIFICATIONS							
V _{REFT}	Top of Reference				2.0		V
V _{REFB}	Bottom of Reference				1.0		V
V _{REFT} - V _{REFB}	Differential Reference Voltage				1.0		V
	Ovrrange Output Code		1, 2, 3	16383	16383		Code
	Underrange Output Code		1, 2, 3		0	0	Code
FULL CHANNEL PERFORMANCE SPECIFICATIONS							
DNL	Differential Non-Linearity	5 MHz	1, 2, 3	-1.03	0.78	1.53	LSB
		5 MHz CDS	1, 2, 3	-1.20	1.0	2.24	
		15 MHz			0.78		
		25 MHz			0.78		
		40 MHz	1, 2, 3	-1.03	0.78	1.45	
INL	Integral Non-Linearity	5 MHz	1, 2, 3	-5.38	1.7	4.38	LSB
		5 MHz CDS	1, 2, 3	-3.41	1.7	5.15	
		15 MHz			1.9		
		25 MHz			2.4		
		40 MHz	1, 2, 3	-9.9	6.0	7.34	

LM98640QML-SP Electrical Characteristics⁽¹⁾⁽²⁾ (continued)

The following specifications apply for VDD33 = 3.3 V, VDD18 = 1.8 V, C_L = 10 pF, and f_{INCLK} = 40 MHz unless otherwise specified.

PARAMETER		TEST CONDITIONS	NOTES	SUB-GROUPS	MIN	TYP ⁽³⁾	MAX	UNIT	
Noise	Noise Floor CDS Gain = 1x PGA Gain = FE	5 MHz		1, 2	-66.0	-64.6		dB	
				3	-65.0	-62.5			
		15 MHz			-66.0			dB	
					-66.0				
		25 MHz			-66.0			dB	
					-65.0				
		40 MHz			1, 2	-66.0	-64.6		dB
					3	-66.5	-65.7		
	Noise Floor CDS Gain = 1x PGA Gain = FE	5 MHz			1, 2	8.20	9.6		LSB
					3	9.15	11.9		
		15 MHz				8.20			LSB
						8.20			
		25 MHz				8.20			LSB
						9.15			
		40 MHz			1, 2	8.20	9.45		LSB
					3	7.70	8.5		
	Noise Floor CDS Gain = 1x PGA Gain = 61	5 MHz			1, 2, 3	-79	-78		dB
						-79			
		15 MHz				-79			dB
						-79			
25 MHz					-79			dB	
					-79				
40 MHz				1, 2, 3	-79	-78		dB	
					-79				
Noise Floor CDS Gain = 1x PGA Gain = 61	5 MHz			1, 2, 3	1.8	2.05		LSB	
					1.8				
	15 MHz				1.8			LSB	
					1.8				
	25 MHz				1.8			LSB	
					1.8				
	40 MHz			1, 2, 3	1.8	2.05		LSB	
					1.8				
Channel to Channel Crosstalk		5 MHz		4, 5, 6	-79	-77		dB	
		15 MHz			-86				
		25 MHz			-79				
		40 MHz		4, 5, 6	-76	-74			
BMD	CDS Mode Bimodal Offset CDS Gain = 1x PGA Gain = 8x	5 MHz		1, 2, 3	2.2	6.0		mV	
		15 MHz			2.1				
		25 MHz			2.2				
		40 MHz		1, 2, 3	2.3	6.0			
	CDS Mode Bimodal Offset CDS Gain = 1x PGA Gain = 1x	5 MHz		1, 2, 3	0.35	1		mV	
		15 MHz			0.29				
		25 MHz			0.33				
		40 MHz		1, 2, 3	0.4	1.05			
SNR	Signal-to-Noise Ratio	5 MHz		4, 5	66.0	67.4		dB	
					6	63.0	64.2		
		15 MHz				68.0		dB	
						64.2			
		25 MHz				68.5		dB	
						64.2			
		40 MHz			4, 5	66.5	68.5		dB
						62.0	64.0		

LM98640QML-SP Electrical Characteristics⁽¹⁾⁽²⁾ (continued)

The following specifications apply for VDD33 = 3.3 V, VDD18 = 1.8 V, C_L = 10 pF, and f_{INCLK} = 40 MHz unless otherwise specified.

PARAMETER		TEST CONDITIONS	NOTES	SUB-GROUPS	MIN	TYP ⁽³⁾	MAX	UNIT	
THD	Total Harmonic Distortion	5 MHz		4, 5	-71.4	-69.0		dB	
				6	-69.9	-67.8			
		15 MHz				-75.1			dB
							-73.9		
		25 MHz					-68.9		dB
							-68.2		
		40 MHz			4, 5	-62.0	-60.0		dB
					6	-62.0	-60.0		
SFDR	Spurious-Free Dynamic Range	5 MHz		4, 5	69.4	71.5		dB	
				6	68.4	70.4			
		15 MHz					76.0		dB
							76.0		
		25 MHz					69.0		dB
							69.0		
		40 MHz			4, 5	60.0	62.0		dB
					6	60.0	62.0		
SINAD	Signal-to-Noise Plus Distortion Ratio	5 MHz		4, 5	65.0	67.0		dB	
				6	62.0	64.5			
		15 MHz					68.0		dB
							64.5		
		25 MHz					66.0		dB
							64.5		
		40 MHz			4, 5	59.0	61.0		dB
					6	59.0	60.5		
ENOB	Effective Number of Bits	5 MHz		4, 5	10.5	10.8		Bits	
				6	10.0	10.4			
		15 MHz					11.0		Bits
							10.4		
		25 MHz					10.7		Bits
							10.5		
		40 MHz			4, 5	9.5	9.8		Bits
					6	9.5	9.8		

6.7 AC Timing Specifications

The following specifications apply for VDD33 = 3.3 V, VDD18 = 1.8 V, C_L = 10 pF, and f_{INCLK} = 15 MHz unless otherwise specified.

PARAMETER		TEST CONDITIONS	NOTES	SUB-GROUPS	MIN	TYP ⁽¹⁾	MAX	UNIT
INPUT CLOCK TIMING SPECIFICATIONS								
f _{INCLK}	Input clock frequency	INCLK = ADCCLK (ADC Rate Clock)		9, 10, 11	5		40	MHz
T _{dc}	Input clock duty cycle			9, 10, 11	40/60%	50/50%	60/40%	
t _{LAT}	Pipeline latency		See ⁽²⁾				10	T _{ADC}
LVDS OUTPUT TIMING SPECIFICATIONS								
t _{DOD}	Data output delay	f _{INCLK} = 40 MHz INCLK = ADCCLK (ADC Rate Clock) LVDS Output Specifications not tested in production. Min/Max ensured by design, characterization and statistical analysis.		9, 10, 11	6.44		7.50	ns
t _{D50}	Dual lane mode			9, 10, 11	0.45	0.69		ns
	Odd data setup							
t _{D5E}	Dual lane mode			9, 10, 11	0.45	0.89		ns
	Even data setup							
t _{QSR}	Quad lane mode			9, 10, 11	0.45	0.63		ns
	Data to rising clock setup							
t _{QHF}	Quad lane mode		9, 10, 11	0.45	0.53		ns	
	Falling clock to data hold							
SERIAL INTERFACE TIMING SPECIFICATIONS								
f _{SCLK}	Input clock frequency	f _{SCLK} ≤ f _{INCLK}		9, 10, 11	1		20	MHz
		INCLK = ADCCLK						
		(ADC Rate Clock)						
	SCLK duty cycle			9, 10, 11	40/60	50/50	60/40	ns
t _{IH}	Input hold time			9, 10, 11	2.5	1		ns
t _{IS}	Input setup time			9, 10, 11	2.5	1		ns
t _{SENSC}	SCLK start time after $\overline{\text{SEN}}$ low			9, 10, 11	1.5	1		ns
t _{SCSEN}	$\overline{\text{SEN}}$ high after last SCLK rising edge			9, 10, 11	2.5	2		ns
t _{SEW}	$\overline{\text{SEN}}$ pulse width			9, 10, 11	8	6		ns
t _{OD}	Output delay time			9, 10, 11		10.54	11.6	ns
t _{HZ}	Data output to high Z			9, 10, 11		1.2	1.23	T _{SCLK}

(1) Typical figures are at T_A = 25°C, and represent most likely parametric norms at the time of product characterization. The typical specifications are not ensured.

(2) This parameter is ensured by design and/or characterization and is not tested.

LM98640QML-SP

SNAS461G –MAY 2010–REVISED NOVEMBER 2018

www.ti.com

6.8 Typical Performance Characteristics

$T_A = 25^\circ\text{C}$, $F_S = 15\text{ MHz}$, PGA Gain = 1x, CDS Gain = 1x, Dual Lane Output Mode, $F_{IN} = 7.48\text{ MHz}$ unless otherwise stated.

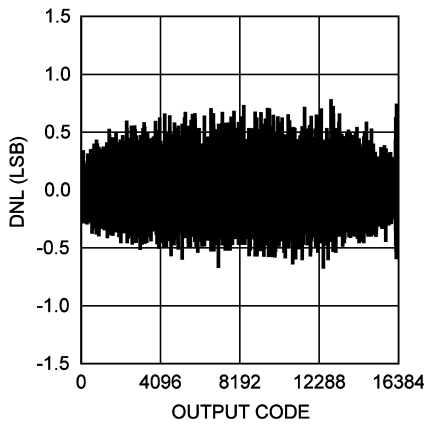


Figure 1. DNL vs Output Code

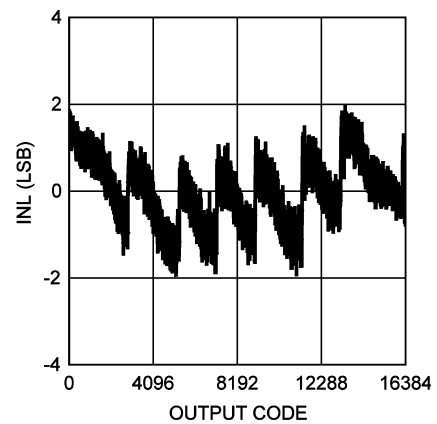


Figure 2. INL vs Output Code

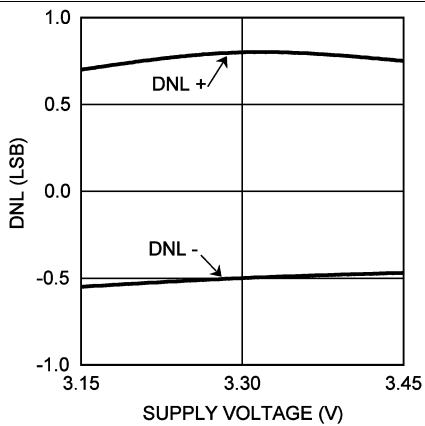


Figure 3. DNL vs Voltage

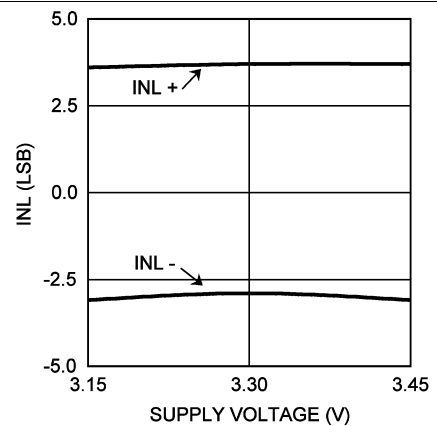


Figure 4. INL vs Voltage

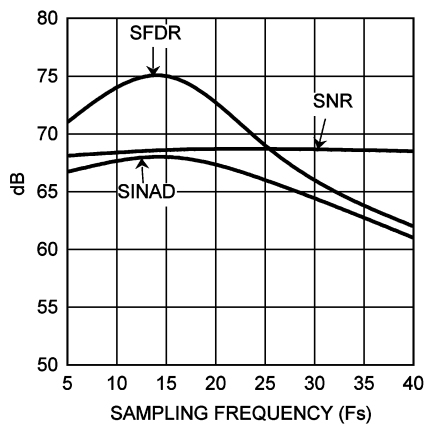


Figure 5. SNR, SFDR and SINAD vs F_S

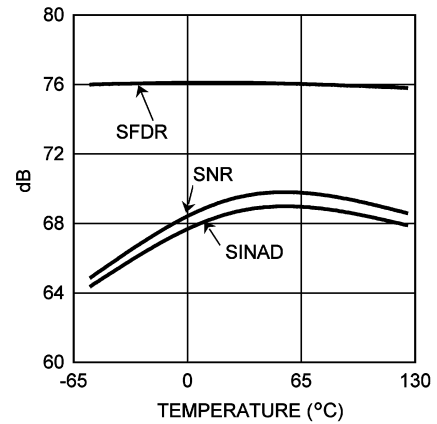


Figure 6. SNR, SFDR and SINAD vs Temperature

Typical Performance Characteristics (continued)

$T_A = 25^\circ\text{C}$, $F_S = 15\text{ MHz}$, PGA Gain = 1x, CDS Gain = 1x, Dual Lane Output Mode, $F_{IN} = 7.48\text{ MHz}$ unless otherwise stated.

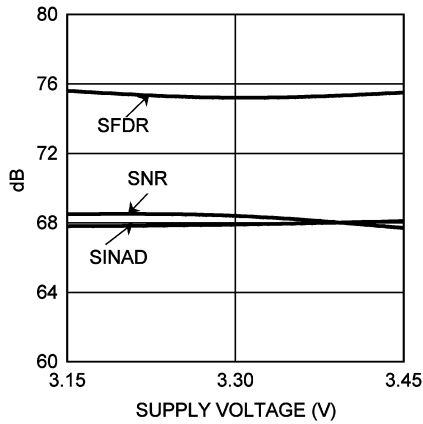


Figure 7. SNR, SFDR and SINAD vs Voltage

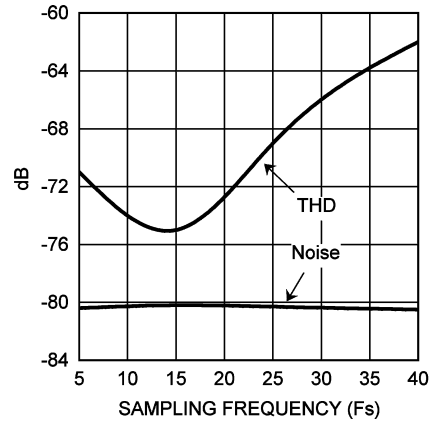


Figure 8. THD and Noise vs F_S

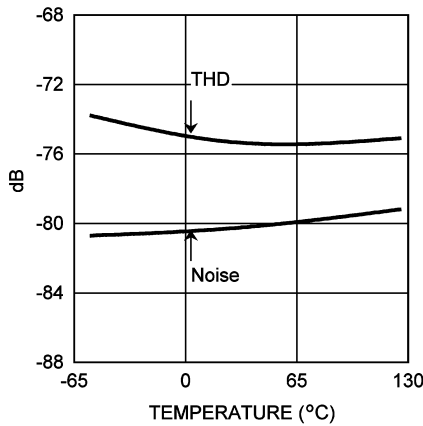


Figure 9. THD and Noise vs Temperature

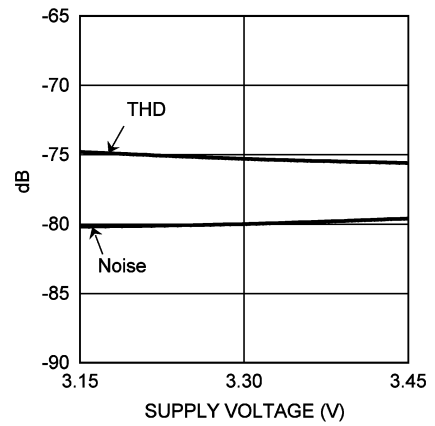


Figure 10. THD and Noise vs Voltage

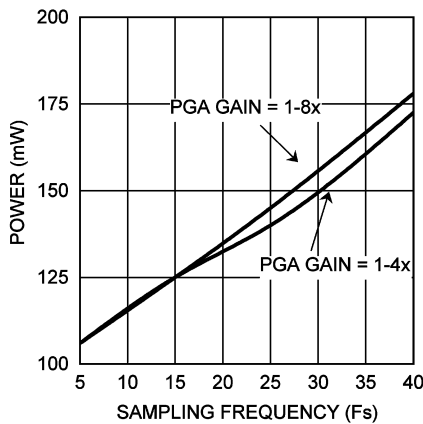


Figure 11. Power vs F_S

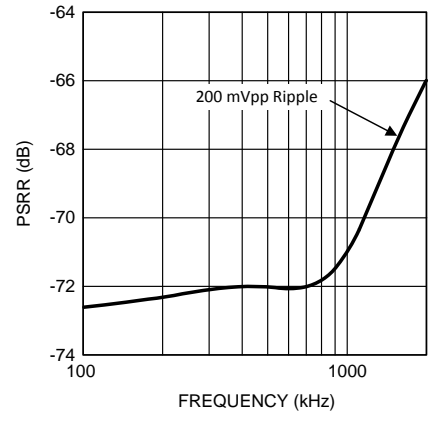


Figure 12. Dynamic PSRR vs Power Supply Frequency

7 Detailed Description

7.1 Overview

The LM98640QML-SP is a 14-bit, 5-MSPS to 40-MSPS, dual channel, complete Analog Front End (AFE) for digital imaging applications. The system block diagram of the LM98640QML-SP, shown in [Figure 29](#) highlights the main features of the device. Each input has its own Input Bias and Clamping Network and Correlated Double Sample (CDS) amplifier (which can also be configure to operate in Sample/Hold Mode). Two ± 8 -Bit Offset DACs apply independent coarse and fine offset correction for each channel. A -3 to 18 -dB Programmable Gain Amplifier (PGA) applies independent gain correction for each channel. The signals are digitized using two independent on chip high performance 14-bit, 40-MHz analog-to-digital converters. The data is finally output using a unique Serial LVDS output format that is tolerant to upsets preventing data loss.

7.2 Functional Block Diagram

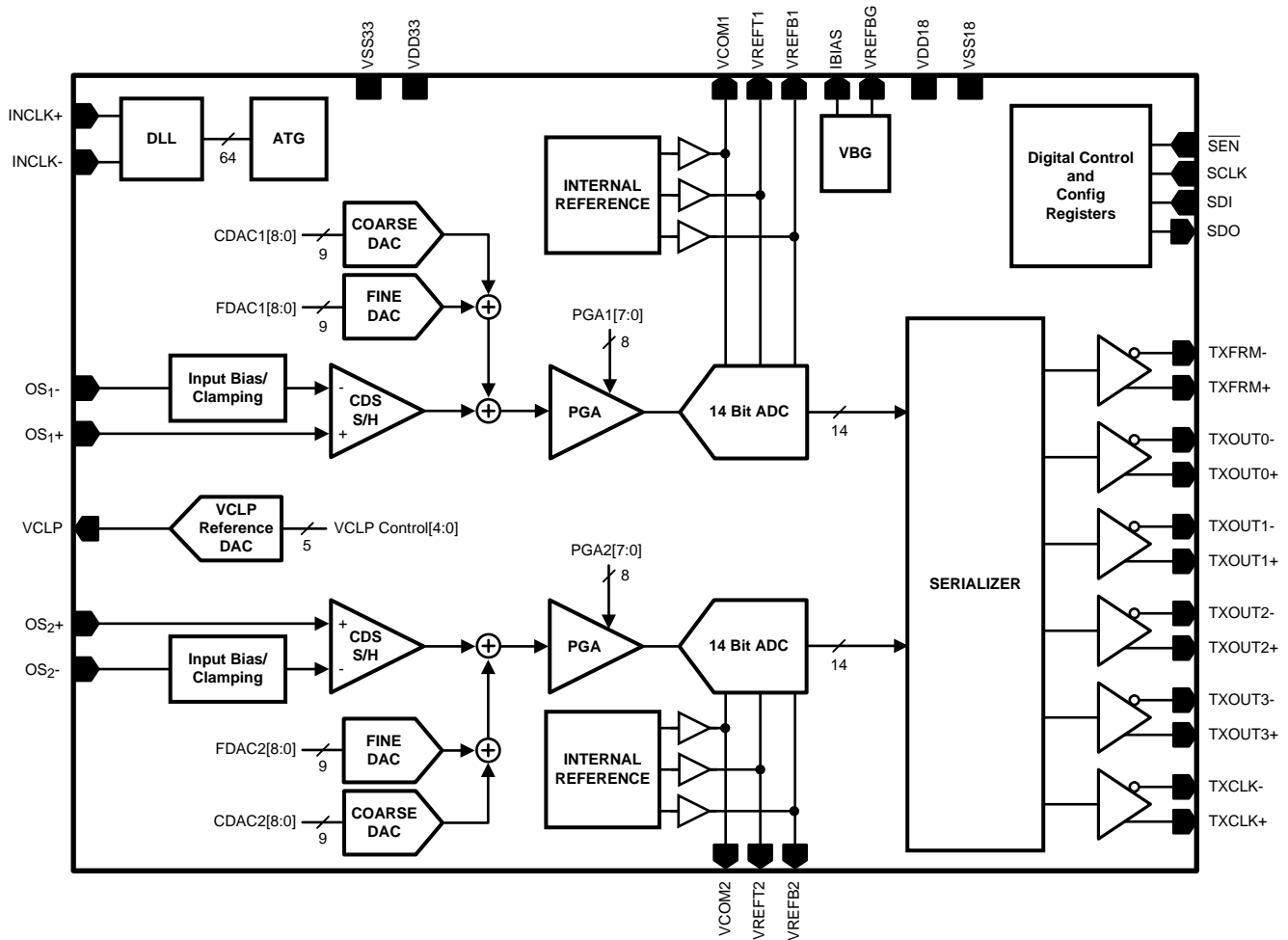


Figure 13. Chip Block Diagram

Functional Block Diagram (continued)

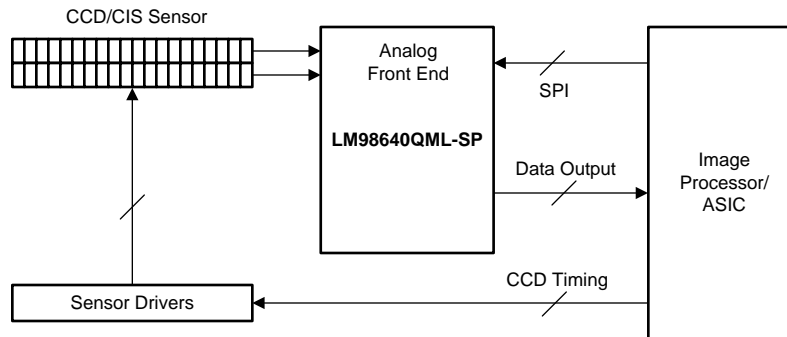


Figure 14. Typical CCD System

7.3 Feature Description

7.3.1 Input Sampling Modes

The LM98640QML-SP provides two input sampling modes, Sample & Hold mode and Correlated Double Sample (CDS) mode. The following sections describe these two input sampling modes.

7.3.1.1 Sample & Hold Mode

In Sample/Hold mode, a Video Level signal and a Reference Level signal need to be presented to the LM98640QML-SP. The Reference Level signal must be connected to the OS_{X+} pin, and the Video Level signal connected to the OS_{X-} pin. The output code will then be OS_{X+} minus OS_{X-} , or the difference between the Reference Level and Video Level. A minimum code represents zero deviation between the Reference and Video Levels and a maximum code represents a 2-V deviation between the Reference and Video Levels with CDS and PGA gains of 1x.

The Reference Level signal can be either an external signal from the image sensor, or the VCLP pin can be externally connected to the OS_{X+} pin. In order to fully utilize the range of the input circuitry it is desirable to cause the Black Level signal voltage to be as close to the Reference Level voltage as possible, resulting in a near zero scale output for Black Level pixels. The LM98640QML-SP provides several methods for ensuring the Black Level signal and Reference Level are matched, these are described in the [Input Bias and Clamping](#) section.

To place the LM98640QML-SP in Sample & Hold Mode from power up, first write the baseline configuration to the registers as shown in [Table 5](#). This configuration has Sample & Hold mode enabled by default. Next, the SAMPLE pulse must be properly positioned over the input signal using the CLAMP/SAMPLE Adjust.

7.3.1.1.1 Sample & Hold Mode CLAMP/SAMPLE Adjust

For accurate sampling of the input signals the LM98640QML-SP allows for full adjustment of the internal SAMPLE pulse to align it to the proper positions over the input signal. In Sample & Hold mode the SAMPLE pulse should be placed over the pixel output period of the image sensor. Only the Sample Start and Sample End Registers (0x22,0x23) need to be configured, the Clamp Start and Clamp End Registers (0x20,0x21) are not valid in Sample & Hold Mode. Internally the input clock is divided into 64 edges per clock period, the Sample Start and Sample End Registers correspond to the internal edge number the SAMPLE pulse will start and end. To adjust the SAMPLE pulse, first send the CLAMP and SAMPLE signals to the DTM pins by writing **10** to bits[4:3] of the Clock Monitor Register (0x09). This will allow the user to observe the SAMPLE pulse on pin DTM1 along with the image sensor output using an oscilloscope. Then, using the Sample Start and End Registers, adjust the SAMPLE pulse to align it over the Video Level portion of the image sensor output. To allow for settling and to reduce noise, the SAMPLE pulse should be made as wide as possible and fill the entire Video Level portion of the input signal.

Feature Description (continued)

Figure 15 shows some examples of an input waveform and where the SAMPLE pulse should be placed. Ideally the image sensor output would line up directly with the input clock at the AFE inputs, but due to trace delays in the system the image sensor output is delayed relative to the input clock. In the delayed image sensor waveform the Sample Start value is higher than the Sample End value. In this situation the SAMPLE pulse will start in one clock period and wraps around to the next. This allows the LM98640QML-SP to adjust for the delay in the image sensor waveform. Notice that edge zero of the internal clock does not line up with the rising edge of the input clock. This is due to internal delays of the clock signals. The amount of delay can be calculated from operating frequency using the following formula: $t_{DCLK} = 6.0 \text{ ns} + 3 / 64 \times T_{INCLK}$

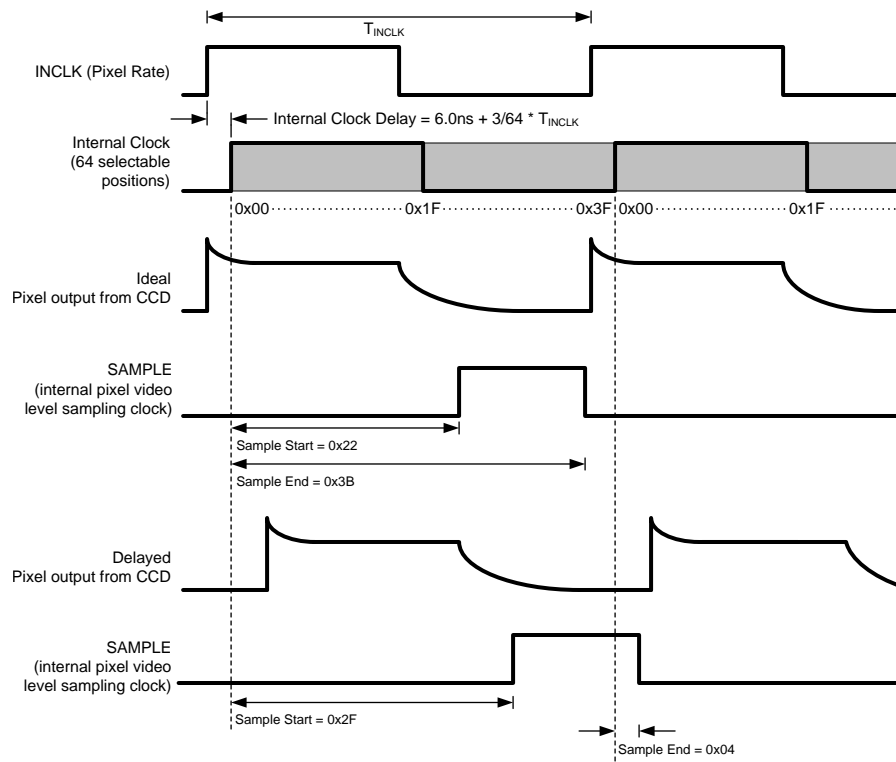


Figure 15. S/H Mode CLAMP/SAMPLE Adjust

7.3.1.2 CDS Mode

In CDS mode, both the Reference Level and Video Level are presented to the LM98640QML-SP on the OS_X^- pin. The OS_X^+ pin should be bypassed to ground with a 0.1- μF capacitor. The CLAMP pulse is then used to sample the Reference Level and the SAMPLE pulse is used to sample the Video Level. The output code will then be the Reference Level minus the Video Level, or the difference between the Reference Level and Video Level. A minimum code represents zero deviation between the Reference and Video Levels and a maximum code represents a 2-V deviation between the Reference and Video Levels with CDS and PGA gains of 1x.

To place the LM98640QML-SP in CDS Mode from power up, first write the baseline configuration to the registers as shown in Table 5. Then ensure S/H mode is disabled by clearing bit[7] of the Sample & Hold Register (0x06), then enable CDS mode by setting bit[0] of the Main Configuration Register (0x00). Next the CLAMP and SAMPLE pulses need to be positioned correctly over the reference and video levels respectively using the CLAMP/SAMPLE Adjust.

7.3.1.2.1 CDS Mode Bimodal Offset

In CDS mode, the input sampling amplifier has two physical paths through which a particular pixel will be sampled. These two sampling paths are a requirement in the Correlated Double Sampling architecture. The sampling of the one pixel will travel the first path (arbitrarily called an even pixel), and the sampling of the next pixel will travel the second path (called an odd pixel). The sampling will continue in an even/odd/even/odd fashion for all pixels processed in a particular channel. Due to slight variances in the sampling paths (most

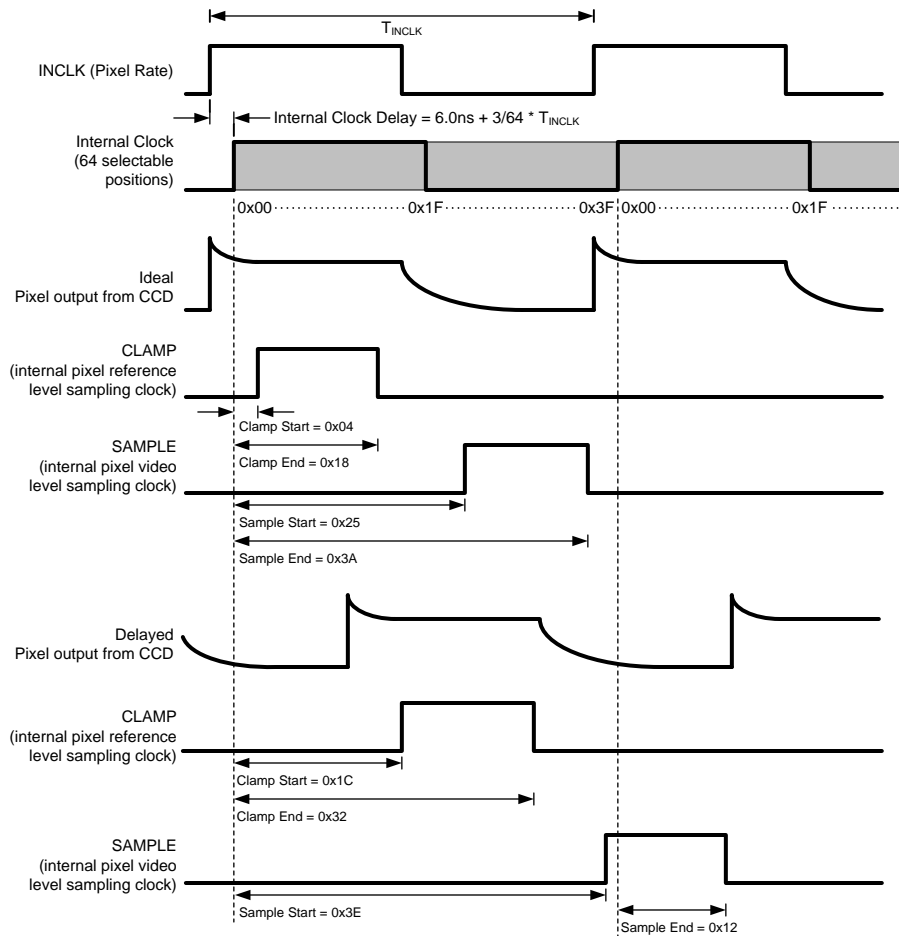
Feature Description (continued)

commonly a difference in switched capacitor matching), the processing of identical pixels through the two different paths may result in a small offset in ADC output data between the two paths. To correct this, a simple digital offset can be applied in post processing to either the even pixel data or the odd pixel data. To simplify this action, the LM98640QML-SP will indicate (with the TXFRM signal) whether the pixel traveled the even path or the odd path. For all "Odd" pixels, the TXFRM signal is high for three TXCLK periods. For "Even" pixels, the TXFRM signal is high for two TXCLK periods. In Sample and Hold Mode there is only one sampling path, therefore there is no need to indicate an even or odd pixel. As a result, the TXFRM signal is the same for every pixel in Sample and Hold mode (i.e. high for three TXCLK periods).

7.3.1.2.2 CDS Mode CLAMP/SAMPLE Adjust

In CDS mode, the LM98640QML-SP utilizes two input networks, alternating between them every pixel, to increase throughput speeds. Because of this, there are two sets of CLAMP and SAMPLE windows defined in [Table 8](#), one for even pixels and one for odd. Sample Start and Sample End Registers (0x22,0x23) along with the Clamp Start and Clamp End Registers (0x20,0x21) control both the even and odd CLAMP and SAMPLE pulses. To adjust the CLAMP and SAMPLE pulses, first send the CLAMP_{ODD} and SAMPLE_{ODD} signals to the DTM pins by writing **10** to bits[4:3] of the Clock Monitor Register (0x09). This will allow the user to observe the CLAMP_{ODD} and SAMPLE_{ODD} pulses on pins DTM0 and DTM1 along with the image sensor output using an oscilloscope. The CLAMP and SAMPLE pulses will only be shown for every other pixel because of the even odd architecture, but the positions of the even CLAMP and SAMPLE pulses will be identically defined to that of the odd CLAMP and SAMPLE; however, odd and even path mismatch could result in a slightly different position of the pulses. Then, using the Clamp Start/End and Sample Start/End registers, adjust the positions of the CLAMP and SAMPLE pulses to align them over the Reference and Video Levels of the input signal. To allow for settling and to reduce noise, the CLAMP and SAMPLE pulses should be made as wide as possible and placed near the far edge of their respective input levels.

The following figure shows some examples of input CCD waveforms and placement of the CLAMP and SAMPLE positions for each. Ideally the CCD output would line up directly with the input clock at the AFE inputs, but due to trace delays in the system the CCD output is delayed relative to the input clock. In the Delayed CCD waveform the Sample Start/End Register values are lower than the Clamp Start/End Register Values. In this situation the sample pulse is not generated until the next clock period, which allows it to be correctly placed in the Video Level of the input signal. Notice that edge zero of the internal clock does not line up with the rising edge of the input clock. This is due to internal delays of the clock signals. The amount of delay can be calculated from operating frequency using the following formula: $t_{DCLK} = 6.0 \text{ ns} + 3 / 64 \times T_{INCLK}$

Feature Description (continued)

Figure 16. CDS Mode CLAMP/SAMPLE Adjust
7.3.2 Input Bias and Clamping

The inputs to the LM98640QML-SP are typically AC coupled in Correlated Double Sampling Mode (CDS Mode) because of the switching between two signals. In Sample and Hold Mode (S/H Mode), DC coupling or AC coupling is possible depending on the signal type. The circuit of [Figure 17](#) shows the input structure of the LM98640QML-SP. The DC bias point for the LM98640QML-SP side of the AC coupling capacitor can be set using an external DC bias resistor network, by using the CLPIN configuration, or by using the BITCLP configuration. A typical CCD waveform is shown in [Figure 18](#). Also shown in [Figure 18](#) is an internal signal “CLAMP” which can be used to “gate” the CLPIN signal so that it only occurs during the “pedestal” portion of the CCD pixel waveform.

Feature Description (continued)

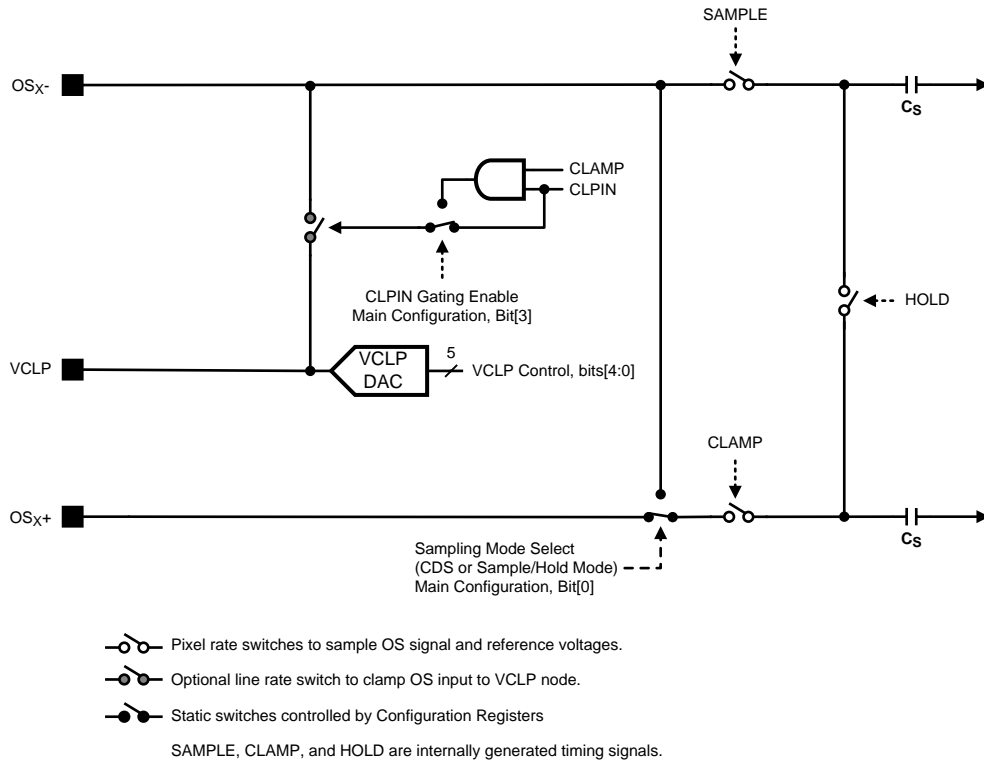


Figure 17. Input Structure Diagram

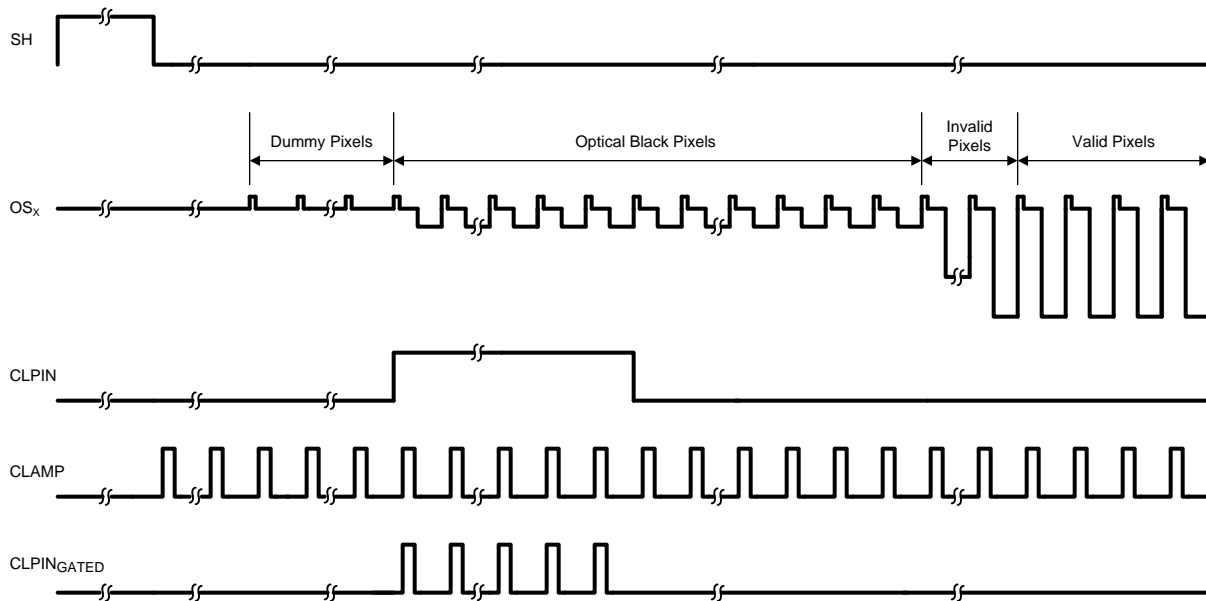


Figure 18. Typical CCD Waveform and LM98640QML-SP Input Clamp Signal (CLPIN)

Feature Description (continued)

7.3.2.1 Sample and Hold Mode Biasing

Proper DC biasing of the CCD waveform in Sample and Hold mode is critical for realizing optimal operating conditions. In Sample/Hold Mode, the DC bias point of the input pin is typically set by actuating the input clamp switch (see Figure 17) during optical black pixels which connects the input pins to the VCLP pin DC voltage. The signal controlling this switch is CLPIN. CLPIN is an external signal connected on the CLPIN pin.

Actuating the input clamp will force the average value of the CCD waveform to be centered around the VCLP DC voltage. During Optical Black Pixels, the CCD output has roughly three components. The first component of the pixel is a “Reset Noise” peak followed by the Reset (or Pedestal) Level voltage, then finally the Black Level voltage signal. Taking the average of these signal components will result in a final “clamped” DC bias point that is close to the Black Level signal voltage.

To provide a more precise DC bias point (i.e. a voltage closer to the Black Level voltage), the CLPIN pulse can be “gated” by the internally generated CLAMP clock. This resulting $CLPIN_{GATED}$ signal is the logical “AND” of the CLAMP and CLPIN signals as shown in Figure 18. By using the $CLPIN_{GATED}$ signal, the higher Reset Noise peak will not be included in the clamping period and only the Pedestal Level components of the CCD waveform will be centered around VCLP.

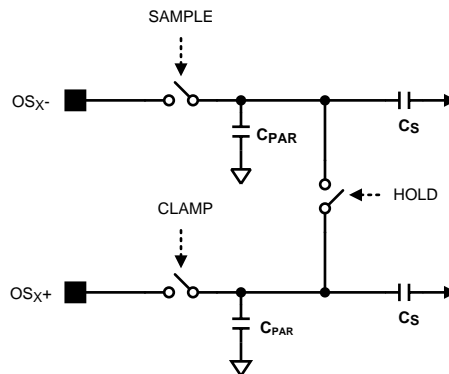


Figure 19. Sample and Hold Mode Simplified Input Diagram

In Sample and Hold Mode, the impedance of the analog input pins is dominated by the switched capacitance of the CDS/Sample and Hold amplifier. The amplifier switched capacitance, shown as C_S in Figure 19, and internal parasitic capacitances can be estimated by a single capacitor switched between the analog input and the VCLP reference pin for Sample and Hold mode. During each pixel cycle, the modeled capacitor, C_{SH} , is charged to the OS_{X+} minus OS_{X-} voltage then discharged. The average input current at the OS_{X-} pin can be calculated knowing the input signal amplitude and the frequency of the pixel.

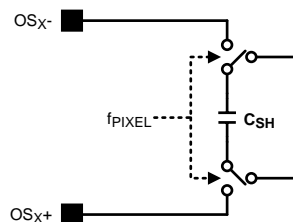


Figure 20. Equivalent Input Switched Capacitance S/H Mode

Feature Description (continued)

7.3.2.2 CDS Mode Biasing

Correlated Double Sampling mode does not require as precise a DC bias point as does Sample and Hold mode. This is due mainly to the nature of CDS itself, that is, the Video Signal voltage is referenced to the Reset Level voltage instead of the static DC VCLP voltage. The common mode voltage of these two points on the CCD waveform have little bearing on the resulting differential result. However, the DC bias point does need to be established to ensure the CCD waveform's common mode voltage is within rated operating ranges.

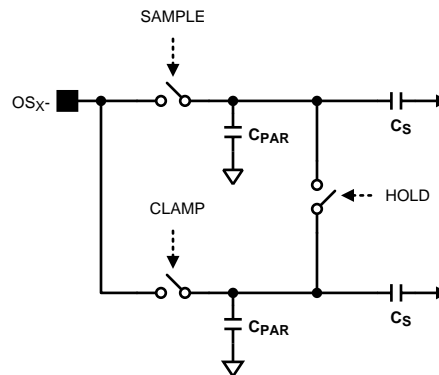


Figure 21. CDS Mode Simplified Input Diagram

The CDS mode biasing can be performed in the same way as described in the [Sample and Hold Mode Biasing](#) section, or, an external resistor divider can be placed across the OSX- input to provide the DC bias voltage. In CDS Mode the OSX+ pins should each be decoupled with 0.1- μ F capacitors to ground.

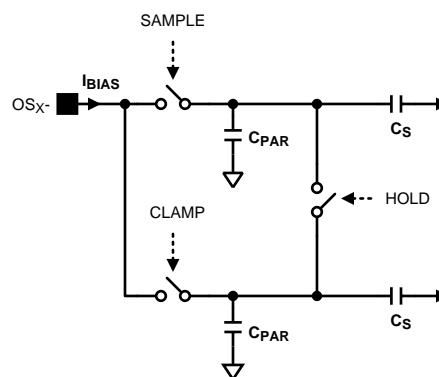


Figure 22. CDS Mode Input Bias Current

Unlike in Sample and Hold Mode, the input bias current in CDS Mode is relatively small. Due to the architecture of CDS switching, the average charge loss or gain on the input node is ideally zero over the duration of a pixel. This results in a much lower input bias current, whose main source is parasitic impedances and leakage currents. As a result of the lower input bias current in CDS Mode, maintaining the DC Bias point the input node over the length of a line will require a much smaller AC input coupling capacitor.

Feature Description (continued)

7.3.2.3 VCLP DAC

The VCLP pin can be used to provide the reference level for incoming signals in Sample and Hold Mode. The pin is driven by the VCLP DAC, the VCLP DAC has five bits and has an approximate range of 2.9 V. The VCLP DAC is controlled by the VCLP Control Register (0x04), and programmable through the serial interface.

7.3.3 Programmable Gain

The LM98640QML-SP provides two independent gain stages. The first stage is in the input CDS/SH circuit. The second is in the form of a Programmable Gain Amplifier (PGA).

7.3.3.1 CDS/SH Stage Gain

The CDS/SH gain is programmable to either 0-dB or 6-dB gain. The load presented to the user in 6-dB mode is roughly twice the switched load of 0-dB mode. The CDS/SH gain settings affect both channels. The CDS/SH gain bit is located in bit 2 of the Main Configuration register, and programmable through the serial interface.

7.3.3.2 PGA Gain Plots

The PGA has an 8-bit resolution with a gain range of –3 dB to 18 dB. [Figure 23](#) below shows a plot for the gain. Each channel has a independent PGA controlled by registers CH1 PGA and CH2 PGA, and programmable through the serial interface.

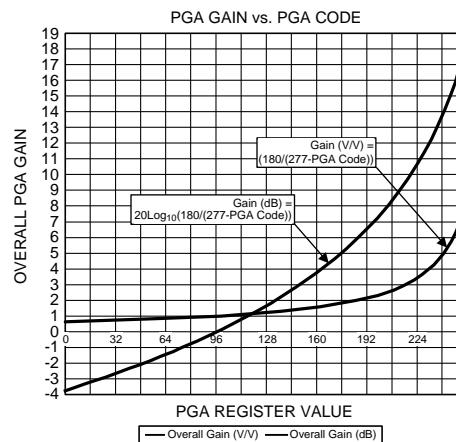


Figure 23. PGA Gain vs PGA Gain Code

Feature Description (continued)

7.3.4 Programmable Analog Offset Correction

The LM98640QML-SP provides two analog DACs per channel to provide flexibility in offset control. Each channel has a Coarse DAC and Fine DAC which have ± 8 -bit resolutions (8 bit + Sign). The two DACs can be used independently or as Coarse/Fine configuration. The Coarse DAC provides a sufficient range with moderate step sizes, while the Fine DAC is for designs which need a finely tuned offset. The correction voltage is applied to the "Video" level for both Sample & Hold and CDS input modes. Because of the DACs location in the signal path, the correction range lowers as CDS gain increases, and the output referred correction steps and ranges increase with PGA gain. [Table 1](#) provides the range and step size of each DAC.

Table 1. Analog Offset DAC Specifications

	CDS/SH GAIN	RANGE ⁽¹⁾	STEP SIZE ⁽¹⁾	OUTPUT ADC CODES
Coarse DAC	1x	± 250 mV	1 mV	± 2048
	2x	± 125 mV	500 μ V	± 2048
Fine DAC	1x	± 5 mV	20 μ V	± 41
	2x	± 2.5 mV	10 μ V	± 41

(1) Referred to Input

To use the Offset Correction DACs, the Coarse DAC and Fine DAC must be enabled using bits[6:5] of the Main Configuration Register (0x00). Then the desired correction value should be entered into the CDAC or FDAC register of the appropriate channel. The Offset Correction DACs use a signed binary format which is summarized in [Table 2](#).

Table 2. Analog Offset Correction DAC Format

CDAC / FDAC INPUT VALUE	CDAC CORRECTION (CODES)	FDAC CORRECTION (CODES)
1 1111 1111	+2048	+41
1 0111 1111	+1024	+20
0 1111 1111	0	0
0 0111 1111	-1024	-20
0 0000 0000	-2048	-41

7.3.5 Analog to Digital Converter

The LM98640QML-SP has a 14-bit Analog to Digital Converter (ADC) for each channel. Each ADC has maximum and minimum conversion rate of 40 MSPS and 5 MSPS per channel respectively. The DNL performance is ± 0.5 LSB and ± 2 LSB for INL for a 14-bit out. The noise floor is -79 dB at 2 V with a programmable gain of 0 dB. If an out of range pixel is presented to the ADC, the ADC will return to full compliance within two cycles of the pixel clock.

7.3.6 LVDS Output

7.3.6.1 LVDS Output Voltage

The LM98640QML-SP output data is presented in LVDS format. [Table 3](#) shows the available LVDS differential output voltage (VOD) settings and its associated offset voltage (VOS).

Table 3. LVDS Differential Output Voltage Settings

VOD	VOS
250 mV	1.2 V
300 mV	1.2 V
350 mV	1.1 V
400 mV	1.1 V

7.3.6.2 LVDS Output Modes

The LM98640QML-SP has a unique serial LVDS output format to protect data transfer during DLL upsets. The format provides a buffer on either side of the data word, this is accomplished by clocking a 14-bit word using a 16-bit clock rate. In the event of an upset that affects the DLL the output clock period could fluctuate; with no buffer for the data word this fluctuation could cause the loss of one or more of the data word bits, but because the LM98640QML-SP provides the buffer the fluctuation does not cause any data loss. The data can also be sent out in two modes: Dual or Quad Lane. The following sections describe these two modes.

7.3.6.3 TXFRM Output

The LM98640QML-SP output includes a frame signal (TXFRM) that should be used to locate the beginning and end of a particular pixel's serial data word. The rising edge of TXFRM is coincident with the pixel's leading bit transition (TXOUT MSB). This TXFRM rising edge can be detected by the capturing FPGA or ASIC to mark the start of the serial data word.

In CDS mode, the input sampling amplifier has two physical paths through which a particular pixel will be sampled. These two sampling paths are a requirement in the Correlated Double Sampling architecture. The sampling of the one pixel will travel the first path (arbitrarily called an even pixel), and the sampling of the next pixel will travel the second path (called an odd pixel). The sampling will continue in an even/odd/even/odd fashion for all pixels processed in a particular channel. Due to slight variances in the sampling paths (most commonly a difference in switched capacitor matching), the processing of identical pixels through the two different paths may result in a small offset in ADC output data between the two paths. To correct this, a simple digital offset can be applied in post processing to either the even pixel data or the odd pixel data. To simplify this action, the LM98640QML-SP will indicate (with the TXFRM signal) whether the pixel traveled the even path or the odd path. For all "Odd" pixels, the TXFRM signal is high for three TXCLK periods. For "Even" pixels, the TXFRM signal is high for two TXCLK periods. In Sample and Hold Mode there is only one sampling path, therefore there is no need to indicate an even or odd pixel. As a result, the TXFRM signal is the same for every pixel in Sample and Hold mode (i.e. high for three TXCLK periods).

7.3.6.3.1 Output Mode 1 - Dual Lane

In Dual Lane mode each input channel has its own data output presented at 16x the pixel clock rate. A frame signal (TXFRM) is output at the pixel clock rate with the rising edge occurring coincident with the transition of the MSB of the data. In Sample/Hold Modes of operation, the falling edge is coincident with the transition of bit 7 of the data. In CDS Mode, the falling edge of TXFRM toggles between the transition of bit 9 and bit 7 of the data. A differential clock is also output with transitions aligned with the center of the data eye. Data rates for Dual Lane mode range from 80 Mbps, with a 5-MHz clock, up to 640 Mbps, with a 40-MHz clock.

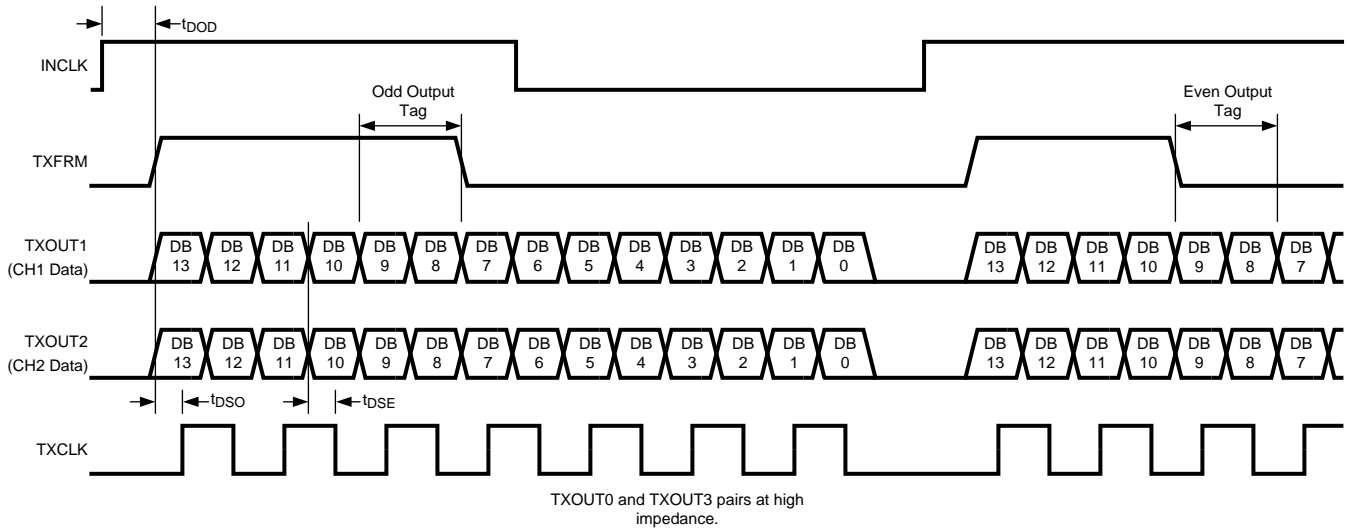


Figure 24. Dual Lane LVDS Output Timing Diagram

7.3.6.3.2 Output Mode 2 - Quad Lane

In Quad Lane mode each input channel is split into two data lanes which are presented at 8x the pixel rate. The MSBs (bits 13 through 7) will be presented to one channel while the LSBs (bits 6 through 0) will be presented to the other. A frame signal is run at the pixel clock rate with the rising edge coincident with the transition of the MSB of the data and the falling edge coincident with the transition of bits 10 and 3 of the data lanes for an odd output value, and coincident with the transition of bits 11 and 4 for a even output value. A differential clock is also output with rising edge transitions aligned within each data eye. Data rates for Quad Lane mode range from 40 Mbps, with a 5-MHz clock, up to 320 Mbps, with a 40-MHz clock.

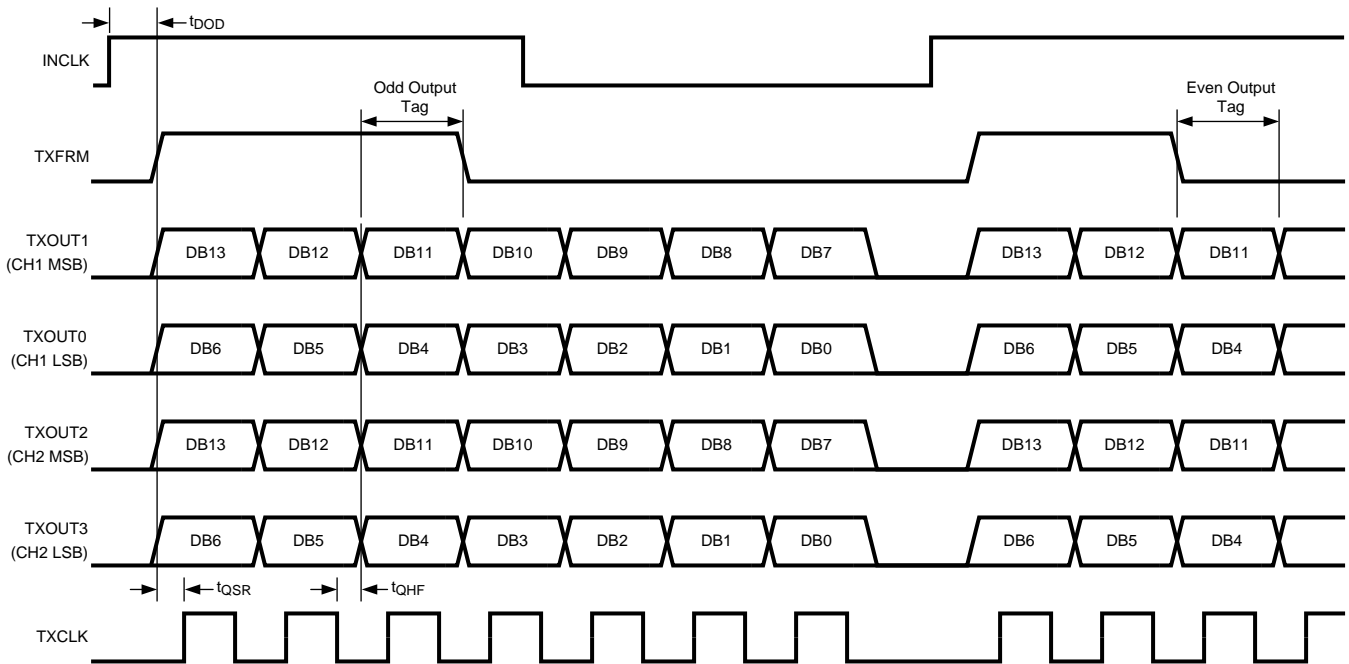


Figure 25. Quad Lane LVDS Data Output Timing Diagram

7.3.7 Clock Receiver

A differential clock receiver is used to generate all clock signals on the LM98640QML-SP. The clock input should be externally terminated with 100 Ω between the input clock pins. The clock may be DC or AC coupled to the AFE.

7.3.8 Power Trimming

The LM98640QML-SP provides an adaptive power scaling feature that allows the user to optimize power consumption based on the maximum operating frequency and the maximum amount of gain required. The power scaling mode is selectable through the PGA Power Trimming and ADC Power Trimming registers (0x02,0x03). The settings in these registers are common for both channels PGA and ADC. Using these registers the user can control the current of the two stages of the PGA, and the current for the two levels of the ADC. The following table provides a set of baseline configurations for various operating frequencies and gain ranges.

These configurations should be treated as baseline values and can be tuned to your specific application.

OPERATING FREQUENCY	1-4x MAX PGA GAIN	1-8x MAX PGA GAIN
5 - 15 MSPS	PGA Power Trimming = 0x00 ADC Power Trimming = 0x00	PGA Power Trimming = 0x01 ADC Power Trimming = 0x00
15 - 25 MSPS	PGA Power Trimming = 0x01 ADC Power Trimming = 0x00	PGA Power Trimming = 0x09 ADC Power Trimming = 0x00
25 - 40 MSPS	PGA Power Trimming = 0x01 ADC Power Trimming = 0x08	PGA Power Trimming = 0x09 ADC Power Trimming = 0x08

7.4 Device Functional Mode

7.4.1 Powerdown Modes

The LM98640QML-SP provides several ways to save power when the device is not in normal usage mode. Using the Powerdown Control Register (0x01) the part can be placed into Powerdown Mode, or Single Channel Mode. In Powerdown Mode (Powerdown Control, bit[7]) the following blocks are placed in a Powerdown mode: VCLP, Channel 1 and 2 Reference Buffers, Channel 1 and 2 PGA OpAmps, and Channel 1 and 2 Amplifiers. Powerdown Mode will override all other Powerdown Control Register bits. To place the part in Single Channel Mode each block of the unused channel can be powered down using their respective control bits (Powerdown Control, bits[5:0]). If an external reference clamp is used the VCLP block can be powered down during any Power mode. For applications operating at a low enough frequency additional power can be saved by powering down one channel reference buffer, then externally tie both channel's reference pins together.

7.4.2 LVDS Test Modes

The LVDS test modes present programmable data patterns to the input of the LVDS serializer block. The type of pattern is selectable through the Test Pattern Control register. Once the LVDS test mode is enabled the patterns are output indefinitely. [Table 4](#) below shows the available test pattern modes.

Table 4. Test Pattern Modes

TEST PATTERN CONTROL[6:4]	TEST MODE
000	Fixed Code
001	Horizontal Gradient
010	Vertical Gradient
011	Lattice Pattern
100	Strip Pattern
101	LVDS Test Pattern (Synchronous)
110	LVDS Test Pattern (Asynchronous)
111	Reserved

Each pattern consists of a Start Period and Valid Pixel region. During the Start Period the output is the minimum code (0x0000). The Valid Pixel region contains the selected Test Pattern Mode output. The length (in pixels) of the Start period is set using the Test Pattern Start register, and the width of the Valid Pixel region is set using the Test Pattern Width register.

To start the test pattern generation, enable Test Mode using bit[1] of the Test and Scan Register (0x3D). Then load all parameters for the desired test pattern into the registers, and set Pattern Enable bit of the Test Pattern Control Register (0x34). Changing pattern parameters after the Pattern Enable bit is set may result in undesired output. The pattern will start at the next leading edge of CLPIN.

7.4.2.1 Test Mode 0 - Fixed Pattern

This test mode provides an LVDS output with a fixed value output during the valid pixel region. The fixed value is set via the Test Pattern Value registers. The Test Pattern Value register is split into two registers the upper 6 bits of the test code in first register, and the lower 8 bits of the test code in the second.

7.4.2.2 Test Mode 1 - Horizontal Gradient

This mode provides LVDS data that progresses horizontally from dark to light output values. This mode is highly variable, allowing control over the starting value of the gradient, the width of the gradient, and the increment rate of the gradient. The starting value can be set in the Test Pattern Value register, the width (in number of pixels) of each gradient step is set via Test Pattern Pitch register, and increment rate (in LSBs) is set via the Test Pattern Step register. When the LVDS Horizontal Gradient test pattern is selected, the ramp begins immediately and counts to the maximum value, and then repeats throughout the entire Valid Pixel region.

7.4.2.3 Test Mode 2 - Vertical Gradient

This mode is similar to the Horizontal Gradient, only the gradient is in the vertical direction. See the Horizontal Gradient mode description for details.

7.4.2.4 Test Mode 3 - Lattice Pattern

This mode provides LVDS data that creates a lattice grid. The lattice is made of dark lines on a light background. The line output value is set by Test Pattern Step register, and background value is set by Test Pattern Value register. The number of pixels & lines in the lattice is set via Test Pattern Pitch register.

7.4.2.5 Test Mode 4 - Stripe Pattern

This mode provides LVDS data that creates a vertical stripe pattern. The stripe pattern is made of dark and light lines. The output value of the dark portion is set via Test Pattern Step register, and the light portion is set via Test Pattern Value register. The stripe width in pixels is set via Test Pattern Pitch register.

7.4.2.6 Test Mode 5 - LVDS Test Pattern (Synchronous)

This mode provides an LVDS output with a fixed value repeated continuously. The pattern starts at the leading edge of CLPIN. The fixed value is set via the Test Pattern Value registers. The Test Pattern Value register is split into two registers the upper 8 bits of the test code in first register, and the lower 8 bits of the test code in the second. This is useful for system debugging of the LVDS link and receiver circuitry.

7.4.2.7 Test Mode 6 - LVDS Test Pattern (Asynchronous)

This mode provides an LVDS output with a fixed value repeated continuously. The pattern starts asynchronously without CLPIN. The fixed value is set via the Test Pattern Value registers. The Test Pattern Value register is split into two registers the upper 8 bits of the test code in first register, and the lower 8 bits of the test code in the second. This is useful for system debugging of the LVDS link and receiver circuitry.

7.4.2.8 Pseudo Random Number Mode

This mode provides LVDS data produced from the following polynomial:

$$P(x) = X^{14} + X^{13} + X^{11} + X^9 + 1$$

To start the Pseudo Random Number mode, set the Test Mode bit of the Test and Scan Register. Then load the seed value in the Test Pattern Value register, and set the Pseudo Random Enable bit of the Test Pattern Control register. The pattern will start outputting after the next leading edge of CLPIN.

7.5 Programming

7.5.1 Serial Interface

A serial interface is used to write and read the configuration registers. The interface is a four wire interface using SCLK, $\overline{\text{SEN}}$, SDI, and SDO connections. The serial interface clock (SCLK) must be less than the main input clock (INCLK) for INCLK speeds of less than 20 MHz, for INCLK speeds greater than 20-MHz SCLK must remain below 20 MHz. The main input clock (INCLK) to the LM98640QML-SP must be active during all Serial Interface commands. The Serial Interface pins are high impedance while $\overline{\text{SEN}}$ is high, this allows multiple slave devices to be used with a single master device.

After power-up, all configuration registers must be written, using the serial interface, to place the part in a valid state.

Default registers must be written to the baseline values.

Be sure to set the INCLK Range (2x05) and Sample & Hold (0x06) registers for the sample rate being used.

Write the Clock Monitor (0x09) register after the Test & Scan Control (3x0D) register.

7.5.2 Writing to the Serial Registers

To write to the serial registers using the four wire interface, the timing diagram shown in [Figure 26](#) must be met. First, $\overline{\text{SEN}}$ is toggled low. At the rising edge of the first clock, the master should assume control of the SDI pin and begin issuing the write command. The write command is built of a "write" bit (0), device address bit (0), six bit register address, and eight bit register value to be written. SDI is clocked into the LM98640QML-SP at the rising edge of SCLK. The LM98640QML-SP assumes control of the SDO pin during the first eight clocks of the cycle. During this period, data is clocked out of the device at the rising edge of SCLK. The eight bit value clocked out is the contents of the previously addressed register, regardless if the previous command was a read or a write. When $\overline{\text{SEN}}$ toggles high, the register is written to, and the LM98640QML-SP now functions with this new data.

7.5.3 Reading the Serial Registers

To read to the serial registers using the four wire interface, the timing diagram shown in [Figure 27](#) must be met. Reading the registers takes two cycles. To start the first cycle, $\overline{\text{SEN}}$ is toggled low. At the rising edge of the first clock, the master should assume control of the SDI pin and begin issuing the read command. The read command is built of a "read" bit (1), device address bit (0), six bit register address, and eight "don't care" bits. SDI is clocked into the LM98640QML-SP at the rising edge of SCLK. $\overline{\text{SEN}}$ is toggled high for a delay of at least t_{SENW} (see [Figure 28](#)). The second cycle begins when $\overline{\text{SEN}}$ is toggled low. The LM98640QML-SP assumes control of the SDO pin during the first eight clocks of the cycle. During this period, data is clocked out of the device at the rising edge of SCLK. The eight bit value clocked out is the contents of the previously addressed register. The next command can be sent on the SDI pin simultaneously during this second cycle. When $\overline{\text{SEN}}$ toggles high, the register is not written to, but its contents are staged to be outputted at the beginning of the next command.

Programming (continued)

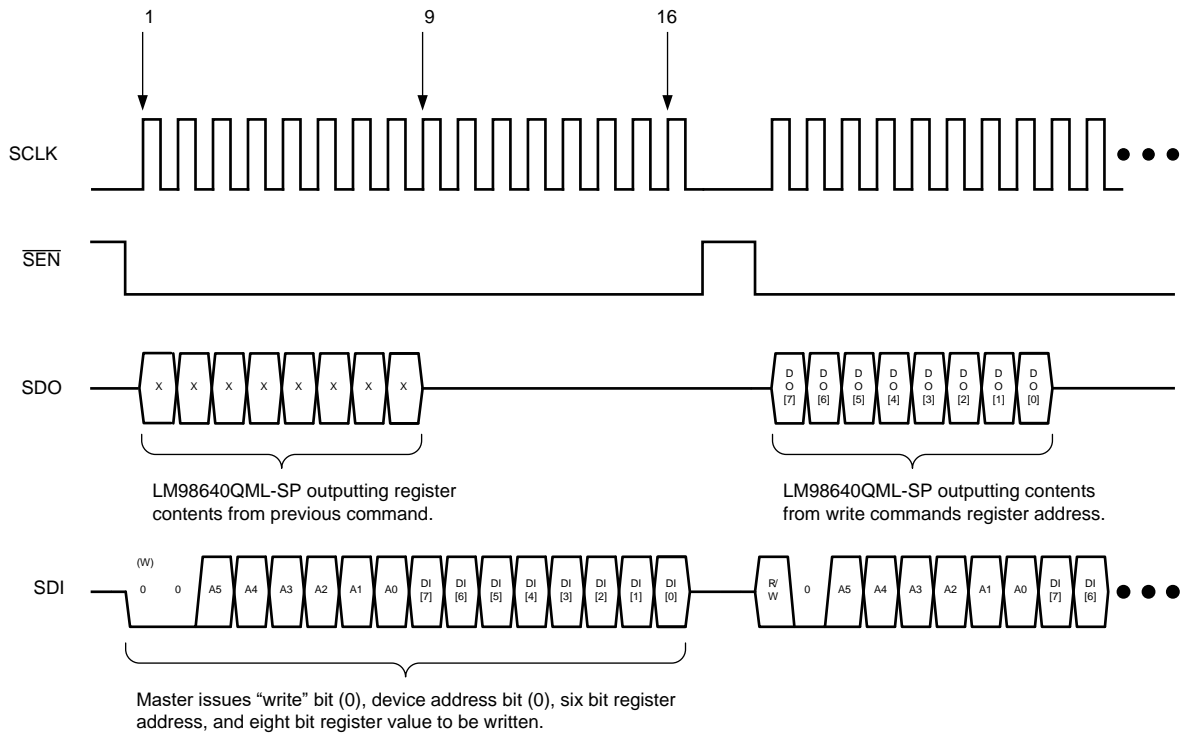


Figure 26. Four Wire Serial Write

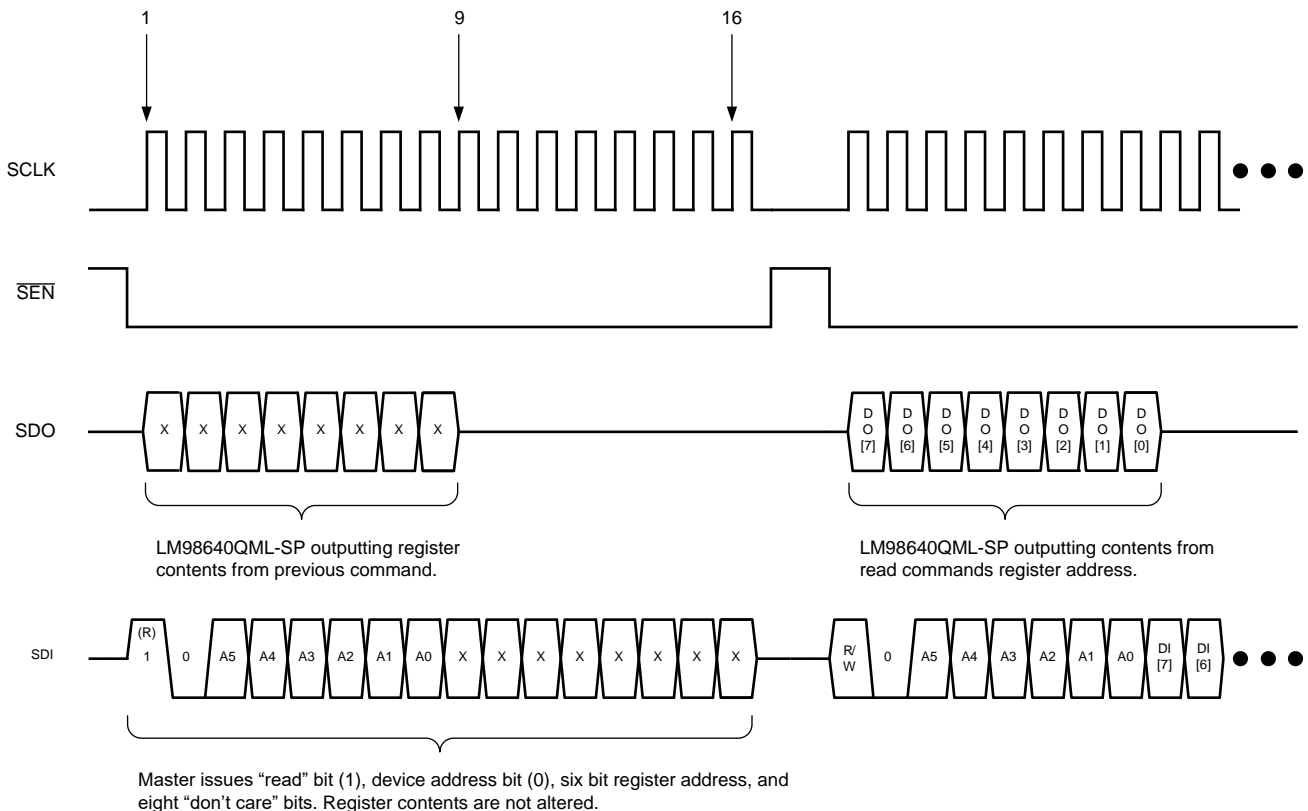


Figure 27. Four Wire Serial Read

Programming (continued)

7.5.4 Serial Interface Timing Details

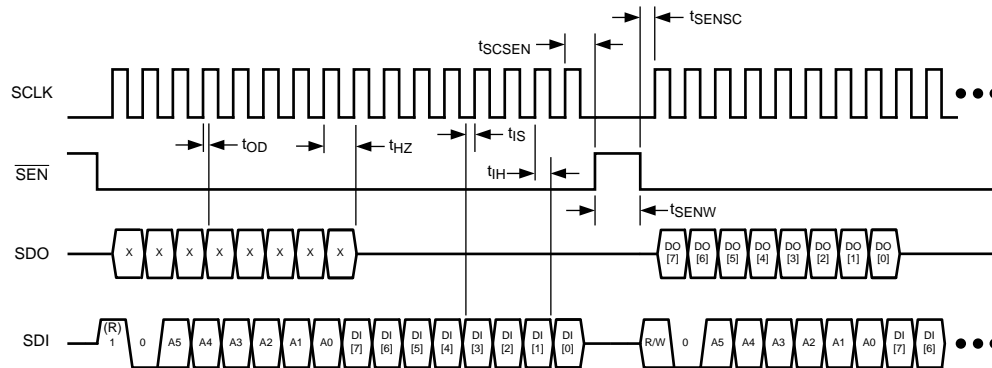


Figure 28. Serial Interface Specification Diagram

7.6 Register Maps

Registers need to be written with baseline values after power-up to place part in a valid state.

Table 5. Configuration Registers

ADDRESS (BINARY)	REGISTER TITLE (MNEMONIC)	BASELINE (BINARY)	REGISTER and BIT DESCRIPTION								
			Bit 7	Bit 6	Bit 5	Bit 4	Bit 3	Bit 2	Bit 1	Bit 0	
ANALOG CONFIGURATION											
00 0000	Main Configuration	0000 0100	Not Used	Coarse DAC Enable	Fine DAC Enable	Reserved	CLPIN Gating Enable	CDS Gain Enable	Reserved	CDS Enable	
00 0001	Powerdown Control	0000 0000	Master Powerdown	VCLP Powerdown	Ch2 Ref Buf Powerdown	Ch1 Ref Buf Powerdown	Ch2 PGA Powerdown	Ch1 PGA Powerdown	Ch2 ADC Powerdown	Ch1 ADC Powerdown	
00 0010	PGA Power Trimming	0010 0100	Reserved		PGA Stage 2 Bias Current Trimming		PGA Stage 1 Bias Current Trimming				
00 0011	ADC Power Trimming	0101 1011	Reserved		ADC Current Trimming 2			ADC Current Trimming 1			
00 0100	VCLP Control	0111 0100	Not Used	Buffer Enable	VCLP Enable	VCLP Voltage Level					
00 0101	LVDS Output Modes	0000 1110	Clear	Reserved	Reserved	Reserved	Quad Lane Enable	LVDS Enable	LVDS Control		
00 0110	Sample & Hold	1000 0001	S/H Enable	Not Used			Ref Buf Power Level		Reserved		
00 0111	Status	0000 0000	Not Used							False Lock	
00 1000	Reserved	0000 0000	Reserved								
00 1001	Clock Monitor	0000 0000	Not Used			Enable/Select		Not Used			
00 1010	Reserved	0000 0000	Not Used								
00 1011	Reserved	0000 0000	Not Used								
00 1100	Reserved	0000 0000	Not Used								
00 1101	Reserved	0000 0000	Not Used								
00 1110	Reserved	0000 0000	Not Used								
00 1111	Reserved	0000 0000	Not Used								
GAIN & OFFSET DAC CONFIGURATION											
01 0000	CDAC1	0000 0000	Not Used							Offset bit 8	
01 0001	CDAC1	1111 1111	Offset Value bits 7:0								
01 0010	FDAC1	0000 0000	Not Used							Offset bit 8	
01 0011	FDAC1	1111 1111	Offset Value bits 7:0								
01 0100	Reserved	0000 0000	Not Used								
01 0101	PGA1	0110 0001	PGA Gain Value								
01 0110	Reserved	0000 0000	Not Used								
01 0111	Reserved	0000 0000	Not Used								
01 1000	CDAC2	0000 0000	Not Used							Offset Bit 8	
01 1001	CDAC2	1111 1111	Offset Value bits 7:0								
01 1010	FDAC2	0000 0000	Not Used							Offset Bit 8	
01 1011	FDAC2	1111 1111	Offset Value bits 7:0								

Register Maps (continued)
Table 5. Configuration Registers (continued)

ADDRESS S (BINARY)	REGISTER TITLE (MNEMONIC)	BASELINE (BINARY)	REGISTER and BIT DESCRIPTION							
			Bit 7	Bit 6	Bit 5	Bit 4	Bit 3	Bit 2	Bit 1	Bit 0
01 1100	PGA2	0110 0001	PGA Gain Value							
01 1101	Reserved	0000 0000	Not Used							
01 1110	Reserved	0000 0000	Not Used							
01 1111	Reserved	0000 0000	Not Used							
TIMING CONFIGURATION										
10 0000	Clamp Start	0000 1000	Not Used		Clamp Start Index					
10 0001	Clamp End	0001 1100	Not Used		Clamp End Index					
10 0010	Sample Start	0010 1000	Not Used		Sample Start Index					
10 0011	Sample End	0011 1100	Not Used		Sample End Index					
10 0100	Reserved	0011 0100	Reserved							
10 0101	INCLK Range	0000 0010	Not Used	INCLK Range			Not Used		Reserved	
10 0110	Reserved	0000 0000	Not Used							
10 0111	Reserved	0000 0000	Not Used							
10 1000	DLL Configuration	0000 1111	Reserved							DLL Reset
10 1001	Reserved	0000 0000	Not Used							
10 1010	Reserved	0000 0000	Not Used							
10 1011	Reserved	0000 0000	Not Used							
10 1100	Reserved	0000 0000	Not Used							
10 1101	Reserved	0000 0000	Not Used							
10 1110	Reserved	0000 0000	Not Used							
10 1111	Reserved	0000 0000	Not Used							
DIGITAL CONFIGURATION REGISTERS										
11 0000	Test Pattern Start	0000 0000	Start Upper Bits							
11 0001	Test Pattern Start	0000 0000	Start Lower Bits							
11 0010	Test Pattern Width	0000 0000	Width Upper Bits							
11 0011	Test Pattern Width	0000 0000	Width Lower Bits							
11 0100	Test Pattern Control	0000 0000	Pattern Enable	Pattern Mode			Pseudo Random Enable	Seed Enable	Pattern Output Channel	
11 0101	Test Pattern Pitch	0000 0000	Test Pattern Pitch							
11 0110	Test Pattern Step	0000 0000	Test Pattern Step Code							
11 0111	Test Pattern Channel Offset	0000 0000	Not Used				Test Pattern Channel Offset			
11 1000	Test Pattern Value	0000 0000	Pattern Upper Bits							
11 1001	Test Pattern Value	0000 0000	Pattern Lower Bits							
11 1010	Reserved	0000 0000	Not Used							
11 1011	Reserved	0000 0000	Not Used							
11 1100	Digital Configuration	0000 0000	Not Used							Auto Read
11 1101	Test & Scan Control	0000 0000	Not Used		Pattern Voting Enable	U-Wire Voting Enable	Not Used	Test Reset	Test Mode	Not Used
11 1110	Device ID	0100 1000	Device Revision ID. Engineering samples might be x01 or x47.							
11 1111	Reserved	0000 0000	Not Used							

7.6.1 Register Definitions

NOTE: Registers need to be written with baseline values after power-up to place part in a valid state.

Table 6. Register Definitions - Analog Configuration

ADDRESS (BINARY)	REGISTER TITLE	BASELINE (BINARY)	BIT(s)	DESCRIPTION
00 0000	Main Configuration	0000 0100	[7:0]	Main Configuration
			[7]	Not Used
			[6]	Coarse DAC Enable 0 Disable 1 Enable
			[5]	Fine DAC Enable 0 Disable 1 Enable
			[4]	Reserved
			[3]	CLPIN Gating Enable 0 CLPIN not gated by CLAMP 1 CLPIN gated by CLAMP (=logical "and" of CLPIN and CLAMP)
			[2]	Gain Mode Select. Selects either a 1x or 2x gain mode in the CDS/Sample/Hold Block 0 1x Gain in the CDS/Sample/Hold Block 1 2x Gain in the CDS/Sample/Hold Block
			[1]	Reserved. Set to 0.
			[0]	CDS / Sample/Hold Mode select. 0 Disabled. Correlated Double Sample Mode disabled. 1 Enabled. Correlated Double Sample Mode enabled.

Table 6. Register Definitions - Analog Configuration (continued)

ADDRESS (BINARY)	REGISTER TITLE	BASELINE (BINARY)	BIT(s)	DESCRIPTION
00 0001	Powerdown Control	0000 0000	[7:0]	Powerdown Control Register
			[7]	Master Powerdown 0 Fully Powered. 1 Powerdown Mode. Over rides bits [6:0].
			[6]	VCLP Powerdown 0 VCLP Fully Powered. 1 VCLP Powerdown Mode.
			[5]	Channel 2 Reference Buffer Powerdown 0 Reference Buffer Fully Powered. 1 Reference Buffer Powerdown Mode.
			[4]	Channel 1 Reference Buffer Powerdown 0 Reference Buffer Fully Powered. 1 Reference Buffer Powerdown Mode.
			[3]	Channel 2 PGA Powerdown 0 OpAmp Fully Powered. 1 OpAmp Powerdown Mode.
			[2]	Channel 1 PGA Powerdown 0 OpAmp Fully Powered. 1 OpAmp Powerdown Mode.
			[1]	Channel 2 ADC Powerdown 0 Amplifier Fully Powered. 1 Amplifier Powerdown Mode.
			[0]	Channel 1 ADC Powerdown 0 ADC Fully Powered. 1 ADC Powerdown Mode.
00 0010	PGA Power Trimming	0010 0100	[7:0]	PGA Power Trimming Register.
			[7:6]	Not Used
			[5:3]	PGA Stage 1 Current Trimming Tunable between 000 -Weak to 111 -Strong (Default 100)
			[2:0]	PGA Stage 2 Current Trimming Tunable between 000 -Weak to 111 -Strong (Default 100)

Table 6. Register Definitions - Analog Configuration (continued)

ADDRESS (BINARY)	REGISTER TITLE	BASELINE (BINARY)	BIT(s)	DESCRIPTION
00 0011	ADC Power Trimming	0101 1011	[7:0] [7:6] [5:3] [2:0]	ADC Power Trimming Register. Reserved. Set to 2'b01. ADC Current Trimming 2(Not Binary Weighted) 000 25% Power 001 50% Power 011 75% Power (Default) 111 100% Power ADC Current Trimming 1 (Not Binary Weighted) 000 25% Power 001 50% Power 011 75% Power (Default) 111 100% Power
00 0100	VCLP Control	0111 0100	[7:0] [7] [6] [5] [4:0]	Voltage Clamp Buffer Control Register. Not Used Buffer Enable 0 Disabled. Resistor Ladder is driving VCLP pin. 1 Enabled. Resistor Ladder is buffered to VCLP pin. VCLP Enable 0 Disabled. VCLP pin can be externally driven. 1 Enabled. VCLP pin is in output mode. Voltage Level of VCLP pin. VCLP range is 200mV to 3.1V in 100mV steps for (binary) settings 00000 to 11101. Settings 11110 and 11111 are not used.
00 0101	LVDS Output Modes	0000 1110	[7:0] [7] [6:4] [3] [2] [1:0]	LVDS Output Configuration Register. Serializer Data Reset. (Not self-clearing) Not Used. LVDS Output Mode 0 Dual Lane Mode (see Output Mode 1 - Dual Lane) 1 Quad Lane Mode (see Output Mode 2 - Quad Lane) LVDS Driver Enable. 0 LVDS Drivers Disabled 1 LVDS Drivers Enabled (Note: In Dual Lane Mode TX0 and TX3 are disabled regardless of driver enable) LVDS Amplitude and Common Mode Voltage. 00 250mV (1.2V DC Offset) 01 300mV (1.2V DC Offset) 10 350mV (1.1V DC Offset) 11 400mV (1.1V DC Offset)

Table 6. Register Definitions - Analog Configuration (continued)

ADDRESS (BINARY)	REGISTER TITLE	BASELINE (BINARY)	BIT(s)	DESCRIPTION
00 0110	Sample & Hold	1000 0001	[7:0] [7] [6:3] [2:1] [0]	Sample & Hold Mode Register Sample & Hold Mode Enable 0 Disabled. 1 Enabled. Not Used. Reference Buffer Power Level 11 100% Power. Used for $F_{INCLK} = 20\text{-}40\text{MHz}$. 10 60% Power. Used for $F_{INCLK} = 10\text{-}20\text{MHz}$. 01 60% Power. Used for $F_{INCLK} = 10\text{-}20\text{MHz}$. 00 30% Power. Used for $F_{INCLK} = 5\text{-}10\text{MHz}$. Reserved.
00 0111	Status	0000 0000	[7:0] [7:1] [0]	Status Register. (Read Only) Not Used. False Lock Detect. Indicates if DLL is locked into a half frequency state.
00 1001	Clock Monitor	0000 0000	[7:0] [7:5] [4:3] [2:0]	Internal Clock Signal Monitor Register Not Used. Enable and select clocks to be monitored on the Digital Timing Monitor. (DTM) 00 Disable Digital Timing Monitor Pins (DTM0, DTM1) 01 Send $CLAMP_{EVEN}$ to DTM0 pin, and $SAMPLE_{EVEN}$ to DTM1 10 Send $CLAMP_{ODD}$ to DTM0 pin, and $SAMPLE_{ODD}$ to DTM1 11 Send ODD tag and ADC Clock to the DTM. Reserved. Set to 000.

Table 7. Register Definitions - GAIN & Offset DAC Configuration

ADDRESS (BINARY)	REGISTER TITLE	BASELINE (BINARY)	BIT(s)	DESCRIPTION
01 0000	CDAC1	0000 0000	[7:0] [7:1] [0]	Channel 1 Coarse DAC Register. Not Used. Bit 8 of Channel 1 Coarse DAC Offset Value.
01 0001	CDAC1	1111 1111	[7:0]	Channel 1 Coarse DAC Offset Value bits 7:0.
01 0010	FDAC1	0000 0000	[7:0] [7:1] [0]	Channel 1 Fine DAC Register. Not Used. Bit 8 of Channel 1 Fine DAC Offset Value.
01 0011	FDAC1	1111 1111	[7:0]	Channel 1 Fine DAC Offset Value bits 7:0.
01 0101	PGA1	0110 0001	[7:0]	Channel 1 Programmable Gain Amplifier Value.
01 1000	CDAC2	0000 0000	[7:0] [7:1] [0]	Channel 2 Coarse DAC Register. Not Used. Bit 8 of Channel 2 Coarse DAC Offset Value.
01 1001	CDAC2	1111 1111	[7:0]	Channel 2 Coarse DAC Offset Value bits 7:0.
01 1010	FDAC2	0000 0000	[7:0] [7:1] [0]	Channel 2 Fine DAC Register. Not Used. Bit 8 of Channel 2 Fine DAC Offset Value.
01 1011	FDAC2	1111 1111	[7:0]	Channel 2 Fine DAC Offset Value bits 7:0.
01 1100	PGA2	0110 0001	[7:0]	Channel 2 Programmable Gain Amplifier Value.

Table 8. Register Definitions - Timing Configuration

ADDRESS (BINARY)	REGISTER TITLE	BASELINE (BINARY)	BIT(s)	DESCRIPTION
10 0000	Clamp Start	0000 1000	[7:0] [7:6] [5:0]	Clamp Start Register. Not Used. CLAMP Starting Index. 0-63d position for rising edge of CLAMP signal. Valid only in CDS Mode.
10 0001	Clamp End	0001 1100	[7:0] [7:6] [5:0]	Clamp End Register. Not Used. CLAMP End Index. 0-63d position for falling edge of CLAMP signal. Valid only in CDS Mode.
10 0010	Sample Start	0010 1000	[7:0] [7:6] [5:0]	Sample Start Register. Not Used. SAMPLE starting Index. 0-63d position for rising edge of SAMPLE signal.
10 0011	Sample End	0011 1100	[7:0] [7:6] [5:0]	Sample End Register. Not Used. SAMPLE End Index. 0-63d position for falling edge of SAMPLE signal.
10 0101	INCLK Range	0000 0010	[7:0] [7] [6:4] [3:2] [1:0]	INCLK Range Register. Not Used. INCLK Range. 000 25 to 40 MHz Operation 001 14 to 25 MHz Operation 010 10 to 14 MHz Operation 011 7.5 to 10 MHz Operation 100 6 to 7.5 MHz Operation 101 5 to 6 MHz Operation 110 Not Used 111 Not Used Not Used. DLL Range 11 Reserved 10 14 to 40 MHz Operation 01 7.5 to 14 MHz Operation 00 5 to 7.5 MHz Operation
10 1000	DLL Configuration	0000 1111	[7:0] [7:1] [0]	DLL Configuration Register Reserved DLL Reset. (Self Clearing)

Table 9. Register Definitions - Digital Configuration

ADDRESS (BINARY)	REGISTER TITLE	BASELINE (BINARY)	BIT(s)	DESCRIPTION
11 0000	Test Pattern Start	0000 0000	[15:8]	Upper 8 bits of the Test Pattern start value. Specifies the number of pixels after the leading edge of CLPIN to the Valid Pixel region.
11 0001	Test Pattern Start	0000 0000	[7:0]	Lower 8 bits of the Test Pattern start value. Specifies the number of pixels after the leading edge of CLPIN to the Valid Pixel region.
11 0010	Test Pattern Width	0000 0000	[15:8]	Upper 8 bits of the Test Pattern Width value. Specifies, in number of pixels, the width of the Valid Pixel region.
11 0011	Test Pattern Width	0000 0000	[7:0]	Lower 8 bits of the Test Pattern Width value. Specifies, in number of pixels, the width of the Valid Pixel region.
11 0100	Test Pattern Control	0000 0000	[7:0]	Test Pattern Control Register.
			[7]	Programmable Pattern Switch 0 Disabled. Normal LVDS output operation. 1 Enabled. AFE outputs LVDS test patterns.
			[6:4]	Test Pattern Mode 000 Fixed Code 001 Horizontal Gradient Scan (Main Scan) 010 Vertical Gradient Scan (Sub Scan) 011 Grid Scan (Lattice Pattern) 100 Strip Pattern 101 LVDS Test Pattern. (Synchronous to CLPIN) 110 LVDS Test Pattern. (Asynchronous) 111 Not Used.
			[3]	Pseudo Random Pattern Enable. Overrides Programmable Patter Switch setting (bit 7). Normally only one should be on.
			[2]	Load Seed Enable. When set, the seed value in the Test Pattern Value Register is loaded in the LFSR at the leading edge of CLPIN.
			[1:0]	Test Pattern Output Channel Select. 00 Both Channels 01 Channel 1 10 Channel 2 11 Not Used
11 0101	Test Pattern Pitch	0000 0000	[7:0]	Test Pattern pitch, specifies number of pixels for H Gradient pattern and Stripe pattern, or number of lines in the V Gradient pattern, or specifies pixels & lines in the Lattice pattern.
11 0110	Test Pattern Step	0000 0000	[7:0]	Test Pattern Step Code. Specifies step size in LSB codes the pattern is incremented in H Gradient and V Gradient pattern. In Lattice and Stripe pattern it specifies the code during the lower step.
11 0111	Test Pattern Channel Offset	0000 0000	[7:0]	Test Pattern Channel Offset Register.
			[7:4]	Not Used.
			[3:0]	Test Pattern Channel Offset. This specifies the number of lines the pattern on Channel 2 is delayed from Channel 1. This offset is maintained throughout the pattern.
11 1000	Test Pattern Value	0000 0000	[15:8]	Upper 8 bits of Test Pattern Value Register. Specifies the upper 8 bits of the test value code during Fixed Pattern and LVDS test, initial value during H Gradient & V Gradient pattern, and higher value in the Lattice and Stripe Pattern.

Table 9. Register Definitions - Digital Configuration (continued)

ADDRESS (BINARY)	REGISTER TITLE	BASELINE (BINARY)	BIT(s)	DESCRIPTION
11 1001	Test Pattern Value	0000 0000	[7:0]	Lower 6 bits of Test Pattern Value Register. Specifies the lower 6 bits of the test code value during Fixed Pattern and LVDS test, initial value during H Gradient & V Gradient pattern, and higher value in the Lattice and Stripe Pattern.
11 1100	Digital Configuration	0000 0000	[7:0] [7:1] [0]	Serial Communication Configuration Register. Not Used. Micro-Wire Automatic Read Disable. 0 Read data is always sent out on SDO during the first 8 SCLK cycles. The register is selected by the register address in the previous cycle. (read or write) 1 Automatic read is disabled. To read from a register two cycles need to be initiated by the master, first cycle should be a read with the correct register address and second can be a dummy read or read from another address or a write cycle, and the data is sent first 8 SCLK of the second cycle. After a write command SDO remains in Tri-State during first 8 SCLK.
11 1101	Test & Scan Control	0000 0000	[7:0] [7:6] [5] [4] [3] [2] [1] [0]	Test & Scan Control Register Not Used. Test Pattern Voting Switch. 0 Enable. Circuit Redundancy Voting is active. 1 Disable. First redundancy block output is used. Micro-wire Voting Switch. 0 Enable. Circuit Redundancy Voting is active. 1 Disable. First Micro-wire block output is used. Not Used. Test Reset. Resets the test block when High, normal test block function when Low. This bit is not self-clearing. Test Mode Enable. 0 Disable. 1 Enable. Needed to run Test Pattern functions. Not Used.
11 1110	Device ID	0100 1000	[7:0]	Device Revision ID. Engineering samples might be x01 or x47.

8 Application and Implementation

NOTE

Information in the following applications sections is not part of the TI component specification, and TI does not warrant its accuracy or completeness. TI's customers are responsible for determining suitability of components for their purposes. Customers should validate and test their design implementation to confirm system functionality.

8.1 Application Information

Careful consideration should be given to environmental conditions when using a product in a radiation environment.

8.1.1 Total Ionizing Dose

Testing and qualification of this product is done according to MIL-STD-883, Test Method 1019.

This product is on Texas Instruments' CMOS9X process, a CMOS process shown to be ELDRS-Free. ELDRS report for the process is available upon request.

Radiation lot acceptance testing (RLAT) is performed at high dose rate. On some lots the room temperature anneal test is used, with anneal times up to 6 weeks. An RLAT report to the wafer level is available for each lot.

8.1.2 Single Event Latch-Up and Functional Interrupt

One time single event latch-up (SEL) and single event functional interrupt (SEFI) testing was performed according to EIA/JEDEC Standard, EIA/JEDEC57. SEL testing was conducted with the junction temperature at 125°C. The linear energy transfer threshold (LET_{th}) shown in the features list on the front page is the maximum LET tested. A test report is available upon request.

8.1.3 Single Event Effects

A report on single event upset (SEU) is available upon request.

8.2 Typical Application

8.2.1 Sample/Hold Mode

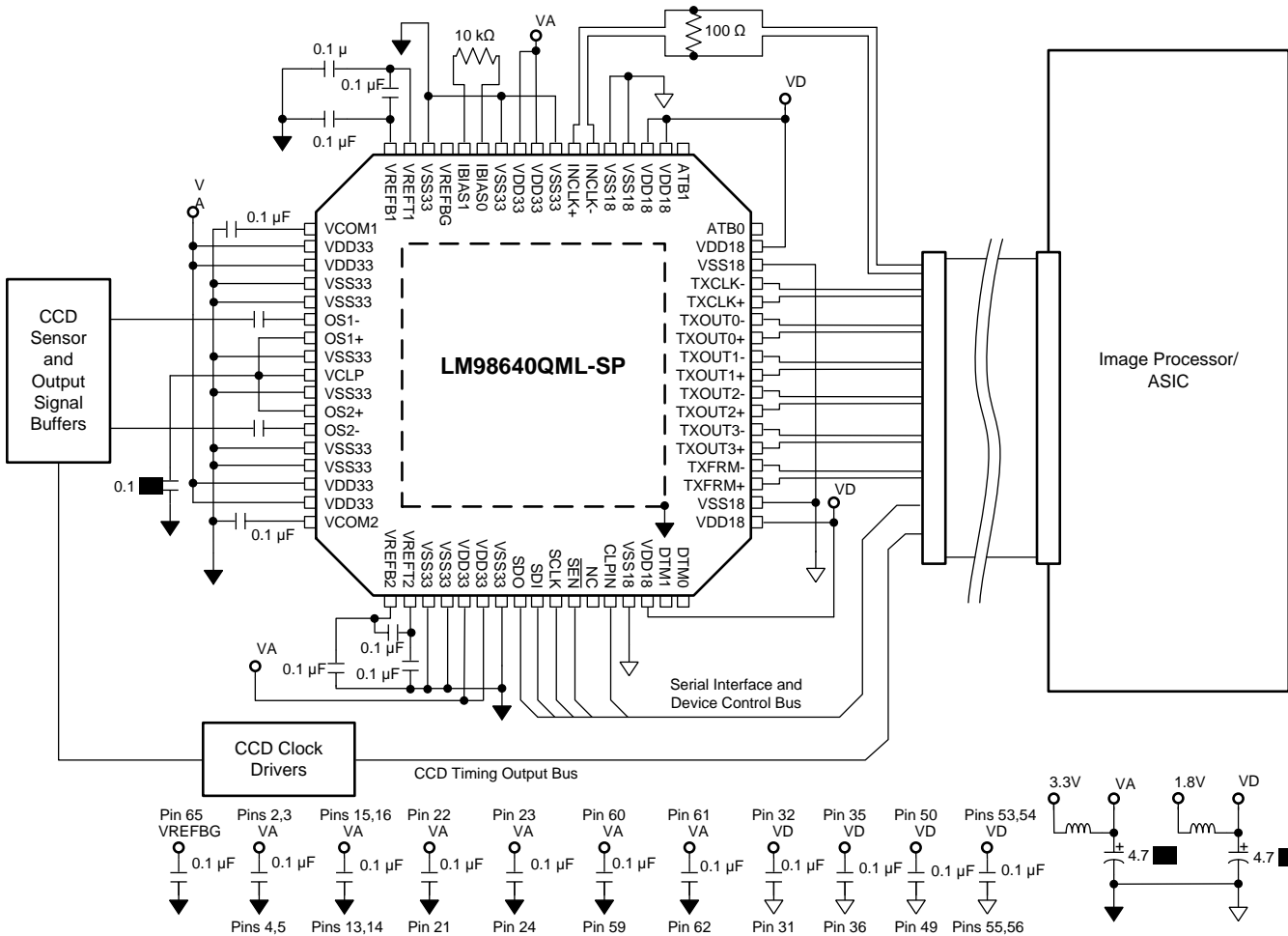


Figure 29. Typical CDS Mode Application Diagram

8.3 Initialization Set Up

1. Power up supply voltages VDD33 and VDD18.
2. Apply signal to INCLK.
3. Write all configuration registers. Be sure to set the INCLK Range (2x05) and Sample & Hold (0x06) for the INCLK frequency used.
4. Write the Test & Scan register (3x0D) before the Clock Monitor register (0x09).

9 Layout

9.1 Layout Guidelines

9.1.1 Power Planes

Power for the LM98640QML-SP should be provided through a broad plane which is located on one layer adjacent to the ground plane(s). Placing the power and ground planes on adjacent layers will provide low impedance decoupling of the AFE supplies, especially at higher frequencies. The output of a linear regulator should feed into the power plane through a low impedance multi-via connection. The power plane should be split into individual power peninsulas near the AFE. Each peninsula should feed a particular power bus on the AFE, with decoupling for that power bus connecting the peninsula to the ground plane near each power/ground pin pair. Using this technique can be difficult on many printed circuit CAD tools. To work around this, 0- Ω resistors can be used to connect the power source net to the individual nets for the different AFE power buses. As a final step, the 0- Ω resistors can be removed and the plane and peninsulas can be connected manually after all other error checking is completed.

9.1.2 Bypass Capacitors

The general recommendation is to have one 100-nF capacitor for each power/ground pin pair. The capacitors should be surface mount multi-layer ceramic chip capacitors.

9.1.3 Ground Plane

Grounding should be done using continuous full ground planes to minimize the impedance for all ground return paths, and provide the shortest possible image/return path for all signal traces.

9.1.4 Thermal Management

The exposed pad on bottom of the package is attached to the back of the die to act as a heat sink. Connecting this pad to the PCB ground planes with a low thermal resistance path is the best way to remove heat from the AFE. This pad should also be connected to the ground planes through low impedance path for electrical purposes.

10 Device and Documentation Support

10.1 Device Support

10.1.1 Development Support

10.1.1.1 Evaluation Board

The [LM98640CVAL](#) is a flexible evaluation board that can be configured for the many different operational options of the LM98640. The LM98640CVAL can be driven with a [WaveVison 5 Data Capture](#) board. The software to drive the board only works with Windows XP.

10.1.1.2 Register Programming Software

A Graphical User Interface (GUI) is available for download at the [LM98640CVAL tool folder](#). It can be used to verify the register settings for the different configuration modes. The software only works with Windows XP.

10.2 Receiving Notification of Documentation Updates

To receive notification of documentation updates, navigate to the device product folder on ti.com. In the upper right corner, click on *Alert me* to register and receive a weekly digest of any product information that has changed. For change details, review the revision history included in any revised document.

10.3 Community Resources

The following link connects to a TI community resource. Linked contents are provided "AS IS" by the respective contributors. They do not constitute TI specifications and do not necessarily reflect TI's views; see [TI's Terms of Use](#).

[TI E2E™ Online Community](#) TI's Engineer-to-Engineer (E2E) Community for High Reliability products. Created to foster collaboration among engineers. At [e2e.ti.com](#), you can ask questions, share knowledge, explore ideas and help solve problems with fellow engineers.

10.4 Export Control Notice

Recipient agrees to not knowingly export or re-export, directly or indirectly, any product or technical data (as defined by the U.S., EU, and other Export Administration Regulations) including software, or any controlled product restricted by other applicable national regulations, received from disclosing party under nondisclosure obligations (if any), or any direct product of such technology, to any destination to which such export or re-export is restricted or prohibited by U.S. or other applicable laws, without obtaining prior authorization from U.S. Department of Commerce and other competent Government authorities to the extent required by those laws.

10.5 Trademarks

All trademarks are the property of their respective owners.

10.6 Electrostatic Discharge Caution



These devices have limited built-in ESD protection. The leads should be shorted together or the device placed in conductive foam during storage or handling to prevent electrostatic damage to the MOS gates.

10.7 Glossary

[SLYZ022](#) — *TI Glossary*.

This glossary lists and explains terms, acronyms, and definitions.

11 Mechanical, Packaging, and Orderable Information

The following pages include mechanical, packaging, and orderable information. This information is the most current data available for the designated devices. This data is subject to change without notice and revision of this document. For browser-based versions of this data sheet, refer to the left-hand navigation.

11.1 Engineering Samples

Engineering samples are available for order and are identified by the "MPR" in the orderable device name (see Packaging Information in the Addendum). Engineering (MPR) samples meet the performance specifications of the datasheet at room temperature only and have not received the full space production flow or testing. Engineering samples may be QCI rejects that failed tests that would not impact the performance at room temperature, such as radiation or reliability testing.

PACKAGING INFORMATION

Orderable Device	Status (1)	Package Type	Package Drawing	Pins	Package Qty	Eco Plan (2)	Lead finish/ Ball material (6)	MSL Peak Temp (3)	Op Temp (°C)	Device Marking (4/5)	Samples
5962R1820301VXC	ACTIVE	CFP	NBB	68	12	RoHS & Green	Call TI	Level-1-NA-UNLIM	-55 to 125	5962 R1820301VXC LM98640-RHA	Samples
LM98640W-MLS	ACTIVE	CFP	NBB	68	12	RoHS & Green	Call TI	Level-1-NA-UNLIM	-55 to 125	(LM98640W, LM98640 W-MLS) -MLS	Samples
LM98640W-MPR	ACTIVE	CFP	NBB	68	12	RoHS & Green	Call TI	Level-1-NA-UNLIM	25 to 25	LM98640W-MPR ES	Samples

(1) The marketing status values are defined as follows:

ACTIVE: Product device recommended for new designs.

LIFEBUY: TI has announced that the device will be discontinued, and a lifetime-buy period is in effect.

NRND: Not recommended for new designs. Device is in production to support existing customers, but TI does not recommend using this part in a new design.

PREVIEW: Device has been announced but is not in production. Samples may or may not be available.

OBSOLETE: TI has discontinued the production of the device.

(2) **RoHS:** TI defines "RoHS" to mean semiconductor products that are compliant with the current EU RoHS requirements for all 10 RoHS substances, including the requirement that RoHS substance do not exceed 0.1% by weight in homogeneous materials. Where designed to be soldered at high temperatures, "RoHS" products are suitable for use in specified lead-free processes. TI may reference these types of products as "Pb-Free".

RoHS Exempt: TI defines "RoHS Exempt" to mean products that contain lead but are compliant with EU RoHS pursuant to a specific EU RoHS exemption.

Green: TI defines "Green" to mean the content of Chlorine (Cl) and Bromine (Br) based flame retardants meet JS709B low halogen requirements of <=1000ppm threshold. Antimony trioxide based flame retardants must also meet the <=1000ppm threshold requirement.

(3) MSL, Peak Temp. - The Moisture Sensitivity Level rating according to the JEDEC industry standard classifications, and peak solder temperature.

(4) There may be additional marking, which relates to the logo, the lot trace code information, or the environmental category on the device.

(5) Multiple Device Markings will be inside parentheses. Only one Device Marking contained in parentheses and separated by a "-" will appear on a device. If a line is indented then it is a continuation of the previous line and the two combined represent the entire Device Marking for that device.

(6) Lead finish/Ball material - Orderable Devices may have multiple material finish options. Finish options are separated by a vertical ruled line. Lead finish/Ball material values may wrap to two lines if the finish value exceeds the maximum column width.

Important Information and Disclaimer:The information provided on this page represents TI's knowledge and belief as of the date that it is provided. TI bases its knowledge and belief on information provided by third parties, and makes no representation or warranty as to the accuracy of such information. Efforts are underway to better integrate information from third parties. TI has taken and

continues to take reasonable steps to provide representative and accurate information but may not have conducted destructive testing or chemical analysis on incoming materials and chemicals. TI and TI suppliers consider certain information to be proprietary, and thus CAS numbers and other limited information may not be available for release.

In no event shall TI's liability arising out of such information exceed the total purchase price of the TI part(s) at issue in this document sold by TI to Customer on an annual basis.

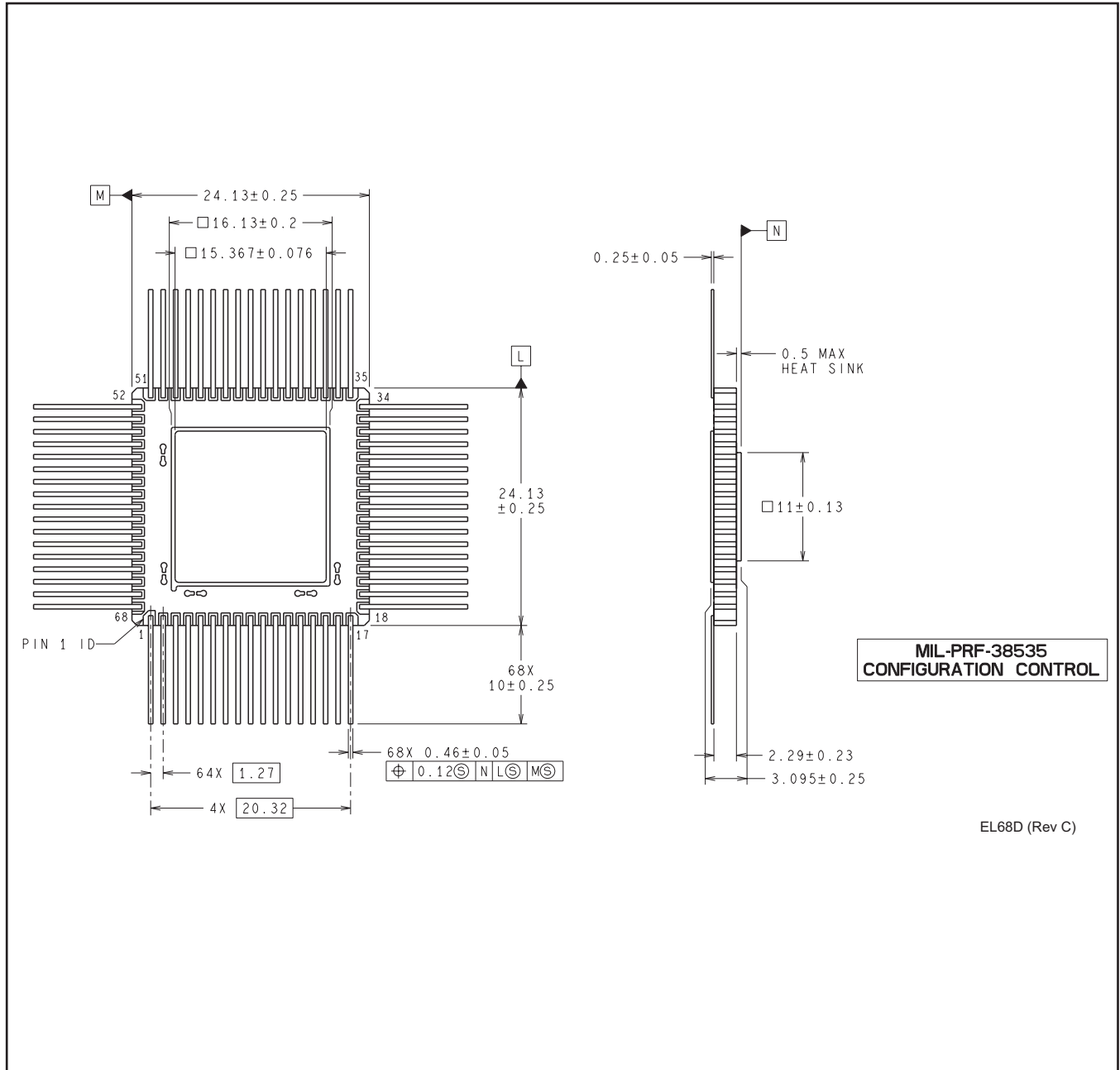
TRAY


Chamfer on Tray corner indicates Pin 1 orientation of packed units.

*All dimensions are nominal

Device	Package Name	Package Type	Pins	SPQ	Unit array matrix	Max temperature (°C)	L (mm)	W (mm)	K0 (µm)	P1 (mm)	CL (mm)	CW (mm)
5962R1820301VXC	NBB	CFP	68	12	3 X 4	NA	280	230	19000	60.6	79.4	54.5
LM98640W-MLS	NBB	CFP	68	12	3 X 4	NA	280	230	19000	60.6	79.4	54.5
LM98640W-MPR	NBB	CFP	68	12	3 X 4	NA	280	230	19000	60.6	79.4	54.5

NBB0068D



EL68D (Rev C)

IMPORTANT NOTICE AND DISCLAIMER

TI PROVIDES TECHNICAL AND RELIABILITY DATA (INCLUDING DATA SHEETS), DESIGN RESOURCES (INCLUDING REFERENCE DESIGNS), APPLICATION OR OTHER DESIGN ADVICE, WEB TOOLS, SAFETY INFORMATION, AND OTHER RESOURCES "AS IS" AND WITH ALL FAULTS, AND DISCLAIMS ALL WARRANTIES, EXPRESS AND IMPLIED, INCLUDING WITHOUT LIMITATION ANY IMPLIED WARRANTIES OF MERCHANTABILITY, FITNESS FOR A PARTICULAR PURPOSE OR NON-INFRINGEMENT OF THIRD PARTY INTELLECTUAL PROPERTY RIGHTS.

These resources are intended for skilled developers designing with TI products. You are solely responsible for (1) selecting the appropriate TI products for your application, (2) designing, validating and testing your application, and (3) ensuring your application meets applicable standards, and any other safety, security, regulatory or other requirements.

These resources are subject to change without notice. TI grants you permission to use these resources only for development of an application that uses the TI products described in the resource. Other reproduction and display of these resources is prohibited. No license is granted to any other TI intellectual property right or to any third party intellectual property right. TI disclaims responsibility for, and you will fully indemnify TI and its representatives against, any claims, damages, costs, losses, and liabilities arising out of your use of these resources.

TI's products are provided subject to [TI's Terms of Sale](#) or other applicable terms available either on ti.com or provided in conjunction with such TI products. TI's provision of these resources does not expand or otherwise alter TI's applicable warranties or warranty disclaimers for TI products.

TI objects to and rejects any additional or different terms you may have proposed.

Mailing Address: Texas Instruments, Post Office Box 655303, Dallas, Texas 75265
Copyright © 2022, Texas Instruments Incorporated