

## LMK60XX High Performance Low Jitter Oscillator

### 1 Features

- Low Noise, High Performance
  - Jitter: 150 fs RMS Typical Fout > 100 MHz
  - PSRR: –60 dBc, Robust Supply Noise Immunity
- Supported Output Format
  - LVPECL, LVDS and HCSL up to 400 MHz
- Total Frequency Tolerance of  $\pm 50$  ppm (LMK60X2) and  $\pm 25$  ppm (LMK60X0)
- 3.3-V Operating Voltage
- Industrial Temperature Range ( $-40^{\circ}\text{C}$  to  $+85^{\circ}\text{C}$ )
- 7-mm  $\times$  5-mm 6-pin Package That is Pin-Compatible With Industry Standard 7050 XO Package

### 2 Applications

- High-Performance Replacement for Crystal-, SAW-, or Silicon-Based Oscillators
- Switches, Routers, Network Line Cards, Base Band Units (BBU), Servers, Storage/SAN
- Test and Measurement
- Medical Imaging
- FPGA, Processor Attach

### 3 Description

The LMK60EX is a family of low jitter oscillators that generate a commonly used reference clock. The device is pre-programmed in factory to support any reference clock frequency; supported output formats are LVPECL, LVDS, and HCSL up to 400 MHz. Internal power conditioning provide excellent power supply ripple rejection (PSRR), reducing the cost and complexity of the power delivery network. The device operates from a single 3.3-V  $\pm 5\%$  supply.

#### Device Information<sup>(1)</sup>

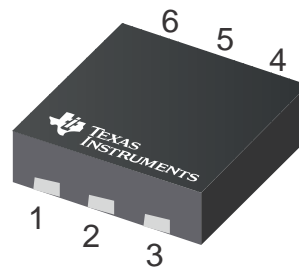
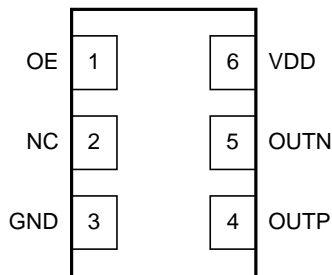
PART NUMBER	PACKAGE	SIZE
LMK60E2-100M	QFM (6)	7.00 mm $\times$ 5.00 mm
LMK60E2-125M	QFM (6)	7.00 mm $\times$ 5.00 mm
LMK60E2-156M	QFM (6)	7.00 mm $\times$ 5.00 mm
LMK60E0-156M	QFM (6)	7.00 mm $\times$ 5.00 mm
LMK60E0-212M	QFM (6)	7.00 mm $\times$ 5.00 mm
LMK60I2-100M	QFM (6)	7.00 mm $\times$ 5.00 mm
LMK60I2-322M	QFM (6)	7.00 mm $\times$ 5.00 mm

(1) For all available packages, see the orderable addendum at the end of the data sheet.

#### Output Frequency Options

PART NUMBER	OUTPUT FREQ (MHz) AND FORMAT	TOTAL FREQ STABILITY (ppm)
LMK60E2-100M	100 LVPECL	$\pm 50$
LMK60E2-125M	125 LVPECL	$\pm 50$
LMK60E2-156M	156.25 LVPECL	$\pm 50$
LMK60E0-156M	156.25 LVPECL	$\pm 25$
LMK60E0-212M	212.5 LVPECL	$\pm 25$
LMK60I2-100M	100 HCSL	$\pm 50$
LMK60I2-322M	322.265625 HCSL	$\pm 50$

#### Pinout



## Table of Contents

<b>1 Features</b> .....	<b>1</b>	6.11 Power-On/Reset Characteristics (VDD).....	<b>6</b>
<b>2 Applications</b> .....	<b>1</b>	6.12 PSRR Characteristics .....	<b>6</b>
<b>3 Description</b> .....	<b>1</b>	6.13 PLL Clock Output Jitter Characteristics .....	<b>6</b>
<b>4 Revision History</b> .....	<b>2</b>	6.14 Additional Reliability and Qualification .....	<b>6</b>
<b>5 Pin Configuration and Functions</b> .....	<b>3</b>	<b>7 Parameter Measurement Information</b> .....	<b>7</b>
<b>6 Specifications</b> .....	<b>3</b>	7.1 Device Output Configurations .....	<b>7</b>
6.1 Absolute Maximum Ratings .....	<b>3</b>	<b>8 Power Supply Recommendations</b> .....	<b>9</b>
6.2 ESD Ratings .....	<b>3</b>	<b>9 Layout</b> .....	<b>9</b>
6.3 Recommended Operating Conditions.....	<b>4</b>	9.1 Layout Guidelines .....	<b>9</b>
6.4 Thermal Information .....	<b>4</b>	<b>10 Device and Documentation Support</b> .....	<b>11</b>
6.5 Electrical Characteristics - Power Supply .....	<b>4</b>	10.1 Receiving Notification of Documentation Updates	<b>11</b>
6.6 LVPECL Output Characteristics.....	<b>4</b>	10.2 Community Resources.....	<b>11</b>
6.7 LVDS Output Characteristics .....	<b>5</b>	10.3 Trademarks .....	<b>11</b>
6.8 HCSL Output Characteristics.....	<b>5</b>	10.4 Electrostatic Discharge Caution.....	<b>11</b>
6.9 OE Input Characteristics .....	<b>5</b>	10.5 Glossary .....	<b>11</b>
6.10 Frequency Tolerance Characteristics .....	<b>5</b>	<b>11 Mechanical, Packaging, and Orderable Information</b> .....	<b>11</b>

## 4 Revision History

### Changes from Revision B (November 2017) to Revision C Page

- New release of LMK60E2-100M..... **1**

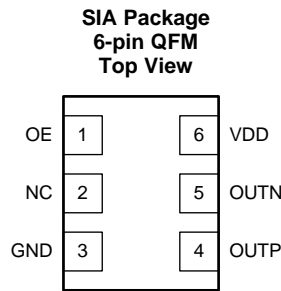
### Changes from Revision A (June 2017) to Revision B Page

- New release of LMK60E2-125M..... **1**
- New release of LMK60I2-100M..... **1**
- New release of LMK60I2-322M .....

### Changes from Original (December 2016) to Revision A Page

- Added LMK60E0-156M and LMK60E0-212M .....

## 5 Pin Configuration and Functions



### Pin Functions

PIN		I/O	DESCRIPTION
NAME	NO.		
<b>POWER</b>			
GND	3	Ground	Device ground
VDD	6	Analog	3.3-V power supply
<b>OUTPUT BLOCK</b>			
OUTP, OUTN	4, 5	Universal	Differential output pair (LVPECL, LVDS or HCSSL).
<b>DIGITAL CONTROL / INTERFACES</b>			
NC	2	N/A	No connect
OE	1	LVC MOS	Output enable (internal pullup). When set to low, output pair is disabled and set at high impedance.

## 6 Specifications

### 6.1 Absolute Maximum Ratings

over operating free-air temperature range (unless otherwise noted)<sup>(1)</sup>

		MIN	MAX	UNIT
VDD	Device supply voltage	-0.3	3.6	V
V <sub>IN</sub>	Output voltage for logic inputs	-0.3	VDD + 0.3	V
V <sub>OUT</sub>	Output voltage for clock outputs	-0.3	VDD + 0.3	V
T <sub>J</sub>	Junction temperature		150	°C
T <sub>STG</sub>	Storage temperature	-40	125	°C

- (1) Stresses beyond those listed under *Absolute Maximum Ratings* may cause permanent damage to the device. These are stress ratings only, which do not imply functional operation of the device at these or any other conditions beyond those indicated under *Recommended Operating Conditions*. Exposure to absolute maximum-rated conditions for extended periods may affect device reliability.

### 6.2 ESD Ratings

		VALUE	UNIT
V <sub>(ESD)</sub>	Electrostatic discharge	Human-body model (HBM), per ANSI/ESDA/JEDEC JS-001 <sup>(1)</sup>	±2000
		Charged-device model (CDM), per JEDEC specification JESD22-C101 <sup>(2)</sup>	±500

- (1) JEDEC document JEP155 states that 500 V HBM allows safe manufacturing with a standard ESD control process.  
 (2) JEDEC document JEP157 states that 250 V CDM allows safe manufacturing with a standard ESD control process.

### 6.3 Recommended Operating Conditions

over operating free-air temperature range (unless otherwise noted)

		MIN	NOM	MAX	UNIT
VDD	Device supply voltage	3.135	3.3	3.465	V
T <sub>A</sub>	Ambient temperature	-40	25	85	°C
T <sub>J</sub>	Junction temperature			105	°C
t <sub>RAMP</sub>	VDD power-up ramp time	0.1		100	ms

### 6.4 Thermal Information

THERMAL METRIC <sup>(1)</sup>		LMK60EX <sup>(2) (3) (4)</sup>		UNIT
		SIA (QFM)		
		6 PINS		
		Airflow (LFM) 0		
R <sub>θJA</sub>	Junction-to-ambient thermal resistance	74.8		°C/W
R <sub>θJC(top)</sub>	Junction-to-case (top) thermal resistance	46.7		°C/W
R <sub>θJB</sub>	Junction-to-board thermal resistance	49.0		°C/W
ψ <sub>JT</sub>	Junction-to-top characterization parameter	14.8		°C/W
ψ <sub>JB</sub>	Junction-to-board characterization parameter	48.7		°C/W
R <sub>θJC(bot)</sub>	Junction-to-case (bottom) thermal resistance	n/a		°C/W

- (1) For more information about traditional and new thermal metrics, see the [Semiconductor and IC Package Thermal Metrics](#) application report.
- (2) The package thermal resistance is calculated on a 4 layer JEDEC board.
- (3) Connected to GND with 2 thermal vias (0.3-mm diameter).
- (4) ψ<sub>JB</sub> (junction to board) is used when the main heat flow is from the junction to the GND pad. Please refer to Thermal Considerations section for more information on ensuring good system reliability and quality.

### 6.5 Electrical Characteristics - Power Supply<sup>(1)</sup>

VDD = 3.3 V ± 5%, T<sub>A</sub> = -40C to 85°C

PARAMETER	TEST CONDITIONS	MIN	TYP	MAX	UNIT	
IDD	Device current consumption	LVPECL <sup>(2)</sup>		95	110	mA
		LVDS		85	100	
		HCSL <sup>(3)</sup>		90	105	
IDD-PD	Device current consumption when output is disabled	OE = GND		70	mA	

- (1) Refer to [Parameter Measurement Information](#) for relevant test conditions.
- (2) On-chip power dissipation should exclude 40 mW, dissipated in the 150 Ω termination resistors, from total power dissipation.
- (3) Excludes load current.

### 6.6 LVPECL Output Characteristics<sup>(1)</sup>

VDD = 3.3 V ± 5%, T<sub>A</sub> = -40C to 85°C

PARAMETER	TEST CONDITIONS	MIN	TYP	MAX	UNIT
f <sub>OUT</sub>	Output frequency <sup>(2)</sup>			400	MHz
V <sub>OD</sub>	Output voltage swing (V <sub>OH</sub> – V <sub>OL</sub> ) <sup>(2)</sup>	700	950	1200	mV
V <sub>OUT, DIFF, PP</sub>	Differential output peak-to-peak swing	2 ×  V <sub>OD</sub>			V
V <sub>OS</sub>	Output common-mode voltage	VDD – 1.45			V
t <sub>R</sub> / t <sub>F</sub>	Output rise/fall time (20% to 80%) <sup>(3)</sup>		260	350	ps
ODC	Output duty cycle <sup>(3)</sup>	45%		55%	

- (1) Refer to [Parameter Measurement Information](#) for relevant test conditions.
- (2) An output frequency over f<sub>OUT</sub> max spec is possible, but output swing may be less than V<sub>OD</sub> min spec.
- (3) Ensured by characterization.

## 6.7 LVDS Output Characteristics<sup>(1)</sup>

VDD = 3.3 V ± 5%, T<sub>A</sub> = -40°C to 85°C

PARAMETER		TEST CONDITIONS	MIN	TYP	MAX	UNIT
f <sub>OUT</sub>	Output frequency <sup>(1)</sup>				400	MHz
V <sub>OD</sub>	Output voltage swing (V <sub>OH</sub> – V <sub>OL</sub> ) <sup>(1)</sup>		300	390	480	mV
V <sub>OUT, DIFF, PP</sub>	Differential output peak-to-peak swing		2 x  V <sub>OD</sub>			V
V <sub>OS</sub>	Output common-mode voltage			1.2		V
t <sub>R</sub> / t <sub>F</sub>	Output rise/fall time (20% to 80%) <sup>(2)</sup>			260	350	ps
ODC	Output duty cycle <sup>(2)</sup>		45%		55%	
R <sub>OUT</sub>	Differential output impedance			107		Ω

(1) An output frequency over f<sub>OUT</sub> max spec is possible, but output swing may be less than V<sub>OD</sub> min spec.

(2) Ensured by characterization.

## 6.8 HCSL Output Characteristics<sup>(1)</sup>

VDD = 3.3 V ± 5%, T<sub>A</sub> = -40°C to 85°C

PARAMETER		TEST CONDITIONS	MIN	TYP	MAX	UNIT
f <sub>OUT</sub>	Output frequency				400	MHz
V <sub>OH</sub>	Output high voltage		660		900	mV
V <sub>OL</sub>	Output low voltage		-100		100	mV
V <sub>CROSS</sub>	Absolute crossing voltage <sup>(2)(3)</sup>		250		475	mV
V <sub>CROSS-DELTA</sub>	Variation of V <sub>CROSS</sub> <sup>(2)(3)</sup>		0		140	mV
dV/dt	Slew rate <sup>(4)</sup>		1		3	V/ns
ODC	Output duty cycle <sup>(4)</sup>		45%		55%	

(1) Refer to [Parameter Measurement Information](#) for relevant test conditions.

(2) Measured from -150 mV to +150 mV on the differential waveform with the 300 mVpp measurement window centered on the differential zero crossing.

(3) Ensured by design.

(4) Ensured by characterization.

## 6.9 OE Input Characteristics

VDD = 3.3 V ± 5%, T<sub>A</sub> = -40°C to 85°C

PARAMETER		TEST CONDITIONS	MIN	TYP	MAX	UNIT
V <sub>IH</sub>	Input high voltage		1.4			V
V <sub>IL</sub>	Input low voltage				0.6	V
I <sub>IH</sub>	Input high current	V <sub>IH</sub> = VDD	-40		40	μA
I <sub>IL</sub>	Input low current	V <sub>IL</sub> = GND	-40		40	μA
C <sub>IN</sub>	Input capacitance			2		pF

## 6.10 Frequency Tolerance Characteristics<sup>(1)</sup>

VDD = 3.3 V ± 5%, T<sub>A</sub> = -40°C to 85°C

PARAMETER		TEST CONDITIONS	MIN	TYP	MAX	UNIT
f <sub>T</sub>	Total frequency tolerance	LMK60X2: All output formats, frequency bands and device junction temperature up to 105°C; includes initial freq tolerance, temperature & supply voltage variation, solder reflow and 5-year aging at 40°C	-50		50	ppm
		LMK60X0: All output formats, frequency bands and device junction temperature up to 105°C; includes initial freq tolerance, temperature & supply voltage variation, solder reflow and 5-year aging at 40°C	-25		25	ppm

(1) Ensured by characterization.

## 6.11 Power-On/Reset Characteristics (VDD)

VDD = 3.3 V ± 5%, T<sub>A</sub> = -40°C to 85°C

PARAMETER	TEST CONDITIONS	MIN	TYP	MAX	UNIT	
V <sub>THRESH</sub>	Threshold voltage <sup>(1)</sup>	2.85		3	V	
V <sub>DROOP</sub>	Allowable voltage droop <sup>(2)</sup>			0.1	V	
t <sub>STARTUP</sub>	Start-up time <sup>(1)</sup>	Time elapsed from VDD at 3.135 V to output enabled			10	ms
t <sub>OE-EN</sub>	Output enable time <sup>(2)</sup>	Time elapsed from OE at V <sub>IH</sub> to output enabled			50	µs
t <sub>OE-DIS</sub>	Output disable time <sup>(2)</sup>	Time elapsed from OE at V <sub>IL</sub> to output disabled			50	µs

(1) Ensured by characterization.

(2) Ensured by design.

## 6.12 PSRR Characteristics<sup>(1)</sup>

VDD = 3.3 V, T<sub>A</sub> = 25°C

PARAMETER	TEST CONDITIONS	MIN	TYP	MAX	UNIT
PSRR	Sine wave at 50 kHz		-60		dBc
	Sine wave at 100 kHz		-60		
	Sine wave at 500 kHz		-60		
	Sine wave at 1 MHz		-60		

(1) Refer to [Parameter Measurement Information](#) for relevant test conditions.

(2) Measured max spur level with 50 mVpp sinusoidal signal between 50 kHz and 1 MHz applied on VDD pin

(3)  $DJ_{SPUR} (ps, pk-pk) = [2 \cdot 10 \cdot (SPUR/20) / (\pi \cdot f_{OUT})] \cdot 1e6$ , where PSRR or SPUR in dBc and f<sub>OUT</sub> in MHz.

## 6.13 PLL Clock Output Jitter Characteristics<sup>(1)(2)</sup>

VDD = 3.3 V ± 5%, T<sub>A</sub> = -40°C to 85°C

PARAMETER	TEST CONDITIONS	MIN	TYP	MAX	UNIT	
RJ	RMS phase jitter <sup>(3)</sup> (12 kHz – 20 MHz)	f <sub>OUT</sub> ≥ 100 MHz, all output types			150 250	fs RMS

(1) Refer to [Parameter Measurement Information](#) for relevant test conditions.

(2) Phase jitter measured with Agilent E5052 signal source analyzer using a differential-to-single ended converter (balun or buffer).

(3) Ensured by characterization.

## 6.14 Additional Reliability and Qualification

PARAMETER	CONDITION / TEST METHOD
Mechanical Shock	MIL-STD-202, Method 213
Mechanical Vibration	MIL-STD-202, Method 204
Moisture Sensitivity Level	J-STD-020, MSL3

## 7 Parameter Measurement Information

### 7.1 Device Output Configurations

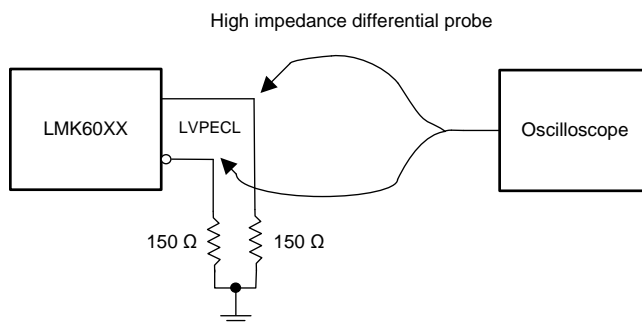


Figure 1. LVPECL Output DC Configuration During Device Test

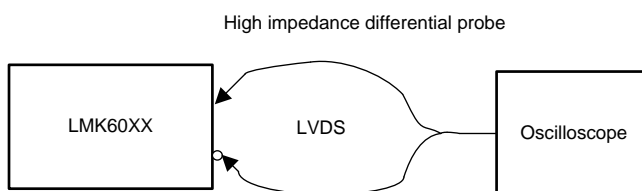


Figure 2. LVDS Output DC Configuration During Device Test

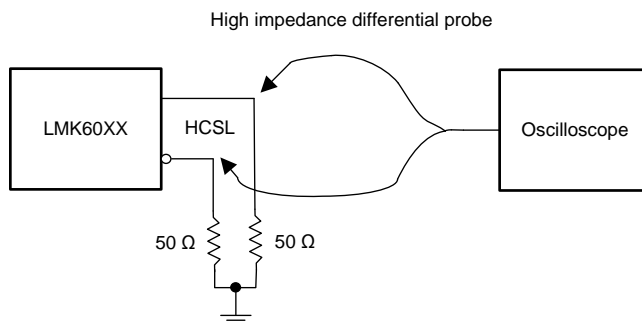


Figure 3. HCSL Output DC Configuration During Device Test <sup>(1)</sup>

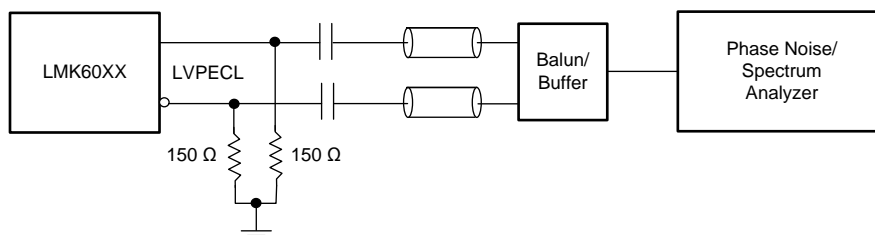
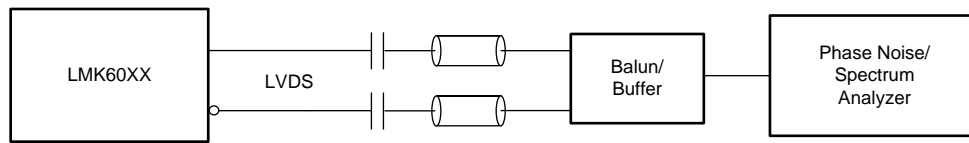


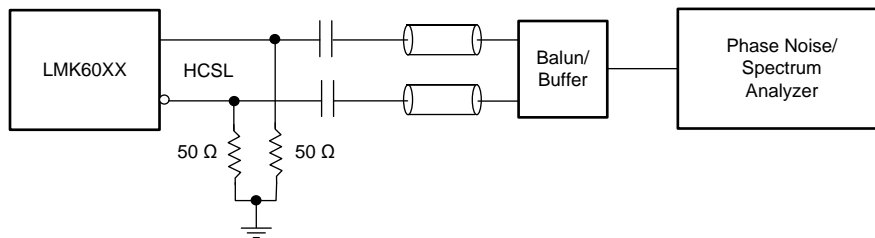
Figure 4. LVPECL Output AC Configuration During Device Test

(1) Also compatible with 85 Ω termination

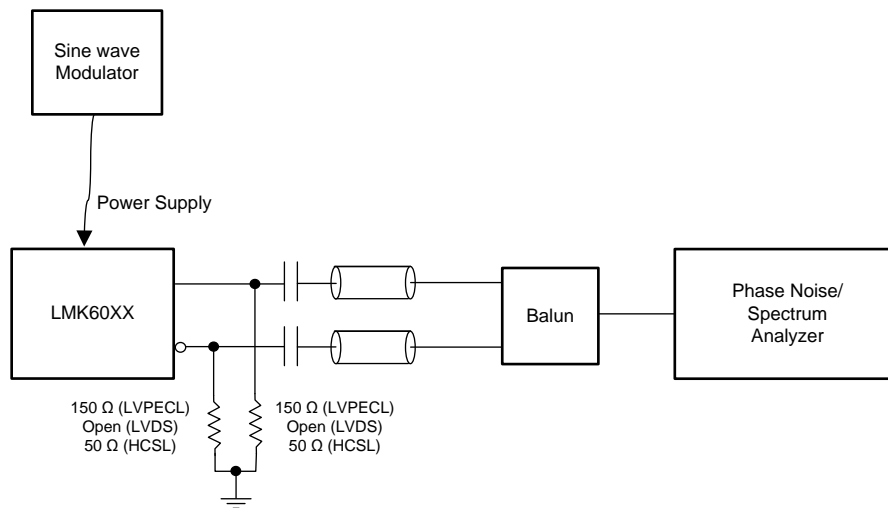
## Device Output Configurations (continued)



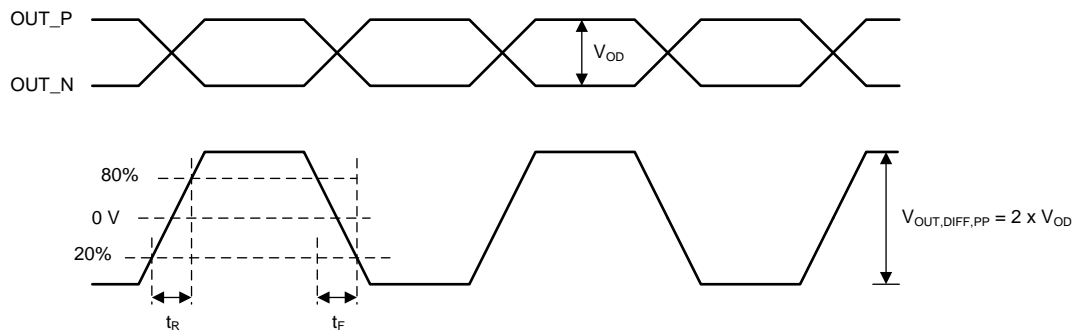
**Figure 5. LVDS Output AC Configuration During Device Test**



**Figure 6. HCSL Output AC Configuration During Device Test**



**Figure 7. PSRR Test Setup**



**Figure 8. Differential Output Voltage and Rise/Fall Time**



## 8 Power Supply Recommendations

For best electrical performance of LMK60EX, TI recommends using a combination of 10  $\mu\text{F}$ , 1  $\mu\text{F}$ , and 0.1  $\mu\text{F}$  on its power-supply bypass network. TI also recommends using component side mounting of the power-supply bypass capacitors and it is best to use 0201 or 0402 body size capacitors to facilitate signal routing. Keep the connections between the bypass capacitors and the power supply on the device as short as possible. Ground the other side of the capacitor using a low impedance connection to the ground plane. [Figure 9](#) shows the layout recommendation for power supply decoupling of LMK60EX.

## 9 Layout

### 9.1 Layout Guidelines

The following sections provides recommendations for board layout, solder reflow profile, and power supply bypassing when using LMK60EX to ensure good thermal and electrical performance, along with overall signal integrity of entire system.

#### 9.1.1 Ensuring Thermal Reliability

The LMK60EX is a high-performance device. Therefore, pay careful attention to device configuration and the printed-circuit board (PCB) layout with respect to power consumption. The ground pin must be connected to the ground plane of the PCB through three vias or more, as shown in [Figure 9](#), to maximize thermal dissipation out of the package.

[Equation 1](#) describes the relationship between the PCB temperature around the LMK60EX and its junction temperature.

$$T_B = T_J - \Psi_{JB} * P$$

where

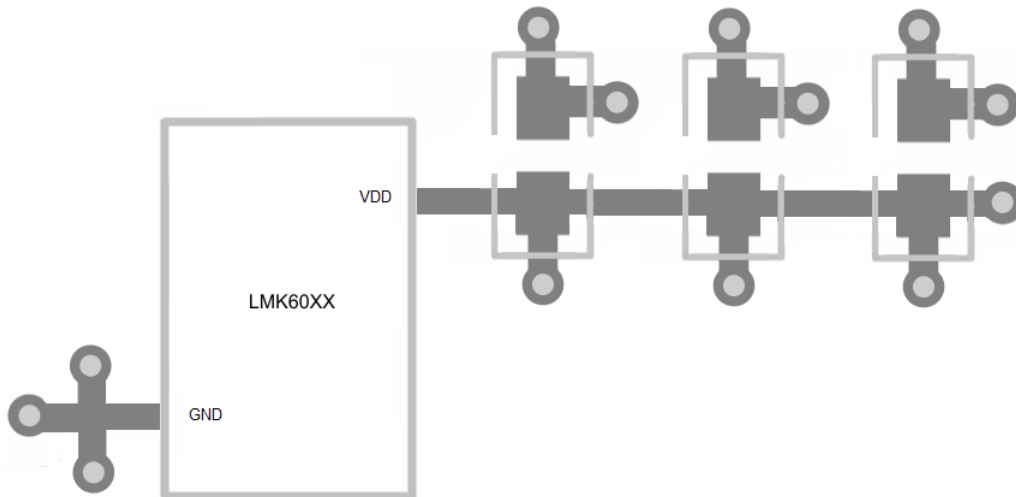
- $T_B$ : PCB temperature around the LMK60EX
  - $T_J$ : Junction temperature of LMK60EX
  - $\Psi_{JB}$ : Junction-to-board thermal resistance parameter of LMK60EX (48.7°C/W without airflow)
  - $P$ : On-chip power dissipation of LMK60EX
- (1)

To ensure that the maximum junction temperature of LMK60EX is below 105°C, it can be calculated that the maximum PCB temperature without airflow should be at 87°C or below when the device is optimized for best performance resulting in maximum on-chip power dissipation of 0.36 W.

#### 9.1.2 Best Practices for Signal Integrity

For best electrical performance and signal integrity of entire system with LMK60EX, TI recommends routing vias into decoupling capacitors and then into the LMK60EX. TI also recommends increasing the via count and width of the traces wherever possible. These steps ensure lowest impedance and shortest path for high frequency current flow. [Figure 9](#) shows the layout recommendation for LMK60EX.

## Layout Guidelines (continued)



**Figure 9. LMK60EX Layout Recommendation for Power Supply and Ground**

### 9.1.3 Recommended Solder Reflow Profile

TI recommends following the recommendations of the solder paste supplier to optimize flux activity and to achieve proper melting temperatures of the alloy within the guidelines of J-STD-20. Processing the LMK60EX to be processed with the lowest peak temperature possible while also remaining below the components peak temperature rating as listed on the MSL label is preferred. The exact temperature profile would depend on several factors including maximum peak temperature for the component as rated on the MSL label, board thickness, PCB material type, PCB geometries, component locations, sizes, densities within PCB, as well as the recommended soldering profile from the manufacturer and capability of the reflow equipment to as confirmed by the SMT assembly operation.

## 10 Device and Documentation Support

### 10.1 Receiving Notification of Documentation Updates

To receive notification of documentation updates, navigate to the device product folder on ti.com. In the upper right corner, click on *Alert me* to register and receive a weekly digest of any product information that has changed. For change details, review the revision history included in any revised document.

### 10.2 Community Resources

The following links connect to TI community resources. Linked contents are provided "AS IS" by the respective contributors. They do not constitute TI specifications and do not necessarily reflect TI's views; see TI's [Terms of Use](#).

**TI E2E™ Online Community** *TI's Engineer-to-Engineer (E2E) Community*. Created to foster collaboration among engineers. At e2e.ti.com, you can ask questions, share knowledge, explore ideas and help solve problems with fellow engineers.

**Design Support** *TI's Design Support* Quickly find helpful E2E forums along with design support tools and contact information for technical support.

### 10.3 Trademarks

E2E is a trademark of Texas Instruments.  
All other trademarks are the property of their respective owners.

### 10.4 Electrostatic Discharge Caution



These devices have limited built-in ESD protection. The leads should be shorted together or the device placed in conductive foam during storage or handling to prevent electrostatic damage to the MOS gates.

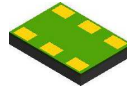
### 10.5 Glossary

[SLYZ022](#) — *TI Glossary*.

This glossary lists and explains terms, acronyms, and definitions.

## 11 Mechanical, Packaging, and Orderable Information

The following pages include mechanical, packaging, and orderable information. This information is the most current data available for the designated devices. This data is subject to change without notice and revision of this document. For browser-based versions of this data sheet, refer to the left-hand navigation.

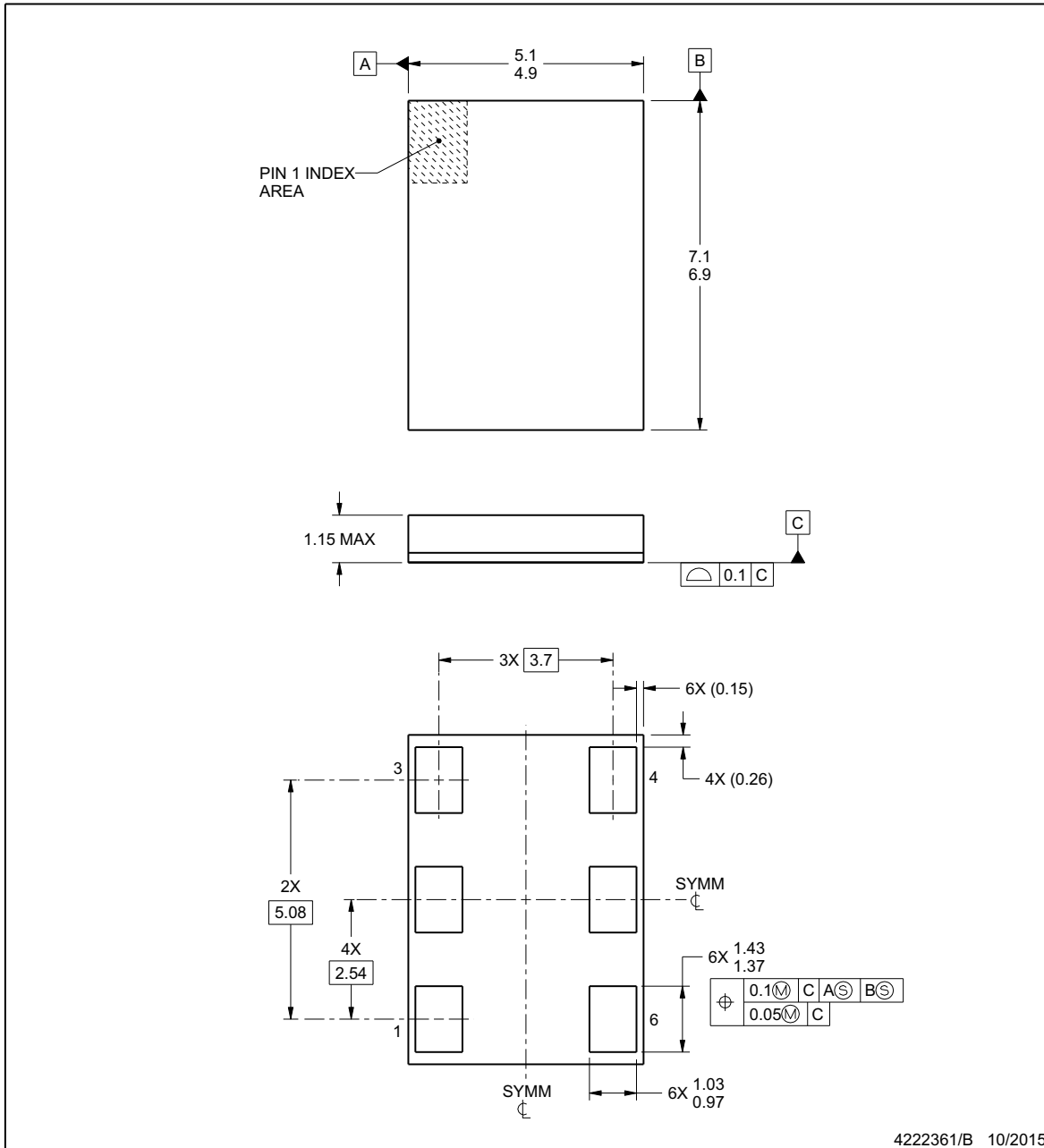


## PACKAGE OUTLINE

SIA0006A

QFM - 1.15 mm max height

QUAD FLAT MODULE



NOTES:

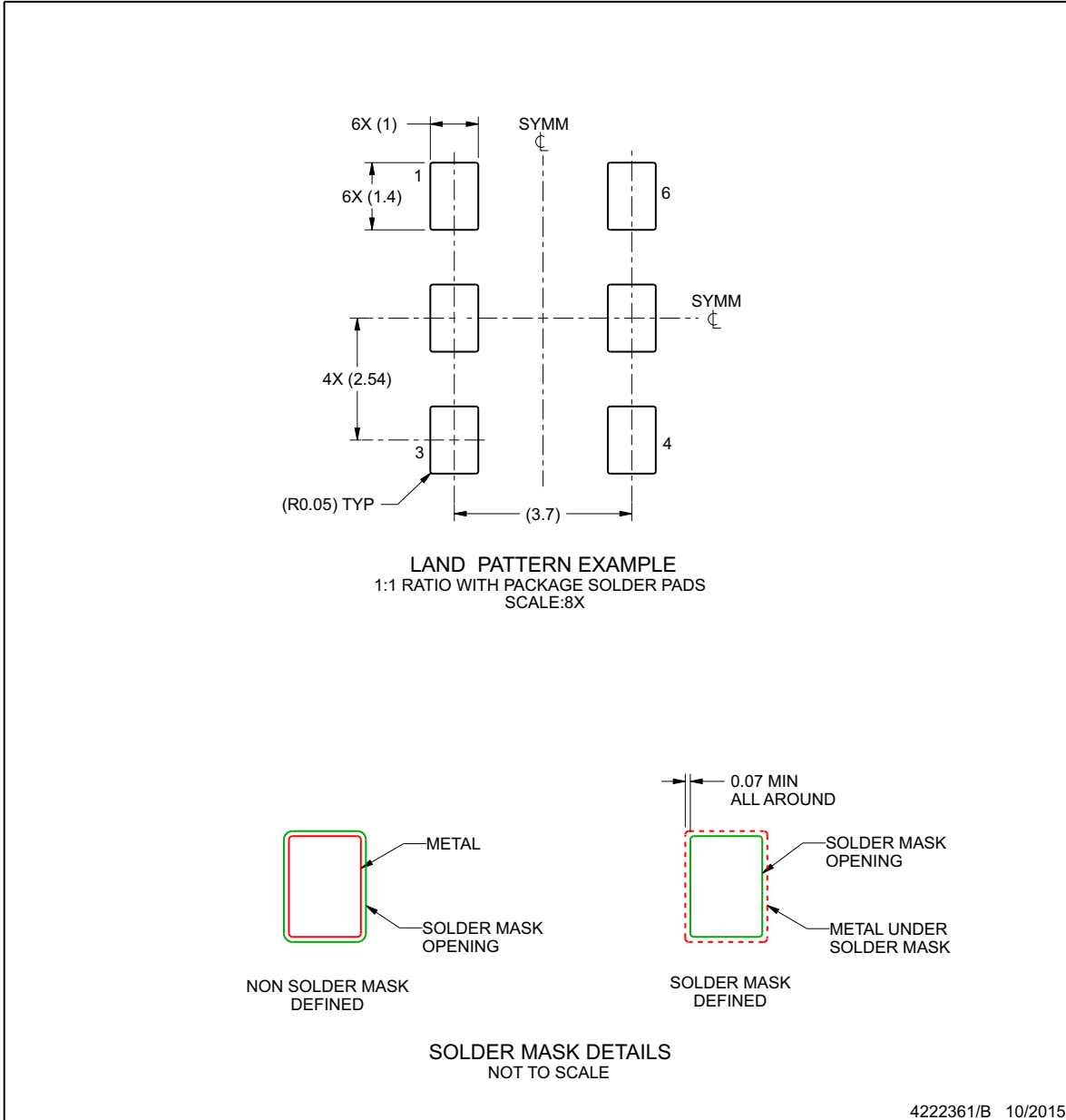
1. All linear dimensions are in millimeters. Any dimensions in parenthesis are for reference only. Dimensioning and tolerancing per ASME Y14.5M.
2. This drawing is subject to change without notice.

## EXAMPLE BOARD LAYOUT

**SIA0006A**

**QFM - 1.15 mm max height**

QUAD FLAT MODULE



NOTES: (continued)

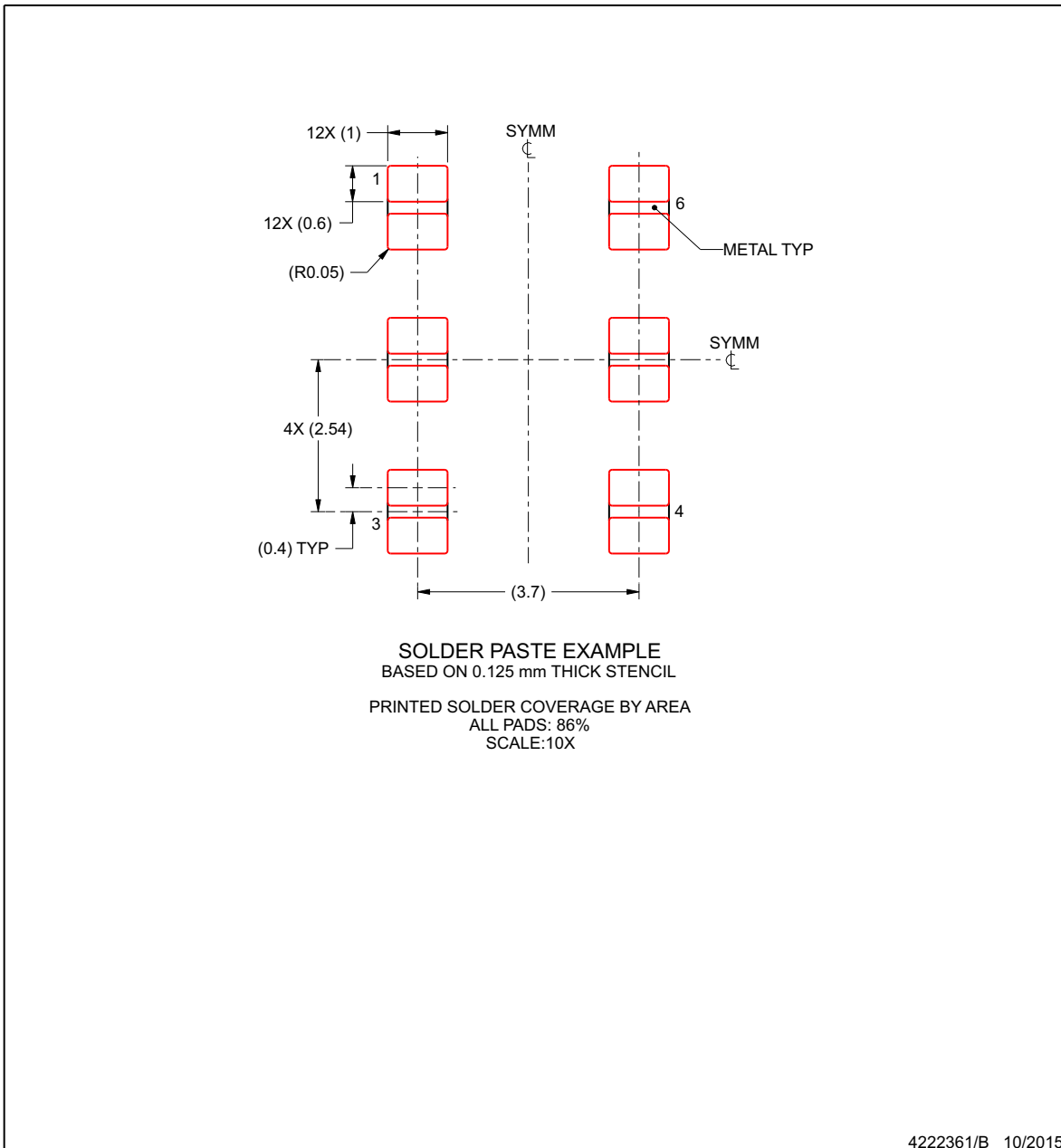
3. For more information, see Texas Instruments literature number SLUA271 ([www.ti.com/lit/slua271](http://www.ti.com/lit/slua271)).

## EXAMPLE STENCIL DESIGN

**SIA0006A**

**QFM - 1.15 mm max height**

QUAD FLAT MODULE



NOTES: (continued)

4. Laser cutting apertures with trapezoidal walls and rounded corners may offer better paste release. IPC-7525 may have alternate design recommendations.

**PACKAGING INFORMATION**

Orderable Device	Status (1)	Package Type	Package Drawing	Pins	Package Qty	Eco Plan (2)	Lead/Ball Finish (6)	MSL Peak Temp (3)	Op Temp (°C)	Device Marking (4/5)	Samples
LMK60E0-156M25SIAR	ACTIVE	QFM	SIA	6	2500	Green (RoHS & no Sb/Br)	NIAU	Level-3-260C-168 HR	-40 to 85	LMK60E0 156M25	<a href="#">Samples</a>
LMK60E0-156M25SIAT	ACTIVE	QFM	SIA	6	250	Green (RoHS & no Sb/Br)	NIAU	Level-3-260C-168 HR	-40 to 85	LMK60E0 156M25	<a href="#">Samples</a>
LMK60E0-212M50SIAR	ACTIVE	QFM	SIA	6	2500	Green (RoHS & no Sb/Br)	NIAU	Level-3-260C-168 HR	-40 to 85	LMK60E0 212M50	<a href="#">Samples</a>
LMK60E0-212M50SIAT	ACTIVE	QFM	SIA	6	250	Green (RoHS & no Sb/Br)	NIAU	Level-3-260C-168 HR	-40 to 85	LMK60E0 212M50	<a href="#">Samples</a>
LMK60E2-100M00SIAR	ACTIVE	QFM	SIA	6	2500	Green (RoHS & no Sb/Br)	NIAU	Level-3-260C-168 HR	-40 to 85	LMK60E2 100M00	<a href="#">Samples</a>
LMK60E2-100M00SIAT	ACTIVE	QFM	SIA	6	250	Green (RoHS & no Sb/Br)	NIAU	Level-3-260C-168 HR	-40 to 85	LMK60E2 100M00	<a href="#">Samples</a>
LMK60E2-125M00SIAR	ACTIVE	QFM	SIA	6	2500	Green (RoHS & no Sb/Br)	NIAU	Level-3-260C-168 HR	-40 to 85	LMK60E2 125M00	<a href="#">Samples</a>
LMK60E2-125M00SIAT	ACTIVE	QFM	SIA	6	250	Green (RoHS & no Sb/Br)	NIAU	Level-3-260C-168 HR	-40 to 85	LMK60E2 125M00	<a href="#">Samples</a>
LMK60E2-156M25SIAR	ACTIVE	QFM	SIA	6	2500	Green (RoHS & no Sb/Br)	Call TI   NIAU	Level-3-260C-168 HR	-40 to 85	LMK60E2 156M25	<a href="#">Samples</a>
LMK60E2-156M25SIAT	ACTIVE	QFM	SIA	6	250	Green (RoHS & no Sb/Br)	Call TI   NIAU	Level-3-260C-168 HR	-40 to 85	LMK60E2 156M25	<a href="#">Samples</a>
LMK60I2-100M00SIAR	ACTIVE	QFM	SIA	6	2500	Green (RoHS & no Sb/Br)	NIAU	Level-3-260C-168 HR	-40 to 85	LMK60I2 100M00	<a href="#">Samples</a>
LMK60I2-100M00SIAT	ACTIVE	QFM	SIA	6	250	Green (RoHS & no Sb/Br)	NIAU	Level-3-260C-168 HR	-40 to 85	LMK60I2 100M00	<a href="#">Samples</a>
LMK60I2-322M26SIAR	ACTIVE	QFM	SIA	6	2500	Green (RoHS & no Sb/Br)	NIAU	Level-3-260C-168 HR	-40 to 85	LMK60I2 322M26	<a href="#">Samples</a>
LMK60I2-322M26SIAT	ACTIVE	QFM	SIA	6	250	Green (RoHS & no Sb/Br)	NIAU	Level-3-260C-168 HR	-40 to 85	LMK60I2 322M26	<a href="#">Samples</a>

(1) The marketing status values are defined as follows:

**ACTIVE:** Product device recommended for new designs.

**LIFEBUY:** TI has announced that the device will be discontinued, and a lifetime-buy period is in effect.

**NRND:** Not recommended for new designs. Device is in production to support existing customers, but TI does not recommend using this part in a new design.

**PREVIEW:** Device has been announced but is not in production. Samples may or may not be available.

**OBSOLETE:** TI has discontinued the production of the device.

<sup>(2)</sup> **RoHS:** TI defines "RoHS" to mean semiconductor products that are compliant with the current EU RoHS requirements for all 10 RoHS substances, including the requirement that RoHS substance do not exceed 0.1% by weight in homogeneous materials. Where designed to be soldered at high temperatures, "RoHS" products are suitable for use in specified lead-free processes. TI may reference these types of products as "Pb-Free".

**RoHS Exempt:** TI defines "RoHS Exempt" to mean products that contain lead but are compliant with EU RoHS pursuant to a specific EU RoHS exemption.

**Green:** TI defines "Green" to mean the content of Chlorine (Cl) and Bromine (Br) based flame retardants meet JS709B low halogen requirements of  $\leq 1000$ ppm threshold. Antimony trioxide based flame retardants must also meet the  $\leq 1000$ ppm threshold requirement.

<sup>(3)</sup> **MSL, Peak Temp.** - The Moisture Sensitivity Level rating according to the JEDEC industry standard classifications, and peak solder temperature.

<sup>(4)</sup> There may be additional marking, which relates to the logo, the lot trace code information, or the environmental category on the device.

<sup>(5)</sup> Multiple Device Markings will be inside parentheses. Only one Device Marking contained in parentheses and separated by a "-" will appear on a device. If a line is indented then it is a continuation of the previous line and the two combined represent the entire Device Marking for that device.

<sup>(6)</sup> **Lead/Ball Finish** - Orderable Devices may have multiple material finish options. Finish options are separated by a vertical ruled line. Lead/Ball Finish values may wrap to two lines if the finish value exceeds the maximum column width.

**Important Information and Disclaimer:** The information provided on this page represents TI's knowledge and belief as of the date that it is provided. TI bases its knowledge and belief on information provided by third parties, and makes no representation or warranty as to the accuracy of such information. Efforts are underway to better integrate information from third parties. TI has taken and continues to take reasonable steps to provide representative and accurate information but may not have conducted destructive testing or chemical analysis on incoming materials and chemicals. TI and TI suppliers consider certain information to be proprietary, and thus CAS numbers and other limited information may not be available for release.

In no event shall TI's liability arising out of such information exceed the total purchase price of the TI part(s) at issue in this document sold by TI to Customer on an annual basis.



**TAPE AND REEL INFORMATION**

**QUADRANT ASSIGNMENTS FOR PIN 1 ORIENTATION IN TAPE**


\*All dimensions are nominal

Device	Package Type	Package Drawing	Pins	SPQ	Reel Diameter (mm)	Reel Width W1 (mm)	A0 (mm)	B0 (mm)	K0 (mm)	P1 (mm)	W (mm)	Pin1 Quadrant
LMK60E0-156M25SIAR	QFM	SIA	6	2500	330.0	16.4	5.5	7.5	1.5	8.0	16.0	Q1
LMK60E0-156M25SIAT	QFM	SIA	6	250	178.0	16.4	5.5	7.5	1.5	8.0	16.0	Q1
LMK60E0-212M50SIAR	QFM	SIA	6	2500	330.0	16.4	5.5	7.5	1.5	8.0	16.0	Q1
LMK60E0-212M50SIAT	QFM	SIA	6	250	178.0	16.4	5.5	7.5	1.5	8.0	16.0	Q1
LMK60E2-100M00SIAR	QFM	SIA	6	2500	330.0	16.4	5.5	7.5	1.5	8.0	16.0	Q1
LMK60E2-100M00SIAT	QFM	SIA	6	250	178.0	16.4	5.5	7.5	1.5	8.0	16.0	Q1
LMK60E2-125M00SIAR	QFM	SIA	6	2500	330.0	16.4	5.5	7.5	1.5	8.0	16.0	Q1
LMK60E2-125M00SIAT	QFM	SIA	6	250	178.0	16.4	5.5	7.5	1.5	8.0	16.0	Q1
LMK60E2-156M25SIAR	QFM	SIA	6	2500	330.0	16.4	5.5	7.5	1.5	8.0	16.0	Q1
LMK60E2-156M25SIAT	QFM	SIA	6	250	178.0	16.4	5.5	7.5	1.5	8.0	16.0	Q1
LMK60I2-100M00SIAR	QFM	SIA	6	2500	330.0	16.4	5.5	7.5	1.5	8.0	16.0	Q1
LMK60I2-100M00SIAT	QFM	SIA	6	250	178.0	16.4	5.5	7.5	1.5	8.0	16.0	Q1
LMK60I2-322M26SIAR	QFM	SIA	6	2500	330.0	16.4	5.5	7.5	1.5	8.0	16.0	Q1
LMK60I2-322M26SIAT	QFM	SIA	6	250	178.0	16.4	5.5	7.5	1.5	8.0	16.0	Q1

**TAPE AND REEL BOX DIMENSIONS**


\*All dimensions are nominal

Device	Package Type	Package Drawing	Pins	SPQ	Length (mm)	Width (mm)	Height (mm)
LMK60E0-156M25SIAR	QFM	SIA	6	2500	367.0	367.0	38.0
LMK60E0-156M25SIAT	QFM	SIA	6	250	213.0	191.0	55.0
LMK60E0-212M50SIAR	QFM	SIA	6	2500	367.0	367.0	38.0
LMK60E0-212M50SIAT	QFM	SIA	6	250	210.0	185.0	35.0
LMK60E2-100M00SIAR	QFM	SIA	6	2500	367.0	367.0	38.0
LMK60E2-100M00SIAT	QFM	SIA	6	250	210.0	185.0	35.0
LMK60E2-125M00SIAR	QFM	SIA	6	2500	367.0	367.0	38.0
LMK60E2-125M00SIAT	QFM	SIA	6	250	210.0	185.0	35.0
LMK60E2-156M25SIAR	QFM	SIA	6	2500	367.0	367.0	38.0
LMK60E2-156M25SIAT	QFM	SIA	6	250	210.0	185.0	35.0
LMK60I2-100M00SIAR	QFM	SIA	6	2500	367.0	367.0	38.0
LMK60I2-100M00SIAT	QFM	SIA	6	250	210.0	185.0	35.0
LMK60I2-322M26SIAR	QFM	SIA	6	2500	367.0	367.0	38.0
LMK60I2-322M26SIAT	QFM	SIA	6	250	210.0	185.0	35.0

## IMPORTANT NOTICE

Texas Instruments Incorporated (TI) reserves the right to make corrections, enhancements, improvements and other changes to its semiconductor products and services per JESD46, latest issue, and to discontinue any product or service per JESD48, latest issue. Buyers should obtain the latest relevant information before placing orders and should verify that such information is current and complete.

TI's published terms of sale for semiconductor products (<http://www.ti.com/sc/docs/stdterms.htm>) apply to the sale of packaged integrated circuit products that TI has qualified and released to market. Additional terms may apply to the use or sale of other types of TI products and services.

Reproduction of significant portions of TI information in TI data sheets is permissible only if reproduction is without alteration and is accompanied by all associated warranties, conditions, limitations, and notices. TI is not responsible or liable for such reproduced documentation. Information of third parties may be subject to additional restrictions. Resale of TI products or services with statements different from or beyond the parameters stated by TI for that product or service voids all express and any implied warranties for the associated TI product or service and is an unfair and deceptive business practice. TI is not responsible or liable for any such statements.

Buyers and others who are developing systems that incorporate TI products (collectively, "Designers") understand and agree that Designers remain responsible for using their independent analysis, evaluation and judgment in designing their applications and that Designers have full and exclusive responsibility to assure the safety of Designers' applications and compliance of their applications (and of all TI products used in or for Designers' applications) with all applicable regulations, laws and other applicable requirements. Designer represents that, with respect to their applications, Designer has all the necessary expertise to create and implement safeguards that (1) anticipate dangerous consequences of failures, (2) monitor failures and their consequences, and (3) lessen the likelihood of failures that might cause harm and take appropriate actions. Designer agrees that prior to using or distributing any applications that include TI products, Designer will thoroughly test such applications and the functionality of such TI products as used in such applications.

TI's provision of technical, application or other design advice, quality characterization, reliability data or other services or information, including, but not limited to, reference designs and materials relating to evaluation modules, (collectively, "TI Resources") are intended to assist designers who are developing applications that incorporate TI products; by downloading, accessing or using TI Resources in any way, Designer (individually or, if Designer is acting on behalf of a company, Designer's company) agrees to use any particular TI Resource solely for this purpose and subject to the terms of this Notice.

TI's provision of TI Resources does not expand or otherwise alter TI's applicable published warranties or warranty disclaimers for TI products, and no additional obligations or liabilities arise from TI providing such TI Resources. TI reserves the right to make corrections, enhancements, improvements and other changes to its TI Resources. TI has not conducted any testing other than that specifically described in the published documentation for a particular TI Resource.

Designer is authorized to use, copy and modify any individual TI Resource only in connection with the development of applications that include the TI product(s) identified in such TI Resource. NO OTHER LICENSE, EXPRESS OR IMPLIED, BY ESTOPPEL OR OTHERWISE TO ANY OTHER TI INTELLECTUAL PROPERTY RIGHT, AND NO LICENSE TO ANY TECHNOLOGY OR INTELLECTUAL PROPERTY RIGHT OF TI OR ANY THIRD PARTY IS GRANTED HEREIN, including but not limited to any patent right, copyright, mask work right, or other intellectual property right relating to any combination, machine, or process in which TI products or services are used. Information regarding or referencing third-party products or services does not constitute a license to use such products or services, or a warranty or endorsement thereof. Use of TI Resources may require a license from a third party under the patents or other intellectual property of the third party, or a license from TI under the patents or other intellectual property of TI.

TI RESOURCES ARE PROVIDED "AS IS" AND WITH ALL FAULTS. TI DISCLAIMS ALL OTHER WARRANTIES OR REPRESENTATIONS, EXPRESS OR IMPLIED, REGARDING RESOURCES OR USE THEREOF, INCLUDING BUT NOT LIMITED TO ACCURACY OR COMPLETENESS, TITLE, ANY EPIDEMIC FAILURE WARRANTY AND ANY IMPLIED WARRANTIES OF MERCHANTABILITY, FITNESS FOR A PARTICULAR PURPOSE, AND NON-INFRINGEMENT OF ANY THIRD PARTY INTELLECTUAL PROPERTY RIGHTS. TI SHALL NOT BE LIABLE FOR AND SHALL NOT DEFEND OR INDEMNIFY DESIGNER AGAINST ANY CLAIM, INCLUDING BUT NOT LIMITED TO ANY INFRINGEMENT CLAIM THAT RELATES TO OR IS BASED ON ANY COMBINATION OF PRODUCTS EVEN IF DESCRIBED IN TI RESOURCES OR OTHERWISE. IN NO EVENT SHALL TI BE LIABLE FOR ANY ACTUAL, DIRECT, SPECIAL, COLLATERAL, INDIRECT, PUNITIVE, INCIDENTAL, CONSEQUENTIAL OR EXEMPLARY DAMAGES IN CONNECTION WITH OR ARISING OUT OF TI RESOURCES OR USE THEREOF, AND REGARDLESS OF WHETHER TI HAS BEEN ADVISED OF THE POSSIBILITY OF SUCH DAMAGES.

Unless TI has explicitly designated an individual product as meeting the requirements of a particular industry standard (e.g., ISO/TS 16949 and ISO 26262), TI is not responsible for any failure to meet such industry standard requirements.

Where TI specifically promotes products as facilitating functional safety or as compliant with industry functional safety standards, such products are intended to help enable customers to design and create their own applications that meet applicable functional safety standards and requirements. Using products in an application does not by itself establish any safety features in the application. Designers must ensure compliance with safety-related requirements and standards applicable to their applications. Designer may not use any TI products in life-critical medical equipment unless authorized officers of the parties have executed a special contract specifically governing such use. Life-critical medical equipment is medical equipment where failure of such equipment would cause serious bodily injury or death (e.g., life support, pacemakers, defibrillators, heart pumps, neurostimulators, and implantables). Such equipment includes, without limitation, all medical devices identified by the U.S. Food and Drug Administration as Class III devices and equivalent classifications outside the U.S.

TI may expressly designate certain products as completing a particular qualification (e.g., Q100, Military Grade, or Enhanced Product). Designers agree that it has the necessary expertise to select the product with the appropriate qualification designation for their applications and that proper product selection is at Designers' own risk. Designers are solely responsible for compliance with all legal and regulatory requirements in connection with such selection.

Designer will fully indemnify TI and its representatives against any damages, costs, losses, and/or liabilities arising out of Designer's non-compliance with the terms and provisions of this Notice.