

LMK61E08 Ultra-Low Jitter Programmable Oscillator With Internal EEPROM

1 Features

- Ultra-Low Noise, High Performance
 - Jitter: 90-fs RMS Typical $f_{OUT} > 100$ MHz on LMK61E08
 - PSRR: -70 dBc, Robust Supply Noise Immunity on LMK61E08
- Flexible Output Format on LMK61E08
 - LVPECL up to 1 GHz
 - LVDS up to 900 MHz
 - HCSL up to 400 MHz
- Total Frequency Tolerance of ± 25 ppm
- System Level Features
 - Glitch-Less Frequency Margining: Up to ± 1000 ppm From Nominal
 - Internal EEPROM: User Configurable Start-Up Settings
- Other Features
 - Device Control: Fast Mode I²C up to 1000 kHz
 - 3.3-V Operating Voltage
 - Industrial Temperature Range (-40°C to $+85^{\circ}\text{C}$)
 - 7-mm x 5-mm 6-Pin Package
- Default Frequency:
 - 70.656 MHz

2 Applications

- High-Performance Replacement for Crystal, SAW, or Silicon-Based Oscillators
- Switches, Routers, Network Line Cards, Base Band Units (BBU), Servers, Storage/SAN
- Test and Measurement
- Medical Imaging
- FPGA, Processor Attach
- xDSL, Broadcast Video

3 Description

The LMK61E08 family of ultra-low jitter PLLatinum™ programmable oscillators uses fractional-N frequency synthesizers with integrated VCOs to generate commonly used reference clocks. The output on LMK61E08 can be configured as LVPECL, LVDS, or HCSL. The device features self-start-up from on-chip EEPROM to generate a factory-programmed default output frequency, or the device registers and EEPROM settings are fully programmable in-system through an I²C serial interface. The device provides fine and coarse frequency margining control through an I²C serial interface, making it a digitally-controlled oscillator (DCXO).

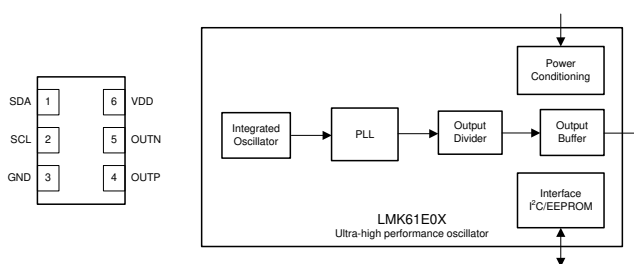
The PLL feedback divider can be updated to adjust the output frequency without spikes or glitches in steps of <1 ppb using a PFD of 12.5 MHz (R divider=4, doubler disabled) for compatibility with xDSL requirements, or in steps of <5.2 ppb using a PFD of 100 MHz (R divider=1, doubler enabled) for compatibility with broadcast video requirements. The frequency margining features also facilitate system design verification tests (DVT), such as standards compliance and system timing margin testing.

Device Information⁽¹⁾

| PART NUMBER | PACKAGE | BODY SIZE (NOM) |
|-------------|---------|-------------------|
| LMK61E08 | QFM (6) | 7.00 mm x 5.00 mm |

(1) For all available packages, see the orderable addendum at the end of the data sheet.

Pinout and Simplified Block Diagram



Copyright © 2016, Texas Instruments Incorporated



Table of Contents

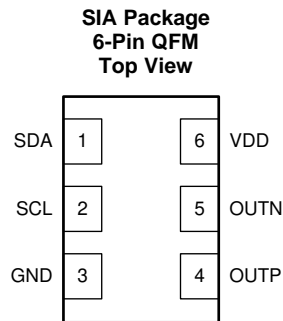
| | | | | | |
|----------|--|----------|-----------|---|-----------|
| 1 | Features | 1 | 6.19 | Typical Characteristics | 9 |
| 2 | Applications | 1 | 7 | Parameter Measurement Information | 13 |
| 3 | Description | 1 | 7.1 | Device Output Configurations | 13 |
| 4 | Revision History | 2 | 8 | Detailed Description | 15 |
| 5 | Pin Configuration and Functions | 3 | 8.1 | Overview | 15 |
| 6 | Specifications | 4 | 8.2 | Functional Block Diagram | 15 |
| 6.1 | Absolute Maximum Ratings | 4 | 8.3 | Feature Description | 16 |
| 6.2 | ESD Ratings | 4 | 8.4 | Device Functional Modes | 19 |
| 6.3 | Recommended Operating Conditions | 4 | 8.5 | Programming | 22 |
| 6.4 | Thermal Information | 4 | 8.6 | Register Maps | 26 |
| 6.5 | Electrical Characteristics - Power Supply | 5 | 9 | Application and Implementation | 39 |
| 6.6 | LVPECL Output Characteristics | 5 | 9.1 | Application Information | 39 |
| 6.7 | LVDS Output Characteristics | 5 | 9.2 | Typical Application | 39 |
| 6.8 | HCSL Output Characteristics | 5 | 10 | Power Supply Recommendations | 43 |
| 6.9 | Frequency Tolerance Characteristics | 6 | 11 | Layout | 43 |
| 6.10 | Frequency Margining Characteristics | 6 | 11.1 | Layout Guidelines | 43 |
| 6.11 | Power-On Reset Characteristics (VDD) | 6 | 11.2 | Layout Example | 44 |
| 6.12 | I ² C-Compatible Interface Characteristics (SDA, SCL) | 6 | 12 | Device and Documentation Support | 45 |
| 6.13 | PSRR Characteristics | 7 | 12.1 | Documentation Support | 45 |
| 6.14 | Other Characteristics | 7 | 12.2 | Receiving Notification of Documentation Updates | 45 |
| 6.15 | PLL Clock Output Jitter Characteristics | 7 | 12.3 | Support Resources | 45 |
| 6.16 | Typical 156.25-MHz Output Phase Noise Characteristics | 8 | 12.4 | Trademarks | 45 |
| 6.17 | Typical 161.1328125 MHz Output Phase Noise Characteristics | 8 | 12.5 | Electrostatic Discharge Caution | 45 |
| 6.18 | Additional Reliability and Qualification | 8 | 12.6 | Glossary | 45 |
| | | | 13 | Mechanical, Packaging, and Orderable Information | 45 |
| | | | 13.1 | Package Option Addendum | 46 |

4 Revision History

NOTE: Page numbers for previous revisions may differ from page numbers in the current version.

| DATE | VERSION | NOTES |
|-----------|---------|------------------|
| June 2020 | * | Initial release. |

5 Pin Configuration and Functions



Pin Functions

| PIN | | I/O | DESCRIPTION |
|-------------------------------------|-----|---------|--|
| NAME | NO. | | |
| POWER | | | |
| GND | 3 | Ground | Device Ground. |
| VDD | 6 | Power | 3.3-V Power Supply. |
| OUTPUT BLOCK | | | |
| OUTP | 4 | Output | Differential Output Pair (LVPECL, LVDS, or HCSSL). |
| OUTN | 5 | | |
| DIGITAL CONTROL / INTERFACES | | | |
| SCL | 2 | LVC MOS | I ² C Serial Clock (open-drain). Requires an external pullup resistor to VDD. |
| SDA | 1 | LVC MOS | I ² C Serial Data (bidirectional, open-drain). Requires an external pullup resistor to VDD. |

6 Specifications

6.1 Absolute Maximum Ratings

 over operating free-air temperature range (unless otherwise noted)⁽¹⁾

| | | MIN | MAX | UNIT |
|------------------|----------------------------------|------|-----------------------|------|
| V _{DD} | Device supply voltage | -0.3 | 3.6 | V |
| V _{IN} | Input voltage for logic inputs | -0.3 | V _{DD} + 0.3 | V |
| V _{OUT} | Output voltage for clock outputs | -0.3 | V _{DD} + 0.3 | V |
| T _J | Junction temperature | | 150 | °C |
| T _{STG} | Storage temperature | -40 | 125 | °C |

- (1) Stresses beyond those listed under *Absolute Maximum Ratings* may cause permanent damage to the device. These are stress ratings only, which do not imply functional operation of the device at these or any other conditions beyond those indicated under *Recommended Operating Conditions*. Exposure to absolute maximum-rated conditions for extended periods may affect device reliability.

6.2 ESD Ratings

| | | VALUE | UNIT |
|--------------------|-------------------------|--|------|
| V _(ESD) | Electrostatic discharge | Human-body model (HBM), per ANSI/ESDA/JEDEC JS-001 ⁽¹⁾ | V |
| | | Charged-device model (CDM), per JEDEC specification JESD22-C101 ⁽²⁾ | |

- (1) JEDEC document JEP155 states that 500-V HBM allows safe manufacturing with a standard ESD control process.

- (2) JEDEC document JEP157 states that 250-V CDM allows safe manufacturing with a standard ESD control process.

6.3 Recommended Operating Conditions

over operating free-air temperature range (unless otherwise noted)

| | | MIN | NOM | MAX | UNIT |
|-------------------|------------------------------------|-------|-----|-------|------|
| V _{DD} | Device supply voltage | 3.135 | 3.3 | 3.465 | V |
| T _A | Ambient temperature | -40 | 25 | 85 | °C |
| T _J | Junction temperature | | | 115 | °C |
| t _{RAMP} | V _{DD} power-up ramp time | 0.1 | | 100 | ms |

6.4 Thermal Information

| THERMAL METRIC ⁽¹⁾ | LMK61E08 ^{(2) (3) (4)} | | | UNIT | |
|-------------------------------|--|-------------------|-------------------|------|------|
| | SIA (QFM) | | | | |
| | 8 PINS | | | | |
| | Airflow (LFM) 0 | Airflow (LFM) 200 | Airflow (LFM) 400 | | |
| R _{θJA} | Junction-to-ambient thermal resistance | 54 | 44 | 41.2 | °C/W |
| R _{θJC(top)} | Junction-to-case (top) thermal resistance | 34 | n/a | n/a | °C/W |
| R _{θJB} | Junction-to-board thermal resistance | 36.7 | n/a | n/a | °C/W |
| ψ _{JT} | Junction-to-top characterization parameter | 11.2 | 16.9 | 21.9 | °C/W |
| ψ _{JB} | Junction-to-board characterization parameter | 36.7 | 37.8 | 38.9 | °C/W |
| R _{θJC(bot)} | Junction-to-case (bottom) thermal resistance | n/a | n/a | n/a | °C/W |

- (1) For more information about traditional and new thermal metrics, see the [Semiconductor and IC Package Thermal Metrics](#) application report.
- (2) The package thermal resistance is calculated on a 4-layer JEDEC board.
- (3) Connected to GND with 3 thermal vias (0.3-mm diameter).
- (4) ψ_{JB} (junction-to-board) is used when the main heat flow is from the junction to the GND pad. See [Layout Guidelines](#) for more information on ensuring good system reliability and quality.

6.5 Electrical Characteristics - Power Supply⁽¹⁾

VDD = 3.3 V ± 5%, T_A = –40°C to 85°C

| PARAMETER | | TEST CONDITIONS | MIN | TYP | MAX | UNIT |
|-----------|--|-----------------------|-----|-----|-----|------|
| IDD | Device current consumption | LVPECL ⁽²⁾ | | 162 | 208 | mA |
| | | HCSL | | 155 | 196 | |
| IDD-PD | Device current consumption when output is disabled | | | 120 | | |

(1) Refer to [Parameter Measurement Information](#) for relevant test conditions.

(2) On-chip power dissipation should exclude 40 mW, dissipated in the 150-Ω termination resistors, from total power dissipation.

6.6 LVPECL Output Characteristics⁽¹⁾

VDD = 3.3 V ± 5%, T_A = –40°C to 85°C

| PARAMETER | | TEST CONDITIONS | MIN | TYP | MAX | UNIT |
|---------------------------------|--|-----------------|-----|----------------------|------|--------|
| f _{OUT} | Output frequency ⁽²⁾ | | 10 | | 1000 | MHz |
| V _{OD} | Output voltage swing (V _{OH} - V _{OL}) ⁽²⁾ | | 700 | 800 | 1200 | mV |
| V _{OUT, DIFF, PP} | Differential output peak-to-peak swing | | | 2 x V _{OD} | | V |
| V _{OS} | Output common-mode voltage | | | VDD – 1.55 | | V |
| t _R / t _F | Output rise/fall time (20% to 80%) ⁽³⁾ | | | 120 | 200 | ps |
| PN-Floor | Output phase noise floor (f _{OFFSET} > 10 MHz) | 156.25 MHz | | –165 | | dBc/Hz |
| ODC | Output duty cycle ⁽³⁾ | | 45% | | 55% | |

(1) Refer to [Parameter Measurement Information](#) for relevant test conditions.

(2) An output frequency over f_{OUT} maximum spec is possible, but output swing may be less than V_{OD} minimum spec.

(3) Ensured by characterization.

6.7 LVDS Output Characteristics⁽¹⁾

VDD = 3.3 V ± 5%, T_A = –40°C to 85°C

| PARAMETER | | TEST CONDITIONS | MIN | TYP | MAX | UNIT |
|---------------------------------|--|-----------------|-----|----------------------|-----|--------|
| f _{OUT} | Output Frequency ⁽¹⁾ | | 10 | | 900 | MHz |
| V _{OD} | Output Voltage Swing (V _{OH} - V _{OL}) ⁽¹⁾ | | 300 | 390 | 480 | mV |
| V _{OUT, DIFF, PP} | Differential Output Peak-to-Peak Swing | | | 2 x V _{OD} | | V |
| V _{OS} | Output Common Mode Voltage | | | 1.2 | | V |
| t _R / t _F | Output Rise/Fall Time (20% to 80%) ⁽²⁾ | | | 150 | 250 | ps |
| PN-Floor | Output Phase Noise Floor (f _{OFFSET} > 10 MHz) | 156.25 MHz | | –162 | | dBc/Hz |
| ODC | Output Duty Cycle ⁽²⁾ | | 45% | | 55% | |
| R _{OUT} | Differential Output Impedance | | | 125 | | Ω |

(1) An output frequency over f_{OUT} max spec is possible, but output swing may be less than V_{OD} min spec.

(2) Ensured by characterization.

6.8 HCSL Output Characteristics⁽¹⁾

VDD = 3.3 V ± 5%, T_A = –40°C to 85°C

| PARAMETER | | TEST CONDITIONS | MIN | TYP | MAX | UNIT |
|------------------|---------------------|-----------------|-----|-----|-----|------|
| f _{OUT} | Output frequency | | 10 | | 400 | MHz |
| V _{OH} | Output high voltage | | 600 | | 850 | mV |

(1) Refer to [Parameter Measurement Information](#) for relevant test conditions.

HCSL Output Characteristics⁽¹⁾ (continued)

 VDD = 3.3 V ± 5%, T_A = –40°C to 85°C

| PARAMETER | TEST CONDITIONS | MIN | TYP | MAX | UNIT |
|--------------------------|---|---------|------|-----|--------|
| V _{OL} | Output low voltage | -100 | | 100 | mV |
| V _{CROSS} | Absolute crossing voltage ⁽²⁾⁽³⁾ | 250 | | 475 | mV |
| V _{CROSS-DELTA} | Variation of V _{CROSS} ⁽²⁾⁽³⁾ | 0 | | 140 | mV |
| dV/dt | Slew rate ⁽⁴⁾ | 0.8 | | 2 | V/ns |
| PN-Floor | Output phase noise floor (f _{OFFSET} > 10 MHz) | 100 MHz | -164 | | dBc/Hz |
| ODC | Output duty cycle ⁽⁴⁾ | 45% | | 55% | |

(2) Measured from -150 mV to +150 mV on the differential waveform with the 300-mVpp measurement window centered on the differential zero crossing.

(3) Ensured by design.

(4) Ensured by characterization.

6.9 Frequency Tolerance Characteristics⁽¹⁾

 VDD = 3.3 V ± 5%, T_A = –40°C to 85°C

| PARAMETER | TEST CONDITIONS | MIN | TYP | MAX | UNIT |
|----------------|---------------------------|-----|-----|-----|------|
| f _T | Total frequency tolerance | -25 | | 25 | ppm |

All frequency bands and device junction temperature up to 115°C; includes initial freq tolerance, temperature & supply voltage variation, solder reflow, and 5 year aging at 40°C ambient temperature

(1) Ensured by characterization.

6.10 Frequency Margining Characteristics

 VDD = 3.3 V ± 5%, T_A = –40°C to 85°C

| PARAMETER | TEST CONDITIONS | MIN | TYP | MAX | UNIT |
|----------------|--|-------|-----|------|------|
| f _T | Frequency margining range from nominal | -1000 | | 1000 | ppm |

6.11 Power-On Reset Characteristics (VDD)

 VDD = 3.3 V ± 5%, T_A = –40°C to 85°C

| PARAMETER | TEST CONDITIONS | MIN | TYP | MAX | UNIT |
|----------------------|-------------------------|--|-----|------|------|
| V _{THRESH} | Threshold voltage | 2.72 | | 2.95 | V |
| V _{DROOP} | Allowable voltage droop | | | 0.1 | V |
| t _{STARTUP} | Start-up time | Time elapsed from VDD at 3.135 V to output enabled | | 10 | ms |

6.12 I²C-Compatible Interface Characteristics (SDA, SCL)⁽¹⁾⁽²⁾

 VDD = 3.3 V ± 5%, T_A = –40°C to 85°C

| PARAMETER | TEST CONDITIONS | MIN | TYP | MAX | UNIT |
|---------------------|-----------------------------|-------------------------|-----|------|------|
| V _{IH} | Input high voltage | 1.2 | | | V |
| V _{IL} | Input low voltage | | | 0.6 | V |
| I _{IH} | Input leakage | -40 | | 40 | μA |
| C _{IN} | Input capacitance | | 2 | | pF |
| C _{OUT} | Input capacitance | | | 400 | pF |
| V _{OL} | Output low voltage | I _{OL} = 3 mA | | 0.6 | V |
| f _{SCL} | I ² C clock rate | 100 | | 1000 | kHz |
| t _{SU_STA} | START condition setup time | SCL high before SDA low | 0.6 | | μs |

(1) Total capacitive load for each bus line ≤ 400 pF.

(2) Ensured by design.

I²C-Compatible Interface Characteristics (SDA, SCL)⁽¹⁾⁽²⁾ (continued)

VDD = 3.3 V ± 5%, T_A = –40°C to 85°C

| PARAMETER | TEST CONDITIONS | MIN | TYP | MAX | UNIT |
|---------------------------------------|--|-----|-----|-----|------|
| t _{H_STA} | START condition hold time SCL low after SDA low | 0.6 | | | μs |
| t _{PH_SCL} | SCL pulse width high | 0.6 | | | μs |
| t _{PL_SCL} | SCL pulse width low | 1.3 | | | μs |
| t _{H_SDA} | SDA hold time SDA valid after SCL low | 0 | | 0.9 | μs |
| t _{SU_SDA} | SDA setup time | 115 | | | ns |
| t _{R_IN} / t _{F_IN} | SCL/SDA input rise and fall time | | | 300 | ns |
| t _{F_OUT} | SDA output fall time C _{BUS} = 10 pF to 400 pF | | | 250 | ns |
| t _{SU_STOP} | STOP condition setup time | 0.6 | | | μs |
| t _{BUS} | Bus free time between STOP and START | 1.3 | | | μs |

6.13 PSRR Characteristics⁽¹⁾

VDD = 3.3 V, T_A = 25°C, PLL bandwidth = 400 kHz, VCO Frequency = 5 GHz (Integer-N PLL), Output Divider = 32, Output Type = LVPECL/LVDS/HCSL

| PARAMETER | TEST CONDITIONS | MIN | TYP | MAX | UNIT |
|-----------|---|----------------------|-----|-----|------|
| PSRR | Spurs Induced by 50-mV power supply ripple ⁽²⁾⁽³⁾ at 156.25-MHz output, all output types | Sine wave at 50 kHz | –70 | | dBc |
| | | Sine wave at 100 kHz | –70 | | |
| | | Sine wave at 500 kHz | –70 | | |
| | | Sine wave at 1 MHz | –70 | | |

(1) Refer to [Parameter Measurement Information](#) for relevant test conditions.

(2) Measured max spur level with 50-mVpp sinusoidal signal between 50 kHz and 1 MHz applied on VDD pin

(3) DJ_{SPUR} (ps, pk-pk) = [2 × 10(SPUR/20) / (π × f_{OUT})] × 1e6, where PSRR or SPUR in dBc and f_{OUT} in MHz.

6.14 Other Characteristics

VDD = 3.3 V ± 5%, T_A = –40°C to 85°C

| PARAMETER | TEST CONDITIONS | MIN | TYP | MAX | UNIT |
|------------------|---------------------|-----|-----|-----|------|
| f _{VCO} | VCO frequency range | 4.6 | | 5.6 | GHz |

6.15 PLL Clock Output Jitter Characteristics⁽¹⁾⁽²⁾

VDD = 3.3 V ± 5%, T_A = –40°C to 85°C

| PARAMETER | TEST CONDITIONS | MIN | TYP | MAX | UNIT |
|-----------|--|-----|-----|-----|--------|
| RJ | RMS phase jitter ⁽³⁾ (12 kHz – 20 MHz) f _{OUT} ≥ 100 MHz, Integer-N PLL, All output types | | 100 | 200 | fs RMS |
| RJ | RMS phase jitter ⁽³⁾ (12 kHz – 20 MHz) f _{OUT} ≥ 100 MHz, Fractional-N PLL, All output types | | 150 | 300 | fs RMS |
| RJ | RMS phase jitter ⁽³⁾ (12 kHz – 20 MHz) f _{OUT} = 70.656 MHz, Default divider settings | | 300 | 500 | fs RMS |

(1) Refer to [Parameter Measurement Information](#) for relevant test conditions.

(2) Phase jitter measured with Agilent E5052 signal source analyzer.

(3) Ensured by characterization.

6.16 Typical 156.25-MHz Output Phase Noise Characteristics⁽¹⁾⁽²⁾

VDD = 3.3 V, T_A = 25°C, PLL bandwidth = 400 kHz, VCO Frequency = 5 GHz, Integer-N PLL, Output Divider = 32, Output Type = LVPECL/LVDS/HCSL

| PARAMETER | | OUTPUT TYPE | | | UNIT |
|---------------------|-------------------------------|-------------|------|------|--------|
| | | LVPECL | LVDS | HCSL | |
| phn _{10k} | Phase noise at 10-kHz offset | -143 | -143 | -143 | dBc/Hz |
| Phn _{20k} | Phase noise at 20-kHz offset | -143 | -143 | -143 | dBc/Hz |
| phn _{100k} | Phase noise at 100-kHz offset | -144 | -144 | -144 | dBc/Hz |
| Phn _{200k} | Phase noise at 200-kHz offset | -145 | -145 | -145 | dBc/Hz |
| phn _{1M} | Phase noise at 1-MHz offset | -150 | -150 | -150 | dBc/Hz |
| phn _{2M} | Phase noise at 2-MHz offset | -154 | -154 | -154 | dBc/Hz |
| phn _{10M} | Phase noise at 10-MHz offset | -165 | -162 | -164 | dBc/Hz |
| phn _{20M} | Phase noise at 20-MHz offset | -165 | -162 | -164 | dBc/Hz |

(1) Refer to Parameter Measurement Information for relevant test conditions.

(2) Phase jitter measured with Agilent E5052 signal source analyzer using a differential-to-single ended converter (balun or buffer).

6.17 Typical 161.1328125 MHz Output Phase Noise Characteristics⁽¹⁾⁽²⁾

VDD = 3.3 V, T_A = 25°C, PLL bandwidth = 400 kHz, VCO Frequency = 5.15625 GHz, Fractional-N PLL, Output Divider = 32, Output Type = LVPECL/LVDS/HCSL

| PARAMETER | | OUTPUT TYPE | | | UNIT |
|---------------------|-------------------------------|-------------|------|------|--------|
| | | LVPECL | LVDS | HCSL | |
| phn _{10k} | Phase noise at 10-kHz offset | -136 | -136 | -136 | dBc/Hz |
| phn _{20k} | Phase noise at 20-kHz offset | -136 | -136 | -136 | dBc/Hz |
| phn _{100k} | Phase noise at 100-kHz offset | -140 | -140 | -140 | dBc/Hz |
| phn _{200k} | Phase noise at 200-kHz offset | -141 | -141 | -141 | dBc/Hz |
| phn _{1M} | Phase noise at 1-MHz offset | -148 | -148 | -148 | dBc/Hz |
| phn _{2M} | Phase noise at 2-MHz offset | -156 | -156 | -156 | dBc/Hz |
| phn _{10M} | Phase noise at 10-MHz offset | -161 | -159 | -160 | dBc/Hz |
| phn _{20M} | Phase noise at 20-MHz offset | -162 | -160 | -161 | dBc/Hz |

(1) Refer to Parameter Measurement Information for relevant test conditions.

(2) Phase jitter measured with Agilent E5052 signal source analyzer using a differential-to-single ended converter (balun or buffer).

6.18 Additional Reliability and Qualification

| PARAMETER | CONDITION / TEST METHOD |
|----------------------------|-------------------------|
| Mechanical Shock | MIL-STD-202, Method 213 |
| Mechanical Vibration | MIL-STD-202, Method 204 |
| Moisture Sensitivity Level | J-STD-020, MSL3 |

6.19 Typical Characteristics

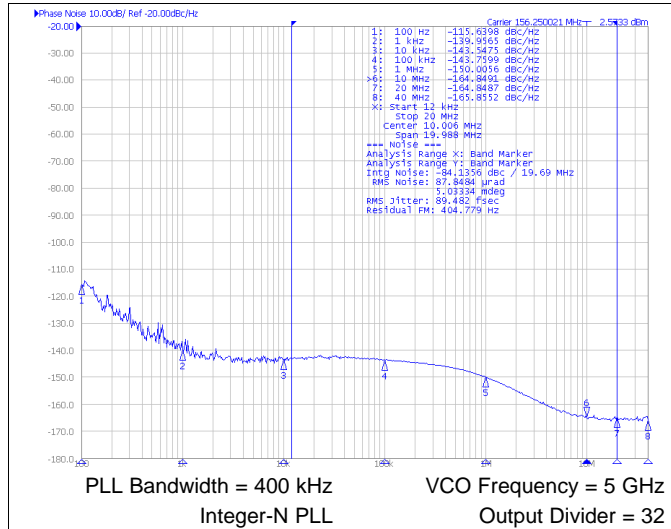


Figure 1. Closed-Loop Phase Noise of LVPECL Differential Output at 156.25 MHz

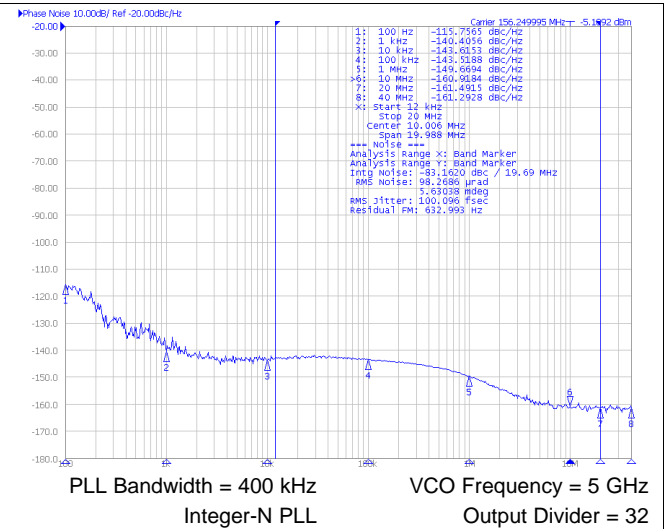


Figure 2. Closed Loop Phase Noise of LVDS Differential Output at 156.25 MHz

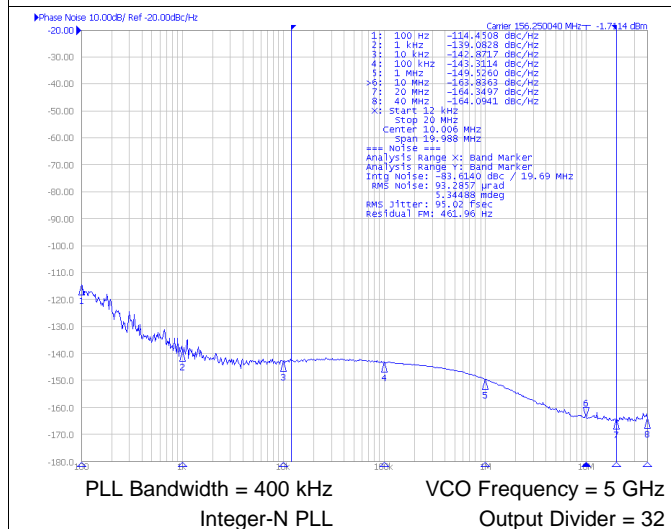


Figure 3. Closed-Loop Phase Noise of HCSL Differential Output at 156.25 MHz

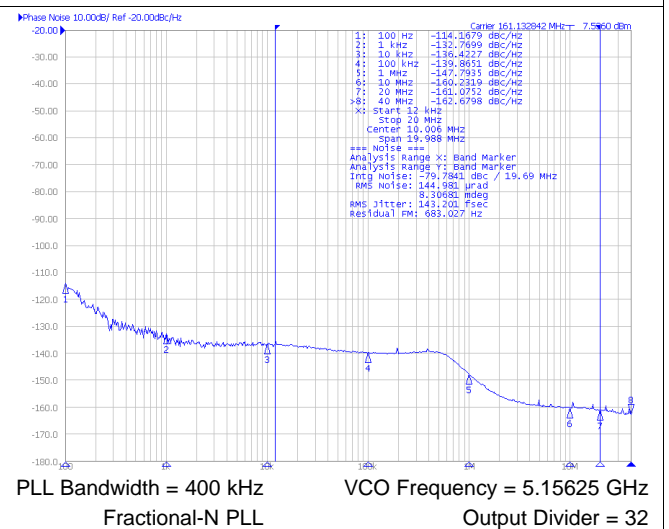
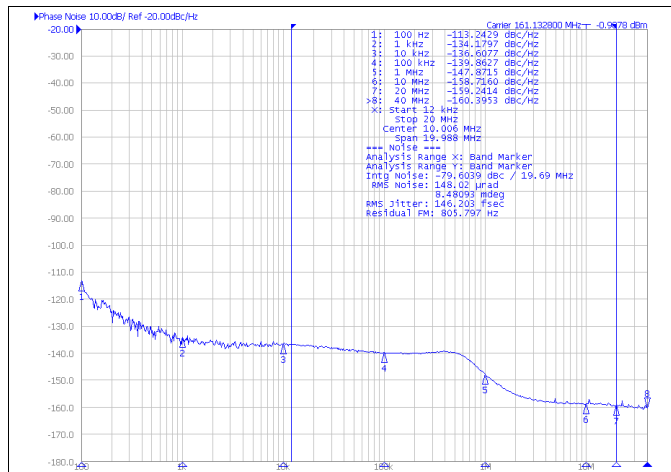


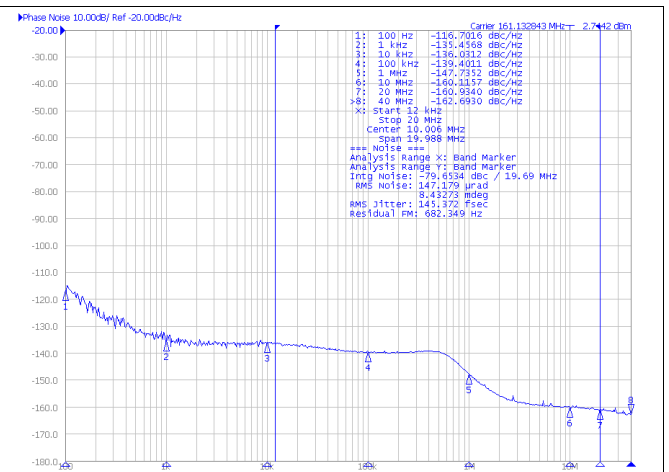
Figure 4. Closed-Loop Phase Noise of LVPECL Differential Output at 161.1328125 MHz

Typical Characteristics (continued)



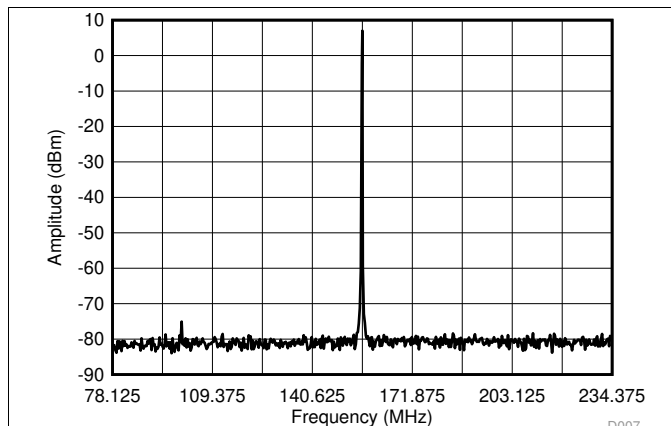
PLL Bandwidth = 400 kHz VCO Frequency = 5.15625 GHz
 Fractional-N PLL Output Divider = 32

Figure 5. Closed Loop Phase Noise of LVDS Differential Output at 161.1328125 MHz



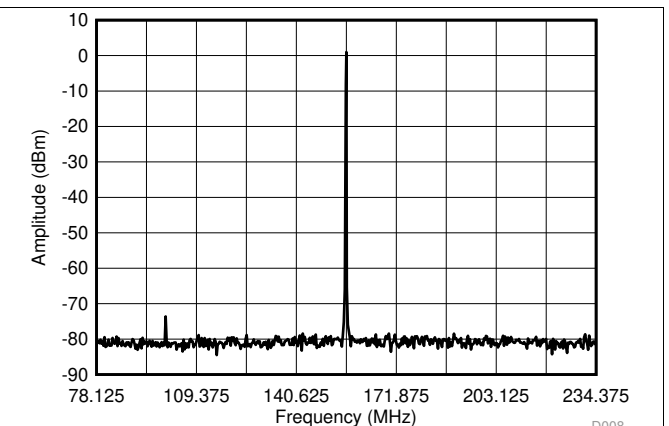
PLL Bandwidth = 400 kHz VCO Frequency = 5.15625 GHz
 Fractional-N PLL Output Divider = 32

Figure 6. Closed-Loop Phase Noise of HCSL Differential Output at 161.1328125 MHz



PLL Bandwidth = 400 kHz VCO Frequency = 5 GHz
 Integer-N PLL Output Divider = 32

Figure 7. 156.25 ± 78.125-MHz LVPECL Differential Output Spectrum



PLL Bandwidth = 400 kHz VCO Frequency = 5 GHz
 Integer-N PLL Output Divider = 32

Figure 8. 156.25 ± 78.125-MHz LVDS Differential Output Spectrum

Typical Characteristics (continued)

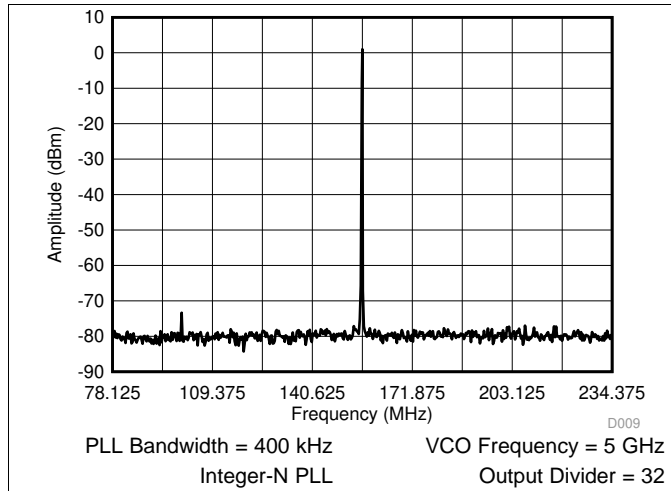


Figure 9. 156.25 ± 78.125-MHz HCSL Differential Output Spectrum

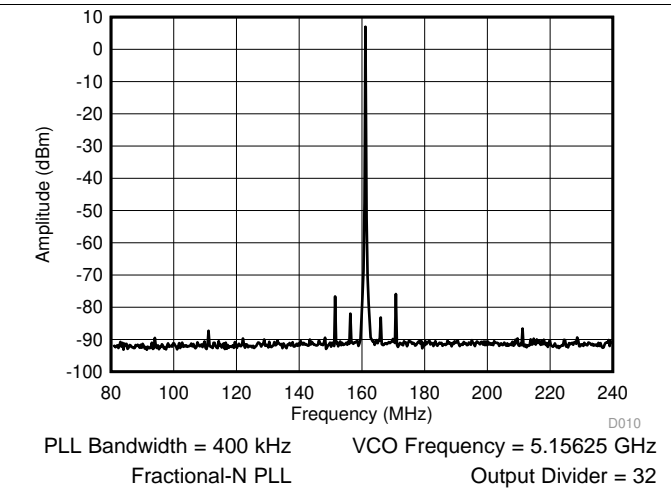


Figure 10. 161.1328125 ± 80.56640625-MHz LVPECL Differential Output Spectrum

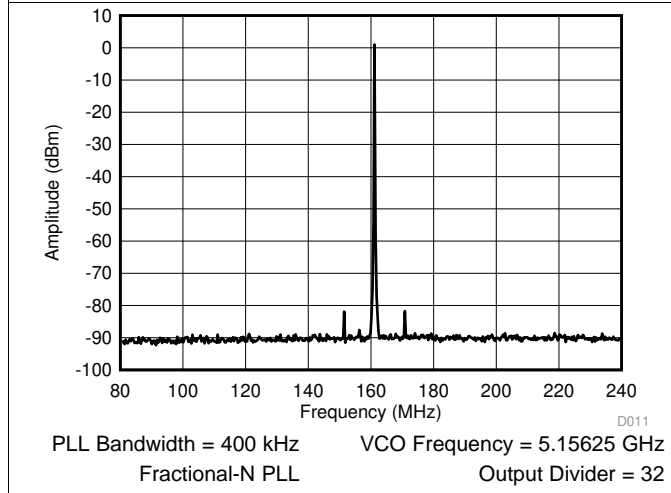


Figure 11. 161.1328125 ± 80.56640625-MHz LVDS Output Spectrum

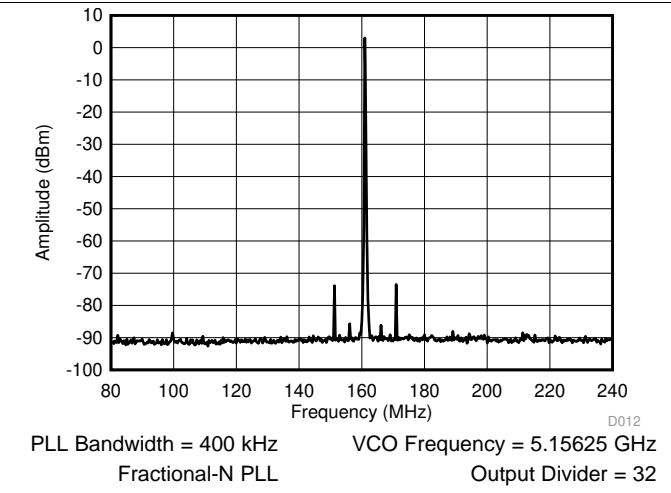


Figure 12. 161.1328125 ± 80.56640625-MHz HCSL Output Spectrum

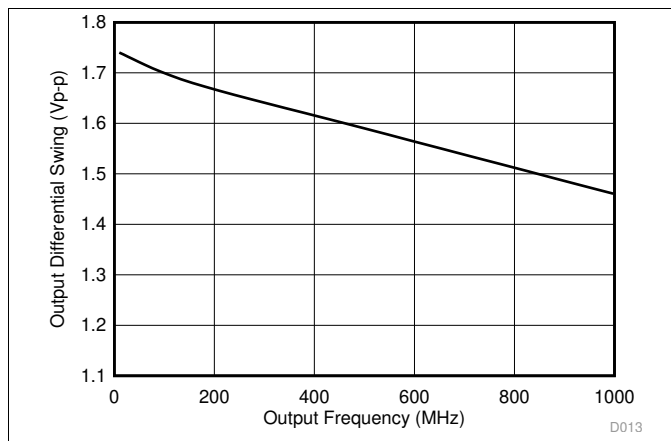


Figure 13. LVPECL Differential Output Swing vs Frequency

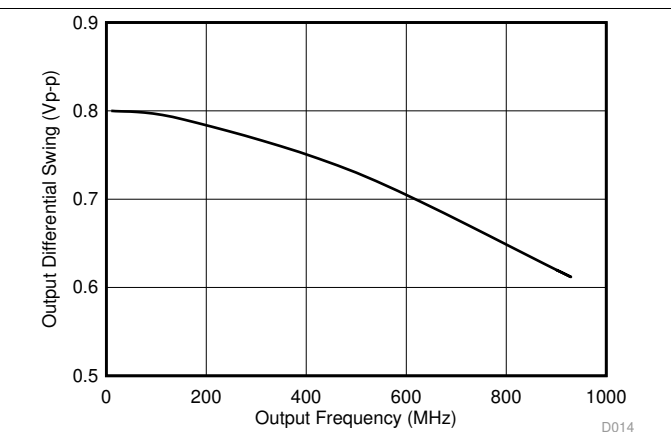


Figure 14. LVDS Differential Output Swing vs Frequency

Typical Characteristics (continued)

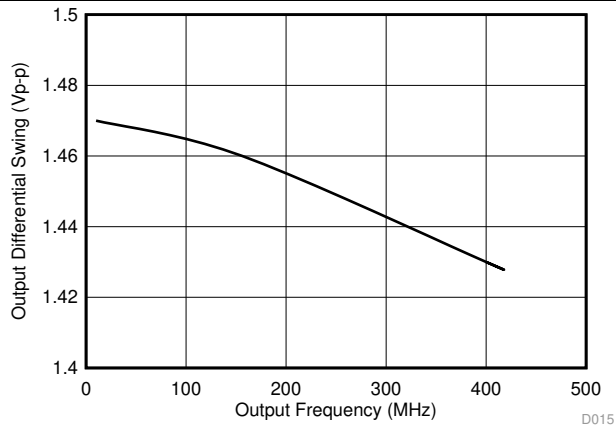
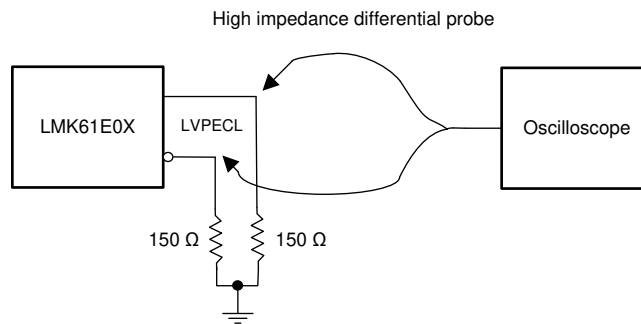


Figure 15. HCSL Differential Output Swing vs Frequency

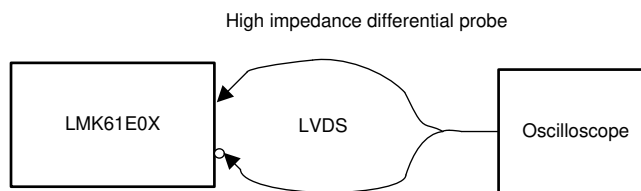
7 Parameter Measurement Information

7.1 Device Output Configurations



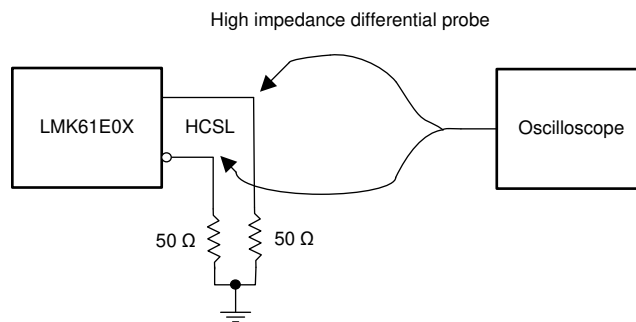
Copyright © 2016, Texas Instruments Incorporated

Figure 16. LVPECL Output DC Configuration During Device Test



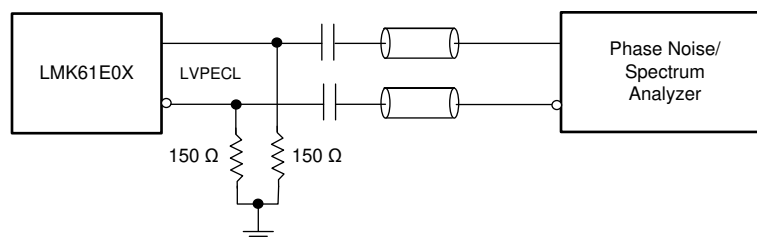
Copyright © 2016, Texas Instruments Incorporated

Figure 17. LVDS Output DC Configuration During Device Test



Copyright © 2016, Texas Instruments Incorporated

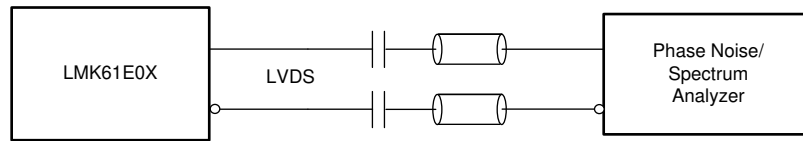
Figure 18. HCSL Output DC Configuration During Device Test



Copyright © 2016, Texas Instruments Incorporated

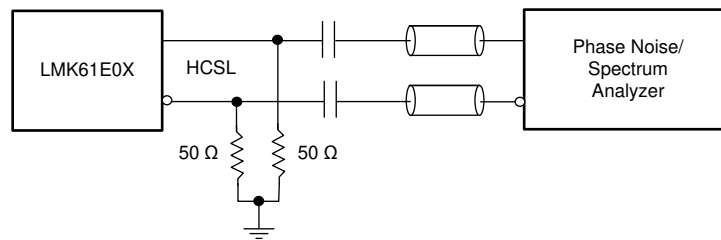
Figure 19. LVPECL Output AC Configuration During Device Test

Device Output Configurations (continued)



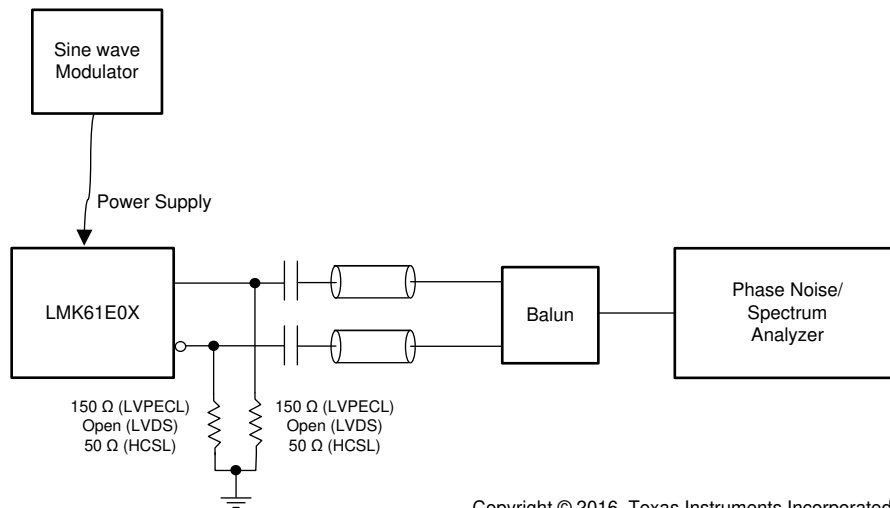
Copyright © 2016, Texas Instruments Incorporated

Figure 20. LVDS Output AC Configuration During Device Test



Copyright © 2016, Texas Instruments Incorporated

Figure 21. HCSL Output AC Configuration During Device Test



Copyright © 2016, Texas Instruments Incorporated

Figure 22. PSRR Test Setup

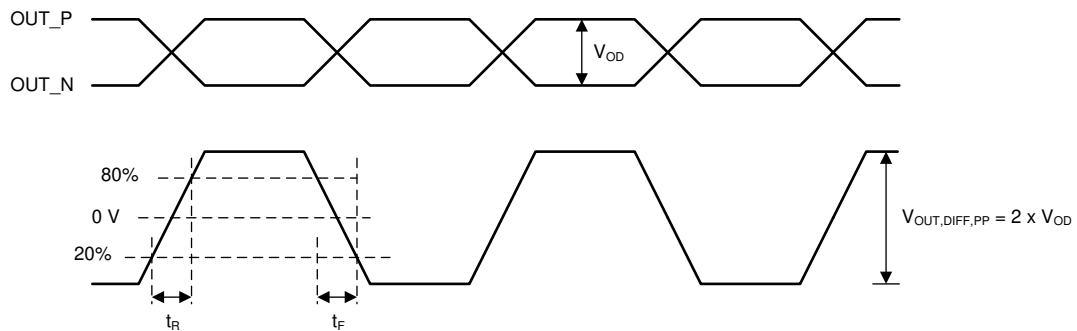


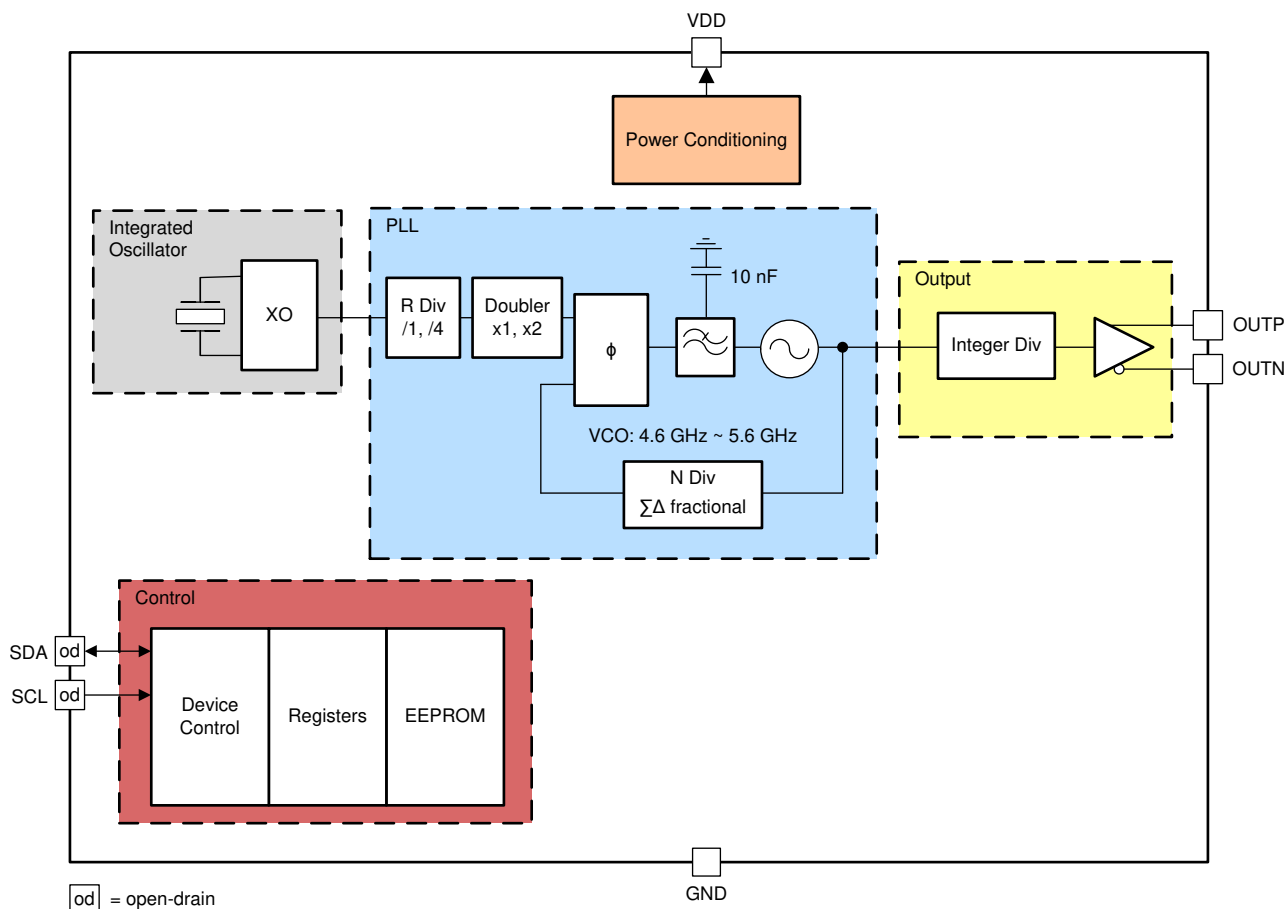
Figure 23. Differential Output Voltage and Rise/Fall Time

8 Detailed Description

8.1 Overview

The LMK61E08 is a programmable oscillator family that generates commonly used reference clocks. LMK61E08 supports differential outputs with less than 200 fs, rms max random jitter in integer PLL mode and less than 300 fs, rms max random jitter in fractional PLL mode.

8.2 Functional Block Diagram



Copyright © 2017, Texas Instruments Incorporated

NOTE

Control blocks are compatible with 1.8-V, 2.5-V, and 3.3-V I/O voltage levels.

8.3 Feature Description

8.3.1 Device Block-Level Description

The LMK61E08 is an integrated oscillator that includes a 50-MHz crystal and a fractional PLL with integrated VCO that supports a frequency range of 4.6 GHz to 5.6 GHz. The PLL block consists of a phase frequency detector (PFD), charge pump, integrated passive loop filter, a feedback divider that can support both integer and fractional values and a delta-sigma engine for noise suppression in fractional PLL mode. Completing the device is the combination of an integer output divider and a differential output buffer. The PLL is powered by on-chip low dropout (LDO) linear voltage regulators and the regulated supply network is partitioned such that the sensitive analog supplies are running from separate LDOs than the digital supplies which use their own LDO. The LDOs provide isolation to the PLL from any noise in the external power supply rail. The device supports fine and coarse frequency margining by changing the settings of the integrated oscillator and the output divider, respectively.

8.3.2 Device Configuration Control

The LMK61E08 supports I²C programming interface where an I²C host can update any device configuration after the device enables the host interface and the host writes a sequence that updates the device registers. Once the device configuration is set, the host can also write to the on-chip EEPROM for a new set of power-up defaults based on the configuration pin settings in the soft pin configuration mode.

8.3.3 Register File Reference Convention

Figure 24 shows the method that this document employs to refer to an individual register bit or a grouping of register bits. If a drawing or text references an individual bit, the format is to specify the register number first and the bit number second. The LMK61E08 contains 38 registers that are 8 bits wide. The register addresses and the bit positions both begin with the number zero (0). The bit address is placed in brackets or after a period. The first bit in the register file is address R0[0] or R0.0 meaning that it is located in Register 0 and is bit position 0. The last bit in the register file is address R72[7] or R72.7, referring to the 8th bit of register address 72 (the 73rd register in the device). Figure 24 also lists specific bit positions as a number contained within a box. A box with the register address encloses the group of boxes that represent the bits relevant to the specific device circuitry in context.

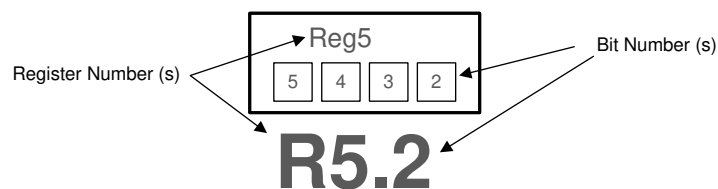


Figure 24. LMK61E08 Register Reference Format

8.3.4 Configuring the PLL

The PLL in LMK61E08 can be configured to accommodate various output frequencies either through I²C programming interface or, in the absence of programming the PLL defaults stored in EEPROM are loaded on power up. The PLL can be configured by setting the Reference Doubler, Integrated PLL Loop Filter, Feedback Divider, and Output Divider. The corresponding register addresses and configurations are detailed in the description section of each block below.

For the PLL to operate in closed-loop mode, the following condition in Equation 1 has to be met.

$$F_{VCO} = F_{REF} \times (D/R) \times [(INT + NUM/DEN)]$$

where

- F_{VCO} : PLL/VCO Frequency (4.6 GHz to 5.6 GHz)
- F_{REF} : 50-MHz reference input
- D: Reference input doubler, 1=Disabled, 2=Enabled
- R: Reference input divider, 1=Divider bypass, 4=Divide-by-4
- INT: PLL feedback divider integer value (12 bits, 1 to 4095)
- NUM: PLL feedback divider fractional numerator value (22 bits, 0 to 4194303)
- DEN: PLL feedback divider fractional denominator value (22 bits, 1 to 4194303)

(1)

Feature Description (continued)

On LMK61E08, the output frequency is related to the VCO frequency as given in [Equation 2](#).

$$F_{OUT} = F_{VCO} / OUTDIV$$

where

- OUTDIV: Output divider value (9 bits, 5 to 511) (2)

The output frequency step size for every bit change in the numerator of the PLL fractional feedback divider is given in [Equation 3](#).

$$STEPSIZE = (F_{REF} \times D) / (R \times OUTDIV \times DEN) \quad (3)$$

8.3.5 Integrated Oscillator

The integrated oscillator in LMK61E08 features programmable load capacitances that can be set for the device to either operate at exactly its nominal oscillation frequency or operate at a fixed frequency offset from its nominal oscillation frequency. This is done by programming R16 and R17. More details on frequency margining are provided in [Fine Frequency Margining](#).

8.3.6 Reference Divider and Doubler

The reference path has a divider and frequency doubler. The reference divider can be bypassed by programming R24[0] = 0 or can be set to divide-by-4 by programming R24[0] = 1. Enabling the divider results in a lower comparison frequency for the PLL and would result in a 6-dB increase in the in-band phase noise at the output of the LMK61E08 but would result in a finer frequency resolution at the output for every bit change in the numerator of fractional feedback divider. The reference doubler can be enabled by programming R34[5] = 1. Bypassing the divider allows for a higher comparison rate and improved in-band phase noise at the output of the LMK61E08. Enabling the doubler allows a higher comparison frequency for the PLL and would result in a 3-dB reduction in the in-band phase noise at the output of the LMK61E08. Enabling the doubler also results in higher reference and phase detector spurs which will be minimized by enabling the higher order components (R3, C3) of the loop filter and programming them to appropriate values. Disabling the doubler would result in a finer frequency resolution at the output for every bit change in the numerator of the fractional feedback divider and higher in-band phase noise on the device output than when the doubler is enabled. However, the reference and phase detector spurs would be lower on the device output than when the doubler is enabled.

8.3.7 Phase Frequency Detector

The Phase Frequency Detector (PFD) of the PLL takes inputs from the reference path and the feedback divider output and produces an output that is dependent on the phase and frequency difference between the two inputs. The input frequency of the PFD is equal to the 50-MHz reference frequency doubled if the reference doubler is enabled and then divided by 4 if the reference divider is enabled. The feedback frequency to the PFD must equal the reference path frequency to the PFD for the PLL to lock.

8.3.8 Feedback Divider (N)

The N divider of the PLL includes fractional compensation and can achieve any fractional denominator (DEN) from 1 to 4,194,303. The integer portion, INT (valid range 1-4095), is the whole part of the N divider value and the fractional portion, NUM / DEN, is the remaining fraction. INT, NUM, and DEN are programmed in R25/R26, R27/R28/R29, and R30/R31/R32, respectively. The total programmed N divider value, N, is determined by: $N = INT + NUM / DEN$. The output of the N divider sets the PFD frequency to the PLL. The feedback frequency to the PFD must equal the reference path frequency to the PFD for the PLL to lock. In DCXO mode, the NUM registers can be reprogrammed MSB first and LSB last to update the output frequency without glitches or spikes.

8.3.9 Fractional Engine

The delta signal modulator is a key component of the fractional engine and is involved in noise shaping for better phase noise and spurs in the band of interest. The order of the delta sigma modulator is selectable between the integer mode and third order for fractional PLL mode, and it can be programmed in R33[1:0]. Dithering can be programmed in R33[3:2] and should be disabled for integer PLL mode and set to weak for fractional PLL mode.

Feature Description (continued)

8.3.10 Charge Pump

The PLL uses either 1.6-mA charge pump slices when the PLL is set to fractional mode, or 6.4-mA slices when the PLL is set to integer mode. These slices can be selected by programming R34[3:0]. When the PLL is set to fractional mode, a phase shift must be introduced to maintain a linear response and ensure consistent performance across operating conditions and a value of 0x2 should be programmed in R35[6:4]. When the PLL is set to integer mode, a value of 0x0 should be programmed in R35[6:4].

8.3.11 Loop Filter

The LMK61E08 features a fully integrated loop filter for the PLL that supports programmable loop bandwidth from 100 kHz to 1 MHz. The loop filter components, R2, C1, R3, and C3, can be configured by programming R36, R37, R38, and R39, respectively. The LMK61E08 features a fixed value of C2 of 10 nF. When the PLL is configured in fractional mode, R35[2] should be set to 1. When the reference doubler is disabled for integer mode PLL, R35[2] should be set to 0 and R38[6:0] should be set to 0x00. When the reference doubler is enabled for integer mode PLL, R35[2] should be set to 1 and R38 and R39 are written with the appropriate values. [Figure 25](#) shows the loop filter structure of the PLL. It is important to set the PLL to the best possible bandwidth to minimize output jitter.

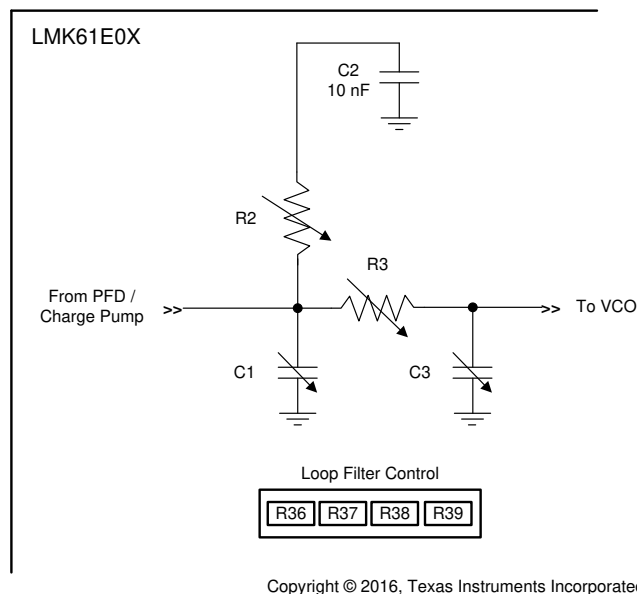


Figure 25. Loop Filter Structure of PLL

8.3.12 VCO Calibration

The PLL in LMK61E08 is made of LC VCO that is designed using high-Q monolithic inductors to oscillate between 4.6 GHz and 5.6 GHz and has low phase noise characteristics. The VCO must be calibrated to ensure that the clock outputs deliver optimal phase noise performance. Fundamentally, a VCO calibration establishes an optimal operating point within the tuning range of the VCO. Setting R72[1] to 1 causes a VCO recalibration and is necessary after device reconfiguration. VCO calibration automatically occurs on device power up.

8.3.13 High-Speed Output Divider

The high-speed output divider supports divide values of 5 to 511 and is programmed in R22 and R23. The output divider also supports coarse frequency margining that can initiate as low as a 5% change in the output frequency.

Feature Description (continued)

8.3.14 High-Speed Clock Output

The clock output on LMK61E08 can be configured as LVPECL, LVDS, or HCSL by programming R21[1:0]. Interfacing to LVPECL, LVDS, or HCSL receivers are done either with direct coupling or with AC-coupling capacitor as shown in [Figure 16](#) through [Figure 21](#).

The LVDS output structure has integrated 125 Ω termination between each side (P and N) of the differential pair. The HCSL output structure is open drain and can be DC or AC coupled to HCSL receivers with appropriate termination scheme. The LVPECL output structure is an emitter follower requiring external termination.

8.3.15 Device Status

The PLL loss of lock and PLL calibration status can be monitored by reading R66[1:0]. These bits represent a logic-high interrupt output and are self-cleared once the readback is complete.

8.3.15.1 Loss of Lock

The PLL loss of lock detection circuit is a digital circuit that detects any frequency error, even a single cycle slip. Loss of lock may occur when an incorrect PLL configuration is programmed or the VCO has not been recalibrated.

8.4 Device Functional Modes

8.4.1 Interface and Control

The host (DSP, Microcontroller, FPGA, and so forth) configures and monitors the LMK61E08 through the I²C port. The host reads and writes to a collection of control and status bits called the register map. The device blocks can be controlled and monitored through a specific grouping of bits located within the register file. The host controls and monitors certain device Wide critical parameters directly through register control and status bits. In the absence of the host, the LMK61E08 can be configured to operate from its on-chip EEPROM. The EEPROM array is automatically copied to the device registers upon power up. The user has the flexibility to rewrite the contents of EEPROM from the SRAM up to 100 times.

Within the device registers, there are certain bits that have read or write access. Other bits are read-only (an attempt to write to a read-only bit will not change the state of the bit). Certain device registers and bits are reserved meaning that they must not be changed from their default reset state. [Figure 26](#) shows interface and control blocks within LMK61E08 and the arrows refer to read access from and write access to the different embedded memories (EEPROM, SRAM).

Device Functional Modes (continued)

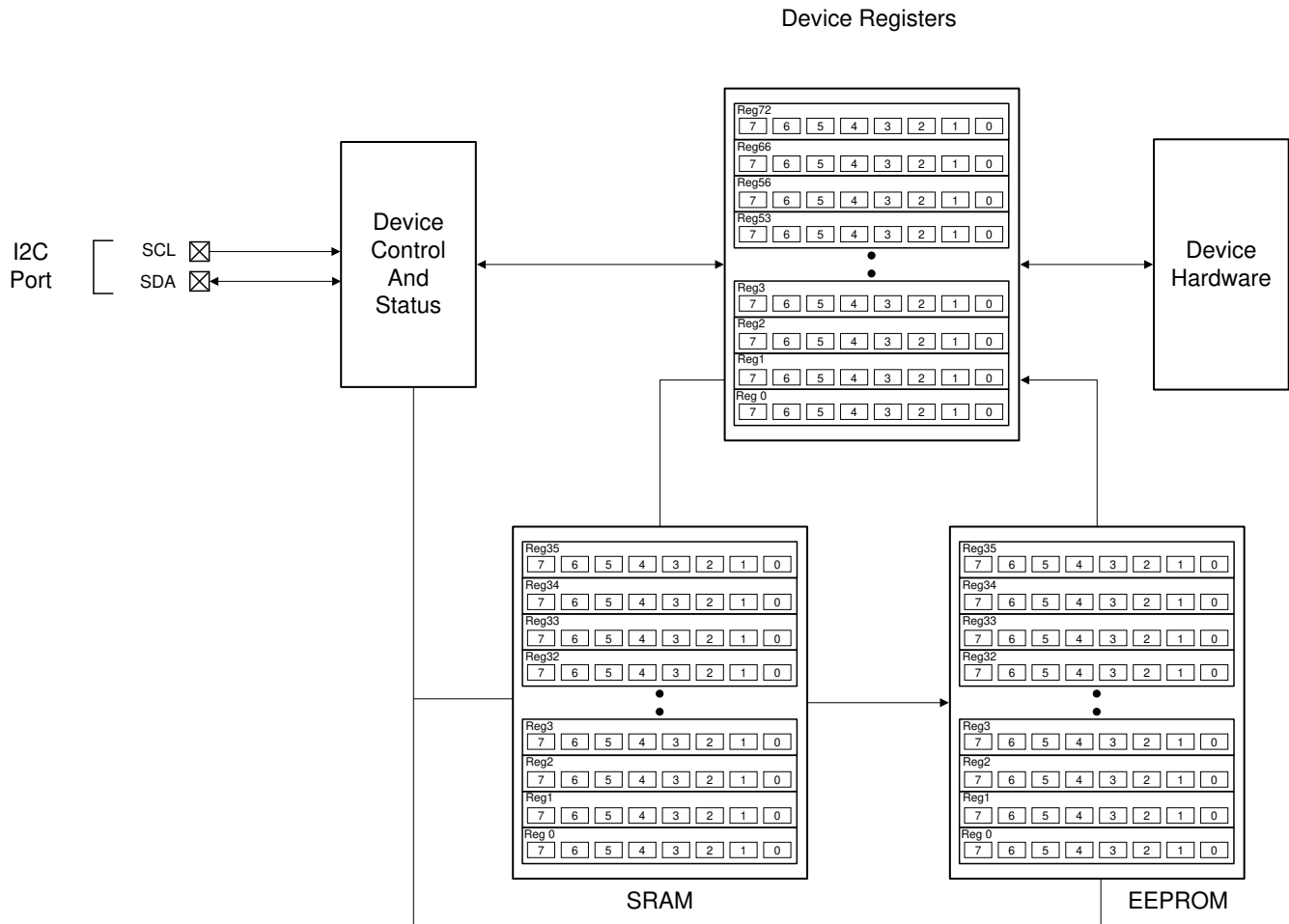


Figure 26. LMK61E08 Interface and Control Block

8.4.2 DCXO Mode and Frequency Margining

8.4.2.1 DCXO Mode

In applications that require the LMK61E08 as part of a PLL that is implemented in another device like an FPGA, it can be used as a digitally-controlled oscillator (DCXO) where the frequency control word can be passed along through I²C to the LMK61E08 on a regular basis, which in turn updates the numerator of its fractional feedback divider by the required amount. In such a scenario, the entire portion of numerator for the fractional feedback divider must be written on every attempt MSB first and LSB last to ensure that the output frequency does not jump during the update, as described in [Feedback Divider \(N\)](#). In every update cycle, a total of 46 bits needs to be updated leading to a maximum update rate of 8.7 kHz with a maximum I²C rate of 1 Mbps. The minimum step size of 0.55 ppb (parts per billion) is achieved for the maximum VCO frequency of 5.6 GHz and when reference input doubler is disabled and reference divider is set to 4. The minimum step size of 4.96 ppb (parts per billion) is achieved for the maximum VCO frequency of 4.8 GHz and when reference input doubler is enabled and reference divider is bypassed.

Device Functional Modes (continued)

8.4.2.2 Fine Frequency Margining

IEEE802.3 dictates that Ethernet frames stay compliant to the standard specifications when clocked with a reference clock that is within ± 100 ppm of its nominal frequency. In the worst case, an RX node with its local reference clock at -100 ppm from its nominal frequency should be able to work seamlessly with a TX node that has its own local reference clock at $+100$ ppm from its nominal frequency. Without any clock compensation on the RX node, the read pointer will severely lag behind the write pointer and cause FIFO overflow errors. On the contrary, when the RX node's local clock operates at $+100$ ppm from its nominal frequency and the TX node's local clock operates at -100 ppm from its nominal frequency, FIFO underflow errors occur without any clock compensation.

To prevent such overflow and underflow errors from occurring, modern ASICs and FPGAs include a clock compensation scheme that introduces elastic buffers. Such a system, shown in Figure 27, is validated thoroughly during the validation phase by interfacing slower nodes with faster ones and ensuring compliance to IEEE802.3. The LMK61E08 provides the ability to fine tune the frequency of its outputs based on changing its load capacitance for the integrated oscillator. This fine tuning can be done through I²C as described in [Integrated Oscillator](#). The change in load capacitance is implemented in a manner such that the output of LMK61E08 undergoes a smooth monotonic change in frequency.

8.4.2.3 Coarse Frequency Margining

Certain systems require the processors to be tested at clock frequencies that are slower or faster by 5% or 10%. The LMK61E08 offers the ability to change its output divider for the desired change from its nominal output frequency as explained in [High-Speed Output Divider](#).

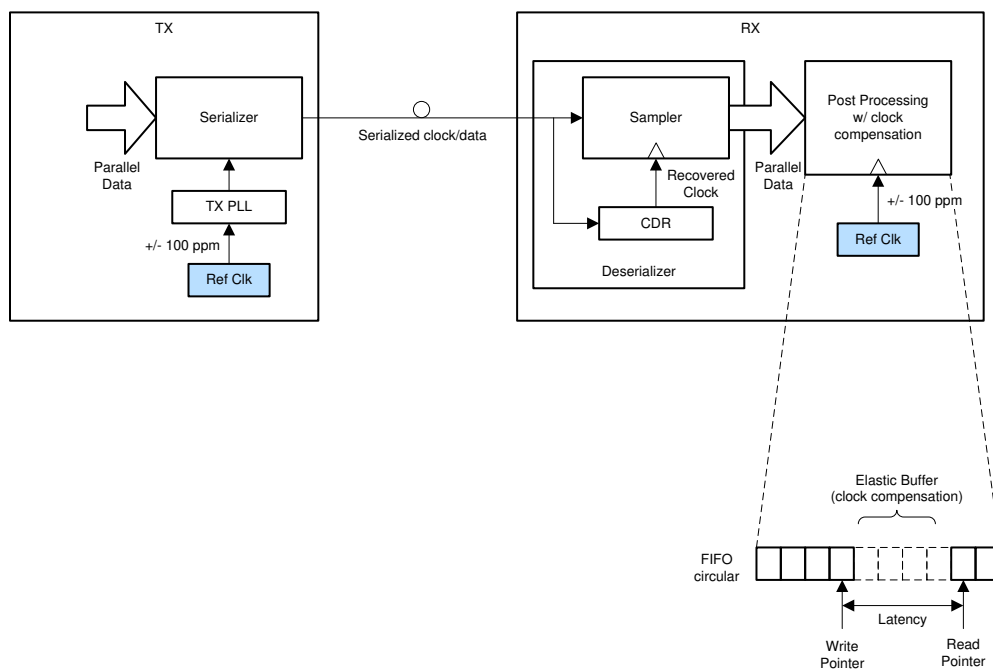


Figure 27. System Implementation With Clock Compensation for Standards Compliance

Programming (continued)

The I²C master initiates the data transfer by asserting a start condition which initiates a response from all slave devices connected to the serial bus. Based on the 8-bit address byte sent by the master over the SDA line (consisting of the 7-bit slave address (MSB first) and an R/W' bit), the device whose address corresponds to the transmitted address responds by sending an acknowledge bit. All other devices on the bus remain idle while the selected device waits for data transfer with the master.

After the data transfer has occurred, stop conditions are established. In write mode, the master asserts a stop condition to end data transfer during the 10th clock pulse following the acknowledge bit for the last data byte from the slave. In read mode, the master receives the last data byte from the slave but does not pull SDA low during the 9th clock pulse. This is known as a non-acknowledge bit. By receiving the non-acknowledge bit, the slave knows the data transfer is finished and enters the idle mode. The master then takes the data line low during the low period before the 10th clock pulse, and high during the 10th clock pulse to assert a stop condition. A generic transaction is shown in [Figure 30](#).

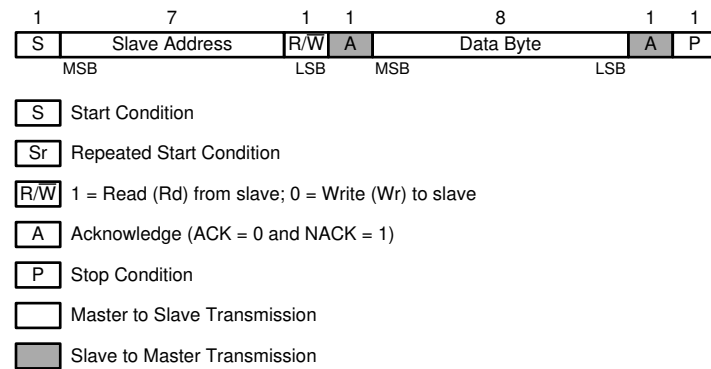


Figure 30. Generic Programming Sequence

The LMK61E08 I²C interface supports *Block Register Write/Read*, *Read/Write SRAM*, and *Read/Write EEPROM* operations. For *Block Register Write/Read* operations, the I²C master can individually access addressed registers that are made of an 8-bit data byte.

8.5.2 Block Register Write

The I²C *Block Register Write* transaction is illustrated in [Figure 31](#) and consists of the following sequence.

1. Master issues a Start Condition.
2. Master writes the 7-bit Slave Address following by a Write bit.
3. Master writes the 8-bit Register address as the CommandCode of the programming sequence.
4. Master writes one or more data bytes each of which should be acknowledged by the slave. The slave increments the internal register address after each byte.
5. Master issues a Stop Condition to terminate the transaction.

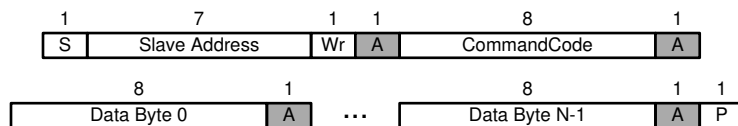


Figure 31. Block Register Write Programming Sequence

8.5.3 Block Register Read

The I²C *Block Register Read* transaction is illustrated in [Figure 32](#) and consists of the following sequence.

1. Master issues a Start Condition.
2. Master writes the 7-bit Slave Address followed by a Write bit.
3. Master writes the 8-bit Register address as the CommandCode of the programming sequence.
4. Master issues a Repeated Start Condition.

Programming (continued)

5. Master writes the 7-bit Slave Address following by a Read bit.
6. Slave returns one or more data bytes as long as the Master continues to acknowledge them. The slave increments the internal register address after each byte.
7. Master issues a Stop Condition to terminate the transaction.

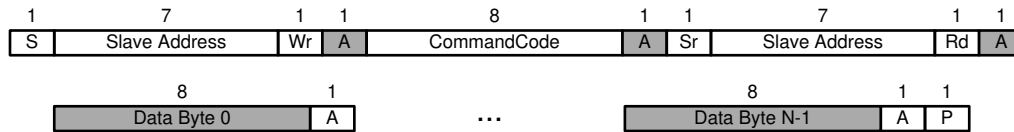


Figure 32. Block Register Read Programming Sequence

8.5.4 Write SRAM

The on-chip SRAM is a volatile, shadow memory array used to temporarily store register data, and is intended only for programming the non-volatile EEPROM. The SRAM has the identical data format as the EEPROM map. The register configuration data can be transferred to the SRAM array through special memory access registers in the register map. To successfully program the SRAM, the complete base array and at least one page should be written. The following details the programming sequence to transfer the device registers into the SRAM.

1. Program the device registers to match a desired setting.
2. Write a 1 to R49[6]. This ensures that the device registers are copied to the SRAM.

The SRAM can also be written with particular values according to the following programming sequence.

1. Write the SRAM address in R51.
2. Write the desired data byte in R53 in the same I²C transaction and this data byte will be written to the address specified in the step above. Any additional access that is part of the same transaction will cause the SRAM address to be incremented and a write will take place to the next SRAM address. Access to SRAM will terminate at the end of current I²C transaction.

NOTE

It is possible to increment SRAM address incorrectly when 2 successive accesses are made to R51.

8.5.5 Write EEPROM

The on-chip EEPROM is a non-volatile memory array used to permanently store register data for a custom device start-up configuration setting to initialize registers upon power up or POR. The EEPROM is comprised of bits shown in the EEPROM Map. The transfer must first happen to the SRAM and then to the EEPROM. During *EEPROM write*, R49[2] is a 1 and the EEPROM contents cannot be accessed. The following details the programming sequence to transfer the entire contents of SRAM to EEPROM.

1. Make sure the *Write SRAM* procedure (Write SRAM) was done to commit the register settings to the SRAM with start-up configurations intended for programming to the EEPROM.
2. Write 0xBE to R56. This provides basic protection from inadvertent programming of EEPROM.
3. Write a 1 to R49[0]. This programs the entire SRAM contents to EEPROM. Once completed, the contents in R48 will increment by 1. R48 contains the total number of EEPROM programming cycles that are successfully completed.
4. Write 0x00 to R56 to protect against inadvertent programming of EEPROM.

8.5.6 Read SRAM

The contents of the SRAM can be read out, one word at a time, starting with that of the requested address. Following details the programming sequence for an SRAM read by address.

1. Write the SRAM address in R51.
2. The SRAM data located at the address specified in the step above can be obtained by reading R53 in the same I²C transaction. Any additional access that is part of the same transaction will cause the SRAM

Programming (continued)

address to be incremented and a read will take place of the next SRAM address. Access to SRAM will terminate at the end of current I²C transaction.

NOTE

It is possible to increment SRAM address incorrectly when 2 successive accesses are made to R51.

8.5.7 Read EEPROM

The contents of the EEPROM can be read out, one word at a time, starting with that of the requested address. Following details the programming sequence for an EEPROM read by address.

1. Write the EEPROM address in R51.
2. The EEPROM data located at the address specified in the step above can be obtained by reading R52 in the same I²C transaction. Any additional access that is part of the same transaction will cause the EEPROM address to be incremented and a read will take place of the next EEPROM address. Access to EEPROM will terminate at the end of current I²C transaction.

NOTE

It is possible to increment EEPROM address incorrectly when 2 successive accesses are made to R51.

8.6 Register Maps

Any bit that is labeled as *RESERVED* should be written with a 0.

Table 1. EEPROM Map

| BYTE NO. | BIT7 | BIT6 | BIT5 | BIT4 | BIT3 | BIT2 | BIT1 | BIT0 |
|----------|------------------|-----------------|---------------|-----------------------|-----------------------|-----------------------|------------------|------------------|
| 0 | RESERVED | RESERVED | RESERVED | RESERVED | RESERVED | RESERVED | RESERVED | RESERVED |
| 1 | RESERVED | RESERVED | RESERVED | RESERVED | RESERVED | RESERVED | RESERVED | RESERVED |
| 2 | RESERVED | RESERVED | RESERVED | RESERVED | RESERVED | RESERVED | RESERVED | RESERVED |
| 3 | RESERVED | RESERVED | RESERVED | RESERVED | RESERVED | RESERVED | RESERVED | RESERVED |
| 4 | NVMSCRC[7] | NVMSCRC[6] | NVMSCRC[5] | NVMSCRC[4] | NVMSCRC[3] | NVMSCRC[2] | NVMSCRC[1] | NVMSCRC[0] |
| 5 | NVMCNT[7] | NVMCNT[6] | NVMCNT[5] | NVMCNT[4] | NVMCNT[3] | NVMCNT[2] | NVMCNT[1] | NVMCNT[0] |
| 6 | 1 | RESERVED | RESERVED | RESERVED | RESERVED | 1 | RESERVED | RESERVED |
| 7 | RESERVED | RESERVED | 1 | RESERVED | RESERVED | RESERVED | RESERVED | 1 |
| 8 | RESERVED | RESERVED | RESERVED | RESERVED | RESERVED | RESERVED | RESERVED | RESERVED |
| 9 | SLAVEADR[7] | SLAVEADR[6] | SLAVEADR[5] | SLAVEADR[4] | SLAVEADR[3] | RESERVED | RESERVED | RESERVED |
| 10 | EEREV[7] | EEREV[6] | EEREV[5] | EEREV[4] | EEREV[3] | EEREV[2] | EEREV[1] | EEREV[0] |
| 11 | RESERVED | PLL_PDN | RESERVED | RESERVED | RESERVED | RESERVED | AUTOSTRT | RESERVED |
| 14 | RESERVED | RESERVED | RESERVED | RESERVED | RESERVED | 1 | RESERVED | 1 |
| 15 | RESERVED | XO_CAPCTRL[1] | XO_CAPCTRL[0] | XO_CAPCTRL[9] | XO_CAPCTRL[8] | XO_CAPCTRL[7] | XO_CAPCTRL[6] | XO_CAPCTRL[5] |
| 16 | XO_CAPCTRL[4] | XO_CAPCTRL[3] | XO_CAPCTRL[2] | RESERVED | RESERVED | RESERVED | RESERVED | RESERVED |
| 19 | RESERVED | RESERVED | RESERVED | RESERVED | RESERVED | RESERVED | RESERVED | RESERVED |
| 20 | RESERVED | RESERVED | RESERVED | RESERVED | RESERVED | RESERVED | RESERVED | RESERVED |
| 21 | RESERVED | RESERVED | RESERVED | RESERVED | RESERVED | RESERVED | RESERVED | PLL_RDIV |
| 22 | PLL_NDIV[11] | PLL_NDIV[10] | PLL_NDIV[9] | PLL_NDIV[8] | PLL_NDIV[7] | PLL_NDIV[6] | PLL_NDIV[5] | PLL_NDIV[4] |
| 23 | PLL_NDIV[3] | PLL_NDIV[2] | PLL_NDIV[1] | PLL_NDIV[0] | PLL_NUM[21] | PLL_NUM[20] | PLL_NUM[19] | PLL_NUM[18] |
| 24 | PLL_NUM[17] | PLL_NUM[16] | PLL_NUM[15] | PLL_NUM[14] | PLL_NUM[13] | PLL_NUM[12] | PLL_NUM[11] | PLL_NUM[10] |
| 25 | PLL_NUM[9] | PLL_NUM[8] | PLL_NUM[7] | PLL_NUM[6] | PLL_NUM[5] | PLL_NUM[4] | PLL_NUM[3] | PLL_NUM[2] |
| 26 | PLL_NUM[1] | PLL_NUM[0] | PLL_DEN[21] | PLL_DEN[20] | PLL_DEN[19] | PLL_DEN[18] | PLL_DEN[17] | PLL_DEN[16] |
| 27 | PLL_DEN[15] | PLL_DEN[14] | PLL_DEN[13] | PLL_DEN[12] | PLL_DEN[11] | PLL_DEN[10] | PLL_DEN[9] | PLL_DEN[8] |
| 28 | PLL_DEN[7] | PLL_DEN[6] | PLL_DEN[5] | PLL_DEN[4] | PLL_DEN[3] | PLL_DEN[2] | PLL_DEN[1] | PLL_DEN[0] |
| 29 | PLL_DTHRMODE[1] | PLL_DTHRMODE[0] | PLL_ORDER[1] | PLL_ORDER[0] | RESERVED | RESERVED | PLL_D | PLL_CP[3] |
| 30 | PLL_CP[2] | PLL_CP[1] | PLL_CP[0] | PLL_CP_PHASE_SHIFT[2] | PLL_CP_PHASE_SHIFT[1] | PLL_CP_PHASE_SHIFT[0] | PLL_ENABLE_C3[2] | PLL_ENABLE_C3[1] |
| 31 | PLL_ENABLE_C3[0] | PLL_LF_R2[7] | PLL_LF_R2[6] | PLL_LF_R2[5] | PLL_LF_R2[4] | PLL_LF_R2[3] | PLL_LF_R2[2] | PLL_LF_R2[1] |

Register Maps (continued)
Table 1. EEPROM Map (continued)

| BYTE NO. | BIT7 | BIT6 | BIT5 | BIT4 | BIT3 | BIT2 | BIT1 | BIT0 |
|----------|--------------|--------------|--------------|--------------|--------------|--------------|--------------|--------------|
| 32 | PLL_LF_R2[0] | PLL_LF_C1[2] | PLL_LF_C1[1] | PLL_LF_C1[0] | PLL_LF_R3[6] | PLL_LF_R3[5] | PLL_LF_R3[4] | PLL_LF_R3[3] |
| 33 | PLL_LF_R3[2] | PLL_LF_R3[1] | PLL_LF_R3[0] | PLL_LF_C3[2] | PLL_LF_C3[1] | PLL_LF_C3[0] | RESERVED | RESERVED |
| 34 | PRE_DIV | OUT_DIV[8] | OUT_DIV[7] | OUT_DIV[6] | OUT_DIV[5] | OUT_DIV[4] | OUT_DIV[3] | OUT_DIV[2] |
| 35 | OUT_DIV[1] | OUT_DIV[0] | RESERVED | RESERVED | RESERVED | RESERVED | RESERVED | RESERVED |

LMK61E08

SNAS805 – JUNE 2020

www.ti.com

The default/reset values for each register is specified for LMK61E08.

Table 2. Register Map

| NAME | ADD R | DEF AUL T | BIT7 | BIT6 | BIT5 | BIT4 | BIT3 | BIT2 | BIT1 | BIT0 |
|-----------------|-------|-----------|----------------|-------------------------|----------------|----------|-------------------|--------------------|----------------|------------|
| VNDRID_BY1 | 0 | 0x10 | VNDRID[15:8] | | | | | | | |
| VNDRID_BY0 | 1 | 0x0B | VNDRID[7:0] | | | | | | | |
| PRODID | 2 | 0x33 | PRODID[7:0] | | | | | | | |
| REVID | 3 | 0x03 | REVID[7:0] | | | | | | | |
| SLAVEADR | 8 | 0xB2 | SLAVEADR[7:1] | | | | | | | RESERVED |
| EEREV | 9 | 0x00 | EEREV[7:0] | | | | | | | |
| DEV_CTL | 10 | 0x01 | RESERVED | PLL_PDN | RESERVED | | | | ENCAL | AUTOSTRT |
| XO_CAPCTRL_BY1 | 16 | 0x00 | RESERVED | | | | | | RESERVED | |
| XO_CAPCTRL_BY0 | 17 | 0x00 | RESERVED | | | | | | | |
| DIFFCTL | 21 | 0x02 | DIFF_OUT_PD | RESERVED | | | | OUT_SEL[1:0] | | |
| OUTDIV_BY1 | 22 | 0x00 | RESERVED | | | | | | | OUT_DIV[8] |
| OUTDIV_BY0 | 23 | 0x4E | OUT_DIV[7:0] | | | | | | | |
| RDIVCMOSCTL | 24 | 0x01 | RESERVED | | | | | | | PLL_RDIV |
| PLL_NDIV_BY1 | 25 | 0x00 | RESERVED | | | | PLL_NDIV[11:8] | | | |
| PLL_NDIV_BY0 | 26 | 0xDC | PLL_NDIV[7:0] | | | | | | | |
| PLL_FRACNUM_BY2 | 27 | 0x1C | RESERVED | | PLL_NUM[21:16] | | | | | |
| PLL_FRACNUM_BY1 | 28 | 0xB3 | PLL_NUM[15:8] | | | | | | | |
| PLL_FRACNUM_BY0 | 29 | 0xE3 | PLL_NUM[7:0] | | | | | | | |
| PLL_FRACDEN_BY2 | 30 | 0x3F | RESERVED | | PLL_DEN[21:16] | | | | | |
| PLL_FRACDEN_BY1 | 31 | 0xFF | PLL_DEN[15:8] | | | | | | | |
| PLL_FRACDEN_BY0 | 32 | 0xFF | PLL_DEN[7:0] | | | | | | | |
| PLL_MASHCTRL | 33 | 0x03 | RESERVED | | | | PLL_DTHRMODE[1:0] | PLL_ORDER[1:0] | | |
| PLL_CTRL0 | 34 | 0x24 | RESERVED | | PLL_D | RESERVED | PLL_CP[3:0] | | | |
| PLL_CTRL1 | 35 | 0x27 | RESERVED | PLL_CP_PHASE_SHIFT[2:0] | | | RESERVED | PLL_ENABLE_C3[2:0] | | |
| PLL_LF_R2 | 36 | 0x24 | PLL_LF_R2[7:0] | | | | | | | |
| PLL_LF_C1 | 37 | 0x02 | RESERVED | | | | | | PLL_LF_C1[2:0] | |
| PLL_LF_R3 | 38 | 0x00 | RESERVED | PLL_LF_R3[6:0] | | | | | | |
| PLL_LF_C3 | 39 | 0x07 | RESERVED | | | | | | PLL_LF_C3[2:0] | |

Table 2. Register Map (continued)

| NAME | ADD R | DEF AUL T | BIT7 | BIT6 | BIT5 | BIT4 | BIT3 | BIT2 | BIT1 | BIT0 | |
|--------------|-------|-----------|--------------|-------------|------------|-------------|-------------------|------------------|-----------|----------|--|
| PLL_CALCT RL | 42 | 0x09 | RESERVED | | | | PLL_CLSDWAIT[1:0] | PLL_VCOWAIT[1:0] | | | |
| NVMSCRC | 47 | 0x00 | NVMSCRC[7:0] | | | | | | | | |
| NVMCNT | 48 | 0x01 | NVMCNT[7:0] | | | | | | | | |
| NVMCTL | 49 | 0x10 | RESERVED | REGCOMM I T | NVMCRCE RR | NVMAUTO CRC | NVMCOMM IT | NVMBU SY | NVMERAS E | NVMPROG | |
| NVMLCRC | 50 | 0x00 | NVMLCRC[7:0] | | | | | | | | |
| MEMADR | 51 | 0x00 | RESERVED | MEMADR[6:0] | | | | | | | |
| NVMDAT | 52 | 0x00 | RESERVED | | | | | | | | |
| RAMDAT | 53 | 0x00 | RESERVED | | | | | | | | |
| NVMUNLK | 56 | 0x00 | NVMUNLK[7:0] | | | | | | | | |
| INT_LIVE | 66 | 0xC8 | RESERVED | | | | | | LOL | CAL | |
| SWRST | 72 | 0x00 | RESERVED | | | | | | SWR2PLL | RESERVED | |

8.6.1 Register Descriptions

8.6.1.1 VNDRID_BY1 Register; R0

VNDRID_BY1 and VNDRID_BY0 registers are used to store the unique 16-bit Vendor Identification number assigned to I²C vendors.

| BIT NO. | FIELD | TYPE | DEFAUL T | EEPROM | DESCRIPTION |
|---------|--------------|------|----------|--------|--------------------------------------|
| [7:0] | VNDRID[15:8] | R | 0x10 | N | Vendor Identification Number Byte 1. |

8.6.1.2 VNDRID_BY0 Register; R1

VNDRID_BY1 and VNDRID_BY0 registers are used to store the unique 16-bit Vendor Identification number assigned to I²C vendors.

| BIT NO. | FIELD | TYPE | DEFAUL T | EEPROM | DESCRIPTION |
|---------|-------------|------|----------|--------|--------------------------------------|
| [7:0] | VNDRID[7:0] | R | 0x0B | N | Vendor Identification Number Byte 0. |

8.6.1.3 PRODID Register; R2

The Product Identification Number is a unique 8-bit identification number used to identify the LMK61E0.

| BIT NO. | FIELD | TYPE | DEFAUL T | EEPROM | DESCRIPTION |
|---------|-------------|------|----------|--------|--------------------------------|
| [7:0] | PRODID[7:0] | R | 0x33 | N | Product Identification Number. |

8.6.1.4 REVID Register; R3

The REVID register is used to identify the LMK61E08 mask revision.

| BIT NO. | FIELD | TYPE | DEFAUL T | EEPROM | DESCRIPTION |
|---------|------------|------|----------|--------|--|
| [7:0] | REVID[7:0] | R | 0x03 | N | Device Revision Number. The Device Revision Number is used to identify the LMK61E08 mask-set revision used to fabricate this device. |

8.6.1.5 SLAVEADR Register; R8

The SLAVEADR register reflects the 7-bit I²C Slave Address value initialized from from on-chip EEPROM.

| BIT NO. | FIELD | TYPE | DEFAULT | EEPROM | DESCRIPTION |
|---------|---------------|------|---------|--------|---|
| [7:1] | SLAVEADR[7:1] | R | 0x59 | Y | I ² C Slave Address. This field holds the 7-bit Slave Address used to identify this device during I ² C transactions. |
| [0] | RESERVED | - | - | N | Reserved. |

8.6.1.6 EEREV Register; R9

The EEREV register provides an EEPROM image revision record. EEPROM Image Revision is automatically retrieved from EEPROM and stored in the EEREV register after a reset or after a EEPROM commit operation.

| BIT NO. | FIELD | TYPE | DEFAULT | EEPROM | DESCRIPTION |
|---------|------------|------|---------|--------|--------------------------|
| [7:0] | EEREV[7:0] | R | 0x00 | Y | EEPROM Image Revision ID |

8.6.1.7 DEV_CTL Register; R10

The DEV_CTL register holds the control functions described in the following table.

| BIT NO. | FIELD | TYPE | DEFAULT | EEPROM | DESCRIPTION | | | | | | |
|---------|---------------|------|---------|--------|---|---------|-------|---|-------------|---|--------------|
| [7] | RESERVED | - | 0 | Y | Reserved. | | | | | | |
| [6] | PLL_PDN | RW | 0 | Y | PLL Powerdown. The PLL_PDN bit determines whether PLL is automatically enabled and calibrated after a hardware reset. If the PLL_PDN bit is set to 1 during normal operation then PLL is disabled and the calibration circuit is reset. When PLL_PDN is then cleared to 0 PLL is re-enabled and the calibration sequence is automatically restarted. <table border="1" data-bbox="922 1129 1464 1234"> <thead> <tr> <th>PLL_PDN</th> <th>Value</th> </tr> </thead> <tbody> <tr> <td>0</td> <td>PLL Enabled</td> </tr> <tr> <td>1</td> <td>PLL Disabled</td> </tr> </tbody> </table> | PLL_PDN | Value | 0 | PLL Enabled | 1 | PLL Disabled |
| PLL_PDN | Value | | | | | | | | | | |
| 0 | PLL Enabled | | | | | | | | | | |
| 1 | PLL Disabled | | | | | | | | | | |
| [5] | CMOS_SEL | RW | 0 | Y | Set to 0 for LMK61E08. | | | | | | |
| [4:2] | RESERVED[5:2] | RW | 0 | Y | Reserved. | | | | | | |
| [1] | ENCAL | RWSC | 0 | N | Enable Frequency Calibration. Triggers PLL/VCO calibration on both PLLs in parallel on 0 → 1 transition of ENCAL. This bit is self-clearing and set to a 0 after PLL/VCO calibration is complete. In powerup or software rest mode, AUTOSTRT takes precedence. | | | | | | |
| [0] | AUTOSTRT | RW | 1 | Y | Autostart. If AUTOSTRT is set to 1 the device will automatically attempt to achieve lock and enable outputs after a device reset. A device reset can be triggered by the power-on-reset, RESETn pin or by writing to the RESETN_SW bit. If AUTOSTRT is 0 then the device will halt after the configuration phase, a subsequent write to set the AUTOSTRT bit to 1 will trigger the PLL Lock sequence. | | | | | | |

8.6.1.8 XO_CAPCTRL_BY1 Register; R16

XO Margining Offset Value bits[9:8]

| BIT NO. | FIELD | TYPE | DEFAULT | EEPROM | DESCRIPTION |
|---------|------------------|------|---------|--------|-------------|
| [7:2] | RESERVED[5:0] | - | - | N | Reserved. |
| [1:0] | XO_CAPCTRL [1:0] | - | - | Y | Reserved. |

8.6.1.9 XO_CAPCTRL_BY0 Register; R17

XO Margining Offset Value bits[7:0]

| BIT NO. | FIELD | TYPE | DEFAULT | EEPROM | DESCRIPTION |
|---------|------------------|------|---------|--------|-------------|
| [7:0] | XO_CAPCTRL [9:2] | - | - | Y | Reserved. |

8.6.1.10 DIFFCTL Register; R21

The DIFFCTL register provides control over Output for LMK61E08.

| Bit # | Field | Type | DEFAULT | EEPROM | Description | | | | | | | | | | |
|---------|------------------|------|---------|--------|--|---------|------------------|---------|-----------|---------|--------|---------|------|---------|------|
| [7] | DIFF_OUT_PD | RW | 0 | N | Power down differential output buffer in LMK61E08. | | | | | | | | | | |
| [6:2] | RESERVED | - | - | N | Reserved. | | | | | | | | | | |
| [1:0] | OUT_SEL[1:0] | RW | 0x2 | Y | Channel Output Driver Select in LMK61E08. The OUT_SEL field controls the Channel Output Driver as shown below. | | | | | | | | | | |
| | | | | | <table border="1"> <thead> <tr> <th>OUT_SEL</th> <th>OUTPUT OPERATION</th> </tr> </thead> <tbody> <tr> <td>0 (0x0)</td> <td>Tri-State</td> </tr> <tr> <td>1 (0x1)</td> <td>LVPECL</td> </tr> <tr> <td>2 (0x2)</td> <td>LVDS</td> </tr> <tr> <td>3 (0x3)</td> <td>HCSL</td> </tr> </tbody> </table> | OUT_SEL | OUTPUT OPERATION | 0 (0x0) | Tri-State | 1 (0x1) | LVPECL | 2 (0x2) | LVDS | 3 (0x3) | HCSL |
| OUT_SEL | OUTPUT OPERATION | | | | | | | | | | | | | | |
| 0 (0x0) | Tri-State | | | | | | | | | | | | | | |
| 1 (0x1) | LVPECL | | | | | | | | | | | | | | |
| 2 (0x2) | LVDS | | | | | | | | | | | | | | |
| 3 (0x3) | HCSL | | | | | | | | | | | | | | |

8.6.1.11 OUTDIV_BY1 Register; R22

The 9-bit output integer divider value is set by the OUTDIV_BY1 and OUTDIV_BY0 registers.

| BIT NO. | FIELD | TYPE | DEFAULT | EEPROM | DESCRIPTION | | | | | | | | | | | | |
|-------------|--------------|------|---------|--------|---|---------|--------------|-----|----------|-----------|---|-----------|---|-----|-----|-------------|-----|
| [7:1] | RESERVED | - | - | Y | Reserved. | | | | | | | | | | | | |
| [0] | OUT_DIV[8] | RW | 0 | Y | Channel's Output Divider Byte 1 (Bit 8). The Channel Divider, OUT_DIV, is a 9-bit divider. The valid register values range from 5-511. | | | | | | | | | | | | |
| | | | | | <table border="1"> <thead> <tr> <th>OUT_DIV</th> <th>DIVIDE RATIO</th> </tr> </thead> <tbody> <tr> <td>0-4</td> <td>RESERVED</td> </tr> <tr> <td>5 (0x006)</td> <td>5</td> </tr> <tr> <td>6 (0x007)</td> <td>6</td> </tr> <tr> <td>...</td> <td>...</td> </tr> <tr> <td>511 (0x1FF)</td> <td>511</td> </tr> </tbody> </table> | OUT_DIV | DIVIDE RATIO | 0-4 | RESERVED | 5 (0x006) | 5 | 6 (0x007) | 6 | ... | ... | 511 (0x1FF) | 511 |
| OUT_DIV | DIVIDE RATIO | | | | | | | | | | | | | | | | |
| 0-4 | RESERVED | | | | | | | | | | | | | | | | |
| 5 (0x006) | 5 | | | | | | | | | | | | | | | | |
| 6 (0x007) | 6 | | | | | | | | | | | | | | | | |
| ... | ... | | | | | | | | | | | | | | | | |
| 511 (0x1FF) | 511 | | | | | | | | | | | | | | | | |

8.6.1.12 OUTDIV_BY0 Register; R23

The 9-bit output integer divider value is set by the OUTDIV_BY1 and OUTDIV_BY0 registers.

| BIT NO. | FIELD | TYPE | DEFAULT | EEPROM | DESCRIPTION |
|---------|--------------|------|---------|--------|---|
| [7:0] | OUT_DIV[7:0] | RW | 0x4E | Y | Channel's Output Divider Byte 0 (Bits 7-0). |

8.6.1.13 RDIVCMOSCTL Register; R24

Sets R divider for LMK61E08.

| BIT NO. | FIELD | TYPE | DEFAULT | EEPROM | DESCRIPTION |
|---------|----------|------|---------|--------|-------------|
| [7:1] | RESERVED | - | - | N | Reserved. |

| BIT NO. | FIELD | TYPE | DEFAULT | EEPROM | DESCRIPTION |
|---------|----------|------|---------|--------|---|
| [0] | PLL_RDIV | RW | 1 | Y | On LMK61E08, R divider is set to divide-by-4 when set to 1 and R divider is bypassed when set to 0. |

8.6.1.14 PLL_NDIV_BY1 Register; R25

The 12-bit N integer divider value for PLL is set by the PLL_NDIV_BY1 and PLL_NDIV_BY0 registers.

| BIT NO. | FIELD | TYPE | DEFAULT | EEPROM | DESCRIPTION |
|---------|----------------|------|---------|--------|--|
| [7:4] | RESERVED | - | - | N | Reserved. |
| [3:0] | PLL_NDIV[11:8] | RW | 0x0 | Y | PLL N Divider Byte 1. PLL Integer N Divider bits [11:8]. |

8.6.1.15 PLL_NDIV_BY0 Register; R26

The PLL_NDIV_BY0 register is described in the following table.

| BIT NO. | FIELD | TYPE | DEFAULT | EEPROM | DESCRIPTION |
|---------|---------------|------|---------|--------|---|
| [7:0] | PLL_NDIV[7:0] | RW | 0xDC | Y | PLL N Divider Byte 0. PLL Integer N Divider bits [7:0]. |

8.6.1.16 PLL_FRACNUM_BY2 Register; R27

The 22-bit Fractional Divider Numerator value for PLL is set by registers PLL_FRACNUM_BY2, PLL_FRACNUM_BY1 and PLL_FRACNUM_BY0.

| BIT NO. | FIELD | TYPE | DEFAULT | EEPROM | DESCRIPTION |
|---------|----------------|------|---------|--------|---|
| [7:6] | RESERVED | - | - | N | Reserved. |
| [5:0] | PLL_NUM[21:16] | RW | 0x1C | Y | PLL Fractional Divider Numerator Byte 2. Bits [21:16] |

8.6.1.17 PLL_FRACNUM_BY1 Register; R28

The PLL_FRACNUM_BY1 register is described in the following table.

| BIT NO. | FIELD | TYPE | DEFAULT | EEPROM | DESCRIPTION |
|---------|---------------|------|---------|--------|---|
| [7:0] | PLL_NUM[15:8] | RW | 0xB3 | Y | PLL Fractional Divider Numerator Byte 1. Bits [15:8]. |

8.6.1.18 PLL_FRACNUM_BY0 Register; R29

The PLL_FRACNUM_BY0 register is described in the following table.

| BIT NO. | FIELD | TYPE | DEFAULT | EEPROM | DESCRIPTION |
|---------|--------------|------|---------|--------|---|
| [7:0] | PLL_NUM[7:0] | RW | 0xE3 | Y | PLL Fractional Divider Numerator Byte 0. Bits [7:0]. When using DCXO mode, the fractional numerator bits in R27, R28, and R29 should be written in that order (MSB first and LSB last) to avoid intermediate frequency jumps. |

8.6.1.19 PLL_FRACDEN_BY2 Register; R30

The 22-bit Fractional Divider Denominator value for PLL is set by registers PLL_FRACDEN_BY2, PLL_FRACDEN_BY1 and PLL_FRACDEN_BY0.

| BIT NO. | FIELD | TYPE | DEFAULT | EEPROM | DESCRIPTION |
|---------|----------------|------|---------|--------|--|
| [7:6] | RESERVED | - | - | N | Reserved. |
| [5:0] | PLL_DEN[21:16] | RW | 0x3F | Y | PLL Fractional Divider Denominator Byte 2. Bits [21:16]. |

8.6.1.20 PLL_FRACDEN_BY1 Register; R31

The PLL_FRACDEN_BY1 register is described in the following table.

| BIT NO. | FIELD | TYPE | DEFAULT | EEPROM | DESCRIPTION |
|---------|---------------|------|---------|--------|---|
| [7:0] | PLL_DEN[15:8] | RW | 0xFF | Y | PLL Fractional Divider Denominator Byte 1. Bits [15:8]. |

8.6.1.21 PLL_FRACDEN_BY0 Register; R32

The PLL_FRACDEN_BY0 register is described in the following table.

| BIT NO. | FIELD | TYPE | DEFAULT | EEPROM | DESCRIPTION |
|---------|--------------|------|---------|--------|--|
| [7:0] | PLL_DEN[7:0] | RW | 0xFF | Y | PLL Fractional Divider Denominator Byte 0. Bits [7:0]. |

8.6.1.22 PLL_MASHCTRL Register; R33

The PLL_MASHCTRL register provides control of the fractional divider for PLL.

| BIT NO. | FIELD | TYPE | DEFAULT | EEPROM | DESCRIPTION | | | | | | | | | | |
|------------|----------------------|------|---------|--------|---|------------|----------------------|---------|----------------------|---------|----------|---------|----------|---------|-----------------|
| [7:4] | RESERVED | - | - | N | Reserved. | | | | | | | | | | |
| [3:2] | PLL_DTHRMODE[1:0] | RW | 0x0 | Y | Mash Engine dither mode control. <table border="1" data-bbox="906 877 1466 1052"> <thead> <tr> <th>DITHERMODE</th> <th>Dither Configuration</th> </tr> </thead> <tbody> <tr> <td>0 (0x0)</td> <td>Weak</td> </tr> <tr> <td>1 (0x1)</td> <td>Reserved</td> </tr> <tr> <td>2 (0x2)</td> <td>Reserved</td> </tr> <tr> <td>3 (0x3)</td> <td>Dither Disabled</td> </tr> </tbody> </table> | DITHERMODE | Dither Configuration | 0 (0x0) | Weak | 1 (0x1) | Reserved | 2 (0x2) | Reserved | 3 (0x3) | Dither Disabled |
| DITHERMODE | Dither Configuration | | | | | | | | | | | | | | |
| 0 (0x0) | Weak | | | | | | | | | | | | | | |
| 1 (0x1) | Reserved | | | | | | | | | | | | | | |
| 2 (0x2) | Reserved | | | | | | | | | | | | | | |
| 3 (0x3) | Dither Disabled | | | | | | | | | | | | | | |
| [1:0] | PLL_ORDER[1:0] | RW | 0x3 | Y | Mash Engine Order. <table border="1" data-bbox="906 1094 1466 1262"> <thead> <tr> <th>ORDER</th> <th>Order Configuration</th> </tr> </thead> <tbody> <tr> <td>0 (0x0)</td> <td>Integer Mode Divider</td> </tr> <tr> <td>1 (0x1)</td> <td>Reserved</td> </tr> <tr> <td>2 (0x2)</td> <td>Reserved</td> </tr> <tr> <td>3 (0x3)</td> <td>3rd order</td> </tr> </tbody> </table> | ORDER | Order Configuration | 0 (0x0) | Integer Mode Divider | 1 (0x1) | Reserved | 2 (0x2) | Reserved | 3 (0x3) | 3rd order |
| ORDER | Order Configuration | | | | | | | | | | | | | | |
| 0 (0x0) | Integer Mode Divider | | | | | | | | | | | | | | |
| 1 (0x1) | Reserved | | | | | | | | | | | | | | |
| 2 (0x2) | Reserved | | | | | | | | | | | | | | |
| 3 (0x3) | 3rd order | | | | | | | | | | | | | | |

8.6.1.23 PLL_CTRL0 Register; R34

The PLL_CTRL1 register provides control of PLL. The PLL_CTRL1 register fields are described in the following table.

| BIT NO. | FIELD | TYPE | DEFAULT | EEPROM | DESCRIPTION | | | | | | |
|-------------|-------------------------|------|---------|--------|--|-------------|-------------------------|---------|--------|---------|--------|
| [7:6] | RESERVED | RW | 0x0 | Y | Reserved. | | | | | | |
| [5] | PLL_D | RW | 1 | Y | PLL R Divider Frequency Doubler Enable. If PLL_D is 1 the R Divider Frequency Doubler is enabled. | | | | | | |
| [4] | RESERVED | - | - | N | Reserved. | | | | | | |
| [3:0] | PLL_CP[3:0] | RW | 0x4 | Y | PLL Charge Pump Current. Other combinations of PLL_CP[3:0] not in table below are reserved and not supported. <table border="1" data-bbox="906 1703 1466 1795"> <thead> <tr> <th>PLL_CP[3:0]</th> <th>PLL Charge Pump Current</th> </tr> </thead> <tbody> <tr> <td>4 (0x4)</td> <td>1.6 mA</td> </tr> <tr> <td>8 (0x8)</td> <td>6.4 mA</td> </tr> </tbody> </table> | PLL_CP[3:0] | PLL Charge Pump Current | 4 (0x4) | 1.6 mA | 8 (0x8) | 6.4 mA |
| PLL_CP[3:0] | PLL Charge Pump Current | | | | | | | | | | |
| 4 (0x4) | 1.6 mA | | | | | | | | | | |
| 8 (0x8) | 6.4 mA | | | | | | | | | | |

8.6.1.24 PLL_CTRL1 Register; R35

The PLL_CTRL3 register provides control of PLL. The PLL_CTRL3 register fields are described in the following table.

| BIT NO. | FIELD | TYPE | DEFAULT | EEPROM | DESCRIPTION | |
|---------|---|------|---------|--------|---|---|
| [7] | RESERVED | - | - | N | Reserved. | |
| [6:4] | PLL_CP_PHASE_SHIFT[2:0] | RW | 0x2 | Y | Program Charge Pump Phase Shift. | |
| | | | | | PLL_CP_PHASE_SHIFT[2:0] | Phase Shift |
| | | | | | 0 (0x0) | No delay |
| | | | | | 1 (0x1) | 1.3 ns for 100 MHz f_{PD} |
| | | | | | 2 (0x2) | 1 ns for 100 MHz f_{PD} |
| | | | | | 3 (0x3) | 0.9 ns for 100 MHz f_{PD} |
| | | | | | 4 (0x4) | 1.3 ns for 50 MHz f_{PD} |
| | | | | | 5 (0x5) | 1 ns for 50 MHz f_{PD} |
| 6 (0x6) | 0.9 ns for 50 MHz f_{PD} | | | | | |
| 7 (0x7) | 0.7 ns for 50 MHz f_{PD} | | | | | |
| [3] | RESERVED | - | - | N | Reserved. | |
| [2] | PLL_ENABLE_C3 | RW | 0x1 | Y | Disable third order capacitor in the low pass filter. | |
| | | | | | PLL_ENABLE_C3 | MODE |
| | | | | | 0 | 2nd order loop filter recommended setting |
| 1 | Enables C3, 3rd order loop filter enabled | | | | | |
| [1:0] | RESERVED | - | 0x3 | Y | Reserved. | |

8.6.1.25 PLL_LF_R2 Register; R36

The PLL_LF_R2 register controls the value of the PLL Loop Filter R2.

| BIT NO. | FIELD | TYPE | DEFAULT | EEPROM | DESCRIPTION | |
|---------|----------------|------|---------|--------|--|---------------------------------|
| [7:0] | PLL_LF_R2[7:0] | RW | 0x24 | Y | PLL Loop Filter R2. NOTE: Table below lists commonly used R2 values but more selections are available. | |
| | | | | | PLL_LF_R2[7:0] | R2 (Ω) |
| | | | | | 1 (0x01) | 200 |
| | | | | | 4 (0x04) | 500 |
| | | | | | 8 (0x08) | 700 |
| | | | | | 32 (0x20) | 1600 |
| | | | | | 48 (0x30) | 2400 |
| | | | | | 64 (0x40) | 3200 |

8.6.1.26 PLL_LF_C1 Register; R37

The PLL_LF_C1 register controls the value of the PLL Loop Filter C1.

| BIT NO. | FIELD | TYPE | DEFAULT | EEPROM | DESCRIPTION |
|---------|----------------|------|---------|--------|--|
| [7:3] | RESERVED | - | - | N | Reserved. |
| [2:0] | PLL_LF_C1[2:0] | RW | 0x2 | Y | PLL Loop Filter C1. The value in pF is given by $5 + 50 * PLL_LF_C1$ (in decimal). |

8.6.1.27 PLL_LF_R3 Register; R38

The PLL_LF_R3 register controls the value of the PLL Loop Filter R3.

| BIT NO. | FIELD | TYPE | DEFAULT | EEPROM | DESCRIPTION |
|---------|-----------------------|------|---------|--------|--|
| [7] | RESERVED | - | - | N | Reserved. |
| [6:0] | PLL_LF_R3[6:0] | RW | 0x00 | Y | PLL Loop Filter R3. NOTE: Table below lists commonly used R3 values but more selections are available. |
| | PLL_LF_R3[6:0] | | | | R3 (Ω) |
| | 0 (0x00) | | | | 18 |
| | 3 (0x03) | | | | 205 |
| | 8 (0x08) | | | | 854 |
| | 9 (0x09) | | | | 1136 |
| | 12 (0x0C) | | | | 1535 |
| | 17 (0x11) | | | | 1936 |
| | 20 (0x14) | | | | 2335 |

8.6.1.28 PLL_LF_C3 Register; R39

The PLL_LF_C3 register controls the value of the PLL Loop Filter C3.

| BIT NO. | FIELD | TYPE | DEFAULT | EEPROM | DESCRIPTION |
|---------|----------------|------|---------|--------|---|
| [7:3] | RESERVED | - | - | N | Reserved. |
| [2:0] | PLL_LF_C3[2:0] | RW | 0x7 | Y | PLL Loop Filter C3. The value in pF is given by 5 * PLL_LF_C3 (in decimal). |

8.6.1.29 PLL_CALCTRL Register; R42

The PLL_CALCTRL register is described in the following table.

| BIT NO. | FIELD | TYPE | DEFAULT | EEPROM | DESCRIPTION |
|---------|-------------------|------|---------|--------|---|
| [7:4] | RESERVED | - | - | N | Reserved. |
| [3:2] | PLL_CLSDWAIT[1:0] | RW | 0x2 | Y | Closed Loop Wait Period. The CLSDWAIT field sets the closed loop wait period. Recommended value is 0x2. |
| | CLSDWAIT | | | | Anlog closed loop VCO stabilization time |
| | 0 (0x0) | | | | 150 μ s |
| | 1 (0x1) | | | | 300 μ s |
| | 2 (0x2) | | | | 500 μ s |
| | 3 (0x3) | | | | 2000 μ s |
| [1:0] | PLL_VCOWAIT[1:0] | RW | 0x1 | Y | VCO Wait Period. Recommended value is 0x1. |
| | VCOWAIT | | | | VCO stabilization time |
| | 0 (0x0) | | | | 20 μ s |
| | 1 (0x1) | | | | 400 μ s |
| | 2 (0x2) | | | | 4000 μ s |
| | 3 (0x3) | | | | 10000 μ s |

8.6.1.30 NVMSCRC Register; R47

The NVMSCRC register holds the Stored CRC (Cyclic Redundancy Check) byte that has been retrieved from on-chip EEPROM.

| BIT NO. | FIELD | TYPE | DEFAULT | EEPROM | DESCRIPTION |
|---------|--------------|------|---------|--------|--------------------|
| [7:0] | NVMSCRC[7:0] | R | 0x00 | Y | EEPROM Stored CRC. |

8.6.1.31 NVMCNT Register; R48

The NVMCNT register is intended to reflect the number of on-chip EEPROM Erase/Program cycles that have taken place in EEPROM. The count is automatically incremented by hardware and stored in EEPROM.

| BIT NO. | FIELD | TYPE | DEFAULT | EEPROM | DESCRIPTION |
|---------|-------------|------|---------|--------|--|
| [7:0] | NVMCNT[7:0] | R | 0x01 | Y | EEPROM Program Count. The NVMCNT increments automatically after every EEPROM Erase/Program Cycle. The NVMCNT value is retrieved automatically after reset, after a EEPROM Commit operation or after a Erase/Program cycle. The NVMCNT register will increment until it reaches its maximum value of 255 after which no further increments will take place. |

8.6.1.32 NVMCTL Register; R49

The NVMCTL register allows control of the on-chip EEPROM Memories.

| BIT NO. | FIELD | TYPE | DEFAULT | EEPROM | DESCRIPTION |
|---------|------------|------|---------|--------|--|
| [7] | RESERVED | - | - | N | Reserved. |
| [6] | REGCOMMIT | RWSC | 0 | N | REG Commit to EEPROM SRAM Array. The REGCOMMIT bit is used to initiate a transfer from the on-chip registers back to the corresponding location in the EEPROM SRAM Array. The REGCOMMIT bit is automatically cleared to 0 when the transfer is complete. |
| [5] | NVMCRCERR | R | 0 | N | EEPROM CRC Error Indication. The NVMCRCERR bit is set to 1 if a CRC Error has been detected when reading back from on-chip EEPROM during device configuration. |
| [4] | NVMAUTOCRC | RW | 1 | N | EEPROM Automatic CRC. When NVMAUTOCRC is 1 then the EEPROM Stored CRC byte is automatically calculated whenever a EEPROM program takes place. |
| [3] | NVMCOMMIT | RWSC | 0 | N | EEPROM Commit to Registers. The NVMCOMMIT bit is used to initiate a transfer of the on-chip EEPROM contents to internal registers. The transfer happens automatically after reset or when NVMCOMMIT is set to 1. The NVMCOMMIT bit is automatically cleared to 0. The I ² C registers cannot be read while a EEPROM Commit operation is taking place. |
| [2] | NVMBUSY | R | 0 | N | EEPROM Program Busy Indication. The NVMBUSY bit is 1 during an on-chip EEPROM Erase/Program cycle. While NVMBUSY is 1 the on-chip EEPROM cannot be accessed. |
| [1] | NVMERASE | RWSC | 0 | N | EEPROM Erase Start. The NVMERASE bit is used to begin an on-chip EEPROM Erase cycle. The Erase cycle is only initiated if the immediately preceding I ² C transaction was a write to the NVMUNLK register with the appropriate code. The NVMERASE bit is automatically cleared to 0. The EEPROM Erase operation takes around 115ms. |
| [0] | NVMPROG | RWSC | 0 | N | EEPROM Program Start. The NVMPROG bit is used to begin an on-chip EEPROM Program cycle. The Program cycle is only initiated if the immediately preceding I ² C transaction was a write to the NVMUNLK register with the appropriate code. The NVMPROG bit is automatically cleared to 0. If the NVMERASE and NVMPROG bits are set simultaneously then an ERASE/PROGRAM cycle will be executed. The EEPROM Program operation takes around 115ms. |

8.6.1.33 NVMLCRC Register; R50

The NVMLCRC register holds the Live CRC (Cyclic Redundancy Check) byte.

| BIT NO. | FIELD | TYPE | DEFAULT | EEPROM | DESCRIPTION |
|---------|--------------|------|---------|--------|------------------|
| [7:0] | NVMLCRC[7:0] | R | 0x00 | N | EEPROM Live CRC. |

8.6.1.34 MEMADR Register; R51

The MEMADR register holds 7-bits of the starting address for on-chip SRAM or EEPROM access.

| BIT NO. | FIELD | TYPE | DEFAULT | EEPROM | DESCRIPTION |
|---------|-------------|------|---------|--------|---|
| [7] | RESERVED | - | - | N | Reserved. |
| [6:0] | MEMADR[6:0] | RW | 0x00 | N | Memory Address. The MEMADR value determines the starting address for on-chip SRAM read/write access or on-chip EEPROM access. The internal address to access SRAM or EEPROM is automatically incremented; however the MEMADR register does not reflect the internal address in this way. When the SRAM or EEPROM arrays are accessed using the I ² C interface only bits [4:0] of MEMADR are used to form the byte Wise address. |

8.6.1.35 NVMDAT Register; R52

The NVMDAT register returns the on-chip EEPROM contents from the starting address specified by the MEMADR register.

| BIT NO. | FIELD | TYPE | DEFAULT | EEPROM | DESCRIPTION |
|---------|-------------|------|---------|--------|-------------|
| [7:0] | NVMDAT[7:0] | - | - | N | Reserved. |

8.6.1.36 RAMDAT Register; R53

The RAMDAT register provides read and write access to the SRAM that forms part of the on-chip EEPROM module.

| BIT NO. | FIELD | TYPE | DEFAULT | EEPROM | DESCRIPTION |
|---------|-------------|------|---------|--------|-------------|
| [7:0] | RAMDAT[7:0] | - | - | N | Reserved. |

8.6.1.37 NVMUNLK Register; R56

The NVMUNLK register provides a rudimentary level of protection to prevent inadvertent programming of the on-chip EEPROM.

| BIT NO. | FIELD | TYPE | DEFAULT | EEPROM | DESCRIPTION |
|---------|--------------|------|---------|--------|--|
| [7:0] | NVMUNLK[7:0] | RW | 0x00 | N | EEPROM Prog Unlock. The NVMUNLK register must be written immediately prior to setting the NVMPROG bit of register NVMCTL, otherwise the Erase/Program cycle will not be triggered. NVMUNLK must be written with a value of 0xBE. |

8.6.1.38 INT_LIVE Register; R66

The INT_LIVE register reflects the current status of the interrupt sources.

| BIT NO. | FIELD | TYPE | DEFAULT | EEPROM | DESCRIPTION |
|---------|----------|------|---------|--------|-------------------------|
| [7:2] | RESERVED | - | - | N | Reserved. |
| [1] | LOL | R | 0 | N | Loss of Lock PLL. |
| [0] | CAL | R | 0 | N | Calibration Active PLL. |

8.6.1.39 SWRST Register; R72

The SWRST1 register provides software reset control for specific on-chip modules. Each bit in this register is individually self cleared after a write operation. The SWRST1 register will always return 0x00 in a read transaction.

| BIT NO. | FIELD | TYPE | DEFAULT | EEPROM | DESCRIPTION |
|---------|----------|------|---------|--------|--|
| [7:2] | RESERVED | - | - | N | Reserved. |
| [1] | SWR2PLL | RWSC | 0 | N | Software Reset PLL. Setting SWR2PLL to 1 resets the PLL calibrator and clock dividers. This bit is automatically cleared to 0. |
| [0] | RESERVED | - | - | N | Reserved. |

9 Application and Implementation

NOTE

Information in the following applications sections is not part of the TI component specification, and TI does not warrant its accuracy or completeness. TI's customers are responsible for determining suitability of components for their purposes. Customers should validate and test their design implementation to confirm system functionality.

9.1 Application Information

The LMK61E08 features fine and coarse frequency margining capabilities which allow it to be used in applications requiring the output frequency to be adjusted on the fly. In fractional PLL mode, the numerator of the PLL fractional feedback divider can be updated over I²C to update the output frequency without glitches or spikes, allowing the device to be used as a DCXO. The output frequency step size for every bit change in the numerator of the PLL fractional feedback divider is given in [Configuring the PLL](#). The [Application Curves](#) section below illustrates the glitch-less switch in output frequency when the numerator is updated. The frequency margining features can also aid the hardware designer during the system debug and validation phase.

9.2 Typical Application

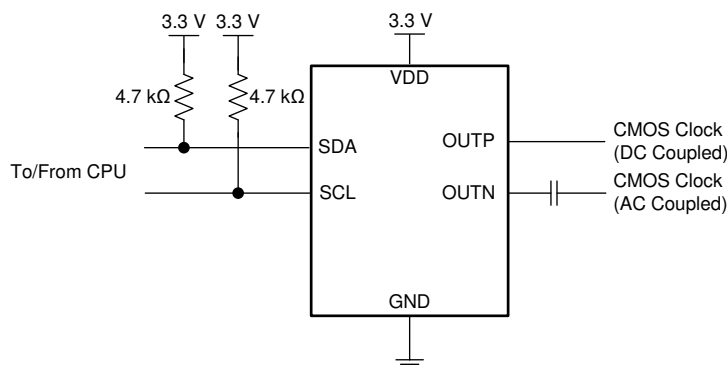


Figure 33. LMK61E08 Typical Application

9.2.1 Design Requirements

Consider a typical digital subscriber line (DSL) application, in which a local modem must track the clock signal of a network modem to ensure accurate and efficient data transfer. In such systems, a DCXO is implemented to allow a local processor to digitally control the oscillator frequency to maintain synchronization. An example of such a clock frequency would be 70.656 MHz.

The typical schematic above shows the I²C connection to the processor and output configurations for LVPECL AC coupling..

The [Detailed Design Procedure](#) below describes the procedure to generate and adjust the required output frequency for the above scenario using LMK61E08.

9.2.2 Detailed Design Procedure

This design procedure will give a quick outline of the process of configuring the LMK61E08 in the above use case. Typically, the easiest approach to configuring the PLL is to start with the desired output frequency and work backwards.

1. VCO Frequency Selection

- The first step is to calculate the possible VCO frequencies given the required output frequency of 70.656 MHz. The LMK61E08 output divider that can be set from /5 to /511. The VCO can output frequencies from 4.6 GHz to 5.6 GHz. Therefore, the output frequency multiplied by the total divide value must fall within this range.
- To determine the boundary of the total divide value, we can divide the VCO frequency limits by the output frequency, resulting in a range of 65.1 to 79.3. Any output divider value within this range will result in a

Typical Application (continued)

valid VCO frequency. A few possible divider combinations and the resulting VCO frequencies are listed in columns 1 and 2, respectively, of [Table 3](#) below.

2. Input Divider and Doubler/Phase Detector Frequency Configuration

- The next step is to set the reference divider and doubler in the reference frequency path to the PLL. The reference divider can be set to /1 or /4, and the doubler can be set to x1 or x2. The main trade-off is that a higher phase detector frequency will result in better output phase noise performance and a lower phase detector frequency will result in a finer output frequency step size when adjusting the feedback divider numerator in DCXO mode.
- In the DSL application, a finer step size is desired so the reference divider will be set to /4 and the doubler to x1 to minimize the phase detector frequency. The phase detector frequency can then be calculated by multiplying and dividing the reference frequency of 50 MHz by those values, resulting in 12.5 MHz.
- Note that in some applications, a trade-off in step size to obtain better phase noise performance is acceptable. In that case the design procedure can be continued, substituting the relevant reference divider and doubler configuration and phase detector frequency.
- In LMK61E08, doubler is set to x1 and reference divider is set to x4, resulting in the PFD frequency of 25 MHz.

3. Feedback Divider Selection

- The possible feedback divider values can then be calculated by dividing the VCO frequency by the phase detector frequency. The possible values are listed in column 3 of [Table 3](#).
- Glitch-less frequency margining in DCXO mode is achieved by adjusting the numerator of the feedback divider without changing the integer value of the divider, which could cause a frequency glitch. Therefore, the output frequency tuning range is limited by which VCO frequency and feedback divider we select out of the valid combinations. To obtain as equal of a tuning range above and below the nominal output frequency as possible, a feedback divider value with fractional portion as close to 1/2 as possible should be chosen.

4. Frequency Margining

- With the device configured to output the nominal frequency of 70.656 MHz, the numerator can be adjusted over I²C to tune the output frequency.
- Using equation 3 in [Configuring the PLL](#), the step size of this configuration can be calculated to be approximately 8×10^{-8} MHz or 1.1 ppb.
- The maximum and minimum tuning range limits can be determined by calculating the maximum shift in frequency from nominal without changing the integer portion of the feedback divider (including setting the numerator to zero or equal to the denominator). In this case, the limits are a maximum of +2313 ppm and a minimum of –2034 ppm from nominal.

Table 3. PLL Configuration Options

| 1. EXAMPLE OUTPUT DIVIDER VALUES | 2. POSSIBLE VCO FREQUENCIES (MHz) | 3. FEEDBACK DIVIDER WITH PDF=25.0 MHz | 4. EQUIVALENT FRACTIONAL FEEDBACK DIVIDER VALUES |
|----------------------------------|-----------------------------------|---------------------------------------|--|
| 76 | 5369.898860 | 214.79595440 | 220+333826/4194303 |
| 78 | 5511.211988 | 220.44847968 | 220+1881059/4194303 |

9.2.2.1 PLL Loop Filter Design

The EVM software tool TICS Pro/Oscillator Programming Tool can be used to aid loop filter design. The Easy Configuration GUI is able to generate a suggested set of loop filter values given a desired output frequency. The tool recommends a PLL configuration that is designed to minimize jitter. As of the publication of this document, it is not yet able to optimize for desired tuning range in DCXO mode. When configuring the device for operation in DCXO mode, TI recommends using the software suggested loop filter settings as a starting point and then perform the procedure described in [Detailed Design Procedure](#) to optimize the PLL configuration to suit the application needs.

A general set of loop filter design guidelines are given below:

- There are many device configurations to achieve the desired output frequency from a device. However there are some optimizations and trade-offs to be considered.

- The guidelines below may be followed when configuring PLL related dividers or other related registers:
 - For lowest possible in-band PLL flat noise, maximize phase detector frequency to minimize N divide value.
 - For fractional divider values, keep the denominator at highest value possible to minimize spurs. It is also best to use a higher order modulator whenever possible for the same reason.
 - As a rule of thumb, keep the phase detector frequency approximately between $10 \times$ PLL loop bandwidth and $100 \times$ PLL loop bandwidth. A phase detector frequency less than $5 \times$ PLL bandwidth may be unstable.
 - While designing the loop filter, adjusting the charge pump current or N value can help with loop filter component selection. Lower charge pump currents and larger N values result in smaller component values but may increase impacts of leakage and reduce PLL phase noise performance.
 - A more detailed understanding of loop filter design can be found in Dean Banerjee's [PLL Performance, Simulation, and Design](#).

9.2.2.2 Spur Mitigation Techniques

The LMK61E08 offers several programmable features for optimizing fractional spurs. To get the best out of these features, it makes sense to understand the different kinds of spurs as well as their behaviors, causes, and remedies. Although optimizing spurs may involve some trial and error, there are ways to make this process more systematic. TI offers the [Clock Design Tool](#) (SNAU082) for more information and estimation of fractional spurs.

9.2.2.2.1 Phase Detection Spur

The phase detector spur occurs at an offset from the carrier equal to the phase detector frequency, f_{PD} . To minimize this spur, consider a lower phase detector frequency. In some cases where the loop bandwidth is very wide relative to the phase detector frequency, some benefit might be gained from using a narrower loop bandwidth or adding poles to the loop filter by using R3 and C3 if previously unused, but otherwise the loop filter has minimal impact. Bypassing at the supply pins and board layout can also have an impact on this spur, especially at higher phase detector frequencies.

9.2.2.2.2 Integer Boundary Fractional Spur

This spur occurs at an offset equal to the difference between the VCO frequency and the closest integer channel for the VCO. For instance, if the phase detector frequency is 100 MHz and the VCO frequency is 5003 MHz, then the integer boundary spur would be at 3-MHz offset. This spur can be either PLL or VCO dominated. If it is PLL dominated, decreasing the loop bandwidth and some of the programmable fractional words may impact this spur. If the spur is VCO dominated, then reducing the loop filter will not help, but rather reducing the phase detector and having good slew rate and signal integrity at the selected reference input will help.

9.2.2.2.3 Primary Fractional Spur

These spurs occur at multiples of f_{PD}/DEN and are not the integer boundary spur. For instance, if the phase detector frequency is 100 MHz and the fraction is 3/100, the primary fractional spurs would be at 1 MHz, 2 MHz, 4 MHz, 5 MHz, 6 MHz, and so forth. These are impacted by the loop filter bandwidth and modulator order. If a small frequency error is acceptable, then a larger equivalent fraction may improve these spurs. This larger unequivalent fraction pushes the fractional spur energy to much lower frequencies that where they are not impactful to the system performance.

9.2.2.2.4 Sub-Fractional Spur

These spurs appear at a fraction of f_{PD}/DEN and depend on modulator order. With the first order modulator, there are no sub-fractional spurs. The second order modulator can produce 1/2 sub-fractional spurs if the denominator is even. A third order modulator can produce sub-fractional spurs at 1/2, 1/3, or 1/6 of the offset, depending if it is divisible by 2 or 3. For instance, if the phase detector frequency is 100 MHz and the fraction is 3/100, no sub-fractional spurs for a first order modulator or sub-fractional spurs at multiples of 1.5 MHz for a second or third order modulator would be expected. Aside from strategically choosing the fractional denominator and using a lower order modulator, another tactic to eliminate these spurs is to use dithering and express the fraction in larger equivalent terms. Because dithering also adds phase noise, its level needs to be managed to achieve acceptable phase noise and spurious performance.

[Table 4](#) summarizes spur and mitigation techniques.

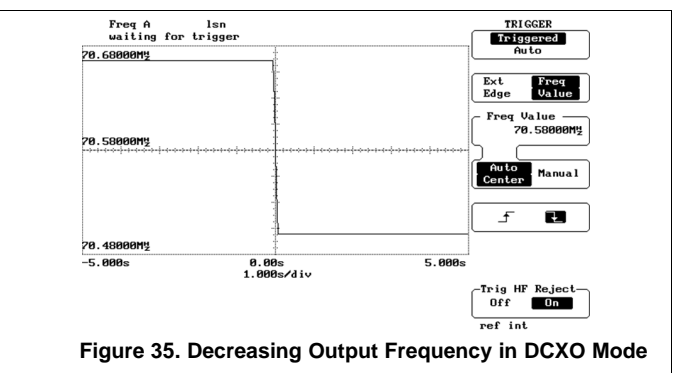
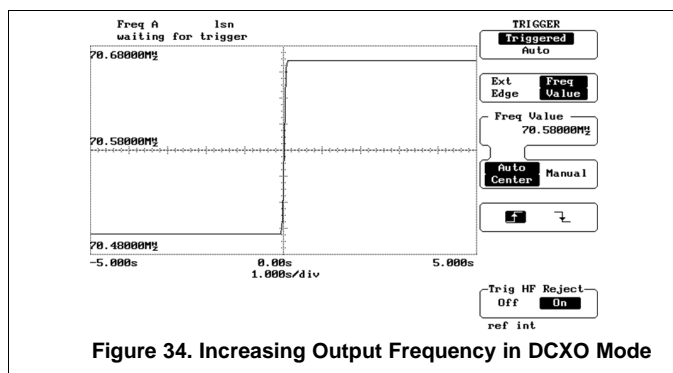
Table 4. Spur and Mitigation Techniques

| SPUR TYPE | OFFSET | WAYS TO REDUCE | TRADE-OFFS |
|--------------------|---------------------------------------|--|---|
| Phase Detector | f_{PD} | Reduce Phase Detector Frequency. | Although reducing the phase detector frequency does improve this spur, it also degrades phase noise. |
| Integer Boundary | $f_{VCO} \text{ mod } f_{PD}$ | Methods for PLL Dominated Spurs | Reducing the loop bandwidth may degrade the total integrated noise if the bandwidth is too narrow. |
| | | - Avoid the worst case VCO frequencies if possible. | |
| | | - Ensure good slew rate and signal integrity at reference input. | |
| | | Methods for VCO Dominated Spurs | Reducing the phase detector may degrade the phase noise. |
| | | - Avoid the worst case VCO frequencies if possible. | |
| | | - Reduce Phase Detector Frequency. | |
| Primary Fractional | f_{PD}/DEN | - Decrease Loop Bandwidth. | Decreasing the loop bandwidth may degrade in-band phase noise. Also, larger unequivalent fractions don't always reduce spurs. |
| | | - Change Modulator Order. | |
| | | - Use Larger Unequivalent Fractions. | |
| Sub-Fractional | $f_{PD}/DEN/k$ $k=2,3, \text{ or } 6$ | - Use Dithering. | Dithering and larger fractions may increase phase noise. |
| | | - Use Larger Equivalent Fractions. | |
| | | - Use Larger Unequivalent Fractions. | |
| | | - Reduce Modulator Order. | |
| | | - Eliminate factors of 2 or 3 in denominator. | |

9.2.2.3 Device Programming

The EVM software tool TICS Pro/Oscillator Programming Tool can be used to program the device with the desired configuration. Simply select the *Program EEPROM* option and the software will automatically load the current configuration to EEPROM. The settings will then be available upon subsequent startup without the need to reload the registers over I²C.

9.2.3 Application Curves



10 Power Supply Recommendations

For best electrical performance of the LMK61E08 device, TI recommends using a combination of 10 μF , 1 μF , and 0.1 μF on its power supply bypass network. TI also recommends using component side mounting of the power supply bypass capacitors, and it is best to use 0201 or 0402 body size capacitors to facilitate signal routing. Keep the connections between the bypass capacitors and the power supply on the device as short as possible. Ground the other side of the capacitor using a low impedance connection to the ground plane. [Figure 36](#) shows the layout recommendation for power supply decoupling of LMK61E08.

11 Layout

11.1 Layout Guidelines

[Ensured Thermal Reliability](#), [Best Practices for Signal Integrity](#) and [Recommended Solder Reflow Profile](#) provide recommendations for board layout, solder reflow profile and power supply bypassing when using LMK61E08 to ensure good thermal and electrical performance and overall signal integrity of entire system.

11.1.1 Ensured Thermal Reliability

The LMK61E08 is a high performance device. Therefore pay careful attention to device configuration and printed-circuit board (PCB) layout with respect to power consumption. The ground pin needs to be connected to the ground plane of the PCB through three vias or more, as shown in [Figure 36](#), to maximize thermal dissipation out of the package.

[Equation 4](#) describes the relationship between the PCB temperature around the LMK61E08 and its junction temperature.

$$T_B = T_J - \Psi_{JB} * P$$

where

- T_B : PCB temperature around the LMK61E08
 - T_J : Junction temperature of LMK61E08
 - Ψ_{JB} : Junction-to-board thermal resistance parameter of LMK61E08 (36.7°C/W without airflow)
 - P : On-chip power dissipation of LMK61E08
- (4)

To ensure that the maximum junction temperature of LMK61E08 is below 115°C, it can be calculated that the maximum PCB temperature without airflow should be at 90°C or below when the device is optimized for best performance resulting in maximum on-chip power dissipation of 0.69 W.

11.1.2 Best Practices for Signal Integrity

For best electrical performance and signal integrity of entire system with LMK61E08, TI recommends routing vias into decoupling capacitors and then into the LMK61E08. TI also recommends increasing the via count and width of the traces wherever possible. These steps ensure lowest impedance and shortest path for high-frequency current flow. [Figure 36](#) shows the layout recommendation for LMK61E08.

11.1.3 Recommended Solder Reflow Profile

TI also recommends following the solder paste supplier's recommendations to optimize flux activity and to achieve proper melting temperatures of the alloy within the guidelines of J-STD-20. It is preferable for the LMK61E08 to be processed with the lowest peak temperature possible while also remaining below the components peak temperature rating as listed on the MSL label. The exact temperature profile would depend on several factors including maximum peak temperature for the component as rated on the MSL label, Board thickness, PCB material type, PCB geometries, component locations, sizes, densities within PCB, as well solder manufactures recommended profile, and capability of the reflow equipment to as confirmed by the SMT assembly operation.

11.2 Layout Example

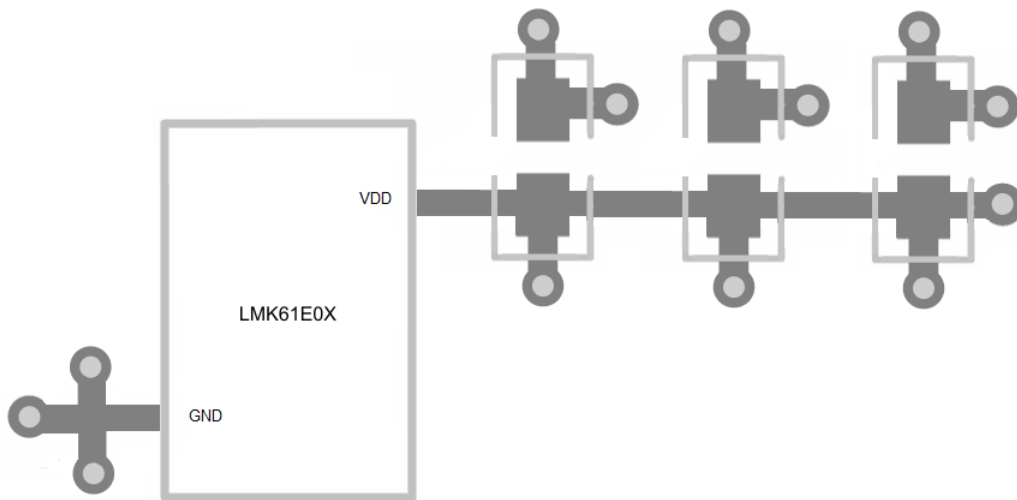


Figure 36. LMK61E08 Layout Recommendation for Power Supply and Ground

12 Device and Documentation Support

12.1 Documentation Support

12.1.1 Related Documentation

For related documentation see the following:

- [Clock Design Tool](#) (SNAU082)
- [PLL Performance, Simulation, and Design](#)

12.2 Receiving Notification of Documentation Updates

To receive notification of documentation updates, navigate to the device product folder on ti.com. In the upper right corner, click on *Alert me* to register and receive a weekly digest of any product information that has changed. For change details, review the revision history included in any revised document.

12.3 Support Resources

TI E2E™ support forums are an engineer's go-to source for fast, verified answers and design help — straight from the experts. Search existing answers or ask your own question to get the quick design help you need.

Linked content is provided "AS IS" by the respective contributors. They do not constitute TI specifications and do not necessarily reflect TI's views; see TI's [Terms of Use](#).

12.4 Trademarks

PLLatinum, E2E are trademarks of Texas Instruments.
All other trademarks are the property of their respective owners.

12.5 Electrostatic Discharge Caution



This integrated circuit can be damaged by ESD. Texas Instruments recommends that all integrated circuits be handled with appropriate precautions. Failure to observe proper handling and installation procedures can cause damage.

ESD damage can range from subtle performance degradation to complete device failure. Precision integrated circuits may be more susceptible to damage because very small parametric changes could cause the device not to meet its published specifications.

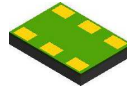
12.6 Glossary

[SLYZ022](#) — *TI Glossary*.

This glossary lists and explains terms, acronyms, and definitions.

13 Mechanical, Packaging, and Orderable Information

The following pages include mechanical, packaging, and orderable information. This information is the most current data available for the designated devices. This data is subject to change without notice and revision of this document. For browser-based versions of this data sheet, refer to the left-hand navigation.

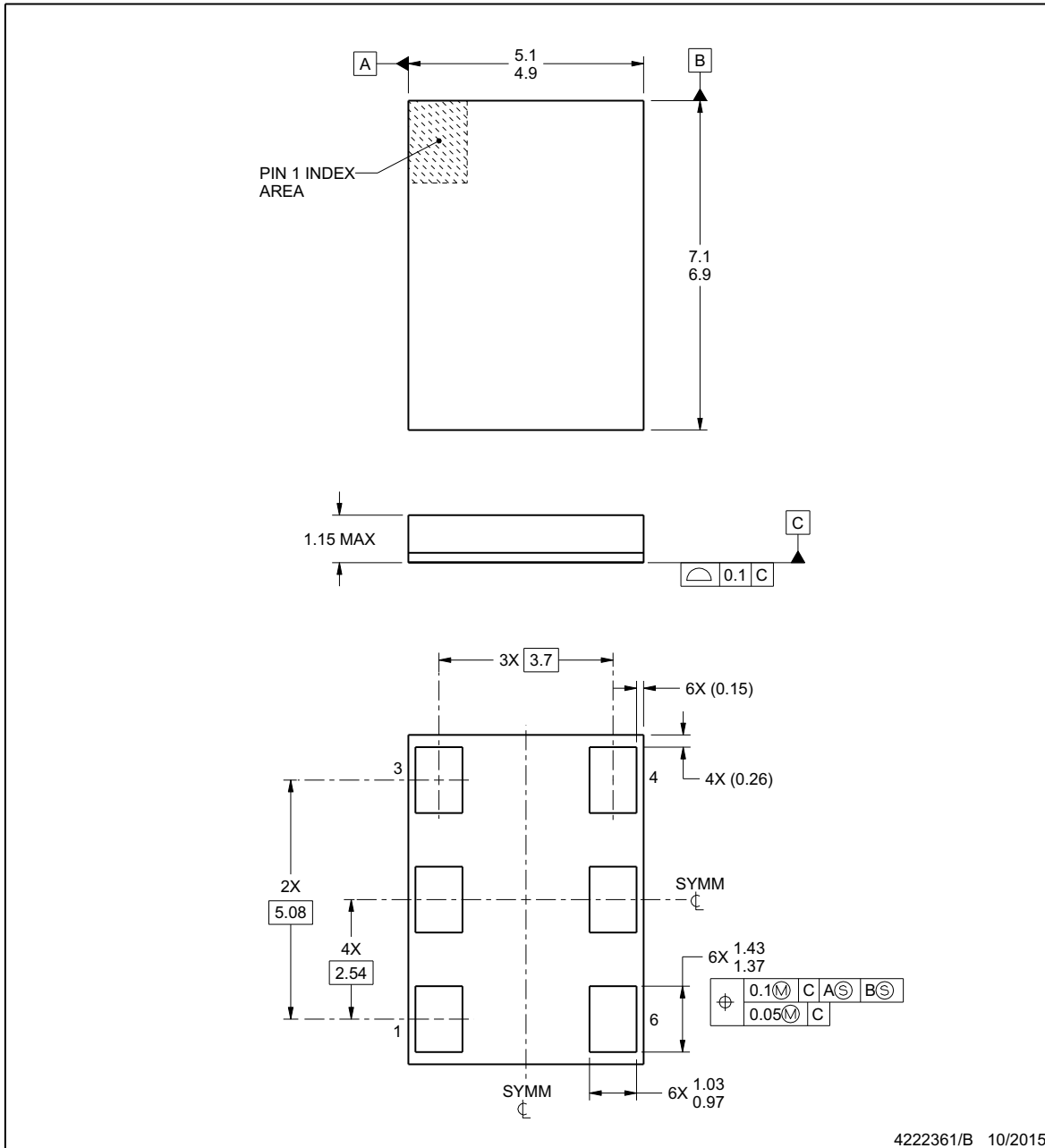


PACKAGE OUTLINE

SIA0006A

QFM - 1.15 mm max height

QUAD FLAT MODULE



4222361/B 10/2015

NOTES:

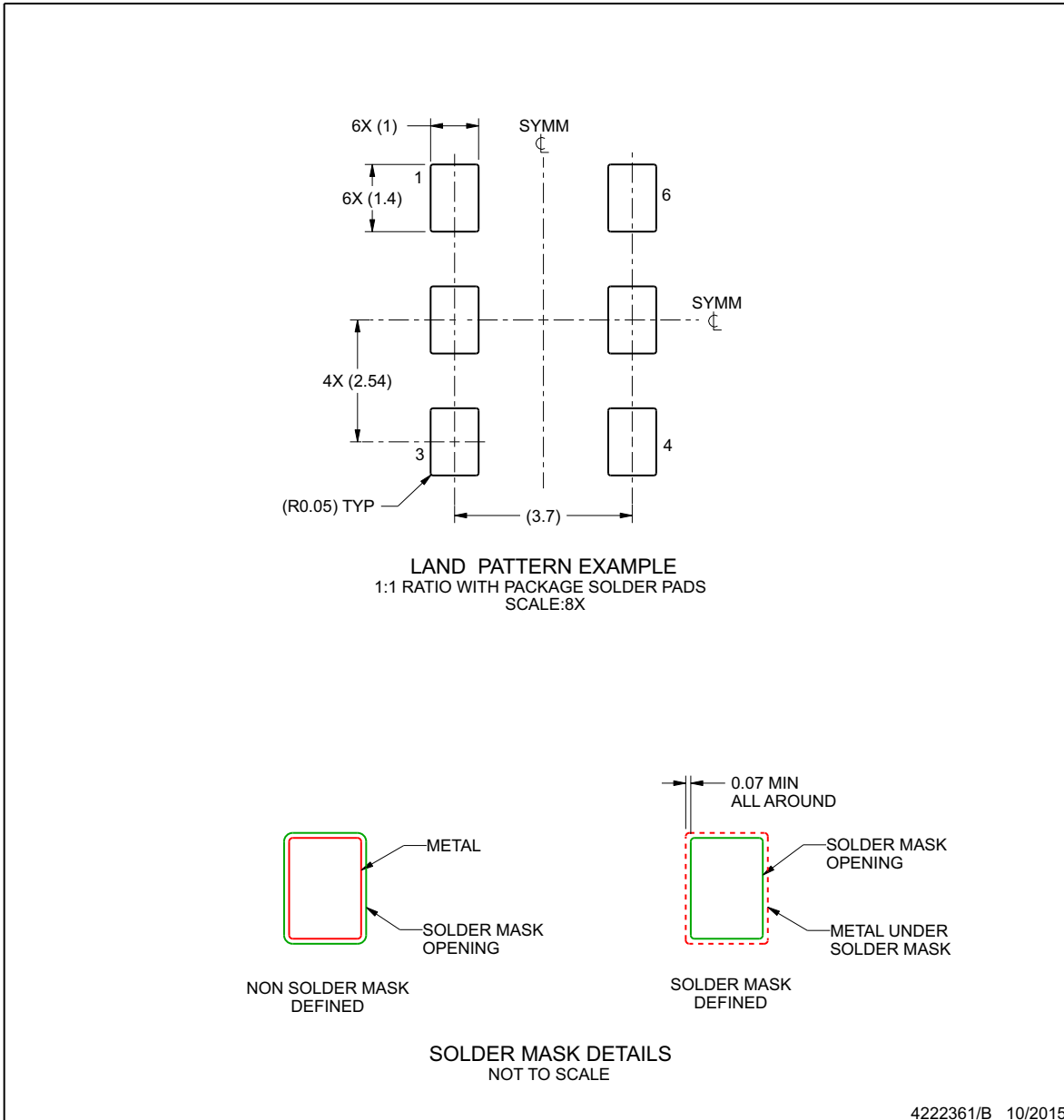
1. All linear dimensions are in millimeters. Any dimensions in parenthesis are for reference only. Dimensioning and tolerancing per ASME Y14.5M.
2. This drawing is subject to change without notice.

EXAMPLE BOARD LAYOUT

SIA0006A

QFM - 1.15 mm max height

QUAD FLAT MODULE



NOTES: (continued)

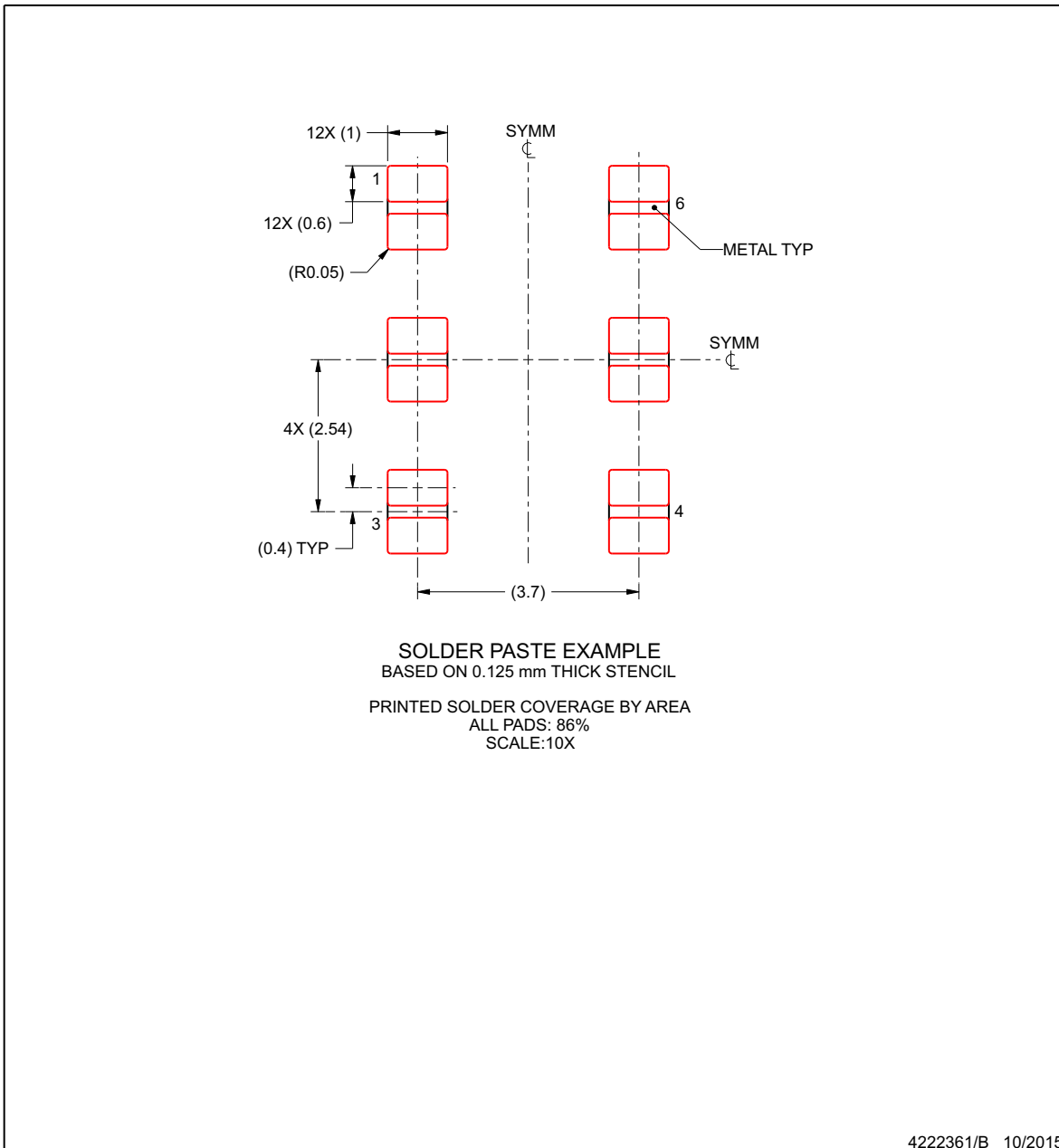
3. For more information, see Texas Instruments literature number SLUA271 (www.ti.com/lit/slua271).

EXAMPLE STENCIL DESIGN

SIA0006A

QFM - 1.15 mm max height



QUAD FLAT MODULE



NOTES: (continued)

4. Laser cutting apertures with trapezoidal walls and rounded corners may offer better paste release. IPC-7525 may have alternate design recommendations.

PACKAGING INFORMATION

| Orderable Device | Status (1) | Package Type | Package Drawing | Pins | Package Qty | Eco Plan (2) | Lead finish/ Ball material (6) | MSL Peak Temp (3) | Op Temp (°C) | Device Marking (4/5) | Samples |
|------------------|---------------|--------------|-----------------|------|-------------|-----------------|--------------------------------------|----------------------|--------------|------------------------------|---|
| LMK61E08-SIAR | ACTIVE | QFM | SIA | 6 | 2500 | RoHS & Green | NIAU | Level-3-260C-168 HR | -40 to 85 | (LMK61, LMK61E0) (8, E08) |  |
| LMK61E08-SIAT | ACTIVE | QFM | SIA | 6 | 250 | RoHS & Green | NIAU | Level-3-260C-168 HR | -40 to 85 | (LMK61, LMK61E0) (8, E08) |  |

(1) The marketing status values are defined as follows:

ACTIVE: Product device recommended for new designs.

LIFEBUY: TI has announced that the device will be discontinued, and a lifetime-buy period is in effect.

NRND: Not recommended for new designs. Device is in production to support existing customers, but TI does not recommend using this part in a new design.

PREVIEW: Device has been announced but is not in production. Samples may or may not be available.

OBSOLETE: TI has discontinued the production of the device.

(2) **RoHS:** TI defines "RoHS" to mean semiconductor products that are compliant with the current EU RoHS requirements for all 10 RoHS substances, including the requirement that RoHS substance do not exceed 0.1% by weight in homogeneous materials. Where designed to be soldered at high temperatures, "RoHS" products are suitable for use in specified lead-free processes. TI may reference these types of products as "Pb-Free".

RoHS Exempt: TI defines "RoHS Exempt" to mean products that contain lead but are compliant with EU RoHS pursuant to a specific EU RoHS exemption.

Green: TI defines "Green" to mean the content of Chlorine (Cl) and Bromine (Br) based flame retardants meet JS709B low halogen requirements of <=1000ppm threshold. Antimony trioxide based flame retardants must also meet the <=1000ppm threshold requirement.

(3) MSL, Peak Temp. - The Moisture Sensitivity Level rating according to the JEDEC industry standard classifications, and peak solder temperature.

(4) There may be additional marking, which relates to the logo, the lot trace code information, or the environmental category on the device.

(5) Multiple Device Markings will be inside parentheses. Only one Device Marking contained in parentheses and separated by a "~" will appear on a device. If a line is indented then it is a continuation of the previous line and the two combined represent the entire Device Marking for that device.

(6) Lead finish/Ball material - Orderable Devices may have multiple material finish options. Finish options are separated by a vertical ruled line. Lead finish/Ball material values may wrap to two lines if the finish value exceeds the maximum column width.

Important Information and Disclaimer:The information provided on this page represents TI's knowledge and belief as of the date that it is provided. TI bases its knowledge and belief on information provided by third parties, and makes no representation or warranty as to the accuracy of such information. Efforts are underway to better integrate information from third parties. TI has taken and continues to take reasonable steps to provide representative and accurate information but may not have conducted destructive testing or chemical analysis on incoming materials and chemicals. TI and TI suppliers consider certain information to be proprietary, and thus CAS numbers and other limited information may not be available for release.

In no event shall TI's liability arising out of such information exceed the total purchase price of the TI part(s) at issue in this document sold by TI to Customer on an annual basis.

TAPE AND REEL INFORMATION

QUADRANT ASSIGNMENTS FOR PIN 1 ORIENTATION IN TAPE

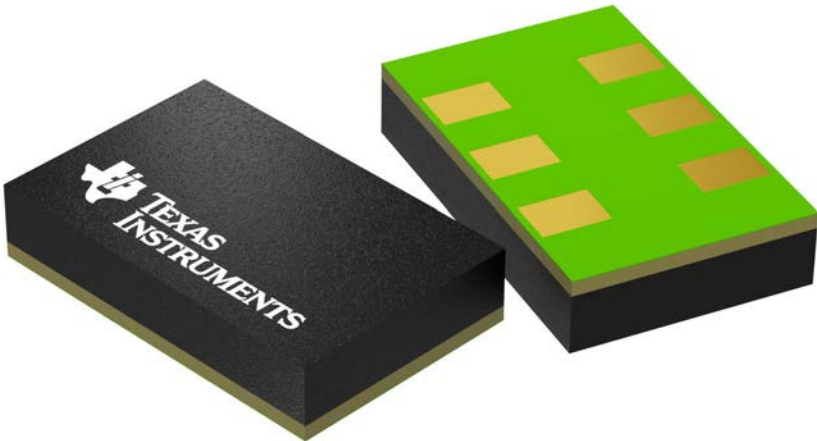

*All dimensions are nominal

| Device | Package Type | Package Drawing | Pins | SPQ | Reel Diameter (mm) | Reel Width W1 (mm) | A0 (mm) | B0 (mm) | K0 (mm) | P1 (mm) | W (mm) | Pin1 Quadrant |
|---------------|--------------|-----------------|------|------|--------------------|--------------------|---------|---------|---------|---------|--------|---------------|
| LMK61E08-SIAR | QFM | SIA | 6 | 2500 | 330.0 | 16.4 | 5.5 | 7.5 | 1.5 | 8.0 | 16.0 | Q1 |
| LMK61E08-SIAT | QFM | SIA | 6 | 250 | 178.0 | 16.4 | 5.5 | 7.5 | 1.5 | 8.0 | 16.0 | Q1 |

TAPE AND REEL BOX DIMENSIONS


*All dimensions are nominal

| Device | Package Type | Package Drawing | Pins | SPQ | Length (mm) | Width (mm) | Height (mm) |
|---------------|--------------|-----------------|------|------|-------------|------------|-------------|
| LMK61E08-SIAR | QFM | SIA | 6 | 2500 | 356.0 | 356.0 | 36.0 |
| LMK61E08-SIAT | QFM | SIA | 6 | 250 | 208.0 | 191.0 | 35.0 |



Images above are just a representation of the package family, actual package may vary. Refer to the product data sheet for package details.

IMPORTANT NOTICE AND DISCLAIMER

TI PROVIDES TECHNICAL AND RELIABILITY DATA (INCLUDING DATA SHEETS), DESIGN RESOURCES (INCLUDING REFERENCE DESIGNS), APPLICATION OR OTHER DESIGN ADVICE, WEB TOOLS, SAFETY INFORMATION, AND OTHER RESOURCES "AS IS" AND WITH ALL FAULTS, AND DISCLAIMS ALL WARRANTIES, EXPRESS AND IMPLIED, INCLUDING WITHOUT LIMITATION ANY IMPLIED WARRANTIES OF MERCHANTABILITY, FITNESS FOR A PARTICULAR PURPOSE OR NON-INFRINGEMENT OF THIRD PARTY INTELLECTUAL PROPERTY RIGHTS.

These resources are intended for skilled developers designing with TI products. You are solely responsible for (1) selecting the appropriate TI products for your application, (2) designing, validating and testing your application, and (3) ensuring your application meets applicable standards, and any other safety, security, regulatory or other requirements.

These resources are subject to change without notice. TI grants you permission to use these resources only for development of an application that uses the TI products described in the resource. Other reproduction and display of these resources is prohibited. No license is granted to any other TI intellectual property right or to any third party intellectual property right. TI disclaims responsibility for, and you will fully indemnify TI and its representatives against, any claims, damages, costs, losses, and liabilities arising out of your use of these resources.

TI's products are provided subject to [TI's Terms of Sale](#) or other applicable terms available either on [ti.com](https://www.ti.com) or provided in conjunction with such TI products. TI's provision of these resources does not expand or otherwise alter TI's applicable warranties or warranty disclaimers for TI products.

TI objects to and rejects any additional or different terms you may have proposed.

Mailing Address: Texas Instruments, Post Office Box 655303, Dallas, Texas 75265
Copyright © 2024, Texas Instruments Incorporated