

LMT90 SOT-23 Single-Supply Centigrade Temperature Sensor

1 Features

- Cost-Effective Alternative to Thermistors
- Calibrated Directly in Degree Celsius (Centigrade)
- Linear + 10.0 mV/°C Scale Factor
- $\pm 3^\circ\text{C}$ Accuracy Guaranteed at 25°C
- Specified for Full -40° to 125°C range
- Suitable for Remote Applications
- Operates from 4.5 V to 10 V
- Less than 130- μA Current Drain
- Low Self-heating, Less Than 0.2°C in Still Air
- Non-linearity Less Than 0.8°C Over Temp

2 Applications

- Industrial
- HVAC
- Disk Drives
- Automotive
- Portable Medical Instruments
- Computers
- Battery Management
- Printers
- Power Supply Modules
- FAX Machines

3 Description

The LMT90 device is a precision integrated-circuit temperature sensor that can sense a -40°C to $+125^\circ\text{C}$ temperature range using a single positive supply. The output voltage of LMT90 is linearly proportional to Celsius (Centigrade) temperature (10 mV/°C) and has a DC offset of 500 mV. The offset allows reading negative temperatures without the need for a negative supply. The ideal output voltage of the LMT90 ranges from 100 mV to 1.75 V for a -40°C to 125°C temperature range. The LMT90 does not require any external calibration or trimming to provide accuracies of $\pm 3^\circ\text{C}$ at room temperature and $\pm 4^\circ\text{C}$ over the full -40°C to $+125^\circ\text{C}$ temperature range. Trimming and calibration of the LMT90 at the wafer level assure low cost and high accuracy. The linear output, 500-mV offset, and factory calibration of LMT90 simplify circuitry required in a single-supply environment where reading negative temperatures is required. The LMT90's quiescent current is less than 130 μA , thus self-heating is limited to a very low 0.2°C in still air.

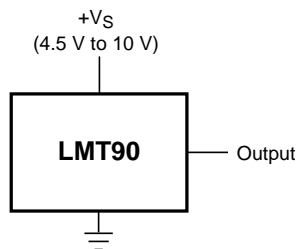
The LMT90 is a cost-competitive alternative to thermistors.

Device Information⁽¹⁾

PART NUMBER	PACKAGE	BODY SIZE (NOM)
LMT90	SOT-23 (3)	2.92 mm x 1.30 mm

(1) For all available packages, see the orderable addendum at the end of the data sheet.

Simplified Schematic



Full-Range Centigrade Temperature Sensor (-40°C to $+125^\circ\text{C}$)

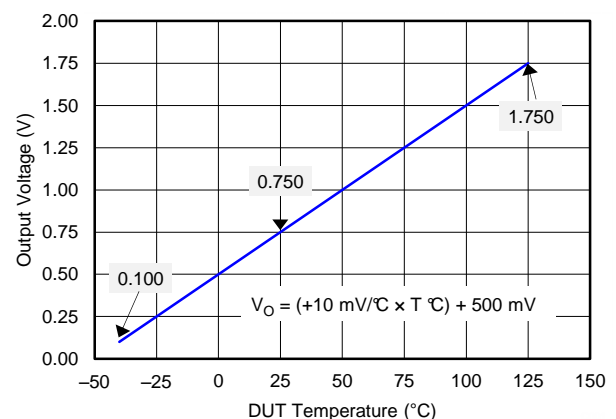


Table of Contents

1 Features	1	7.4 Device Functional Modes.....	7
2 Applications	1	8 Application and Implementation	8
3 Description	1	8.1 Application Information.....	8
4 Revision History	2	8.2 Typical Application	9
5 Pin Configuration and Functions	3	8.3 System Examples	10
6 Specifications	3	9 Power Supply Recommendations	10
6.1 Absolute Maximum Ratings	3	10 Layout	10
6.2 ESD Ratings.....	3	10.1 Layout Guidelines	10
6.3 Recommended Operating Conditions.....	3	10.2 Layout Examples.....	11
6.4 Thermal Information	4	11 Device and Documentation Support	12
6.5 Electrical Characteristics.....	4	11.1 Community Resources.....	12
6.6 Typical Characteristics.....	5	11.2 Trademarks	12
7 Detailed Description	7	11.3 Electrostatic Discharge Caution.....	12
7.1 Overview	7	11.4 Glossary	12
7.2 Functional Block Diagram	7	12 Mechanical, Packaging, and Orderable	
7.3 Feature Description.....	7	Information	12

4 Revision History

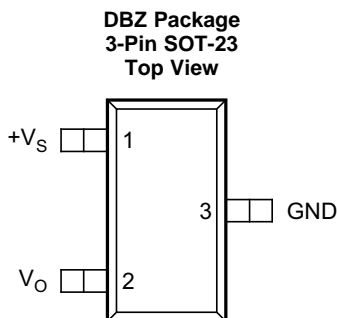
NOTE: Page numbers for previous revisions may differ from page numbers in the current version.

Changes from Revision A (March 2013) to Revision B

Page

- Added *Pin Configuration and Functions* section, *ESD Ratings* table, *Feature Description* section, *Device Functional Modes*, *Application and Implementation* section, *Power Supply Recommendations* section, *Layout* section, *Device and Documentation Support* section, and *Mechanical, Packaging, and Orderable Information* section **1**

5 Pin Configuration and Functions



Pin Functions

PIN		TYPE	DESCRIPTION
NO.	NAME		
1	+V _S	POWER	Positive power supply pin
2	V _O	OUTPUT	Temperature sensor analog output
3	GND	GND	Device ground pin, connected to power supply negative terminal

6 Specifications

6.1 Absolute Maximum Ratings

over operating free-air temperature range (unless otherwise noted)⁽¹⁾

	MIN	MAX	UNIT
Supply Voltage	-0.2	12	V
Output Voltage	-1	(+V _S + 0.6)	V
Output Current		10	mA
Maximum Junction Temperature, T _{JMAX}		150	°C
Storage temperature, T _{stg}	-65	150	°C

- (1) Stresses beyond those listed under *Absolute Maximum Ratings* may cause permanent damage to the device. These are stress ratings only, which do not imply functional operation of the device at these or any other conditions beyond those indicated under *Recommended Operating Conditions*. Exposure to absolute-maximum-rated conditions for extended periods may affect device reliability.

6.2 ESD Ratings

		VALUE	UNIT
V _(ESD)	Electrostatic discharge	Human body model (HBM) ⁽¹⁾	2000
		Machine Model ⁽¹⁾	250

- (1) The human body model is a 100-pF capacitor discharged through a 1.5-kΩ resistor into each pin. Machine model is a 200-pF capacitor discharged directly into each pin.

6.3 Recommended Operating Conditions

over operating free-air temperature range (unless otherwise noted)⁽¹⁾

	MIN	MAX	UNIT
LMT90 (T _{MIN} ≤ T _A ≤ T _{MAX})	-40	125	°C
Operating Temperature Range (Device is functional but performance is not specified)	-40	150	°C
Supply Voltage Range (+V _S)	4.5	10	V

- (1) Soldering process must comply with the Reflow Temperature Profile specifications. Reflow temperature profiles are different for lead-free and non-lead-free packages. Refer to www.ti.com/packaging.

6.4 Thermal Information

THERMAL METRIC ⁽¹⁾	LMT90	UNIT
	DBZ (SOT-23)	
	3 PINS	
R _{θJA} Junction-to-ambient thermal resistance	450	°C/W

(1) For more information about traditional and new thermal metrics, see the *Semiconductor and IC Package Thermal Metrics* application report, [SPRA953](#).

6.5 Electrical Characteristics

Unless otherwise noted, these specifications apply for $V_S = 5 V_{DC}$ and $I_{LOAD} = 0.5 \mu A$, in the circuit of [Figure 14](#). All limits $T_A = T_J = 25^\circ C$, unless otherwise noted.

PARAMETER	TEST CONDITIONS	MIN	TYP	MAX ⁽¹⁾	UNIT
Accuracy ⁽²⁾		-3		3	°C
	$T_A = T_{MAX}$	-4		4	°C
	$T_A = T_{MIN}$	-4		4	°C
Non-linearity ⁽³⁾	$T_A = T_J = T_{MIN}$ to T_{MAX}	-0.8		0.8	°C
Sensor Gain (Average Slope)	$T_A = T_J = T_{MIN}$ to T_{MAX}	9.7		10.3	mV/°C
Output Resistance			2000		Ω
	$T_A = T_J = T_{MIN}$ to T_{MAX}			4000	
Line Regulation ⁽⁴⁾	$4.5 V \leq V_S \leq 10 V$	-0.8		0.8	mV/V
	$T_A = T_J = T_{MIN}$ to T_{MAX}	-1.2		1.2	mV/V
Quiescent Current ⁽⁵⁾	$4.5 V \leq V_S \leq 10 V$			130	μA
	$4.5 V \leq V_S \leq 10 V$ $T_A = T_J = T_{MIN}$ to T_{MAX}			180	μA
Change of Quiescent Current ⁽⁵⁾	$4.5 V \leq V_S \leq 10 V$ $T_A = T_J = T_{MIN}$ to T_{MAX}			2	μA
Temperature Coefficient of Quiescent Current	$T_A = T_J = T_{MIN}$ to T_{MAX}		2		μA/°C
Long Term Stability ⁽⁶⁾	$T_J = 125^\circ C$, for 1000 hours		±0.08		°C

- (1) Limits are specific to TI's AOQL (Average Outgoing Quality Level).
- (2) Accuracy is defined as the error between the output voltage and 10 mV/°C times the device's case temperature plus 500 mV, at specified conditions of voltage, current, and temperature (expressed in °C).
- (3) Non-linearity is defined as the deviation of the output-voltage-versus-temperature curve from the best-fit straight line, over the device's rated temperature range.
- (4) Regulation is measured at constant junction temperature, using pulse testing with a low duty cycle. Changes in output due to heating effects can be computed by multiplying the internal dissipation by the thermal resistance.
- (5) Quiescent current is defined in the circuit of [Figure 14](#).
- (6) For best long-term stability, any precision circuit will give best results if the unit is aged at a warm temperature, and/or temperature cycled for at least 46 hours before long-term life test begins. This is especially true when a small (Surface-Mount) part is wave-soldered; allow time for stress relaxation to occur. The majority of the drift will occur in the first 1000 hours at elevated temperatures. The drift after 1000 hours will not continue at the first 1000 hour rate.

6.6 Typical Characteristics

To generate these curves the LMT90 was mounted to a printed circuit board as shown in [Figure 19](#).

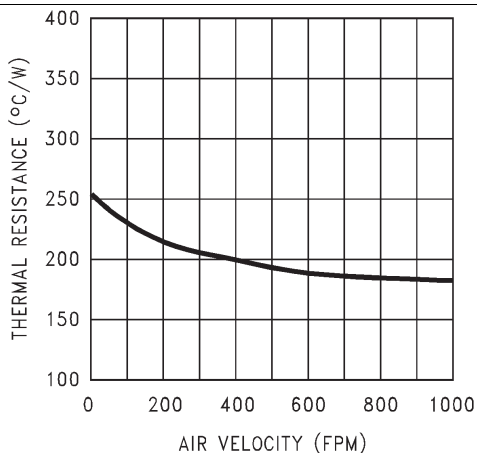


Figure 1. Thermal Resistance Junction to Air

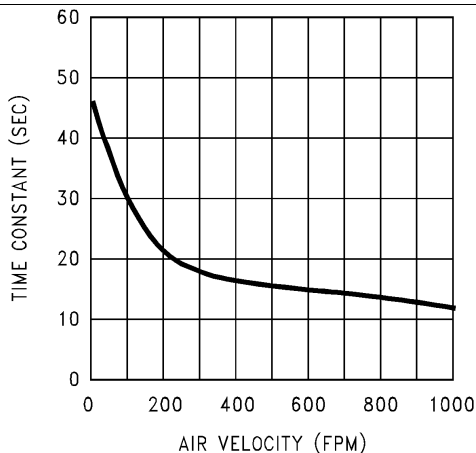


Figure 2. Thermal Time Constant

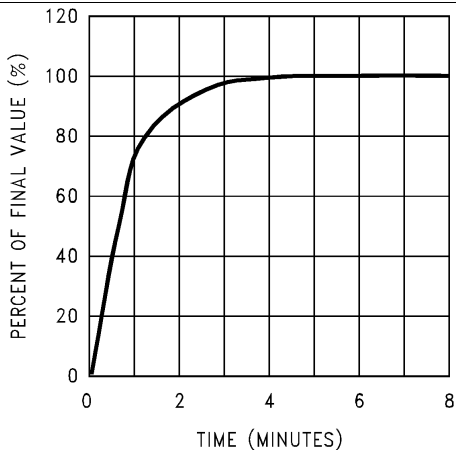


Figure 3. Thermal Response in Still Air With Heat Sink (Figure 19)

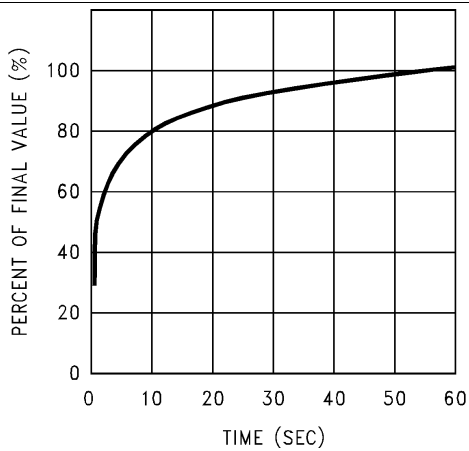


Figure 4. Thermal Response in Stirred Oil Bath With Heat Sink

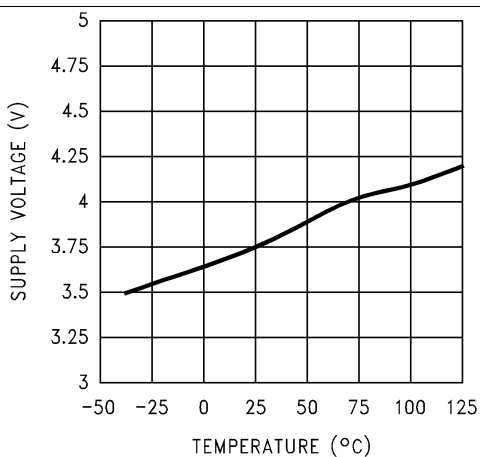


Figure 5. Startup Voltage vs Temperature

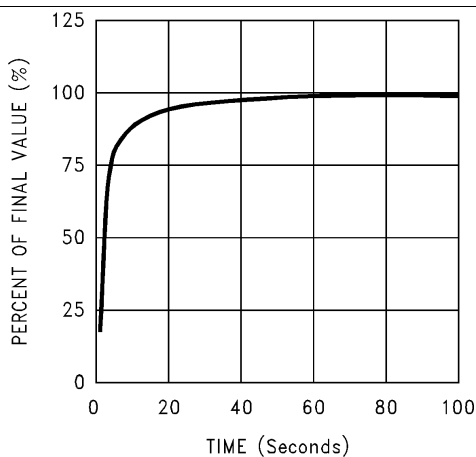


Figure 6. Thermal Response in Still Air Without a Heat Sink

Typical Characteristics (continued)

To generate these curves the LMT90 was mounted to a printed circuit board as shown in Figure 19.

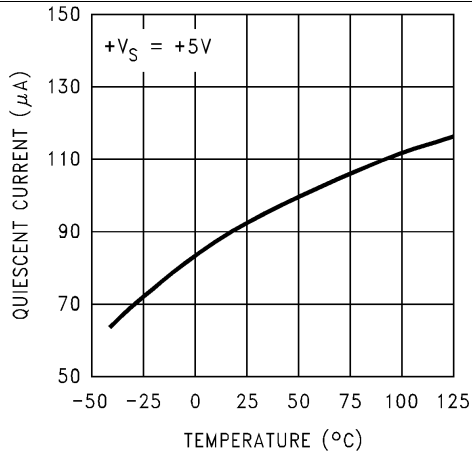


Figure 7. Quiescent Current vs Temperature (Figure 14)

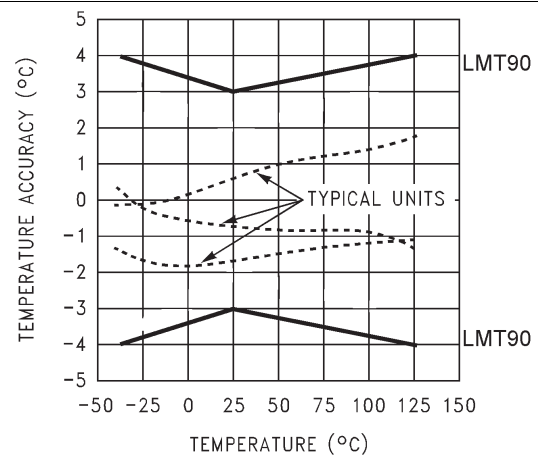


Figure 8. Accuracy vs Temperature

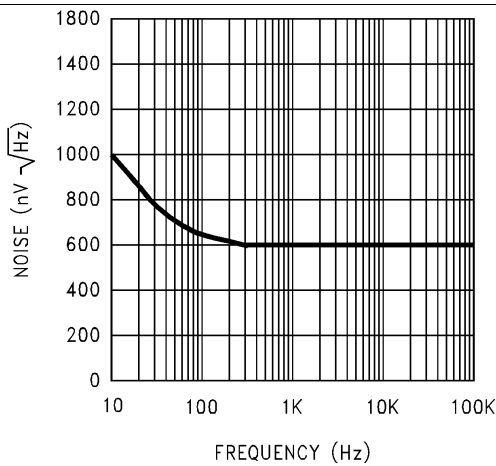


Figure 9. Noise Voltage

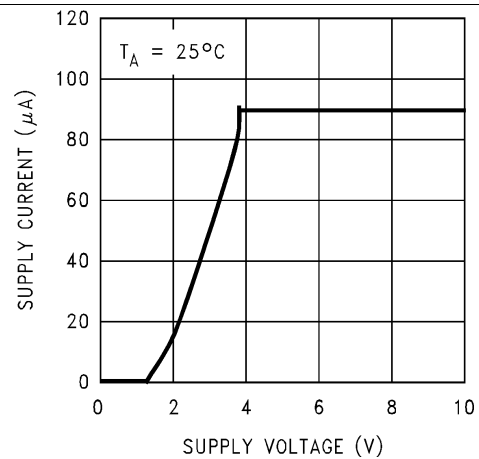


Figure 10. Supply Voltage vs Supply Current

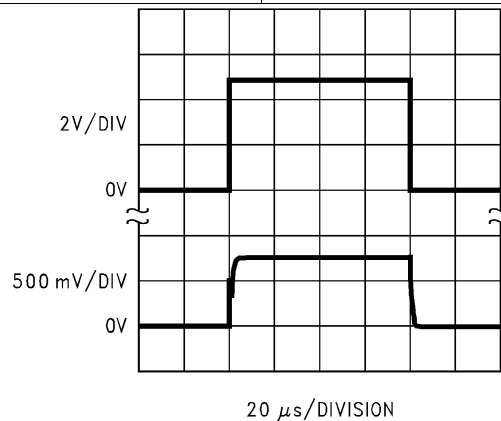


Figure 11. Start-Up Response

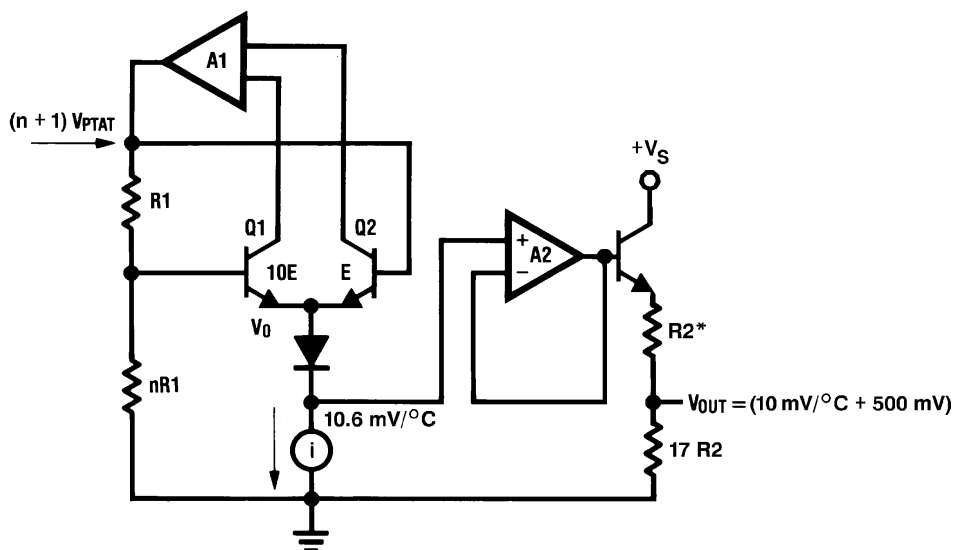
7 Detailed Description

7.1 Overview

The LMT90 is a precision integrated-circuit temperature sensor that can sense a -40°C to 125°C temperature range using a single positive supply. The output voltage of the LMT90 has a positive temperature slope of $10\text{ mV}/^{\circ}\text{C}$. A 500-mV offset is included enabling negative temperature sensing when biased by a single supply.

The temperature-sensing element is comprised of a ΔV_{BE} architecture. The temperature-sensing element is then buffered by an amplifier and provided to the V_O pin. The amplifier has a simple class A output stage with typical $2\text{-k}\Omega$ output impedance as shown in the *Functional Block Diagram*. The output impedance has a temperature coefficient of approximately $1300\text{ ppm}/^{\circ}\text{C}$. Over temperature the output impedance will max out at $4\text{ k}\Omega$.

7.2 Functional Block Diagram



*R2 \approx 2k With a typical $1300\text{ ppm}/^{\circ}\text{C}$ Drift.

7.3 Feature Description

7.3.1 LMT90 Transfer Function

The LM60 follows a simple linear transfer function in order to achieve the accuracy as listed in *Electrical Characteristics*:

$$V_{OUT} = 10\text{ mV}/^{\circ}\text{C} \times T\text{ }^{\circ}\text{C} + 500\text{ mV}$$

where

- T is the temperature in $^{\circ}\text{C}$
- V_{OUT} is the LMT90 output voltage

(1)

7.4 Device Functional Modes

The LMT90's only functional mode is that it has an analog output directly proportional to temperature.

8 Application and Implementation

NOTE

Information in the following applications sections is not part of the TI component specification, and TI does not warrant its accuracy or completeness. TI's customers are responsible for determining suitability of components for their purposes. Customers should validate and test their design implementation to confirm system functionality.

8.1 Application Information

The LMT90 has a wide supply range and a 10 mV/°C output slope with a 500-mV DC offset at 25 °C. Therefore, it can easily be applied in many temperature-sensing applications where a single supply is required for positive and negative temperatures.

8.1.1 Capacitive Loads

The LMT90 handles capacitive loading very well. Without any special precautions, the LMT90 can drive any capacitive load. The LMT90 has a nominal 2-kΩ output impedance (as can be seen in the [Functional Block Diagram](#)). The temperature coefficient of the output resistors is around 1300 ppm/°C. Taking into account this temperature coefficient and the initial tolerance of the resistors the output impedance of the LMT90 will not exceed 4 kΩ. In an extremely noisy environment it may be necessary to add some filtering to minimize noise pickup. TI recommends that 0.1 μF be added from V_{IN} to GND to bypass the power supply voltage, as shown in [Figure 13](#). In a noisy environment, it may be necessary to add a capacitor from the output to ground. A 1-μF output capacitor with the 4-kΩ output impedance will form a 40-Hz lowpass filter. Because the thermal time constant of the LMT90 is much slower than the 25-ms time constant formed by the RC, the overall response time of the LMT90 will not be significantly affected. For much larger capacitors this additional time lag will increase the overall response time of the LMT90.

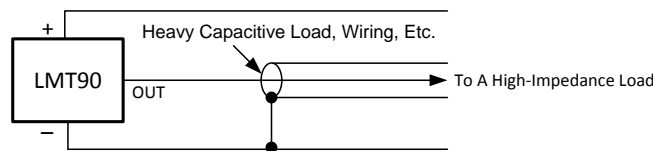


Figure 12. LMT90 No Decoupling Required for Capacitive Load

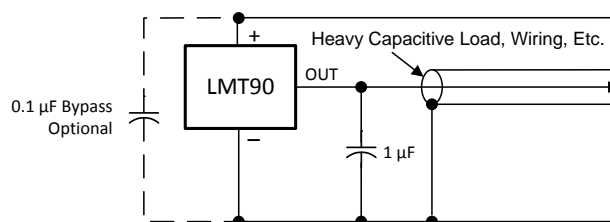


Figure 13. LMT90 With Filter for Noisy Environment

8.2 Typical Application

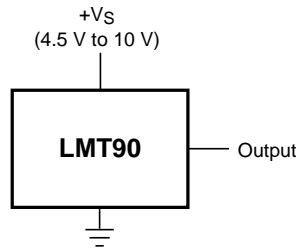


Figure 14. Full-Range Centigrade Temperature Sensor (–40°C to 125°C)

8.2.1 Design Requirements

For this design example, use the following design parameters in [Table 1](#).

Table 1. Design Parameters

PARAMETER	VALUE	UNIT
Accuracy at 25°C	±3.0 (maximum)	°C
Accuracy Over –40°C to 125°C	±4.0 (maximum)	°C
Temperature slope	10	mV/°C
Power Supply Voltage Range	4.5 to 10	V
Output Impedance	4 (maximum)	kΩ

8.2.2 Detailed Design Procedure

The LMT90 is a simple temperature sensor that provides an analog output. Therefore design requirements related to layout out weigh other requirements in importance, refer to [Layout](#) for a detailed description.

8.2.3 Application Curve

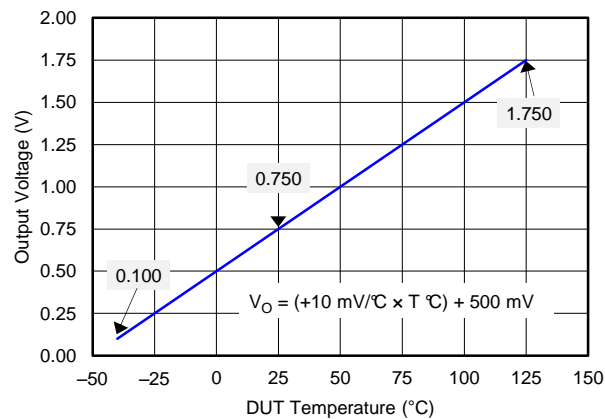


Figure 15. Plot of Output Transfer Function

8.3 System Examples

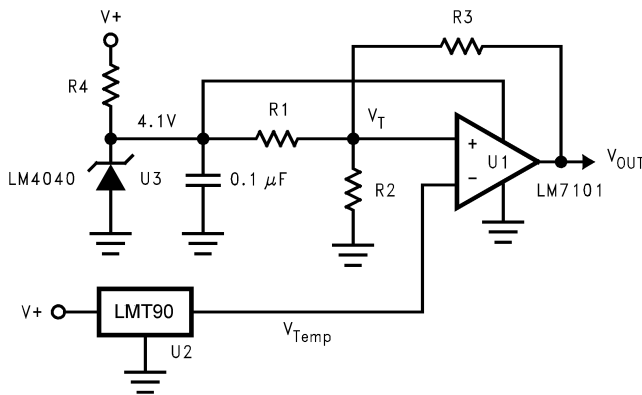


Figure 16. Centigrade Thermostat / Fan Controller

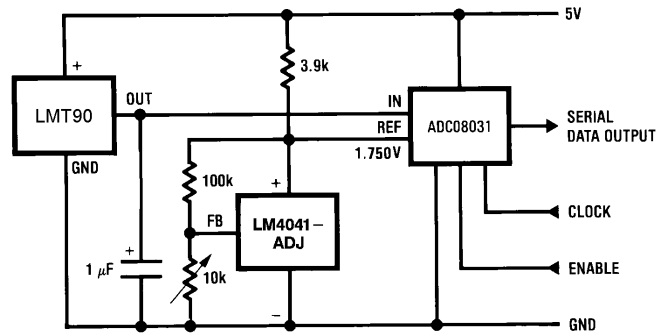


Figure 17. Temperature to Digital Converter (Serial Output) (125°C Full Scale)

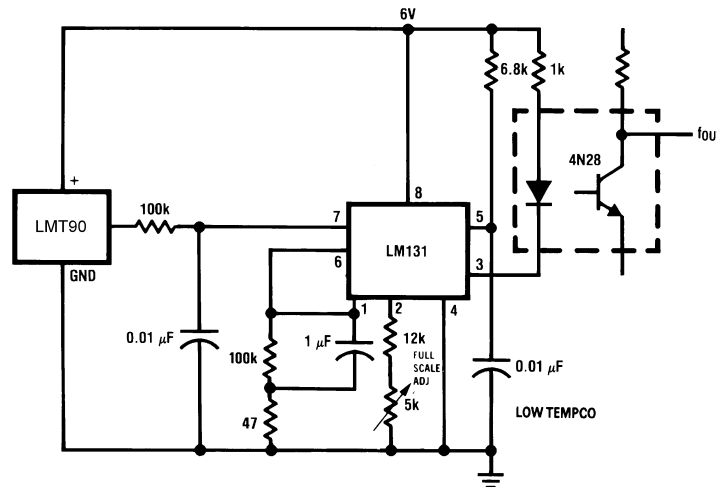


Figure 18. LMT90 With Voltage-To-Frequency Converter and Isolated Output (-40°C to 125°C; 100 Hz to 1750 Hz)

9 Power Supply Recommendations

In an extremely noisy environment, it may be necessary to add some filtering to minimize noise pickup. TI recommends that 0.1 μF be added from V_{IN} to GND to bypass the power supply voltage, as shown in Figure 13.

10 Layout

10.1 Layout Guidelines

The LMT90 can be applied easily in the same way as other integrated-circuit temperature sensors. It can be glued or cemented to a surface and its temperature will be within about 0.2°C of the surface temperature.

This presumes that the ambient air temperature is almost the same as the surface temperature; if the air temperature were much higher or lower than the surface temperature, the actual temperature of the LMT90 die would be at an intermediate temperature between the surface temperature and the air temperature.

To ensure good thermal conductivity the backside of the LMT90 die is directly attached to the GND pin. The lands and traces to the LMT90 will, of course, be part of the printed-circuit-board, which is the object whose temperature is being measured. These printed-circuit-board lands and traces will not cause the LMT90 temperature to deviate from the desired temperature.

Layout Guidelines (continued)

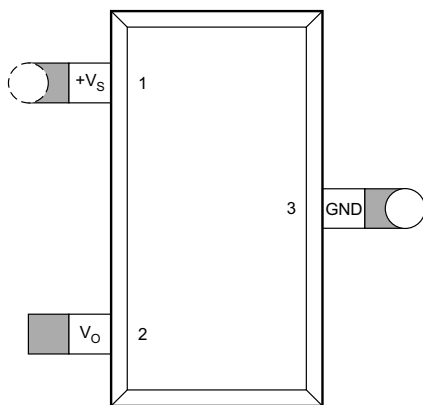
Alternatively, the LMT90 can be mounted inside a sealed-end metal tube, and can then be dipped into a bath or screwed into a threaded hole in a tank. As with any IC, the LMT90 and accompanying wiring and circuits must be kept insulated and dry, to avoid leakage and corrosion. This is especially true if the circuit may operate at cold temperatures where condensation can occur. Printed-circuit coatings and varnishes such as a conformal coating and epoxy paints or dips are often used to ensure that moisture cannot corrode the LMT90 or its connections.

Table 2. Temperature Rise of LMT90 Due to Self-Heating (Thermal Resistance, $R_{\theta JA}$)

	SOT-23 no heat sink⁽¹⁾	SOT-23 small heat fin⁽²⁾
Still air	450°C/W	260°C/W
Moving air	—	180°C/W

- (1) Part soldered to 30 gauge wire.
- (2) Heat sink used is 1/2-inch square printed circuit board with 2-oz. foil with part attached as shown in [Figure 19](#).

10.2 Layout Examples



- Via to ground plane
- Via to power plane

1/2-inch square printed-circuit-board with 2-oz. foil or similar

Figure 19. PCB Layout

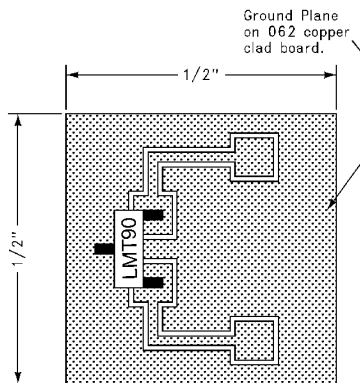


Figure 20. PCB Used for Heat Sink to Generate Thermal Response Curves

11 Device and Documentation Support

11.1 Community Resources

The following links connect to TI community resources. Linked contents are provided "AS IS" by the respective contributors. They do not constitute TI specifications and do not necessarily reflect TI's views; see TI's [Terms of Use](#).

TI E2E™ Online Community *TI's Engineer-to-Engineer (E2E) Community*. Created to foster collaboration among engineers. At e2e.ti.com, you can ask questions, share knowledge, explore ideas and help solve problems with fellow engineers.

Design Support *TI's Design Support* Quickly find helpful E2E forums along with design support tools and contact information for technical support.

11.2 Trademarks

E2E is a trademark of Texas Instruments.
All other trademarks are the property of their respective owners.

11.3 Electrostatic Discharge Caution



These devices have limited built-in ESD protection. The leads should be shorted together or the device placed in conductive foam during storage or handling to prevent electrostatic damage to the MOS gates.

11.4 Glossary

[SLYZ022](#) — *TI Glossary*.

This glossary lists and explains terms, acronyms, and definitions.

12 Mechanical, Packaging, and Orderable Information

The following pages include mechanical, packaging, and orderable information. This information is the most current data available for the designated devices. This data is subject to change without notice and revision of this document. For browser-based versions of this data sheet, refer to the left-hand navigation.

PACKAGING INFORMATION

Orderable Device	Status (1)	Package Type	Package Drawing	Pins	Package Qty	Eco Plan (2)	Lead finish/ Ball material (6)	MSL Peak Temp (3)	Op Temp (°C)	Device Marking (4/5)	Samples
LMT90DBZR	ACTIVE	SOT-23	DBZ	3	3000	TBD	Call TI	Call TI	-40 to 125	T8C	Samples
LMT90DBZT	OBSOLETE	SOT-23	DBZ	3		TBD	Call TI	Call TI	-40 to 125	T8C	

(1) The marketing status values are defined as follows:

ACTIVE: Product device recommended for new designs.

LIFEBUY: TI has announced that the device will be discontinued, and a lifetime-buy period is in effect.

NRND: Not recommended for new designs. Device is in production to support existing customers, but TI does not recommend using this part in a new design.

PREVIEW: Device has been announced but is not in production. Samples may or may not be available.

OBSOLETE: TI has discontinued the production of the device.

(2) **RoHS:** TI defines "RoHS" to mean semiconductor products that are compliant with the current EU RoHS requirements for all 10 RoHS substances, including the requirement that RoHS substance do not exceed 0.1% by weight in homogeneous materials. Where designed to be soldered at high temperatures, "RoHS" products are suitable for use in specified lead-free processes. TI may reference these types of products as "Pb-Free".

RoHS Exempt: TI defines "RoHS Exempt" to mean products that contain lead but are compliant with EU RoHS pursuant to a specific EU RoHS exemption.

Green: TI defines "Green" to mean the content of Chlorine (Cl) and Bromine (Br) based flame retardants meet JS709B low halogen requirements of <=1000ppm threshold. Antimony trioxide based flame retardants must also meet the <=1000ppm threshold requirement.

(3) MSL, Peak Temp. - The Moisture Sensitivity Level rating according to the JEDEC industry standard classifications, and peak solder temperature.

(4) There may be additional marking, which relates to the logo, the lot trace code information, or the environmental category on the device.

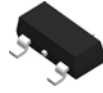
(5) Multiple Device Markings will be inside parentheses. Only one Device Marking contained in parentheses and separated by a "~" will appear on a device. If a line is indented then it is a continuation of the previous line and the two combined represent the entire Device Marking for that device.

(6) Lead finish/Ball material - Orderable Devices may have multiple material finish options. Finish options are separated by a vertical ruled line. Lead finish/Ball material values may wrap to two lines if the finish value exceeds the maximum column width.

Important Information and Disclaimer: The information provided on this page represents TI's knowledge and belief as of the date that it is provided. TI bases its knowledge and belief on information provided by third parties, and makes no representation or warranty as to the accuracy of such information. Efforts are underway to better integrate information from third parties. TI has taken and continues to take reasonable steps to provide representative and accurate information but may not have conducted destructive testing or chemical analysis on incoming materials and chemicals. TI and TI suppliers consider certain information to be proprietary, and thus CAS numbers and other limited information may not be available for release.

In no event shall TI's liability arising out of such information exceed the total purchase price of the TI part(s) at issue in this document sold by TI to Customer on an annual basis.

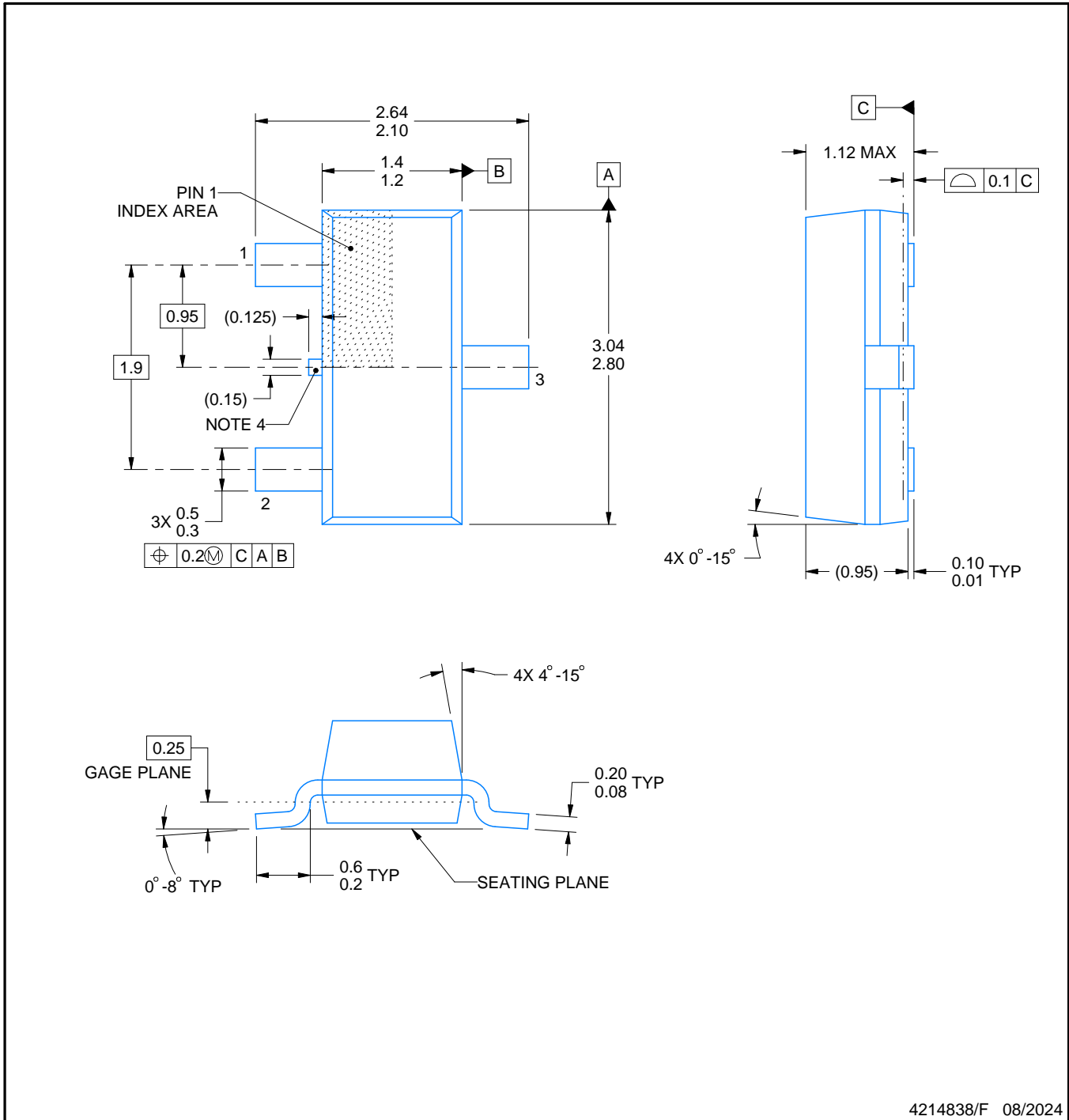
DBZ0003A



PACKAGE OUTLINE

SOT-23 - 1.12 mm max height

SMALL OUTLINE TRANSISTOR



4214838/F 08/2024

NOTES:

1. All linear dimensions are in millimeters. Any dimensions in parenthesis are for reference only. Dimensioning and tolerancing per ASME Y14.5M.
2. This drawing is subject to change without notice.
3. Reference JEDEC registration TO-236, except minimum foot length.
4. Support pin may differ or may not be present.
5. Body dimensions do not include mold flash, protrusions, or gate burrs. Mold flash, protrusions, or gate burrs shall not exceed 0.25mm per side

EXAMPLE BOARD LAYOUT

DBZ0003A

SOT-23 - 1.12 mm max height

SMALL OUTLINE TRANSISTOR



LAND PATTERN EXAMPLE
SCALE:15X



SOLDER MASK DETAILS

4214838/F 08/2024

NOTES: (continued)

5. Publication IPC-7351 may have alternate designs.
6. Solder mask tolerances between and around signal pads can vary based on board fabrication site.

EXAMPLE STENCIL DESIGN

DBZ0003A

SOT-23 - 1.12 mm max height

SMALL OUTLINE TRANSISTOR



SOLDER PASTE EXAMPLE
BASED ON 0.125 THICK STENCIL
SCALE:15X

4214838/F 08/2024

NOTES: (continued)

7. Laser cutting apertures with trapezoidal walls and rounded corners may offer better paste release. IPC-7525 may have alternate design recommendations.
8. Board assembly site may have different recommendations for stencil design.

IMPORTANT NOTICE AND DISCLAIMER

TI PROVIDES TECHNICAL AND RELIABILITY DATA (INCLUDING DATA SHEETS), DESIGN RESOURCES (INCLUDING REFERENCE DESIGNS), APPLICATION OR OTHER DESIGN ADVICE, WEB TOOLS, SAFETY INFORMATION, AND OTHER RESOURCES "AS IS" AND WITH ALL FAULTS, AND DISCLAIMS ALL WARRANTIES, EXPRESS AND IMPLIED, INCLUDING WITHOUT LIMITATION ANY IMPLIED WARRANTIES OF MERCHANTABILITY, FITNESS FOR A PARTICULAR PURPOSE OR NON-INFRINGEMENT OF THIRD PARTY INTELLECTUAL PROPERTY RIGHTS.

These resources are intended for skilled developers designing with TI products. You are solely responsible for (1) selecting the appropriate TI products for your application, (2) designing, validating and testing your application, and (3) ensuring your application meets applicable standards, and any other safety, security, regulatory or other requirements.

These resources are subject to change without notice. TI grants you permission to use these resources only for development of an application that uses the TI products described in the resource. Other reproduction and display of these resources is prohibited. No license is granted to any other TI intellectual property right or to any third party intellectual property right. TI disclaims responsibility for, and you will fully indemnify TI and its representatives against, any claims, damages, costs, losses, and liabilities arising out of your use of these resources.

TI's products are provided subject to [TI's Terms of Sale](#) or other applicable terms available either on [ti.com](https://www.ti.com) or provided in conjunction with such TI products. TI's provision of these resources does not expand or otherwise alter TI's applicable warranties or warranty disclaimers for TI products.

TI objects to and rejects any additional or different terms you may have proposed.

Mailing Address: Texas Instruments, Post Office Box 655303, Dallas, Texas 75265
Copyright © 2024, Texas Instruments Incorporated