

LMZ36002 4.5-V to 60-V Input, 2-A Power Module

1 Features

- Complete Integrated Power Solution Allows Small Footprint, Low-Profile Design
- 10 mm × 10 mm × 4.3 mm Package
- Wide-Output Voltage Adjust (2.5 V to 7.5 V)
- Adjustable Switching Frequency (200 kHz to 1 MHz)
- Synchronizes to an External Clock
- Automatic PFM Mode for Light Load Efficiency
- Adjustable Soft-Start Time
- Output Voltage Sequencing / Tracking
- Power-Good Output
- Programmable Undervoltage Lockout (UVLO)
- Overtemperature Thermal Shutdown Protection
- Overcurrent Protection (Hiccup Mode)
- Prebias Output Start-Up
- Operating Temperature Range: -40°C to 105°C
- Enhanced Thermal Performance: 14°C/W
- Meets EN55022 Class B Emissions – Integrated Shielded Inductor
- Create a Custom Design using the LMZ36002 with the [WEBENCH® Power Designer](#)

2 Applications

- Industrial and Motor Controls
- Automated Test Equipment
- Medical and Imaging Equipment
- High Density Power Systems

3 Description

The LMZ36002 power module is an easy-to-use integrated power supply that combines a 2-A DC/DC converter with a shielded inductor and passives into a low profile, QFN package. This total power solution allows as few as three external components while maintaining an ability to adjust key parameters to meet specific design requirements.

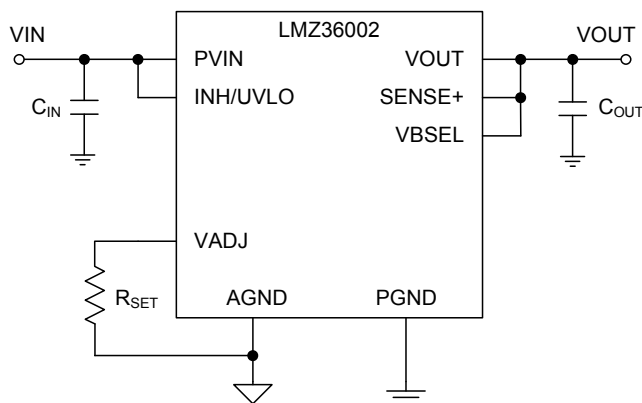
The QFN package is easy to solder to a printed circuit board, allows reflow profiles up to 245°C , and has excellent power dissipation capability. The LMZ36002 offers flexibility with many features and is ideal for powering a wide range of devices and systems.

Device Information⁽¹⁾

| DEVICE NUMBER | PACKAGE | BODY SIZE |
|---------------|----------|--------------------|
| LMZ36002 | QFN (43) | 10.0 mm × 10.00 mm |

(1) For all available packages, see the orderable addendum at the end of the data sheet.

Simplified Application



Efficiency vs Output Current

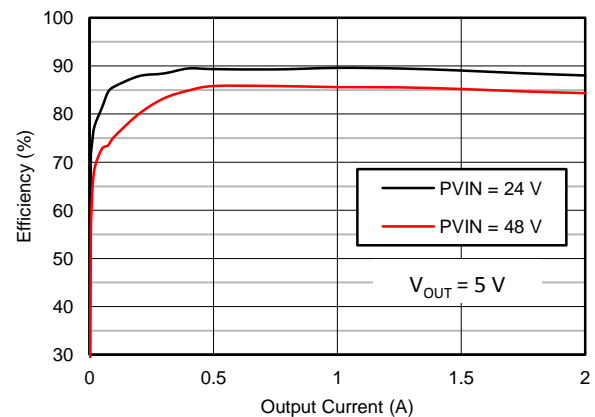


Table of Contents

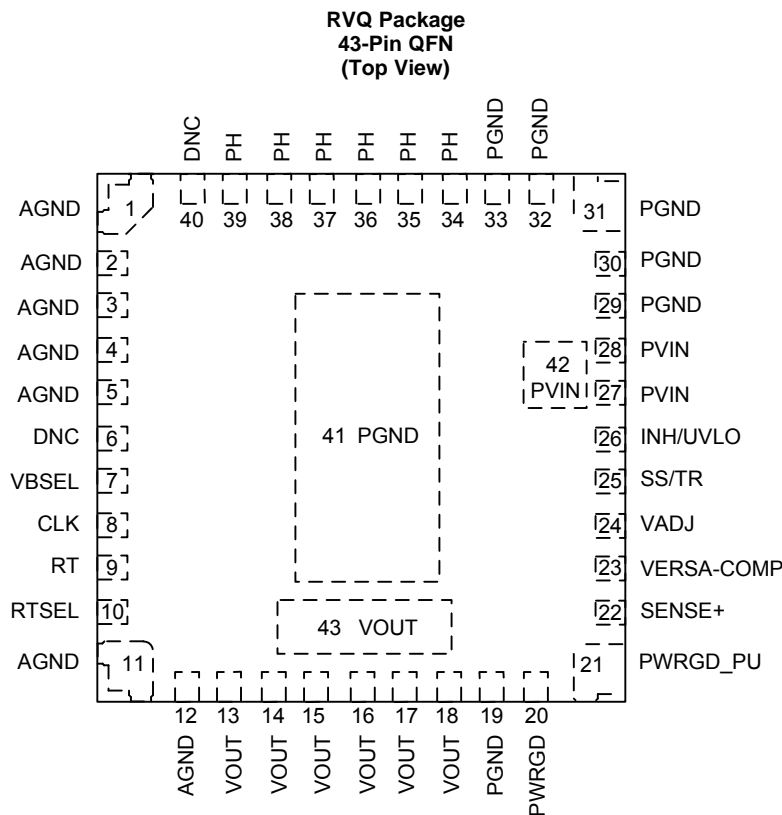
| | |
|---|---|
| 1 Features 1 2 Applications 1 3 Description 1 4 Revision History 2 5 Pin Configuration and Functions 3 6 Specifications 5 6.1 Absolute Maximum Ratings 5 6.2 ESD Ratings 5 6.3 Recommended Operating Conditions 5 6.4 Thermal Information 5 6.5 Electrical Characteristics 6 6.6 Switching Characteristics 7 6.7 Typical Characteristics 8 6.8 Typical Characteristics 9 6.9 Typical Characteristics 10 6.10 Typical Characteristics (Thermal Derating) 11 7 Detailed Description 12 7.1 Overview 12 7.2 Functional Block Diagram 12 | 7.3 Feature Description 13 7.4 Device Functional Modes 20 8 Application and Implementation 21 8.1 Application Information 21 9 Power Supply Recommendations 25 10 Layout 26 10.1 Layout Guidelines 26 10.2 Layout Example 26 10.3 EMI 27 11 Device and Documentation Support 28 11.1 Device Support 28 11.2 Receiving Notification of Documentation Updates 28 11.3 Community Resources 28 11.4 Trademarks 28 11.5 Electrostatic Discharge Caution 28 11.6 Glossary 29 12 Mechanical, Packaging, and Orderable Information 29 12.1 Tape and Reel Information 29 |
|---|---|

4 Revision History

NOTE: Page numbers for previous revisions may differ from page numbers in the current version.

| Changes from Revision C (April 2018) to Revision D | Page |
|--|------|
| • Changed allows reflows "up to 260°C" to "up to 245°C" to match <i>Abs Max</i> table | 1 |
| • Added top navigator link for TI reference design | 1 |
| Changes from Revision B (June 2017) to Revision C | Page |
| • Added WEBENCH® design links for the LMZ36002 | 1 |
| • Increased the peak reflow temperature and maximum number of reflows to JEDEC specifications for improved manufacturability | 5 |
| Changes from Revision A (September 2015) to Revision B | Page |
| • Changed some grammatical errors and fixed some TI formatting to reflect correctly | 1 |
| • Added peak reflow and maximum number of reflows information | 5 |
| Changes from Original (September 2015) to Revision A | Page |
| • Changed from Product Preview to Production Data | 1 |

5 Pin Configuration and Functions



Pin Functions

| PIN | | TYPE (1) | DESCRIPTION |
|----------|----------------------------|----------|---|
| NAME | NO. | | |
| AGND | 1, 2, 3, 4, 5, 11, 12 | G | Zero volt reference for the analog control circuitry. All of these pins are not connected together internal to the device and must be connected to one another externally using an analog ground plane on the PCB. Pins 11 and 12 are internally connected to the PGND of the device at a single point. The analog ground plane of the PCB should allow only analog ground currents to flow through these pins. |
| CLK | 8 | I | Synchronization input to synchronize the device to an external clock. Connect this pin to AGND if not used. |
| DNC | 6, 40 | - | Do Not Connect. Do not connect these pins to AGND, to another DNC pin, or to any other voltage. These pins are connected to internal circuitry. Each pin must be soldered to an isolated pad. |
| INH/UVLO | 26 | I | Inhibit and UVLO adjust pin. Use an open drain or open collector device to control the inhibit function. A resistor divider between this pin, AGND, and PVIN adjusts the UVLO voltage. Connect this pin to PVIN if not used. |
| PGND | 19, 29, 30, 31, 32, 33, 41 | G | This is the return current path for the power stage of the device. Connect these pins to the input source, the load, and to the bypass capacitors associated with PVIN and VOUT using power ground planes on the PCB. Pad 41 should be connected to the ground planes using multiple vias for good thermal performance. |
| PH | 34, 35, 36, 37, 38, 39 | O | Phase switch node. Do not place any external components on these pins or tie them to a pin of another function. |
| PVIN | 27, 28, 42 | I | Power input voltage. These pins supply all of the power to the device. Connect these pins to the input source and connect external bypass capacitors between these pins and PGND close to the device. |
| PWRGD | 20 | O | Power Good flag pin. This open drain output asserts low if the output voltage is more than approximately $\pm 10\%$ out of regulation. This pin is internally connected to an uncommitted 100-k Ω pull-up resistor that can be pulled up to a user-defined voltage applied to the PWRGD_PU pin. |

(1) G = Ground, I = Input, O = Output

Pin Functions (continued)

| PIN | | TYPE ⁽¹⁾ | DESCRIPTION |
|------------|----------------------------------|---------------------|---|
| NAME | NO. | | |
| PWRGD_PU | 21 | I | An internal 100-k Ω pull-up resistor is connected between this pin and the PWRGD pin. If use of this internal pull-up resistor is desired, connect this pin to an appropriate voltage source that is less than or equal to 12 V. If unused, leave this pin floating. |
| RT | 9 | I | This pin is connected to internal frequency setting circuitry which sets the default switching frequency to 500 kHz. An external resistor can be connected from this pin to AGND to adjust the switching frequency. Refer to application section in datasheet. |
| RTSEL | 10 | I | This pin can be used to adjust the switching frequency to 1 MHz without the need for an external resistor. Connect this pin to AGND to adjust the frequency to 1 MHz. Otherwise, leave this pin floating. |
| SENSE+ | 22 | I | Remote sense connection. This pin must be connected to VOUT at the load or at the device pins. Connect the pin to VOUT at the load for improved regulation. |
| SS/TR | 25 | I | soft-start and tracking pin. Connecting an external capacitor to this pin adjusts the output voltage soft-start ramp above its 4.1 ms default setting. A voltage applied to this pin allows for tracking and sequencing control. |
| VADJ | 24 | I | Connecting a resistor between this pin and AGND adjusts the output voltage. |
| VBSEL | 7 | I | Selectable internal bias supply. For output voltages ≥ 4.5 V, connect this pin to VOUT. For output voltages < 4.5 V, connect this pin to AGND. |
| VERSA-COMP | 23 | I | Connects to internal compensation network. This pin can be left floating or connected to the VADJ pin to select the proper compensation depending on the output voltage. |
| VOUT | 13, 14, 15, 16, 17, 18, 43 | O | Output voltage. These pins are connected to the internal output inductor. Connect these pins to the output load and connect external bypass capacitors between these pins and PGND close to the device. |

6 Specifications

6.1 Absolute Maximum Ratings

over operating free-air temperature range (unless otherwise noted)⁽¹⁾

| | | MIN | MAX | UNIT |
|--|--|------|--------------------|------|
| Input voltage | PVIN, INH/UVLO | -0.3 | 65 | V |
| | VOUT, SENSE+, VBSEL | -0.3 | 30 ⁽²⁾ | V |
| | VADJ, VERSA-COMP, RT, RTSEL, SS/TR | -0.3 | 3.6 | V |
| | PWRGD, PWRGD_PU | -0.3 | 15 | V |
| | CLK | -0.3 | 5.5 | V |
| Output voltage | PH | -0.3 | 65 | V |
| Operating junction temperature ⁽³⁾ | | -40 | 125 | °C |
| Storage temperature | | -65 | 150 | °C |
| Peak Reflow Case Temperature ⁽⁴⁾ | | | 245 ⁽⁵⁾ | °C |
| Maximum Number of Reflows Allowed ⁽⁴⁾ | | | 3 ⁽⁵⁾ | |
| Mechanical shock | Mil-STD-883D, Method 2002.3, 1 msec, 1/2 sine, mounted | | 1500 | G |
| Mechanical vibration | Mil-STD-883D, Method 2007.2, 20-2000Hz | | 20 | G |

- (1) Stresses beyond those listed under *Absolute Maximum Ratings* may cause permanent damage to the device. These are stress ratings only, which do not imply functional operation of the device at these or any other conditions beyond those indicated under *Recommended Operating Conditions*. Exposure to absolute-maximum-rated conditions for extended periods may affect device reliability.
- (2) The maximum voltage that can be applied to these pins is 30 V or PV_{IN} , whichever is less.
- (3) See temperature derating curves in the *Typical Characteristics* section for thermal information.
- (4) For soldering specifications, refer to the [Soldering Requirements for BQFN Packages](#) application note.
- (5) Devices with a date code prior to week 14 2018 (1814) have a peak reflow case temperature of 240°C with a maximum of one reflow

6.2 ESD Ratings

| | | VALUE | UNIT |
|-------------|-------------------------|--|-------|
| $V_{(ESD)}$ | Electrostatic discharge | Human-body model (HBM), per ANSI/ESDA/JEDEC JS-001 ⁽¹⁾ | ±1000 |
| | | Charged-device model (CDM), per JEDEC specification JESD22-C101 ⁽²⁾ | ±1000 |

- (1) JEDEC document JEP155 states that 500-V HBM allows safe manufacturing with a standard ESD control process.
- (2) JEDEC document JEP157 states that 250-V CDM allows safe manufacturing with a standard ESD control process.

6.3 Recommended Operating Conditions

over operating free-air temperature range (unless otherwise noted)

| | | MIN | NOM | MAX | UNIT |
|-----------|-------------------------------|-----|-----|------|------|
| PV_{IN} | Input voltage | 4.5 | | 60 | V |
| V_{OUT} | Output voltage | 2.5 | | 7.5 | V |
| f_{SW} | Switching frequency | 200 | | 1000 | kHz |
| T_A | Operating ambient temperature | -40 | | 105 | °C |

6.4 Thermal Information

| THERMAL METRIC ⁽¹⁾ | | LMZ36002 | UNIT |
|-------------------------------|--|-----------|------|
| | | RVQ (QFN) | |
| | | 43 PINS | |
| $R_{\theta JA}$ | Junction-to-ambient thermal resistance | 14 | °C/W |
| Ψ_{JT} | Junction-to-top characterization parameter | 2.6 | °C/W |
| Ψ_{JB} | Junction-to-board characterization parameter | 9 | °C/W |

- (1) For more information about traditional and new thermal metrics, see the *Semiconductor and IC Package Thermal Metrics* application report, [SPRA953](#).

6.5 Electrical Characteristics

Over -40°C to $+105^{\circ}\text{C}$ free-air temperature, $\text{PV}_{\text{IN}} = 24\text{ V}$, $\text{V}_{\text{OUT}} = 5\text{ V}$, $\text{I}_{\text{OUT}} = \text{I}_{\text{OUT(max)}}$, $f_{\text{sw}} = 500\text{ kHz}$, $\text{C}_{\text{IN}1} = 1 \times 10\text{-}\mu\text{F}$, 100-V 1210 ceramic, $\text{C}_{\text{IN}2} = 1 \times 100\text{-}\mu\text{F}$ 100-V electrolytic bulk, and $\text{C}_{\text{OUT}} = 3 \times 47\text{-}\mu\text{F}$, 16-V 1210 ceramic (unless otherwise noted).

| PARAMETER | | TEST CONDITIONS | | MIN | TYP | MAX | UNIT |
|---|--|--|---|--------------------|-------------|--------------------------|---------------|
| INPUT VOLTAGE (PV_{IN}) | | | | | | | |
| PV_{IN} | Input voltage range | Over I_{OUT} range | | 4.5 ⁽¹⁾ | | 60 | V |
| UVLO | PV_{IN} undervoltage lockout | PV _{IN} increasing | | | 3.2 | 3.8 | V |
| | | PV _{IN} decreasing | | | 2.8 | | V |
| OUTPUT VOLTAGE | | | | | | | |
| $\text{V}_{\text{OUT (ADJ)}}$ | Output voltage adjust range | Over I_{OUT} range | | 2.5 | | 7.5 | V |
| V_{OUT} | Set-point voltage tolerance | $T_A = 25^{\circ}\text{C}$, $\text{I}_{\text{OUT}} = 300\text{ mA}$ | | | $\pm 0.7\%$ | ± 1.5 ⁽²⁾ | |
| | Temperature variation | $-40^{\circ}\text{C} \leq T_A \leq 105^{\circ}\text{C}$, $\text{I}_{\text{OUT}} = 0\text{ A}$ | | | $\pm 0.9\%$ | | |
| | Line regulation | $T_A = 25^{\circ}\text{C}$, Over PV_{IN} range, $\text{I}_{\text{OUT}} = 300\text{ mA}$ | | | $\pm 0.1\%$ | | |
| | Load regulation | $T_A = 25^{\circ}\text{C}$, $\text{I}_{\text{OUT}} = 300\text{ mA}$ to $\text{I}_{\text{OUT max}}$ | | | $\pm 0.3\%$ | | |
| | Total output voltage variation | Includes set-point, line, load, and temperature | | | $\pm 2\%$ | | |
| $\text{V}_{\text{OUT ripple}}$ | Output voltage ripple | 20-MHz Bandwidth | | | 10% | | mV/pp |
| OUTPUT CURRENT | | | | | | | |
| I_{OUT} | Output current | $T_A = 105^{\circ}\text{C}$, natural convection | | 0 | | 1.5 | A |
| I_{OUT} | Output current | $T_A = 105^{\circ}\text{C}$, 200LFM | | 0 | | 2 | A |
| I_{OUT} | Output current | $T_A = 95^{\circ}\text{C}$, natural convection | | 0 | | 2 | A |
| I_{LIM} | Overcurrent threshold | | | | 2.5 | | A |
| PERFORMANCE | | | | | | | |
| η | Efficiency | $\text{PV}_{\text{IN}} = 12\text{ V}$ $\text{I}_{\text{OUT}} = 1\text{ A}$ | $\text{V}_{\text{OUT}} = 7.5\text{ V}$, $f_{\text{SW}} = 400\text{ kHz}$ | | 95% | | |
| | | | $\text{V}_{\text{OUT}} = 5\text{ V}$, $f_{\text{SW}} = 200\text{ kHz}$ | | 93% | | |
| | | | $\text{V}_{\text{OUT}} = 5\text{ V}$, $f_{\text{SW}} = 500\text{ kHz}$ | | 92% | | |
| | | | $\text{V}_{\text{OUT}} = 3.3\text{ V}$, $f_{\text{SW}} = 200\text{ kHz}$ | | 90% | | |
| | | | $\text{V}_{\text{OUT}} = 2.5\text{ V}$, $f_{\text{SW}} = 200\text{ kHz}$ | | 87% | | |
| | | $\text{PV}_{\text{IN}} = 24\text{ V}$ $\text{I}_{\text{OUT}} = 1\text{ A}$ | $\text{V}_{\text{OUT}} = 7.5\text{ V}$, $f_{\text{SW}} = 400\text{ kHz}$ | | 92% | | |
| | | | $\text{V}_{\text{OUT}} = 5\text{ V}$, $f_{\text{SW}} = 250\text{ kHz}$ | | 90% | | |
| | | | $\text{V}_{\text{OUT}} = 5\text{ V}$, $f_{\text{SW}} = 500\text{ kHz}$ | | 88% | | |
| | | | $\text{V}_{\text{OUT}} = 3.3\text{ V}$, $f_{\text{SW}} = 250\text{ kHz}$ | | 86% | | |
| | | | $\text{V}_{\text{OUT}} = 2.5\text{ V}$, $f_{\text{SW}} = 250\text{ kHz}$ | | 81% | | |
| | Transient response | $\text{I}_{\text{OUT}} = 50\%$ load step $1\text{ A}/\mu\text{s}$ slew rate | Recovery time | | 100 | | μs |
| | | | Over/Undershoot | | 2% | | |
| SLOW START | | | | | | | |
| t_{SS} | Internal soft-start time | SS/TR pin open | | | 4.1 | | ms |
| INHIBIT | | | | | | | |
| $\text{V}_{\text{INH (high)}}$ | Inhibit control | Precision inhibit level | | 2.00 | 2.1 | 2.42 | V |
| $\text{V}_{\text{INH (hys)}}$ | | Inhibit turn-off hysteresis | | | -0.294 | | V |
| I_i (shutdown) | Input shutdown supply current | INH/UVLO pin connected to AGND | | | 2.4 | 6.2 ⁽³⁾ | μA |
| POWER GOOD (PWRGD) | | | | | | | |
| V_{PWRGD} | PWRGD thresholds | V_{OUT} rising | Good | | 95% | | |
| | | | Fault | | 110% | | |
| | | V_{OUT} falling | Fault | | 90% | | |
| | | | Good | | 105% | | |

(1) The minimum PV_{IN} is 4.5 V or $(\text{V}_{\text{OUT}} / 0.75)$, whichever is greater. For $\text{V}_{\text{OUT}} = 3.3\text{ V}$, the minimum PV_{IN} is 4.75 V when $\text{I}_{\text{OUT}} > 1.5\text{ A}$.

(2) The stated limit of the set-point voltage tolerance includes the tolerance of both the internal voltage reference and the internal adjustment resistor. The overall output voltage tolerance is affected by the tolerance of the external R_{SET} resistor.

(3) Specified by design. Not production tested.

Electrical Characteristics (continued)

Over -40°C to $+105^{\circ}\text{C}$ free-air temperature, $PV_{\text{IN}} = 24\text{ V}$, $V_{\text{OUT}} = 5\text{ V}$, $I_{\text{OUT}} = I_{\text{OUT(max)}}$, $f_{\text{sw}} = 500\text{ kHz}$, $C_{\text{IN}1} = 1 \times 10\text{-}\mu\text{F}$, 100-V 1210 ceramic, $C_{\text{IN}2} = 1 \times 100\text{-}\mu\text{F}$ 100-V electrolytic bulk, and $C_{\text{OUT}} = 3 \times 47\text{-}\mu\text{F}$, 16-V 1210 ceramic (unless otherwise noted).

| PARAMETER | | TEST CONDITIONS | MIN | TYP | MAX | UNIT |
|---------------------------------|-----------------------------|------------------------------------|-------------------|-----|---------------------|--------------------|
| THERMAL SHUTDOWN | | | | | | |
| T_{SHUTDOWN} | Thermal shutdown | Shutdown Temperature | | 160 | | $^{\circ}\text{C}$ |
| | | Hysteresis | | 10 | | $^{\circ}\text{C}$ |
| INPUT/OUTPUT CAPACITANCE | | | | | | |
| C_{IN} | External input capacitance | ceramic | 10 ⁽⁴⁾ | | | μF |
| | | non-ceramic | | 100 | | μF |
| C_{OUT} | External output capacitance | Ceramic | 64 ⁽⁵⁾ | | Note ⁽⁶⁾ | μF |
| | | Non-ceramic | | 100 | Note ⁽⁶⁾ | μF |
| | | ceramic + non-ceramic | | | Note ⁽⁶⁾ | μF |
| | | Equivalent series resistance (ESR) | | | 20 | $\text{m}\Omega$ |

- (4) The specified minimum ceramic input capacitance represents the standard capacitance value. The actual effective capacitance after considering the effects of DC bias and temperature variation should be $\geq 4.7\ \mu\text{F}$.
- (5) The amount of required output capacitance varies depending on the output voltage (see [Output Capacitor Selection](#)). The minimum required output capacitance must be comprised of ceramic capacitance. The amount of required ceramic capacitance represents the standard capacitance value. Locate the capacitance close to the device. Adding additional ceramic or non-ceramic capacitance close to the load improves the response of the regulator to load transients.
- (6) The maximum allowable output capacitance varies depending on the output voltage (see [Output Capacitor Selection](#)).

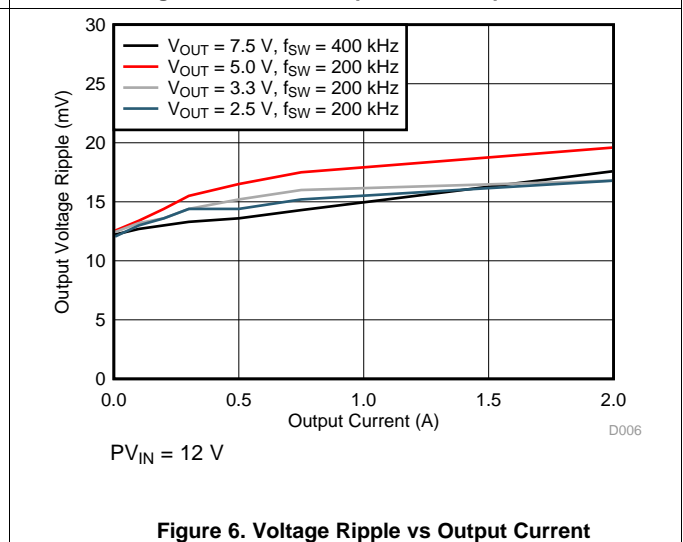
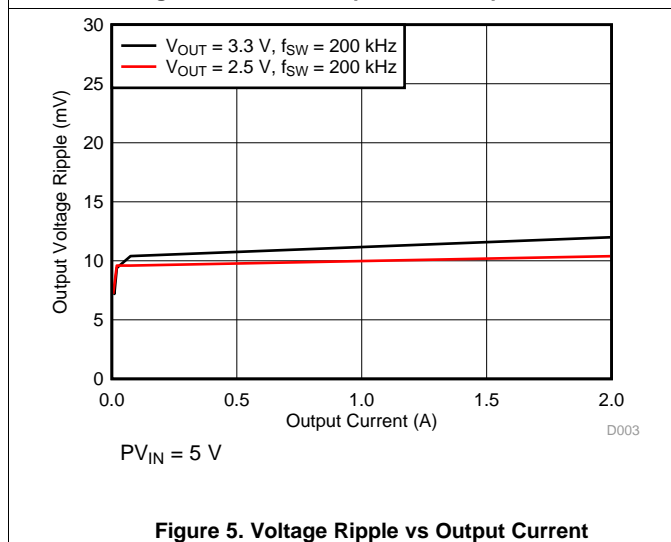
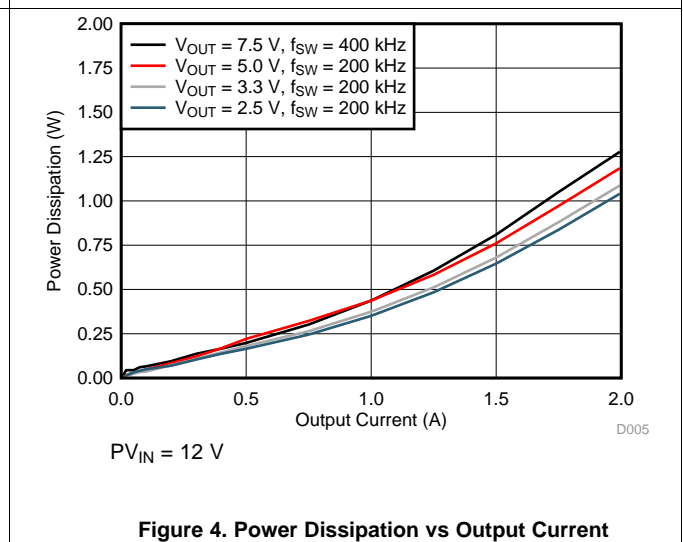
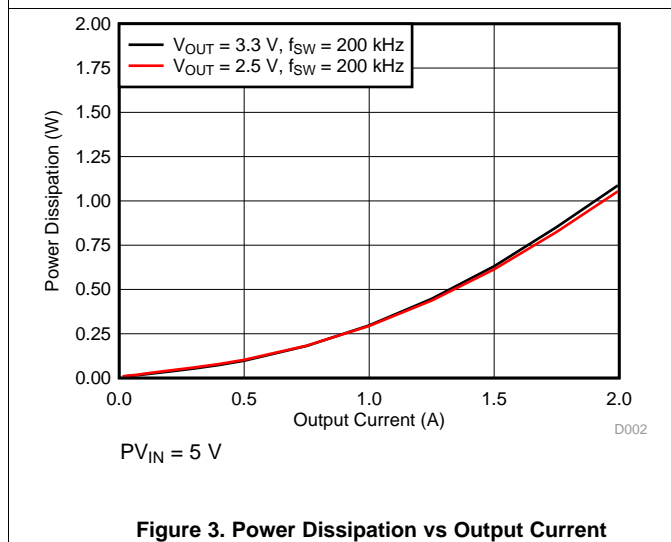
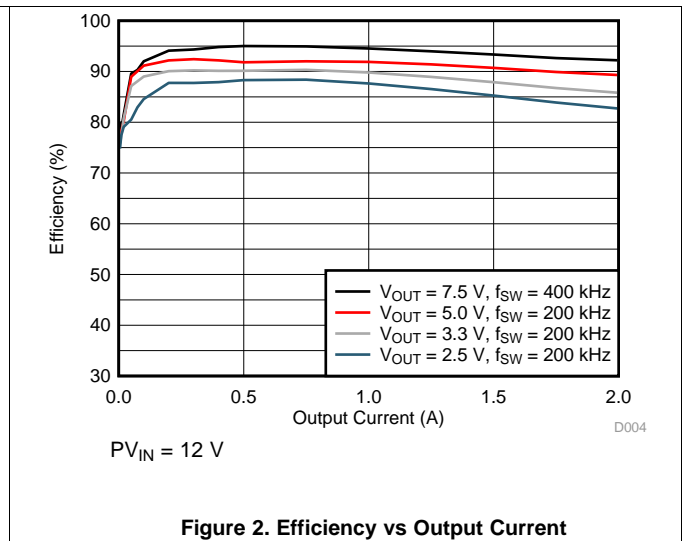
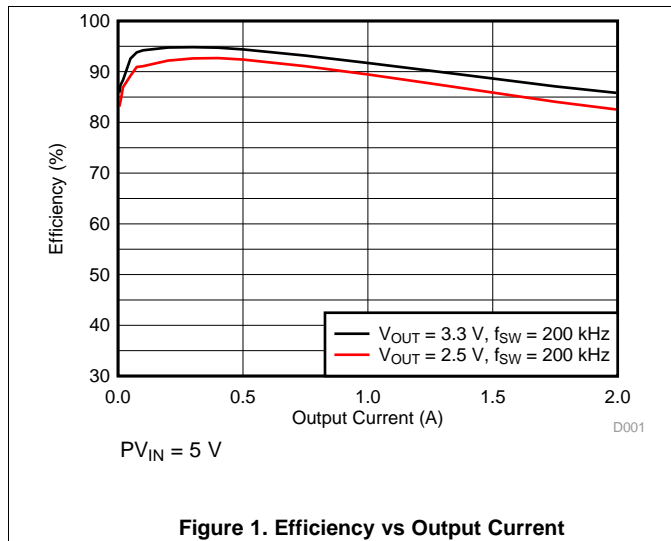
6.6 Switching Characteristics

over operating free-air temperature range (unless otherwise noted)

| PARAMETER | | TEST CONDITIONS | MIN | TYP | MAX | UNIT |
|--------------------|---------------------|---------------------------|-----|-----|------|------|
| f_{sw} | Switching frequency | RT and RTSEL pins open | 410 | 500 | 590 | kHz |
| f_{CLK} | CLK Control | Synchronization frequency | 200 | | 1000 | kHz |
| $V_{\text{CLK-H}}$ | | CLK high level | 2 | | 5.5 | V |
| $V_{\text{CLK-L}}$ | | CLK low level | | | 0.4 | V |
| D_{CLK} | | CLK duty cycle | 10% | 50% | 90% | |

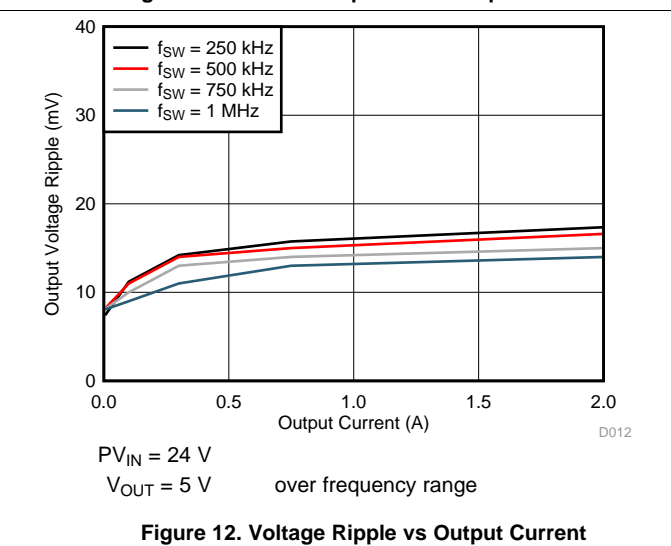
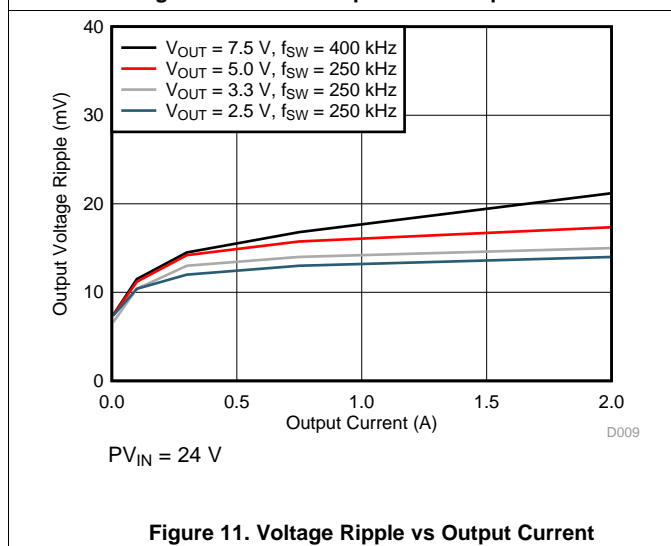
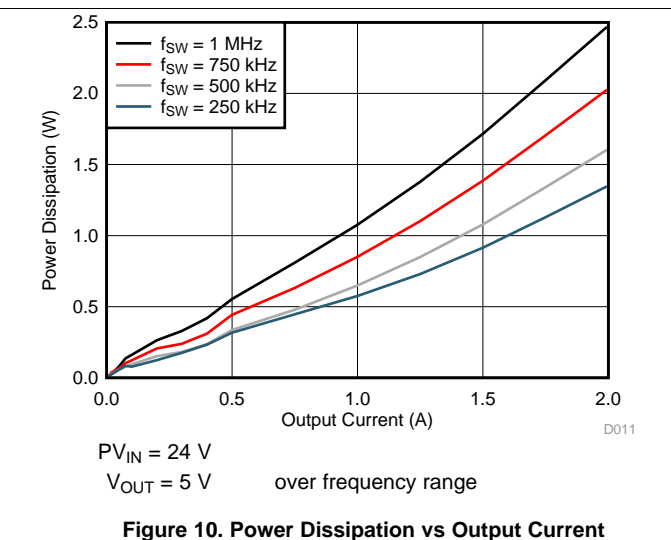
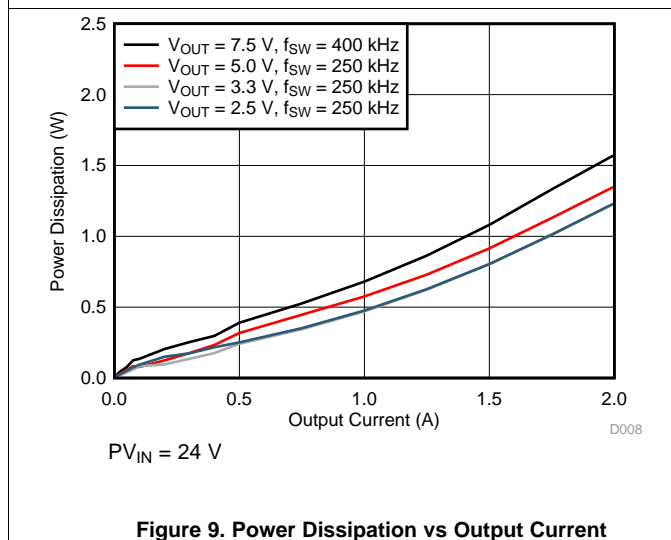
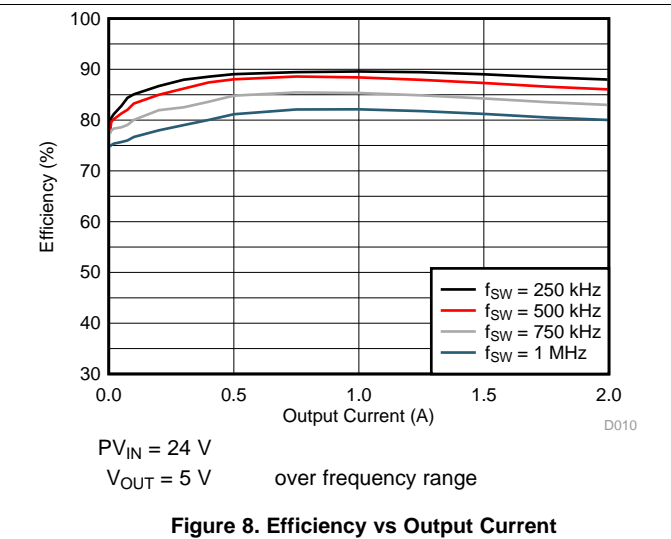
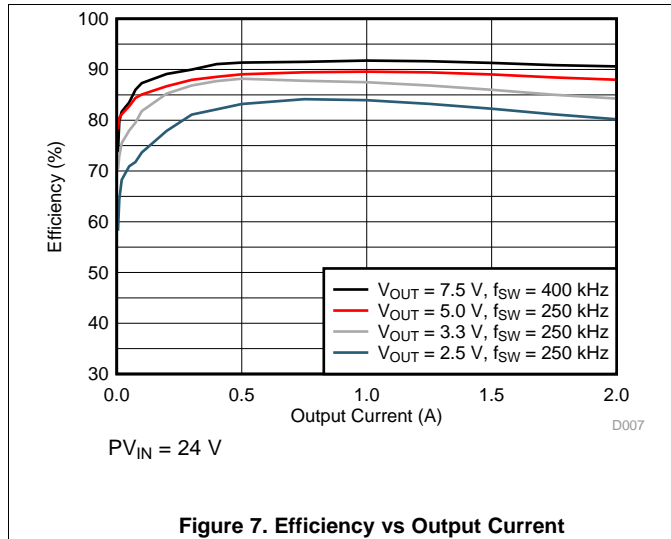
6.7 Typical Characteristics

T_A = 25°C, unless otherwise noted.



6.8 Typical Characteristics

T_A = 25°C, unless otherwise noted.



6.9 Typical Characteristics

T_A = 25°C, unless otherwise noted.

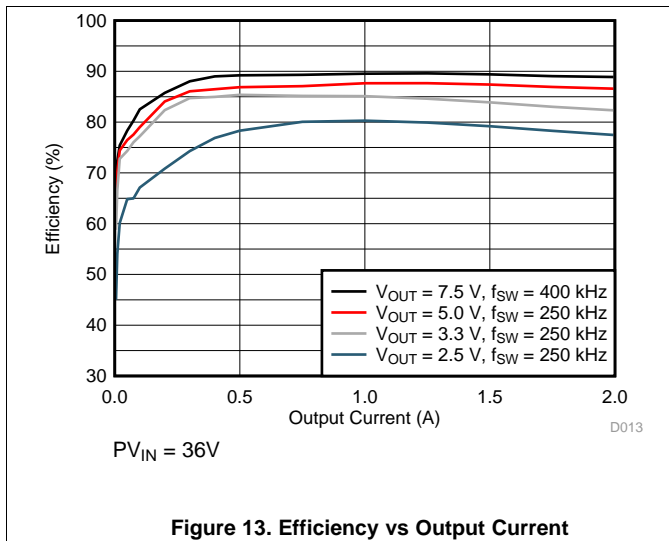


Figure 13. Efficiency vs Output Current

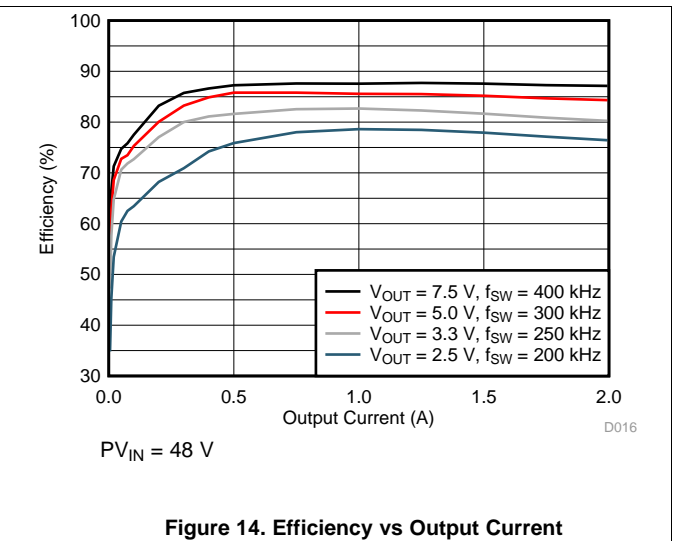


Figure 14. Efficiency vs Output Current

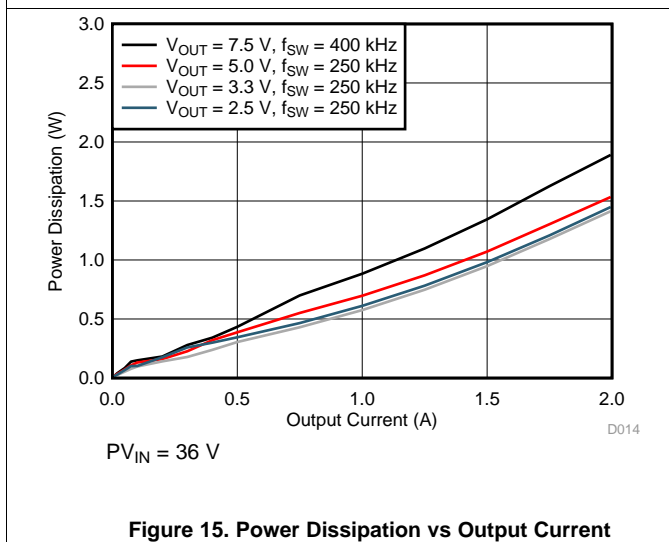


Figure 15. Power Dissipation vs Output Current

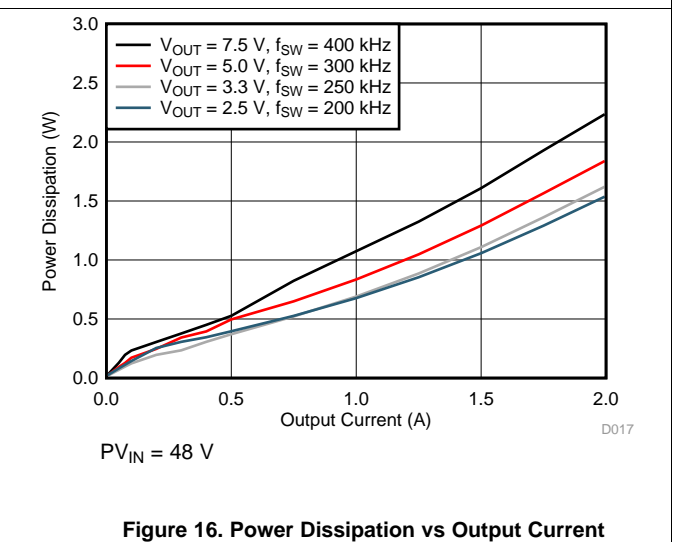


Figure 16. Power Dissipation vs Output Current

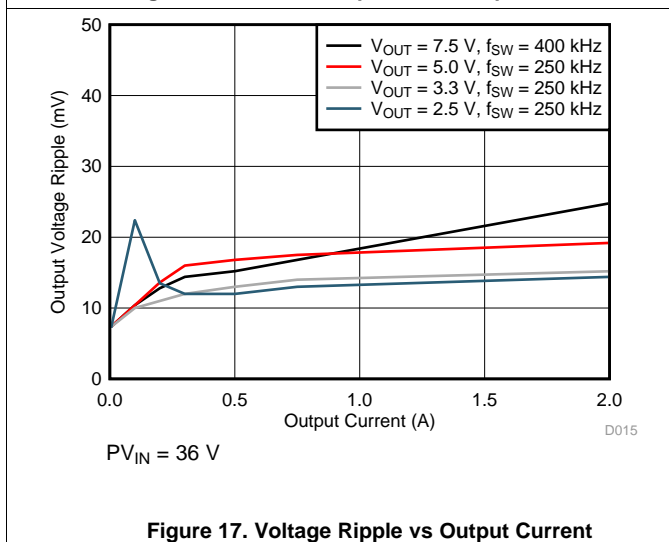


Figure 17. Voltage Ripple vs Output Current

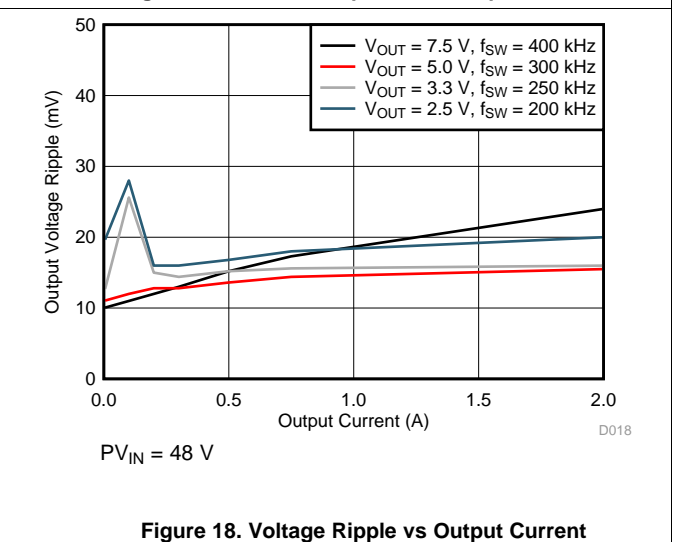
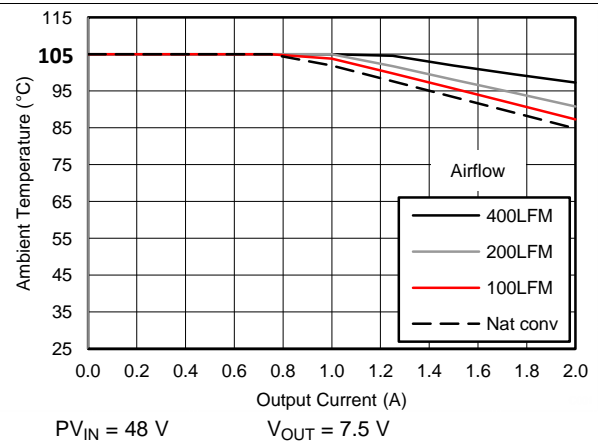
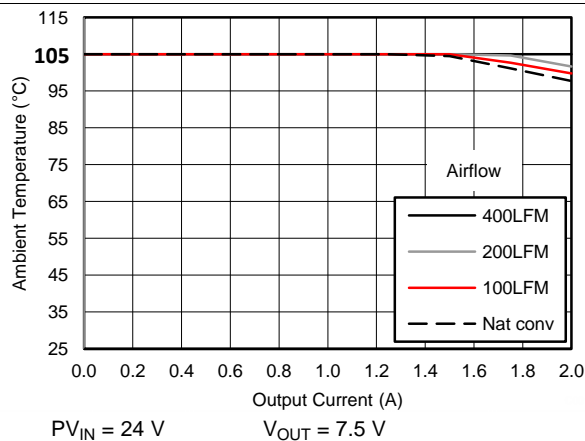
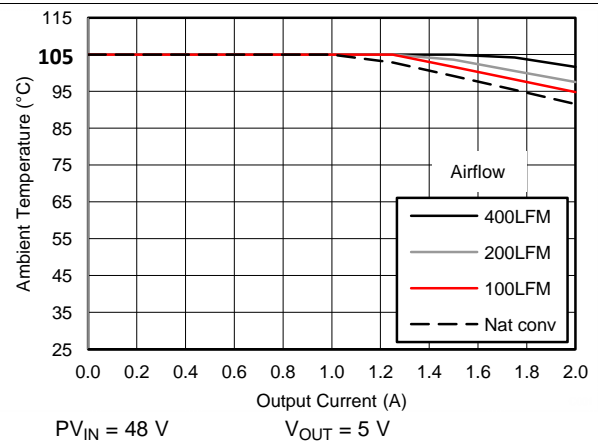
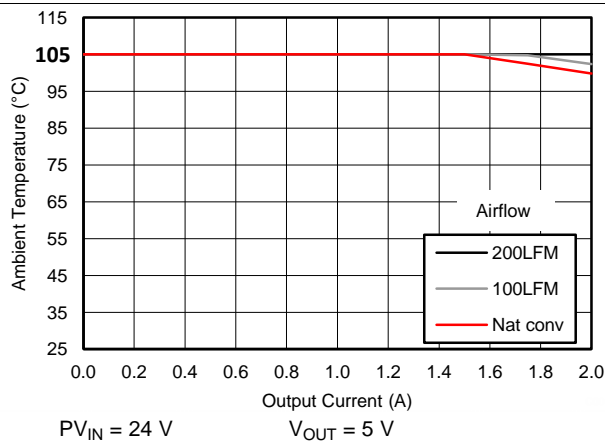
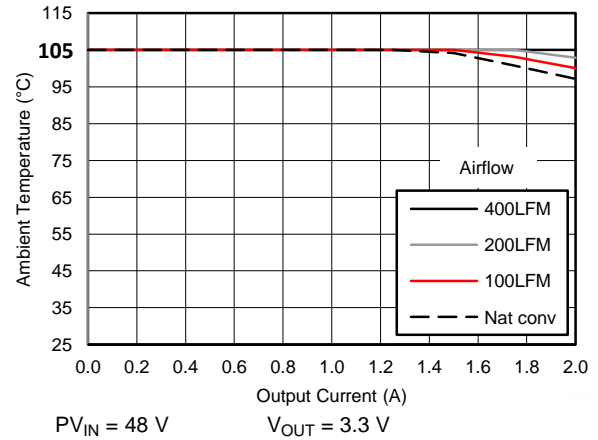
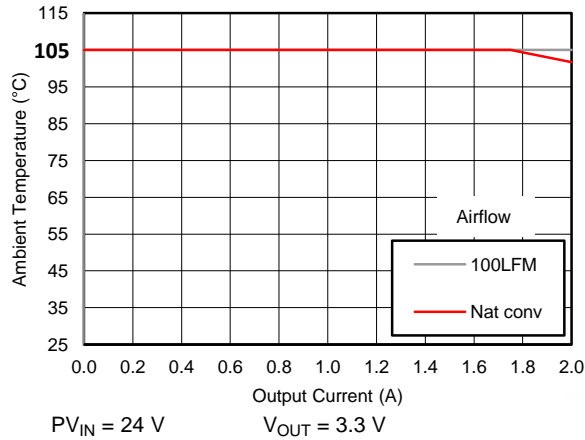


Figure 18. Voltage Ripple vs Output Current

6.10 Typical Characteristics (Thermal Derating)

The temperature derating curves represent the conditions at which internal components are at or below the manufacturer's maximum operating temperatures. Derating limits apply to devices soldered directly to a 50 mm x 100 mm, 4-layer PCB with 2 oz. copper.

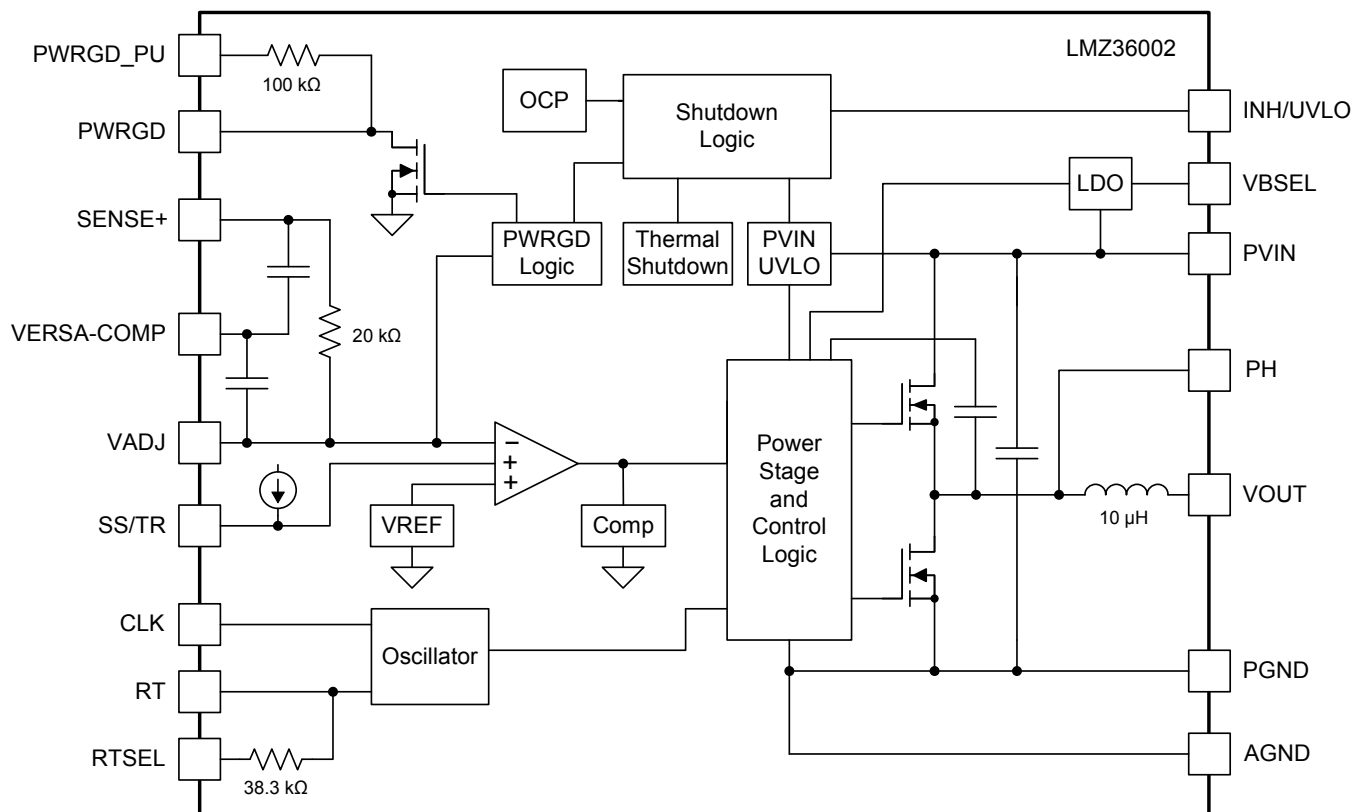


7 Detailed Description

7.1 Overview

The LMZ36002 is a full featured 60-V input, 2-A, synchronous step down converter with PWM, MOSFETs, inductor, and control circuitry integrated into a low-profile, overmolded package. This device enables small designs by integrating all but the input and output capacitors, while still leaving the ability to adjust key parameters to meet specific design requirements. The LMZ36002 provides a 3x output voltage range of 2.5 V to 7.5 V. A single external resistor is used to adjust the output voltage to the desired output. The switching frequency is also adjustable by using an external resistor or a synchronization pulse to accommodate various input and output voltage conditions and to optimize efficiency. The device provides accurate voltage regulation for a variety of loads by using an internal voltage reference that is 2% accurate over temperature. Input under-voltage lockout is internally set at 3.2 V, but can be adjusted upward using a resistor divider on the INH/UVLO pin of the device. The INH/UVLO pin can also be pulled low to put the device in standby mode to reduce input quiescent current. The device provides a power good signal to indicate when the output is within $\pm 5\%$ of its nominal voltage. Thermal shutdown and current limit features protect the device during an overload condition. Automatic PFM mode improves light-load efficiency. A 43-pin, QFN, package that includes exposed bottom pads provides a thermally enhanced solution for space-constrained applications.

7.2 Functional Block Diagram



7.3 Feature Description

7.3.1 Adjusting the Output Voltage

The VADJ pin sets the output voltage of the LMZ36002. The output voltage adjustment range is from 2.5 V to 7.5 V. The switching frequency range for any output voltage must be determined from [Table 4](#) or [Table 5](#). The adjustment method requires the addition of R_{SET} , which sets the output voltage, and the connection of SENSE+ to VOUT. The R_{SET} resistor must be connected directly between the VADJ (pin 24) and AGND. The SENSE+ pin (pin 22) must be connected to VOUT either at the load for improved regulation or at VOUT of the device. [Table 1](#) lists the standard external R_{SET} resistor for a number of common bus voltages.

Table 1. Standard R_{SET} Resistor Values for Common Output Voltages

| R_{SET} (k Ω) | OUTPUT VOLTAGE V_{OUT} (V) | | | | |
|-------------------------|------------------------------|------|------|------|------|
| | 2.5 | 3.3 | 5.0 | 6.0 | 7.5 |
| | 13.7 | 8.87 | 5.11 | 4.02 | 3.09 |

For other output voltages, the value of the required resistor can either be calculated using the following formula, or simply selected from the range of values given in [Table 2](#).

$$R_{SET} = \frac{20}{\left[\left(\frac{V_{OUT}}{1.011} \right) - 1 \right]} \text{ (k}\Omega\text{)} \quad (1)$$

Table 2. Standard R_{SET} Resistor Values

| V_{OUT} (V) | R_{SET} (k Ω) | V_{OUT} (V) | R_{SET} (k Ω) |
|---------------|-------------------------|---------------|-------------------------|
| 2.5 | 13.7 | 5.1 | 4.99 |
| 2.6 | 12.7 | 5.2 | 4.87 |
| 2.7 | 11.8 | 5.3 | 4.75 |
| 2.8 | 11.3 | 5.4 | 4.64 |
| 2.9 | 10.7 | 5.5 | 4.53 |
| 3.0 | 10.2 | 5.6 | 4.42 |
| 3.1 | 9.76 | 5.7 | 4.32 |
| 3.2 | 9.31 | 5.8 | 4.22 |
| 3.3 | 8.87 | 5.9 | 4.12 |
| 3.4 | 8.45 | 6.0 | 4.02 |
| 3.5 | 8.06 | 6.1 | 3.97 |
| 3.6 | 7.87 | 6.2 | 3.92 |
| 3.7 | 7.50 | 6.3 | 3.83 |
| 3.8 | 7.32 | 6.4 | 3.74 |
| 3.9 | 6.98 | 6.5 | 3.65 |
| 4.0 | 6.81 | 6.6 | 3.61 |
| 4.1 | 6.49 | 6.7 | 3.57 |
| 4.2 | 6.34 | 6.8 | 3.48 |
| 4.3 | 6.19 | 6.9 | 3.40 |
| 4.4 | 5.90 | 7.0 | 3.36 |
| 4.5 | 5.76 | 7.1 | 3.32 |
| 4.6 | 5.62 | 7.2 | 3.24 |
| 4.7 | 5.49 | 7.3 | 3.20 |
| 4.8 | 5.36 | 7.4 | 3.16 |
| 4.9 | 5.23 | 7.5 | 3.09 |
| 5.0 | 5.11 | | |

7.3.2 Switching Frequency (RT)

The switching frequency range of the LMZ36002 is 200 kHz to 1 MHz. Not all PV_{IN} , V_{OUT} , and I_{OUT} conditions can be set to all of the frequencies in this range. See [Recommended Operating Range](#) for the allowable operating ranges. The switching frequency can easily be set one of three ways. First, leaving the RT pin (pin 9) and RTSEL pin (pin 10) floating (OPEN) allows operation at the default switching frequency of 500 kHz. Also, connecting the RTSEL pin to AGND while floating the RT pin, sets the switching frequency to 1 MHz. The option is also available to set the switching frequency to any frequency in the range of 200 kHz to 1 MHz, by connecting a resistor (R_{RT}) between the RT pin and AGND, while floating the RTSEL pin. See [Table 3](#) below for standard resistor values for setting the switching frequency or use [Equation 2](#) to calculate R_{RT} for additional switching frequencies.

Table 3. Switching Frequency R_{RT} Values

| Switching Frequency | R_{RT} (k Ω) |
|---------------------|--|
| 250 kHz | 158 |
| 500 kHz | 78.7 or (RT pin OPEN, RTSEL pin OPEN) |
| 750 kHz | 53.6 |
| 1 MHz | 38.3 or (RT pin OPEN, RTSEL pin to AGND) |

$$R_{RT} = \frac{40200}{F_{sw}(kHz)} - 0.6 \text{ (k}\Omega\text{)} \quad (2)$$

7.3.3 Recommended Operating Range

[Table 4](#) and [Table 5](#) below show the allowable switching frequencies for a given range of output voltages. Reference [Table 4](#) for applications where the maximum output current is 1.75 A or less. Reference [Table 5](#) for applications that the output current is greater than 1.75 A. Notice that applications requiring less than 1.75 A can operate over a much wider range of switching frequencies. For the most efficient solution, always operate at the lowest allowable frequency.

**Table 4. Switching Frequency vs Output Voltage
Output Current ≤ 1.75 A**

| V_{OUT} RANGE (V) | SWITCHING FREQUENCY RANGE (kHz) | | | | | | | |
|---------------------|---------------------------------|------|------------------|------|------------------|------|------------------|-----|
| | $PV_{IN} = 12$ V | | $PV_{IN} = 24$ V | | $PV_{IN} = 36$ V | | $PV_{IN} = 48$ V | |
| | MIN | MAX | MIN | MAX | MIN | MAX | MIN | MAX |
| 2.5 - 3.5 V | 200 | 1000 | 200 | 600 | 200 | 400 | 200 | 300 |
| >3.5 - 4.5 V | 200 | 1000 | 200 | 850 | 200 | 550 | 200 | 400 |
| >4.5 - 5.5 V | 200 | 1000 | 200 | 1000 | 200 | 750 | 200 | 550 |
| >5.5 - 6.5 V | 300 | 1000 | 200 | 1000 | 200 | 1000 | 200 | 630 |
| >6.5 - 7.5 V | 300 | 900 | 300 | 1000 | 300 | 950 | 300 | 800 |

**Table 5. Switching Frequency vs Output Voltage
Output Current > 1.75 A**

| V_{OUT} RANGE (V) | SWITCHING FREQUENCY RANGE (kHz) | | | | | | | |
|---------------------|---------------------------------|-----|------------------|-----|------------------|-----|------------------|-----|
| | $PV_{IN} = 12$ V | | $PV_{IN} = 24$ V | | $PV_{IN} = 36$ V | | $PV_{IN} = 48$ V | |
| | MIN | MAX | MIN | MAX | MIN | MAX | MIN | MAX |
| 2.5 - 3.5 V | 200 | 450 | 200 | 500 | 200 | 400 | 200 | 300 |
| >3.5 - 4.5 V | 200 | 500 | 200 | 600 | 200 | 550 | 200 | 400 |
| >4.5 - 5.5 V | 200 | 500 | 200 | 650 | 200 | 700 | 200 | 550 |
| >5.5 - 6.5 V | 300 | 500 | 250 | 700 | 250 | 800 | 250 | 650 |
| >6.5 - 7.5 V | 300 | 400 | 300 | 750 | 300 | 800 | 300 | 800 |

7.3.4 Synchronization (CLK)

The LMZ36002 switching frequency can also be synchronized to an external clock from 200 kHz to 1 MHz. Not all V_{IN} , V_{OUT} , and I_{OUT} conditions can be set to all of the frequencies in this range. See [Recommended Operating Range](#) section for the allowable operating ranges.

To implement the synchronization feature, connect a clock signal to the CLK pin with a duty cycle between 10% and 90%. The clock signal amplitude must transition lower than 0.4 V and higher than 2.0 V. The start of the switching cycle is synchronized to the rising edge of CLK pin. Before the external clock is present the device operates in RT mode and the switching frequency is set by R_{RT} resistor. Select R_{RT} to set the frequency close to the external synchronization frequency. When the external clock is present, the CLK mode overrides the RT mode. If the external clock is removed or fails at logic high or low, the LMZ36002 will switch at the frequency programmed by the R_{RT} resistor after a time-out period. Connect the CLK pin (pin 8) to AGND if not used.

7.3.5 Output Capacitor Selection

The minimum required and maximum output capacitance of the LMZ36002 is a function of the output voltage as shown in [Table 6](#). Additionally, the output voltage will determine the Versa-Comp configuration (see [VERSA-COMP Pin Configurations](#)), which is also included in [Table 6](#). The capacitance values listed in [Table 6](#) are the specified capacitance values. The effects of DC bias and temperature variation must be considered when using ceramic capacitance. For ceramic capacitors, package size, voltage rating, and dielectric material will contribute to differences between the specified value and the actual effective value of the capacitance. $C_{OUT(min)}$ must be comprised of ceramic type capacitors. Additional capacitance, not exceeding $C_{OUT(max)}$, may be ceramic type or low-ESR polymer type. See [Table 7](#) for a preferred list of output capacitors by vendor.

Table 6. Required Output Capacitance

| V_{OUT} (V) | MINIMUM REQUIRED C_{OUT} (μ F) ⁽¹⁾ ⁽²⁾ | MAXIMUM C_{OUT} (μ F) ⁽²⁾ | Versa-Comp Connection |
|---------------|---|---|-----------------------|
| 2.5 | 64 | 350 | Leave OPEN |
| 3.3 | 64 | 350 | Connect to VADJ |
| 5.0 | 64 | 350 | Connect to VADJ |
| 6.0 | 64 | 200 | Connect to VADJ |
| 7.5 | 100 | 200 | Connect to VADJ |

- (1) Minimum required output capacitance must be comprised of ceramic capacitance.
 (2) C_{OUT} values represent specified capacitance values.

Table 7. Recommended Output Capacitors⁽¹⁾

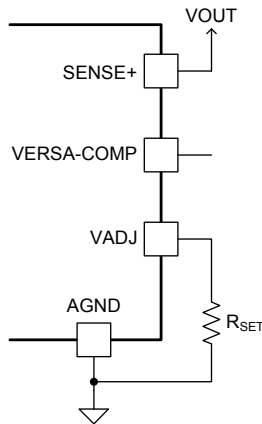
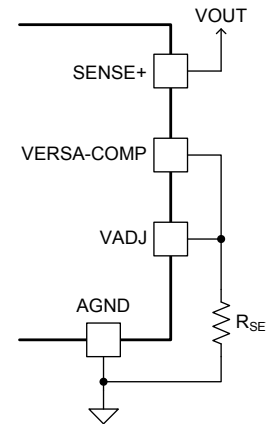
| VENDOR | SERIES | PART NUMBER | CAPACITOR CHARACTERISTICS | | |
|-----------|--------|--------------------|---------------------------|---------------------------------------|----------------------------------|
| | | | WORKING VOLTAGE (V) | CAPACITANCE ⁽²⁾ (μ F) | ESR ⁽³⁾ (m Ω) |
| TDK | X5R | C3225X5R1C106K | 16 | 10 | 2 |
| Murata | X5R | GRM32ER61C106K | 16 | 10 | 2 |
| TDK | X5R | C3225X5R1C226M | 16 | 22 | 2 |
| Murata | X5R | GRM32ER61C226K | 16 | 22 | 2 |
| TDK | X5R | C3225X5R1A476M | 10 | 47 | 2 |
| Murata | X5R | GRM32ER61C476K | 16 | 47 | 3 |
| TDK | X5R | C3225X5R0J107M | 6.3 | 100 | 2 |
| Murata | X5R | GRM32ER60J107M | 6.3 | 100 | 2 |
| Murata | X5R | GRM32ER61A107M | 10 | 100 | 2 |
| Kemet | X5R | C1210C107M4PAC7800 | 16 | 100 | 2 |
| Panasonic | POSCAP | 6TPE100MI | 6.3 | 100 | 18 |
| Panasonic | POSCAP | 6TPF220M9L | 6.3 | 220 | 9 |
| Panasonic | POSCAP | 6TPE220ML | 6.3 | 220 | 12 |

- (1) **Capacitor Supplier Verification, RoHS, Lead-free and Material Details**
 Consult capacitor suppliers regarding availability, material composition, RoHS and lead-free status, and manufacturing process requirements for any capacitors identified in this table.
 (2) Specified capacitance values.
 (3) Maximum ESR @ 100kHz, 25°C.

7.3.6 VERSA-COMP Pin Configurations

The versa-comp feature of the LMZ36002 allows a simple method to adjust the internal compensation network to provide the optimized phase and gain margin based on the output voltage. This easy-to-use feature requires no external components and is implemented by the simple configuration of two adjacent pins on the module.

The versa-comp feature must be configured in one of two ways; VERSA-COMP pin left open or VERSA-COMP pin tied to VADJ. The output voltage determines the appropriate VERSA-COMP pin configuration. Table 8 lists the VERSA-COMP configuration. Figure 25 and Figure 26 show the two possible VERSA-COMP pin configurations.


Figure 25. VERSA-COMP Open

Figure 26. VERSA-COMP to VADJ
Table 8. VERSA-COMP Pin Configurations

| V _{OUT} RANGE (V) | | VERSA-COMP PIN CONFIGURATION |
|----------------------------|-------|------------------------------|
| MIN | MAX | |
| 2.5 | < 3.0 | OPEN |
| 3.0 | 7.5 | Connect to VADJ |

7.3.7 Input Capacitor Selection

The LMZ36002 requires a ceramic capacitor with a minimum effective input capacitance of 4.7 μF . Use only high-quality ceramic type X5R or X7R capacitors with sufficient voltage rating. An additional 100 μF of non-ceramic capacitance is recommended for applications with transient load requirements. The voltage rating of input capacitors must be greater than the maximum input voltage. To compensate the derating of ceramic capacitors, a voltage rating of twice the maximum input voltage is recommended. At worst case, when operating at 50% duty cycle and maximum load, the combined ripple current rating of the input capacitors must be at least 1.0 Arms. Table 9 includes a preferred list of capacitors by vendor.

Table 9. Recommended Input Capacitors⁽¹⁾

| VENDOR | SERIES | PART NUMBER | CAPACITOR CHARACTERISTICS | | |
|-----------|--------|----------------|---------------------------|--|----------------------------------|
| | | | WORKING VOLTAGE (V) | CAPACITANCE ⁽²⁾ (μF) | ESR ⁽³⁾ (m Ω) |
| TDK | X5R | C3225X5R1H106K | 50 | 10 | 3 |
| Murata | X7R | GRM32ER71H106K | 50 | 10 | 2 |
| Murata | X7R | GRM32ER71J106K | 63 | 10 | 2 |
| Panasonic | ZA | EEHZA1H101P | 50 | 100 | 28 |
| Panasonic | ZA | EEHZA1J560P | 63 | 56 | 30 |

- (1) **Capacitor Supplier Verification, RoHS, Lead-free and Material Details**
Consult capacitor suppliers regarding availability, material composition, RoHS and lead-free status, and manufacturing process requirements for any capacitors identified in this table.
- (2) Specified capacitance values
- (3) Maximum ESR @ 100kHz, 25°C.

7.3.8 Output On/Off Inhibit (INH/UVLO)

The INH/UVLO pin provides on and off control of the device. The INH input provides a precise 2.1 V rising threshold to allow direct logic drive or connection to a voltage divider from a higher voltage source such as PV_{IN} . Once the INH/UVLO pin voltage exceeds the threshold voltage, the device starts operation. The INH input also incorporates 300 mV (typ) of hysteresis resulting in a falling threshold of 1.8 V. If the INH/UVLO pin voltage is pulled below the threshold voltage, the regulator stops switching and enters low quiescent current state. The INH/UVLO pin cannot be open circuit or floating. The simplest way to enable the operation of the LMZ36002 is to connect the INH/UVLO pin to PV_{IN} pin directly as shown in Figure 27. This connection allows the LMZ36002 device to restart when PV_{IN} is again within the operation range.

If an application requires controlling the INH/UVLO pin, either drive it directly with a logic input or use an open drain and collector device to interface with the pin and place a 100-k Ω resistor between this pin and PV_{IN} pin as shown in Figure 28. When turning Q1 on applies a low voltage to the inhibit control (INH/UVLO) pin and disables the output of the supply, shown in Figure 29. If Q1 is turned off, the supply executes a soft-start power-up sequence, as shown in Figure 30.

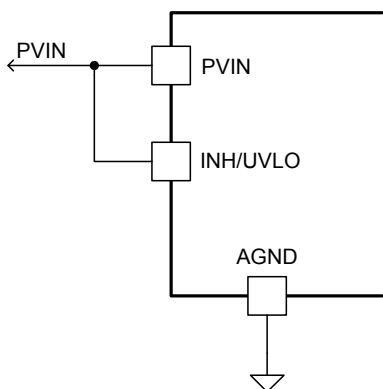


Figure 27. Enabling the Device

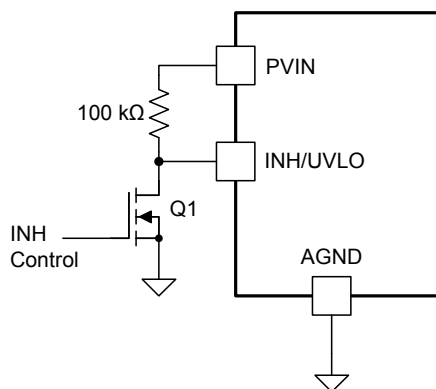


Figure 28. Typical Inhibit Control

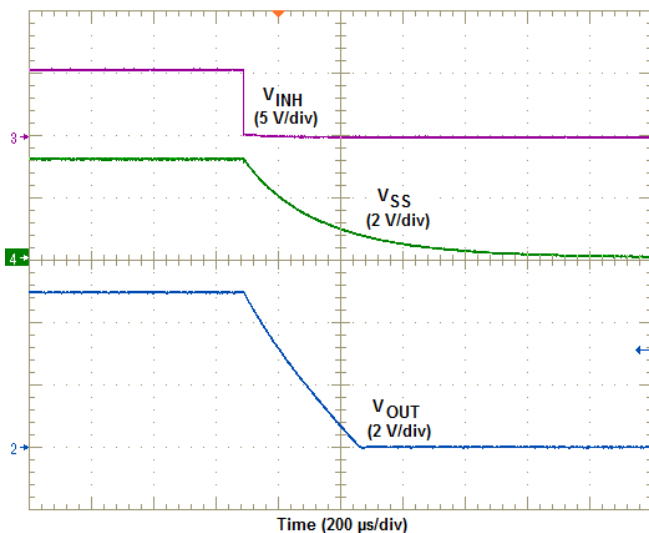


Figure 29. Inhibit Turn-Off

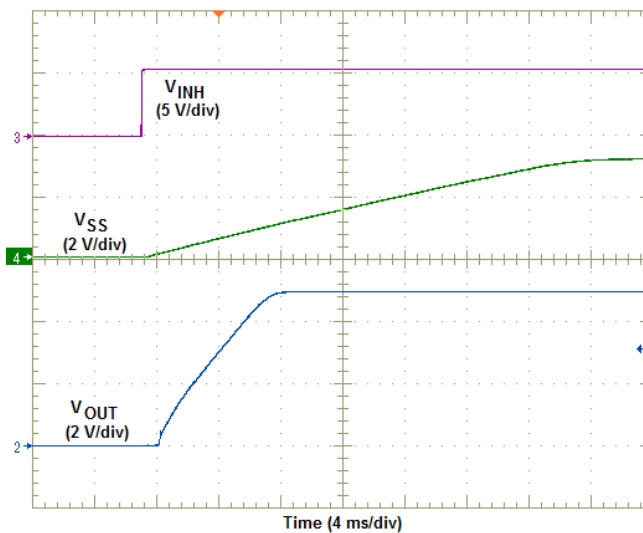


Figure 30. Inhibit Turn-On

7.3.9 Under Voltage Lockout (UVLO)

The LMZ36002 device has an internal UVLO circuit which prevents the device from operating until the PV_{IN} voltage exceeds the UVLO threshold, (3.2 V (typ)). The device will begin switching and the output voltage will begin to rise once PV_{IN} exceeds the threshold, however PV_{IN} must be greater than $(V_{OUT}/0.75)$ in order to for V_{OUT} to regulate at the set-point voltage.

Applications may require a higher UVLO threshold to prevent early turn-on, for sequencing requirements, or to prevent input current draw at lower input voltages. An external resistor divider can be added to the INH/UVLO pin to adjust the UVLO threshold higher. The external resistor divider can be configured as shown in Figure 31. Table 10 lists standard values for R_{UVLO1} and R_{UVLO2} to adjust the UVLO voltage higher.

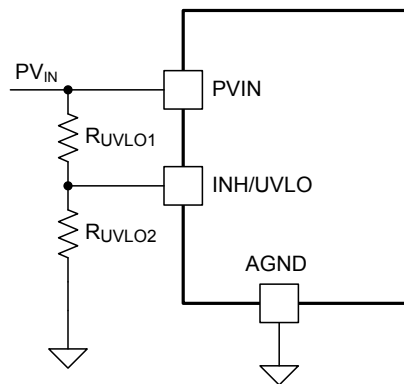


Figure 31. Adjustable PVIN UVLO

Table 10. Standard Resistor Values for Adjusting PVIN UVLO

| VIN UVLO (V) | 4.5 | 10 | 15 | 20 | 25 | 30 | 35 | 40 | 45 |
|---------------------------|------|------|------|------|------|------|------|------|------|
| R_{UVLO1} (k Ω) | 100 | 100 | 100 | 100 | 100 | 100 | 100 | 100 | 100 |
| R_{UVLO2} (k Ω) | 86.6 | 26.1 | 16.2 | 11.5 | 9.09 | 7.50 | 6.34 | 5.49 | 4.87 |

7.3.10 Remote Sense

The SENSE+ pin must be connected to V_{OUT} at the load, or at the device pins.

Connecting the SENSE+ pin to V_{OUT} at the load improves the load regulation performance of the device by allowing it to compensate for any I-R voltage drop between its output pins and the load. An I-R drop is caused by the high output current flowing through the small amount of pin and trace resistance. This should be limited to a maximum of 300 mV.

NOTE

The remote sense feature is not designed to compensate for the forward drop of nonlinear or frequency dependent components that may be placed in series with the converter output. Examples include OR-ing diodes, filter inductors, ferrite beads, and fuses. When these components are enclosed by the SENSE+ connection, they are effectively placed inside the regulation control loop, which can adversely affect the stability of the regulator.

7.3.11 VBSEL

The VBSEL pin allows the user to select the input source of the internal bias circuitry to improve efficiency. For output voltages ≥ 4.5 V, connect this pin to V_{OUT} . For output voltages < 4.5 V, connect this pin to AGND.

7.3.12 Soft-Start (SS/TR)

Leaving SS/TR pin open enables the internal slow start time interval of approximately 4.1 ms. Adding additional capacitance between the SS pin and AGND increases the slow start time. Increasing the slow start time will reduce inrush current seen by the input source and reduce the current seen by the device when charging the output capacitors. To avoid the activation of current limit and ensure proper start-up, the SS capacitor may need to be increased when operating near the maximum output capacitance limit.

See [Table 11](#) below for SS capacitor values and timing interval.

Table 11. Soft-Start Capacitor Values and Soft-Start Time

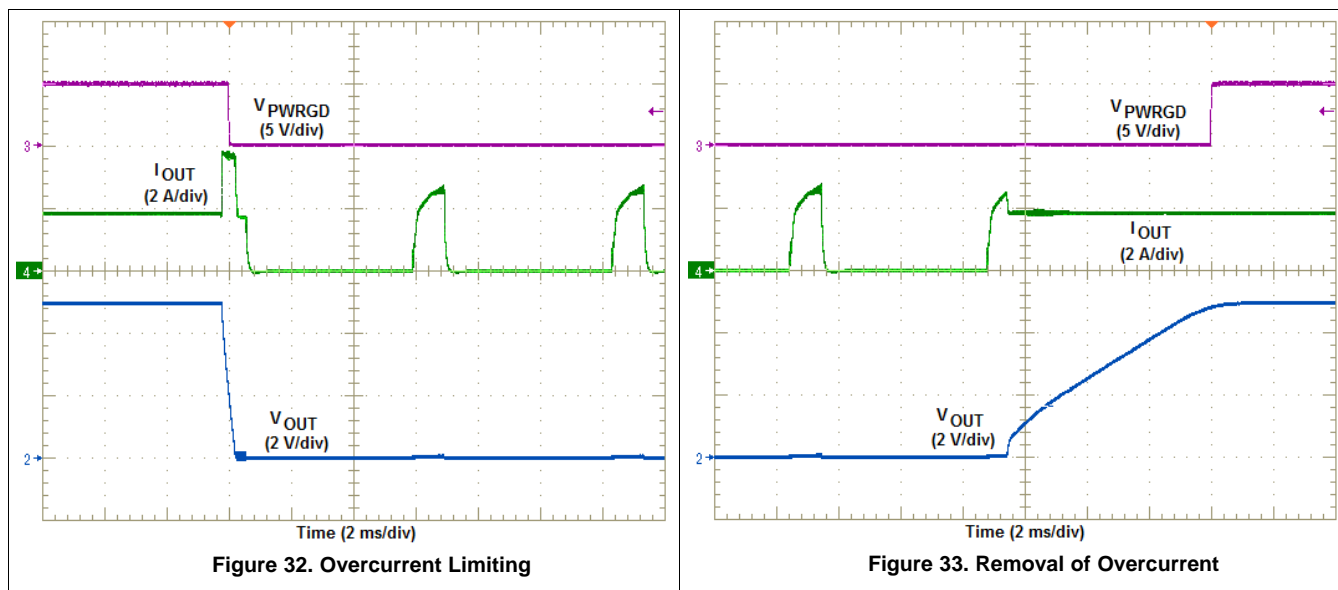
| C _{SS} (nF) | open | 15 | 22 | 33 | 47 |
|----------------------|------|----|----|----|----|
| SS Time (ms) | 4.1 | 7 | 10 | 15 | 20 |

7.3.13 Power Good (PWRGD) and Pull-up (PWRGD_PU)

The PWRGD pin is an open drain output. Once the voltage on the SENSE+ pin is between 95% and 105% of the set voltage, the PWRGD pin pull-down is released and the pin floats. The recommended pullup resistor value is between 10 kΩ and 100 kΩ to a voltage source that is 12 V or less. The LMZ36002 has an internal 100-kΩ between the PWRGD pin (pin 20) and the PWRGD_PU pin (pin 21). Connect the PWRGD_PU pin to an external voltage source to avoid using an external pullup resistor. The PWRGD pin is pulled low when the voltage on SENSE+ is lower than 90% or greater than 110% of the nominal set voltage.

7.3.14 Overcurrent Protection

For protection against load faults, the LMZ36002 incorporates output overcurrent protection. Applying a load that exceeds the regulator's overcurrent threshold causes the output to shut down when the output voltage falls below the PWRGD threshold. Following shutdown, the module periodically attempts to recover by initiating a soft-start power-up as shown in [Figure 32](#). This is described as a hiccup mode of operation, whereby the module continues in a cycle of successive shutdown and power up until the load fault is removed. During this period, the average current flowing into the fault is significantly reduced which reduces power dissipation. Once the fault is removed, the module automatically recovers and returns to normal operation as shown in [Figure 33](#).



7.3.15 Thermal Shutdown

The internal thermal shutdown circuitry forces the device to stop switching if the junction temperature exceeds 160°C typically. The device reinitiates the power up sequence when the junction temperature drops below 150°C typically.

7.4 Device Functional Modes

7.4.1 Active Mode

The LMZ36002 is in Active Mode when PVIN is above the UVLO threshold and the INH/UVLO pin voltage is above the INH high threshold. The simplest way to enable the LMZ36002 is to connect the INH/UVLO terminal to PVIN. This allows self start-up of the LMZ36002 when the input voltage is in the operation range: 4.5 V to 60 V.

7.4.2 Light Load Operation

At light load, the LMZ36002 operates in pulse skip mode to improve efficiency and decrease power dissipation by reducing switching losses and gate drive losses. In light load operation (PFM mode), the output voltage can rise slightly above the set-point specification. To avoid this behavior, a 300-mA load is required on the output.

7.4.3 Shutdown Mode

The INH/UVLO pin provides electrical ON and OFF control for the LMZ36002. When the INH/UVLO pin voltage is below the INH threshold, the device is in shutdown mode. In shutdown mode the stand-by current is 2.4 μ A typically with $PV_{IN} = 24$ V. The LMZ36002 also employs under voltage lock out protection. If PV_{IN} is below the UVLO level, the output of the regulator turns off.

8 Application and Implementation

NOTE

Information in the following applications sections is not part of the TI component specification, and TI does not warrant its accuracy or completeness. TI's customers are responsible for determining suitability of components for their purposes. Customers should validate and test their design implementation to confirm system functionality.

8.1 Application Information

The LMZ36002 is a synchronous step down DC-DC power module. It is used to convert a higher DC voltage to a lower DC voltage with a maximum output current of 2 A. The following design procedure can be used to select components for the LMZ36002. Alternately, the WEBENCH® software may be used to generate complete designs. When generating a design, the WEBENCH software utilizes an iterative design procedure and accesses comprehensive databases of components.

8.1.1 Minimum External Component Application

The LMZ36002 requires only a few external components to convert from a wide input voltage supply range to a wide range of output voltages. Figure 34 shows a basic LMZ36002 schematic with only the minimum required components.

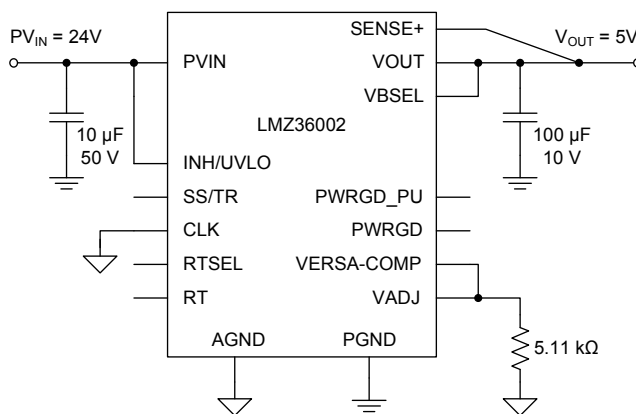


Figure 34. LMZ36002 Minimum External Component Application

8.1.1.1 Design Requirements

For this design example, use the parameters listed in Table 12 and follow the design procedures below.

Table 12. Design Example Parameters

| DESIGN PARAMETER | VALUE |
|--------------------------|--------------|
| Input Voltage PV_{IN} | 24 V typical |
| Output Voltage V_{OUT} | 5.0 V |
| Output Current Rating | 2 A |
| Operating Frequency | 500 kHz |

8.1.1.2 Detailed Design Procedure

8.1.1.2.1 Custom Design With WEBENCH® Tools

[Click here](#) to create a custom design using the LMZ36002 device with the WEBENCH® Power Designer.

1. Start by entering the input voltage (V_{IN}), output voltage (V_{OUT}), and output current (I_{OUT}) requirements.
2. Optimize the design for key parameters such as efficiency, footprint, and cost using the optimizer dial.
3. Compare the generated design with other possible solutions from Texas Instruments.

The WEBENCH Power Designer provides a customized schematic along with a list of materials with real-time pricing and component availability.

In most cases, these actions are available:

- Run electrical simulations to see important waveforms and circuit performance
- Run thermal simulations to understand board thermal performance
- Export customized schematic and layout into popular CAD formats
- Print PDF reports for the design, and share the design with colleagues

Get more information about WEBENCH tools at www.ti.com/WEBENCH.

8.1.1.2.2 Output Voltage Set-Point

The output voltage of the LMZ36002 device is externally adjustable using a single resistor (R_{SET}). Select the value of R_{SET} from [Table 2](#) or calculate using [Equation 3](#):

$$R_{SET} = \frac{20}{\left[\left(\frac{V_{OUT}}{1.011} \right) - 1 \right]} \text{ (k}\Omega\text{)} \quad (3)$$

Knowing the desired output voltage is 5 V, the R_{SET} value can then be calculated using [Equation 3](#) or selected from [Table 2](#). The formula yields a value of 5.07 k Ω . Choose the closest available value of 5.11 k Ω for R_{SET} .

8.1.1.2.3 RT and RTSEL

The default switching frequency of the LMZ36002 is set to 500 kHz by leaving the RT pin open and the RTSEL pin open. The switching frequency of this application is 500-kHz, therefore no additional resistor is required to set the switching frequency. If another frequency is desired, use [Table 3](#) to select the required resistor value.

8.1.1.2.4 VERSA-COMP

The Versa-Comp feature of the LMZ36002 configures the internal compensation based on the output voltage. From [Table 8](#), the required Versa-Comp configuration for a 5-V output is to connect the VERSA-COMP pin to the VADJ pin.

8.1.1.2.5 VBSEL

The VBSEL pin allows the user to select the input source of the internal bias circuitry to improve efficiency. For output voltages ≥ 4.5 V, connect this pin to VOUT. For output voltages < 4.5 V, connect this pin to AGND.

8.1.1.2.6 Input Capacitors

For this design, a 10- μ F, X7R dielectric ceramic capacitor rated for 50 V is used for the input decoupling capacitor. The effective capacitance at 24 V is 5.7 μ F, the equivalent series resistance (ESR) is approximately 3 m Ω , and the current-rating is 5 A.

8.1.1.2.7 Output Capacitors

The minimum required output capacitance for a 5-V output is 64 μ F of ceramic capacitance. For this design, a 100- μ F, X5R dielectric ceramic capacitor rated for 10 V is used for the output capacitor.

8.1.1.2.8 Application Curves

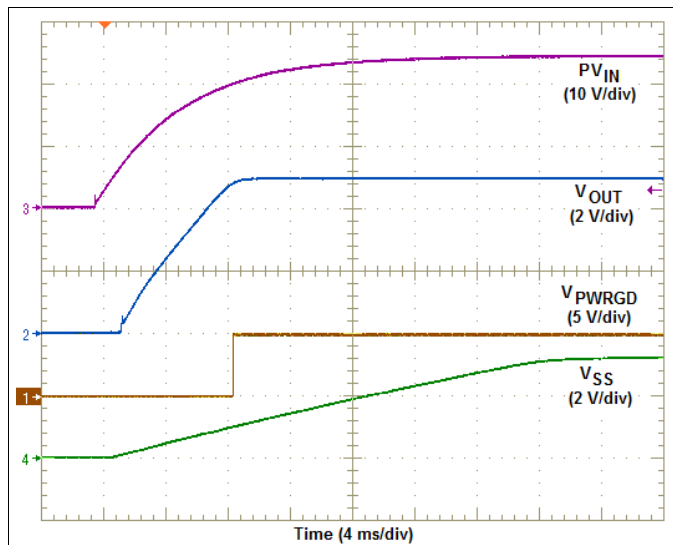


Figure 35. Start-up Waveforms

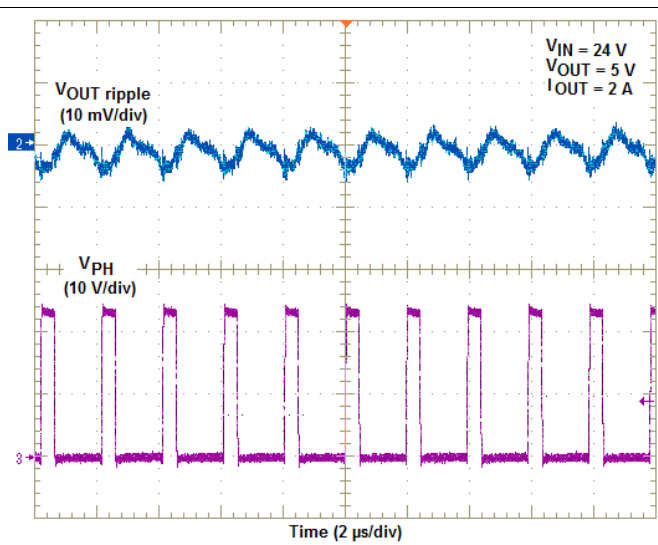


Figure 36. Output Ripple and PH Node Waveforms

8.1.2 Typical Application

Figure 37 shows a more typical use schematic which makes use of the INH control, Versa-Comp, SS, PWRGD and PWRGD_PU features, along with adjusting the switching frequency with an external resistor. Setting these additional features is described below.

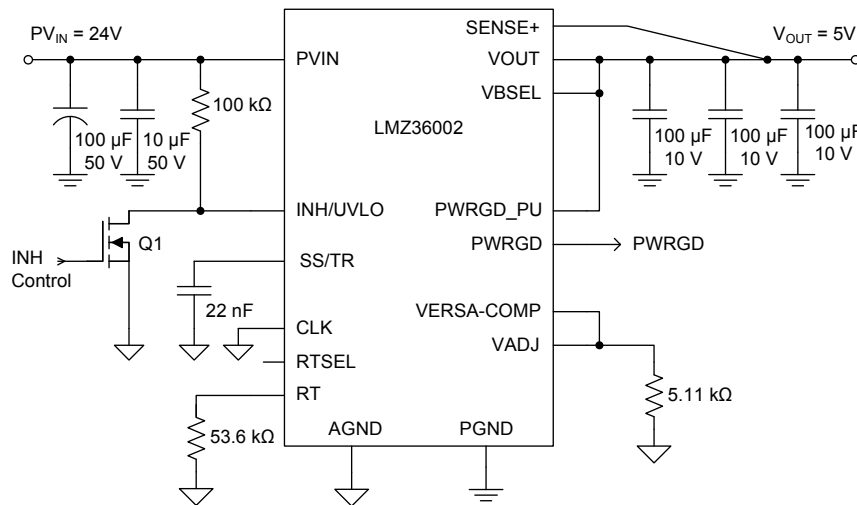


Figure 37. LMZ36002 Typical Schematic

8.1.2.1 Design Requirements

For this design example, use the parameters listed in Table 13 as the input parameters. For the complete design procedures begin with the procedures for the basic application shown in the Minimum External Component Application section as well as the procedures listed in this section.

Table 13. Design Example Parameters

| DESIGN PARAMETER | VALUE |
|--------------------------|--------------|
| Input Voltage PV_{IN} | 24 V typical |
| Output Voltage V_{OUT} | 5.0 V |

Table 13. Design Example Parameters (continued)

| DESIGN PARAMETER | VALUE |
|-----------------------|-------------|
| Output Current Rating | 2 A |
| Operating Frequency | 750 kHz |
| Inhibit Control | Yes |
| Power Good Signal | Yes |
| Slow Start Time | 10 ms |
| Output Capacitance | 300 μ F |

8.1.3 Detailed Design Procedure

8.1.3.1 Switching Frequency

To adjust the switching frequency place a resistor between the RT pin (pin 9) and AGND. Refer to [Table 3](#) to select the required value for the R_{RT} resistor. To set the switching frequency to 750 kHz, the value for R_{RT} is 53.6 k Ω , selected from [Table 3](#).

8.1.3.2 Power Good

The PWRGD pin is an open drain output. The LMZ36002 includes an internal 100-k Ω pullup resistor between the PWRGD pin and the PWRGD_PU pin. Connecting the PWRGD_PU pin to a pullup voltage allows use of the PWRGD signal without adding an additional component. In this example, the 5-V output is used as the pullup voltage.

8.1.3.3 Inhibit Control

To control the turn ON and OFF of the LMZ36002, an open-drain and collector device is recommended. The open-drain and collector device must be rated for the maximum voltage applied to the PVIN pin. A pull-up resistor is required between the INH/UVLO pin and PVIN. Place a 100-k Ω resistor between the INH/UVLO pin and the PVIN pin.

8.1.3.4 VERSA-COMP

The Versa-Comp feature of the LMZ36002 configures the internal compensation based on the output voltage. From [Table 8](#), the required Versa-Comp configuration for a 5-V output is to connect the VERSA-COMP pin to the VADJ pin.

8.1.3.5 VBSEL

The VBSEL pin allows the user to select the input source to the internal power circuitry to improve efficiency. For output voltages ≥ 4.5 V, connect this pin to VOUT. For output voltages < 4.5 V, connect this pin to AGND.

8.1.3.6 Soft-Start Capacitors

When the SS/TRK pin remains floating the LMZ36002 implements a typical soft-start time of 4.1 ms. In order to increase the slow start time, an external slow start capacitor, C_{SS} must be placed between the SS/TRK pin and AGND. Select a value for C_{SS} from [Table 11](#).

For the desired soft-start time of 10 ms, a soft-start capacitor value of 22 nF is selected from [Table 11](#).

8.1.3.7 Input Capacitors

For this design, a 10- μ F ceramic capacitor plus a 100- μ F aluminum electrolytic capacitor, both rated for 50 V are used for the input decoupling capacitors.

8.1.3.8 Output Capacitors

The maximum allowable output capacitance for a 5-V output is 350 μ F of capacitance. At least 64 μ F of capacitance must be ceramic type. For this design, 3 \times 100- μ F, X5R dielectric ceramic capacitors rated for 10 V are used for the output capacitors.

9 Power Supply Recommendations

The LMZ36002 is designed to operate from an input voltage supply range between 4.5 V and 60 V. This input supply should be well regulated and able to withstand maximum input current and maintain a stable voltage. The resistance of the input supply rail should be low enough that an input current transient does not cause a high enough drop at the LMZ36002 supply voltage that can cause a false UVLO fault triggering and system reset.

If the input supply is located more than a few inches from the LMZ36002 additional bulk capacitance may be required in addition to the ceramic bypass capacitors. Typically, a 47 μF or 100 μF electrolytic capacitor will suffice.

10 Layout

The performance of any switching power supply depends as much upon the layout of the PCB as the component selection. The following guidelines will help users design a PCB with the best power conversion performance, thermal performance, and minimized generation of unwanted EMI.

10.1 Layout Guidelines

To achieve optimal electrical and thermal performance, an optimized PCB layout is required. Figure 38 through Figure 41, shows a typical PCB layout. Some considerations for an optimized layout are:

- Use large copper areas for power planes (PVIN, VOUT, and PGND) to minimize conduction loss and thermal stress.
- Place ceramic input and output capacitors close to the device pins to minimize high frequency noise.
- Locate additional output capacitors between the ceramic capacitor and the load.
- Keep AGND and PGND separate from one another. The connection is made internal to the device.
- Place R_{SET} , R_{RT} , and C_{SS} as close as possible to their respective pins.
- Use multiple vias to connect the power planes to internal layers.

10.2 Layout Example

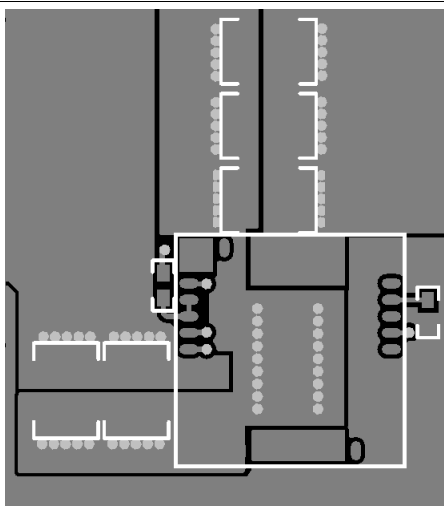


Figure 38. Typical Top-Layer Layout

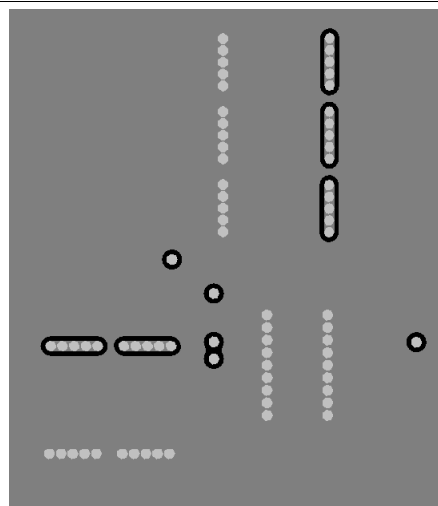


Figure 39. Typical Layer-2 Layout

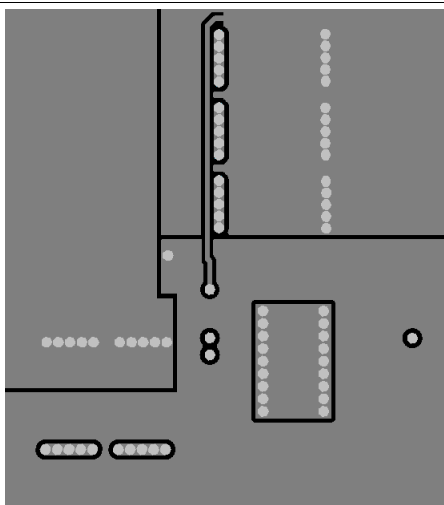


Figure 40. Typical Layer-3 Layout

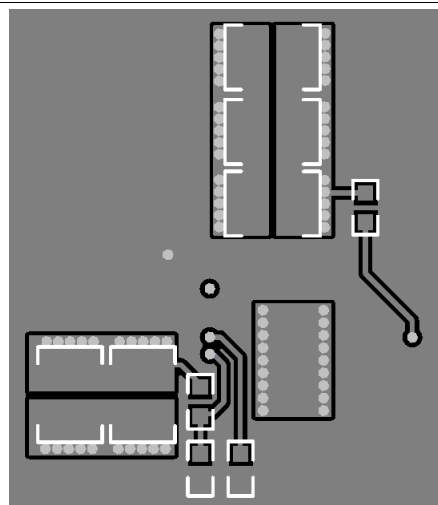
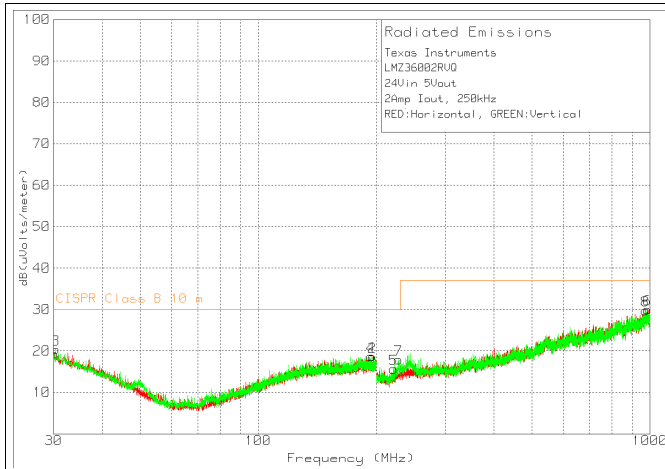


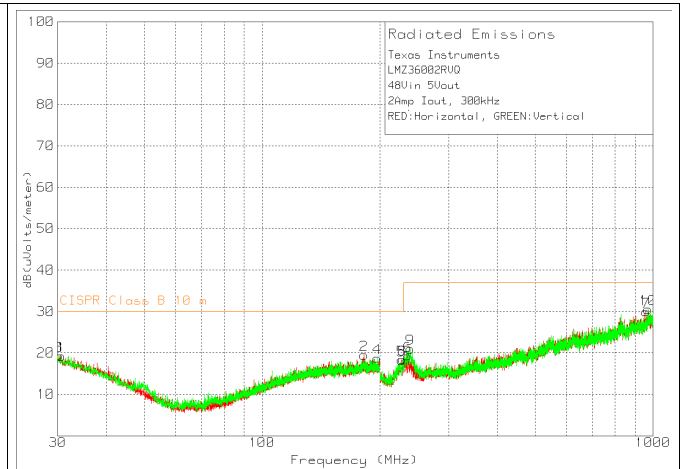
Figure 41. Typical Bottom-Layer Layout

10.3 EMI

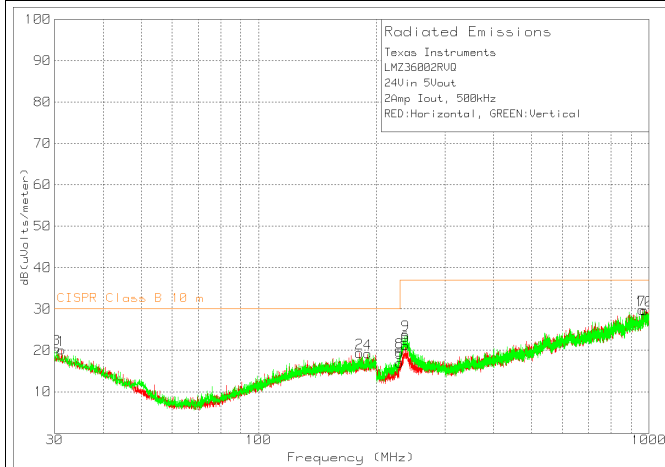
The LMZ36002 is compliant with EN55022 Class B radiated emissions. Figure 42 through Figure 45 show typical examples of radiated emissions plots for the LMZ36002 operating from 24 V and 48 V. Both graphs include the plots of the antenna in the horizontal and vertical positions.



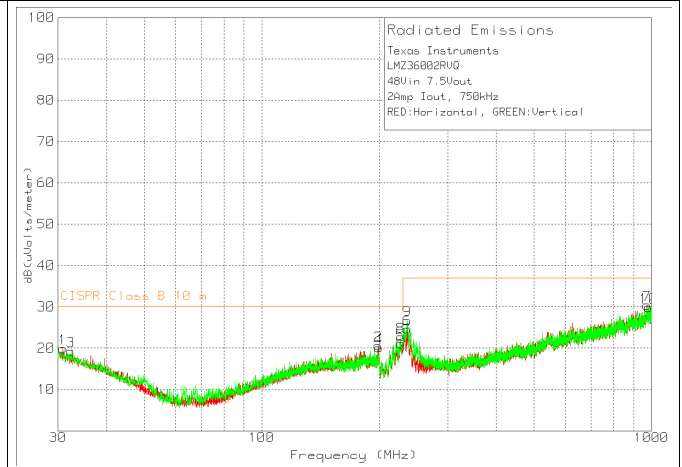
**Figure 42. Radiated Emissions (EN55022 Class B)
24-V Input, 5-V Output, 2-A Load, 250 kHz**



**Figure 43. Radiated Emissions (EN55022 Class B)
48-V Input, 5-V Output, 2-A Load, 300 kHz**



**Figure 44. Radiated Emissions (EN55022 Class B)
24-V Input, 5-V Output, 2-A Load, 500 kHz**



**Figure 45. Radiated Emissions (EN55022 Class B)
48-V Input, 7.5-V Output, 2-A Load, 750 kHz**

11 Device and Documentation Support

11.1 Device Support

11.1.1 Development Support

11.1.1.1 Custom Design With WEBENCH® Tools

Click [here](#) to create a custom design using the LMZ36002 device with the WEBENCH® Power Designer.

1. Start by entering the input voltage (V_{IN}), output voltage (V_{OUT}), and output current (I_{OUT}) requirements.
2. Optimize the design for key parameters such as efficiency, footprint, and cost using the optimizer dial.
3. Compare the generated design with other possible solutions from Texas Instruments.

The WEBENCH Power Designer provides a customized schematic along with a list of materials with real-time pricing and component availability.

In most cases, these actions are available:

- Run electrical simulations to see important waveforms and circuit performance
- Run thermal simulations to understand board thermal performance
- Export customized schematic and layout into popular CAD formats
- Print PDF reports for the design, and share the design with colleagues

Get more information about WEBENCH tools at www.ti.com/WEBENCH.

11.1.2 Third-Party Products Disclaimer

TI'S PUBLICATION OF INFORMATION REGARDING THIRD-PARTY PRODUCTS OR SERVICES DOES NOT CONSTITUTE AN ENDORSEMENT REGARDING THE SUITABILITY OF SUCH PRODUCTS OR SERVICES OR A WARRANTY, REPRESENTATION OR ENDORSEMENT OF SUCH PRODUCTS OR SERVICES, EITHER ALONE OR IN COMBINATION WITH ANY TI PRODUCT OR SERVICE.

11.2 Receiving Notification of Documentation Updates

To receive notification of documentation updates, navigate to the device product folder on ti.com. In the upper right corner, click on *Alert me* to register and receive a weekly digest of any product information that has changed. For change details, review the revision history included in any revised document.

11.3 Community Resources

The following links connect to TI community resources. Linked contents are provided "AS IS" by the respective contributors. They do not constitute TI specifications and do not necessarily reflect TI's views; see TI's [Terms of Use](#).

TI E2E™ Online Community *TI's Engineer-to-Engineer (E2E) Community*. Created to foster collaboration among engineers. At e2e.ti.com, you can ask questions, share knowledge, explore ideas and help solve problems with fellow engineers.

Design Support *TI's Design Support* Quickly find helpful E2E forums along with design support tools and contact information for technical support.

11.4 Trademarks

E2E is a trademark of Texas Instruments.

WEBENCH is a registered trademark of Texas Instruments.

11.5 Electrostatic Discharge Caution



These devices have limited built-in ESD protection. The leads should be shorted together or the device placed in conductive foam during storage or handling to prevent electrostatic damage to the MOS gates.

11.6 Glossary

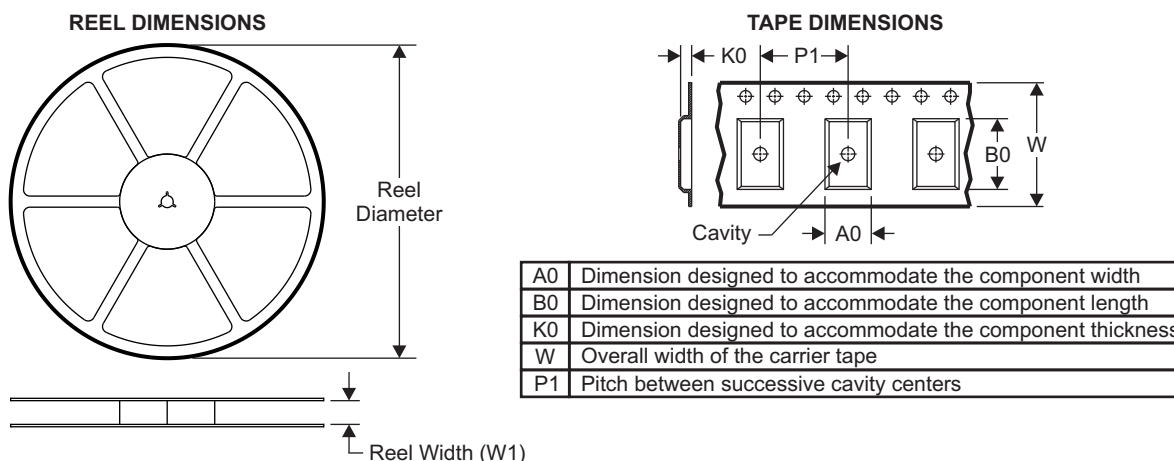
[SLYZ022](#) — TI Glossary.

This glossary lists and explains terms, acronyms, and definitions.

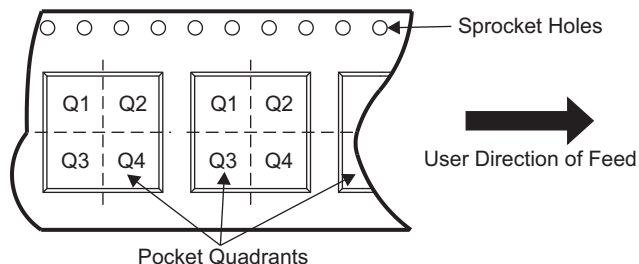
12 Mechanical, Packaging, and Orderable Information

The following pages include mechanical packaging and orderable information. This information is the most current data available for the designated devices. This data is subject to change without notice and revision of this document. For browser-based versions of this data sheet, refer to the left-hand navigation.

12.1 Tape and Reel Information



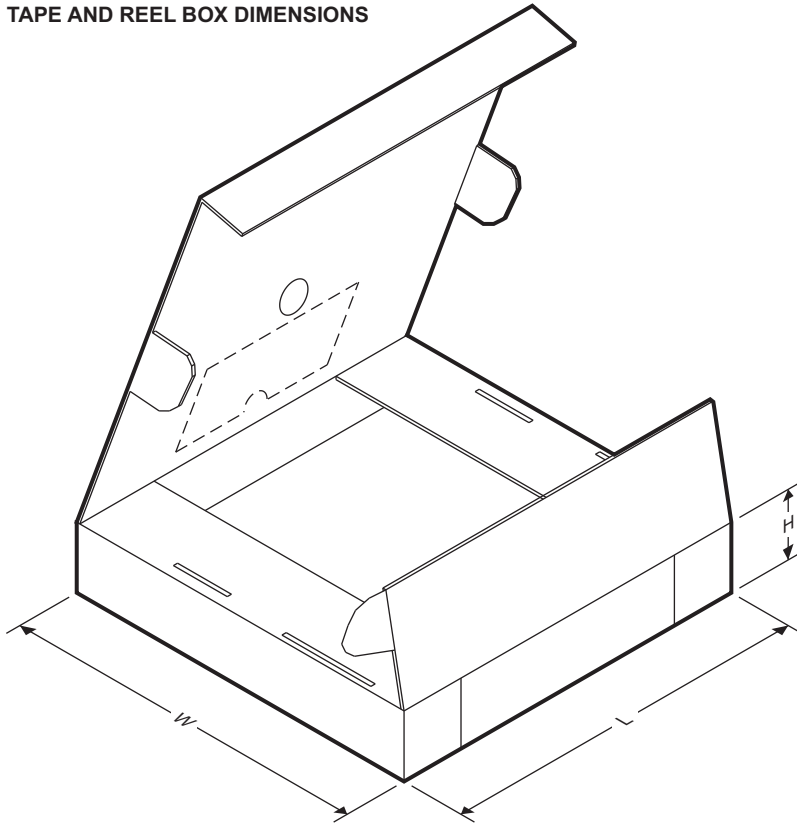
QUADRANT ASSIGNMENTS FOR PIN 1 ORIENTATION IN TAPE



| Device | Package Type | Package Drawing | Pins | SPQ | Reel Diameter (mm) | Reel Width W1 (mm) | A0 (mm) | B0 (mm) | K0 (mm) | P1 (mm) | W (mm) | Pin1 Quadrant |
|--------------|--------------|-----------------|------|-----|--------------------|--------------------|---------|---------|---------|---------|--------|---------------|
| LMZ36002RVQR | B3QFN | RVQ | 43 | 500 | 330.0 | 24.4 | 10.35 | 10.35 | 4.6 | 16.0 | 24.0 | Q2 |
| LMZ36002RVQT | B3QFN | RVQ | 43 | 250 | 330.0 | 24.4 | 10.35 | 10.35 | 4.6 | 16.0 | 24.0 | Q2 |

LMZ36002

SNVSA92D – SEPTEMBER 2015 – REVISED JUNE 2018

www.ti.com
TAPE AND REEL BOX DIMENSIONS


| Device | Package Type | Package Drawing | Pins | SPQ | Length (mm) | Width (mm) | Height (mm) |
|--------------|--------------|-----------------|------|-----|-------------|------------|-------------|
| LMZ36002RVQR | B3QFN | RVQ | 43 | 500 | 383.0 | 353.0 | 58.0 |
| LMZ36002RVQT | B3QFN | RVQ | 43 | 250 | 383.0 | 353.0 | 58.0 |

PACKAGING INFORMATION

| Orderable Device | Status (1) | Package Type | Package Drawing | Pins | Package Qty | Eco Plan (2) | Lead/Ball Finish (6) | MSL Peak Temp (3) | Op Temp (°C) | Device Marking (4/5) | Samples |
|------------------|---------------|--------------|-----------------|------|-------------|---------------------|-------------------------|----------------------|--------------|-------------------------|-------------------------|
| LMZ36002RVQR | ACTIVE | B3QFN | RVQ | 43 | 500 | RoHS Exempt & Green | CU NIPDAU | Level-3-245C-168 HR | -40 to 105 | LMZ36002 | Samples |
| LMZ36002RVQT | ACTIVE | B3QFN | RVQ | 43 | 250 | RoHS Exempt & Green | CU NIPDAU | Level-3-245C-168 HR | -40 to 105 | LMZ36002 | Samples |

(1) The marketing status values are defined as follows:

ACTIVE: Product device recommended for new designs.

LIFEBUY: TI has announced that the device will be discontinued, and a lifetime-buy period is in effect.

NRND: Not recommended for new designs. Device is in production to support existing customers, but TI does not recommend using this part in a new design.

PREVIEW: Device has been announced but is not in production. Samples may or may not be available.

OBsolete: TI has discontinued the production of the device.

(2) **RoHS:** TI defines "RoHS" to mean semiconductor products that are compliant with the current EU RoHS requirements for all 10 RoHS substances, including the requirement that RoHS substance do not exceed 0.1% by weight in homogeneous materials. Where designed to be soldered at high temperatures, "RoHS" products are suitable for use in specified lead-free processes. TI may reference these types of products as "Pb-Free".

RoHS Exempt: TI defines "RoHS Exempt" to mean products that contain lead but are compliant with EU RoHS pursuant to a specific EU RoHS exemption.

Green: TI defines "Green" to mean the content of Chlorine (Cl) and Bromine (Br) based flame retardants meet JS709B low halogen requirements of <=1000ppm threshold. Antimony trioxide based flame retardants must also meet the <=1000ppm threshold requirement.

(3) MSL, Peak Temp. - The Moisture Sensitivity Level rating according to the JEDEC industry standard classifications, and peak solder temperature.

(4) There may be additional marking, which relates to the logo, the lot trace code information, or the environmental category on the device.

(5) Multiple Device Markings will be inside parentheses. Only one Device Marking contained in parentheses and separated by a "~" will appear on a device. If a line is indented then it is a continuation of the previous line and the two combined represent the entire Device Marking for that device.

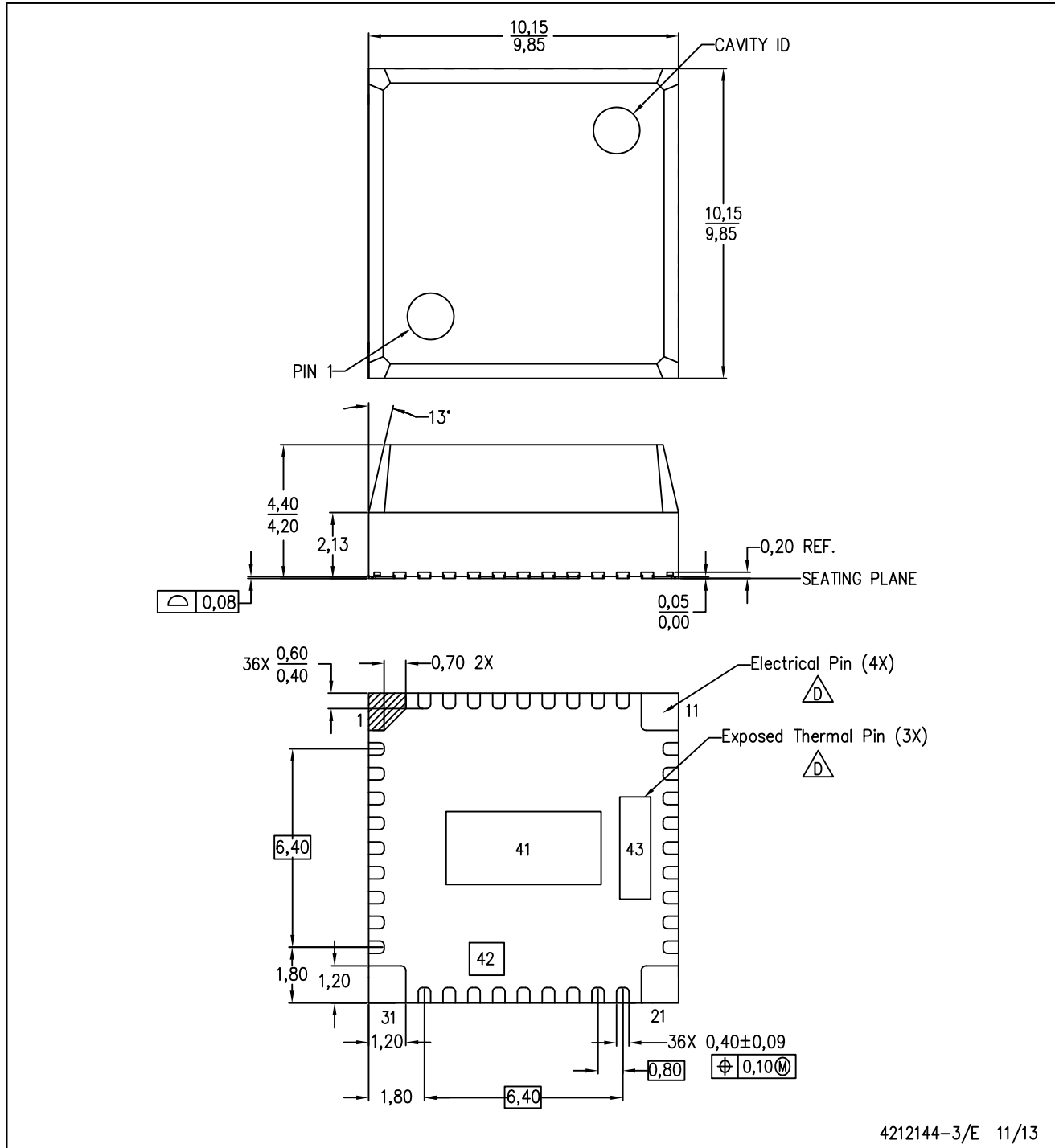
(6) Lead/Ball Finish - Orderable Devices may have multiple material finish options. Finish options are separated by a vertical ruled line. Lead/Ball Finish values may wrap to two lines if the finish value exceeds the maximum column width.

Important Information and Disclaimer:The information provided on this page represents TI's knowledge and belief as of the date that it is provided. TI bases its knowledge and belief on information provided by third parties, and makes no representation or warranty as to the accuracy of such information. Efforts are underway to better integrate information from third parties. TI has taken and continues to take reasonable steps to provide representative and accurate information but may not have conducted destructive testing or chemical analysis on incoming materials and chemicals. TI and TI suppliers consider certain information to be proprietary, and thus CAS numbers and other limited information may not be available for release.



In no event shall TI's liability arising out of such information exceed the total purchase price of the TI part(s) at issue in this document sold by TI to Customer on an annual basis.

RVQ (S-PB3QFN-N43)

PLASTIC QUAD FLATPACK NO-LEAD



4212144-3/E 11/13

- NOTES:
- A. All linear dimensions are in millimeters. Dimensioning and tolerancing per ASME Y14.5M-1994.
 - B. This drawing is subject to change without notice.
 - C. Quad Flatpack, No-leads (QFN) package configuration.
 -  The package thermal pad must be soldered to the board for thermal and mechanical performance.
 - E. See the additional figure in the Product Data Sheet for details regarding the exposed thermal pad features and dimensions.
 -  The package thermal performance may be enhanced by bonding the thermal pad to an external thermal plane.

IMPORTANT NOTICE AND DISCLAIMER

TI PROVIDES TECHNICAL AND RELIABILITY DATA (INCLUDING DATASHEETS), DESIGN RESOURCES (INCLUDING REFERENCE DESIGNS), APPLICATION OR OTHER DESIGN ADVICE, WEB TOOLS, SAFETY INFORMATION, AND OTHER RESOURCES "AS IS" AND WITH ALL FAULTS, AND DISCLAIMS ALL WARRANTIES, EXPRESS AND IMPLIED, INCLUDING WITHOUT LIMITATION ANY IMPLIED WARRANTIES OF MERCHANTABILITY, FITNESS FOR A PARTICULAR PURPOSE OR NON-INFRINGEMENT OF THIRD PARTY INTELLECTUAL PROPERTY RIGHTS.

These resources are intended for skilled developers designing with TI products. You are solely responsible for (1) selecting the appropriate TI products for your application, (2) designing, validating and testing your application, and (3) ensuring your application meets applicable standards, and any other safety, security, or other requirements. These resources are subject to change without notice. TI grants you permission to use these resources only for development of an application that uses the TI products described in the resource. Other reproduction and display of these resources is prohibited. No license is granted to any other TI intellectual property right or to any third party intellectual property right. TI disclaims responsibility for, and you will fully indemnify TI and its representatives against, any claims, damages, costs, losses, and liabilities arising out of your use of these resources.

TI's products are provided subject to TI's Terms of Sale (www.ti.com/legal/termsofsale.html) or other applicable terms available either on ti.com or provided in conjunction with such TI products. TI's provision of these resources does not expand or otherwise alter TI's applicable warranties or warranty disclaimers for TI products.

Mailing Address: Texas Instruments, Post Office Box 655303, Dallas, Texas 75265
Copyright © 2019, Texas Instruments Incorporated