

LP503x 36-, 30-Channel 12-Bit PWM Ultra-low Quiescent Current I²C RGB LED Drivers

1 Features

- Operating Voltage Range:
 - V_{CC} Range: 2.7 V to 5.5 V
 - EN, SDA, and SCL Pins Compatible With 1.8-V, 3.3-V, and 5-V Power Rails
 - Output Maximum Voltage: 6 V
- 36 Constant-Current Sinks With High Precision
 - 25.5 mA Maximum per Channel When V_{CC} in Full Range
 - 35 mA Maximum per Channel When V_{CC} ≥ 3.3 V
 - Device-to-Device Error ±5%; Channel-to-Channel Error ±5%
- Ultralow Quiescent Current:
 - Shutdown Mode: 1 μA (Maximum) When EN Low
 - Power Saving Mode: 12 μA (Maximum) When EN High and All LEDs Off for > 30 ms
- Integrated 12-Bit, 29-kHz PWM Generator for Each Channel:
 - Independent Color-Mixing Register Per Channel
 - Independent Brightness-Control Register Per RGB LED Module
 - Optional Logarithmic- or Linear-Scale Brightness Control
 - Integrated 3-Phase-Shifting PWM Scheme
- 3 Programmable Banks (R, G, B) for Easy Software Control of Each Color
- 2 External Hardware Address Pins Allow Connecting up to 4 Devices
- Broadcast Slave Address Allows Configuring Multiple Devices Simultaneously
- Auto-Increment Allows Writing or Reading Consecutive Registers Within One Transmission
- Up to 400-kHz Fast-Mode I²C Speed

2 Applications

LED Lighting, Indicator Lights, and Fun Lights for:

- Smart Speaker
- Smart Home Appliances
- Video Doorbell
- Electric Smart Lock
- Smoke Detector
- Set-Top Box
- Smart Router
- Handheld Devices

3 Description

Efficient and high-performance LED response effects, such as blinking, breathing, and chasing, are critical to improving end-user experience in many human machine interface (HMI) applications.

The LP503x device is a 30- or 36-channel constant-current-sink LED driver. The LP503x has a 29 kHz, 12-Bit PWM generator for each channel, as well as channel/module independent color mixing and *intensity control*, formerly called brightness control registers to enable vivid LED effects with zero audible noise. Users can benefit from the device's ultra-low shutdown I_q Power Saving Mode, while designers will appreciate the incredibly straightforward software coding of the LP503x's three programmable R G B banks.

Device Information⁽¹⁾

PART NUMBER	PACKAGE	BODY SIZE (NOM)
LP5030	VQFN (46)	6.00 mm × 5.00 mm
LP5036		

(1) For all available packages, see the orderable addendum at the end of the data sheet.

Simplified Schematic

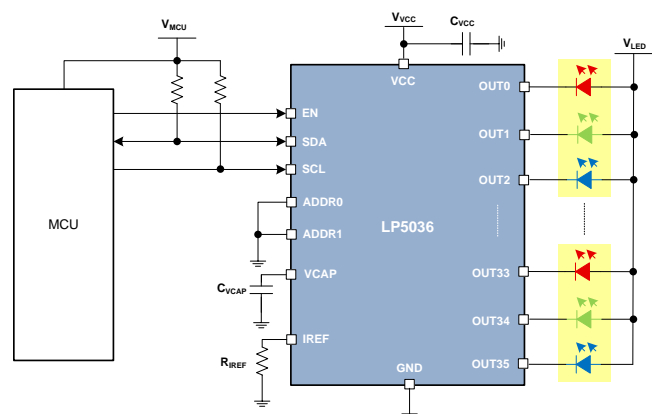


Table of Contents

1 Features	1	8.4 Device Functional Modes	19
2 Applications	1	8.5 Programming	20
3 Description	1	8.6 Register Maps	24
4 Revision History	2	9 Application and Implementation	49
5 Description (continued)	3	9.1 Application Information	49
6 Pin Configuration and Functions	4	9.2 Typical Application	49
7 Specifications	7	10 Power Supply Recommendations	51
7.1 Absolute Maximum Ratings	7	11 Layout	51
7.2 ESD Ratings	7	11.1 Layout Guidelines	51
7.3 Recommended Operating Conditions	7	11.2 Layout Examples	52
7.4 Thermal Information	7	12 Device and Documentation Support	54
7.5 Electrical Characteristics	8	12.1 Related Links	54
7.6 Timing Requirements	9	12.2 Receiving Notification of Documentation Updates	54
7.7 Typical Characteristics	10	12.3 Community Resources	54
8 Detailed Description	12	12.4 Trademarks	54
8.1 Overview	12	12.5 Electrostatic Discharge Caution	54
8.2 Functional Block Diagram	12	12.6 Glossary	54
8.3 Feature Description	12	13 Mechanical, Packaging, and Orderable Information	54

4 Revision History

NOTE: Page numbers for previous revisions may differ from page numbers in the current version.

Changes from Revision A (December 2018) to Revision B	Page
• Changed max standby current from 10uA to 12uA	8
• Changed power-save mode current from 10uA to 12uA	8
• Changed from LED3 to LED11	28

Changes from Original (September 2018) to Revision A	Page
• First release of production-data data sheet	1

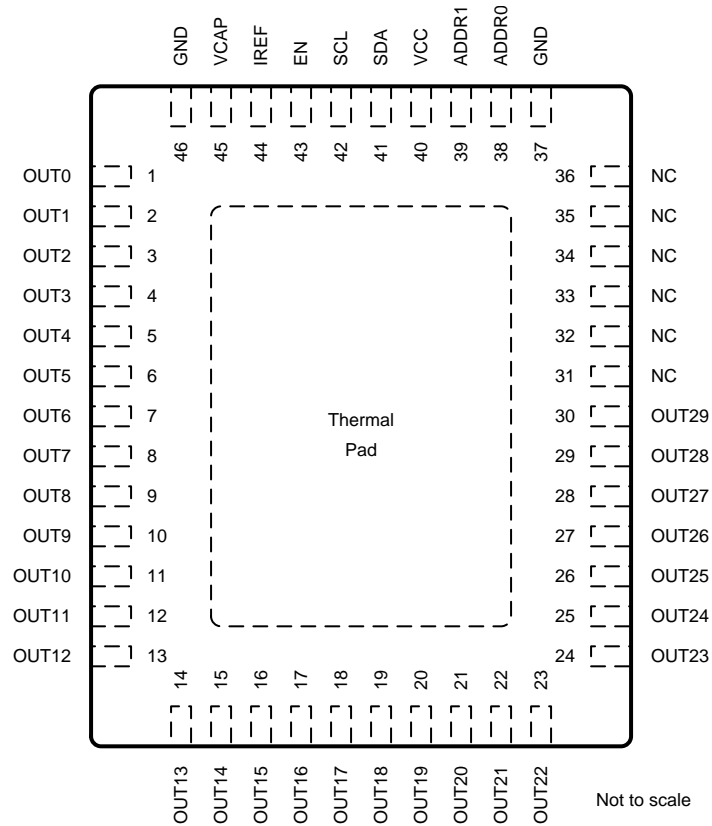
5 Description (continued)

The LP503x device controls each LED output with a 12-bit PWM resolution at 29-kHz switching frequency. This control helps get an *intensity* that decreases smoothly and stops audible noise. Having different color-mixing and intensity-control registers makes writing the software code straightforward. When targeting fade-in, fade-out type breathing effects, the global R, G, B bank control reduces the microcontroller loading significantly. The LP503x device also implements a PWM phase-shifting function to help reduce the input power budget when LEDs turn on simultaneously.

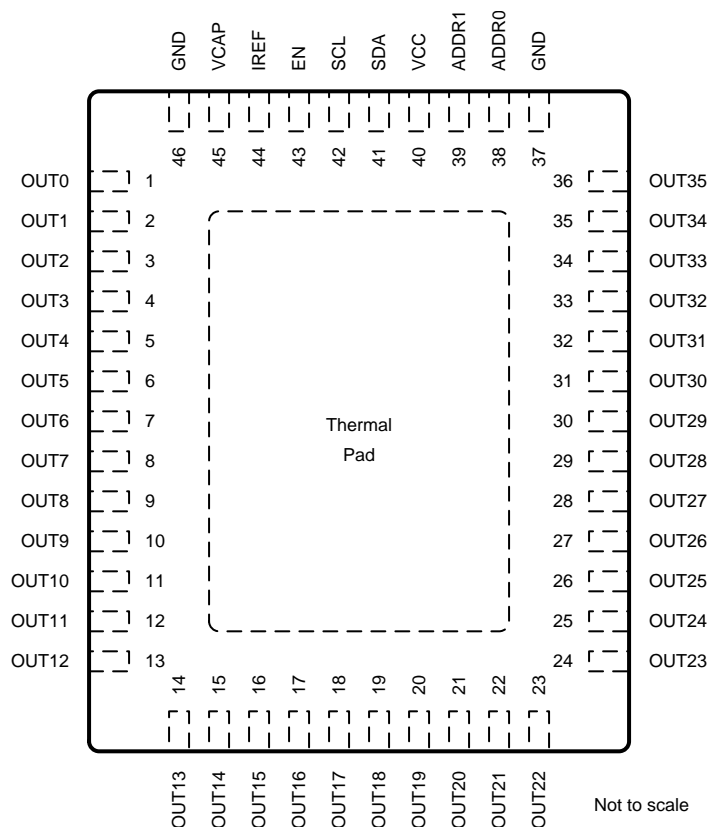
The LP503x device has an automatic power-saving mode to get the ultra-low quiescent current. When channels are all off for 30 ms, the device total power consumption is down to 10 μ A, making the LP503x device a possible alternative for battery-powered end equipment.

6 Pin Configuration and Functions

**LP5030 RJV Package
46-Pin VQFN With Exposed Thermal Pad
Top View**



**LP5036 RJV Package
46-Pin VQFN With Exposed Thermal Pad
Top View**



Pin Functions

NAME	PIN NO.		I/O	DESCRIPTION
	LP5030	LP5036		
ADDR0	38	38	—	I ² C slave-address selection pin. This pin must not be left floating.
ADDR1	39	39	—	I ² C slave-address selection pin. This pin must not be left floating.
EN	43	43	I	Chip enable input pin
IREF	44	44	—	Output current-reference global-setting pin
NC	31	—	—	No internal connection
NC	32	—	—	No internal connection
NC	33	—	—	No internal connection
NC	34	—	—	No internal connection
NC	35	—	—	No internal connection
NC	36	—	—	No internal connection
OUT0	1	1	O	Current sink output 0. If not used, this pin can be left floating.
OUT1	2	2	O	Current sink output 1. If not used, this pin can be left floating.
OUT2	3	3	O	Current sink output 2. If not used, this pin can be left floating.
OUT3	4	4	O	Current sink output 3. If not used, this pin can be left floating.
OUT4	5	5	O	Current sink output 4. If not used, this pin can be left floating.
OUT5	6	6	O	Current sink output 5. If not used, this pin can be left floating.
OUT6	7	7	O	Current sink output 6. If not used, this pin can be left floating.

Pin Functions (continued)

NAME	PIN		I/O	DESCRIPTION
	NO.			
	LP5030	LP5036		
OUT7	8	8	O	Current sink output 7. If not used, this pin can be left floating.
OUT8	9	9	O	Current sink output 8. If not used, this pin can be left floating.
OUT9	10	10	O	Current sink output 9. If not used, this pin can be left floating.
OUT10	11	11	O	Current sink output 10. If not used, this pin can be left floating.
OUT11	12	12	O	Current sink output 11. If not used, this pin can be left floating.
OUT12	13	13	O	Current sink output 12. If not used, this pin can be left floating.
OUT13	14	14	O	Current sink output 13. If not used, this pin can be left floating.
OUT14	15	15	O	Current sink output 14. If not used, this pin can be left floating.
OUT15	16	16	O	Current sink output 15. If not used, this pin can be left floating.
OUT16	17	17	O	Current sink output 16. If not used, this pin can be left floating.
OUT17	18	18	O	Current sink output 17. If not used, this pin can be left floating.
OUT18	19	19	O	Current sink output 18. If not used, this pin can be left floating.
OUT19	20	20	O	Current sink output 19. If not used, this pin can be left floating.
OUT20	21	21	O	Current sink output 20. If not used, this pin can be left floating.
OUT21	22	22	O	Current sink output 21. If not used, this pin can be left floating.
OUT22	23	23	O	Current sink output 22. If not used, this pin can be left floating.
OUT23	24	24	O	Current sink output 23. If not used, this pin can be left floating.
OUT24	25	25	O	Current sink output 24. If not used, this pin can be left floating.
OUT25	26	26	O	Current sink output 25. If not used, this pin can be left floating.
OUT26	27	27	O	Current sink output 26. If not used, this pin can be left floating.
OUT27	28	28	O	Current sink output 27. If not used, this pin can be left floating.
OUT28	29	29	O	Current sink output 28. If not used, this pin can be left floating.
OUT29	30	30	O	Current sink output 29. If not used, this pin can be left floating.
OUT30	—	31	O	Current sink output 30. If not used, this pin can be left floating.
OUT31	—	32	O	Current sink output 31. If not used, this pin can be left floating.
OUT32	—	33	O	Current sink output 32. If not used, this pin can be left floating.
OUT33	—	34	O	Current sink output 33. If not used, this pin can be left floating.
OUT34	—	35	O	Current sink output 34. If not used, this pin can be left floating.
OUT35	—	36	O	Current sink output 35. If not used, this pin can be left floating.
SCL	42	42	I	I ² C bus clock line. If not used, this pin must be connected to GND or VCC.
SDA	41	41	I/O	I ² C bus data line. If not used, this pin must be connected to GND or VCC.
VCAP	45	45	—	Internal LDO output pin, this pin must be connected to a 1-μF capacitor to GND.
VCC	40	40	I	Input power.
GND	37	37	—	The ground pin for the device.
GND	46	46	—	The ground pin for the device.
Thermal pad	GND	GND	—	Exposed thermal pad also serves as a ground for the device.

7 Specifications

7.1 Absolute Maximum Ratings

over operating ambient temperature range (unless otherwise noted)⁽¹⁾

	MIN	MAX	UNIT
Voltage on EN, IREF, OUTx, SCL, SDA, VCC	-0.3	6	V
Voltage on ADDR _x	-0.3	VCC+0.3	V
Voltage on VCAP	-0.3	2	V
Continuous power dissipation	Internally limited		
Junction temperature, T _{J-MAX}	-40	125	°C
Storage temperature, T _{stg}	-65	150	°C

- (1) Stresses beyond those listed under *Absolute Maximum Ratings* may cause permanent damage to the device. These are stress ratings only, which do not imply functional operation of the device at these or any other conditions beyond those indicated under *Recommended Operating Conditions*. Exposure to absolute-maximum-rated conditions for extended periods may affect device reliability.

7.2 ESD Ratings

		VALUE	UNIT
V _(ESD)	Electrostatic discharge	Human-body model (HBM), per ANSI/ESDA/JEDEC JS-001 ⁽¹⁾	±4000
		Charged-device model (CDM), per JEDEC specification JESD22-C101 ⁽²⁾	±1500

- (1) JEDEC document JEP155 states that 500-V HBM allows safe manufacturing with a standard ESD control process. Pins listed as ±1500 V may actually have higher performance.
 (2) JEDEC document JEP157 states that 250-V CDM allows safe manufacturing with a standard ESD control process. Pins listed as ±500 V may actually have higher performance.

7.3 Recommended Operating Conditions

over operating ambient temperature range (unless otherwise noted)

	MIN	MAX	UNIT
Input voltage on VCC	2.7	5.5	V
Voltage on OUT _x	0	5.5	V
Voltage on ADDR _x , EN, SDA, SCL	0	5.5	V
Operating ambient temperature, T _A	-40	85	°C

7.4 Thermal Information

THERMAL METRIC ⁽¹⁾		LP5030 or LP5036	UNIT
		RJV (QFN)	
		46 PINS	
R _{θJA}	Junction-to-ambient thermal resistance	35.7	°C/W
R _{θJC(top)}	Junction-to-case (top) thermal resistance	29.1	°C/W
R _{θJB}	Junction-to-board thermal resistance	16.2	°C/W
ψ _{JT}	Junction-to-top characterization parameter	0.9	°C/W
ψ _{JB}	Junction-to-board characterization parameter	16.2	°C/W
R _{θJC(bot)}	Junction-to-case (bottom) thermal resistance	6.3	°C/W

- (1) For more information about traditional and new thermal metrics, see [Semiconductor and IC Package Thermal Metrics](#).

7.5 Electrical Characteristics

 over operating ambient temperature range ($-40^{\circ}\text{C} < T_A < 85^{\circ}\text{C}$) (unless otherwise noted)

PARAMETER		TEST CONDITIONS	MIN	TYP	MAX	UNIT
POWER SUPPLIES (VCC)						
V_{VCC}	Supply voltage ⁽¹⁾		2.7		5.5	V
I_{VCC}	Shutdown supply current	$V_{EN} = 0\text{ V}$		0.2	1	μA
	Standby supply current	$V_{EN} = 3.3\text{ V}$, Chip_EN = 0 (bit)		6	12	μA
	Normal-mode supply current	With 10-mA LED current per OUTx		6.5	10	mA
	Power-save mode supply current	$V_{EN} = 3.3\text{ V}$, Chip_EN = 1 (bit), Power_Save_EN = 1 (bit), all the LEDs off duration $> t_{PSM}$		6	12	μA
V_{UVR}	Undervoltage restart	V_{VCC} rising			2.5	V
V_{UVF}	Undervoltage shutdown	V_{VCC} falling	2			V
V_{UV_HYS}	Undervoltage shutdown hysteresis			0.2		V
OUTPUT STAGE (OUTx)						
I_{MAX}	Maximum sink current (OUT0 – OUT35)	V_{VCC} in full range, Max_Current_Option = 0 (bit), PWM = 100%			25.5	mA
	Maximum sink current (OUT0 – OUT35)	$V_{VCC} \geq 3.3\text{ V}$, Max_Current_Option = 1 (bit), PWM = 100%			35	
I_{LIM}	Internal sink current limit (OUT0 – OUT35)	V_{VCC} in full range, Max_Current_Option = 0 (bit), $V_{IREF} = 0\text{ V}$	35	55	80	mA
	Internal sink current limit (OUT0 – OUT35)	$V_{VCC} \geq 3.3\text{ V}$, Max_Current_Option=1 (bit), $V_{IREF} = 0\text{ V}$	40	75	120	
I_{LKG}	Leakage current (OUT0 – OUT35)	PWM = 0%		0.1	1	μA
I_{ERR_DD}	Device to device current error, $I_{ERR_DD} = (I_{AVE} - I_{SET}) / I_{SET} \times 100\%$	$V_{VCC} = 3.3\text{ V}$. All channels' current set to 10 mA. PWM = 100%. Already includes the V_{IREF} and K_{IREF} tolerance	-5%		5%	
I_{ERR_CC}	Channel to channel current error, $I_{ERR_CC} = (I_{OUTX} - I_{AVE}) / I_{AVE} \times 100\%$	$V_{VCC} = 3.3\text{ V}$. All channels' current set to 10 mA. PWM = 100%. Already includes the V_{IREF} and K_{IREF} tolerance	-5%		5%	
V_{IREF}	IREF voltage ⁽¹⁾			0.7		V
K_{IREF}	IREF ratio ⁽¹⁾			105		
f_{PWM}	PWM switching frequency ⁽¹⁾		21	29		kHz
V_{SAT}	Output saturation voltage	V_{VCC} in full range, Max_Current_Option = 0 (bit), output current set to 20 mA, the voltage when the LED current has dropped 5%		0.25	0.35	V
		$V_{VCC} \geq 3.3\text{ V}$, Max_Current_Option = 1 (bit), output current set to 20 mA, the voltage when the LED current has dropped 5%		0.3	0.4	
LOGIC INPUTS (EN, SCL, SDA, ADDRx)						
V_{IL}	Low level input voltage				0.4	V
V_{IH}	High level input voltage		1.4			V
I_{LOGIC}	Input current		-1		1	μA
V_{SDA}	SDA output low level	$I_{PULLUP} = 5\text{ mA}$			0.4	V

(1) Specified by design

Electrical Characteristics (continued)

over operating ambient temperature range ($-40^{\circ}\text{C} < T_A < 85^{\circ}\text{C}$) (unless otherwise noted)

PARAMETER		TEST CONDITIONS	MIN	TYP	MAX	UNIT
PROTECTION CIRCUITS						
$T_{(TSD)}$	Thermal-shutdown junction temperature ⁽¹⁾			160		$^{\circ}\text{C}$
$T_{(HYS)}$	Thermal shutdown temperature hysteresis ⁽¹⁾			15		$^{\circ}\text{C}$

7.6 Timing Requirements

over operating ambient temperature range ($-40^{\circ}\text{C} < T_A < 85^{\circ}\text{C}$) (unless otherwise noted)

		MIN	TYP	MAX	UNIT
f_{OSC}	Internal oscillator frequency ⁽¹⁾		15		MHz
t_{PSM}	Power save mode deglitch time ⁽¹⁾	20	30	40	ms
$t_{\text{EN_H}}$	EN first rising edge until first I ² C access ⁽¹⁾			500	μs
$t_{\text{EN_L}}$	EN first falling edge until first I ² C reset ⁽¹⁾			3	μs
f_{SCL}	I ² C clock frequency ⁽¹⁾			400	kHz
1	Hold time (repeated) START condition ⁽¹⁾	0.6			μs
2	Clock low time ⁽¹⁾	1.3			μs
3	Clock high time ⁽¹⁾	600			ns
4	Setup time for a repeated START condition ⁽¹⁾	600			ns
5	Data hold time ⁽¹⁾	0			ns
6	Data setup time ⁽¹⁾	100			ns
7	Rise time of SDA and SCL ⁽¹⁾	$20 + 0.1 C_b$			ns
8	Fall time of SDA and SCL ⁽¹⁾	$15 + 0.1 C_b$			ns
9	Setup time for STOP condition ⁽¹⁾	600			ns
10	Bus free time between a STOP and a START condition ⁽¹⁾	1.3			μs
C_b	Capacitive load parameter for each bus line Load of 1 pF corresponds to one nanosecond ⁽¹⁾ .	10		200	pF

(1) Specified by design

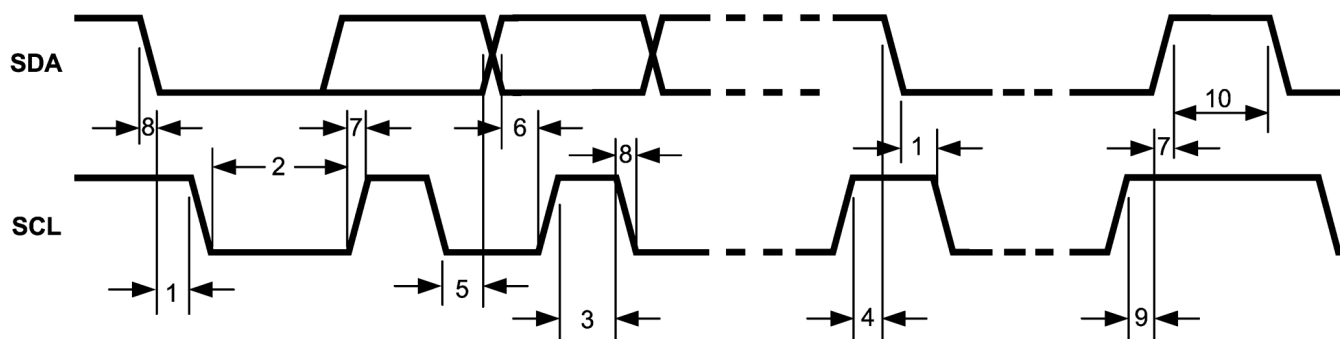
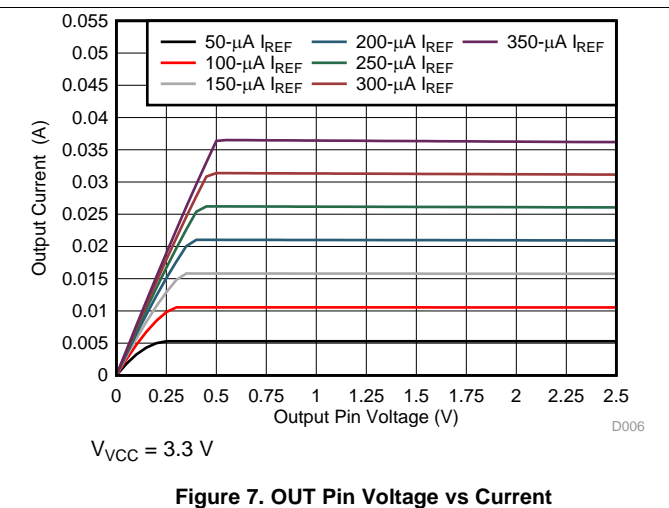
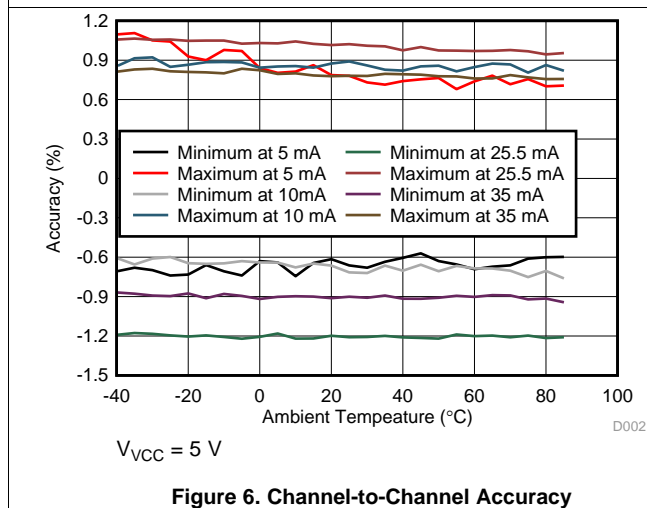
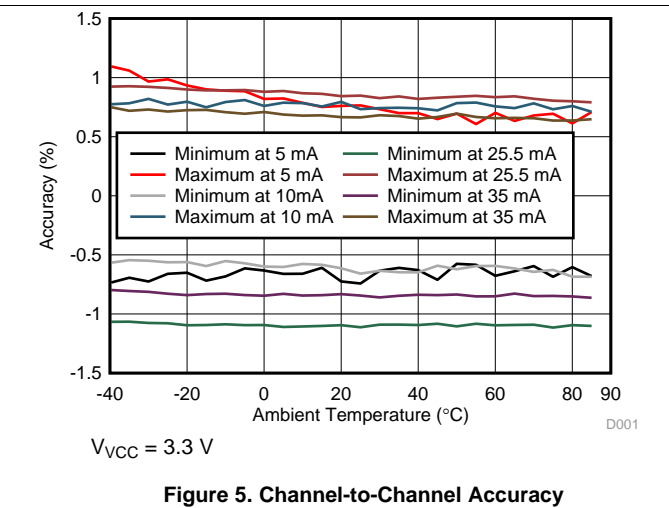
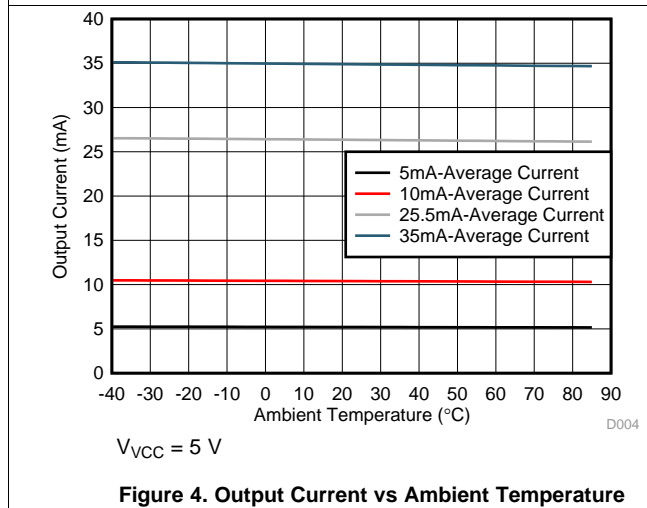
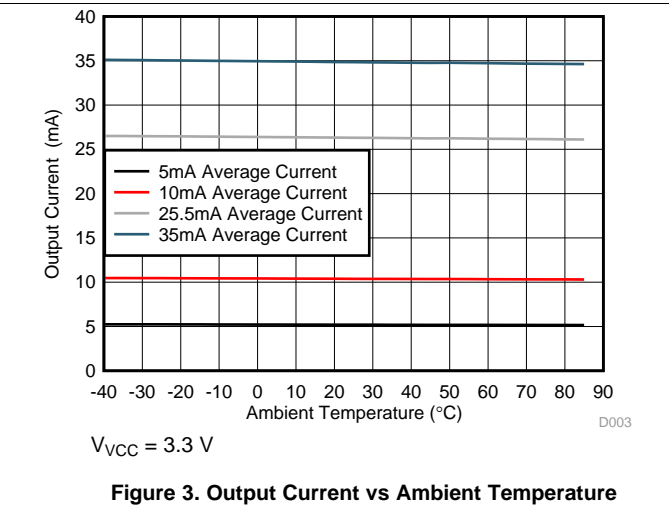
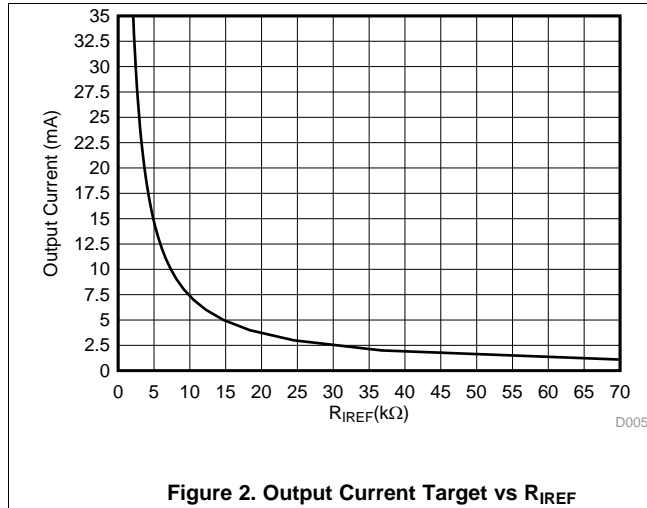
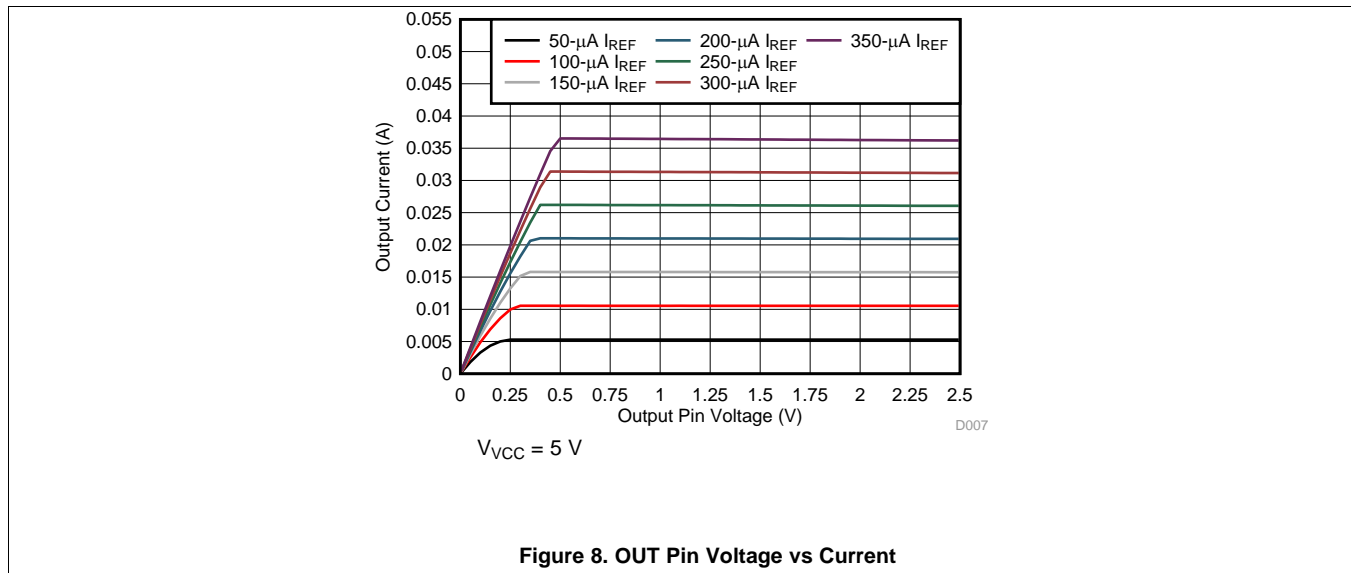


Figure 1. I²C Timing Parameters

7.7 Typical Characteristics



Typical Characteristics (continued)



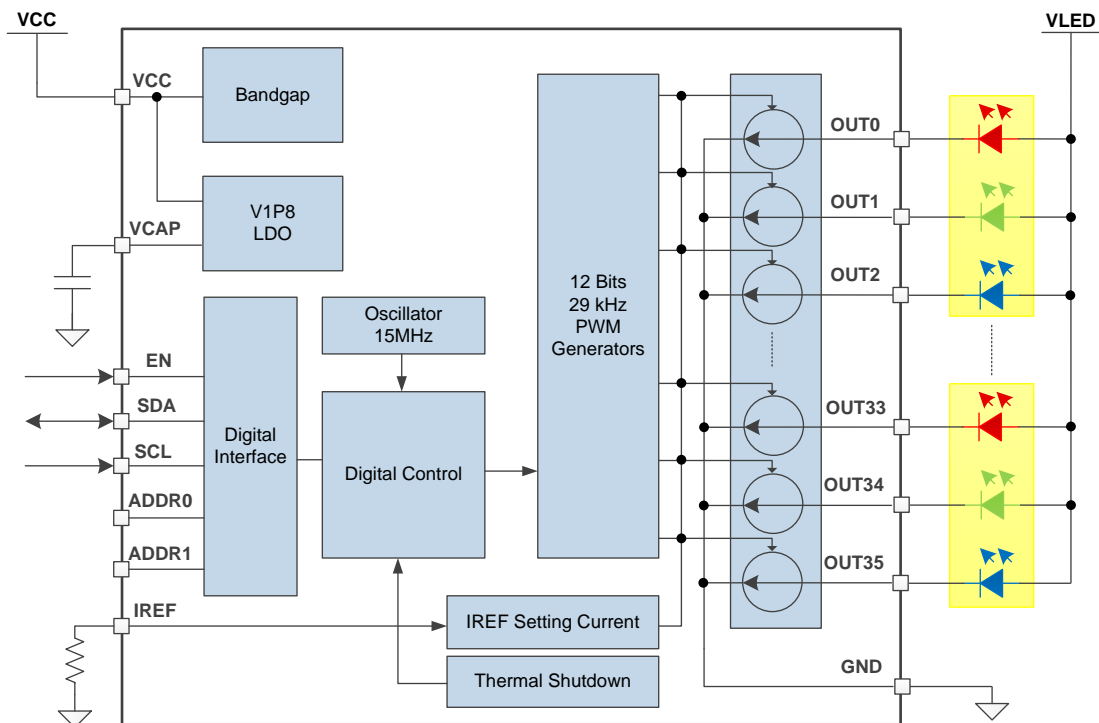
8 Detailed Description

8.1 Overview

The LP503x device is a 30- or 36-channel constant-current-sink LED driver. The LP503x device includes all necessary power rails, an on-chip oscillator, and a two-wire serial I²C interface. The maximum constant-current value of all channels is set by a single external resistor. Two hardware address pins allow up to four devices on the same bus. An automatic power-saving mode is implemented to keep the total current consumption under 10 μ A, which makes the LP503x device a potential choice for battery-powered end-equipment.

The LP503x device is optimized for RGB LEDs regarding both live effects and software efforts. The LP503x device controls each LED output with 12-bit PWM resolution at 29-kHz switching frequency, which helps achieve a smooth dimming effect and eliminates audible noise. The independent color-mixing and intensity-control registers make the software coding straightforward. When targeting a fade-in, fade-out type breathing effect, the global RGB bank control reduces the microcontroller loading significantly. The LP503x device also implements a PWM phase-shifting function to help reduce the input power budget when LEDs turn on simultaneously.

8.2 Functional Block Diagram



8.3 Feature Description

8.3.1 Each Channel PWM Control

Most traditional LED drivers are designed for the single-color LEDs, in which the high resolution PWM generator is used for intensity control only. However, for RGB LEDs, both the color mixing and intensity control should be addressed to achieve the target effect. With the traditional solution, the users must handle the color mixing and intensity control simultaneously with a single PWM register. Several undesired effects occur: the limited dimming steps, the complex software design, and the color distortion when using a logarithmic scale control.

The LP503x device is designed with independent color mixing and intensity control, which makes the RGB LED effects fancy and the control experience straightforward. With the inputs of the color-mixing register and the intensity-control register, the final PWM generator output for each channel is 12-bit resolution and 29-kHz dimming frequency, which helps achieve a smooth dimming effect and eliminates audible noise. See [Figure 9](#).

Feature Description (continued)

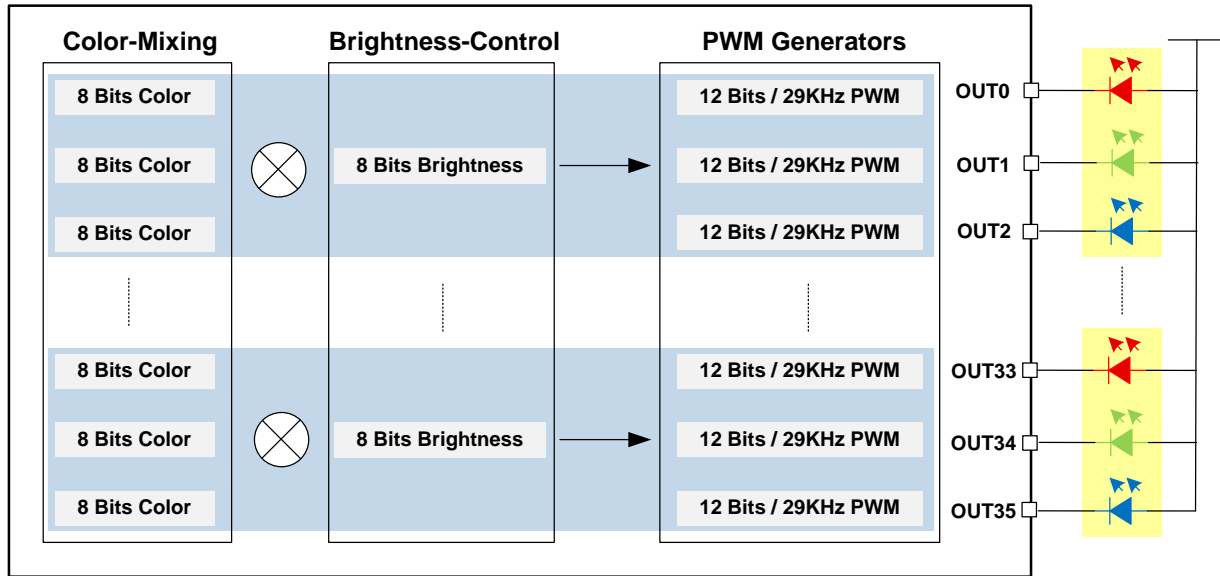


Figure 9. PWM Control Scheme for Each Channel

8.3.1.1 Independent Color Mixing Per RGB LED Module

Each output channel has its own individual 8-bit color-setting register (OUTx_COLOR). The device allows every RGB LED module to achieve >16 million (256 × 256 × 256) color-mixing.

8.3.1.2 Independent Intensity Control Per RGB LED Module

When color is fixed, the independent intensity-control is used to achieve accurate and flexible dimming control for every RGB LED module.

8.3.1.2.1 Intensity-Control Register Configuration

Every three consecutive output channels are assigned to their respective intensity-control register (LEDx_BRIGHTNESS). For example, OUT0, OUT1, and OUT2 are assigned to LED0_BRIGHTNESS, so it is recommended to connect the RGB LEDs in the sequence as shown in Table 1. The LP503x device allows 256-step intensity control for each RGB LED module, which helps achieve a smooth dimming effect.

Keeping FFh (default value) in the LED0_BRIGHTNESS register results in 100% dimming duty cycle. With this setting, the users can just configure the color mixing register by channel to achieve the target dimming effect in a single-color LED application.

8.3.1.2.2 Logarithmic- or Linear-Scale Intensity Control

For human-eye-friendly visual performance, a logarithmic-scale dimming curve is usually implemented in LED drivers. However, for RGB LEDs, if using a single register to achieve both color mixing and intensity control, color distortion can be observed easily when using a logarithmic scale. The LP503x device, with independent color-mixing and intensity-control registers, implements the logarithmic scale dimming control inside the intensity control function, which solves the color distortion issue effectively. See Figure 10. Also, the LP503x device allows users to configure the dimming scale either logarithmically or linearly through the global Log_Scale_EN register bit. If a special dimming curve is desired, using the linear scale with software correction is the most flexible approach. See Figure 11.

Feature Description (continued)

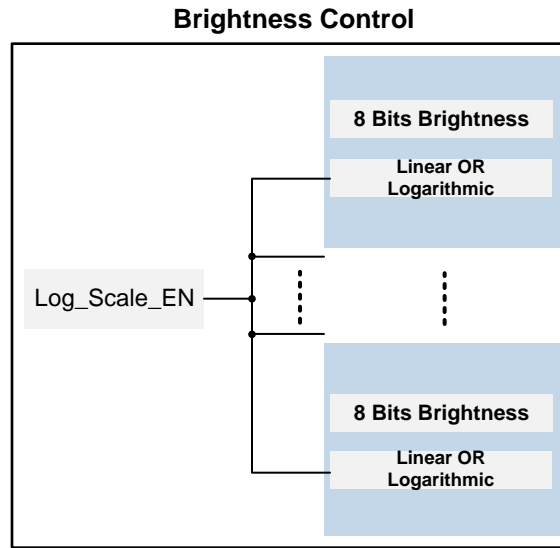


Figure 10. Logarithmic or Linear Scale Intensity Control

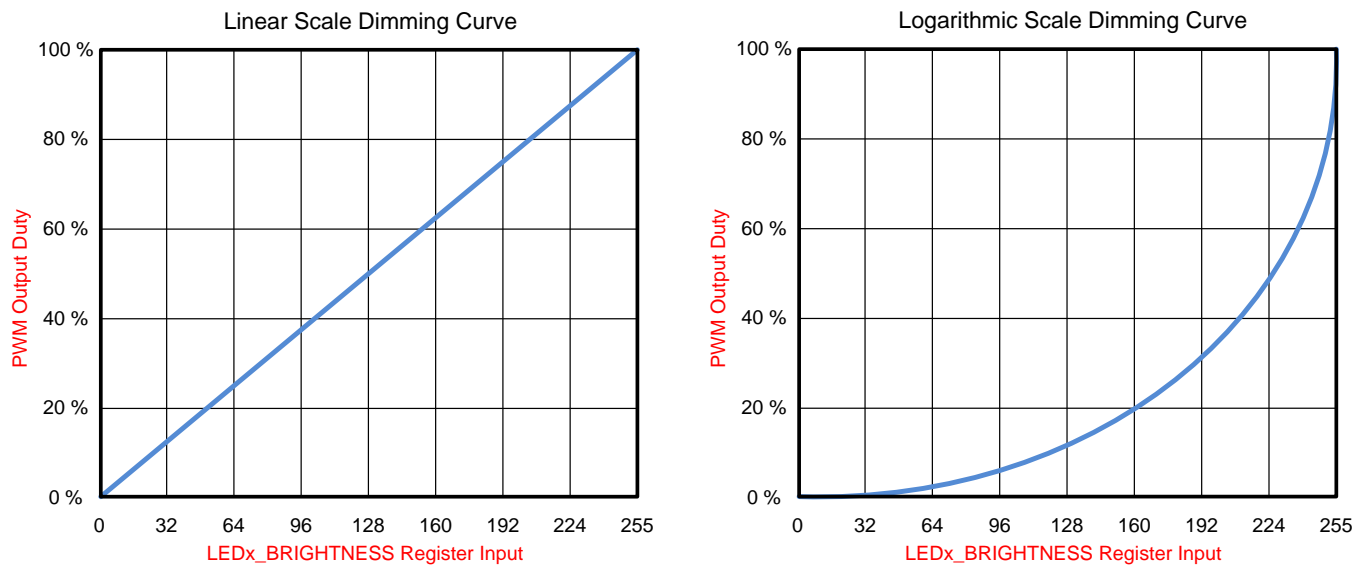


Figure 11. Logarithmic vs Linear Dimming Curve

8.3.1.3 12-Bit, 29-kHz PWM Generator Per Channel

8.3.1.3.1 PWM Generator

With the inputs of the color mixing and the intensity control, the final output PWM duty cycle is defined as the product obtained by multiplying the color-mixing register value by the related intensity-control register value. The final output PWM duty cycle has 12 bits of control accuracy, which is achieved by a 9 bits of pure PWM resolution and 3 bits of dithering digital control. For 3-bit dithering, every eighth pulse is made 1 LSB longer to increase the average value by 1 / 8th. The LP503x device allows the users to enable or disable the dithering function through the PWM_Dithering_EN register. When enabled (default), the output PWM duty-cycle accuracy is 12 bits. When disabled, the output PWM duty-cycle accuracy is 9 bits.

To eliminate the audible noise due to the PWM switching, the LP503x device sets the PWM switching frequency at 29-kHz, above the 20-kHz human hearing range.

Feature Description (continued)

8.3.1.4 PWM Phase-Shifting

A PWM phase-shifting scheme allows delaying the time when each LED driver is active. When the LED drivers are not activated simultaneously, the peak load current from the pre-stage power supply is significantly decreased. The scheme also reduces input-current ripple and ceramic-capacitor audible ringing. LED drivers are grouped into three different phases.

- Phase 1—the rising edge of the PWM pulse is fixed. The falling edge of the pulse is changed when the duty cycle changes. Phase 1 is applied to LED0, LED3, ..., LED[3 × (n – 1)].
- Phase 2—the middle point of the PWM pulse is fixed. The pulse spreads in both directions when the PWM duty cycle is increased. Phase 2 is applied to LED1, LED4, ..., LED[3 × (n – 1) + 1].
- Phase 3—the falling edge of the PWM pulse is fixed. The rising edge of the pulse is changed when the duty cycle changes. Phase 3 is applied to LED2, LED5, ..., LED[3 × (n – 1) + 2].
- For LP5030, n = 10. For LP5036, n = 12.

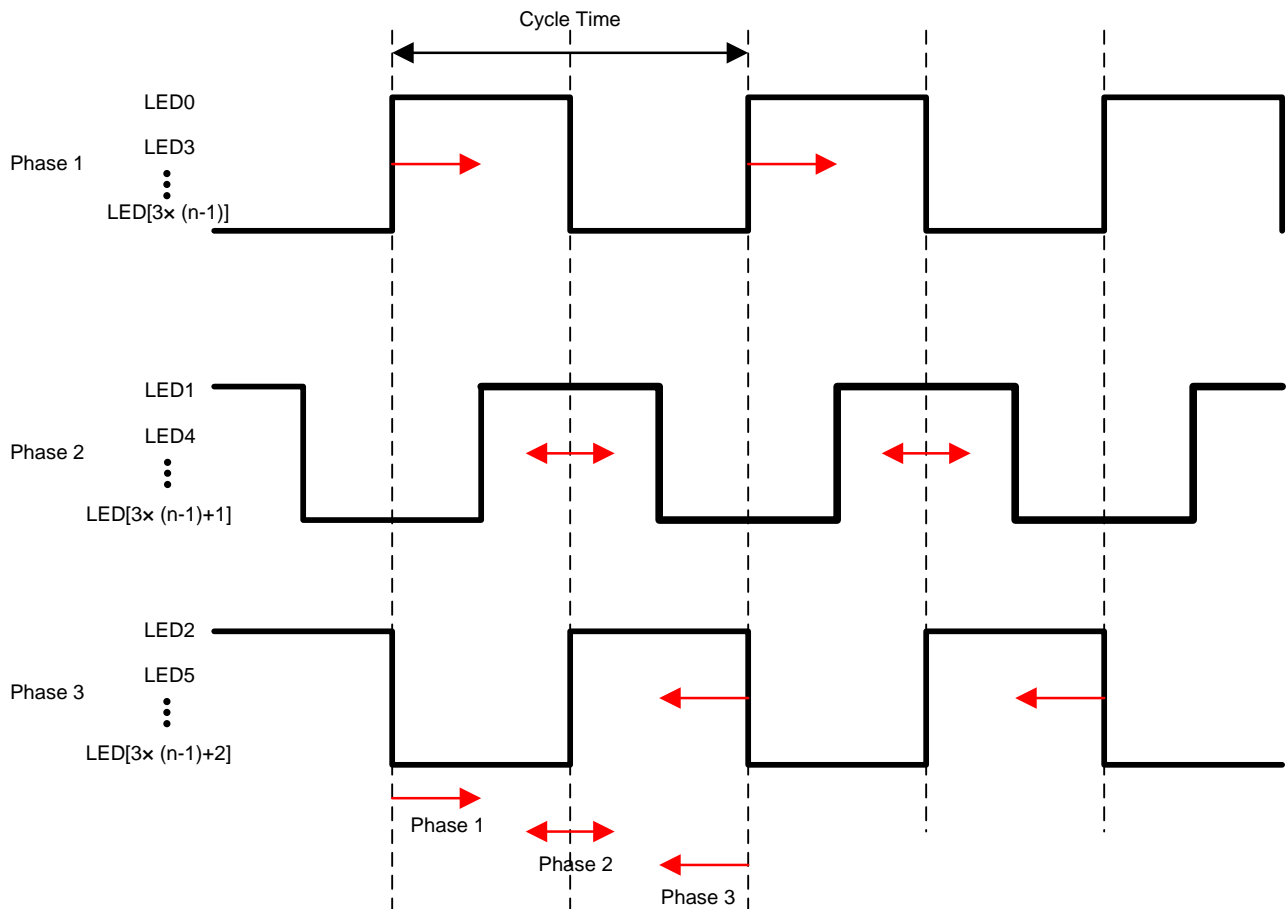


Figure 12. PWM Phase-Shifting

8.3.2 LED Bank Control

For most LED-animation effects, like blinking and breathing, all the RGB LEDs have the same lighting pattern. Instead of controlling the individual LED separately, which occupies the microcontroller resources heavily, the LP503x device provides an easy coding approach, the LED bank control.

Feature Description (continued)

Each channel can be configured as either independent control or bank control through the LEDx_Bank_EN register. When LEDx_Bank_EN = 0 (default), the LED is controlled independently by the related color-mixing and intensity-control registers. When LEDx_Bank_EN = 1, the LP503x device drives the LED in LED bank-control mode. The LED bank has its own independent PWM control scheme, which is the same structure as the PWM scheme of each channel. See [Each Channel PWM Control](#) for more details. When a channel configured as LED bank-control mode, the related color mixing and intensity control is governed by the bank control registers (BANK_A_COLOR, BANK_B_COLOR, BANK_C_COLOR, and BANK_BRIGHTNESS) regardless of the inputs on its own color-mixing and intensity-control registers.

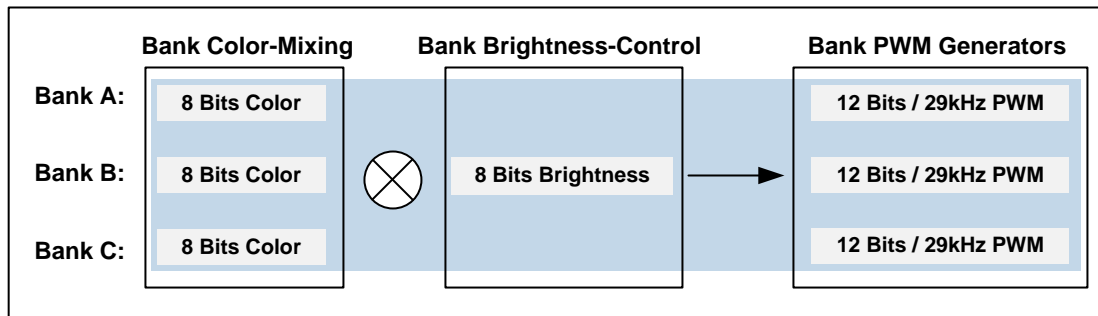


Figure 13. Bank PWM Control Scheme

Table 1. Bank Number and LED Number Assignment

OUT NUMBER	BANK NUMBER	RGB LED MODULE NUMBER
OUT0	Bank A	LED0
OUT1	Bank B	
OUT2	Bank C	
OUT3	Bank A	LED1
OUT4	Bank B	
OUT5	Bank C	
OUT6	Bank A	LED2
OUT7	Bank B	
OUT8	Bank C	
OUT9	Bank A	LED3
OUT10	Bank B	
OUT11	Bank C	
OUT12	Bank A	LED4
OUT13	Bank B	
OUT14	Bank C	
OUT15	Bank A	LED5
OUT16	Bank B	
OUT17	Bank C	
OUT18	Bank A	LED6
OUT19	Bank B	
OUT20	Bank C	
OUT21	Bank A	LED7
OUT22	Bank B	
OUT23	Bank C	
OUT24	Bank A	LED8
OUT25	Bank B	
OUT26	Bank C	

Feature Description (continued)

Table 1. Bank Number and LED Number Assignment (continued)

OUT NUMBER	BANK NUMBER	RGB LED MODULE NUMBER
OUT27	Bank A	LED9
OUT28	Bank B	
OUT29	Bank C	
OUT30	Bank A	LED10 ⁽¹⁾
OUT31	Bank B	
OUT32	Bank C	
OUT33	Bank A	LED11 ⁽¹⁾
OUT34	Bank B	
OUT35	Bank C	

(1) For LP5036 only.

With the bank control configuration, the LP503x device enables users to achieve smooth and live LED effects globally with an ultra-simple software effort. Figure 14 shows an example using LED0 as an independent RGB indicator and others with group breathing effect.

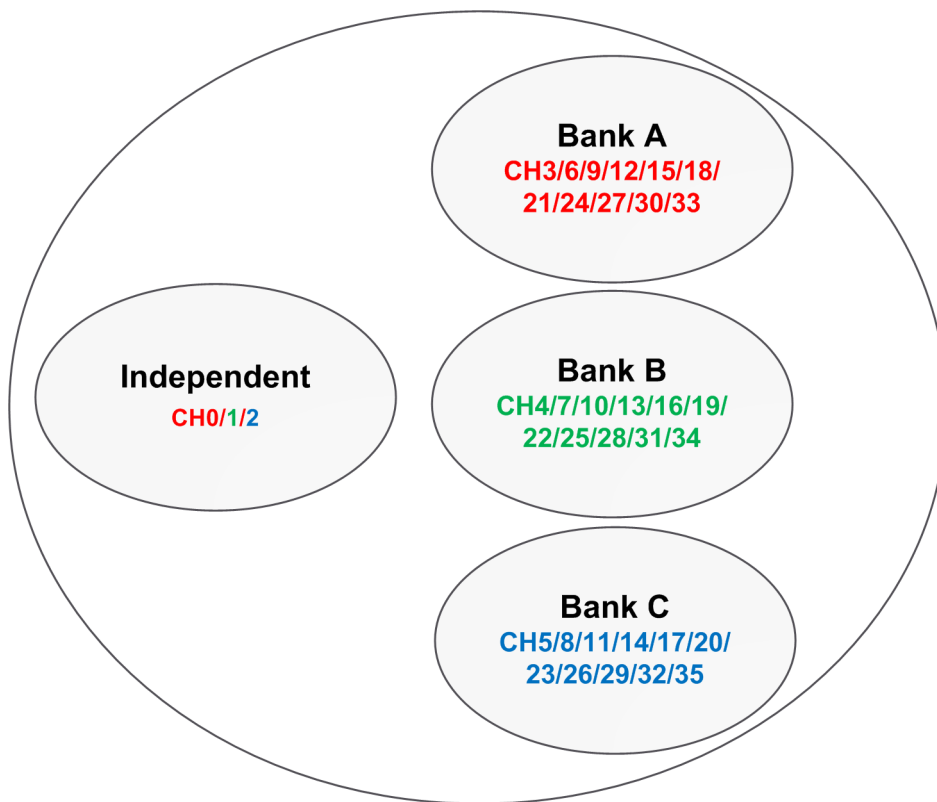


Figure 14. Bank PWM Control Example

8.3.3 Current Range Setting

The maximum constant-current value of all 30 or 36 channels is set by a single external resistor, R_{IREF} . The value of R_{IREF} can be calculated by [Equation 1](#).

$$R_{IREF} = K_{IREF} \times \frac{V_{IREF}}{I_{SET}}$$

where:

- $K_{IREF} = 105$
 - $V_{IREF} = 0.7 \text{ V}$
- (1)

With the IREF pin floating, the output current is close to zero. With the IREF pin shorted to GND, the LP503x device provides internal current-limit protection, and the output-channel maximum current is limited to I_{LIM} .

The LP503x device supports two levels of maximum output current, I_{MAX} .

- When V_{CC} is in the range from 2.7 V to 5.5 V, and the Max_Current_Option (bit) = 0, $I_{MAX} = 25.5 \text{ mA}$.
- When V_{CC} is in the range from 3.3 V to 5.5 V, and the Max_Current_Option (bit) = 1, $I_{MAX} = 35 \text{ mA}$.

8.3.4 Automatic Power-Save Mode

When all the LED outputs are inactive, the LP503x device is able to enter power-save mode automatically, thus lowering idle-current consumption down to 12 μA (maximum). Automatic power-save mode is enabled when register bit Power_Save_EN = 1 (default) and all the LEDs are off for a duration of >30 ms. Almost all analog blocks are powered down in power-save mode. If any I²C command to the device occurs, the LP503x device returns to NORMAL mode.

8.3.5 Protection Features

8.3.5.1 Thermal Shutdown

The LP503x device implements a thermal shutdown mechanism to protect the device from damage due to overheating. When the junction temperature rises to 160°C (typical), the device switches into shutdown mode. The LP503x device releases thermal shutdown when the junction temperature of the device is reduced to 145°C (typical).

8.3.5.2 UVLO

The LP503x device has an internal comparator that monitors the voltage at V_{CC} . When V_{CC} is below V_{UVF} , reset is active and the LP503x device is in the INITIALIZATION state.

8.4 Device Functional Modes

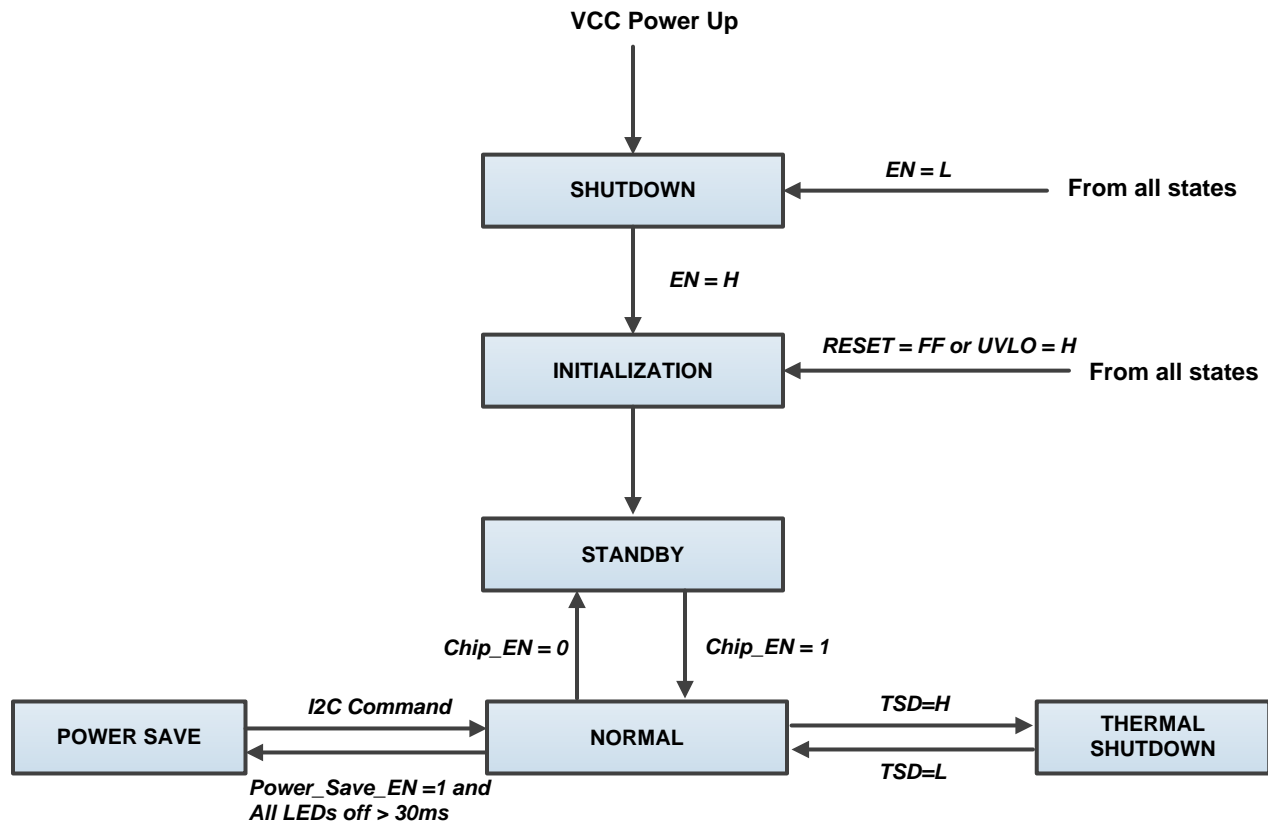


Figure 15. Functional Modes

- **INITIALIZATION:** The device enters into INITIALIZATION mode when EN = H. In this mode, all the registers are reset. Entry can also be from any state, if the RESET (register) = FFh or UVLO is active.
- **NORMAL:** The device enters the NORMAL mode when Chip_EN (register) = 1. I_{CC} is 10 mA (typical).
- **POWER SAVE:** The device automatically enters the POWER SAVE mode when Power_Save_EN (register) = 1 and all the LEDs are off for a duration of >30 ms. In POWER SAVE mode, analog blocks are disabled to minimize power consumption, but the registers retain the data and keep it available via I²C. I_{CC} is 12 μ A (maximum). In case of any I²C command to this device, it goes back to the NORMAL mode.
- **SHUTDOWN:** The device enters into SHUTDOWN mode from all states on V_{CC} power up or when EN = L. I_{CC} is < 1 μ A (max).
- **STANDBY:** The device enters the STANDBY mode when Chip_EN (register bit) = 0. In this mode, all the OUTx are shut down, but the registers retain the data and keep it available via I²C. STANDBY is the low-power-consumption mode, when all circuit functions are disabled. I_{CC} is 10 μ A (maximum).
- **THERMAL SHUTDOWN:** The device automatically enters the THERMAL SHUTDOWN mode when the junction temperature exceeds 160°C (typical). In this mode, all the OUTx outputs are shut down. If the junction temperature decreases below 145°C (typical), the device returns to the NORMAL mode.

8.5 Programming

8.5.1 I²C Interface

The I²C-compatible two-wire serial interface provides access to the programmable functions and registers on the device. This protocol uses a two-wire interface for bidirectional communications between the devices connected to the bus. The two interface lines are the serial data line (SDA) and the serial clock line (SCL). Every device on the bus is assigned a unique address and acts as either a master or a slave depending on whether it generates or receives the serial clock, SCL. The SCL and SDA lines should each have a pullup resistor placed somewhere on the line and remain HIGH even when the bus is idle.

8.5.1.1 Data Validity

The data on SDA line must be stable during the HIGH period of the clock signal (SCL). In other words, the state of the data line can only be changed when the clock signal is LOW.

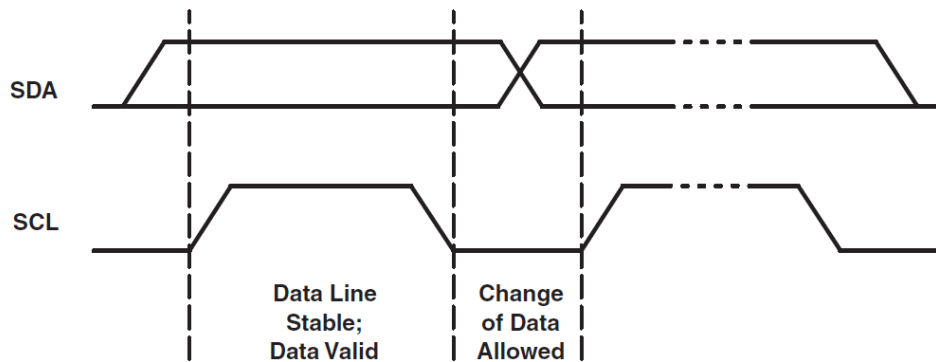


Figure 16. Data Validity

8.5.1.2 Start and Stop Conditions

START and STOP conditions classify the beginning and the end of the data transfer session. A START condition is defined as the SDA signal transitioning from HIGH to LOW while the SCL line is HIGH. A STOP condition is defined as the SDA transitioning from LOW to HIGH while SCL is HIGH. The bus master always generates START and STOP conditions. The bus is considered to be busy after a START condition and free after a STOP condition. During data transmission, the bus master can generate repeated START conditions. First START and repeated START conditions are functionally equivalent.

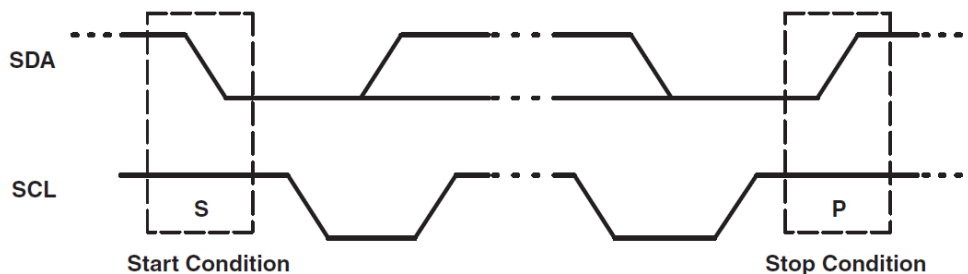


Figure 17. Start and Stop Conditions

8.5.1.3 Transferring Data

Every byte put on the SDA line must be eight bits long, with the most-significant bit (MSB) being transferred first. Each byte of data must be followed by an acknowledge bit. The acknowledge-related clock pulse is generated by the master. The master releases the SDA line (HIGH) during the acknowledge clock pulse. The device pulls down the SDA line during the 9th clock pulse, signifying an acknowledge. The device generates an acknowledge after each byte has been received.

Programming (continued)

There is one exception to the acknowledge-after-every-byte rule. When the master is the receiver, it must indicate to the transmitter an end of data by not acknowledging (negative acknowledge) the last byte clocked out of the slave. This negative acknowledge still includes the acknowledge clock pulse (generated by the master), but the SDA line is not pulled down.

After the START condition, the bus master sends a chip address. This address is seven bits long followed by an eighth bit, which is a data direction bit (READ or WRITE). For the eighth bit, a 0 indicates a WRITE, and a 1 indicates a READ. The second byte selects the register to which the data is written. The third byte contains data to write to the selected register.

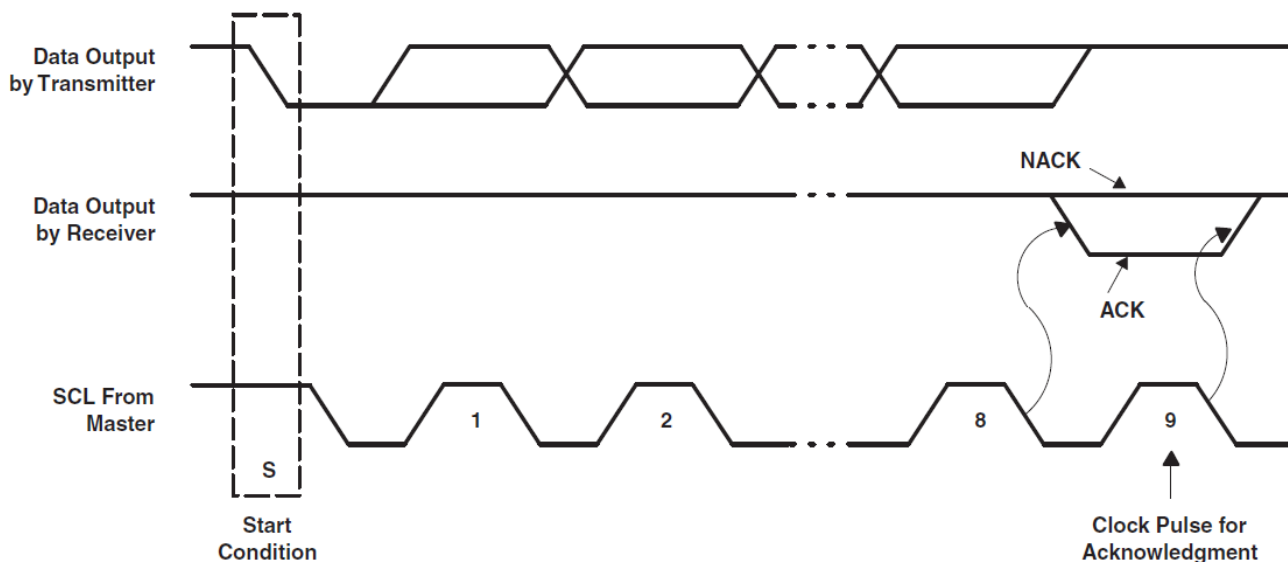


Figure 18. Acknowledge and Not Acknowledge on I²C Bus

8.5.1.4 I²C Slave Addressing

The device slave address is defined by connecting GND or VCC to the ADDR0 and ADDR1 pins. A total of four independent slave addresses can be realized by combinations when GND or VCC is connected to the ADDR0 and ADDR1 pins (see Table 2 and Table 3).

The device responds to a broadcast slave address regardless of the setting of the ADDR0 and ADDR1 pins. Global writes to the broadcast address can be used for configuring all devices simultaneously. The device supports global read using a broadcast address; however, the data read is only valid if all devices on the I²C bus contain the same value in the addressed register.

Table 2. Slave-Address Combinations

ADDR1	ADDR0	SLAVE ADDRESS	
		INDEPENDENT	BROADCAST
GND	GND	011 0000	001 1100
GND	VCC	011 0001	
VCC	GND	011 0010	
VCC	VCC	011 0011	

Table 3. Chip Address

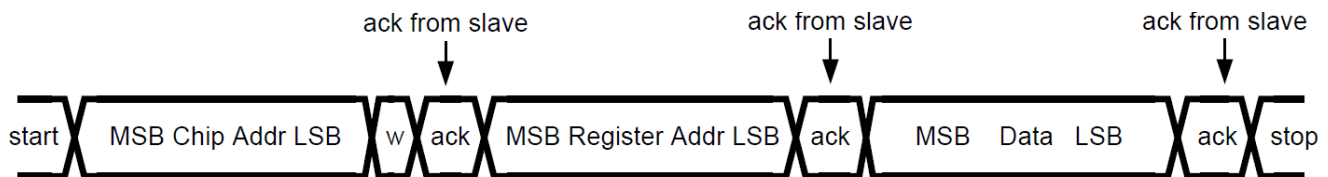
	SLAVE ADDRESS							R/W
	Bit 7	Bit 6	Bit 5	Bit 4	Bit 3	Bit 2	Bit 1	Bit 0
Independent	0	1	1	0	0	ADDR1	ADDR0	1 or 0

Table 3. Chip Address (continued)

	SLAVE ADDRESS							R/ \overline{W}
	Bit 7	Bit 6	Bit 5	Bit 4	Bit 3	Bit 2	Bit 1	Bit 0
Broadcast	0	0	1	1	1	0	0	1 or 0

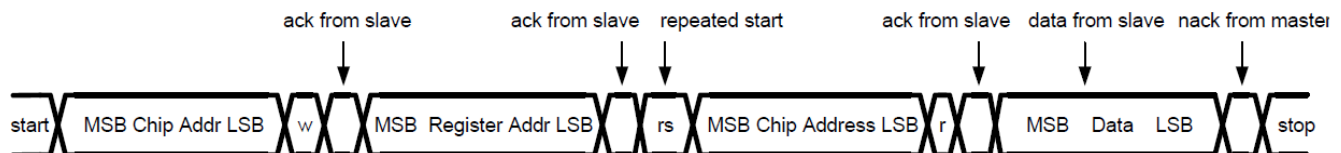
8.5.1.5 Control-Register Write Cycle

- The master device generates a start condition.
- The master device sends the slave address (7 bits) and the data direction bit ($R/\overline{W} = 0$).
- The slave device sends an acknowledge signal if the slave address is correct.
- The master device sends the control register address (8 bits).
- The slave device sends an acknowledge signal.
- The master device sends the data byte to be written to the addressed register.
- The slave device sends an acknowledge signal.
- If the master device sends further data bytes, the control register address of the slave is incremented by 1 after the acknowledge signal. To reduce program load time, the device supports address auto incrementation. The register address is incremented after each 8 data bits.
- The write cycle ends when the master device creates a stop condition.


Figure 19. Write Cycle

8.5.1.6 Control-Register Read Cycle

- The master device generates a start condition.
- The master device sends the slave address (7 bits) and the data direction bit ($R/\overline{W} = 0$).
- The slave device sends an acknowledge signal if the slave address is correct.
- The master device sends the control register address (8 bits).
- The slave device sends an acknowledge signal.
- The master device generates a repeated-start condition.
- The master device sends the slave address (7 bits) and the data direction bit ($R/\overline{W} = 1$).
- The slave device sends an acknowledge signal if the slave address is correct.
- The slave device sends the data byte from the addressed register.
- If the master device sends an acknowledge signal, the control-register address is incremented by 1. The slave device sends the data byte from the addressed register. To reduce program load time, the device supports address auto incrementation. The register address is incremented after each 8 data bits.
- The read cycle ends when the master device does not generate an acknowledge signal after a data byte and generates a stop condition.


Figure 20. Read Cycle

8.5.1.7 Auto-Increment Feature

The auto-increment feature allows writing or reading several consecutive registers within one transmission. For example, when an 8-bit word is sent to the device, the internal address index counter is incremented by 1, and the next register is written. The auto-increment feature is enabled by default and can be disabled by setting the Auto_Incr_EN bit = 0 in the DEVICE_CONFIG1 register. The auto-increment feature is applied for the full register address from 0h to FFh.

8.6 Register Maps

Table 4 lists the memory-mapped registers of the device.

Table 4. Register Maps

REGISTER NAME	ADDR	TYPE	D7	D6	D5	D4	D3	D2	D1	D0	DEF AULT	
DEVICE_CONFIG0	00h	R \bar{W}	RESERVED	Chip_EN	RESERVED						00h	
DEVICE_CONFIG1	01h	R \bar{W}	RESERVED		Log_Scale_EN	Power_Save_EN	Auto_Incr_EN	PWM_Dithering_EN	Max_Current_Option	LED_Global_Off	3Ch	
LED_CONFIG0	02h	R \bar{W}	LED7_Bank_EN	LED6_Bank_EN	LED5_Bank_EN	LED4_Bank_EN	LED3_Bank_EN	LED2_Bank_EN	LED1_Bank_EN	LED0_Bank_EN	00h	
LED_CONFIG1	03h	R \bar{W}	RESERVED				LED11_Bank_EN	LED10_Bank_EN	LED9_Bank_EN	LED8_Bank_EN	00h	
BANK_BRIGHTNESS	04h	R \bar{W}	Bank_Brightness									FFh
BANK_A_COLOR	05h	R \bar{W}	Bank_A_Color									00h
BANK_B_COLOR	06h	R \bar{W}	Bank_B_Color									00h
BANK_C_COLOR	07h	R \bar{W}	Bank_C_Color									00h
LED0_BRIGHTNESS	08h	R \bar{W}	LED0_Brightness									FFh
LED1_BRIGHTNESS	09h	R \bar{W}	LED1_Brightness									FFh
LED2_BRIGHTNESS	0Ah	R \bar{W}	LED2_Brightness									FFh
LED3_BRIGHTNESS	0Bh	R \bar{W}	LED3_Brightness									FFh
LED4_BRIGHTNESS	0Ch	R \bar{W}	LED4_Brightness									FFh
LED5_BRIGHTNESS	0Dh	R \bar{W}	LED5_Brightness									FFh
LED6_BRIGHTNESS	0Eh	R \bar{W}	LED6_Brightness									FFh
LED7_BRIGHTNESS	0Fh	R \bar{W}	LED7_Brightness									FFh
LED8_BRIGHTNESS	10h	R \bar{W}	LED8_Brightness									FFh
LED9_BRIGHTNESS	11h	R \bar{W}	LED9_Brightness									FFh

Register Maps (continued)

Table 4. Register Maps (continued)

REGISTER NAME	ADDR	TYPE	D7	D6	D5	D4	D3	D2	D1	D0	DEF AULT
LED10_BRIGHTNESS	12h	R \overline{W}	LED10_Brightness								FFh
LED11_BRIGHTNESS	13h	R \overline{W}	LED11_Brightness								FFh
OUT0_COLOR	14h	R \overline{W}	OUT0_Color								00h
OUT1_COLOR	15h	R \overline{W}	OUT1_Color								00h
OUT2_COLOR	16h	R \overline{W}	OUT2_Color								00h
OUT3_COLOR	17h	R \overline{W}	OUT3_Color								00h
OUT4_COLOR	18h	R \overline{W}	OUT4_Color								00h
OUT5_COLOR	19h	R \overline{W}	OUT5_Color								00h
OUT6_COLOR	1Ah	R \overline{W}	OUT6_Color								00h
OUT7_COLOR	1Bh	R \overline{W}	OUT7_Color								00h
OUT8_COLOR	1Ch	R \overline{W}	OUT8_Color								00h
OUT9_COLOR	1Dh	R \overline{W}	OUT9_Color								00h
OUT10_COLOR	1Eh	R \overline{W}	OUT10_Color								00h
OUT11_COLOR	1Fh	R \overline{W}	OUT11_Color								00h
OUT12_COLOR	20h	R \overline{W}	OUT12_Color								00h
OUT13_COLOR	21h	R \overline{W}	OUT13_Color								00h
OUT14_COLOR	22h	R \overline{W}	OUT14_Color								00h
OUT15_COLOR	23h	R \overline{W}	OUT15_Color								00h
OUT16_COLOR	24h	R \overline{W}	OUT16_Color								00h
OUT17_COLOR	25h	R \overline{W}	OUT17_Color								00h
OUT18_COLOR	26h	R \overline{W}	OUT18_Color								00h
OUT19_COLOR	27h	R \overline{W}	OUT19_Color								00h
OUT20_COLOR	28h	R \overline{W}	OUT20_Color								00h
OUT21_COLOR	29h	R \overline{W}	OUT21_Color								00h
OUT22_COLOR	2Ah	R \overline{W}	OUT22_Color								00h
OUT23_COLOR	2Bh	R \overline{W}	OUT23_Color								00h
OUT24_COLOR	2Ch	R \overline{W}	OUT24_Color								00h
OUT25_COLOR	2Dh	R \overline{W}	OUT25_Color								00h
OUT26_COLOR	2Eh	R \overline{W}	OUT26_Color								00h
OUT27_COLOR	2Fh	R \overline{W}	OUT27_Color								00h

Register Maps (continued)
Table 4. Register Maps (continued)

REGISTER NAME	ADDR	TYPE	D7	D6	D5	D4	D3	D2	D1	D0	DEF AULT	
OUT28_COLOR	30h	R \overline{W}									OUT28_Color	00h
OUT29_COLOR	31h	R \overline{W}									OUT29_Color	00h
OUT30_COLOR	32h	R \overline{W}									OUT30_Color	00h
OUT31_COLOR	33h	R \overline{W}									OUT31_Color	00h
OUT32_COLOR	34h	R \overline{W}									OUT32_Color	00h
OUT33_COLOR	35h	R \overline{W}									OUT33_Color	00h
OUT34_COLOR	36h	R \overline{W}									OUT34_Color	00h
OUT35_COLOR	37h	R \overline{W}									OUT35_Color	00h
RESET	38h	W									Reset	00h

Table 5. Access Type Codes

ACCESS TYPE	CODE	DESCRIPTION
Read Type		
R	R	Read
Write Type		
W	W	Write
Reset or Default Value		
-n		Value after reset or the default value

8.6.1 DEVICE_CONFIG0 (Address = 0h) [reset = 0h]

DEVICE_CONFIG0 is shown in [Figure 21](#) and described in [Table 6](#).

Return to [Table 4](#).

Figure 21. DEVICE_CONFIG0 Register

7	6	5	4	3	2	1	0
RESERVED	Chip_EN	RESERVED					
R/W-0h	R/W-0h	R/W-0h					

Table 6. DEVICE_CONFIG0 Register Field Descriptions

Bit	Field	Type	Reset	Description
7	RESERVED	R/W	0h	Reserved
6	Chip_EN	R/W	0h	0 = LP503x not enabled 1 = LP503x enabled
5–0	RESERVED	R/W	0h	Reserved

8.6.2 DEVICE_CONFIG1 (Address = 1h) [reset = 3Ch]

DEVICE_CONFIG1 is shown in [Figure 22](#) and described in [Table 7](#).

Return to [Table 4](#).

Figure 22. DEVICE_CONFIG1 Register

7	6	5	4	3	2	1	0
RESERVED	Log_Scale_EN	Power_Save_EN	Auto_Incr_EN	PWM_Dithering_EN	Max_Current_Option	LED_Global Off	
R/W-0h	R/W-1h	R/W-1h	R/W-1h	R/W-1h	R/W-1h	R/W-0h	R/W-0h

Table 7. DEVICE_CONFIG1 Register Field Descriptions

Bit	Field	Type	Reset	Description
7–6	RESERVED	R/W	0h	Reserved
5	Log_Scale_EN	R/W	1h	0 = Linear scale dimming curve enabled 1 = Logarithmic scale dimming curve enabled
4	Power_Save_EN	R/W	1h	0 = Automatic power-saving mode not enabled 1 = Automatic power-saving mode enabled
3	Auto_Incr_EN	R/W	1h	0 = Automatic increment mode not enabled 1 = Automatic increment mode enabled
2	PWM_Dithering_EN	R/W	1h	0 = PWM dithering mode not enabled 1 = PWM dithering mode enabled
1	Max_Current_Option	R/W	0h	0 = Output maximum current I _{MAX} = 25.5 mA. 1 = Output maximum current I _{MAX} = 35 mA.

Table 7. DEVICE_CONFIG1 Register Field Descriptions (continued)

Bit	Field	Type	Reset	Description
0	LED_Global Off	R/W	0h	0 = Normal operation 1 = Shut down all LEDs

8.6.3 LED_CONFIG0 (Address = 2h) [reset = 00h]

LED_CONFIG0 is shown in [Figure 23](#) and described in [Table 8](#).

Return to [Table 4](#).

Figure 23. LED_CONFIG0 Register

7	6	5	4	3	2	1	0
LED7_Bank_EN	LED6_Bank_EN	LED5_Bank_EN	LED4_Bank_EN	LED3_Bank_EN	LED2_Bank_EN	LED1_Bank_EN	LED0_Bank_EN
R/W-0h	R/W-0h	R/W-0h	R/W-0h	R/W-0h	R/W-0h	R/W-0h	R/W-0h

Table 8. LED_CONFIG0 Register Field Descriptions

Bit	Field	Type	Reset	Description
7	LED7_Bank_EN	R/W	0h	0 = LED7 independent control mode enabled 1 = LED7 bank control mode enabled
6	LED6_Bank_EN	R/W	0h	0 = LED6 independent control mode enabled 1 = LED6 bank control mode enabled
5	LED5_Bank_EN	R/W	0h	0 = LED5 independent control mode enabled 1 = LED5 bank control mode enabled
4	LED4_Bank_EN	R/W	0h	0 = LED4 independent control mode enabled 1 = LED4 bank control mode enabled
3	LED3_Bank_EN	R/W	0h	0 = LED3 Independent control mode enabled 1 = LED3 bank control mode enabled
2	LED2_Bank_EN	R/W	0h	0 = LED2 independent control mode enabled 1 = LED2 bank control mode enabled
1	LED1_Bank_EN	R/W	0h	0 = LED1 independent control mode enabled 1 = LED1 bank control mode enabled
0	LED0_Bank_EN	R/W	0h	0 = LED0 independent control mode enabled 1 = LED0 bank control mode enabled

8.6.4 LED_CONFIG1 (Address = 3h) [reset = 00h]

LED_CONFIG1 is shown in [Figure 23](#) and described in [Table 8](#).

Return to [Table 4](#).

Figure 24. LED_CONFIG1 Register

7	6	5	4	3	2	1	0
RESERVED				LED11_Bank_EN	LED10_Bank_EN	LED9_Bank_EN	LED8_Bank_EN
R/W-0h				R/W-0h	R/W-0h	R/W-0h	R/W-0h

Table 9. LED_CONFIG1 Register Field Descriptions

Bit	Field	Type	Reset	Description
4–7	RESERVED	R/W	0h	Reserved
3	LED11_Bank_EN	R/W	0h	0 = LED11 Independent control mode enabled 1 = LED11 bank control mode enabled

Table 9. LED_CONFIG1 Register Field Descriptions (continued)

Bit	Field	Type	Reset	Description
2	LED10_Bank_EN	R/W	0h	0 = LED10 independent control mode enabled 1 = LED10 bank control mode enabled
1	LED9_Bank_EN	R/W	0h	0 = LED9 independent control mode enabled 1 = LED9 bank control mode enabled
0	LED8_Bank_EN	R/W	0h	0 = LED8 independent control mode enabled 1 = LED8 bank control mode enabled

8.6.5 BANK_BRIGHTNESS (Address = 4h) [reset = FFh]

BANK_BRIGHTNESS is shown in [Figure 25](#) and described in [Table 10](#).

Return to [Table 4](#).

Figure 25. BANK_BRIGHTNESS Register

7	6	5	4	3	2	1	0
BANK_BRIGHTNESS							
R/W-FFh							

Table 10. BANK_BRIGHTNESS Register Field Descriptions

Bit	Field	Type	Reset	Description
7–0	BANK_BRIGHTNESS	R/W	FFh	00h = 0% of full intensity ... 80h = 50% of full ... FFh = 100 % of full intensity

8.6.6 BANK_A_COLOR (Address = 5h) [reset = 00h]

BANK_A_COLOR is shown in [Figure 26](#) and described in [Table 11](#).

Return to [Table 4](#).

Figure 26. BANK_A_COLOR Register

7	6	5	4	3	2	1	0
BANK_A_COLOR							
R/W-0h							

Table 11. BANK_A_COLOR Register Field Descriptions

Bit	Field	Type	Reset	Description
7–0	BANK_A_COLOR	R/W	0h	00h = The color mixing percentage is 0%. ... 80h = The color mixing percentage is 50%. ... FFh = The color mixing percentage is 100%.

8.6.7 BANK_B_COLOR (Address = 6h) [reset = 00h]

BANK_B_COLOR is shown in [Figure 27](#) and described in [Table 12](#).

Return to [Table 4](#).

Figure 27. BANK_B_COLOR Register

7	6	5	4	3	2	1	0
BANK_B_COLOR							
R/W-0h							

Table 12. BANK_B_COLOR Register Field Descriptions

Bit	Field	Type	Reset	Description
7–0	BANK_B_COLOR	R/W	0h	00h = The color mixing percentage is 0%. ... 80h = The color mixing percentage is 50%. ... FFh = The color mixing percentage is 100%.

8.6.8 BANK_C_COLOR (Address = 7h) [reset = 00h]

BANK_C_COLOR is shown in [Figure 28](#) and described in [Table 13](#).

Return to [Table 4](#).

Figure 28. BANK_C_COLOR Register

7	6	5	4	3	2	1	0
BANK_C_COLOR							
R/W-0h							

Table 13. BANK_C_COLOR Register Field Descriptions

Bit	Field	Type	Reset	Description
7–0	BANK_C_COLOR	R/W	0h	00h = The color mixing percentage is 0%. ... 80h = The color mixing percentage is 50%. ... FFh = The color mixing percentage is 100%.

8.6.9 LED0_BRIGHTNESS (Address = 8h) [reset = FFh]

LED0_BRIGHTNESS is shown in [Figure 29](#) and described in [Table 14](#).

Return to [Table 4](#).

Figure 29. LED0_BRIGHTNESS Register

7	6	5	4	3	2	1	0
LED0_BRIGHTNESS							
R/W-FFh							

Table 14. LED0_BRIGHTNESS Register Field Descriptions

Bit	Field	Type	Reset	Description
7–0	LED0_BRIGHTNESS	R/W	FFh	00h = 0% of full intensity ... 80h = 50% of full intensity ... FFh = 100 % of full intensity

8.6.10 LED1_BRIGHTNESS (Address = 9h) [reset = FFh]

LED1_BRIGHTNESS is shown in [Figure 30](#) and described in [Table 15](#).

Return to [Table 4](#).

Figure 30. LED1_BRIGHTNESS Register

7	6	5	4	3	2	1	0
LED1_BRIGHTNESS							
R/W-FFh							

Table 15. LED1_BRIGHTNESS Register Field Descriptions

Bit	Field	Type	Reset	Description
7–0	LED1_BRIGHTNESS	R/W	FFh	00h = 0% of full intensity ... 80h = 50% of full intensity ... FFh = 100 % of full intensity

8.6.11 LED2_BRIGHTNESS (Address = 0Ah) [reset = FFh]

LED2_BRIGHTNESS is shown in [Figure 31](#) and described in [Table 16](#).

Return to [Table 4](#).

Figure 31. LED2_BRIGHTNESS Register

7	6	5	4	3	2	1	0
LED2_BRIGHTNESS							
R/W-FFh							

Table 16. LED2_BRIGHTNESS Register Field Descriptions

Bit	Field	Type	Reset	Description
7–0	LED2_BRIGHTNESS	R/W	FFh	00h = 0% of full intensity ... 80h = 50% of full intensity ... FFh = 100 % of full intensity

8.6.12 LED3_BRIGHTNESS (Address = 0Bh) [reset = FFh]

LED3_BRIGHTNESS is shown in [Figure 32](#) and described in [Table 17](#).

Return to [Table 4](#).

Figure 32. LED3_BRIGHTNESS Register

7	6	5	4	3	2	1	0
LED3_BRIGHTNESS							
R/W-FFh							

Table 17. LED3_BRIGHTNESS Register Field Descriptions

Bit	Field	Type	Reset	Description
7–0	LED3_BRIGHTNESS	R/W	FFh	00h = 0% of full intensity ... 80h = 50% of full intensity ... FFh = 100 % of full intensity

8.6.13 LED4_BRIGHTNESS (Address = 0Ch) [reset = FFh]

 LED4_BRIGHTNESS is shown in [Figure 33](#) and described in [Table 18](#).

 Return to [Table 4](#).

Figure 33. LED4_BRIGHTNESS Register

7	6	5	4	3	2	1	0
LED4_BRIGHTNESS							
R/W-FFh							

Table 18. LED4_BRIGHTNESS Register Field Descriptions

Bit	Field	Type	Reset	Description
7–0	LED4_BRIGHTNESS	R/W	FFh	00h = 0% of full intensity ... 80h = 50% of full intensity ... FFh = 100 % of full intensity

8.6.14 LED5_BRIGHTNESS (Address = 0Dh) [reset = FFh]

 LED5_BRIGHTNESS is shown in [Figure 34](#) and described in [Table 19](#).

 Return to [Table 4](#).

Figure 34. LED5_BRIGHTNESS Register

7	6	5	4	3	2	1	0
LED5_BRIGHTNESS							
R/W-FFh							

Table 19. LED5_BRIGHTNESS Register Field Descriptions

Bit	Field	Type	Reset	Description
7–0	LED5_BRIGHTNESS	R/W	FFh	00h = 0% of full intensity ... 80h = 50% of full intensity ... FFh = 100 % of full intensity

8.6.15 LED6_BRIGHTNESS (Address = 0Eh) [reset = FFh]

 LED6_BRIGHTNESS is shown in [Figure 35](#) and described in [Table 20](#).

 Return to [Table 4](#).

Figure 35. LED6_BRIGHTNESS Register

7	6	5	4	3	2	1	0
LED6_BRIGHTNESS							
R/W-FFh							

Table 20. LED6_BRIGHTNESS Register Field Descriptions

Bit	Field	Type	Reset	Description
7–0	LED6_BRIGHTNESS	R/W	FFh	00h = 0% of full intensity ... 80h = 50% of full intensity ... FFh = 100 % of full intensity

8.6.16 LED7_BRIGHTNESS (Address = 0Fh) [reset = FFh]

LED7_BRIGHTNESS is shown in [Figure 36](#) and described in [Table 21](#).

Return to [Table 4](#).

Figure 36. LED7_BRIGHTNESS Register

7	6	5	4	3	2	1	0
LED7_BRIGHTNESS							
R/W-FFh							

Table 21. LED7_BRIGHTNESS Register Field Descriptions

Bit	Field	Type	Reset	Description
7–0	LED7_BRIGHTNESS	R/W	FFh	00h = 0% of full intensity ... 80h = 50% of full intensity ... FFh = 100 % of full intensity

8.6.17 LED8_BRIGHTNESS (Address = 10h) [reset = FFh]

LED8_BRIGHTNESS is shown in [Figure 37](#) and described in [Table 22](#).

Return to [Table 4](#).

Figure 37. LED8_BRIGHTNESS Register

7	6	5	4	3	2	1	0
LED8_BRIGHTNESS							
R/W-FFh							

Table 22. LED8_BRIGHTNESS Register Field Descriptions

Bit	Field	Type	Reset	Description
7–0	LED8_BRIGHTNESS	R/W	FFh	00h = 0% of full intensity ... 80h = 50% of full intensity ... FFh = 100 % of full intensity

8.6.18 LED9_BRIGHTNESS (Address = 11h) [reset = FFh]

LED9_BRIGHTNESS is shown in [Figure 38](#) and described in [Table 23](#).

Return to [Table 4](#).

Figure 38. LED9_BRIGHTNESS Register

7	6	5	4	3	2	1	0
LED9_BRIGHTNESS							
R/W-FFh							

Table 23. LED9_BRIGHTNESS Register Field Descriptions

Bit	Field	Type	Reset	Description
7–0	LED9_BRIGHTNESS	R/W	FFh	00h = 0% of full intensity ... 80h = 50% of full intensity ... FFh = 100 % of full intensity

8.6.19 LED10_BRIGHTNESS (Address = 12h) [reset = FFh]

LED10_BRIGHTNESS is shown in [Figure 39](#) and described in [Table 24](#).

Return to [Table 4](#).

Figure 39. LED10_BRIGHTNESS Register

7	6	5	4	3	2	1	0
LED10_BRIGHTNESS							
R/W-FFh							

Table 24. LED10_BRIGHTNESS Register Field Descriptions

Bit	Field	Type	Reset	Description
7–0	LED10_BRIGHTNESS	R/W	FFh	00h = 0% of full intensity ... 80h = 50% of full intensity ... FFh = 100 % of full intensity

8.6.20 LED11_BRIGHTNESS (Address = 13h) [reset = FFh]

LED11_BRIGHTNESS is shown in [Figure 40](#) and described in [Table 25](#).

Return to [Table 4](#).

Figure 40. LED11_BRIGHTNESS Register

7	6	5	4	3	2	1	0
LED11_BRIGHTNESS							
R/W-FFh							

Table 25. LED11_BRIGHTNESS Register Field Descriptions

Bit	Field	Type	Reset	Description
7–0	LED11_BRIGHTNESS	R/W	FFh	00h = 0% of full intensity ... 80h = 50% of full intensity ... FFh = 100 % of full intensity

8.6.21 OUT0_COLOR (Address = 14h) [reset = 00h]

OUT0_COLOR is shown in [Figure 41](#) and described in [Table 26](#).

Return to [Table 4](#).

Figure 41. OUT0_COLOR Register

7	6	5	4	3	2	1	0
OUT0_COLOR							
R/W-00h							

Table 26. OUT0_COLOR Register Field Descriptions

Bit	Field	Type	Reset	Description
7–0	OUT0_COLOR	R/W	00h	00h = The color mixing percentage is 0%. ... 80h = The color mixing percentage is 50%. ... FFh = The color mixing percentage is 100%.

8.6.22 OUT1_COLOR (Address = 15h) [reset = 00h]

OUT1_COLOR is shown in [Figure 42](#) and described in [Table 27](#).

Return to [Table 4](#).

Figure 42. OUT1_COLOR Register

7	6	5	4	3	2	1	0
OUT1_COLOR							
R/W-00h							

Table 27. OUT1_COLOR Register Field Descriptions

Bit	Field	Type	Reset	Description
7–0	OUT1_COLOR	R/W	00h	00h = The color mixing percentage is 0%. ... 80h = The color mixing percentage is 50%. ... FFh = The color mixing percentage is 100%.

8.6.23 OUT2_COLOR (Address = 16h) [reset = 00h]

OUT2_COLOR is shown in [Figure 43](#) and described in [Table 28](#).

Return to [Table 4](#).

Figure 43. OUT2_COLOR Register

7	6	5	4	3	2	1	0
OUT2_COLOR							
R/W-00h							

Table 28. OUT2_COLOR Register Field Descriptions

Bit	Field	Type	Reset	Description
7–0	OUT2_COLOR	R/W	00h	00h = The color mixing percentage is 0%. ... 80h = The color mixing percentage is 50%. ... FFh = The color mixing percentage is 100%.

8.6.24 OUT3_COLOR (Address = 17h) [reset = 00h]

OUT3_COLOR is shown in [Figure 44](#) and described in [Table 29](#).

Return to [Table 4](#).

Figure 44. OUT3_COLOR Register

7	6	5	4	3	2	1	0
OUT3_COLOR							
R/W-00h							

Table 29. OUT3_COLOR Register Field Descriptions

Bit	Field	Type	Reset	Description
7–0	OUT3_COLOR	R/W	00h	00h = The color mixing percentage is 0%. ... 80h = The color mixing percentage is 50%. ... FFh = The color mixing percentage is 100%.

8.6.25 OUT4_COLOR (Address = 18h) [reset = 00h]

OUT4_COLOR is shown in [Figure 45](#) and described in [Table 30](#).

Return to [Table 4](#).

Figure 45. OUT4_COLOR Register

7	6	5	4	3	2	1	0
OUT1_COLOR							
R/W-00h							

Table 30. OUT4_COLOR Register Field Descriptions

Bit	Field	Type	Reset	Description
7–0	OUT4_COLOR	R/W	00h	00h = The color mixing percentage is 0%. ... 80h = The color mixing percentage is 50%. ... FFh = The color mixing percentage is 100%.

8.6.26 OUT5_COLOR (Address = 19h) [reset = 00h]

 OUT5_COLOR is shown in [Figure 46](#) and described in [Table 31](#).

 Return to [Table 4](#).

Figure 46. OUT5_COLOR Register

7	6	5	4	3	2	1	0
OUT5_COLOR							
R/W-00h							

Table 31. OUT5_COLOR Register Field Descriptions

Bit	Field	Type	Reset	Description
7–0	OUT5_COLOR	R/W	00h	00h = The color mixing percentage is 0%. ... 80h = The color mixing percentage is 50%. ... FFh = The color mixing percentage is 100%.

8.6.27 OUT6_COLOR (Address = 1Ah) [reset = 00h]

 OUT6_COLOR is shown in [Figure 47](#) and described in [Table 32](#).

 Return to [Table 4](#).

Figure 47. OUT6_COLOR Register

7	6	5	4	3	2	1	0
OUT6_COLOR							
R/W-00h							

Table 32. OUT6_COLOR Register Field Descriptions

Bit	Field	Type	Reset	Description
7–0	OUT6_COLOR	R/W	00h	00h = The color mixing percentage is 0%. ... 80h = The color mixing percentage is 50%. ... FFh = The color mixing percentage is 100%.

8.6.28 OUT7_COLOR (Address = 1Bh) [reset = 00h]

 OUT7_COLOR is shown in [Figure 48](#) and described in [Table 33](#).

 Return to [Table 4](#).

Figure 48. OUT7_COLOR Register

7	6	5	4	3	2	1	0
OUT7_COLOR							
R/W-00h							

Table 33. OUT7_COLOR Register Field Descriptions

Bit	Field	Type	Reset	Description
7–0	OUT7_COLOR	R/W	00h	00h = The color mixing percentage is 0%. ... 80h = The color mixing percentage is 50%. ... FFh = The color mixing percentage is 100%.

8.6.29 OUT8_COLOR (Address = 1Ch) [reset = 00h]

 OUT8_COLOR is shown in [Figure 49](#) and described in [Table 34](#).

 Return to [Table 4](#).

Figure 49. OUT8_COLOR Register

7	6	5	4	3	2	1	0
OUT8_COLOR							
R/W-00h							

Table 34. OUT8_COLOR Register Field Descriptions

Bit	Field	Type	Reset	Description
7–0	OUT8_COLOR	R/W	00h	00h = The color mixing percentage is 0%. ... 80h = The color mixing percentage is 50%. ... FFh = The color mixing percentage is 100%.

8.6.30 OUT9_COLOR (Address = 1Dh) [reset = 00h]

 OUT9_COLOR is shown in [Figure 50](#) and described in [Table 35](#).

 Return to [Table 4](#).

Figure 50. OUT9_COLOR Register

7	6	5	4	3	2	1	0
OUT9_COLOR							
R/W-00h							

Table 35. OUT9_COLOR Register Field Descriptions

Bit	Field	Type	Reset	Description
7–0	OUT9_COLOR	R/W	00h	00h = The color mixing percentage is 0%. ... 80h = The color mixing percentage is 50%. ... FFh = The color mixing percentage is 100%.

8.6.31 OUT10_COLOR (Address = 1Eh) [reset = 00h]

 OUT10_COLOR is shown in [Figure 51](#) and described in [Table 36](#).

 Return to [Table 4](#).

Figure 51. OUT10_COLOR Register

7	6	5	4	3	2	1	0
OUT10_COLOR							
R/W0-0h							

Table 36. OUT10_COLOR Register Field Descriptions

Bit	Field	Type	Reset	Description
7–0	OUT10_COLOR	R/W	00h	00h = The color mixing percentage is 0%. ... 80h = The color mixing percentage is 50%. ... FFh = The color mixing percentage is 100%.

8.6.32 OUT11_COLOR (Address = 1Fh) [reset = 00h]

OUT11_COLOR is shown in [Figure 52](#) and described in [Table 37](#).

Return to [Table 4](#).

Figure 52. OUT11_COLOR Register

7	6	5	4	3	2	1	0
OUT11_COLOR							
R/W-00h							

Table 37. OUT11_COLOR Register Field Descriptions

Bit	Field	Type	Reset	Description
7–0	OUT11_COLOR	R/W	00h	00h = The color mixing percentage is 0%. ... 80h = The color mixing percentage is 50%. ... FFh = The color mixing percentage is 100%.

8.6.33 OUT12_COLOR (Address = 20h) [reset = 00h]

OUT12_COLOR is shown in [Figure 53](#) and described in [Table 38](#).

Return to [Table 4](#).

Figure 53. OUT12_COLOR Register

7	6	5	4	3	2	1	0
OUT12_COLOR							
R/W-00h							

Table 38. OUT12_COLOR Register Field Descriptions

Bit	Field	Type	Reset	Description
7–0	OUT12_COLOR	R/W	00h	00h = The color mixing percentage is 0%. ... 80h = The color mixing percentage is 50%. ... FFh = The color mixing percentage is 100%.

8.6.34 OUT13_COLOR (Address = 21h) [reset = 00h]

OUT13_COLOR is shown in [Figure 54](#) and described in [Table 39](#).

Return to [Table 4](#).

Figure 54. OUT13_COLOR Register

7	6	5	4	3	2	1	0
OUT13_COLOR							
R/W-00h							

Table 39. OUT13_COLOR Register Field Descriptions

Bit	Field	Type	Reset	Description
7–0	OUT13_COLOR	R/W	00h	00h = The color mixing percentage is 0%. ... 80h = The color mixing percentage is 50%. ... FFh = The color mixing percentage is 100%.

8.6.35 OUT14_COLOR (Address = 22h) [reset = 00h]

OUT14_COLOR is shown in [Figure 55](#) and described in [Table 40](#).

Return to [Table 4](#).

Figure 55. OUT14_COLOR Register

7	6	5	4	3	2	1	0
OUT14_COLOR							
R/W-00h							

Table 40. OUT14_COLOR Register Field Descriptions

Bit	Field	Type	Reset	Description
7–0	OUT14_COLOR	R/W	00h	00h = The color mixing percentage is 0%. ... 80h = The color mixing percentage is 50%. ... FFh = The color mixing percentage is 100%.

8.6.36 OUT15_COLOR (Address = 23h) [reset = 00h]

OUT15_COLOR is shown in [Figure 56](#) and described in [Table 41](#).

Return to [Table 4](#).

Figure 56. OUT15_COLOR Register

7	6	5	4	3	2	1	0
OUT15_COLOR							
R/W-00h							

Table 41. OUT15_COLOR Register Field Descriptions

Bit	Field	Type	Reset	Description
7–0	OUT15_COLOR	R/W	00h	00h = The color mixing percentage is 0%. ... 80h = The color mixing percentage is 50%. ... FFh = The color mixing percentage is 100%.

8.6.37 OUT16_COLOR (Address = 24h) [reset = 00h]

OUT16_COLOR is shown in [Figure 57](#) and described in [Table 42](#).

Return to [Table 4](#).

Figure 57. OUT16_COLOR Register

7	6	5	4	3	2	1	0
OUT16_COLOR							
R/W-00h							

Table 42. OUT16_COLOR Register Field Descriptions

Bit	Field	Type	Reset	Description
7–0	OUT16_COLOR	R/W	00h	00h = The color mixing percentage is 0%. ... 80h = The color mixing percentage is 50%. ... FFh = The color mixing percentage is 100%.

8.6.38 OUT17_COLOR (Address = 25h) [reset = 00h]

OUT17_COLOR is shown in [Figure 58](#) and described in [Table 43](#).

Return to [Table 4](#).

Figure 58. OUT17_COLOR Register

7	6	5	4	3	2	1	0
OUT17_COLOR							
R/W-00h							

Table 43. OUT17_COLOR Register Field Descriptions

Bit	Field	Type	Reset	Description
7–0	OUT17_COLOR	R/W	00h	00h = The color mixing percentage is 0%. ... 80h = The color mixing percentage is 50%. ... FFh = The color mixing percentage is 100%.

8.6.39 OUT18_COLOR (Address = 26h) [reset = 00h]

OUT18_COLOR is shown in [Figure 59](#) and described in [Table 44](#).

Return to [Table 4](#).

Figure 59. OUT18_COLOR Register

7	6	5	4	3	2	1	0
OUT18_COLOR							
R/W-00h							

Table 44. OUT18_COLOR Register Field Descriptions

Bit	Field	Type	Reset	Description
7–0	OUT18_COLOR	R/W	00h	00h = The color mixing percentage is 0%. ... 80h = The color mixing percentage is 50%. ... FFh = The color mixing percentage is 100%.

8.6.40 OUT19_COLOR (Address = 27h) [reset = 00h]

 OUT19_COLOR is shown in [Figure 60](#) and described in [Table 45](#).

 Return to [Table 4](#).

Figure 60. OUT19_COLOR Register

7	6	5	4	3	2	1	0
OUT19_COLOR							
R/W-00h							

Table 45. OUT19_COLOR Register Field Descriptions

Bit	Field	Type	Reset	Description
7–0	OUT19_COLOR	R/W	00h	00h = The color mixing percentage is 0%. ... 80h = The color mixing percentage is 50%. ... FFh = The color mixing percentage is 100%.

8.6.41 OUT20_COLOR (Address = 28h) [reset = 00h]

 OUT20_COLOR is shown in [Figure 61](#) and described in [Table 46](#).

 Return to [Table 4](#).

Figure 61. OUT20_COLOR Register

7	6	5	4	3	2	1	0
OUT20_COLOR							
R/W-00h							

Table 46. OUT20_COLOR Register Field Descriptions

Bit	Field	Type	Reset	Description
7–0	OUT20_COLOR	R/W	00h	00h = The color mixing percentage is 0%. ... 80h = The color mixing percentage is 50%. ... FFh = The color mixing percentage is 100%.

8.6.42 OUT21_COLOR (Address = 29h) [reset = 00h]

OUT21_COLOR is shown in [Figure 62](#) and described in [Table 47](#).

Return to [Table 4](#).

Figure 62. OUT21_COLOR Register

7	6	5	4	3	2	1	0
OUT21_COLOR							
R/W-00h							

Table 47. OUT21_COLOR Register Field Descriptions

Bit	Field	Type	Reset	Description
7–0	OUT21_COLOR	R/W	00h	00h = The color mixing percentage is 0%. ... 80h = The color mixing percentage is 50%. ... FFh = The color mixing percentage is 100%.

8.6.43 OUT22_COLOR (Address = 2Ah) [reset = 00h]

OUT22_COLOR is shown in [Figure 63](#) and described in [Table 48](#).

Return to [Table 4](#).

Figure 63. OUT22_COLOR Register

7	6	5	4	3	2	1	0
OUT22_COLOR							
R/W-00h							

Table 48. OUT22_COLOR Register Field Descriptions

Bit	Field	Type	Reset	Description
7–0	OUT22_COLOR	R/W	00h	00h = The color mixing percentage is 0%. ... 80h = The color mixing percentage is 50%. ... FFh = The color mixing percentage is 100%.

8.6.44 OUT23_COLOR (Address = 2Bh) [reset = 00h]

OUT23_COLOR is shown in [Figure 64](#) and described in [Table 49](#).

Return to [Table 4](#).

Figure 64. OUT23_COLOR Register

7	6	5	4	3	2	1	0
OUT23_COLOR							
R/W-00h							

Table 49. OUT23_COLOR Register Field Descriptions

Bit	Field	Type	Reset	Description
7–0	OUT23_COLOR	R/W	00h	00h = The color mixing percentage is 0%. ... 80h = The color mixing percentage is 50%. ... FFh = The color mixing percentage is 100%.

8.6.45 OUT24_COLOR (Address = 2Ch) [reset = 00h]

OUT24_COLOR is shown in [Figure 65](#) and described in [Table 50](#).

Return to [Table 4](#).

Figure 65. OUT24_COLOR Register

7	6	5	4	3	2	1	0
OUT24_COLOR							
R/W-00h							

Table 50. OUT24_COLOR Register Field Descriptions

Bit	Field	Type	Reset	Description
7–0	OUT24_COLOR	R/W	00h	00h = The color mixing percentage is 0%. ... 80h = The color mixing percentage is 50%. ... FFh = The color mixing percentage is 100%.

8.6.46 OUT25_COLOR (Address = 2Dh) [reset = 00h]

OUT25_COLOR is shown in [Figure 66](#) and described in [Table 51](#).

Return to [Table 4](#).

Figure 66. OUT25_COLOR Register

7	6	5	4	3	2	1	0
OUT25_COLOR							
R/W-00h							

Table 51. OUT25_COLOR Register Field Descriptions

Bit	Field	Type	Reset	Description
7–0	OUT25_COLOR	R/W	00h	00h = The color mixing percentage is 0%. ... 80h = The color mixing percentage is 50%. ... FFh = The color mixing percentage is 100%.

8.6.47 OUT26_COLOR (Address = 2Eh) [reset = 00h]

OUT26_COLOR is shown in [Figure 67](#) and described in [Table 52](#).

Return to [Table 4](#).

Figure 67. OUT26_COLOR Register

7	6	5	4	3	2	1	0
OUT26_COLOR							
R/W-00h							

Table 52. OUT26_COLOR Register Field Descriptions

Bit	Field	Type	Reset	Description
7–0	OUT26_COLOR	R/W	00h	00h = The color mixing percentage is 0%. ... 80h = The color mixing percentage is 50%. ... FFh = The color mixing percentage is 100%.

8.6.48 OUT27_COLOR (Address = 2Fh) [reset = 00h]

 OUT27_COLOR is shown in [Figure 68](#) and described in [Table 53](#).

 Return to [Table 4](#).

Figure 68. OUT27_COLOR Register

7	6	5	4	3	2	1	0
OUT27_COLOR							
R/W-00h							

Table 53. OUT27_COLOR Register Field Descriptions

Bit	Field	Type	Reset	Description
7–0	OUT27_COLOR	R/W	00h	00h = The color mixing percentage is 0%. ... 80h = The color mixing percentage is 50%. ... FFh = The color mixing percentage is 100%.

8.6.49 OUT28_COLOR (Address = 30h) [reset = 00h]

 OUT28_COLOR is shown in [Figure 69](#) and described in [Table 54](#).

 Return to [Table 4](#).

Figure 69. OUT28_COLOR Register

7	6	5	4	3	2	1	0
OUT28_COLOR							
R/W-00h							

Table 54. OUT28_COLOR Register Field Descriptions

Bit	Field	Type	Reset	Description
7–0	OUT28_COLOR	R/W	00h	00h = The color mixing percentage is 0%. ... 80h = The color mixing percentage is 50%. ... FFh = The color mixing percentage is 100%.

8.6.50 OUT29_COLOR (Address = 31h) [reset = 00h]

 OUT29_COLOR is shown in [Figure 70](#) and described in [Table 55](#).

 Return to [Table 4](#).

Figure 70. OUT29_COLOR Register

7	6	5	4	3	2	1	0
OUT29_COLOR							
R/W-00h							

Table 55. OUT29_COLOR Register Field Descriptions

Bit	Field	Type	Reset	Description
7–0	OUT29_COLOR	R/W	00h	00h = The color mixing percentage is 0%. ... 80h = The color mixing percentage is 50%. ... FFh = The color mixing percentage is 100%.

8.6.51 OUT30_COLOR (Address = 32h) [reset = 00h]

 OUT30_COLOR is shown in [Figure 71](#) and described in [Table 56](#).

 Return to [Table 4](#).

Figure 71. OUT30_COLOR Register

7	6	5	4	3	2	1	0
OUT30_COLOR							
R/W-00h							

Table 56. OUT30_COLOR Register Field Descriptions

Bit	Field	Type	Reset	Description
7–0	OUT30_COLOR	R/W	00h	00h = The color mixing percentage is 0%. ... 80h = The color mixing percentage is 50%. ... FFh = The color mixing percentage is 100%.

8.6.52 OUT31_COLOR (Address = 33h) [reset = 00h]

 OUT31_COLOR is shown in [Figure 72](#) and described in [Table 57](#).

 Return to [Table 4](#).

Figure 72. OUT31_COLOR Register

7	6	5	4	3	2	1	0
OUT31_COLOR							
R/W-00h							

Table 57. OUT31_COLOR Register Field Descriptions

Bit	Field	Type	Reset	Description
7–0	OUT31_COLOR	R/W	00h	00h = The color mixing percentage is 0%. ... 80h = The color mixing percentage is 50%. ... FFh = The color mixing percentage is 100%.

8.6.53 OUT32_COLOR (Address = 34h) [reset = 00h]

OUT32_COLOR is shown in [Figure 73](#) and described in [Table 58](#).

Return to [Table 4](#).

Figure 73. OUT32_COLOR Register

7	6	5	4	3	2	1	0
OUT32_COLOR							
R/W-00h							

Table 58. OUT32_COLOR Register Field Descriptions

Bit	Field	Type	Reset	Description
7–0	OUT32_COLOR	R/W	00h	00h = The color mixing percentage is 0%. ... 80h = The color mixing percentage is 50%. ... FFh = The color mixing percentage is 100%.

8.6.54 OUT33_COLOR (Address = 35h) [reset = 00h]

OUT33_COLOR is shown in [Figure 74](#) and described in [Table 59](#).

Return to [Table 4](#).

Figure 74. OUT33_COLOR Register

7	6	5	4	3	2	1	0
OUT33_COLOR							
R/W-00h							

Table 59. OUT33_COLOR Register Field Descriptions

Bit	Field	Type	Reset	Description
7–0	OUT33_COLOR	R/W	00h	00h = The color mixing percentage is 0%. ... 80h = The color mixing percentage is 50%. ... FFh = The color mixing percentage is 100%.

8.6.55 OUT34_COLOR (Address = 36h) [reset = 00h]

OUT34_COLOR is shown in [Figure 75](#) and described in [Table 60](#).

Return to [Table 4](#).

Figure 75. OUT34_COLOR Register

7	6	5	4	3	2	1	0
OUT34_COLOR							
R/W-00h							

Table 60. OUT34_COLOR Register Field Descriptions

Bit	Field	Type	Reset	Description
7–0	OUT34_COLOR	R/W	00h	00h = The color mixing percentage is 0%. ... 80h = The color mixing percentage is 50%. ... FFh = The color mixing percentage is 100%.

8.6.56 OUT35_COLOR (Address = 37h) [reset = 00h]

 OUT35_COLOR is shown in [Figure 76](#) and described in [Table 61](#).

 Return to [Table 4](#).

Figure 76. OUT35_COLOR Register

7	6	5	4	3	2	1	0
OUT35_COLOR							
R/W-00h							

Table 61. OUT35_COLOR Register Field Descriptions

Bit	Field	Type	Reset	Description
7–0	OUT35_COLOR	R/W	00h	00h = The color mixing percentage is 0%. ... 80h = The color mixing percentage is 50%. ... FFh = The color mixing percentage is 100%.

8.6.57 RESET (Address = 38h) [reset = 00h]

 RESET is shown in [Figure 77](#) and described in [Table 62](#).

 Return to [Table 4](#).

Figure 77. RESET Register

7	6	5	4	3	2	1	0
RESET							
W-00h							

Table 62. RESET Register Field Descriptions

Bit	Field	Type	Reset	Description
7–0	RESET	W	00h	FFh = Reset all the registers to default value.

9 Application and Implementation

NOTE

Information in the following applications sections is not part of the TI component specification, and TI does not warrant its accuracy or completeness. TI's customers are responsible for determining suitability of components for their purposes. Customers should validate and test their design implementation to confirm system functionality.

9.1 Application Information

The LP503x device is a 30- or 36-channel constant-current-sink LED driver. The LP503x device improves the user experience in color mixing and intensity control, for both live effects and coding effort. The optimized performance for RGB LEDs makes it a perfect fit for human-machine interaction applications.

9.2 Typical Application

The LP503x design supports up to four devices in parallel with different configurations on the ADDR0 and ADDR1 pins.

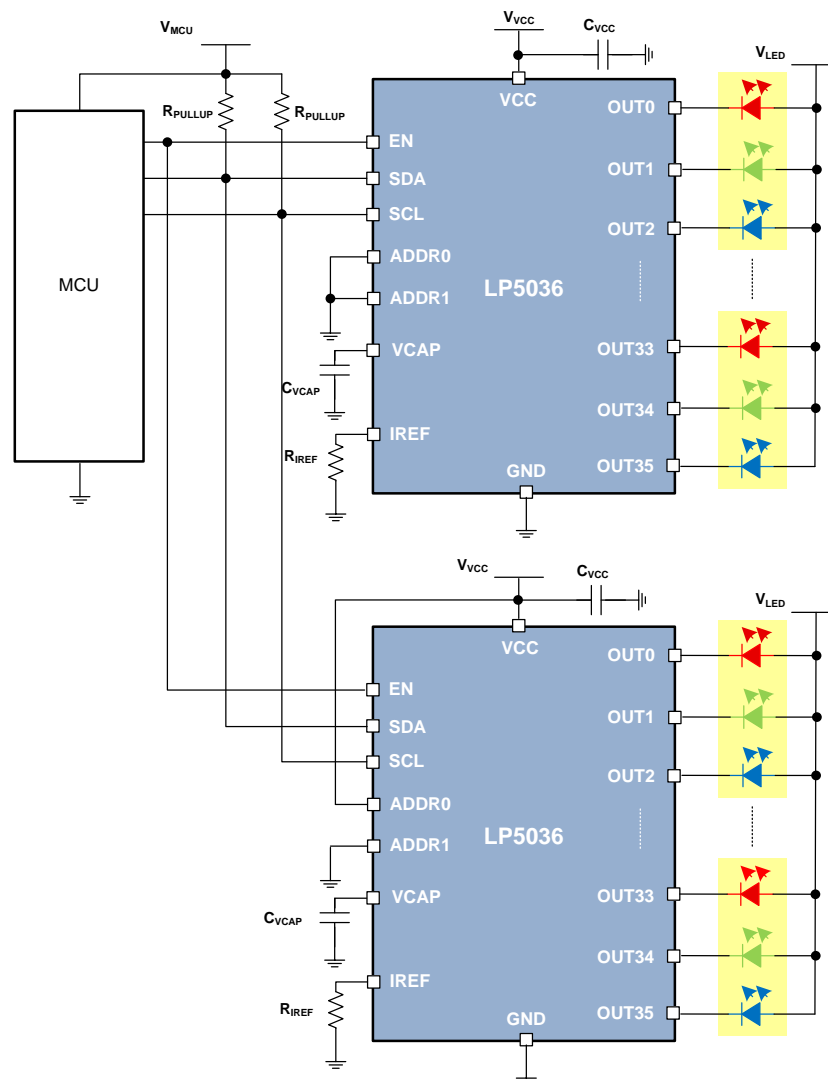


Figure 78. Driving Dual LP5036 Application Example

Typical Application (continued)

9.2.1 Design Requirements

Set the LED current to 15 mA using the R_{IREF} resistor.

9.2.2 Detailed Design Procedure

The LP503x device scales up the reference current (I_{REF}) set by the external resistor (R_{IREF}) to sink the output current (I_{OUT}) at each output port. can be used to calculate the target output current I_{MAX_SET}:

$$R_{IREF} = \frac{K_{IREF} \times V_{IREF}}{I_{(MAX_SET)}} = 105 \times 0.7 \div 0.015 = 4900 \Omega$$

The SCL and SDA lines must each have a pullup resistor placed somewhere on the line (the pullup resistors are normally located on the bus master). In typical applications, values of 1.8 kΩ to 4.7 kΩ are used, depending on the bus capacitance, I/O voltage, and the desired communication speed. Selecting a smaller value increases the pullup speed, but slows the pulldown speed. If they want pull up quickly select the samller one but it will impact the pull down speed.

VCAP is the internal LDO output pin. This pin must be connected through a 1-μF capacitor to GND. Put the capacitor as close to the device as possible.

TI recommends having a 1-μF capacitor between VCC and GND to ensure proper operation. Put the capacitor as close to the device as possible.

9.2.3 Application Curves

The test condition for is that the testing is under bank control, using the following register values: 0x02 (0xFF), 0x04 (0xF0), 0x05 (0xF0), 0x06 (0xF0). The test condition for is that the testing is under bank control, using the following register values: 0x02 (0xFF), 0x04 (0x0F), 0x05 (0x0F), 0x06 (0x0F).

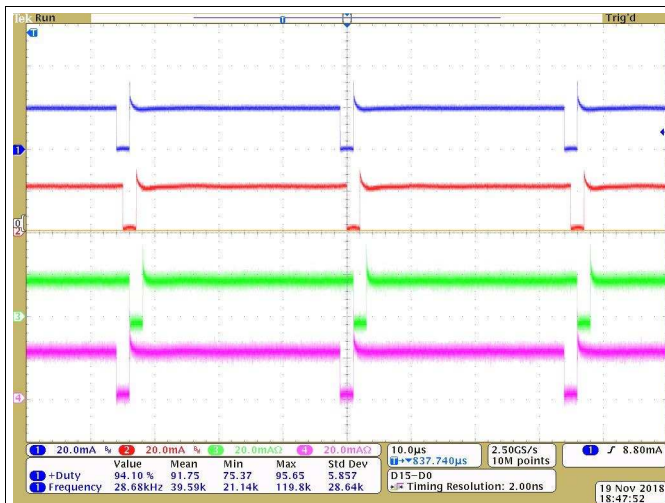


Figure 79. Current Waveform of OUT0, OUT1, OUT2 and OUT3

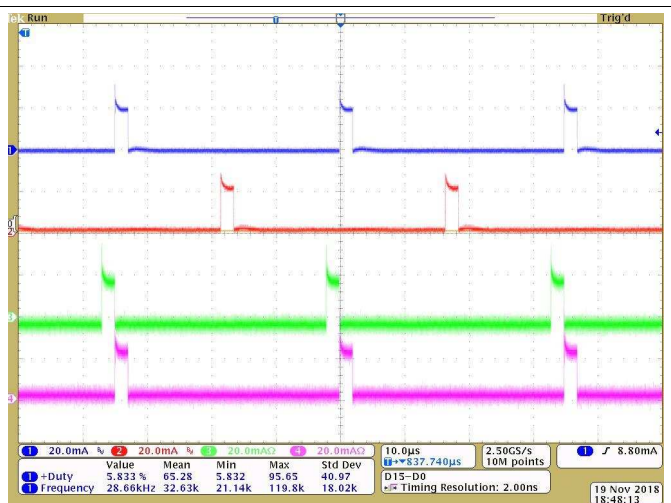


Figure 80. Current Waveform of OUT0, OUT1, OUT2 and OUT3

10 Power Supply Recommendations

The device is designed to operate from a V_{VCC} input-voltage supply range between 2.7 V and 5.5 V. This input supply must be well-regulated and able to withstand maximum input current and maintain stable voltage without voltage drop even in a load-transition condition (start-up or rapid intensity change). The resistance of the input supply rail must be low enough that the input-current transient does not cause a drop below the 2.7-V level in the LP503x V_{VCC} supply voltage.

11 Layout

11.1 Layout Guidelines

To prevent thermal shutdown, the junction temperature, T_J , must be less than $T_{(TSD)}$. If the voltage drop across the output channels is high, the device power dissipation can be large. The LP503x device has very good thermal performance because of the thermal pad design; however, the PCB layout is also very important to ensure that the device has good thermal performance. Good PCB design can optimize heat transfer, which is essential for the long-term reliability of the device.

Use the following guidelines when designing the device layout:

- Put the $C_{V_{CAP}}$, $C_{V_{CC}}$ and $R_{I_{REF}}$ as close as possible to the device. Also, TI recommends placing the ground plane as shown in [Figure 81](#) and [Figure 82](#).
- Maximize the copper coverage on the PCB to increase the thermal conductivity of the board. The major heat flow path from the package to the ambient is through copper on the PCB. Maximum copper density is extremely important when no heat sinks are attached to the PCB on the other side from the package.
- Add as many thermal vias as possible directly under the package ground pad to maximize the thermal conductivity of the board.
- Use either plated-shut or plugged and capped vias for all the thermal vias on both sides of the board to prevent solder voids. To ensure reliability and performance, the solder coverage must be at least 85%.

11.2 Layout Examples

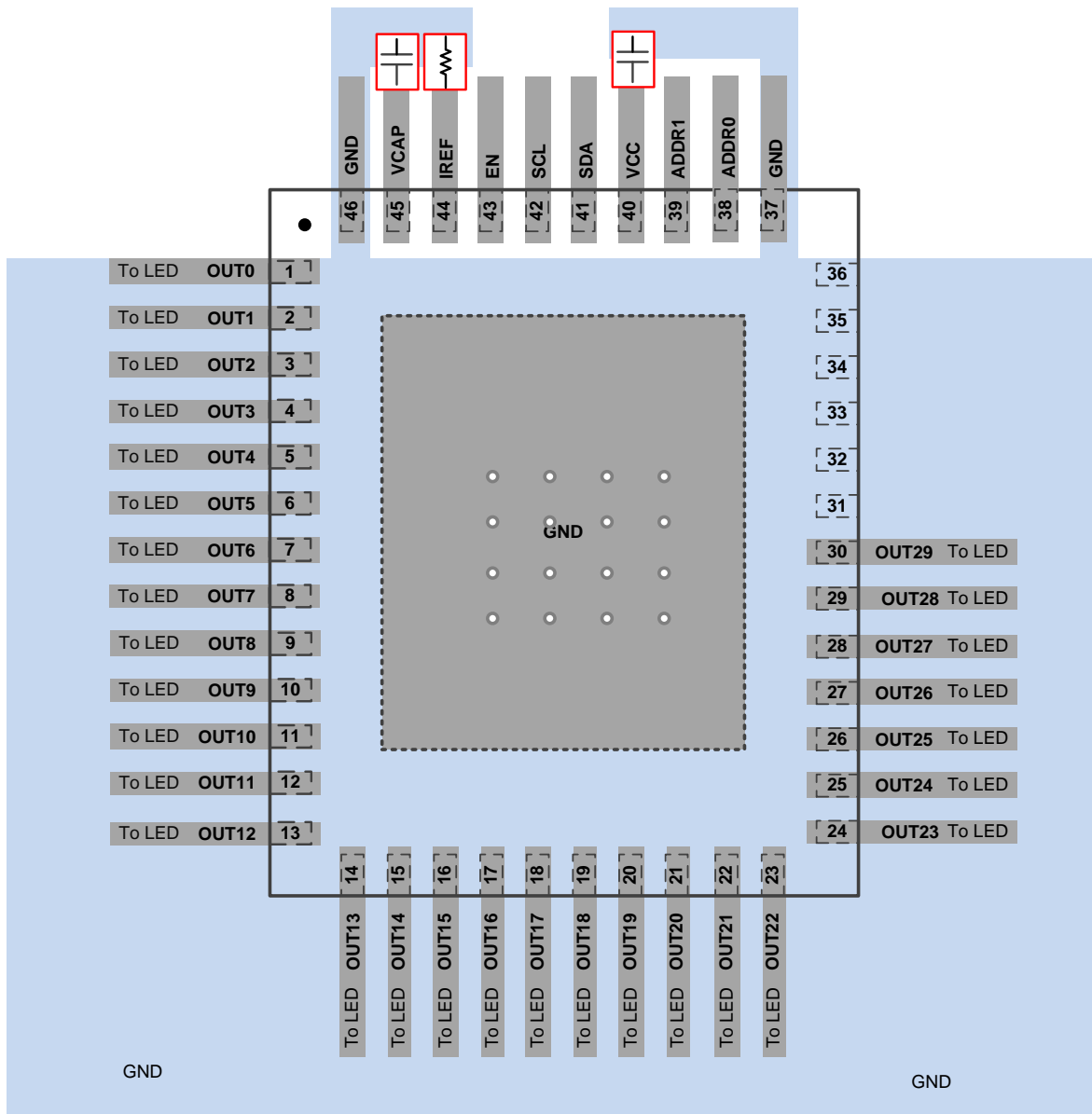


Figure 81. LP5030 Layout Example

Layout Examples (continued)

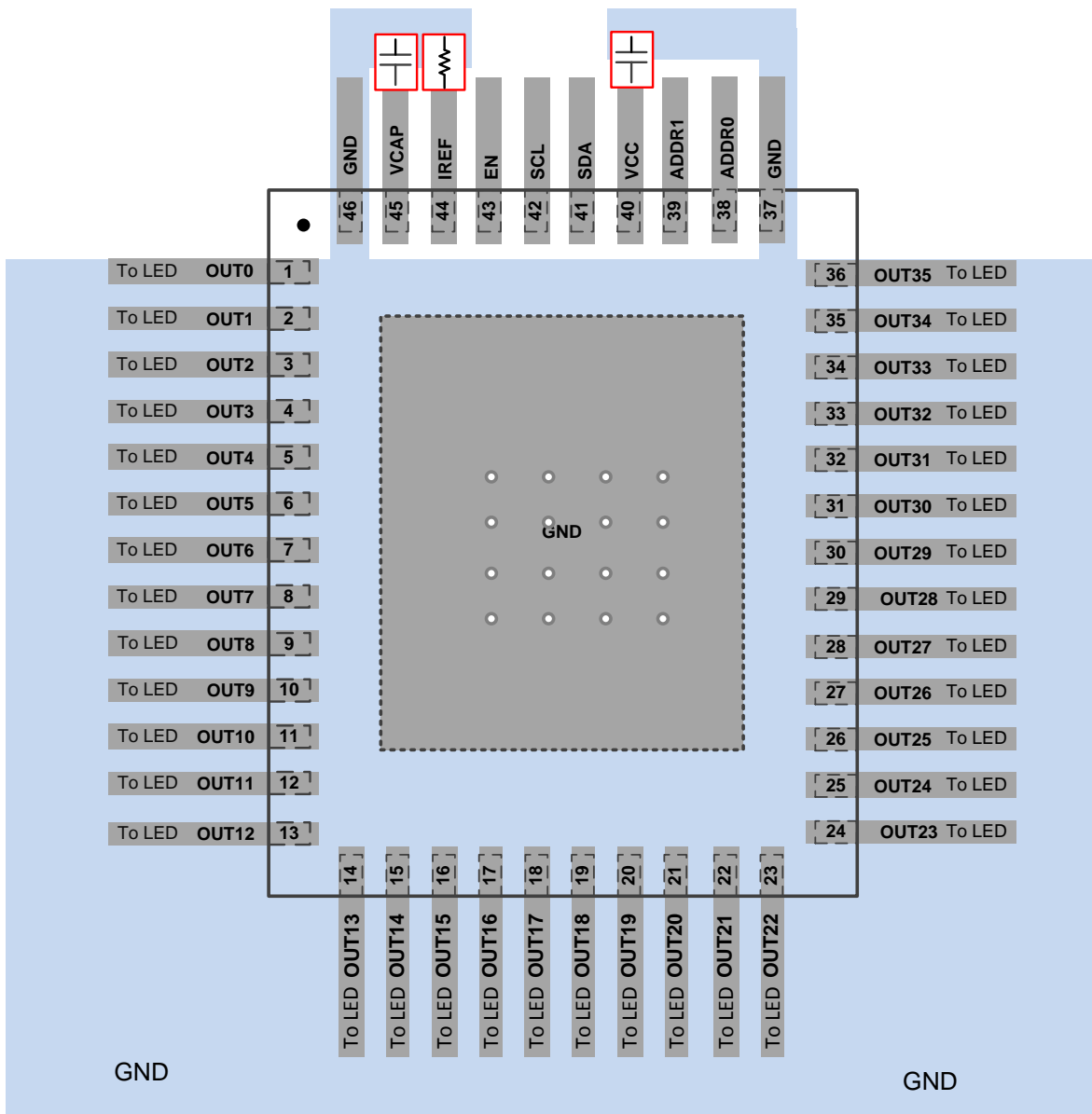


Figure 82. LP5036 Layout Example

12 Device and Documentation Support

12.1 Related Links

The table below lists quick access links. Categories include technical documents, support and community resources, tools and software, and quick access to order now.

Table 63. Related Links

PARTS	PRODUCT FOLDER	ORDER NOW	TECHNICAL DOCUMENTS	TOOLS & SOFTWARE	SUPPORT & COMMUNITY
LP5030	Click here	Click here	Click here	Click here	Click here
LP5036	Click here	Click here	Click here	Click here	Click here

12.2 Receiving Notification of Documentation Updates

To receive notification of documentation updates, navigate to the device product folder on ti.com. In the upper right corner, click on *Alert me* to register and receive a weekly digest of any product information that has changed. For change details, review the revision history included in any revised document.

12.3 Community Resources

The following links connect to TI community resources. Linked contents are provided "AS IS" by the respective contributors. They do not constitute TI specifications and do not necessarily reflect TI's views; see TI's [Terms of Use](#).

TI E2E™ Online Community *TI's Engineer-to-Engineer (E2E) Community*. Created to foster collaboration among engineers. At e2e.ti.com, you can ask questions, share knowledge, explore ideas and help solve problems with fellow engineers.

Design Support *TI's Design Support* Quickly find helpful E2E forums along with design support tools and contact information for technical support.

12.4 Trademarks

E2E is a trademark of Texas Instruments.
All other trademarks are the property of their respective owners.

12.5 Electrostatic Discharge Caution



This integrated circuit can be damaged by ESD. Texas Instruments recommends that all integrated circuits be handled with appropriate precautions. Failure to observe proper handling and installation procedures can cause damage.

ESD damage can range from subtle performance degradation to complete device failure. Precision integrated circuits may be more susceptible to damage because very small parametric changes could cause the device not to meet its published specifications.

12.6 Glossary

[SLYZ022](#) — *TI Glossary*.

This glossary lists and explains terms, acronyms, and definitions.

13 Mechanical, Packaging, and Orderable Information

The following pages include mechanical, packaging, and orderable information. This information is the most-current data available for the designated device. This data is subject to change without notice and without revision of this document. For browser-based versions of this data sheet, see the left-hand navigation pane.

PACKAGING INFORMATION

Orderable part number	Status (1)	Material type (2)	Package Pins	Package qty Carrier	RoHS (3)	Lead finish/ Ball material (4)	MSL rating/ Peak reflow (5)	Op temp (°C)	Part marking (6)
LP5030RJVR	Active	Production	VQFN (RJV) 46	3000 LARGE T&R	Yes	NIPDAU	Level-1-260C-UNLIM	-40 to 125	LP5030
LP5030RJVR.A	Active	Production	VQFN (RJV) 46	3000 LARGE T&R	Yes	NIPDAU	Level-1-260C-UNLIM	-40 to 125	LP5030
LP5036RJVR	Active	Production	VQFN (RJV) 46	3000 LARGE T&R	Yes	NIPDAU	Level-1-260C-UNLIM	-40 to 125	LP5036
LP5036RJVR.A	Active	Production	VQFN (RJV) 46	3000 LARGE T&R	Yes	NIPDAU	Level-1-260C-UNLIM	-40 to 125	LP5036
LP5036RJVRG4	Active	Production	VQFN (RJV) 46	3000 LARGE T&R	Yes	NIPDAU	Level-1-260C-UNLIM	-40 to 125	LP5036
LP5036RJVRG4.A	Active	Production	VQFN (RJV) 46	3000 LARGE T&R	Yes	NIPDAU	Level-1-260C-UNLIM	-40 to 125	LP5036

(1) **Status:** For more details on status, see our [product life cycle](#).

(2) **Material type:** When designated, preproduction parts are prototypes/experimental devices, and are not yet approved or released for full production. Testing and final process, including without limitation quality assurance, reliability performance testing, and/or process qualification, may not yet be complete, and this item is subject to further changes or possible discontinuation. If available for ordering, purchases will be subject to an additional waiver at checkout, and are intended for early internal evaluation purposes only. These items are sold without warranties of any kind.

(3) **RoHS values:** Yes, No, RoHS Exempt. See the [TI RoHS Statement](#) for additional information and value definition.

(4) **Lead finish/Ball material:** Parts may have multiple material finish options. Finish options are separated by a vertical ruled line. Lead finish/Ball material values may wrap to two lines if the finish value exceeds the maximum column width.

(5) **MSL rating/Peak reflow:** The moisture sensitivity level ratings and peak solder (reflow) temperatures. In the event that a part has multiple moisture sensitivity ratings, only the lowest level per JEDEC standards is shown. Refer to the shipping label for the actual reflow temperature that will be used to mount the part to the printed circuit board.

(6) **Part marking:** There may be an additional marking, which relates to the logo, the lot trace code information, or the environmental category of the part.

Multiple part markings will be inside parentheses. Only one part marking contained in parentheses and separated by a "~" will appear on a part. If a line is indented then it is a continuation of the previous line and the two combined represent the entire part marking for that device.

Important Information and Disclaimer: The information provided on this page represents TI's knowledge and belief as of the date that it is provided. TI bases its knowledge and belief on information provided by third parties, and makes no representation or warranty as to the accuracy of such information. Efforts are underway to better integrate information from third parties. TI has taken and continues to take reasonable steps to provide representative and accurate information but may not have conducted destructive testing or chemical analysis on incoming materials and chemicals. TI and TI suppliers consider certain information to be proprietary, and thus CAS numbers and other limited information may not be available for release.

In no event shall TI's liability arising out of such information exceed the total purchase price of the TI part(s) at issue in this document sold by TI to Customer on an annual basis.

TAPE AND REEL INFORMATION

QUADRANT ASSIGNMENTS FOR PIN 1 ORIENTATION IN TAPE

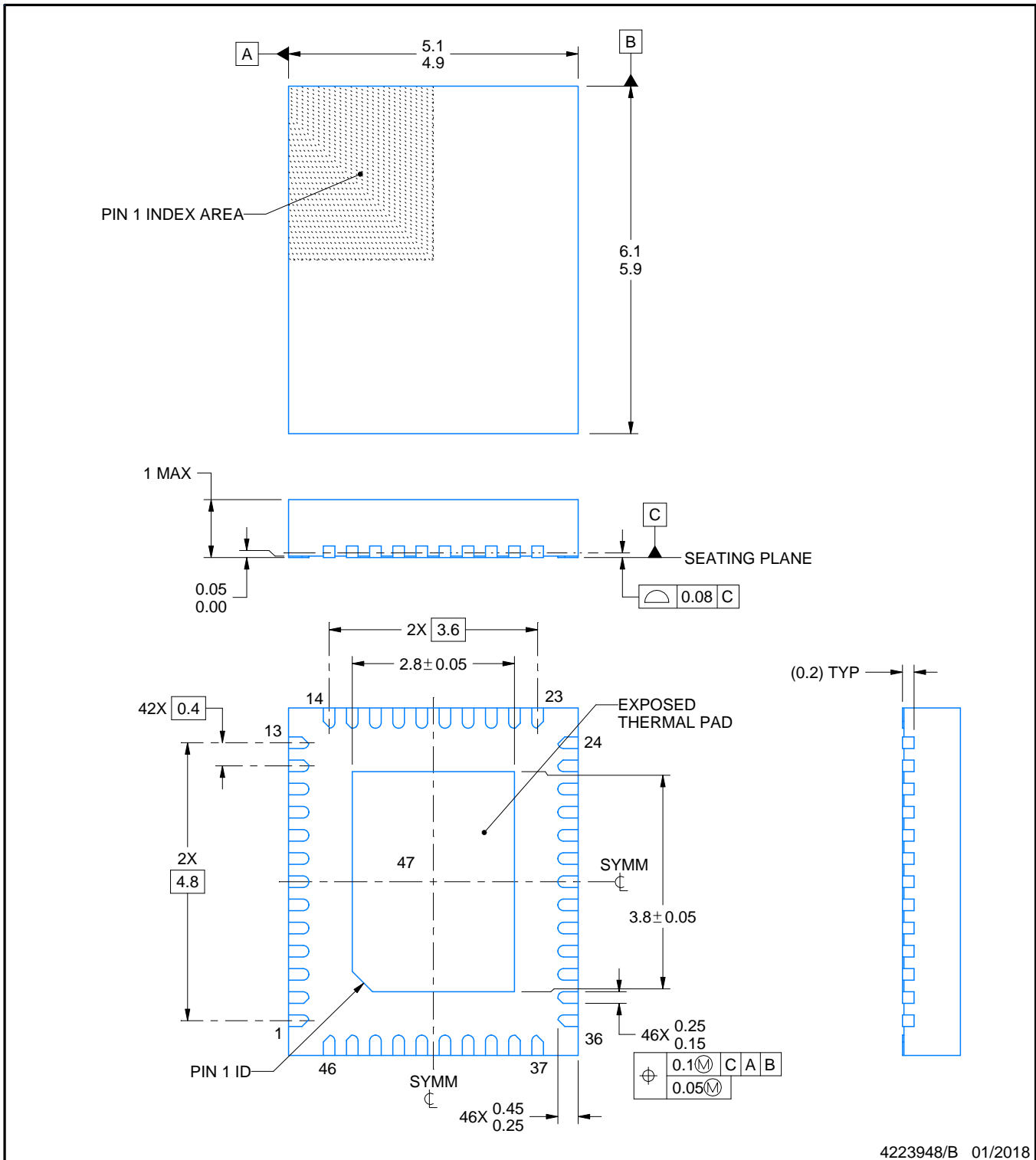
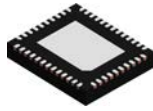

*All dimensions are nominal

Device	Package Type	Package Drawing	Pins	SPQ	Reel Diameter (mm)	Reel Width W1 (mm)	A0 (mm)	B0 (mm)	K0 (mm)	P1 (mm)	W (mm)	Pin1 Quadrant
LP5030RJVR	VQFN	RJV	46	3000	330.0	12.4	5.3	6.3	1.15	8.0	12.0	Q1
LP5036RJVR	VQFN	RJV	46	3000	330.0	12.4	5.3	6.3	1.15	8.0	12.0	Q1
LP5036RJVRG4	VQFN	RJV	46	3000	330.0	12.4	5.3	6.3	1.15	8.0	12.0	Q1

TAPE AND REEL BOX DIMENSIONS


*All dimensions are nominal

Device	Package Type	Package Drawing	Pins	SPQ	Length (mm)	Width (mm)	Height (mm)
LP5030RJVR	VQFN	RJV	46	3000	367.0	367.0	35.0
LP5036RJVR	VQFN	RJV	46	3000	367.0	367.0	35.0
LP5036RJVRG4	VQFN	RJV	46	3000	367.0	367.0	35.0



4223948/B 01/2018

NOTES:

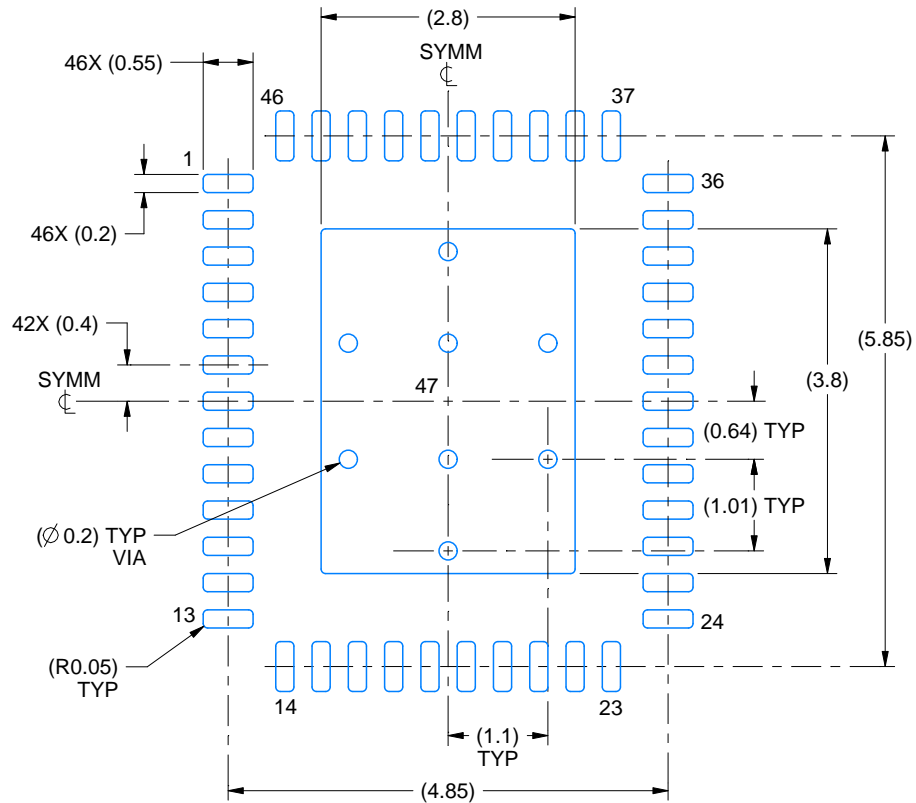
1. All linear dimensions are in millimeters. Any dimensions in parenthesis are for reference only. Dimensioning and tolerancing per ASME Y14.5M.
2. This drawing is subject to change without notice.
3. The package thermal pad must be soldered to the printed circuit board for thermal and mechanical performance.

EXAMPLE BOARD LAYOUT

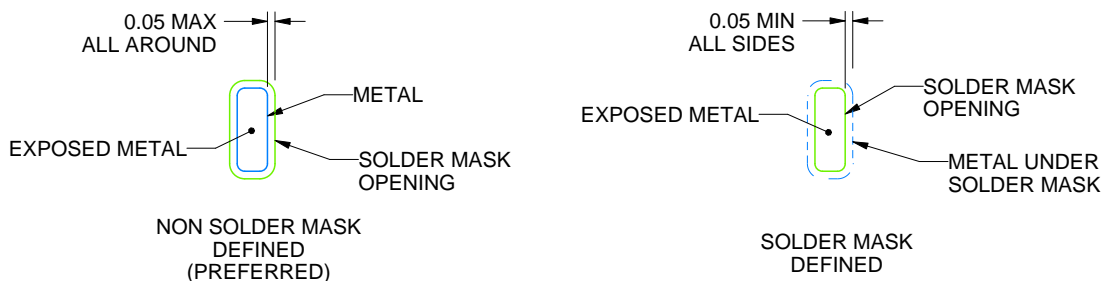
RJV0046A

VQFN - 1 mm max height

PLASTIC QUAD FLATPACK - NO LEAD



LAND PATTERN EXAMPLE
EXPOSED METAL SHOWN
SCALE:12X



SOLDER MASK DETAILS

4223948/B 01/2018

NOTES: (continued)

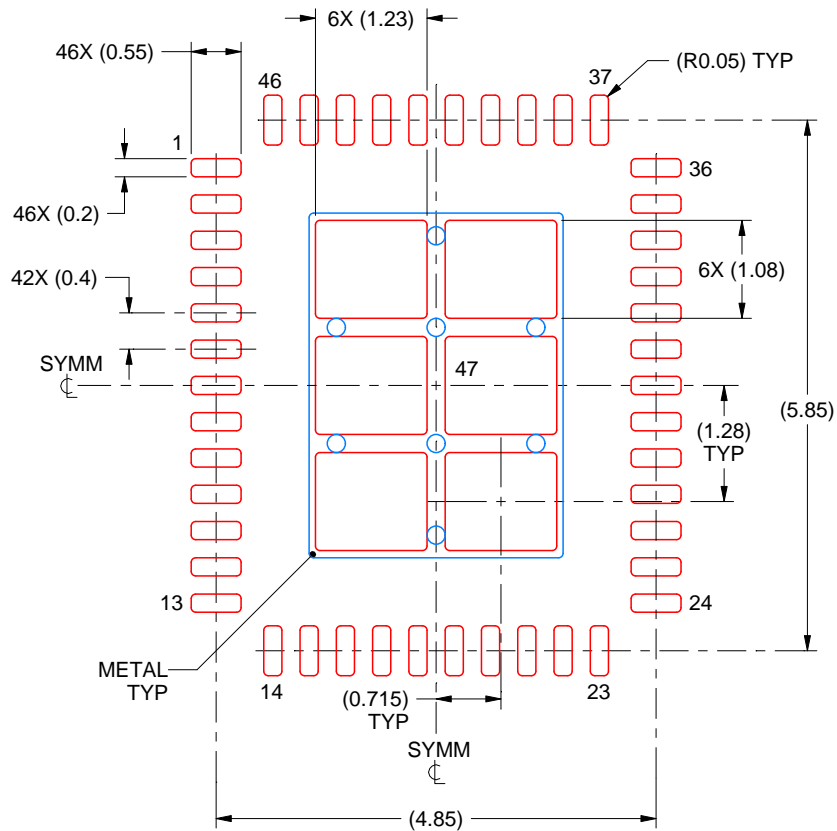
4. This package is designed to be soldered to a thermal pad on the board. For more information, see Texas Instruments literature number SLUA271 (www.ti.com/lit/slue271).
5. Vias are optional depending on application, refer to device data sheet. If any vias are implemented, refer to their locations shown on this view. It is recommended that vias under paste be filled, plugged or tented.

EXAMPLE STENCIL DESIGN

RJV0046A

VQFN - 1 mm max height

PLASTIC QUAD FLATPACK - NO LEAD



SOLDER PASTE EXAMPLE
 BASED ON 0.1 mm THICK STENCIL

EXPOSED PAD 47:
 75% PRINTED SOLDER COVERAGE BY AREA UNDER PACKAGE
 SCALE:12X

4223948/B 01/2018

NOTES: (continued)

6. Laser cutting apertures with trapezoidal walls and rounded corners may offer better paste release. IPC-7525 may have alternate design recommendations.

IMPORTANT NOTICE AND DISCLAIMER

TI PROVIDES TECHNICAL AND RELIABILITY DATA (INCLUDING DATASHEETS), DESIGN RESOURCES (INCLUDING REFERENCE DESIGNS), APPLICATION OR OTHER DESIGN ADVICE, WEB TOOLS, SAFETY INFORMATION, AND OTHER RESOURCES "AS IS" AND WITH ALL FAULTS, AND DISCLAIMS ALL WARRANTIES, EXPRESS AND IMPLIED, INCLUDING WITHOUT LIMITATION ANY IMPLIED WARRANTIES OF MERCHANTABILITY, FITNESS FOR A PARTICULAR PURPOSE OR NON-INFRINGEMENT OF THIRD PARTY INTELLECTUAL PROPERTY RIGHTS.

These resources are intended for skilled developers designing with TI products. You are solely responsible for (1) selecting the appropriate TI products for your application, (2) designing, validating and testing your application, and (3) ensuring your application meets applicable standards, and any other safety, security, regulatory or other requirements.

These resources are subject to change without notice. TI grants you permission to use these resources only for development of an application that uses the TI products described in the resource. Other reproduction and display of these resources is prohibited. No license is granted to any other TI intellectual property right or to any third party intellectual property right. TI disclaims responsibility for, and you fully indemnify TI and its representatives against any claims, damages, costs, losses, and liabilities arising out of your use of these resources.

TI's products are provided subject to [TI's Terms of Sale](#), [TI's General Quality Guidelines](#), or other applicable terms available either on ti.com or provided in conjunction with such TI products. TI's provision of these resources does not expand or otherwise alter TI's applicable warranties or warranty disclaimers for TI products. Unless TI explicitly designates a product as custom or customer-specified, TI products are standard, catalog, general purpose devices.

TI objects to and rejects any additional or different terms you may propose.

Copyright © 2025, Texas Instruments Incorporated

Last updated 10/2025