



## Stereo Audio Codec with USB Interface, Single-Ended Analog Input/Output, and S/PDIF

Check for Samples: [PCM2900C](#), [PCM2902C](#)

### FEATURES

- **PCM2900C: Without S/PDIF**
- **PCM2902C: With S/PDIF**
- **On-Chip USB Interface:**
  - With Full-Speed Transceivers
  - Fully Compliant with USB 2.0 Specification
  - Certified by USB-IF
  - Partially Programmable Descriptors
  - USB Adaptive Mode for Playback
  - USB Asynchronous Mode for Record
  - Bus Powered
- **16-Bit Delta-Sigma ADC and DAC**
- **Sampling Rate:**
  - DAC: 32 kHz, 44.1 kHz, 48 kHz
  - ADC: 8 kHz, 11.025 kHz, 16 kHz, 22.05 kHz, 32 kHz, 44.1 kHz, 48 kHz
- **On-Chip Clock Generator with Single 12-MHz Clock Source**
- **Single Power Supply:**
  - 5 V Typical ( $V_{BUS}$ )
- **Stereo ADC:**
  - Analog Performance at  $V_{BUS} = 5$  V:
    - THD+N = 0.01%
    - SNR = 89 dB
    - Dynamic Range = 89 dB
  - Decimation Digital Filter:
    - Passband Ripple =  $\pm 0.05$  dB
    - Stop Band Attenuation =  $-65$  dB
  - Single-Ended Voltage Input
  - Antialiasing Filter Included
  - Digital HPF Included

- **Stereo DAC:**
  - Analog Performance at  $V_{BUS} = 5$  V:
    - THD+N = 0.005%
    - SNR = 96 dB
    - Dynamic Range = 93 dB
  - Oversampling Digital Filter:
    - Passband Ripple =  $\pm 0.1$  dB
    - Stop Band Attenuation =  $-43$  dB
  - Single-Ended Voltage Output
  - Analog LPF Included
- **Multifunctions:**
  - Human Interface Device (HID) Function:
    - Volume and Mute Controls
  - Suspend Flag Function
- **28-Pin SSOP Package**

### APPLICATIONS

- **USB Audio Speaker**
- **USB Headset**
- **USB Monitor**
- **USB Audio Interface Box**

### DESCRIPTION

The PCM2900C/2902C are Texas Instruments' single-chip, USB, stereo audio codecs with a USB-compliant full-speed protocol controller and S/PDIF (PCM2902C only). The USB protocol controller requires no software code. The PCM2900C/2902C employ SpAct™ architecture, TI's unique system that recovers the audio clock from USB packet data. On-chip analog PLLs with SpAct architecture enable playback and record with low clock jitter as well as independent playback and record sampling rates.



Please be aware that an important notice concerning availability, standard warranty, and use in critical applications of Texas Instruments semiconductor products and disclaimers thereto appears at the end of this data sheet.

SpAct is a trademark of Texas Instruments.

System Two, Audio Precision are trademarks of Audio Precision, Inc.

All other trademarks are the property of their respective owners.



This integrated circuit can be damaged by ESD. Texas Instruments recommends that all integrated circuits be handled with appropriate precautions. Failure to observe proper handling and installation procedures can cause damage.

ESD damage can range from subtle performance degradation to complete device failure. Precision integrated circuits may be more susceptible to damage because very small parametric changes could cause the device not to meet its published specifications.

### PACKAGING/ORDERING INFORMATION<sup>(1)</sup>

PRODUCT	PACKAGE-LEAD	PACKAGE DESIGNATOR	SPECIFIED TEMPERATURE RANGE	PACKAGE MARKING	ORDERING NUMBER	TRANSPORT MEDIA, QUANTITY
PCM2900CDB	SSOP-28	DB	–25°C to +85°C	PCM2900C	PCM2900CDB	Rails, 47
					PCM2900CDBR	Tape and Reel, 2000
PCM2902CDB	SSOP-28	DB	–25°C to +85°C	PCM2902C	PCM2902CDB	Rails, 47
					PCM2902CDBR	Tape and Reel, 2000

(1) For the most current package and ordering information, see the Package Option Addendum at the end of this document, or see the device product folder at [www.ti.com](http://www.ti.com).

### ABSOLUTE MAXIMUM RATINGS<sup>(1)</sup>

Over operating free-air temperature range (unless otherwise noted).

PARAMETER		PCM2900C/PCM2902C	UNIT
V <sub>BUS</sub>	Supply voltage	–0.3 to 6.5	V
	Ground voltage differences, AGND, AGNDP, AGNDX, DGND, DGNDU	±0.1	V
Digital input voltage	SEL0, SEL1, TEST0 (DIN) <sup>(2)</sup>	–0.3 to 6.5	V
	D+, D–, HID0, HID1, HID2, XTI, XTO, TEST1 (DOUT) <sup>(2)</sup> , $\overline{\text{SSPND}}$	–0.3 to (V <sub>DDI</sub> + 0.3) < 4	V
Analog input voltage	V <sub>INL</sub> , V <sub>INR</sub> , V <sub>COM</sub> , V <sub>OUTR</sub> , V <sub>OUTL</sub>	–0.3 to (V <sub>CCCI</sub> + 0.3) < 4	V
	V <sub>CCCI</sub> , V <sub>CCP1I</sub> , V <sub>CCP2I</sub> , V <sub>CCXI</sub> , V <sub>DDI</sub>	–0.3 to 4	V
	Input current (any pins except supplies)	±10	mA
	Ambient temperature under bias	–40 to +125	°C
T <sub>stg</sub>	Storage temperature	–55 to +150	°C
T <sub>J</sub>	Junction temperature	+150	°C
	Package temperature (IR reflow, peak)	+250	°C

- (1) Stresses beyond those listed under *Absolute Maximum Ratings* may cause permanent damage to the device. These are stress ratings only, and functional operation of the device at these or any other conditions beyond those indicated is not implied. Exposure to absolute-maximum-rated conditions for extended periods may affect device reliability.
- (2) TEST0 and TEST1 apply to the PCM2900C; DIN and DOUT apply to the PCM2902C.

### THERMAL INFORMATION

THERMAL METRIC <sup>(1)</sup>		PCM2900C	PCM2902C	UNITS
		DB	DB	
		28 PINS	28 PINS	
θ <sub>JA</sub>	Junction-to-ambient thermal resistance	64.5	64.5	°C/W
θ <sub>JCtop</sub>	Junction-to-case (top) thermal resistance	24.5	24.5	
θ <sub>JB</sub>	Junction-to-board thermal resistance	25.4	25.4	
ψ <sub>JT</sub>	Junction-to-top characterization parameter	2.0	2.0	
ψ <sub>JB</sub>	Junction-to-board characterization parameter	25.0	25.0	
θ <sub>JCbot</sub>	Junction-to-case (bottom) thermal resistance	N/A	N/A	

(1) For more information about traditional and new thermal metrics, see the *IC Package Thermal Metrics* application report, [SPRA953](http://SPRA953).

## ELECTRICAL CHARACTERISTICS

 All specifications at  $T_A = +25^\circ\text{C}$ ,  $V_{\text{BUS}} = 5\text{ V}$ ,  $f_S = 44.1\text{ kHz}$ ,  $f_{\text{IN}} = 1\text{ kHz}$ , and 16-bit data, unless otherwise noted.

PARAMETER		TEST CONDITIONS	PCM2900C, PCM2902C			UNIT		
			MIN	TYP	MAX			
<b>DIGITAL INPUT/OUTPUT</b>								
Host interface		Apply USB Revision 2.0, full speed						
Audio data format		USB isochronous data format						
<b>INPUT LOGIC</b>								
$V_{\text{IH}}$	High-level input voltage	D+, D–			2	3.3	VDC	
		XTI, HID0, HID1, and HID2			2.52	3.3	VDC	
		SEL0, SEL1			2	5.25	VDC	
		DIN (PCM2902C)			2.52	5.25	VDC	
$V_{\text{IL}}$	Low-level input voltage	D+, D–				0.8	VDC	
		XTI, HID0, HID1, and HID2				0.9	VDC	
		SEL0, SEL1				0.8	VDC	
		DIN (PCM2902C)				0.9	VDC	
$I_{\text{IH}}$	High-level input voltage	D+, D–, XTI, SEL0, SEL1	$V_{\text{IN}} = 3.3\text{ V}$			$\pm 10$	$\mu\text{A}$	
		HID0, HID1, and HID2			50	80	$\mu\text{A}$	
		DIN (PCM2902C)			65	100	$\mu\text{A}$	
$I_{\text{IL}}$	Low-level input voltage	D+, D–, XTI, SEL0, SEL1	$V_{\text{IN}} = 0\text{ V}$			$\pm 10$	$\mu\text{A}$	
		HID0, HID1, and HID2				$\pm 10$	$\mu\text{A}$	
		DIN (PCM2902C)				$\pm 10$	$\mu\text{A}$	
<b>OUTPUT LOGIC</b>								
$V_{\text{OH}}$	High-level output voltage	D+, D–			2.8		VDC	
		DOUT (PCM2902C)	$I_{\text{OH}} = -4\text{ mA}$		2.8		VDC	
		$\overline{\text{SSPND}}$	$I_{\text{OH}} = -2\text{ mA}$		2.8		VDC	
$V_{\text{OL}}$	Low-level output voltage	D+, D–				0.3	VDC	
		DOUT (PCM2902C)	$I_{\text{OL}} = 4\text{ mA}$			0.5	VDC	
		$\overline{\text{SSPND}}$	$I_{\text{OL}} = 2\text{ mA}$			0.5	VDC	
<b>CLOCK FREQUENCY</b>								
Input clock frequency, XTI					11.994	12	12.008	MHz

## ELECTRICAL CHARACTERISTICS (continued)

All specifications at  $T_A = +25^\circ\text{C}$ ,  $V_{\text{BUS}} = 5\text{ V}$ ,  $f_S = 44.1\text{ kHz}$ ,  $f_{\text{IN}} = 1\text{ kHz}$ , and 16-bit data, unless otherwise noted.

PARAMETER	TEST CONDITIONS	PCM2900C, PCM2902C			UNIT
		MIN	TYP	MAX	
<b>ADC CHARACTERISTICS</b>					
Resolution			8, 16		Bits
Audio data channel			1, 2		Channel
<b>ADC Clock Frequency</b>					
$f_S$ Sampling frequency			8, 11.025, 16, 22.05, 32, 44.1, 48		kHz
<b>ADC DC Accuracy</b>					
Gain mismatch, channel-to-channel			$\pm 1$	$\pm 5$	% of FSR
Gain error			$\pm 2$	$\pm 10$	% of FSR
Bipolar zero error			$\pm 0$		% of FSR
<b>ADC Dynamic Performance<sup>(1)</sup></b>					
THD+N Total harmonic distortion plus noise	$V_{\text{IN}} = -1\text{ dB}^{(2)}$ , $V_{\text{CCCI}} = 3.67\text{ V}$		0.01	0.02	%
	$V_{\text{IN}} = -1\text{ dB}^{(3)}$		0.1		%
	$V_{\text{IN}} = -60\text{ dB}$		5		%
Dynamic range	A-weighted	81	89		dB
SNR Signal-to-noise ratio	A-weighted	81	89		dB
Channel separation		80	85		dB
<b>Analog Input</b>					
Input voltage			$0.6 V_{\text{CCCI}}$		$V_{\text{PP}}$
Center voltage			$0.5 V_{\text{CCCI}}$		V
Input impedance			30		k $\Omega$
Antialiasing filter frequency response	-3 dB		150		kHz
	$f_{\text{IN}} = 20\text{ kHz}$		-0.08		dB
<b>ADC Digital Filter Performance</b>					
Passband				$0.454 f_S$	Hz
Stop band		$0.583 f_S$			Hz
Passband ripple				$\pm 0.05$	dB
Stop band attenuation		-65			dB
$t_d$ Delay time			$17.4/f_S$		s
HPF frequency response	-3 dB		$0.078 f_S/1000$		Hz

- (1)  $f_{\text{IN}} = 1\text{ kHz}$ , using a System Two™ audio measurement system by Audio Precision™ in RMS mode with 20-kHz LPF, 400-Hz HPF in calculation.
- (2) Using external voltage regulator for  $V_{\text{CCCI}}$  (as shown in Table 7 and Figure 37, using with REG103xA-A).
- (3) Using internal voltage regulator for  $V_{\text{CCCI}}$  (as shown in Figure 38 and Figure 39).

**ELECTRICAL CHARACTERISTICS (continued)**

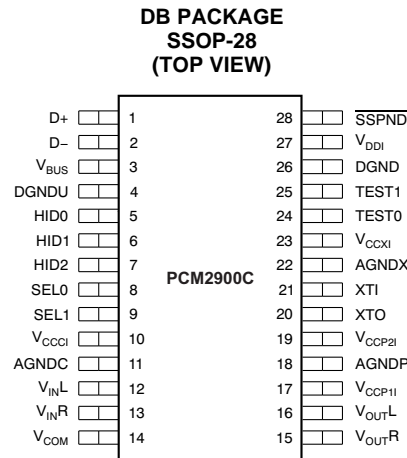
All specifications at  $T_A = +25^\circ\text{C}$ ,  $V_{\text{BUS}} = 5\text{ V}$ ,  $f_S = 44.1\text{ kHz}$ ,  $f_{\text{IN}} = 1\text{ kHz}$ , and 16-bit data, unless otherwise noted.

PARAMETER		TEST CONDITIONS	PCM2900C, PCM2902C			UNIT
			MIN	TYP	MAX	
<b>DAC CHARACTERISTICS</b>						
	Resolution			8, 16		Bits
	Audio data channel			1, 2		Channel
<b>DAC Clock Frequency</b>						
$f_S$	Sampling frequency			32, 44.1, 48		kHz
<b>DAC DC Accuracy</b>						
	Gain mismatch channel-to-channel			$\pm 1$	$\pm 5$	% of FSR
	Gain error			$\pm 2$	$\pm 10$	% of FSR
	Bipolar zero error			$\pm 2$		% of FSR
<b>DAC Dynamic Performance<sup>(4)</sup></b>						
THD+N	Total harmonic distortion plus noise	$V_{\text{OUT}} = 0\text{ dB}$		0.005	0.016	%
		$V_{\text{OUT}} = -60\text{ dB}$		3		%
	Dynamic range	EIAJ, A-weighted	87	93		dB
SNR	Signal-to-noise ratio	EIAJ, A-weighted	90	96		dB
	Channel separation		86	92		dB
<b>Analog Output</b>						
$V_O$	Output voltage			$0.6 V_{\text{CCCI}}$		$V_{\text{PP}}$
	Center voltage			$0.5 V_{\text{CCCI}}$		V
	Load impedance	AC coupling	10			k $\Omega$
	LPF frequency response	-3 dB		250		kHz
		$f = 20\text{ kHz}$		-0.03		dB
<b>DAC Digital Filter Performance</b>						
	Passband				$0.445 f_S$	Hz
	Stop band		$0.555 f_S$			Hz
	Passband ripple				$\pm 0.1$	dB
	Stop band attenuation		-43			dB
$t_d$	Delay time				$14.3 f_S$	s
<b>POWER-SUPPLY REQUIREMENTS</b>						
$V_{\text{BUS}}$	Voltage range		4.35	5	5.25	VDC
	Supply current	ADC, DAC operation		56	67	mA
		Suspend mode <sup>(5)</sup>		250		$\mu\text{A}$
$P_D$	Power dissipation	ADC, DAC operation		280	352	mW
		Suspend mode <sup>(5)</sup>		1.25		mW
$V_{\text{CCCI}}$ , $V_{\text{CCP1I}}$ , $V_{\text{CCP2I}}$ , $V_{\text{CCXI}}$ , $V_{\text{DDI}}$	Internal power-supply voltage		3.1	3.3	3.5	VDC
<b>TEMPERATURE RANGE</b>						
	Operating temperature range		-25		+85	$^\circ\text{C}$

(4)  $f_{\text{OUT}} = 1\text{ kHz}$ , using a System Two audio measurement system by Audio Precision in RMS mode with 20-kHz LPF, 400-Hz HPF.

(5) Under USB suspend state.

## PCM2900C PIN ASSIGNMENTS

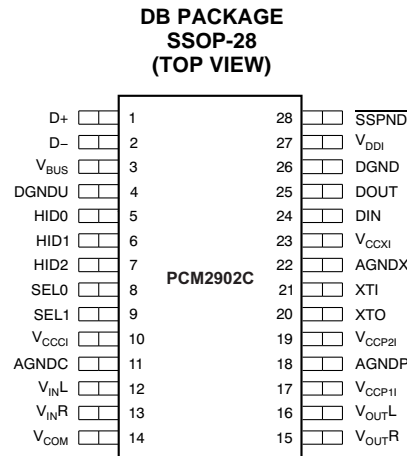


**Table 1. PCM2900C TERMINAL FUNCTIONS**

TERMINAL		I/O	DESCRIPTION
NAME	NO.		
AGNDC	11	–	Analog ground for codec
AGNDP	18	–	Analog ground for PLL
AGNDX	22	–	Analog ground for oscillator
D–	2	I/O	USB differential input/output minus <sup>(1)</sup>
D+	1	I/O	USB differential input/output plus <sup>(1)</sup>
DGND	26	–	Digital ground
DGNDU	4	–	Digital ground for USB transceiver
HID0	5	I	HID key state input (mute), active-high <sup>(2)</sup>
HID1	6	I	HID key state input (volume up), active-high <sup>(2)</sup>
HID2	7	I	HID key state input (volume down), active-high <sup>(2)</sup>
SEL0	8	I	Must be set to high <sup>(3)</sup>
SEL1	9	I	Must be set to high <sup>(3)</sup>
SSPND	28	O	Suspend flag, active-low (low: suspend, high: operational)
TEST0	24	I	Test pin, must be connected to GND
TEST1	25	O	Test pin, must be left open
V <sub>BUS</sub>	3	–	Connect to USB power (V <sub>BUS</sub> )
V <sub>CCCI</sub>	10	–	Internal analog power supply for codec <sup>(4)</sup>
V <sub>CCP1I</sub>	17	–	Internal analog power supply for PLL <sup>(4)</sup>
V <sub>CCP2I</sub>	19	–	Internal analog power supply for PLL <sup>(4)</sup>
V <sub>CCXI</sub>	23	–	Internal analog power supply for oscillator <sup>(4)</sup>
V <sub>COM</sub>	14	–	Common for ADC/DAC (V <sub>CCCI/2</sub> ) <sup>(4)</sup>
V <sub>DDI</sub>	27	–	Internal digital power supply <sup>(4)</sup>
V <sub>INL</sub>	12	I	ADC analog input for L-channel
V <sub>INR</sub>	13	I	ADC analog input for R-channel
V <sub>OUTL</sub>	16	O	DAC analog output for L-channel
V <sub>OUTR</sub>	15	O	DAC analog output for R-channel
XTI	21	I	Crystal oscillator input <sup>(5)</sup>
XTO	20	O	Crystal oscillator output

- (1) LV-TTL level.
- (2) 3.3-V CMOS-level input with internal pull-down. This pin informs the PC of serviceable control signals such as mute, volume up, or volume down, which have no connection with the internal DAC or ADC directly. See the [Interface #3](#) and [End-Points](#) sections.
- (3) TTL Schmitt trigger, 5-V tolerant.
- (4) Connect a decoupling capacitor to GND.
- (5) 3.3-V, CMOS-level input.

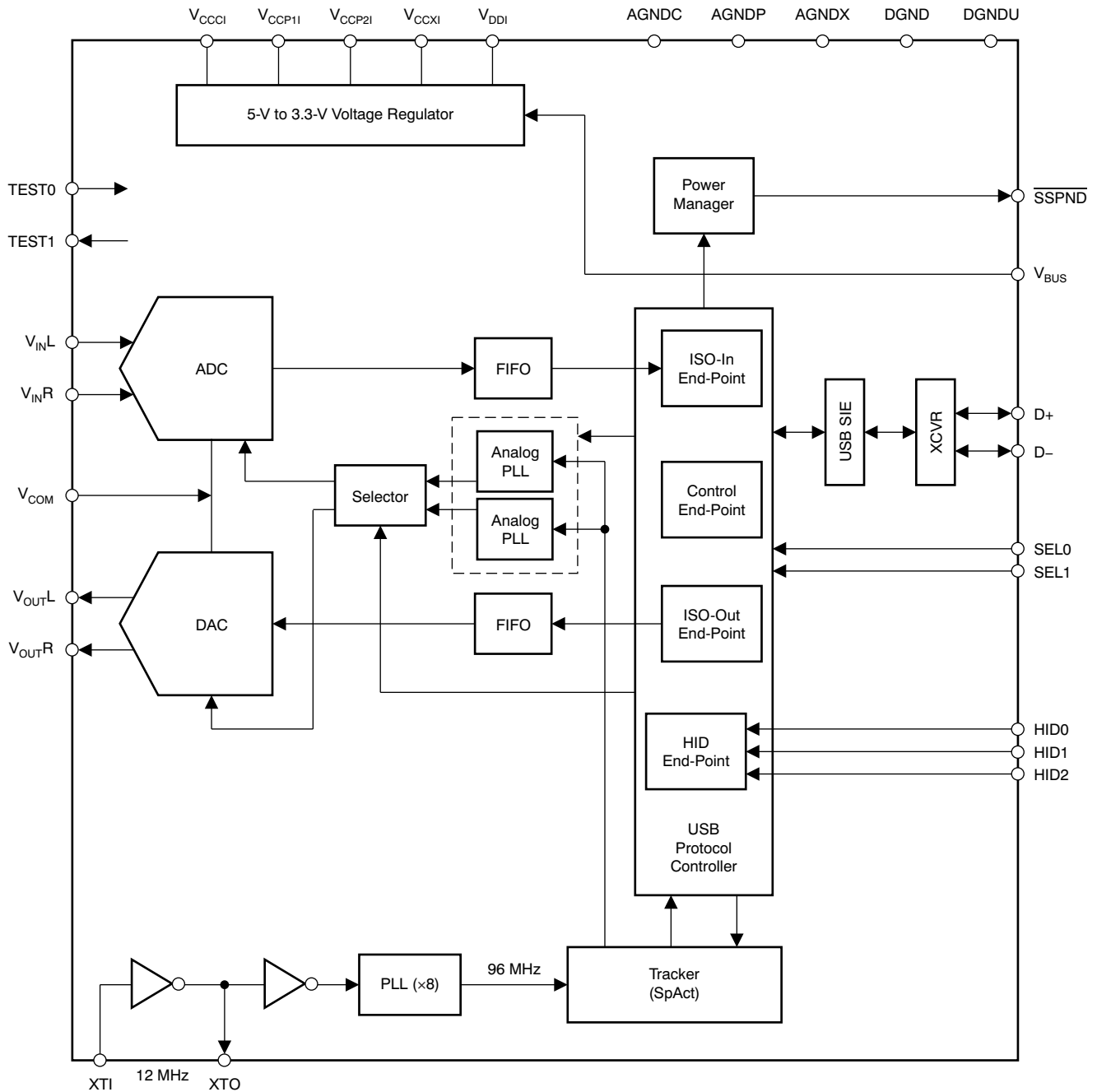
## PCM2902C PIN ASSIGNMENTS


**Table 2. PCM2902C TERMINAL FUNCTIONS**

TERMINAL		I/O	DESCRIPTION
NAME	NO.		
AGNDC	11	–	Analog ground for codec
AGNDP	18	–	Analog ground for PLL
AGNDX	22	–	Analog ground for oscillator
D–	2	I/O	USB differential input/output minus <sup>(1)</sup>
D+	1	I/O	USB differential input/output plus <sup>(1)</sup>
DGND	26	–	Digital ground
DGNDU	4	–	Digital ground for USB transceiver
DIN	24	I	S/PDIF input <sup>(2)</sup>
DOUT	25	O	S/PDIF output
HID0	5	I	HID key state input (mute), active high <sup>(3)</sup>
HID1	6	I	HID key state input (volume up), active high <sup>(3)</sup>
HID2	7	I	HID key state input (volume down), active high <sup>(3)</sup>
SEL0	8	I	Must be set to high <sup>(4)</sup>
SEL1	9	I	Must be set to high <sup>(4)</sup>
SSPND	28	O	Suspend flag, active-low (low: suspend, high: operational)
V <sub>BUS</sub>	3	–	Connect to USB power (V <sub>BUS</sub> )
V <sub>CCCI</sub>	10	–	Internal analog power supply for codec <sup>(5)</sup>
V <sub>CCP1I</sub>	17	–	Internal analog power supply for PLL <sup>(5)</sup>
V <sub>CCP2I</sub>	19	–	Internal analog power supply for PLL <sup>(5)</sup>
V <sub>CCXI</sub>	23	–	Internal analog power supply for oscillator <sup>(5)</sup>
V <sub>COM</sub>	14	–	Common for ADC/DAC (V <sub>CCCI/2</sub> ) <sup>(5)</sup>
V <sub>DDI</sub>	27	–	Internal digital power supply
V <sub>INL</sub>	12	I	ADC analog input for L-channel
V <sub>INR</sub>	13	I	ADC analog input for R-channel
V <sub>OUTL</sub>	16	O	DAC analog output for L-channel
V <sub>OUTR</sub>	15	O	DAC analog output for R-channel
XTI	21	I	Crystal oscillator input <sup>(6)</sup>
XTO	20	O	Crystal oscillator output

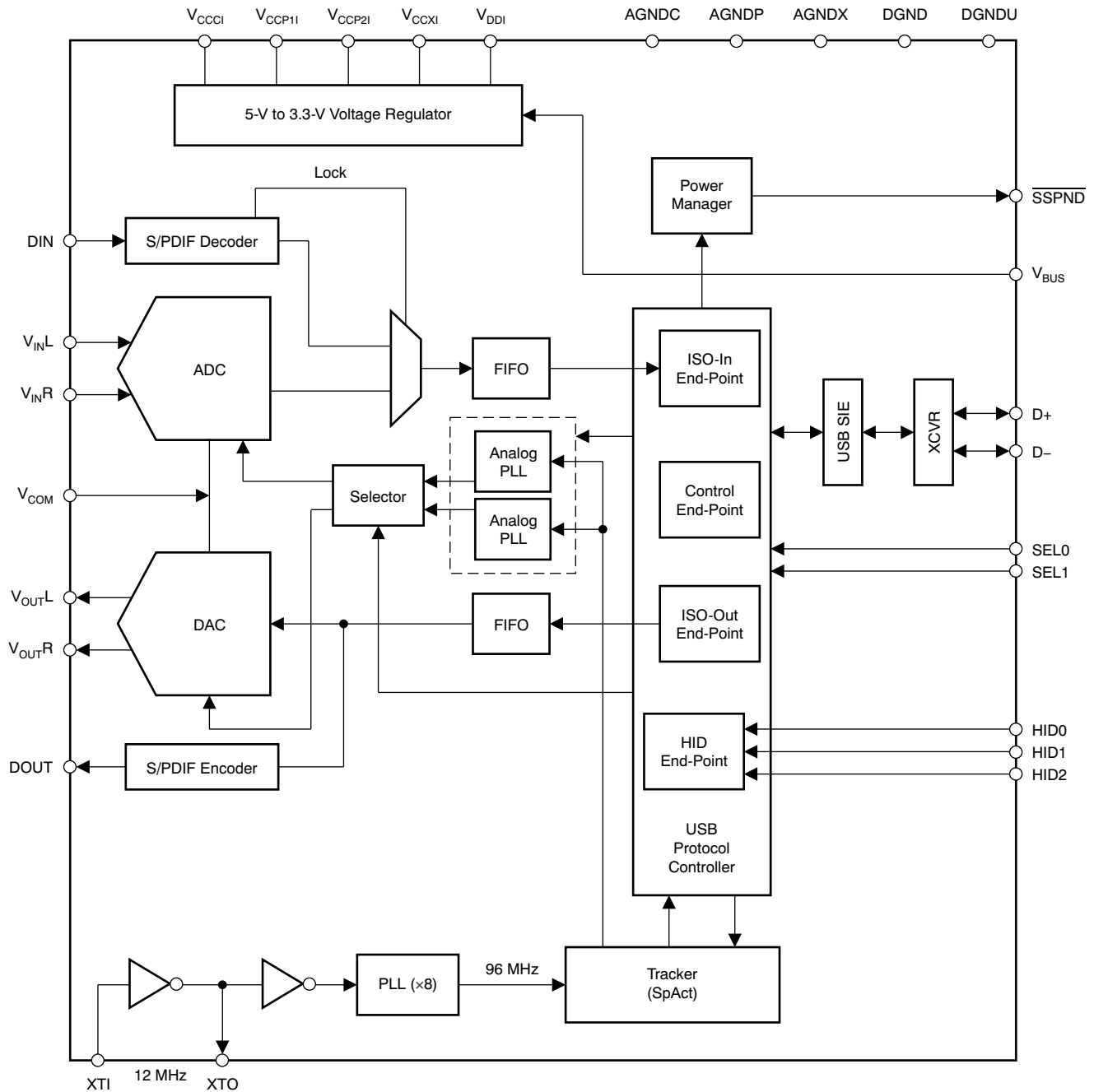
- (1) LV-TTL level.
- (2) 3.3-V CMOS-level input with internal pull-down, 5-V tolerant.
- (3) 3.3-V CMOS-level input with internal pull-down. This pin informs the PC of serviceable control signals such as mute, volume up, or volume down, which have no connection with the internal DAC or ADC directly. See the [Interface #3](#) and [End-Points](#) sections.
- (4) TTL Schmitt trigger, 5-V tolerant.
- (5) Connect a decoupling capacitor to GND.
- (6) 3.3-V, CMOS-level input.

PCM2900C FUNCTIONAL BLOCK DIAGRAM

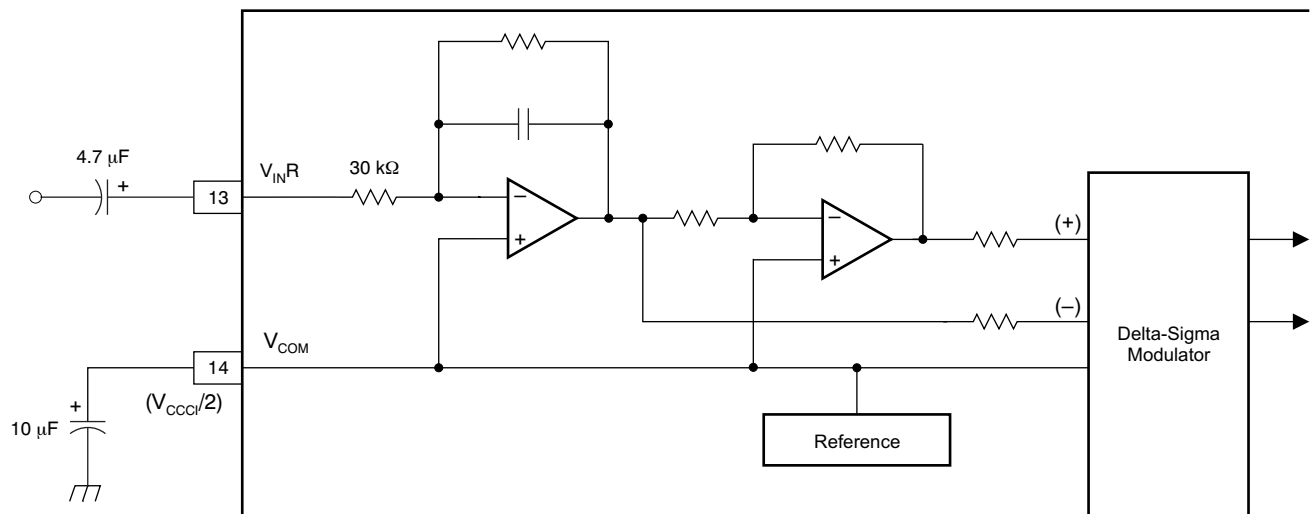




PCM2902C FUNCTIONAL BLOCK DIAGRAM



PCM2900C/2902C DIAGRAM OF ANALOG FRONT-END (RIGHT CHANNEL)



### TYPICAL CHARACTERISTICS: ADC

All specifications at  $T_A = +25^\circ\text{C}$ ,  $V_{BUS} = 5\text{ V}$ ,  $f_S = 44.1\text{ kHz}$ ,  $f_{in} = 1\text{ kHz}$ , 16-bit data, using REG 103xA-A, unless otherwise noted.

**TOTAL HARMONIC DISTORTION + NOISE at -1 dB vs FREE-AIR TEMPERATURE**

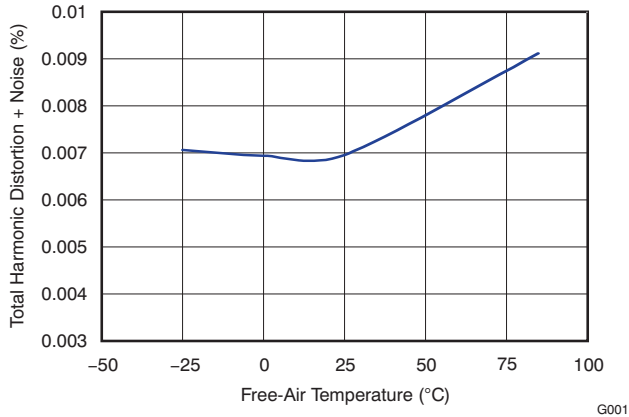


Figure 1.

**DYNAMIC RANGE and SNR vs FREE-AIR TEMPERATURE**

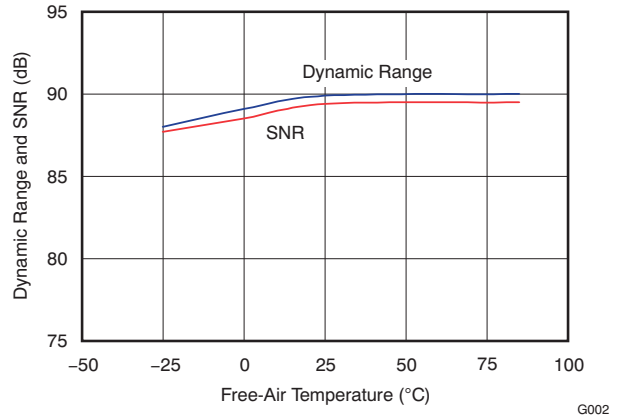


Figure 2.

**TOTAL HARMONIC DISTORTION + NOISE at -1 dB vs SUPPLY VOLTAGE**

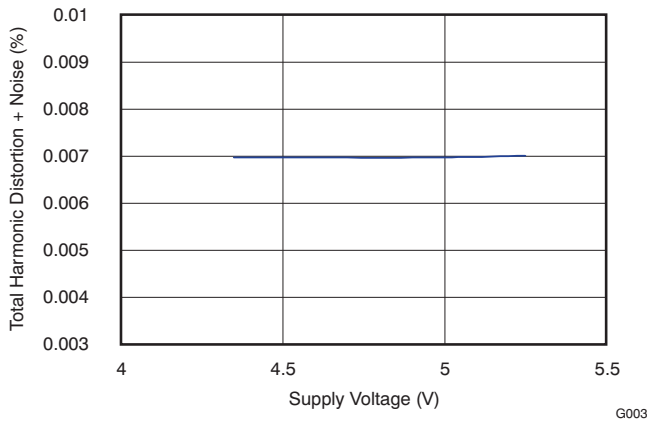


Figure 3.

**DYNAMIC RANGE and SNR vs SUPPLY VOLTAGE**

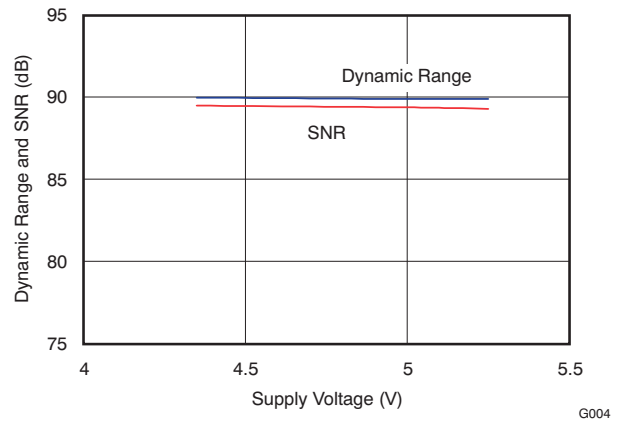


Figure 4.

**TOTAL HARMONIC DISTORTION + NOISE at -1 dB vs SAMPLING FREQUENCY**

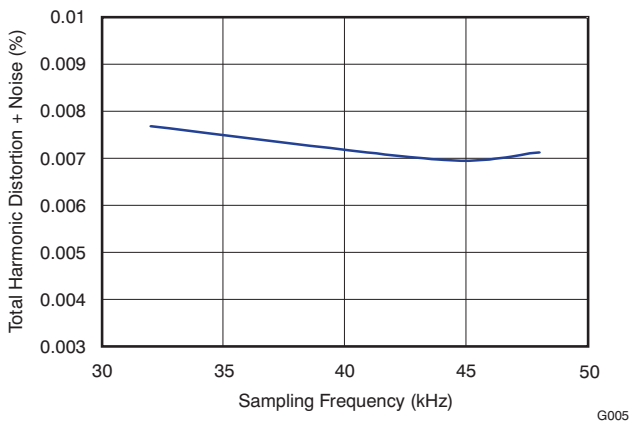


Figure 5.

**DYNAMIC RANGE AND SNR vs SAMPLING FREQUENCY**

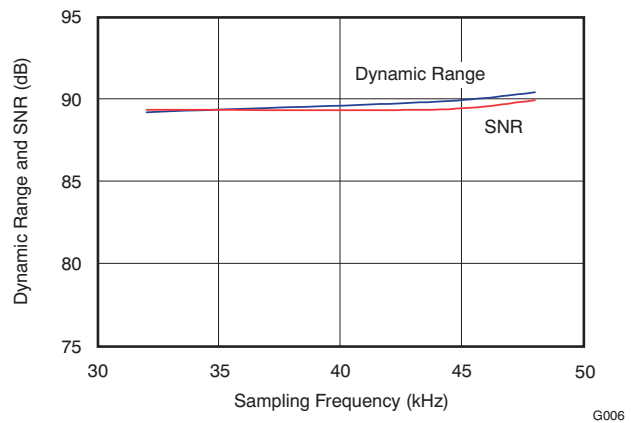


Figure 6.

### TYPICAL CHARACTERISTICS: DAC

All specifications at  $T_A = +25^\circ\text{C}$ ,  $V_{BUS} = 5\text{ V}$ ,  $f_S = 44.1\text{ kHz}$ ,  $f_{in} = 1\text{ kHz}$ , 16-bit data, using REG 103xA-A, unless otherwise noted.

**TOTAL HARMONIC DISTORTION + NOISE at 0 dB  
vs FREE-AIR TEMPERATURE**

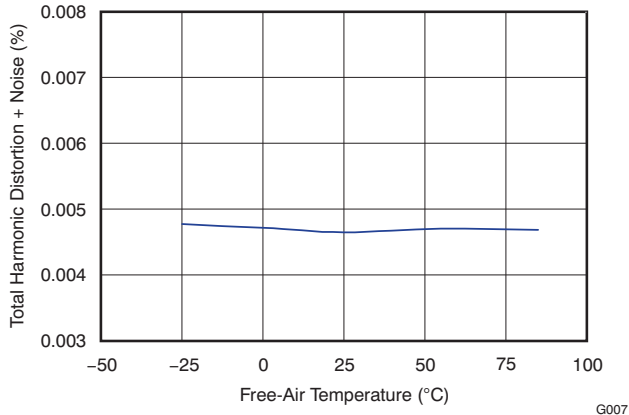


Figure 7.

**DYNAMIC RANGE AND SNR  
vs FREE-AIR TEMPERATURE**

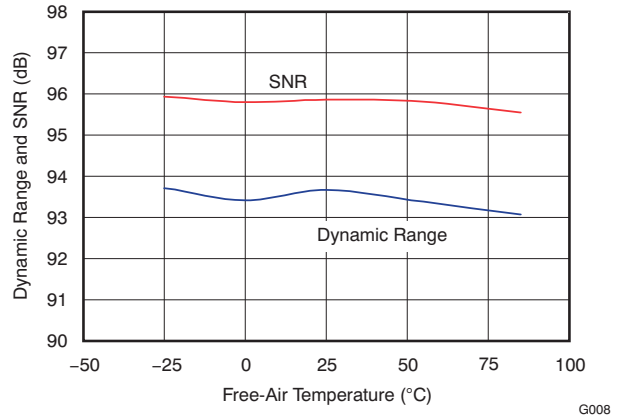


Figure 8.

**TOTAL HARMONIC DISTORTION + NOISE at 0 dB  
vs SUPPLY VOLTAGE**

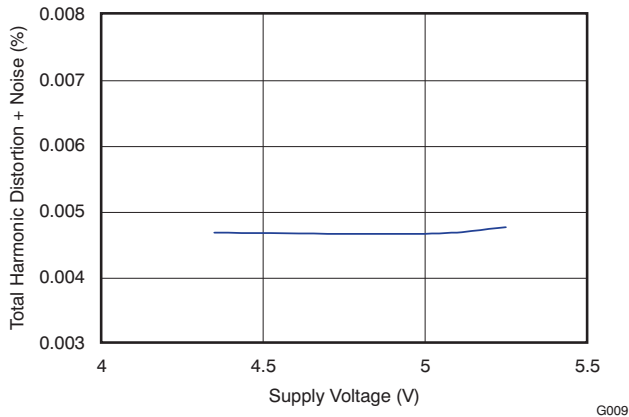


Figure 9.

**DYNAMIC RANGE AND SNR  
vs SUPPLY VOLTAGE**

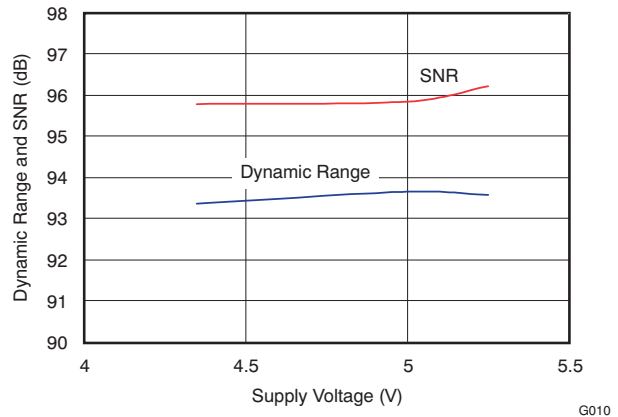


Figure 10.

**TOTAL HARMONIC DISTORTION + NOISE at 0 dB  
vs SAMPLING FREQUENCY**

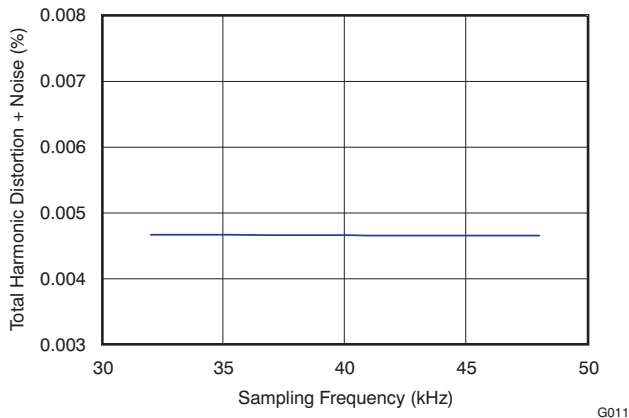


Figure 11.

**DYNAMIC RANGE AND SNR  
vs SAMPLING FREQUENCY**

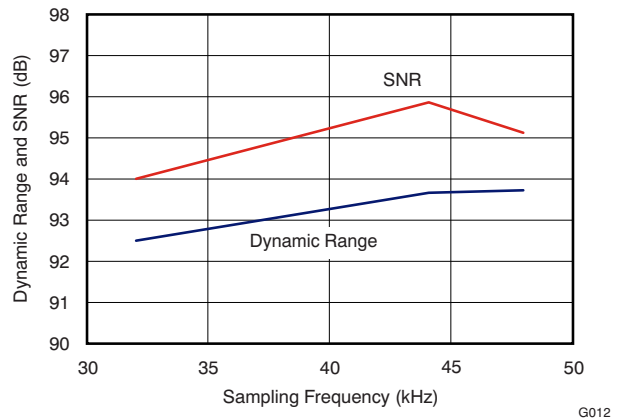


Figure 12.

### TYPICAL CHARACTERISTICS: SUPPLY CURRENT

All specifications at  $T_A = +25^\circ\text{C}$ ,  $V_{BUS} = 5\text{ V}$ ,  $f_S = 44.1\text{ kHz}$ ,  $f_{in} = 1\text{ kHz}$ , 16-bit data, using REG 103xA-A, unless otherwise noted.

**OPERATIONAL AND SUSPEND SUPPLY CURRENT vs SUPPLY VOLTAGE**

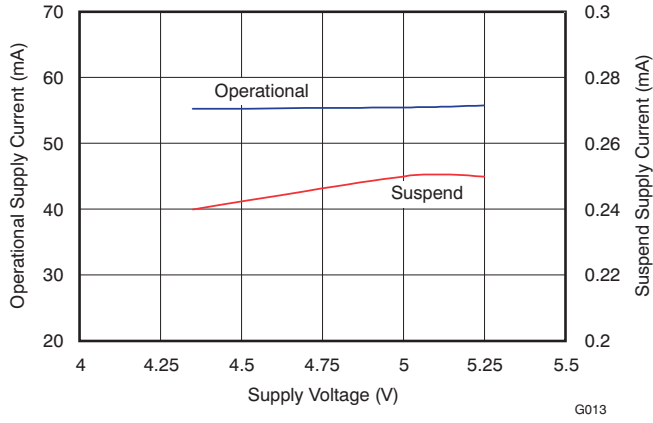


Figure 13.

**OPERATIONAL SUPPLY CURRENT vs SAMPLING FREQUENCY**

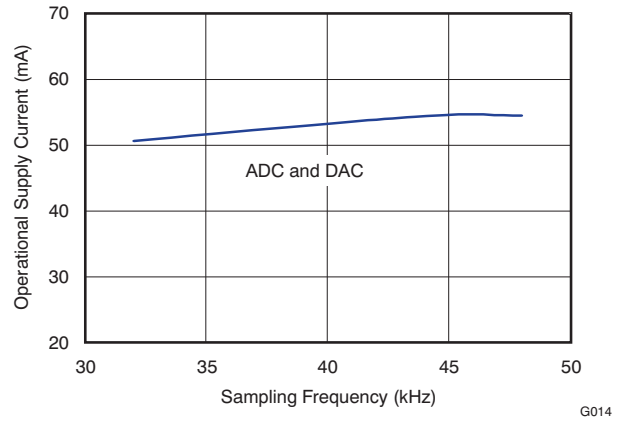


Figure 14.

**SUSPEND SUPPLY CURRENT vs FREE-AIR TEMPERATURE**

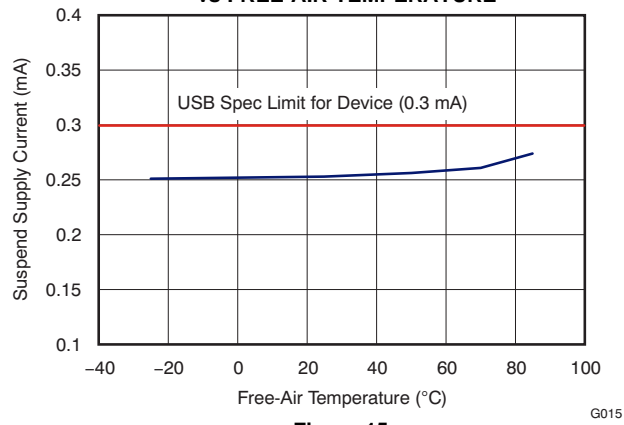


Figure 15.

**TYPICAL CHARACTERISTICS: ADC DIGITAL DECIMATION FILTER FREQUENCY RESPONSE**

All specifications at  $T_A = +25^\circ\text{C}$ ,  $V_{BUS} = 5\text{ V}$ ,  $f_S = 44.1\text{ kHz}$ ,  $f_{in} = 1\text{ kHz}$ , 16-bit data, unless otherwise noted.

**OVERALL CHARACTERISTICS**

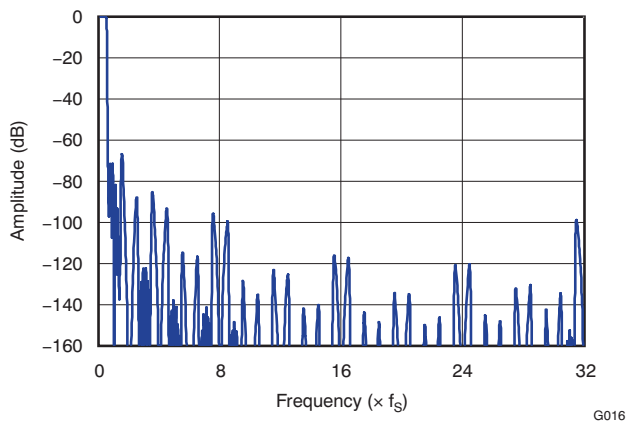


Figure 16.

**STOP BAND ATTENUATION**

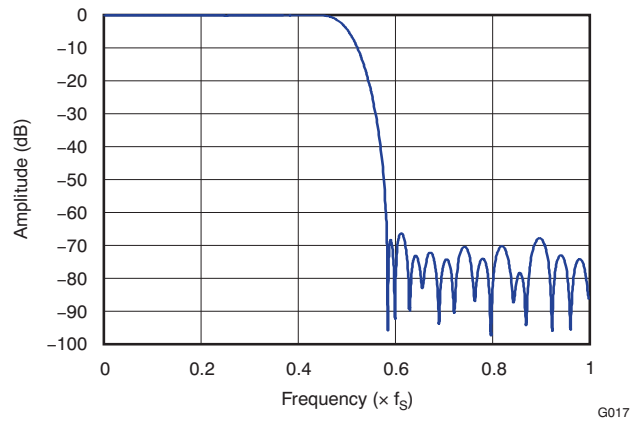


Figure 17.

**PASSBAND RIPPLE**

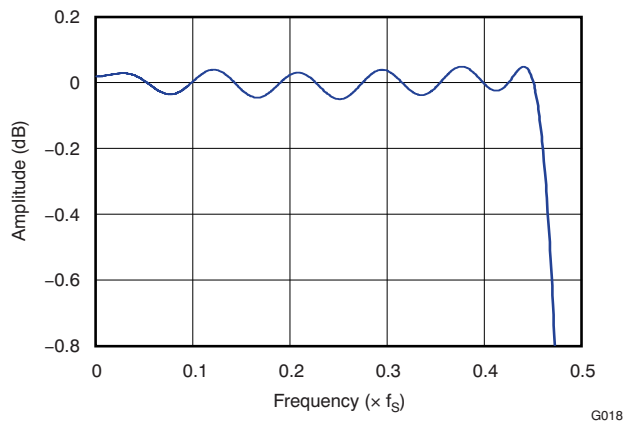


Figure 18.

**TRANSITION-BAND RESPONSE**

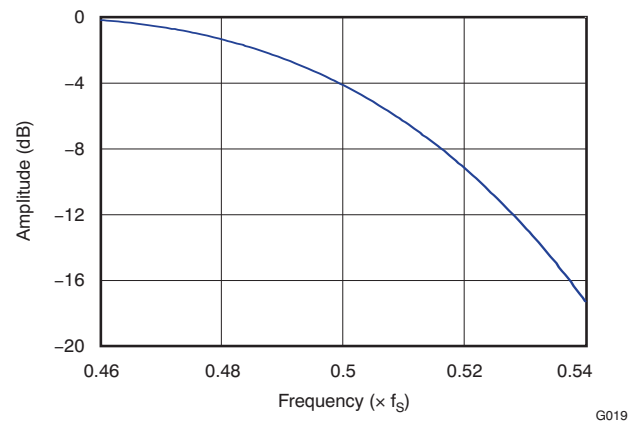


Figure 19.

**TYPICAL CHARACTERISTICS: ADC DIGITAL HIGH-PASS FILTER FREQUENCY RESPONSE**

All specifications at  $T_A = +25^\circ\text{C}$ ,  $V_{BUS} = 5\text{ V}$ ,  $f_S = 44.1\text{ kHz}$ ,  $f_{in} = 1\text{ kHz}$ , 16-bit data, unless otherwise noted.

**STOP BAND CHARACTERISTICS**

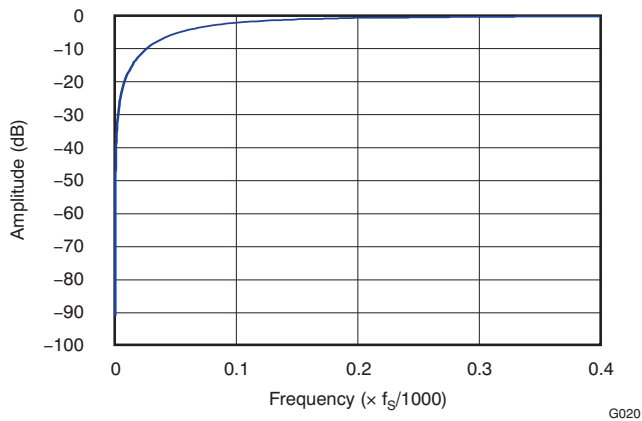


Figure 20.

**PASSBAND CHARACTERISTICS**

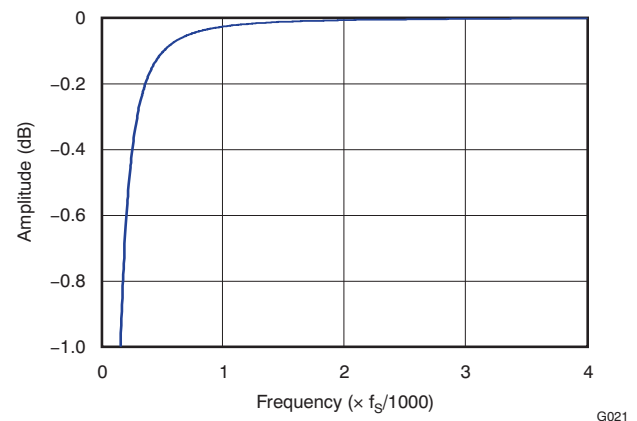


Figure 21.

**TYPICAL CHARACTERISTICS: ADC ANALOG ANTIALIASING FILTER FREQUENCY RESPONSE**

All specifications at  $T_A = +25^\circ\text{C}$ ,  $V_{BUS} = 5\text{ V}$ ,  $f_S = 44.1\text{ kHz}$ ,  $f_{in} = 1\text{ kHz}$ , 16-bit data, unless otherwise noted.

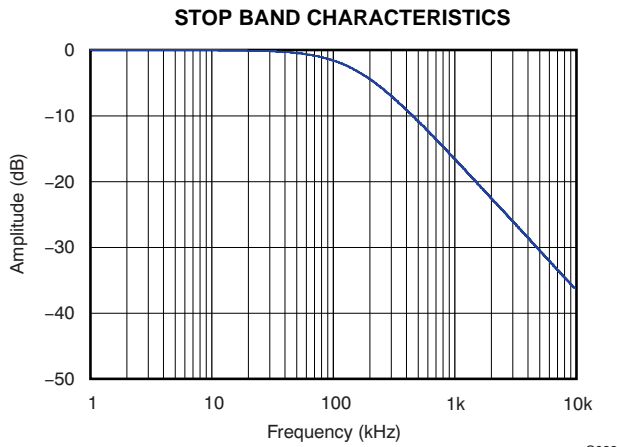


Figure 22.

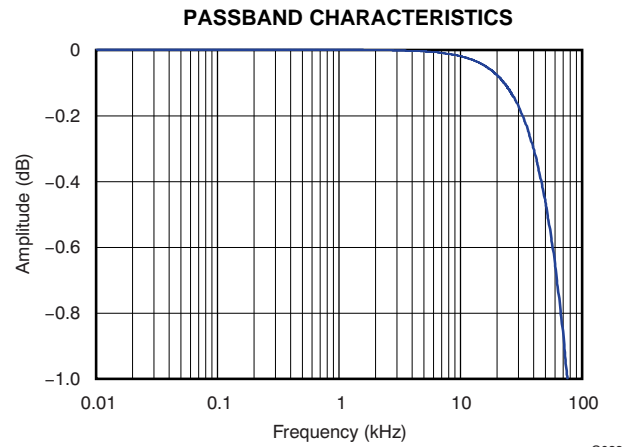


Figure 23.

**TYPICAL CHARACTERISTICS: DAC DIGITAL INTERPOLATION FILTER FREQUENCY RESPONSE**

All specifications at  $T_A = +25^\circ\text{C}$ ,  $V_{BUS} = 5\text{ V}$ ,  $f_S = 44.1\text{ kHz}$ ,  $f_{in} = 1\text{ kHz}$ , 16-bit data, unless otherwise noted.

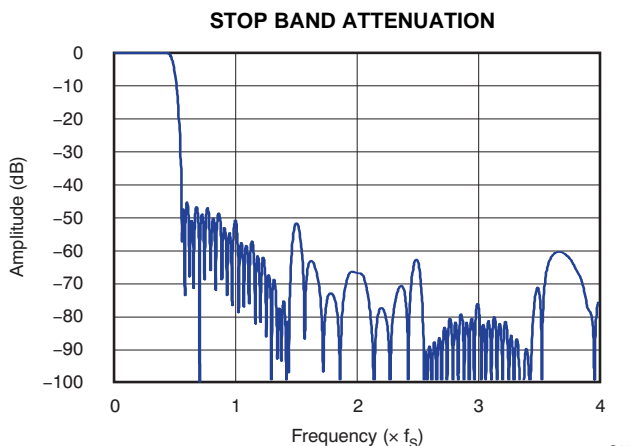


Figure 24.

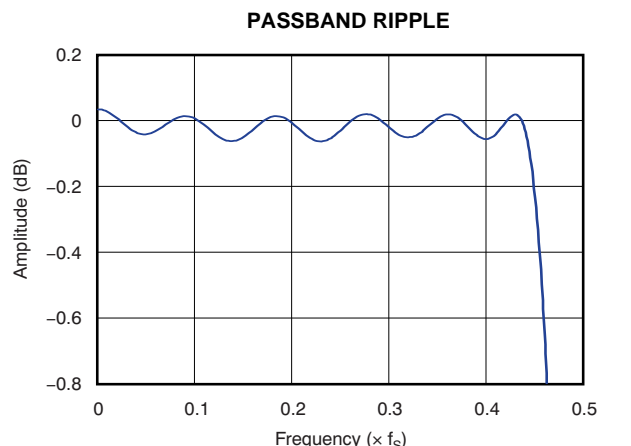


Figure 25.

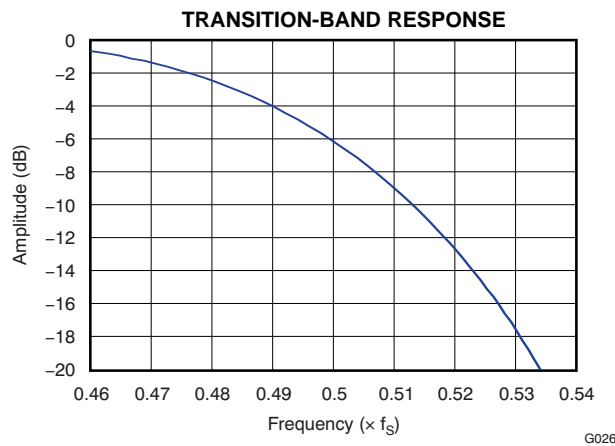


Figure 26.

**TYPICAL CHARACTERISTICS: DAC ANALOG FIR FILTER FREQUENCY RESPONSE**

All specifications at  $T_A = +25^\circ\text{C}$ ,  $V_{BUS} = 5\text{ V}$ ,  $f_S = 44.1\text{ kHz}$ ,  $f_{in} = 1\text{ kHz}$ , 16-bit data, unless otherwise noted.

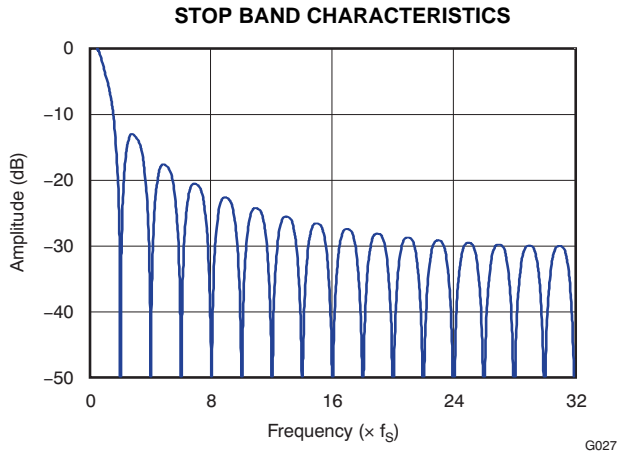


Figure 27.

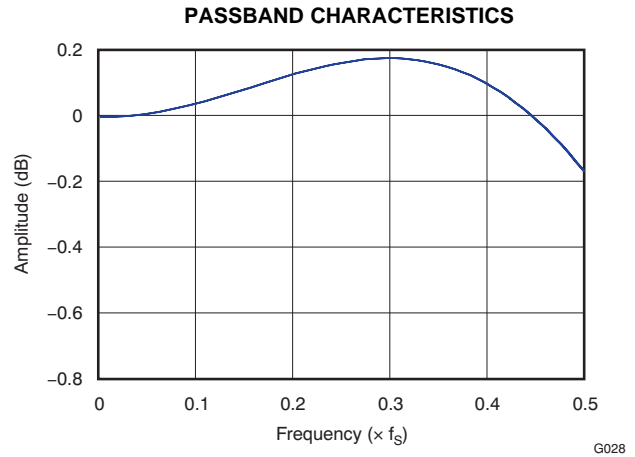


Figure 28.

**TYPICAL CHARACTERISTICS: DAC ANALOG LOW-PASS FILTER FREQUENCY RESPONSE**

All specifications at  $T_A = +25^\circ\text{C}$ ,  $V_{BUS} = 5\text{ V}$ ,  $f_S = 44.1\text{ kHz}$ ,  $f_{in} = 1\text{ kHz}$ , 16-bit data, unless otherwise noted.

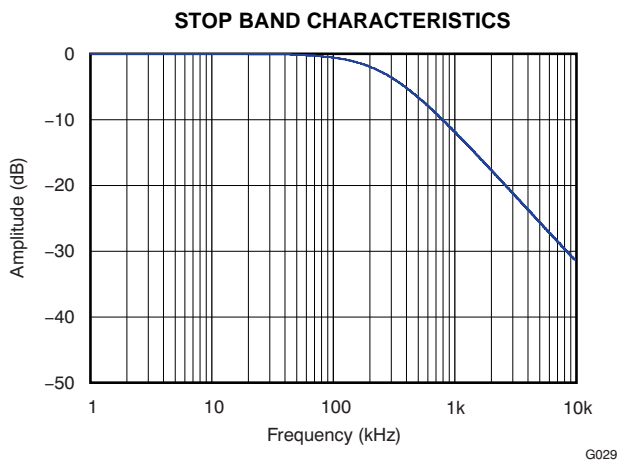


Figure 29.

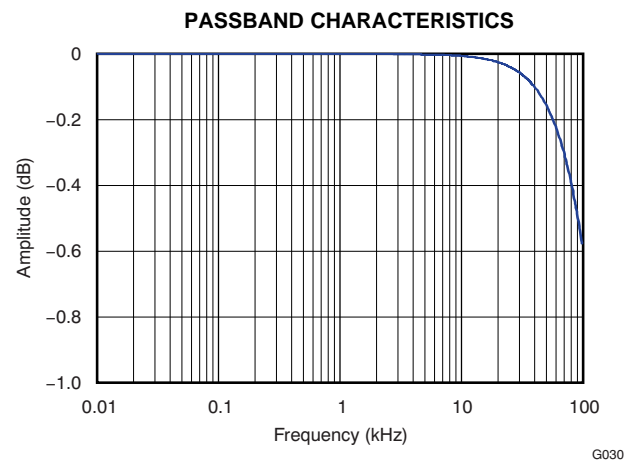


Figure 30.



## DETAILED DESCRIPTION

### USB INTERFACE

Control data and audio data are transferred to the PCM2900C/2902C via D+ (pin 1) and D– (pin 2). All data to/from the PCM2900C/2902C are transferred at full speed. The device descriptor contains the information described in [Table 3](#).

**Table 3. Device Description**

USB revision	2.0 compliant
Device class	0x00 (device-defined interface level)
Device subclass	0x00 (not specified)
Device protocol	0x00 (not specified)
Max packet size for end-point 0	8 bytes
Vendor ID	0x08BB
Product ID	0x29C0 / 0x29C2
Device release number	1.0 (0x0100)
Number of configurations	1
Vendor strings	String #1 (see <a href="#">Table 5</a> )
Product strings	String #2 (see <a href="#">Table 5</a> )
Serial number	Not supported

The configuration descriptor contains the information described in [Table 4](#).

**Table 4. Configuration Descriptor**

Interface	Four interfaces
Power attribute	0x80 (Bus-powered, no remote wakeup)
Max power	0x32 (100 mA)

The string descriptor contains the information described in [Table 5](#).

**Table 5. String Descriptor**

#0	0x0409
#1	BurrBrown from Texas Instruments
#2	USB AUDIO CODEC

## DEVICE CONFIGURATION

Figure 31 illustrates the USB audio function topology. The PCM2900C/2902C has four interfaces. Each interface consists of alternative settings.

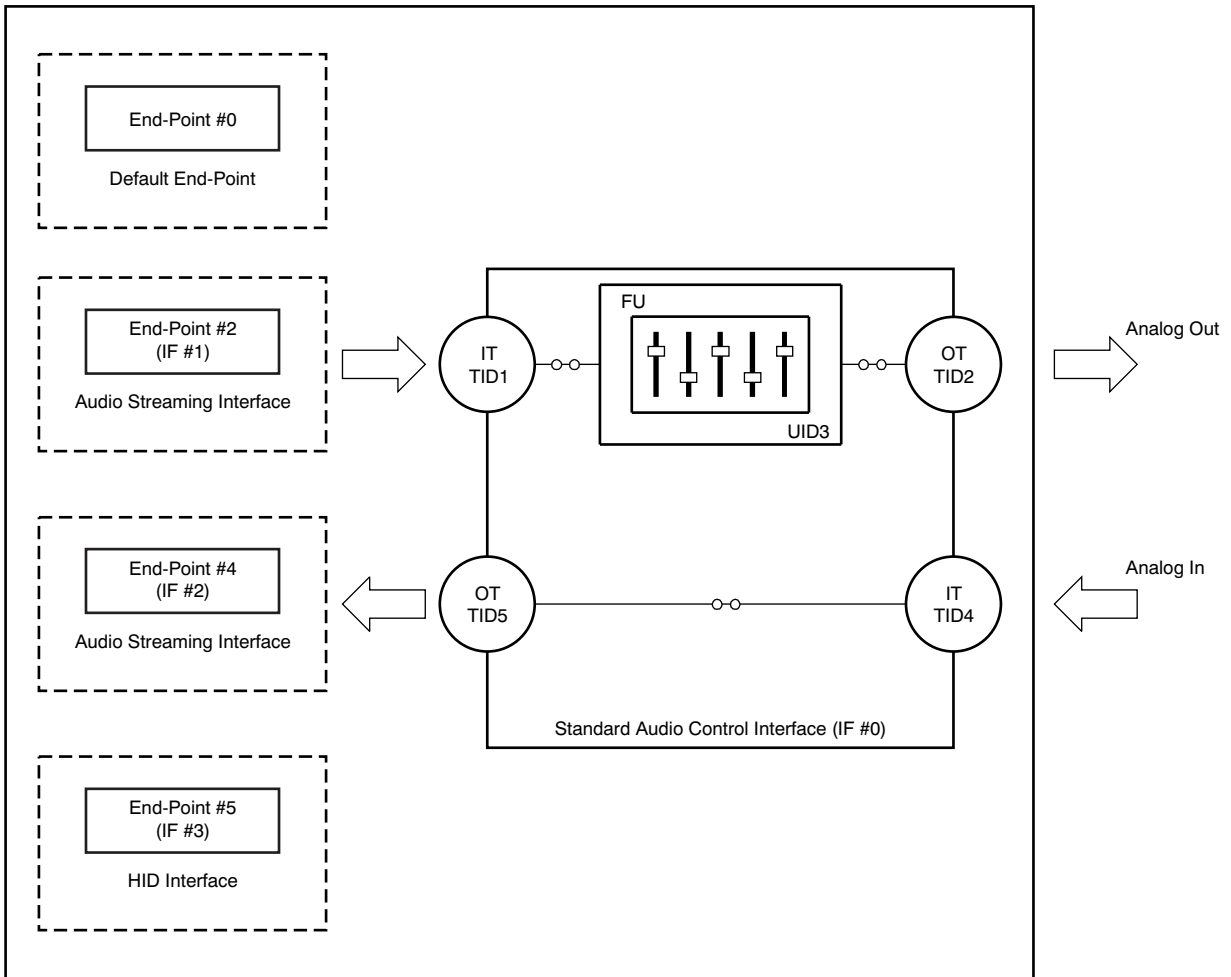


Figure 31. USB Audio Function Topology

## Interface #0

Interface #0 is defined as the control interface. Alternative setting #0 is the only possible setting for interface #0. Alternative setting #0 describes the standard audio control interface. The audio control interface consists of a single terminal. The PCM2900C/2902C has five terminals:

- Input terminal (IT #1) for isochronous-out stream
- Output terminal (OT #2) for audio analog output
- Feature unit (FU #3) for DAC digital attenuator
- Input terminal (IT #4) for audio analog input
- Output terminal (OT #5) for isochronous-in stream

Input terminal #1 is defined as a *USB stream* (terminal type 0x0101). Input terminal #1 can accept two-channel audio streams consisting of left and right channels. Output terminal #2 is defined as a *speaker* (terminal type 0x0301). Input terminal #4 is defined as a *line connector* (terminal type 0x0603). Output terminal #5 is defined as a *USB stream* (terminal type 0x0101). Output terminal #5 can generate two-channel audio streams composed of left and right channel data. Feature unit #3 supports the following sound control features:

- Volume control
- Mute control

The built-in digital volume controller can be manipulated by an audio class specific request from 0 dB to –64 dB in 1-dB steps. Changes are made by incrementing or decrementing by one step (1 dB) for every  $1/f_s$  time interval until the volume level has reached the requested value. Each channel can be set for different values. The master volume control is not supported. A request to the master volume is stalled and ignored. The built-in digital mute controller can be manipulated by an audio class specific request. A master mute control request is acceptable. A request to an individual channel is stalled and ignored.

## Interface #1

Interface #1 is the audio streaming data-out interface. Interface #1 has five alternative settings listed in [Table 6](#). Alternative setting #0 is the zero bandwidth setting. All other alternative settings are operational settings.

**Table 6. Interface #1 Alternative Settings**

ALTERNATIVE SETTING	DATA FORMAT			TRANSFER MODE	SAMPLING RATE (kHz)
00	Zero Bandwidth				
01	16-bit	Stereo	Twos complement (PCM)	Adaptive	32, 44.1, 48
02	16-bit	Mono	Twos complement (PCM)	Adaptive	32, 44.1, 48
03	8-bit	Stereo	Twos complement (PCM)	Adaptive	32, 44.1, 48
04	8-bit	Mono	Twos complement (PCM)	Adaptive	32, 44.1, 48

## Interface #2

Interface #2 is the audio streaming data-in interface. Interface #2 has the 19 alternative settings listed in [Table 7](#). Alternative setting #0 is the zero bandwidth setting. All other alternative settings are operational settings.

**Table 7. Interface #2 Alternative Settings**

ALTERNATIVE SETTING	DATA FORMAT			TRANSFER MODE	SAMPLING RATE (kHz)
00	Zero Bandwidth				
01	16-bit	Stereo	Twos complement (PCM)	Asynchronous	48
02	16-bit	Mono	Twos complement (PCM)	Asynchronous	48
03	16-bit	Stereo	Twos complement (PCM)	Asynchronous	44.1
04	16-bit	Mono	Twos complement (PCM)	Asynchronous	44.1
05	16-bit	Stereo	Twos complement (PCM)	Asynchronous	32
06	16-bit	Mono	Twos complement (PCM)	Asynchronous	32
07	16-bit	Stereo	Twos complement (PCM)	Asynchronous	22.05
08	16-bit	Mono	Twos complement (PCM)	Asynchronous	22.05
09	16-bit	Stereo	Twos complement (PCM)	Asynchronous	16
0A	16-bit	Mono	Twos complement (PCM)	Asynchronous	16
0B	8-bit	Stereo	Twos complement (PCM)	Asynchronous	16
0C	8-bit	Mono	Twos complement (PCM)	Asynchronous	16
0D	8-bit	Stereo	Twos complement (PCM)	Asynchronous	8
0E	8-bit	Mono	Twos complement (PCM)	Asynchronous	8
0F	16-bit	Stereo	Twos complement (PCM)	Synchronous	11.025
10	16-bit	Mono	Twos complement (PCM)	Synchronous	11.025
11	8-bit	Stereo	Twos complement (PCM)	Synchronous	11.025
12	8-bit	Mono	Twos complement (PCM)	Synchronous	11.025

## Interface #3

Interface #3 is the interrupt data-in interface. Alternative setting #0 is the only possible setting for interface #3. Interface #3 consists of the HID consumer control device and reports the status of three key parameters:

- Mute (0xE209)
- Volume up (0xE909)
- Volume down (0xEA09)

## End-Points

The PCM2900C/2902C has the following four end-points:

- Control end-point (EP #0)
- Isochronous-out audio data stream end-point (EP #2)
- Isochronous-in audio data stream end-point (EP #4)
- HID end-point (EP #5)

The control end-point is a default end-point. The control end-point is used to control all functions of the PCM2900C/2902C by a standard USB request and an USB audio class-specific request from the host. The isochronous-out audio data stream end-point is an audio sink end-point, which receives the PCM audio data. The isochronous-out audio data stream end-point accepts the adaptive transfer mode. The isochronous-in audio data stream end-point is an audio source end-point, which transmits the PCM audio data. The isochronous-in audio data stream end-point uses asynchronous transfer mode. The HID end-point is an interrupt-in end-point. HID end-point reports HID0, HID1, and HID2 pin status every 32 ms.

The human interface device (HID) pins are defined as consumer control devices. The HID function is designed as an independent end-point from both isochronous-in and -out end-points. Therefore, the result obtained from the HID operation depends on the host software. Typically, the HID function is used as the primary audio-out device.

## Clock and Reset

The PCM2900C/2902C requires a 12-MHz ( $\pm 500$  ppm) clock for the USB and audio functions, which can be generated by a built-in crystal oscillator with a 12-MHz crystal resonator. The 12-MHz crystal resonator must be connected to XTI (pin 21) and XTO (pin 20) with one high (1-M $\Omega$ ) resistor and two small capacitors, the capacitance of which depends on the load capacitance of the crystal resonator. The external clock can be supplied from XTI (pin 21). If the external clock is supplied, XTO (pin 20) must be left open. Because there is no clock-disabling signal, it is not recommended to use the external clock supply.  $\overline{\text{SSPND}}$  (pin 28) is unable to use clock disabling.

The PCM2900C/2902C has an internal power-on reset circuit, which triggers automatically when  $V_{\text{BUS}}$  (pin 3) exceeds 2.5 V typical (2.7 V to 2.2 V). Approximately 700  $\mu\text{s}$  is required until internal reset release.

## Digital Audio Interface (PCM2902C)

The PCM2902C employs both S/PDIF input and output. Isochronous-out data from the host are encoded to the S/PDIF output and the DAC analog output. Input data are selected as either S/PDIF or ADC analog input. When the device detects an S/PDIF input and successfully locks the received data, the isochronous-in transfer data source is automatically selected from S/PDIF itself; otherwise, the data source is selected to ADC analog input.

This feature is a customer option. It is the responsibility of the user to implement this feature.

## Supported Input/Output Data (PCM2902C)

The following data formats are accepted by the S/PDIF input and output. All other data formats are unable to use S/PDIF.

- 48-kHz 16-bit stereo
- 44.1-kHz 16-bit stereo
- 32-kHz 16-bit stereo

Any mismatch of the sampling rate between the input S/PDIF signal and the host command is not acceptable. Any mismatch of the data format between the input S/PDIF signal and the host command may cause unexpected results, with the following exceptions:

- Recording in monaural format from stereo data input at the same data rate
- Recording in 8-bit format from 16-bit data input at the same data rate

A combination of these two conditions is not acceptable.

For playback, all possible data rate sources are converted to 16-bit stereo format at the same source data rate.

## Channel Status Information (PCM2902C)

The channel status information is fixed as consumer application, PCM mode, copyright, and digital/digital converter. All other bits are fixed as 0s except for the sample frequency, which is set automatically according to the data received through the USB.

## Copyright Management (PCM2902C)

Isochronous-in data are affected by the serial copy management system (SCMS). When receiving digital audio data that are indicated as original data in the control bit, input digital audio data transfer to the host. If the data are indicated as first generation or higher, the transferred data are routed to the analog input.

Digital audio data output is always encoded as original with SCMS control.

## INTERFACE SEQUENCE

### Power On, Attach, and Playback Sequence

The PCM2900C/2902C is ready for setup when the reset sequence has finished and the USB bus is attached. After connection has been established by setup, the PCM2900C/2902C is ready to accept USB audio data. While waiting, the audio data (idle state) and analog output are set to bipolar zero (BPZ).

When receiving the audio data, the PCM2900C/2902C stores the first audio packet, which contains 1-ms audio data, into the internal storage buffer. The PCM2900C/2902C starts to play the audio data when detecting the next start of frame (SOF) packet, as illustrated in Figure 32.

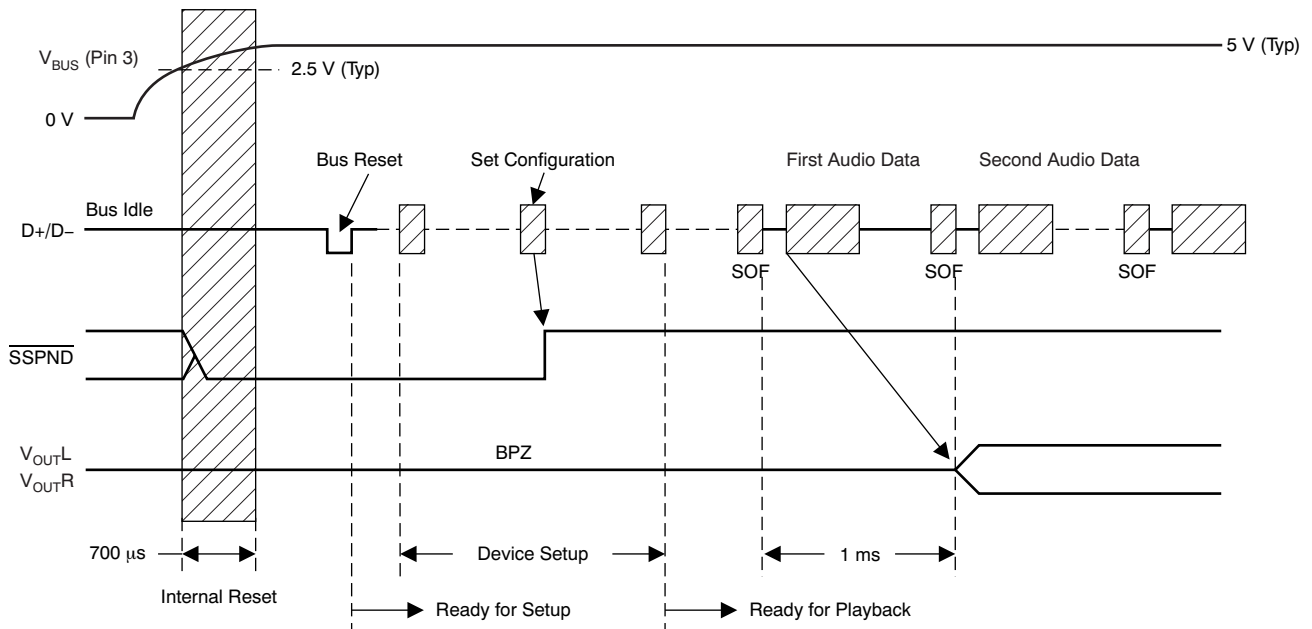


Figure 32. Initial Sequence

### Play, Stop, and Detach Sequence

When the host finishes or aborts playback, the PCM2900C/2902C stops playing after the last audio data have played, as shown in Figure 33.

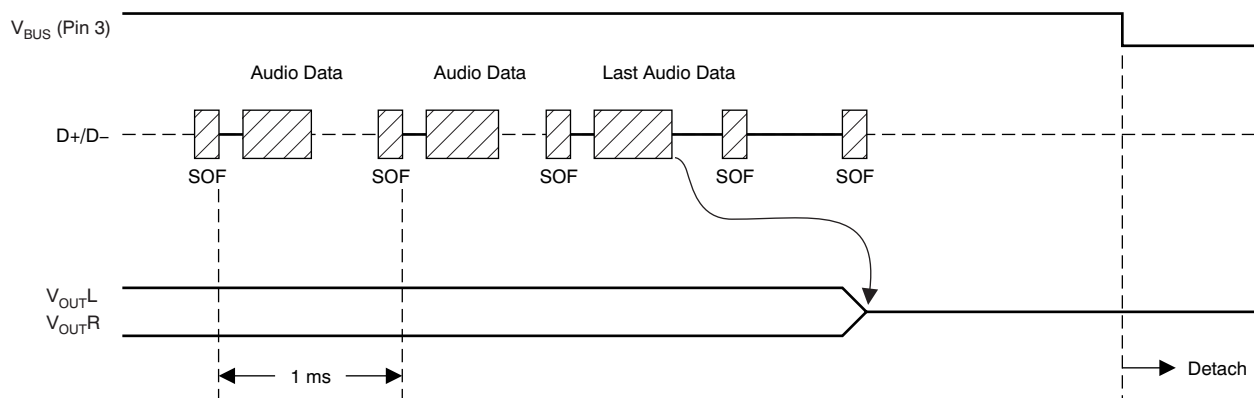


Figure 33. Play, Stop, and Detach Sequence

### Record Sequence

The PCM2900C/2902C starts the audio capture into the internal memory after receiving the SET\_INTERFACE command, as shown in Figure 34.

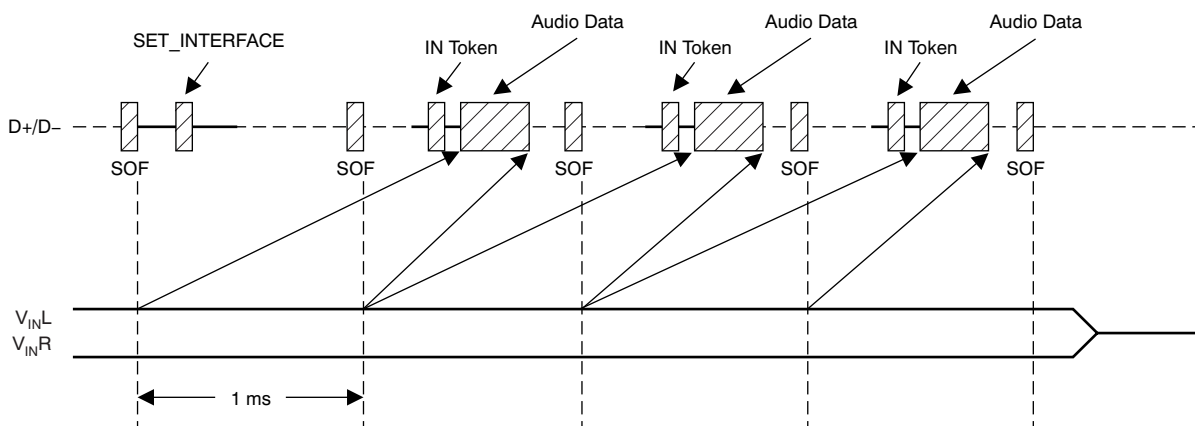


Figure 34. Record Sequence

### Suspend and Resume Sequence

The PCM2900C/2902C enters the suspend state after it sees a constant idle state on the USB bus (approximately 5 ms), as shown in Figure 35. While the PCM2900C/2902C enters the suspend state, SSPND flag (pin 28) is asserted. The PCM2900C/2902C wakes up immediately upon detecting a non-idle state on the USB bus.

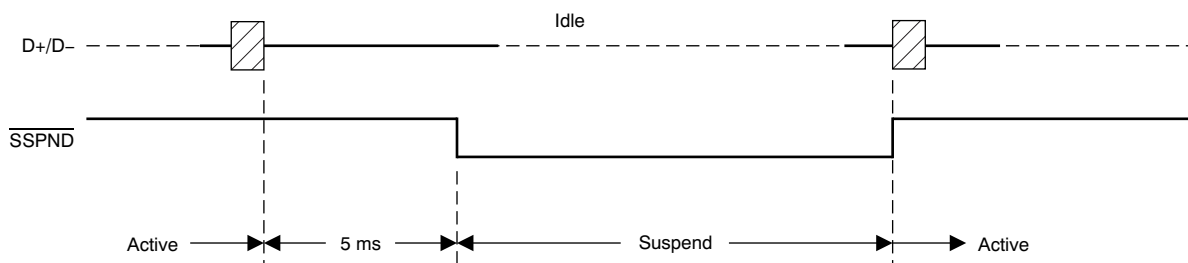
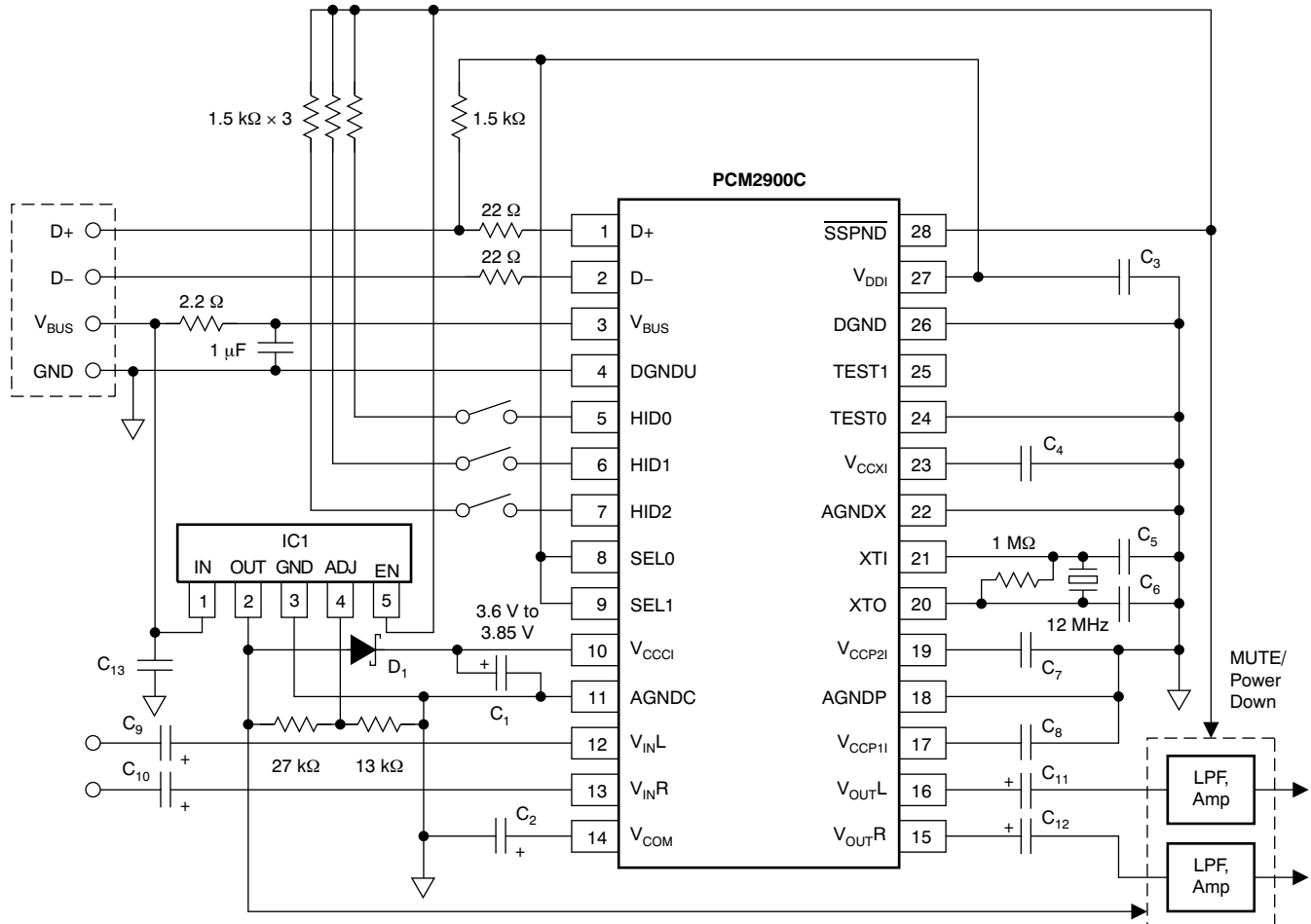


Figure 35. Suspend and Resume Sequence

APPLICATION INFORMATION

PCM2900C TYPICAL CIRCUIT CONNECTION 1

Figure 36 illustrates a typical circuit connection for a high-performance application. The circuit illustrated is for information only. The entire board design should be considered to meet the USB specification as a USB-compliant product.



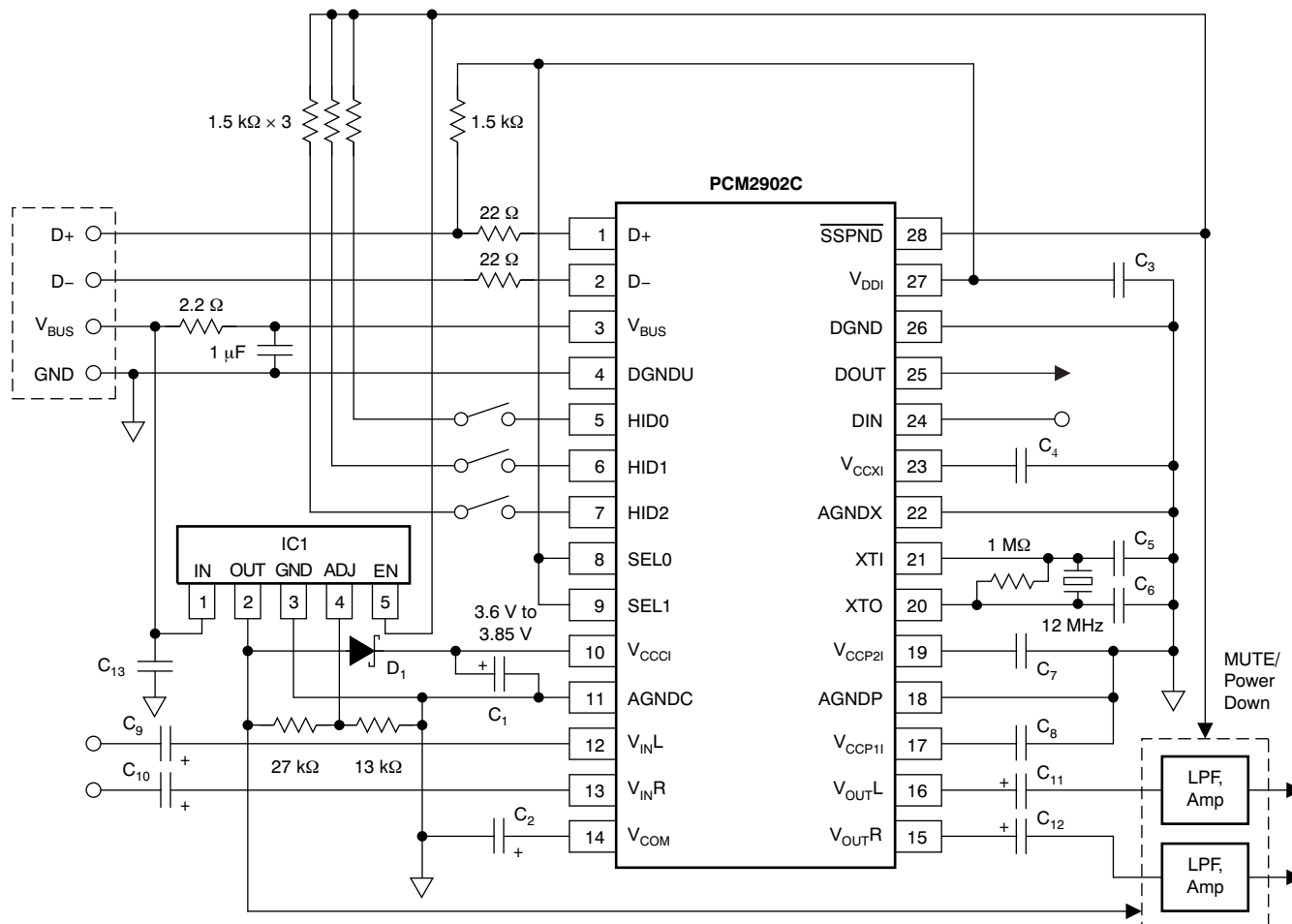
- NOTE: C<sub>1</sub>, C<sub>2</sub>: 10 μF  
 C<sub>3</sub>, C<sub>4</sub>, C<sub>7</sub>, C<sub>8</sub>, C<sub>13</sub>: 1 μF (These capacitors must be less than 2 μF.)  
 C<sub>5</sub>, C<sub>6</sub>: 10 pF to 33 pF (depending on crystal resonator)  
 C<sub>9</sub>, C<sub>10</sub>, C<sub>11</sub>, C<sub>12</sub>: The capacitance may vary depending on design.  
 IC1: REG103xA-A (TI) or equivalent. Analog performance may vary depending on IC1.  
 D<sub>1</sub>: Schottky barrier diode (V<sub>F</sub> ≤ 350 mV at 10 mA, I<sub>R</sub> ≤ 2 μA at 4 V)

Figure 36. Bus-Powered Configuration for High-Performance Application



## PCM2902C TYPICAL CIRCUIT CONNECTION 1

Figure 37 illustrates a typical circuit connection for a high-performance application. The circuit illustrated is for information only. The entire board design should be considered to meet the USB specification as a USB-compliant product.



NOTE: C<sub>1</sub>, C<sub>2</sub>: 10 μF

C<sub>3</sub>, C<sub>4</sub>, C<sub>7</sub>, C<sub>8</sub>, C<sub>13</sub>: 1 μF (These capacitors must be less than 2 μF.)

C<sub>5</sub>, C<sub>6</sub>: 10 pF to 33 pF (depending on crystal resonator)

C<sub>9</sub>, C<sub>10</sub>, C<sub>11</sub>, C<sub>12</sub>: The capacitance may vary depending on design.

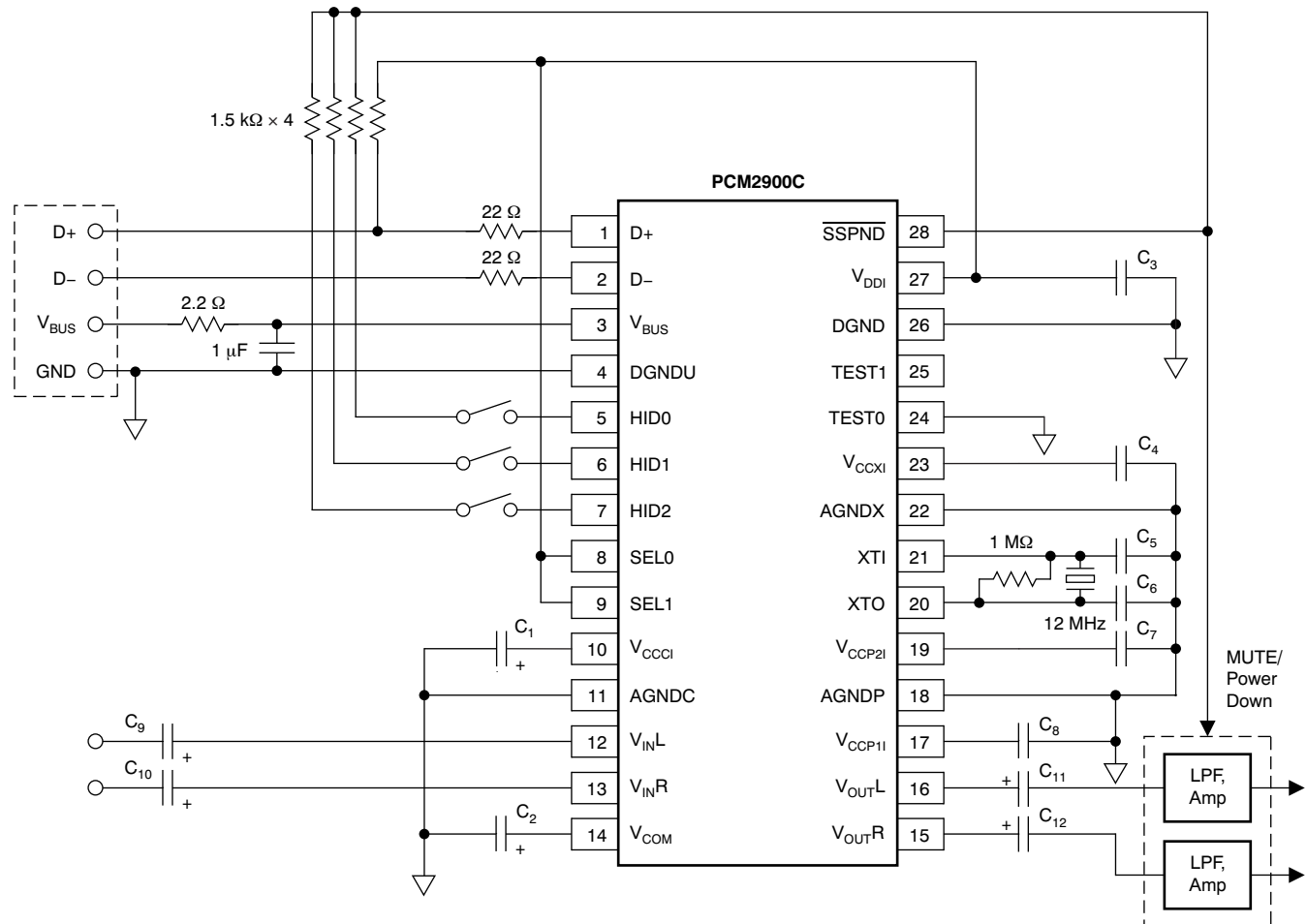
IC1: REG103xA-A (TI) or equivalent. Analog performance may vary depending on IC1.

D<sub>1</sub>: Schottky barrier diode (V<sub>F</sub> ≤ 350 mV at 10 mA, I<sub>R</sub> ≤ 2 μA at 4 V)

Figure 37. Bus-Powered Configuration for High-Performance Application

## PCM2900C TYPICAL CIRCUIT CONNECTION 2

Figure 38 illustrates a typical circuit connection for a simple application. The circuit illustrated is for information only. The entire board design should be considered to meet the USB specification as a USB-compliant product.

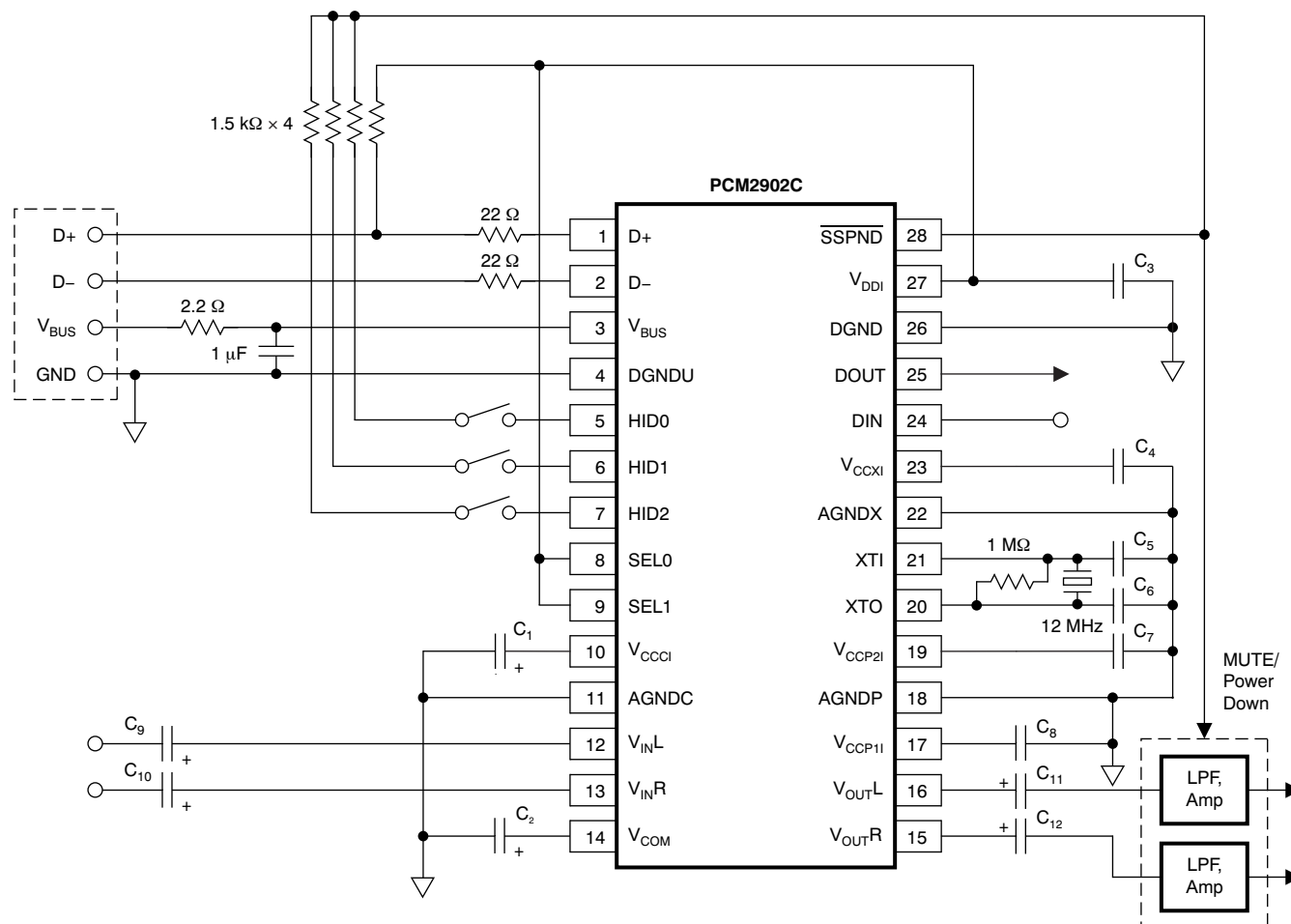


NOTE: C<sub>1</sub>, C<sub>2</sub>: 10 μF  
 C<sub>3</sub>, C<sub>4</sub>, C<sub>7</sub>, C<sub>8</sub>: 1 μF (These capacitors must be less than 2 μF.)  
 C<sub>5</sub>, C<sub>6</sub>: 10 pF to 33 pF (depending on crystal resonator)  
 C<sub>9</sub>, C<sub>10</sub>, C<sub>11</sub>, C<sub>12</sub>: The capacitance may vary depending on design.  
 In this case, the analog performance of the ADC may be degraded.

Figure 38. Bus-Powered Configuration

## PCM2902C TYPICAL CIRCUIT CONNECTION 2

Figure 39 illustrates a typical circuit connection for a simple application. The circuit illustrated is for information only. The entire board design should be considered to meet the USB specification as a USB-compliant product.



NOTE: C<sub>1</sub>, C<sub>2</sub>: 10 μF  
 C<sub>3</sub>, C<sub>4</sub>, C<sub>7</sub>, C<sub>8</sub>: 1 μF (These capacitors must be less than 2 μF.)  
 C<sub>5</sub>, C<sub>6</sub>: 10 pF to 33 pF (depending on crystal resonator)  
 C<sub>9</sub>, C<sub>10</sub>, C<sub>11</sub>, C<sub>12</sub>: The capacitance may vary depending on design.  
 In this case, the analog performance of the ADC may be degraded.

Figure 39. Bus-Powered Configuration

## OPERATING ENVIRONMENT

For current information on the PCM2900C/2902C operating environment, see the application report, *Updated Operating Environments for PCM270X, PCM290X Applications (SLAA374)*, available for download from the [TI website](#).

**PACKAGING INFORMATION**

Orderable Device	Status (1)	Package Type	Package Drawing	Pins	Package Qty	Eco Plan (2)	Lead finish/ Ball material (6)	MSL Peak Temp (3)	Op Temp (°C)	Device Marking (4/5)	Samples
PCM2900CDB	ACTIVE	SSOP	DB	28	50	RoHS & Green	Call TI   NIPDAU	Level-1-260C-UNLIM	-25 to 85	PCM2900C	Samples
PCM2900CDBR	ACTIVE	SSOP	DB	28	2000	RoHS & Green	Call TI   NIPDAU	Level-1-260C-UNLIM	-25 to 85	PCM2900C	Samples
PCM2902CDB	ACTIVE	SSOP	DB	28	50	RoHS & Green	Call TI   NIPDAU	Level-1-260C-UNLIM	-25 to 85	PCM2902C	Samples
PCM2902CDBR	ACTIVE	SSOP	DB	28	2000	RoHS & Green	Call TI   NIPDAU	Level-1-260C-UNLIM	-25 to 85	PCM2902C	Samples

(1) The marketing status values are defined as follows:

**ACTIVE:** Product device recommended for new designs.

**LIFEBUY:** TI has announced that the device will be discontinued, and a lifetime-buy period is in effect.

**NRND:** Not recommended for new designs. Device is in production to support existing customers, but TI does not recommend using this part in a new design.

**PREVIEW:** Device has been announced but is not in production. Samples may or may not be available.

**OBSELETE:** TI has discontinued the production of the device.

(2) **RoHS:** TI defines "RoHS" to mean semiconductor products that are compliant with the current EU RoHS requirements for all 10 RoHS substances, including the requirement that RoHS substance do not exceed 0.1% by weight in homogeneous materials. Where designed to be soldered at high temperatures, "RoHS" products are suitable for use in specified lead-free processes. TI may reference these types of products as "Pb-Free".

**RoHS Exempt:** TI defines "RoHS Exempt" to mean products that contain lead but are compliant with EU RoHS pursuant to a specific EU RoHS exemption.

**Green:** TI defines "Green" to mean the content of Chlorine (Cl) and Bromine (Br) based flame retardants meet JS709B low halogen requirements of <=1000ppm threshold. Antimony trioxide based flame retardants must also meet the <=1000ppm threshold requirement.

(3) MSL, Peak Temp. - The Moisture Sensitivity Level rating according to the JEDEC industry standard classifications, and peak solder temperature.

(4) There may be additional marking, which relates to the logo, the lot trace code information, or the environmental category on the device.

(5) Multiple Device Markings will be inside parentheses. Only one Device Marking contained in parentheses and separated by a "-" will appear on a device. If a line is indented then it is a continuation of the previous line and the two combined represent the entire Device Marking for that device.

(6) Lead finish/Ball material - Orderable Devices may have multiple material finish options. Finish options are separated by a vertical ruled line. Lead finish/Ball material values may wrap to two lines if the finish value exceeds the maximum column width.

**Important Information and Disclaimer:**The information provided on this page represents TI's knowledge and belief as of the date that it is provided. TI bases its knowledge and belief on information provided by third parties, and makes no representation or warranty as to the accuracy of such information. Efforts are underway to better integrate information from third parties. TI has taken and

continues to take reasonable steps to provide representative and accurate information but may not have conducted destructive testing or chemical analysis on incoming materials and chemicals. TI and TI suppliers consider certain information to be proprietary, and thus CAS numbers and other limited information may not be available for release.

In no event shall TI's liability arising out of such information exceed the total purchase price of the TI part(s) at issue in this document sold by TI to Customer on an annual basis.

**TAPE AND REEL INFORMATION**

**QUADRANT ASSIGNMENTS FOR PIN 1 ORIENTATION IN TAPE**


\*All dimensions are nominal

Device	Package Type	Package Drawing	Pins	SPQ	Reel Diameter (mm)	Reel Width W1 (mm)	A0 (mm)	B0 (mm)	K0 (mm)	P1 (mm)	W (mm)	Pin1 Quadrant
PCM2900CDBR	SSOP	DB	28	2000	330.0	16.4	8.2	10.5	2.5	12.0	16.0	Q1
PCM2902CDBR	SSOP	DB	28	2000	330.0	16.4	8.2	10.5	2.5	12.0	16.0	Q1

**TAPE AND REEL BOX DIMENSIONS**


\*All dimensions are nominal

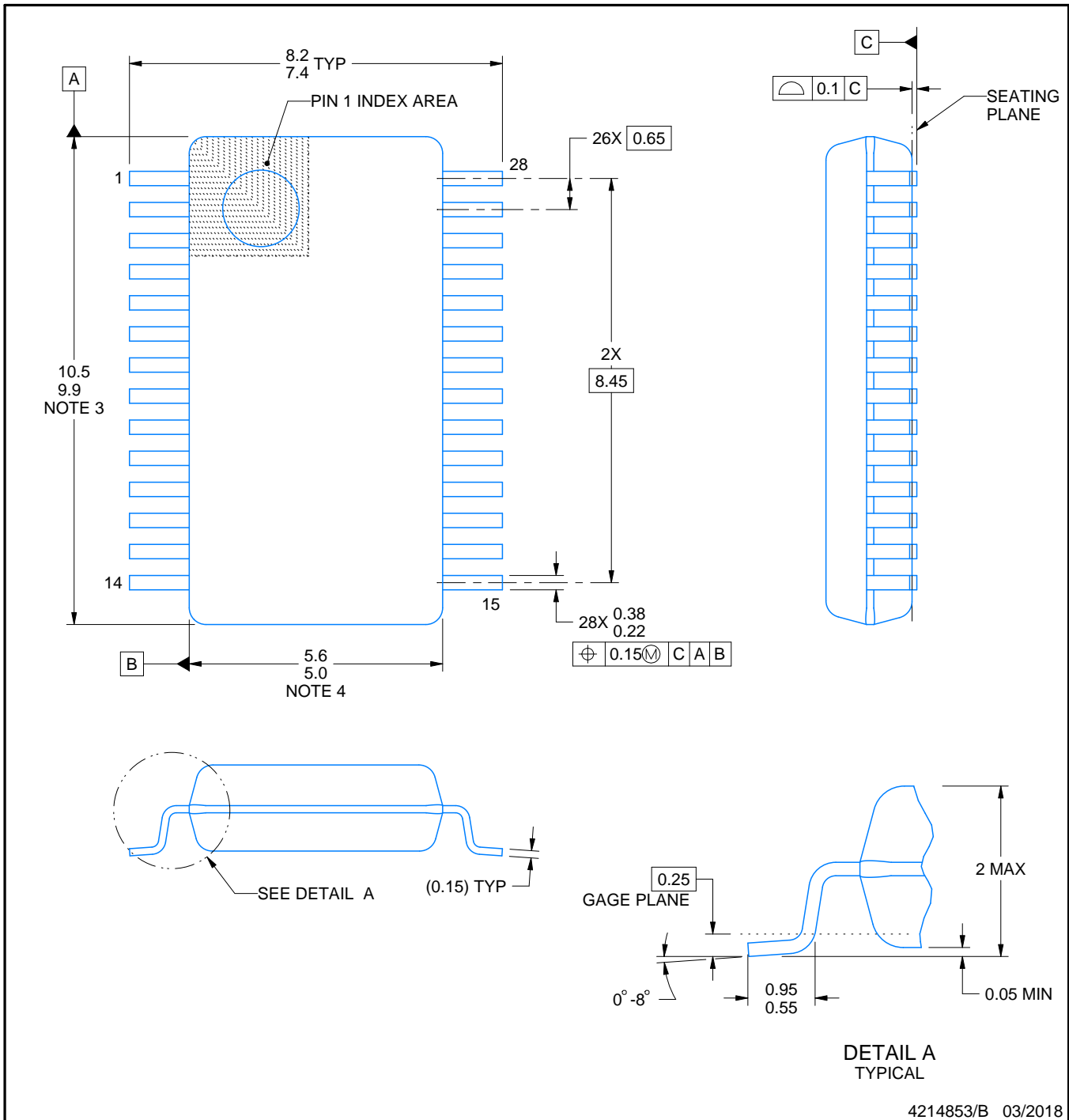
Device	Package Type	Package Drawing	Pins	SPQ	Length (mm)	Width (mm)	Height (mm)
PCM2900CDBR	SSOP	DB	28	2000	356.0	356.0	35.0
PCM2902CDBR	SSOP	DB	28	2000	356.0	356.0	35.0

**TUBE**


\*All dimensions are nominal

Device	Package Name	Package Type	Pins	SPQ	L (mm)	W (mm)	T (μm)	B (mm)
PCM2900CDB	DB	SSOP	28	50	530	10.5	4000	4.1
PCM2900CDB	DB	SSOP	28	50	530	10.5	4000	4.1
PCM2902CDB	DB	SSOP	28	50	530	10.5	4000	4.1
PCM2902CDB	DB	SSOP	28	50	530	10.5	4000	4.1





4214853/B 03/2018

NOTES:

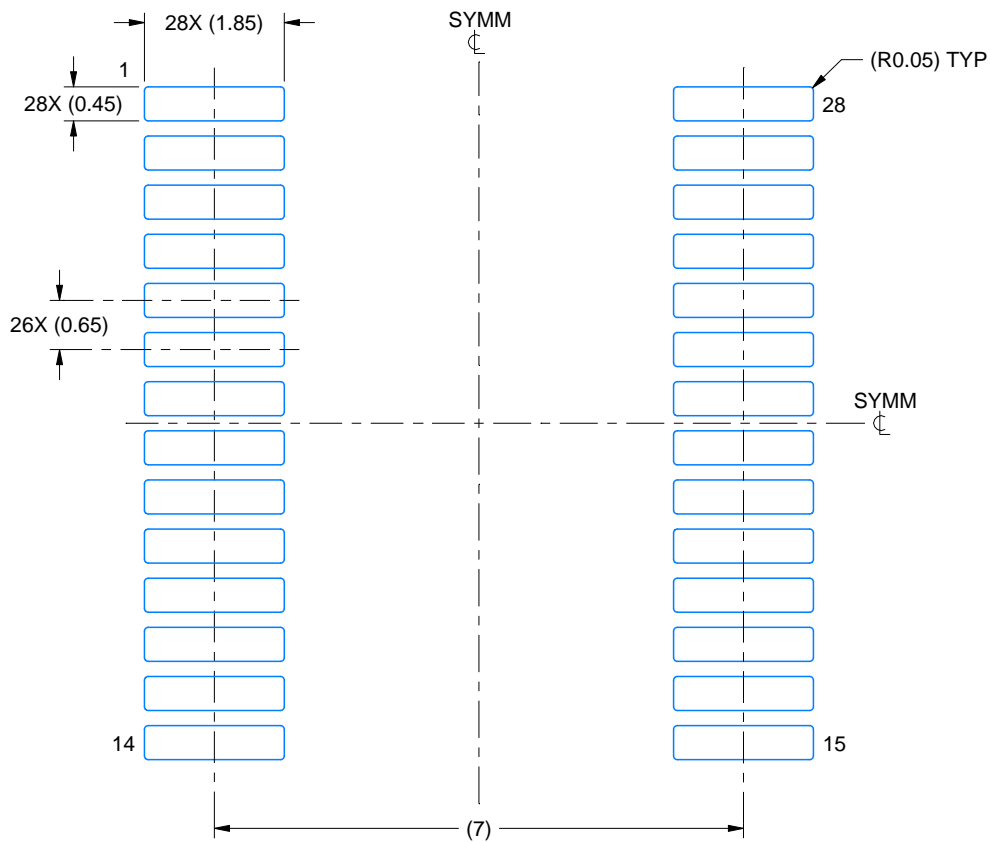
1. All linear dimensions are in millimeters. Any dimensions in parenthesis are for reference only. Dimensioning and tolerancing per ASME Y14.5M.
2. This drawing is subject to change without notice.
3. This dimension does not include mold flash, protrusions, or gate burrs. Mold flash, protrusions, or gate burrs shall not exceed 0.15 mm per side.
4. This dimension does not include interlead flash. Interlead flash shall not exceed 0.25 mm per side.
5. Reference JEDEC registration MO-150.

# EXAMPLE BOARD LAYOUT

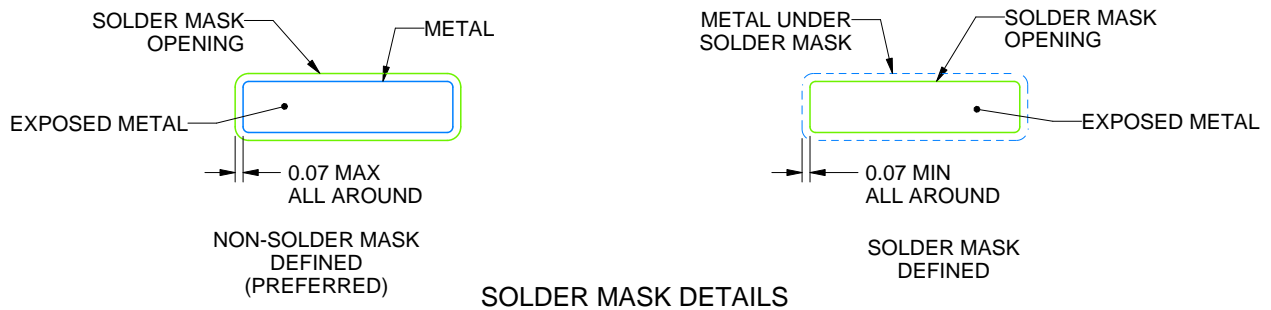
DB0028A

SSOP - 2 mm max height

SMALL OUTLINE PACKAGE



LAND PATTERN EXAMPLE  
EXPOSED METAL SHOWN  
SCALE: 10X



4214853/B 03/2018

NOTES: (continued)

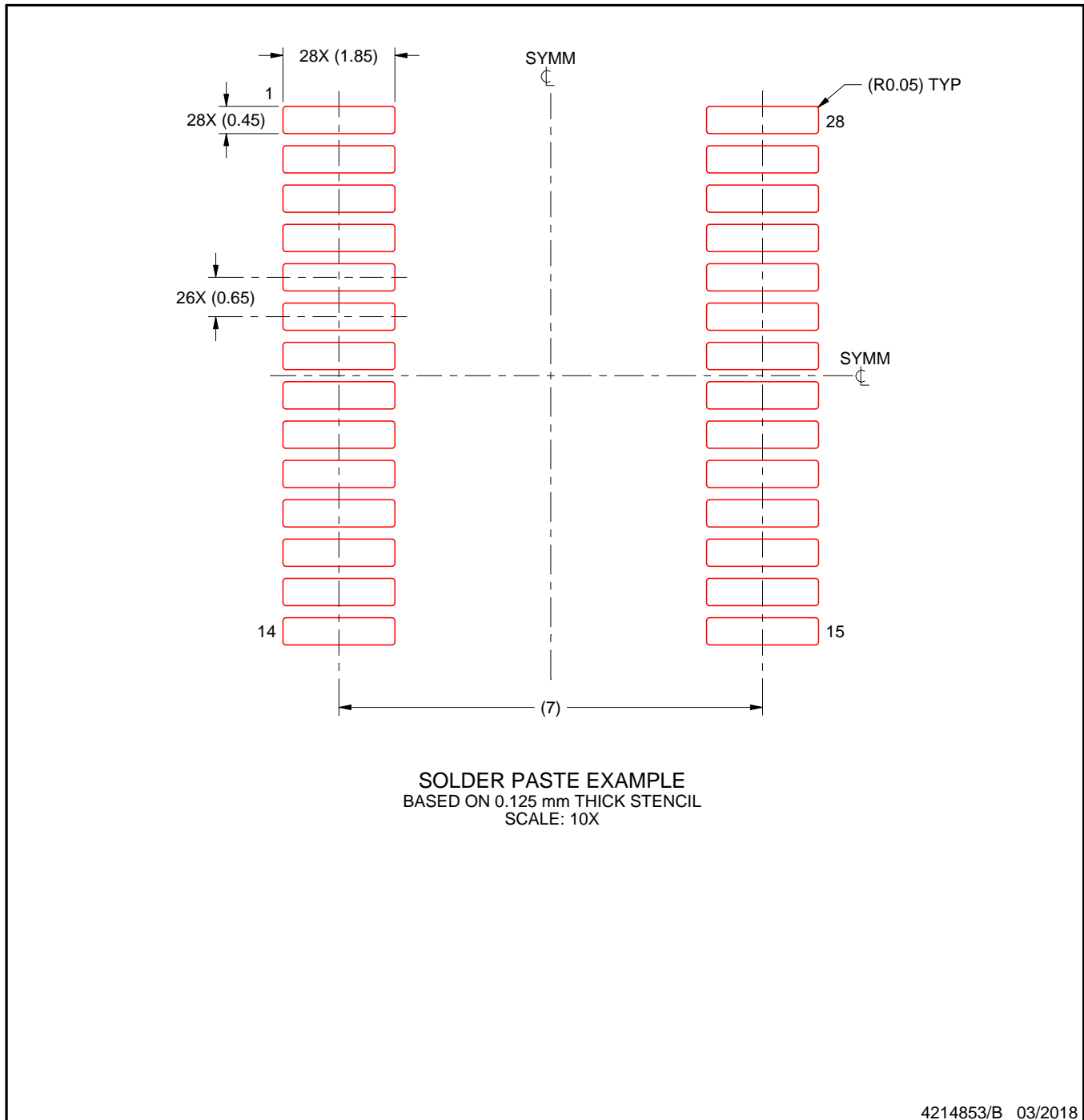
- 6. Publication IPC-7351 may have alternate designs.
- 7. Solder mask tolerances between and around signal pads can vary based on board fabrication site.

# EXAMPLE STENCIL DESIGN

DB0028A

SSOP - 2 mm max height

SMALL OUTLINE PACKAGE



NOTES: (continued)

8. Laser cutting apertures with trapezoidal walls and rounded corners may offer better paste release. IPC-7525 may have alternate design recommendations.
9. Board assembly site may have different recommendations for stencil design.

## IMPORTANT NOTICE AND DISCLAIMER

TI PROVIDES TECHNICAL AND RELIABILITY DATA (INCLUDING DATA SHEETS), DESIGN RESOURCES (INCLUDING REFERENCE DESIGNS), APPLICATION OR OTHER DESIGN ADVICE, WEB TOOLS, SAFETY INFORMATION, AND OTHER RESOURCES "AS IS" AND WITH ALL FAULTS, AND DISCLAIMS ALL WARRANTIES, EXPRESS AND IMPLIED, INCLUDING WITHOUT LIMITATION ANY IMPLIED WARRANTIES OF MERCHANTABILITY, FITNESS FOR A PARTICULAR PURPOSE OR NON-INFRINGEMENT OF THIRD PARTY INTELLECTUAL PROPERTY RIGHTS.

These resources are intended for skilled developers designing with TI products. You are solely responsible for (1) selecting the appropriate TI products for your application, (2) designing, validating and testing your application, and (3) ensuring your application meets applicable standards, and any other safety, security, regulatory or other requirements.

These resources are subject to change without notice. TI grants you permission to use these resources only for development of an application that uses the TI products described in the resource. Other reproduction and display of these resources is prohibited. No license is granted to any other TI intellectual property right or to any third party intellectual property right. TI disclaims responsibility for, and you will fully indemnify TI and its representatives against, any claims, damages, costs, losses, and liabilities arising out of your use of these resources.

TI's products are provided subject to [TI's Terms of Sale](#) or other applicable terms available either on [ti.com](https://www.ti.com) or provided in conjunction with such TI products. TI's provision of these resources does not expand or otherwise alter TI's applicable warranties or warranty disclaimers for TI products.

TI objects to and rejects any additional or different terms you may have proposed.

Mailing Address: Texas Instruments, Post Office Box 655303, Dallas, Texas 75265  
Copyright © 2025, Texas Instruments Incorporated