

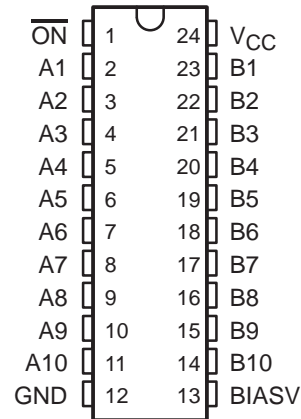
# SN74CBTK6800

## 10-BIT FET BUS SWITCH WITH PRECHARGED OUTPUTS AND ACTIVE-CLAMP UNDERSHOOT-PROTECTION CIRCUIT

SCDS107B – APRIL 2000 – REVISED OCTOBER 2000

- **5-Ω Switch Connection Between Two Ports**
- **TTL-Compatible Input Levels**
- **Power Off Disables Outputs, Permitting Live Insertion**
- **Outputs Are Precharged by Bias Voltage to Minimize Signal Distortion During Live Insertion**
- **Active-Clamp Undershoot-Protection Circuit on the I/Os Clamps Undershoots Down to -2 V**
- **Latch-Up Performance Exceeds 100 mA Per JESD 78, Class II**
- **ESD Protection Exceeds JESD 22**
  - 2000-V Human-Body Model (A114-A)
  - 200-V Machine Model (A115-A)
  - 1000-V Charged-Device Model (C101)

DBQ, DGV, DW, OR PW PACKAGE  
(TOP VIEW)



### description

The SN74CBTK6800 device provides ten bits of high-speed TTL-compatible bus switching. The low on-state resistance of the switch allows bidirectional connections to be made while adding near-zero propagation delay. The device also precharges the B port to a user-selectable bias voltage (BIASV) to minimize live-insertion noise.

The A and B ports have an active-clamp undershoot-protection circuit. When there is an undershoot, the active-clamp circuit is enabled and current from V<sub>CC</sub> is supplied to clamp the output, preventing the pass transistor from turning on.

The SN74CBTK6800 is organized as one 10-bit switch with a single enable ( $\overline{ON}$ ) input. When  $\overline{ON}$  is low, the switch is on, and port A is connected to port B. When  $\overline{ON}$  is high, the switch between port A and port B is open. When  $\overline{ON}$  is high or V<sub>CC</sub> is 0 V, B port is precharged to BIASV through the equivalent of a 10-kΩ resistor.

### ORDERING INFORMATION

T <sub>A</sub>	PACKAGE†		ORDERABLE PART NUMBER	TOP-SIDE MARKING
-40°C to 85°C	SOIC – DW	Tube	SN74CBTK6800DW	CBTK6800
		Tape and reel	SN74CBTK6800DWR	
	SSOP (QSOP) – DBQ	Tape and reel	SN74CBTK6800DBQR	CBTK6800
	TSSOP – PW	Tape and reel	SN74CBTK6800PWR	BK6800
	TVSOP – DGV	Tape and reel	SN74CBTK6800DGVR	BK6800

† Package drawings, standard packing quantities, thermal data, symbolization, and PCB design guidelines are available at [www.ti.com/sc/package](http://www.ti.com/sc/package).

### FUNCTION TABLE

INPUT $\overline{ON}$	FUNCTION
L	A port = B port
H	A port = Z B port = BIASV



Please be aware that an important notice concerning availability, standard warranty, and use in critical applications of Texas Instruments semiconductor products and disclaimers thereto appears at the end of this data sheet.

PRODUCTION DATA information is current as of publication date. Products conform to specifications per the terms of Texas Instruments standard warranty. Production processing does not necessarily include testing of all parameters.

**TEXAS  
INSTRUMENTS**

POST OFFICE BOX 655303 • DALLAS, TEXAS 75265

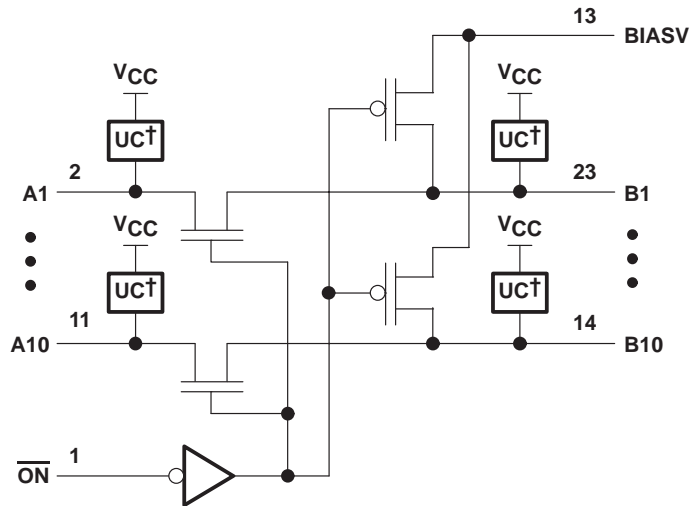
Copyright © 2000, Texas Instruments Incorporated

# SN74CBTK6800

## 10-BIT FET BUS SWITCH WITH PRECHARGED OUTPUTS AND ACTIVE-CLAMP UNDERSHOOT-PROTECTION CIRCUIT

SCDS107B – APRIL 2000 – REVISED OCTOBER 2000

### logic diagram (positive logic)



† Undershoot clamp

### absolute maximum ratings over operating free-air temperature range (unless otherwise noted)‡

Supply voltage range, $V_{CC}$	.....	-0.5 V to 7 V
Bias voltage range, BIASV	.....	-0.5 V to 7 V
Input voltage range, $V_I$ (see Note 1)	.....	-0.5 V to 7 V
Continuous channel current	.....	128 mA
Input clamp current, $I_{IK}$ ( $V_I < 0$ )	.....	-50 mA
Package thermal impedance, $\theta_{JA}$ (see Note 2):		
DBQ package	.....	61°C/W
DGV package	.....	86°C/W
DW package	.....	46°C/W
PW package	.....	88°C/W
Storage temperature range, $T_{stg}$	.....	-65°C to 150°C

‡ Stresses beyond those listed under “absolute maximum ratings” may cause permanent damage to the device. These are stress ratings only, and functional operation of the device at these or any other conditions beyond those indicated under “recommended operating conditions” is not implied. Exposure to absolute-maximum-rated conditions for extended periods may affect device reliability.

NOTES: 1. The input and output negative-voltage ratings may be exceeded if the input and output clamp-current ratings are observed.  
2. The package thermal impedance is calculated in accordance with JESD 51-7.

### recommended operating conditions (see Note 3)

		MIN	MAX	UNIT
$V_{CC}$	Supply voltage	4	5.5	V
BIASV	Supply voltage	1.3	$V_{CC}$	V
$V_{IH}$	High-level control input voltage	2		V
$V_{IL}$	Low-level control input voltage		0.8	V
$T_A$	Operating free-air temperature	-40	85	°C

NOTE 3: All unused control inputs of the device must be held at  $V_{CC}$  or GND to ensure proper device operation. Refer to the TI application report, *Implications of Slow or Floating CMOS Inputs*, literature number SCBA004.



POST OFFICE BOX 655303 • DALLAS, TEXAS 75265

**SN74CBTK6800**  
**10-BIT FET BUS SWITCH WITH PRECHARGED OUTPUTS**  
**AND ACTIVE-CLAMP UNDERSHOOT-PROTECTION CIRCUIT**

SCDS107B – APRIL 2000 – REVISED OCTOBER 2000

**electrical characteristics over recommended operating free-air temperature range (unless otherwise noted)**

PARAMETER		TEST CONDITIONS		MIN	TYP†	MAX	UNIT	
$V_{IK}$		$V_{CC} = 4.5\text{ V}$ ,	$I_I = -18\text{ mA}$			-1.2	V	
$V_{IKU}$		$V_{CC} = 5.5\text{ V}$ ,	$0\text{ mA} \geq I_I \geq -50\text{ mA}$ , $\overline{OE} = 5.5\text{ V}$			-2	V	
$I_I$		$V_{CC} = 5.5\text{ V}$ ,	$V_I = 5.5\text{ V}$ or GND			$\pm 5$	$\mu\text{A}$	
$I_{off}$		$V_{CC} = 0$ ,	$V_I$ or $V_O = 0$ to $5.5\text{ V}$ , $BIASV = \text{Open}$			20	$\mu\text{A}$	
$I_O$		$V_{CC} = 4.5\text{ V}$ ,	$V_O = 0$ , $BIASV = 2.4\text{ V}$	0.25			mA	
$I_{CC}$		$V_{CC} = 5.5\text{ V}$ ,	$V_I = V_{CC}$ or GND, $I_O = 0$			20	$\mu\text{A}$	
$\Delta I_{CC}^\ddagger$	Control inputs	$V_{CC} = 5.5\text{ V}$ ,	One input at $3.4\text{ V}$ , Other inputs at $V_{CC}$ or GND			2.5	mA	
$C_i$	Control inputs	$V_I = 3\text{ V}$ or 0			3		pF	
$C_{O(OFF)}$		$V_O = 3\text{ V}$ or 0,	Switch off		8.5		pF	
$r_{on}^\S$		$V_{CC} = 4\text{ V}$ , TYP at $V_{CC} = 4\text{ V}$	$V_I = 2.4\text{ V}$ , $I_I = 15\text{ mA}$		11	20	$\Omega$	
		$V_{CC} = 4.5\text{ V}$	$V_I = 0$	$I_I = 64\text{ mA}$		3		7
				$I_I = 30\text{ mA}$		3		7
			$V_I = 2.4\text{ V}$ , $I_I = 15\text{ mA}$		6	15		

† All typical values are at  $V_{CC} = 5\text{ V}$  (unless otherwise noted),  $T_A = 25^\circ\text{C}$ .

‡ This is the increase in supply current for each input that is at the specified TTL-voltage level rather than  $V_{CC}$  or GND.

§ Measured by the voltage drop between the A and B terminals at the indicated current through the switch. On-state resistance is determined by the lower of the voltages of the two (A or B) terminals.

**switching characteristics over recommended operating free-air temperature range (unless otherwise noted) (see Figure 3)**

PARAMETER	FROM (INPUT)	TO (OUTPUT)	TEST CONDITIONS	$V_{CC} = 4\text{ V}$		$V_{CC} = 5\text{ V} \pm 0.5\text{ V}$		UNIT
				MIN	MAX	MIN	MAX	
$t_{pd}^\parallel$	A or B	B or A			0.35		0.25	ns
$t_{PZH}$	$\overline{ON}$	A or B	$BIASV = \text{GND}$		6	2	5.1	ns
$t_{PZL}$			$BIASV = 3\text{ V}$		6	2	5.6	
$t_{PHZ}$	$\overline{ON}$	A or B	$BIASV = \text{GND}$		5.5	1	5	ns
$t_{PLZ}$			$BIASV = 3\text{ V}$		5.5	2	5.9	

¶ The propagation delay is the calculated RC time constant of the typical on-state resistance of the switch and the specified load capacitance, when driven by an ideal voltage source (zero output impedance).

# SN74CBTK6800

## 10-BIT FET BUS SWITCH WITH PRECHARGED OUTPUTS AND ACTIVE-CLAMP UNDERSHOOT-PROTECTION CIRCUIT

SCDS107B – APRIL 2000 – REVISED OCTOBER 2000

### undershoot characteristics

PARAMETER	TEST CONDITIONS	MIN	TYP†	MAX	UNIT
V <sub>OUTU</sub>	See Figures 1 and 2, and Table 1	2	V <sub>OH</sub> -0.3		V

† All typical values are at V<sub>CC</sub> = 5 V (unless otherwise noted), T<sub>A</sub> = 25°C.

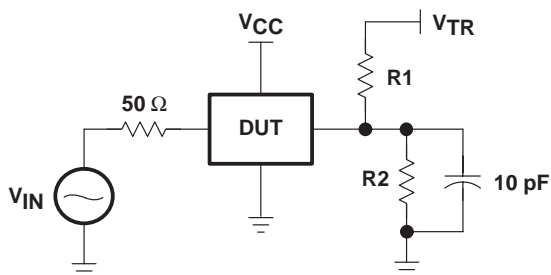


Figure 1. Device Test Setup

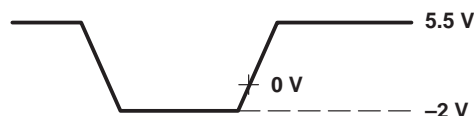


Figure 2. Transient Input Voltage Waveform

Table 1. Device Test Conditions

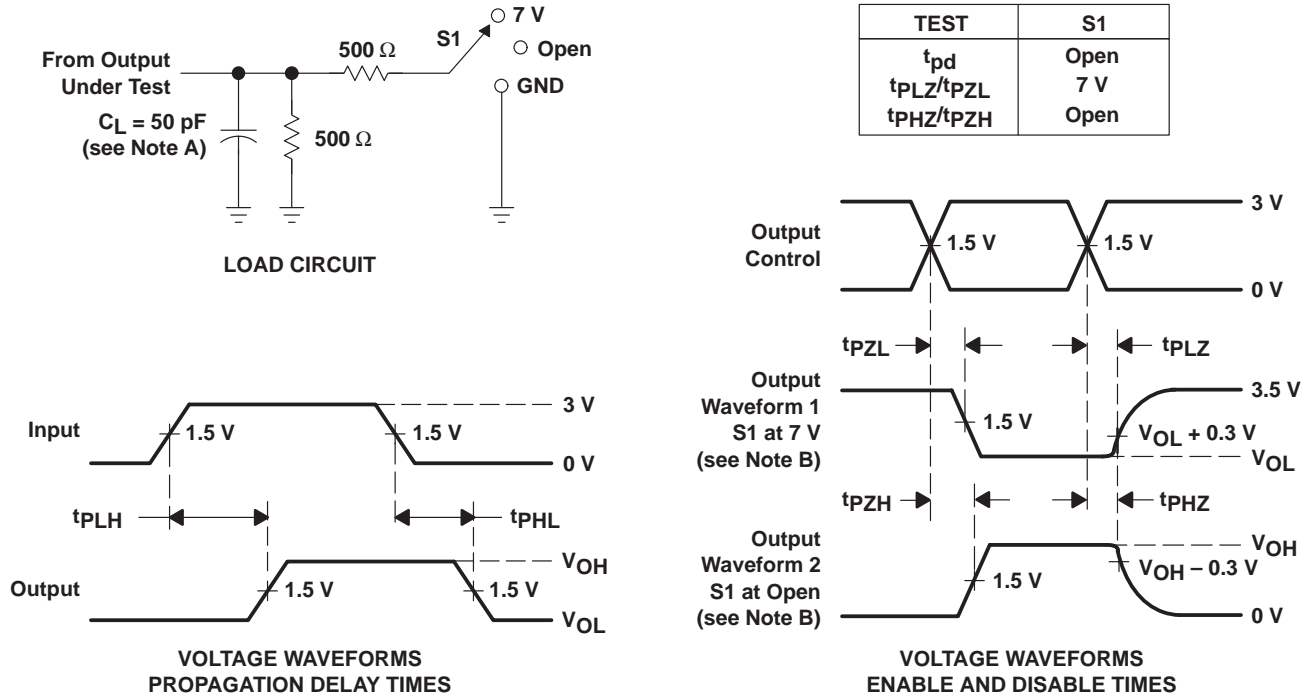
PARAMETER	VALUE	UNIT
B port under test‡	See Figure 1	
V <sub>IN</sub>	See Figure 2	V
t <sub>w</sub>	20	ns
t <sub>r</sub>	2	ns
t <sub>f</sub>	2	ns
R1 = R2	100	kΩ
V <sub>TR</sub>	11	V
V <sub>CC</sub>	5.5	V
BIASV	Open	

‡ Other B-port outputs are open.

**SN74CBTK6800**  
**10-BIT FET BUS SWITCH WITH PRECHARGED OUTPUTS**  
**AND ACTIVE-CLAMP UNDERSHOOT-PROTECTION CIRCUIT**

SCDS107B – APRIL 2000 – REVISED OCTOBER 2000

**PARAMETER MEASUREMENT INFORMATION**



- NOTES: A.  $C_L$  includes probe and jig capacitance.  
 B. Waveform 1 is for an output with internal conditions such that the output is low except when disabled by the output control. Waveform 2 is for an output with internal conditions such that the output is high except when disabled by the output control.  
 C. All input pulses are supplied by generators having the following characteristics:  $PRR \leq 10 \text{ MHz}$ ,  $Z_O = 50 \Omega$ ,  $t_r \leq 2.5 \text{ ns}$ ,  $t_f \leq 2.5 \text{ ns}$ .  
 D. The outputs are measured one at a time with one transition per measurement.  
 E.  $t_{PLZ}$  and  $t_{PHZ}$  are the same as  $t_{dis}$ .  
 F.  $t_{PZL}$  and  $t_{PZH}$  are the same as  $t_{en}$ .  
 G.  $t_{PLH}$  and  $t_{PHL}$  are the same as  $t_{pd}$ .

**Figure 3. Load Circuit and Voltage Waveforms**

**PACKAGING INFORMATION**

Orderable Device	Status (1)	Package Type	Package Drawing	Pins	Package Qty	Eco Plan (2)	Lead finish/ Ball material (6)	MSL Peak Temp (3)	Op Temp (°C)	Device Marking (4/5)	Samples
SN74CBTK6800DBQR	ACTIVE	SSOP	DBQ	24	2500	RoHS & Green	NIPDAU	Level-2-260C-1 YEAR	-40 to 85	CBTK6800	<a href="#">Samples</a>
SN74CBTK6800PWR	ACTIVE	TSSOP	PW	24	2000	RoHS & Green	NIPDAU	Level-1-260C-UNLIM	-40 to 85	BK6800	<a href="#">Samples</a>

(1) The marketing status values are defined as follows:

**ACTIVE:** Product device recommended for new designs.

**LIFEBUY:** TI has announced that the device will be discontinued, and a lifetime-buy period is in effect.

**NRND:** Not recommended for new designs. Device is in production to support existing customers, but TI does not recommend using this part in a new design.

**PREVIEW:** Device has been announced but is not in production. Samples may or may not be available.

**OBSOLETE:** TI has discontinued the production of the device.

(2) **RoHS:** TI defines "RoHS" to mean semiconductor products that are compliant with the current EU RoHS requirements for all 10 RoHS substances, including the requirement that RoHS substance do not exceed 0.1% by weight in homogeneous materials. Where designed to be soldered at high temperatures, "RoHS" products are suitable for use in specified lead-free processes. TI may reference these types of products as "Pb-Free".

**RoHS Exempt:** TI defines "RoHS Exempt" to mean products that contain lead but are compliant with EU RoHS pursuant to a specific EU RoHS exemption.

**Green:** TI defines "Green" to mean the content of Chlorine (Cl) and Bromine (Br) based flame retardants meet JS709B low halogen requirements of <=1000ppm threshold. Antimony trioxide based flame retardants must also meet the <=1000ppm threshold requirement.

(3) MSL, Peak Temp. - The Moisture Sensitivity Level rating according to the JEDEC industry standard classifications, and peak solder temperature.

(4) There may be additional marking, which relates to the logo, the lot trace code information, or the environmental category on the device.

(5) Multiple Device Markings will be inside parentheses. Only one Device Marking contained in parentheses and separated by a "~" will appear on a device. If a line is indented then it is a continuation of the previous line and the two combined represent the entire Device Marking for that device.

(6) Lead finish/Ball material - Orderable Devices may have multiple material finish options. Finish options are separated by a vertical ruled line. Lead finish/Ball material values may wrap to two lines if the finish value exceeds the maximum column width.

**Important Information and Disclaimer:**The information provided on this page represents TI's knowledge and belief as of the date that it is provided. TI bases its knowledge and belief on information provided by third parties, and makes no representation or warranty as to the accuracy of such information. Efforts are underway to better integrate information from third parties. TI has taken and continues to take reasonable steps to provide representative and accurate information but may not have conducted destructive testing or chemical analysis on incoming materials and chemicals. TI and TI suppliers consider certain information to be proprietary, and thus CAS numbers and other limited information may not be available for release.

In no event shall TI's liability arising out of such information exceed the total purchase price of the TI part(s) at issue in this document sold by TI to Customer on an annual basis.



## TAPE AND REEL INFORMATION



### QUADRANT ASSIGNMENTS FOR PIN 1 ORIENTATION IN TAPE



\*All dimensions are nominal

Device	Package Type	Package Drawing	Pins	SPQ	Reel Diameter (mm)	Reel Width W1 (mm)	A0 (mm)	B0 (mm)	K0 (mm)	P1 (mm)	W (mm)	Pin1 Quadrant
SN74CBTK6800DBQR	SSOP	DBQ	24	2500	330.0	16.4	6.5	9.0	2.1	8.0	16.0	Q1
SN74CBTK6800PWR	TSSOP	PW	24	2000	330.0	16.4	6.95	8.3	1.6	8.0	16.0	Q1



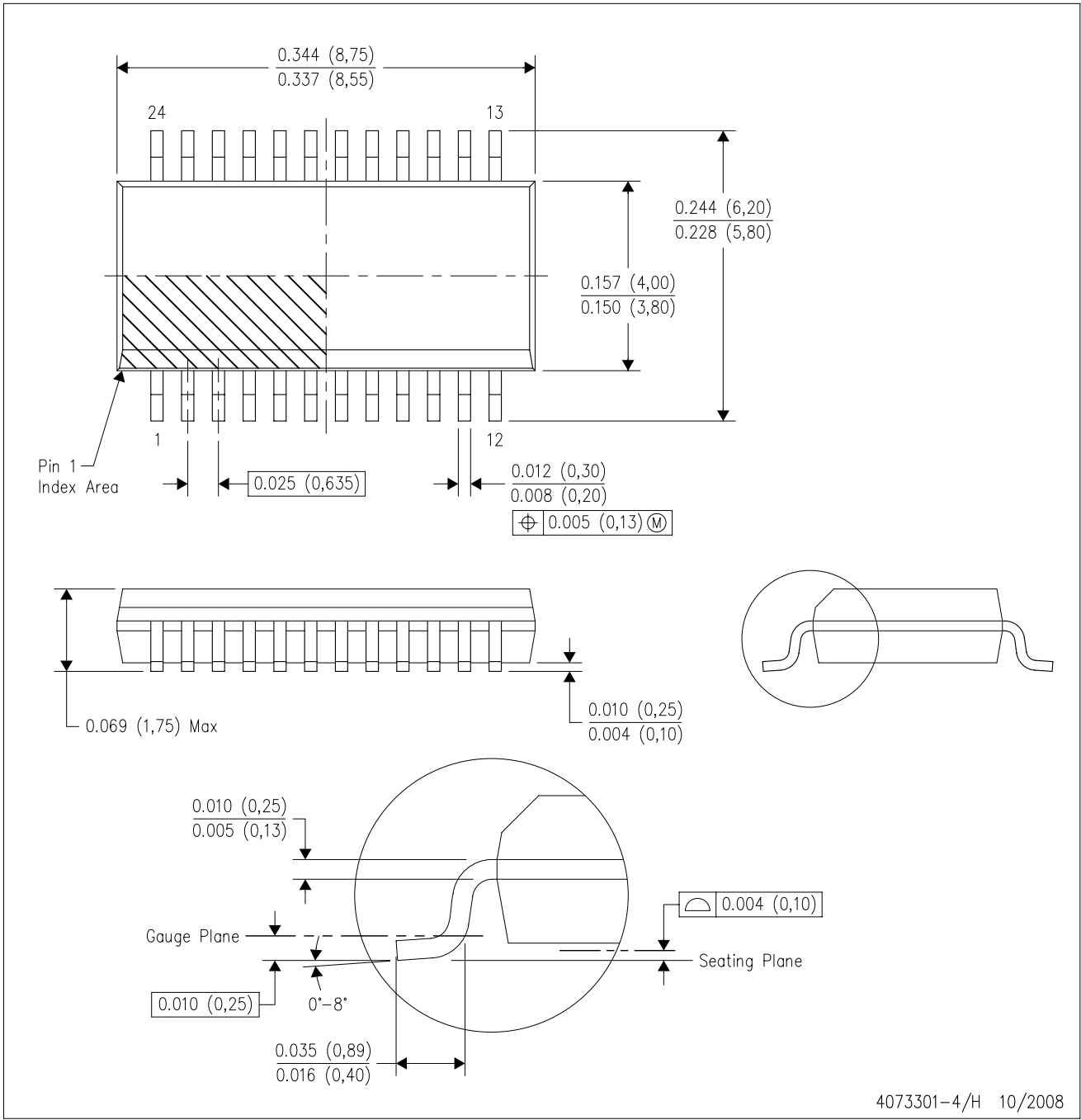
**TAPE AND REEL BOX DIMENSIONS**


\*All dimensions are nominal

Device	Package Type	Package Drawing	Pins	SPQ	Length (mm)	Width (mm)	Height (mm)
SN74CBTK6800DBQR	SSOP	DBQ	24	2500	853.0	449.0	35.0
SN74CBTK6800PWR	TSSOP	PW	24	2000	853.0	449.0	38.0

DBQ (R-PDSO-G24)

PLASTIC SMALL-OUTLINE PACKAGE



4073301-4/H 10/2008

- NOTES:
- A. All linear dimensions are in inches (millimeters).
  - B. This drawing is subject to change without notice.
  - C. Body dimensions do not include mold flash or protrusion not to exceed 0.006 (0,15) per side.
  - D. Falls within JEDEC MO-137 variation AE.

PW0024A



**PACKAGE OUTLINE**  
**TSSOP - 1.2 mm max height**

SMALL OUTLINE PACKAGE



NOTES:

1. All linear dimensions are in millimeters. Any dimensions in parenthesis are for reference only. Dimensioning and tolerancing per ASME Y14.5M.
2. This drawing is subject to change without notice.
3. This dimension does not include mold flash, protrusions, or gate burrs. Mold flash, protrusions, or gate burrs shall not exceed 0.15 mm per side.
4. This dimension does not include interlead flash. Interlead flash shall not exceed 0.25 mm per side.
5. Reference JEDEC registration MO-153.

# EXAMPLE BOARD LAYOUT

PW0024A

TSSOP - 1.2 mm max height

SMALL OUTLINE PACKAGE



LAND PATTERN EXAMPLE  
EXPOSED METAL SHOWN  
SCALE: 10X



SOLDER MASK DETAILS

4220208/A 02/2017

NOTES: (continued)

- 6. Publication IPC-7351 may have alternate designs.
- 7. Solder mask tolerances between and around signal pads can vary based on board fabrication site.

# EXAMPLE STENCIL DESIGN

PW0024A

TSSOP - 1.2 mm max height

SMALL OUTLINE PACKAGE



NOTES: (continued)

8. Laser cutting apertures with trapezoidal walls and rounded corners may offer better paste release. IPC-7525 may have alternate design recommendations.
9. Board assembly site may have different recommendations for stencil design.

## IMPORTANT NOTICE AND DISCLAIMER

TI PROVIDES TECHNICAL AND RELIABILITY DATA (INCLUDING DATASHEETS), DESIGN RESOURCES (INCLUDING REFERENCE DESIGNS), APPLICATION OR OTHER DESIGN ADVICE, WEB TOOLS, SAFETY INFORMATION, AND OTHER RESOURCES "AS IS" AND WITH ALL FAULTS, AND DISCLAIMS ALL WARRANTIES, EXPRESS AND IMPLIED, INCLUDING WITHOUT LIMITATION ANY IMPLIED WARRANTIES OF MERCHANTABILITY, FITNESS FOR A PARTICULAR PURPOSE OR NON-INFRINGEMENT OF THIRD PARTY INTELLECTUAL PROPERTY RIGHTS.

These resources are intended for skilled developers designing with TI products. You are solely responsible for (1) selecting the appropriate TI products for your application, (2) designing, validating and testing your application, and (3) ensuring your application meets applicable standards, and any other safety, security, or other requirements. These resources are subject to change without notice. TI grants you permission to use these resources only for development of an application that uses the TI products described in the resource. Other reproduction and display of these resources is prohibited. No license is granted to any other TI intellectual property right or to any third party intellectual property right. TI disclaims responsibility for, and you will fully indemnify TI and its representatives against, any claims, damages, costs, losses, and liabilities arising out of your use of these resources.

TI's products are provided subject to TI's Terms of Sale ([www.ti.com/legal/termsofsale.html](http://www.ti.com/legal/termsofsale.html)) or other applicable terms available either on [ti.com](http://ti.com) or provided in conjunction with such TI products. TI's provision of these resources does not expand or otherwise alter TI's applicable warranties or warranty disclaimers for TI products.

Mailing Address: Texas Instruments, Post Office Box 655303, Dallas, Texas 75265  
Copyright © 2020, Texas Instruments Incorporated