

# SN74HCS251-Q1 Automotive 8-to-1 Multiplexer with 3-State Outputs and Schmitt-Trigger Inputs

## 1 Features

- AEC-Q100 Qualified for automotive applications:
  - Device temperature grade 1:  $-40^{\circ}\text{C}$  to  $+125^{\circ}\text{C}$ ,  $T_A$
  - Device HBM ESD Classification Level 2
  - Device CDM ESD Classification Level C6
- Wide operating voltage range: 2 V to 6 V
- Schmitt-trigger inputs allow for slow or noisy input signals
- Low power consumption
  - Typical  $I_{CC}$  of 100 nA
  - Typical input leakage current of  $\pm 100$  nA
- $\pm 7.8$ -mA output drive at 6 V

## 3 Description

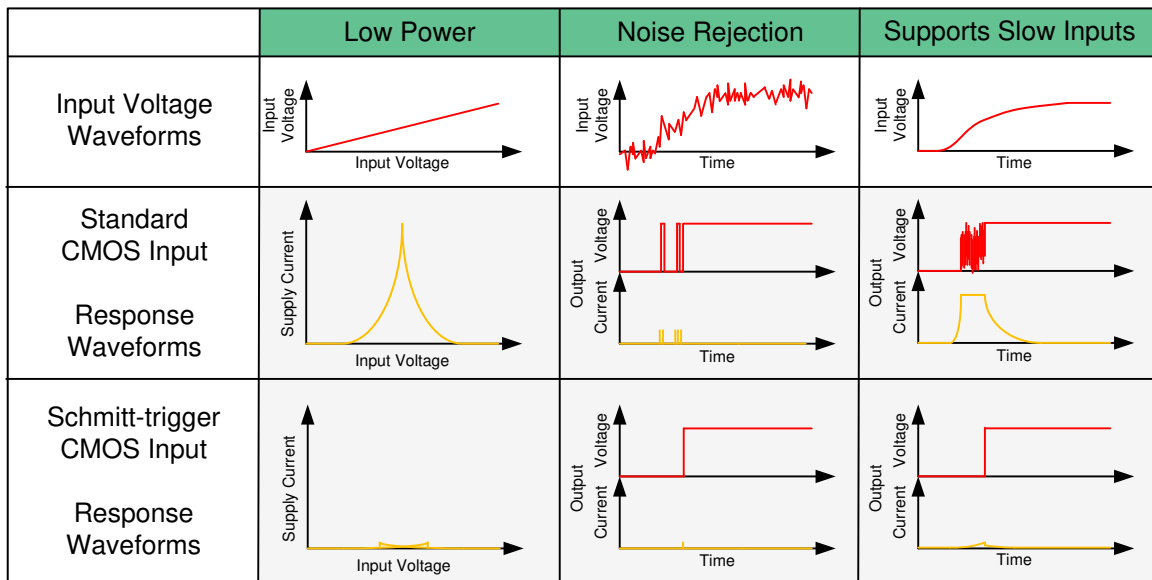
The SN74HCS251-Q1 is a data selector/multiplexer containing full binary decoding to select 1-of-8 data sources and features strobe-controlled complementary 3-state outputs.

### Device Information

| PART NUMBER     | PACKAGE <sup>(1)</sup> | BODY SIZE (NOM)   |
|-----------------|------------------------|-------------------|
| SN74HCS251PW-Q1 | TSSOP (16)             | 5.00 mm x 4.40 mm |
| SN74HCS251D-Q1  | SOIC (16)              | 9.90 mm x 3.90 mm |

## 2 Applications

- Data selection
- Multiplexing



**Benefits of Schmitt-trigger inputs**



## Table of Contents

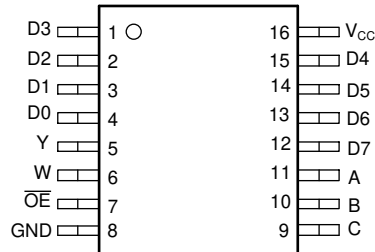
|  |          |  |           |
|--|----------|--|-----------|
| <b>1 Features</b> .....                          | <b>1</b> | 8.3 Feature Description.....                           | <b>9</b>  |
| <b>2 Applications</b> .....                      | <b>1</b> | 8.4 Device Functional Modes.....                       | <b>10</b> |
| <b>3 Description</b> .....                       | <b>1</b> | <b>9 Application and Implementation</b> .....          | <b>12</b> |
| <b>4 Revision History</b> .....                  | <b>2</b> | 9.1 Application Information.....                       | <b>12</b> |
| <b>5 Pin Configuration and Functions</b> .....   | <b>3</b> | 9.2 Typical Application.....                           | <b>12</b> |
| <b>6 Specifications</b> .....                    | <b>4</b> | <b>10 Power Supply Recommendations</b> .....           | <b>15</b> |
| 6.1 Absolute Maximum Ratings .....               | <b>4</b> | <b>11 Layout</b> .....                                 | <b>15</b> |
| 6.2 ESD Ratings .....                            | <b>4</b> | 11.1 Layout Guidelines.....                            | <b>15</b> |
| 6.3 Recommended Operating Conditions .....       | <b>4</b> | 11.2 Layout Example.....                               | <b>15</b> |
| 6.4 Thermal Information .....                    | <b>4</b> | <b>12 Device and Documentation Support</b> .....       | <b>16</b> |
| 6.5 Electrical Characteristics .....             | <b>5</b> | 12.1 Documentation Support.....                        | <b>16</b> |
| 6.6 Switching Characteristics .....              | <b>5</b> | 12.2 Receiving Notification of Documentation Updates.. | <b>16</b> |
| 6.7 Operating Characteristics .....              | <b>6</b> | 12.3 Support Resources.....                            | <b>16</b> |
| 6.8 Typical Characteristics.....                 | <b>7</b> | 12.4 Trademarks.....                                   | <b>16</b> |
| <b>7 Parameter Measurement Information</b> ..... | <b>8</b> | 12.5 Electrostatic Discharge Caution.....              | <b>16</b> |
| <b>8 Detailed Description</b> .....              | <b>9</b> | 12.6 Glossary.....                                     | <b>16</b> |
| 8.1 Overview.....                                | <b>9</b> | <b>13 Mechanical, Packaging, and Orderable</b>         |           |
| 8.2 Functional Block Diagram.....                | <b>9</b> | <b>Information</b> .....                               | <b>17</b> |

## 4 Revision History

NOTE: Page numbers for previous revisions may differ from page numbers in the current version.

| DATE        | REVISION | NOTES           |
|-------------|----------|-----------------|
| August 2020 | *        | Initial Release |

## 5 Pin Configuration and Functions



**D or PW Package 14-Pin SOIC or TSSOP Top View**

### Pin Functions

| PIN               |                 | I/O <sup>(1)</sup> | DESCRIPTION               |
|-------------------|-----------------|--------------------|---------------------------|
| SOIC or TSSOP NO. | NAME            |                    |                           |
| 1                 | D3              | I                  | Data input 3              |
| 2                 | D2              | I                  | Data input 2              |
| 3                 | D1              | I                  | Data input 1              |
| 4                 | D0              | I                  | Data input 0              |
| 5                 | Y               | O                  | Data output               |
| 6                 | W               | O                  | Data output, inverted     |
| 7                 | $\overline{OE}$ | I                  | Output enable, active low |
| 8                 | GND             | —                  | Ground                    |
| 9                 | C               | I                  | Address select C          |
| 10                | B               | I                  | Address select B          |
| 11                | A               | I                  | Address select A          |
| 12                | D7              | I                  | Data input 7              |
| 13                | D6              | I                  | Data input 6              |
| 14                | D5              | I                  | Data input 5              |
| 15                | D4              | I                  | Data input 4              |
| 16                | V <sub>CC</sub> | —                  | Positive supply           |

## 6 Specifications

### 6.1 Absolute Maximum Ratings

over operating free-air temperature range (unless otherwise noted)<sup>(1)</sup>

|                  |   | MIN   | MAX | UNIT   |
|------------------|---|---|-----|--------|
| V <sub>CC</sub>  | Supply voltage                                    | -0.5  | 7   | V      |
| I <sub>IK</sub>  | Input clamp current <sup>(2)</sup>                | V <sub>I</sub> < -0.5 V or V <sub>I</sub> > V <sub>CC</sub> + 0.5 V |     | ±20 mA |
| I <sub>OK</sub>  | Output clamp current <sup>(2)</sup>               | V <sub>I</sub> < -0.5 V or V <sub>I</sub> > V <sub>CC</sub> + 0.5 V |     | ±20 mA |
| I <sub>O</sub>   | Continuous output current                         | V <sub>O</sub> = 0 to V <sub>CC</sub>                               |     | ±35 mA |
|                  | Continuous current through V <sub>CC</sub> or GND |   |     | ±70 mA |
| T <sub>J</sub>   | Junction temperature <sup>(3)</sup>               |   |     | 150 °C |
| T <sub>stg</sub> | Storage temperature                               | -65   | 150 | °C     |

- (1) Stresses beyond those listed under *Absolute Maximum Rating* may cause permanent damage to the device. These are stress ratings only, which do not imply functional operation of the device at these or any other conditions beyond those indicated under *Recommended Operating Condition*. Exposure to absolute-maximum-rated conditions for extended periods may affect device reliability.
- (2) The input and output voltage ratings may be exceeded if the input and output current ratings are observed.
- (3) Guaranteed by design.

### 6.2 ESD Ratings

|                    |                         | VALUE   | UNIT  |
|--------------------|-------------------------|---|-------|
| V <sub>(ESD)</sub> | Electrostatic discharge | Human body model (HBM), per AEC Q100-002 <sup>(1)</sup><br>HBM ESD Classification Level 2 | ±4000 |
|                    |                         | Charged device model (CDM), per AEC<br>Q100-011 CDM ESD Classification Level C6           | ±1500 |

- (1) AEC Q100-002 indicate that HBM stressing shall be in accordance with the ANSI/ESDA/JEDEC JS-001 specification.

### 6.3 Recommended Operating Conditions

over operating free-air temperature range (unless otherwise noted)

|                 |                     | MIN | NOM | MAX             | UNIT |
|-----------------|---------------------|-----|-----|-----------------|------|
| V <sub>CC</sub> | Supply voltage      | 2   | 5   | 6               | V    |
| V <sub>I</sub>  | Input voltage       | 0   |     | V <sub>CC</sub> | V    |
| V <sub>O</sub>  | Output voltage      | 0   |     | V <sub>CC</sub> | V    |
| T <sub>A</sub>  | Ambient temperature | -40 |     | 125             | °C   |

### 6.4 Thermal Information

| THERMAL METRIC <sup>(1)</sup> |  | SN74HCS251-Q1 |          | UNIT |
|-------------------------------|--|---------------|----------|------|
|                               |  | PW (TSSOP)    | D (SOIC) |      |
|                               |  | 16 PINS       | 16 PINS  |      |
| R <sub>θJA</sub>              | Junction-to-ambient thermal resistance       | 141.2         | 122.2    | °C/W |
| R <sub>θJC(top)</sub>         | Junction-to-case (top) thermal resistance    | 78.8          | 80.9     | °C/W |
| R <sub>θJB</sub>              | Junction-to-board thermal resistance         | 85.8          | 80.6     | °C/W |
| Ψ <sub>JT</sub>               | Junction-to-top characterization parameter   | 27.7          | 40.4     | °C/W |
| Ψ <sub>JB</sub>               | Junction-to-board characterization parameter | 85.5          | 80.3     | °C/W |
| R <sub>θJC(bot)</sub>         | Junction-to-case (bottom) thermal resistance | N/A           | N/A      | °C/W |

- (1) For more information about traditional and new thermal metrics, see the [Semiconductor and IC Package Thermal Metrics](#) application report.

## 6.5 Electrical Characteristics

over operating free-air temperature range; typical values measured at  $T_A = 25^\circ\text{C}$  (unless otherwise noted).

| PARAMETER    |   | TEST CONDITIONS                |                            | $V_{CC}$   | MIN            | TYP              | MAX       | UNIT          |
|--------------|---|--------------------------------|----------------------------|------------|----------------|------------------|-----------|---------------|
| $V_{T+}$     | Positive switching threshold                    |                                |                            | 2 V        | 0.7            |                  | 1.5       | V             |
|              |   |                                |                            | 4.5 V      | 1.7            |                  | 3.15      |               |
|              |   |                                |                            | 6 V        | 2.1            |                  | 4.2       |               |
| $V_{T-}$     | Negative switching threshold                    |                                |                            | 2 V        | 0.3            |                  | 1.0       | V             |
|              |   |                                |                            | 4.5 V      | 0.9            |                  | 2.2       |               |
|              |   |                                |                            | 6 V        | 1.2            |                  | 3.0       |               |
| $\Delta V_T$ | Hysteresis ( $V_{T+} - V_{T-}$ ) <sup>(1)</sup> |                                |                            | 2 V        | 0.2            |                  | 1.0       | V             |
|              |   |                                |                            | 4.5 V      | 0.4            |                  | 1.4       |               |
|              |   |                                |                            | 6 V        | 0.6            |                  | 1.6       |               |
| $V_{OH}$     | High-level output voltage                       | $V_I = V_{IH}$ or $V_{IL}$     | $I_{OH} = -20 \mu\text{A}$ | 2 V to 6 V | $V_{CC} - 0.1$ | $V_{CC} - 0.002$ |           | V             |
|              |   |                                | $I_{OH} = -6 \text{ mA}$   | 4.5 V      | 4.0            | 4.3              |           |               |
|              |   |                                | $I_{OH} = -7.8 \text{ mA}$ | 6 V        | 5.4            | 5.75             |           |               |
| $V_{OL}$     | Low-level output voltage                        | $V_I = V_{IH}$ or $V_{IL}$     | $I_{OL} = 20 \mu\text{A}$  | 2 V to 6 V |                | 0.002            | 0.1       | V             |
|              |   |                                | $I_{OL} = 6 \text{ mA}$    | 4.5 V      |                | 0.18             | 0.30      |               |
|              |   |                                | $I_{OL} = 7.8 \text{ mA}$  | 6 V        |                | 0.22             | 0.33      |               |
| $I_I$        | Input leakage current                           | $V_I = V_{CC}$ or 0            |                            | 6 V        |                | $\pm 0.1$        | $\pm 1$   | $\mu\text{A}$ |
| $I_{OZ}$     | Off-state (high-impedance state) output current | $V_O = V_{CC}$ or 0            |                            | 6 V        |                |                  | $\pm 0.5$ | $\mu\text{A}$ |
| $I_{CC}$     | Supply current                                  | $V_I = V_{CC}$ or 0, $I_O = 0$ |                            | 6 V        |                | 0.1              | 2         | $\mu\text{A}$ |
| $C_i$        | Input capacitance                               |                                |                            | 2 V to 6 V |                |                  | 5         | pF            |

(1) Guaranteed by design.

## 6.6 Switching Characteristics

$C_L = 50 \text{ pF}$ ; over operating free-air temperature range (unless otherwise noted). See [Parameter Measurement Information](#).

| PARAMETER | FROM                    | TO              | $V_{CC}$ | Operating free-air temperature ( $T_A$ ) |     |     |                |     |     | UNIT |     |
|-----------|-------------------------|-----------------|----------|--|-----|-----|----------------|-----|-----|------|-----|
|           |                         |                 |          | 25°C                                     |     |     | -40°C to 125°C |     |     |      |     |
|           |                         |                 |          | MIN                                      | TYP | MAX | MIN            | TYP | MAX |      |     |
| $f_{max}$ | Max switching frequency |                 |          | 2 V                                      | 6   |     |                | 5   |     |      | MHz |
|           |                         |                 |          | 4.5 V                                    | 31  |     |                | 25  |     |      |     |
|           |                         |                 |          | 6 V                                      | 36  |     |                | 29  |     |      |     |
| $t_{pd}$  | Propagation delay       | A, B, or C      | W or Y   | 2 V                                      | 20  |     | 46             |     | 72  |      | ns  |
|           |                         |                 |          | 4.5 V                                    | 7   |     | 16             |     | 26  |      |     |
|           |                         |                 |          | 6 V                                      | 6   |     | 14             |     | 22  |      |     |
|           |                         | Any D           | W or Y   | 2 V                                      | 21  |     | 45             |     | 70  |      |     |
|           |                         |                 |          | 4.5 V                                    | 7   |     | 16             |     | 26  |      |     |
|           |                         |                 |          | 6 V                                      | 6   |     | 14             |     | 22  |      |     |
| $t_{en}$  | Enable time             | $\overline{OE}$ | W or Y   | 2 V                                      | 14  |     | 28             |     | 44  |      | ns  |
|           |                         |                 |          | 4.5 V                                    | 7   |     | 14             |     | 20  |      |     |
|           |                         |                 |          | 6 V                                      | 6   |     | 12             |     | 16  |      |     |
| $t_{dis}$ | Disable time            | $\overline{OE}$ | W or Y   | 2 V                                      | 12  |     | 24             |     | 32  |      | ns  |
|           |                         |                 |          | 4.5 V                                    | 8   |     | 16             |     | 20  |      |     |
|           |                         |                 |          | 6 V                                      | 7   |     | 16             |     | 18  |      |     |

$C_L = 50$  pF; over operating free-air temperature range (unless otherwise noted). See [Parameter Measurement Information](#).

| PARAMETER |                 | FROM | TO         | $V_{CC}$ | Operating free-air temperature ( $T_A$ ) |     |     |                |     |     | UNIT |
|-----------|-----------------|------|------------|----------|--|-----|-----|----------------|-----|-----|------|
|           |                 |      |            |          | 25°C                                     |     |     | –40°C to 125°C |     |     |      |
|           |                 |      |            |          | MIN                                      | TYP | MAX | MIN            | TYP | MAX |      |
| $t_t$     | Transition time |      | W or Y     | 2 V      |  |     | 9   |                |     | 16  | ns   |
|           |                 |      |            | 4.5 V    |  |     | 5   |                |     | 9   |      |
|           |                 |      |            | 6 V      |  |     | 4   |                |     | 8   |      |
|           |                 |      | Any output | 2 V      |  |     | 60  |                |     | 75  |      |
|           |                 |      |            | 4.5 V    |  |     | 12  |                |     | 15  |      |
|           |                 |      |            | 6 V      |  |     | 10  |                |     | 13  |      |

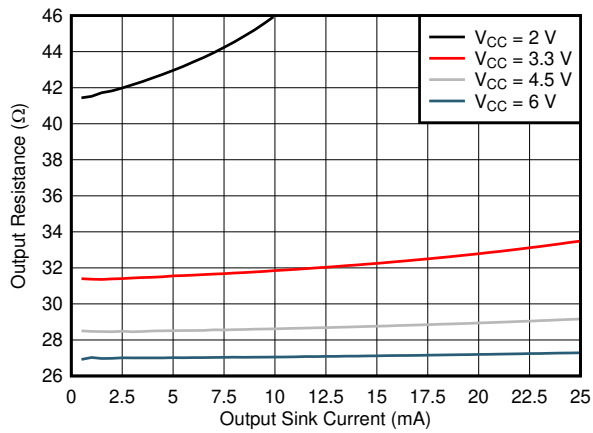
### 6.7 Operating Characteristics

over operating free-air temperature range; typical values measured at  $T_A = 25^\circ\text{C}$  (unless otherwise noted).

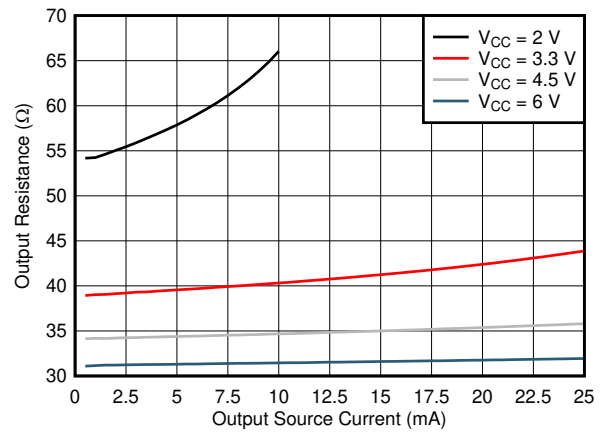
| PARAMETER |  | TEST CONDITIONS | $V_{CC}$   | MIN | TYP | MAX | UNIT |
|-----------|--|-----------------|------------|-----|-----|-----|------|
| $C_{pd}$  | Power dissipation capacitance per gate | No load         | 2 V to 6 V |     | 40  |     | pF   |

## 6.8 Typical Characteristics

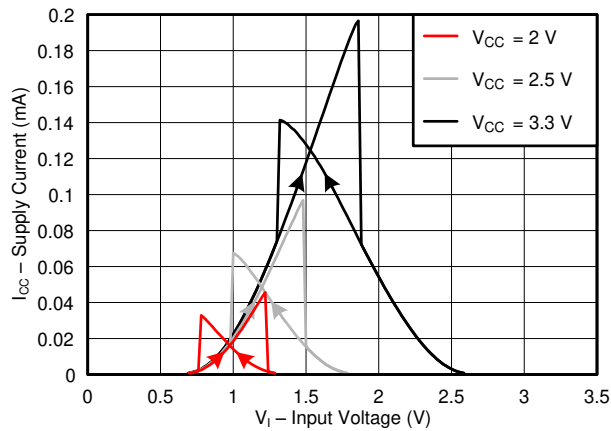
$T_A = 25^\circ\text{C}$



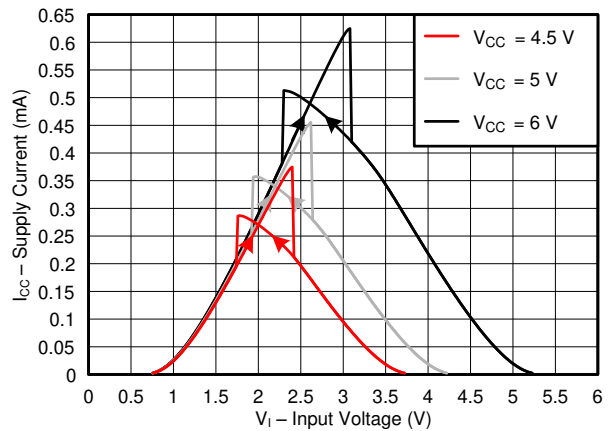
**Figure 6-1. Output driver resistance in LOW state.**



**Figure 6-2. Output driver resistance in HIGH state.**



**Figure 6-3. Supply current across input voltage, 2-, 2.5-, and 3.3-V supply**



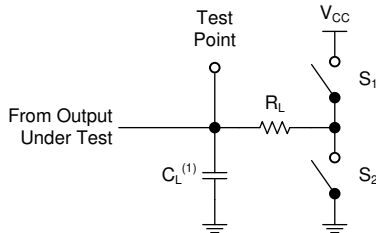
**Figure 6-4. Supply current across input voltage, 4.5-, 5-, and 6-V supply**

## 7 Parameter Measurement Information

Phase relationships between waveforms were chosen arbitrarily. All input pulses are supplied by generators having the following characteristics:  $PRR \leq 1 \text{ MHz}$ ,  $Z_O = 50 \ \Omega$ ,  $t_t < 2.5 \text{ ns}$ .

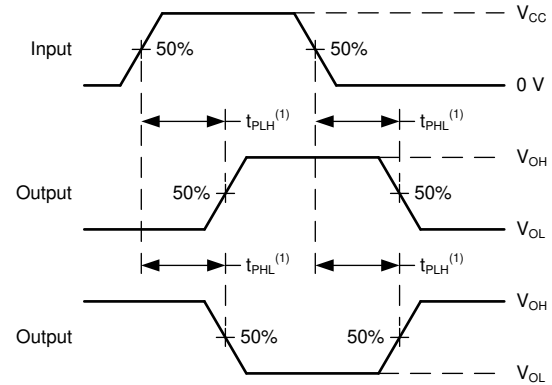
For clock inputs,  $f_{\text{max}}$  is measured when the input duty cycle is 50%.

The outputs are measured one at a time with one input transition per measurement.



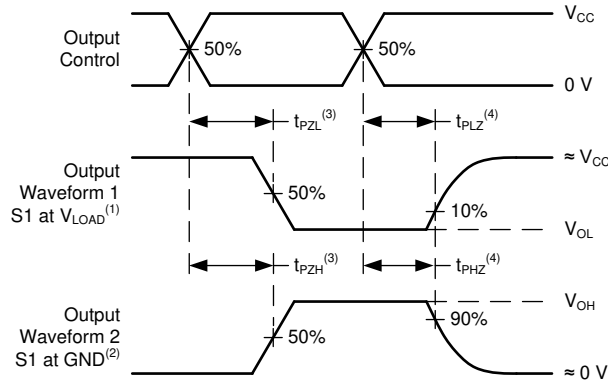
(1)  $C_L$  includes probe and test-fixture capacitance.

**Figure 7-1. Load Circuit**

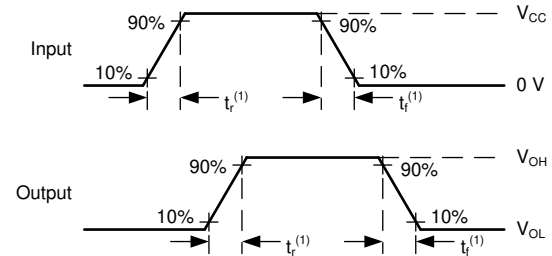


(1) The greater between  $t_{PLH}$  and  $t_{PHL}$  is the same as  $t_{pd}$ .

**Figure 7-2. Voltage Waveforms Propagation Delays**



**Figure 7-3. Voltage Waveforms Propagation Delays**



(1) The greater between  $t_r$  and  $t_f$  is the same as  $t_t$ .

**Figure 7-4. Voltage Waveforms, Input and Output Transition Times**



## 8 Detailed Description

### 8.1 Overview

The SN74HCS251-Q1 is a data selector/multiplexer containing full binary decoding to select 1-of-8 data sources and features strobe-controlled complementary 3-state outputs.

The 3-state outputs can interface with and drive data lines of bus-organized systems. With all but one of the common outputs disabled (in the high-impedance state), the low impedance of the single enabled output drives the bus line to a high or low logic level. Both outputs are controlled by the output-enable ( $\overline{OE}$ ) input. The outputs are disabled when  $\overline{OE}$  is high.

### 8.2 Functional Block Diagram

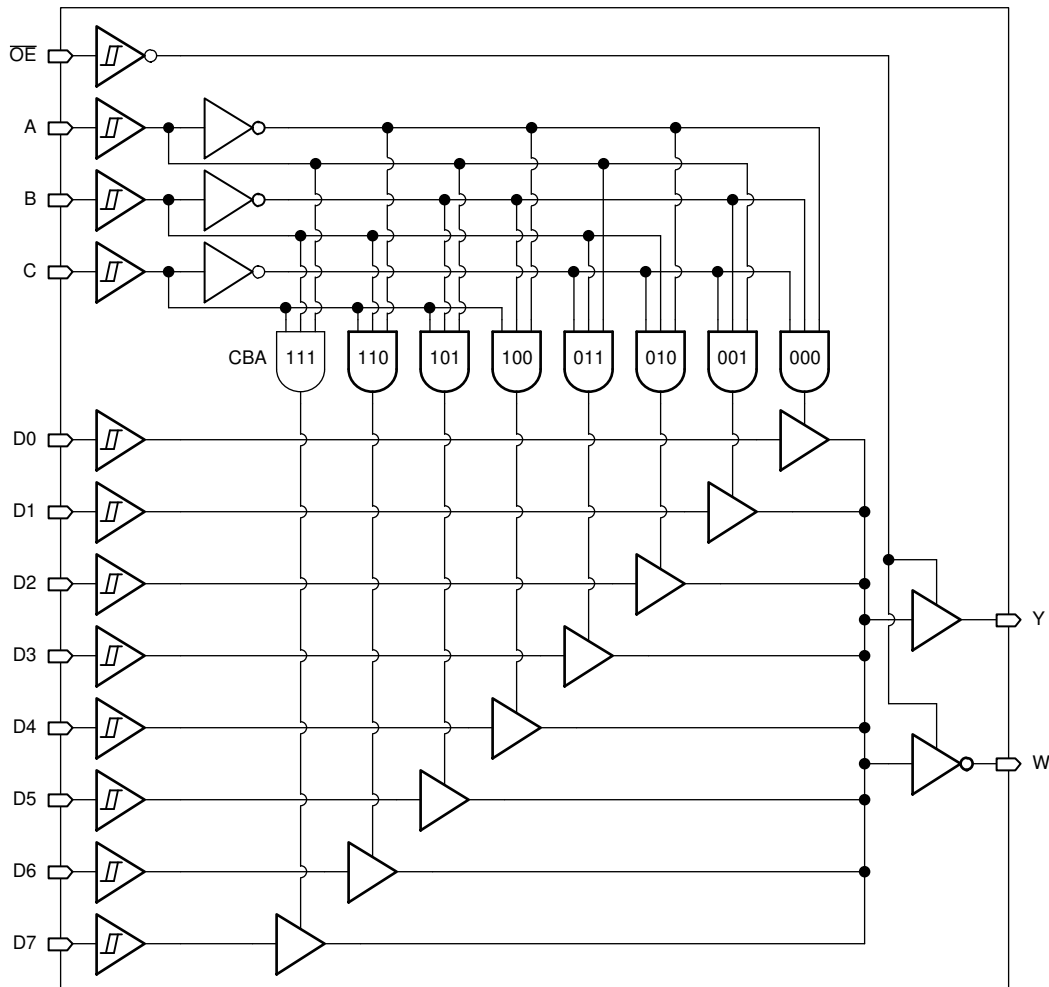


Figure 8-1. Logic Diagram (Positive Logic) for SN74HCS251-Q1

### 8.3 Feature Description

#### 8.3.1 Balanced CMOS 3-State Outputs

This device includes balanced CMOS 3-State outputs. The three states that these outputs can be in are driving high, driving low, and high impedance. The term "balanced" indicates that the device can sink and source similar currents. The drive capability of this device may create fast edges into light loads so routing and load conditions should be considered to prevent ringing. Additionally, the outputs of this device are capable of driving larger currents than the device can sustain without being damaged. It is important for the output power of the device to be limited to avoid damage due to overcurrent. The electrical and thermal limits defined in the *Absolute Maximum Ratings* must be followed at all times.

When placed into the high-impedance mode, the output will neither source nor sink current, with the exception of minor leakage current as defined in the *Electrical Characteristics* table. In the high-impedance state, the output voltage is not controlled by the device and is dependent on external factors. If no other drivers are connected to the node, then this is known as a floating node and the voltage is unknown. A pull-up or pull-down resistor can be connected to the output to provide a known voltage at the output while it is in the high-impedance state. The value of the resistor will depend on multiple factors, including parasitic capacitance and power consumption limitations. Typically, a 10 kΩ resistor can be used to meet these requirements.

Unused 3-state CMOS outputs should be left disconnected.

### 8.3.2 CMOS Schmitt-Trigger Inputs

This device includes inputs with the Schmitt-trigger architecture. These inputs are high impedance and are typically modeled as a resistor in parallel with the input capacitance given in the *Electrical Characteristics* table from the input to ground. The worst case resistance is calculated with the maximum input voltage, given in the *Absolute Maximum Ratings* table, and the maximum input leakage current, given in the *Electrical Characteristics* table, using Ohm's law ( $R = V \div I$ ).

The Schmitt-trigger input architecture provides hysteresis as defined by  $\Delta V_T$  in the *Electrical Characteristics* table, which makes this device extremely tolerant to slow or noisy inputs. While the inputs can be driven much slower than standard CMOS inputs, it is still recommended to properly terminate unused inputs. Driving the inputs with slow transitioning signals will increase dynamic current consumption of the device. For additional information regarding Schmitt-trigger inputs, please see [Understanding Schmitt Triggers](#).

### 8.3.3 Clamp Diode Structure

The inputs and outputs to this device have both positive and negative clamping diodes as depicted in [Electrical Placement of Clamping Diodes for Each Input and Output](#).

**CAUTION**

Voltages beyond the values specified in the *Absolute Maximum Ratings* table can cause damage to the device. The input and output voltage ratings may be exceeded if the input and output clamp-current ratings are observed.

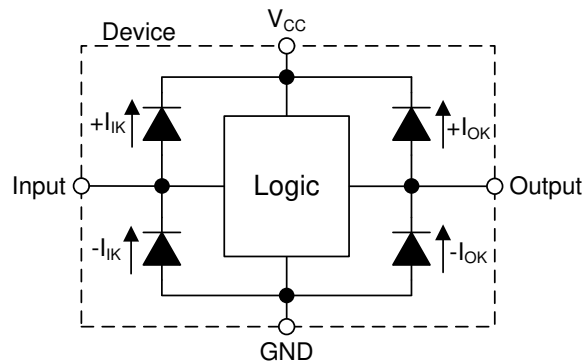


Figure 8-2. Electrical Placement of Clamping Diodes for Each Input and Output

## 8.4 Device Functional Modes

The [Function Table](#) lists the functional modes of the SN74HCS251-Q1.

Table 8-1. Function Table

| INPUTS <sup>(1)</sup> |   |   | OUTPUTS <sup>(2)</sup> |    |                 |
|-----------------------|---|---|------------------------|----|-----------------|
| SELECT                |   |   | OE                     | Y  | W               |
| C                     | B | A |                        |    |                 |
| X                     | X | X | H                      | Z  | Z               |
| L                     | L | L | L                      | D0 | $\overline{D0}$ |

**Table 8-1. Function Table (continued)**

| INPUTS <sup>(1)</sup> |   |   | OUTPUTS <sup>(2)</sup> |    |                 |
|-----------------------|---|---|------------------------|----|-----------------|
| SELECT                |   |   | $\overline{OE}$        | Y  | W               |
| C                     | B | A |                        |    |                 |
| L                     | L | H | L                      | D1 | $\overline{D1}$ |
| L                     | H | L | L                      | D2 | $\overline{D2}$ |
| L                     | H | H | L                      | D3 | $\overline{D3}$ |
| H                     | L | L | L                      | D4 | $\overline{D4}$ |
| H                     | L | H | L                      | D5 | $\overline{D5}$ |
| H                     | H | L | L                      | D6 | $\overline{D6}$ |
| H                     | H | H | L                      | D7 | $\overline{D7}$ |

(1) H = High Voltage Level, L = Low Voltage Level, X = Don't Care

(2) ( D0, D1 . . . D7 ) = the level of the respective D input (High or Low), Z = High Impedance

## 9 Application and Implementation

### Note

Information in the following applications sections is not part of the TI component specification, and TI does not warrant its accuracy or completeness. TI's customers are responsible for determining suitability of components for their purposes. Customers should validate and test their design implementation to confirm system functionality.

### 9.1 Application Information

The SN74HCS251-Q1 is an 8-to-1 data selector/multiplexer. This application shows an example of using the device with all required connections.

### 9.2 Typical Application

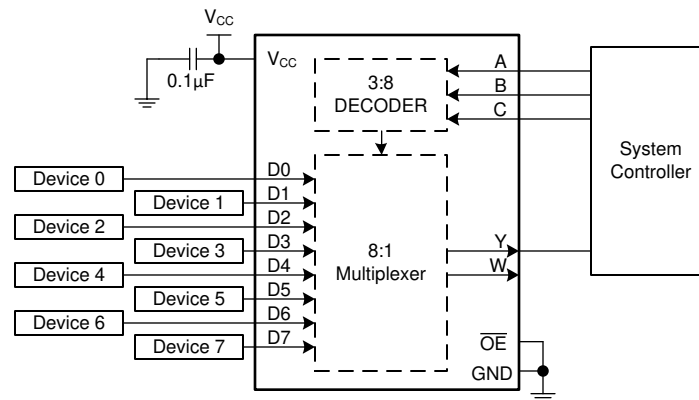


Figure 9-1. Typical application block diagram

#### 9.2.1 Design Requirements

##### 9.2.1.1 Power Considerations

Ensure the desired supply voltage is within the range specified in the *Recommended Operating Conditions*. The supply voltage sets the device's electrical characteristics as described in the *Electrical Characteristics*.

The positive voltage supply must be capable of sourcing current equal to the total current to be sourced by all outputs of the SN74HCS251-Q1 plus the maximum static supply current,  $I_{CC}$ , listed in *Electrical Characteristics* and any transient current required for switching. The logic device can only source as much current as is provided by the positive supply source. Be sure not to exceed the maximum total current through  $V_{CC}$  listed in the *Absolute Maximum Ratings*.

The ground must be capable of sinking current equal to the total current to be sunk by all outputs of the SN74HCS251-Q1 plus the maximum supply current,  $I_{CC}$ , listed in *Electrical Characteristics*, and any transient current required for switching. The logic device can only sink as much current as can be sunk into its ground connection. Be sure not to exceed the maximum total current through GND listed in the *Absolute Maximum Ratings*.

The SN74HCS251-Q1 can drive a load with a total capacitance less than or equal to 50 pF while still meeting all of the datasheet specifications. Larger capacitive loads can be applied, however it is not recommended to exceed 50 pF.

The SN74HCS251-Q1 can drive a load with total resistance described by  $R_L \geq V_O / I_O$ , with the output voltage and current defined in the *Electrical Characteristics* table with  $V_{OH}$  and  $V_{OL}$ . When outputting in the high state, the output voltage in the equation is defined as the difference between the measured output voltage and the supply voltage at the  $V_{CC}$  pin.

Total power consumption can be calculated using the information provided in [CMOS Power Consumption and Cpd Calculation](#).

Thermal increase can be calculated using the information provided in [Thermal Characteristics of Standard Linear and Logic \(SLL\) Packages and Devices](#).

#### CAUTION

The maximum junction temperature,  $T_{J(max)}$  listed in the *Absolute Maximum Ratings*, is an additional limitation to prevent damage to the device. Do not violate any values listed in the *Absolute Maximum Ratings*. These limits are provided to prevent damage to the device.

#### 9.2.1.2 Input Considerations

Input signals must cross  $V_{t(min)}$  to be considered a logic LOW, and  $V_{t+(max)}$  to be considered a logic HIGH. Do not exceed the maximum input voltage range found in the *Absolute Maximum Ratings*.

Unused inputs must be terminated to either  $V_{CC}$  or ground. These can be directly terminated if the input is completely unused, or they can be connected with a pull-up or pull-down resistor if the input is to be used sometimes, but not always. A pull-up resistor is used for a default state of HIGH, and a pull-down resistor is used for a default state of LOW. The resistor size is limited by drive current of the controller, leakage current into the SN74HCS251-Q1, as specified in the *Electrical Characteristics*, and the desired input transition rate. A 10-k $\Omega$  resistor value is often used due to these factors.

The SN74HCS251-Q1 has no input signal transition rate requirements because it has Schmitt-trigger inputs.

Another benefit to having Schmitt-trigger inputs is the ability to reject noise. Noise with a large enough amplitude can still cause issues. To know how much noise is too much, please refer to the  $\Delta V_{T(min)}$  in the *Electrical Characteristics*. This hysteresis value will provide the peak-to-peak limit.

Unlike what happens with standard CMOS inputs, Schmitt-trigger inputs can be held at any valid value without causing huge increases in power consumption. The typical additional current caused by holding an input at a value other than  $V_{CC}$  or ground is plotted in the *Typical Characteristics*.

Refer to the *Feature Description* section for additional information regarding the inputs for this device.

#### 9.2.1.3 Output Considerations

The positive supply voltage is used to produce the output HIGH voltage. Drawing current from the output will decrease the output voltage as specified by the  $V_{OH}$  specification in the *Electrical Characteristics*. The ground voltage is used to produce the output LOW voltage. Sinking current into the output will increase the output voltage as specified by the  $V_{OL}$  specification in the *Electrical Characteristics*.

Push-pull outputs that could be in opposite states, even for a very short time period, should never be connected directly together. This can cause excessive current and damage to the device.

Two channels within the same device with the same input signals can be connected in parallel for additional output drive strength.

Unused outputs can be left floating. Do not connect outputs directly to  $V_{CC}$  or ground.

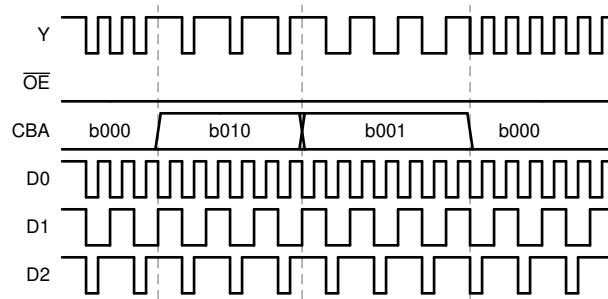
Refer to *Feature Description* section for additional information regarding the outputs for this device.

#### 9.2.2 Detailed Design Procedure

1. Add a decoupling capacitor from  $V_{CC}$  to GND. The capacitor needs to be placed physically close to the device and electrically close to both the  $V_{CC}$  and GND pins. An example layout is shown in the *Layout* section.
2. Ensure the capacitive load at the output is  $\leq 50$  pF. This is not a hard limit, however it will ensure optimal performance. This can be accomplished by providing short, appropriately sized traces from the SN74HCS251-Q1 to the receiving device(s).
3. Ensure the resistive load at the output is larger than  $(V_{CC} / I_{O(max)}) \Omega$ . This will ensure that the maximum output current from the *Absolute Maximum Ratings* is not violated. Most CMOS inputs have a resistive load measured in megaohms; much larger than the minimum calculated above.

- Thermal issues are rarely a concern for logic gates, however the power consumption and thermal increase can be calculated using the steps provided in the application report, [CMOS Power Consumption and Cpd Calculation](#).

### 9.2.3 Application Curve



**Figure 9-2. Application timing diagram**

## 10 Power Supply Recommendations

The power supply can be any voltage between the minimum and maximum supply voltage rating located in the *Recommended Operating Conditions*. Each  $V_{CC}$  terminal should have a good bypass capacitor to prevent power disturbance. A 0.1- $\mu\text{F}$  capacitor is recommended for this device. It is acceptable to parallel multiple bypass caps to reject different frequencies of noise. The 0.1- $\mu\text{F}$  and 1- $\mu\text{F}$  capacitors are commonly used in parallel. The bypass capacitor should be installed as close to the power terminal as possible for best results, as shown in given example layout image.

## 11 Layout

### 11.1 Layout Guidelines

When using multiple-input and multiple-channel logic devices inputs must not ever be left floating. In many cases, functions or parts of functions of digital logic devices are unused; for example, when only two inputs of a triple-input AND gate are used or only 3 of the 4 buffer gates are used. Such unused input pins must not be left unconnected because the undefined voltages at the outside connections result in undefined operational states. All unused inputs of digital logic devices must be connected to a logic high or logic low voltage, as defined by the input voltage specifications, to prevent them from floating. The logic level that must be applied to any particular unused input depends on the function of the device. Generally, the inputs are tied to GND or  $V_{CC}$ , whichever makes more sense for the logic function or is more convenient.

### 11.2 Layout Example

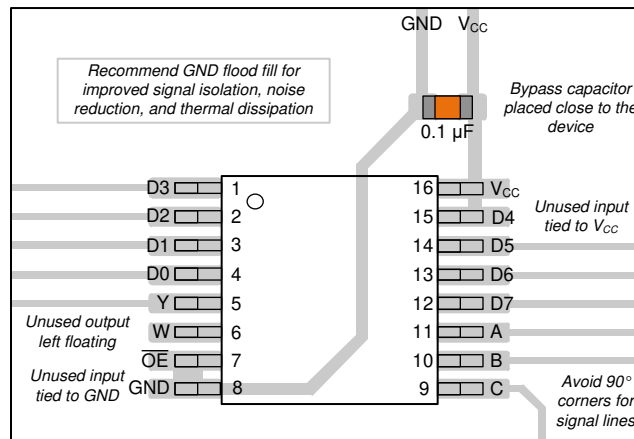


Figure 11-1. Example layout for the SN74HCS251-Q1 in the PW package.

## 12 Device and Documentation Support

TI offers an extensive line of development tools. Tools and software to evaluate the performance of the device, generate code, and develop solutions are listed below.

### 12.1 Documentation Support

#### 12.1.1 Related Documentation

For related documentation see the following:

- Texas Instruments, [HCMOS Design Considerations application report](#) (SCLA007)
- Texas Instruments, [CMOS Power Consumption and  \$C\_{pd}\$  Calculation application report](#) (SDYA009)
- Texas Instruments, [Designing With Logic application report](#)

### 12.2 Receiving Notification of Documentation Updates

To receive notification of documentation updates, navigate to the device product folder on [ti.com](#). Click on [Subscribe to updates](#) to register and receive a weekly digest of any product information that has changed. For change details, review the revision history included in any revised document.

### 12.3 Support Resources

[TI E2E™ support forums](#) are an engineer's go-to source for fast, verified answers and design help — straight from the experts. Search existing answers or ask your own question to get the quick design help you need.

Linked content is provided "AS IS" by the respective contributors. They do not constitute TI specifications and do not necessarily reflect TI's views; see TI's [Terms of Use](#).

### 12.4 Trademarks

TI E2E™ is a trademark of Texas Instruments.

All other trademarks are the property of their respective owners.

### 12.5 Electrostatic Discharge Caution



This integrated circuit can be damaged by ESD. Texas Instruments recommends that all integrated circuits be handled with appropriate precautions. Failure to observe proper handling and installation procedures can cause damage.

ESD damage can range from subtle performance degradation to complete device failure. Precision integrated circuits may be more susceptible to damage because very small parametric changes could cause the device not to meet its published specifications.

### 12.6 Glossary

[TI Glossary](#) This glossary lists and explains terms, acronyms, and definitions.



## 13 Mechanical, Packaging, and Orderable Information

The following pages include mechanical, packaging, and orderable information. This information is the most current data available for the designated devices. This data is subject to change without notice and revision of this document. For browser-based versions of this data sheet, refer to the left-hand navigation.

**PACKAGING INFORMATION**

| Orderable part number            | Status<br>(1) | Material type<br>(2) | Package   Pins  | Package qty   Carrier | RoHS<br>(3) | Lead finish/<br>Ball material<br>(4) | MSL rating/<br>Peak reflow<br>(5) | Op temp (°C) | Part marking<br>(6) |
|----------------------------------|---------------|----------------------|-----------------|-----------------------|-------------|--------------------------------------|-----------------------------------|--------------|---------------------|
| <a href="#">SN74HCS251QDRQ1</a>  | Active        | Production           | SOIC (D)   16   | 2500   LARGE T&R      | Yes         | NIPDAU                               | Level-1-260C-UNLIM                | -40 to 125   | HCS251Q             |
| <a href="#">SN74HCS251QPWRQ1</a> | Active        | Production           | TSSOP (PW)   16 | 2000   LARGE T&R      | Yes         | NIPDAU                               | Level-1-260C-UNLIM                | -40 to 125   | HCS251Q             |

(1) **Status:** For more details on status, see our [product life cycle](#).

(2) **Material type:** When designated, preproduction parts are prototypes/experimental devices, and are not yet approved or released for full production. Testing and final process, including without limitation quality assurance, reliability performance testing, and/or process qualification, may not yet be complete, and this item is subject to further changes or possible discontinuation. If available for ordering, purchases will be subject to an additional waiver at checkout, and are intended for early internal evaluation purposes only. These items are sold without warranties of any kind.

(3) **RoHS values:** Yes, No, RoHS Exempt. See the [TI RoHS Statement](#) for additional information and value definition.

(4) **Lead finish/Ball material:** Parts may have multiple material finish options. Finish options are separated by a vertical ruled line. Lead finish/Ball material values may wrap to two lines if the finish value exceeds the maximum column width.

(5) **MSL rating/Peak reflow:** The moisture sensitivity level ratings and peak solder (reflow) temperatures. In the event that a part has multiple moisture sensitivity ratings, only the lowest level per JEDEC standards is shown. Refer to the shipping label for the actual reflow temperature that will be used to mount the part to the printed circuit board.

(6) **Part marking:** There may be an additional marking, which relates to the logo, the lot trace code information, or the environmental category of the part.

Multiple part markings will be inside parentheses. Only one part marking contained in parentheses and separated by a "~" will appear on a part. If a line is indented then it is a continuation of the previous line and the two combined represent the entire part marking for that device.

**Important Information and Disclaimer:**The information provided on this page represents TI's knowledge and belief as of the date that it is provided. TI bases its knowledge and belief on information provided by third parties, and makes no representation or warranty as to the accuracy of such information. Efforts are underway to better integrate information from third parties. TI has taken and continues to take reasonable steps to provide representative and accurate information but may not have conducted destructive testing or chemical analysis on incoming materials and chemicals. TI and TI suppliers consider certain information to be proprietary, and thus CAS numbers and other limited information may not be available for release.

In no event shall TI's liability arising out of such information exceed the total purchase price of the TI part(s) at issue in this document sold by TI to Customer on an annual basis.

**OTHER QUALIFIED VERSIONS OF SN74HCS251-Q1 :**

- Catalog : [SN74HCS251](#)

NOTE: Qualified Version Definitions:

- Catalog - TI's standard catalog product

**TAPE AND REEL INFORMATION**

**QUADRANT ASSIGNMENTS FOR PIN 1 ORIENTATION IN TAPE**


\*All dimensions are nominal

| Device           | Package Type | Package Drawing | Pins | SPQ  | Reel Diameter (mm) | Reel Width W1 (mm) | A0 (mm) | B0 (mm) | K0 (mm) | P1 (mm) | W (mm) | Pin1 Quadrant |
|------------------|--------------|-----------------|------|------|--------------------|--------------------|---------|---------|---------|---------|--------|---------------|
| SN74HCS251QDRQ1  | SOIC         | D               | 16   | 2500 | 330.0              | 16.4               | 6.5     | 10.3    | 2.1     | 8.0     | 16.0   | Q1            |
| SN74HCS251QPWRQ1 | TSSOP        | PW              | 16   | 2000 | 330.0              | 12.4               | 6.9     | 5.6     | 1.6     | 8.0     | 12.0   | Q1            |

**TAPE AND REEL BOX DIMENSIONS**


\*All dimensions are nominal

| Device           | Package Type | Package Drawing | Pins | SPQ  | Length (mm) | Width (mm) | Height (mm) |
|------------------|--------------|-----------------|------|------|-------------|------------|-------------|
| SN74HCS251QDRQ1  | SOIC         | D               | 16   | 2500 | 356.0       | 356.0      | 35.0        |
| SN74HCS251QPWRQ1 | TSSOP        | PW              | 16   | 2000 | 356.0       | 356.0      | 35.0        |

D (R-PDSO-G16)

PLASTIC SMALL OUTLINE



4040047-6/M 06/11

- NOTES:
- A. All linear dimensions are in inches (millimeters).
  - B. This drawing is subject to change without notice.
  -  C. Body length does not include mold flash, protrusions, or gate burrs. Mold flash, protrusions, or gate burrs shall not exceed 0.006 (0,15) each side.
  -  D. Body width does not include interlead flash. Interlead flash shall not exceed 0.017 (0,43) each side.
  - E. Reference JEDEC MS-012 variation AC.



4220204/A 02/2017

NOTES:

1. All linear dimensions are in millimeters. Any dimensions in parenthesis are for reference only. Dimensioning and tolerancing per ASME Y14.5M.
2. This drawing is subject to change without notice.
3. This dimension does not include mold flash, protrusions, or gate burrs. Mold flash, protrusions, or gate burrs shall not exceed 0.15 mm per side.
4. This dimension does not include interlead flash. Interlead flash shall not exceed 0.25 mm per side.
5. Reference JEDEC registration MO-153.

# EXAMPLE BOARD LAYOUT

PW0016A

TSSOP - 1.2 mm max height

SMALL OUTLINE PACKAGE



LAND PATTERN EXAMPLE  
EXPOSED METAL SHOWN  
SCALE: 10X



4220204/A 02/2017

NOTES: (continued)

- 6. Publication IPC-7351 may have alternate designs.
- 7. Solder mask tolerances between and around signal pads can vary based on board fabrication site.



# EXAMPLE STENCIL DESIGN

PW0016A

TSSOP - 1.2 mm max height

SMALL OUTLINE PACKAGE



SOLDER PASTE EXAMPLE  
BASED ON 0.125 mm THICK STENCIL  
SCALE: 10X

4220204/A 02/2017

NOTES: (continued)

8. Laser cutting apertures with trapezoidal walls and rounded corners may offer better paste release. IPC-7525 may have alternate design recommendations.
9. Board assembly site may have different recommendations for stencil design.

## IMPORTANT NOTICE AND DISCLAIMER

TI PROVIDES TECHNICAL AND RELIABILITY DATA (INCLUDING DATA SHEETS), DESIGN RESOURCES (INCLUDING REFERENCE DESIGNS), APPLICATION OR OTHER DESIGN ADVICE, WEB TOOLS, SAFETY INFORMATION, AND OTHER RESOURCES "AS IS" AND WITH ALL FAULTS, AND DISCLAIMS ALL WARRANTIES, EXPRESS AND IMPLIED, INCLUDING WITHOUT LIMITATION ANY IMPLIED WARRANTIES OF MERCHANTABILITY, FITNESS FOR A PARTICULAR PURPOSE OR NON-INFRINGEMENT OF THIRD PARTY INTELLECTUAL PROPERTY RIGHTS.

These resources are intended for skilled developers designing with TI products. You are solely responsible for (1) selecting the appropriate TI products for your application, (2) designing, validating and testing your application, and (3) ensuring your application meets applicable standards, and any other safety, security, regulatory or other requirements.

These resources are subject to change without notice. TI grants you permission to use these resources only for development of an application that uses the TI products described in the resource. Other reproduction and display of these resources is prohibited. No license is granted to any other TI intellectual property right or to any third party intellectual property right. TI disclaims responsibility for, and you will fully indemnify TI and its representatives against, any claims, damages, costs, losses, and liabilities arising out of your use of these resources.

TI's products are provided subject to [TI's Terms of Sale](#) or other applicable terms available either on [ti.com](https://www.ti.com) or provided in conjunction with such TI products. TI's provision of these resources does not expand or otherwise alter TI's applicable warranties or warranty disclaimers for TI products.

TI objects to and rejects any additional or different terms you may have proposed.

Mailing Address: Texas Instruments, Post Office Box 655303, Dallas, Texas 75265

Copyright © 2025, Texas Instruments Incorporated