

# TAS5721 Digital Audio Power Amplifier With EQ, DRC, 2.1 Support, and Headphone/Line Driver

## 1 Features

- Audio Input/Output
  - 10 W x 2 into 8 Ω With PVDD = 24 V
  - 8 W x 2 + 12 W x 1 into 8 Ω With PVDD = 24 V
  - Supports 2.0, Single Device 2.1, and Mono Modes
  - Supports 8-kHz to 48-kHz Sample Rate (LJ/RJ/I<sup>2</sup>S)
  - Integrated DirectPath™ Headphone Amplifier and 2 V<sub>RMS</sub> Line Driver
- Audio/PWM Processing
  - Independent Channel Volume Controls With 24-dB to Mute in 0.5 dB Steps
  - Separate Dynamic Range Control for Satellite and Sub Channels
  - 21 Programmable Biquads for Speaker EQ
  - Programmable Two-Band Dynamic Range Control
  - Support for 3D Effects
- General Features
  - I<sup>2</sup>C™ Serial Control Interface Operational Without MCLK
  - Configurable I<sup>2</sup>C Address (0x34 or 0x36)
  - Automatic Sample Rate Detection
  - Thermal and Short-Circuit Protection
  - Wide PVDD Supply Range (4.5 V to 24 V)

## 2 Applications

LED/LCD TVs, Soundbar, Docking Stations, PC Speakers

## 3 Description

The TAS5721 is an efficient, digital-input audio amplifier for driving 2.0 speaker systems configured as a bridge tied load (BTL), 2.1 systems with two satellite speakers and one subwoofer, or in PBTL systems driving a single speaker configured as a parallel bridge tied load (PBTL). One serial data input allows processing of up to two discrete audio channels and seamless integration to most digital audio processors and MPEG decoders. The device accepts a wide range of input data formats and sample rates. A fully programmable data path routes these channels to the internal speaker drivers.

The TAS5721 is a slave-only device, receiving all clocks from external sources. The TAS5721 operates with a PWM carrier frequency between a 384-kHz switching rate and a 288-KHz switching rate, depending on the input sample rate. Oversampling, combined with a fourth-order noise shaper, provides a flat noise floor and excellent dynamic range from 20 Hz to 20 kHz.

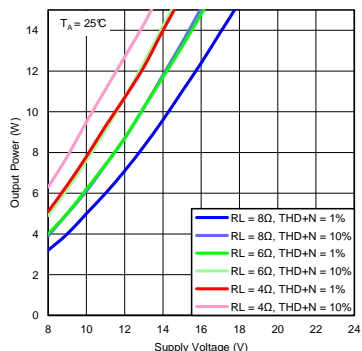
An integrated ground centered DirectPath™ combination headphone amplifier and 2V<sub>RMS</sub> line driver is integrated in the TAS5721.

### Device Information<sup>(1)</sup>

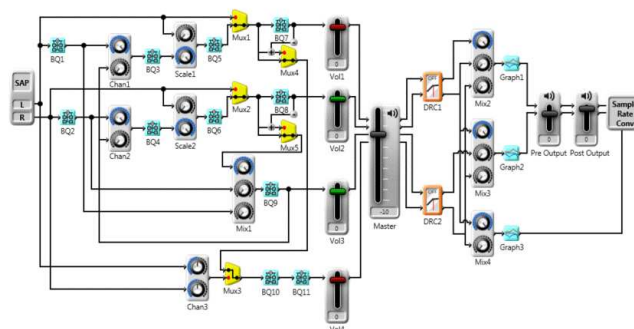
PART NUMBER	PACKAGE	BODY SIZE (NOM)
TAS5721	HTSSOP (48)	12.50 mm x 6.10 mm

(1) For all available packages, see the orderable addendum at the end of the data sheet.

### Output Power vs. PVDD in 2.0 Mode



### Signal Processing Flow



## Table of Contents

<b>1 Features</b> ..... 1 <b>2 Applications</b> ..... 1 <b>3 Description</b> ..... 1 <b>4 Revision History</b> ..... 2 <b>5 Device Comparison Table</b> ..... 3 <b>6 Pin Configuration and Functions</b> ..... 4 <b>7 Specifications</b> ..... 6 7.1 Absolute Maximum Ratings ..... 6 7.2 ESD Ratings ..... 6 7.3 Recommended Operating Conditions ..... 6 7.4 Thermal Information ..... 7 7.5 Electrical Characteristics – I/O Pin Characteristics... 7 7.6 Master Clock Characteristics ..... 8 7.7 Speaker Amplifier Characteristics ..... 8 7.8 Headphone Amplifier and Line Driver Characteristics ..... 9 7.9 Protection Characteristics ..... 9 7.10 I <sup>2</sup> C Serial Control Port Requirements and Specifications ..... 9 7.11 Serial Audio Port Timing ..... 9 7.12 Typical Characteristics ..... 12 <b>8 Parameter Measurement Information</b> ..... 20 <b>9 Detailed Description</b> ..... 21 9.1 Overview ..... 21	9.2 Functional Block Diagram ..... 21 9.3 Feature Description ..... 22 9.4 Device Functional Modes ..... 35 9.5 Programming ..... 36 9.6 Register Maps ..... 38 <b>10 Application and Implementation</b> ..... 57 10.1 Application Information ..... 57 10.2 Typical Application ..... 58 10.3 System Examples ..... 63 <b>11 Power Supply Recommendations</b> ..... 68 11.1 DVDD and AVDD Supplies ..... 68 11.2 PVDD Power Supply ..... 68 <b>12 Layout</b> ..... 68 12.1 Layout Guidelines ..... 68 12.2 Layout Example ..... 69 <b>13 Device and Documentation Support</b> ..... 70 13.1 Device Support ..... 70 13.2 Documentation Support ..... 70 13.3 Community Resources ..... 70 13.4 Trademarks ..... 70 13.5 Electrostatic Discharge Caution ..... 70 13.6 Glossary ..... 70 <b>14 Mechanical, Packaging, and Orderable          Information</b> ..... 70
--	---

## 4 Revision History

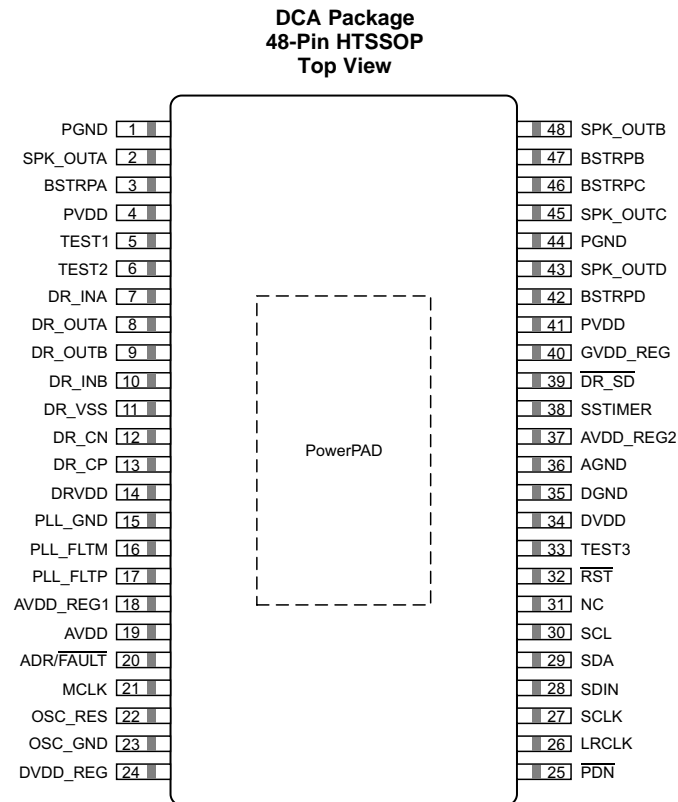
NOTE: Page numbers for previous revisions may differ from page numbers in the current version.

Changes from Original (July 2012) to Revision A	Page
<ul style="list-style-type: none"> <li>• Added <i>ESD Ratings</i> table, <i>Feature Description</i> section, <i>Device Functional Modes</i>, <i>Application and Implementation</i> section, <i>Power Supply Recommendations</i> section, <i>Layout</i> section, <i>Device and Documentation Support</i> section, and <i>Mechanical, Packaging, and Orderable Information</i> section. ....</li> </ul>	1

## 5 Device Comparison Table

	<b>TAS5721</b>	<b>TAS5731M</b>	<b>TAS5729MD</b>	<b>TAS5727</b>
Max. Power to Single-Ended Load	<b>10</b>	18		
Max. Power to Bridge Tied Load	<b>15</b>	37	20	35
Max. Power to Parallel Bridge Tied Load	<b>30</b>	70	40	70
Min. Supported Single-Ended Load	<b>4</b>	2		
Min. Supported Bridge Tied Load	<b>8</b>	4	4	4
Min. Supported Parallel Bridge Tied Load	<b>4</b>	2	4	2
Closed/Open Loop	<b>Open</b>	Open	Open	Open
Max Speaker Outputs (#)	<b>3</b>	3	2	2
Headphone Channels	<b>Yes</b>	No	Yes	No
Architecture	<b>Class D</b>	Class D	Class D	Class D
Dynamic Range Control (DRC)	<b>2-Band DRC</b>	2-Band DRC	2-Band AGL	2-Band AGL
Biquads (EQ)	<b>21</b>	21	28	28

## 6 Pin Configuration and Functions



### Pin Functions

PIN		TYPE <sup>(1)</sup>	TERMINATION	DESCRIPTION
NAME	NO.			
ADR/FAULT	20	DI/DO	-	Dual function terminal which sets the LSB of the I <sup>2</sup> C address to 0 if pulled to GND, 1 if pulled to DVDD. If configured to be a fault output by the methods described in <a href="#">I<sup>2</sup>C Address Selection and Fault Output</a> , this terminal is pulled low when an internal fault occurs. A pull-up or pull-down resistor is required, as is shown in the Typical Application Circuit Diagrams.
AGND	36	P	-	Ground reference for analog circuitry <sup>(2)</sup>
AVDD	19	P	-	Power supply for internal analog circuitry
AVDD_REG1	18	P	-	Voltage regulator derived from AVDD supply <sup>(3)</sup>
AVDD_REG2	37	P	-	Voltage regulator derived from AVDD supply <sup>(3)</sup>
BSTRPx	3, 42, 46, 47	P	-	Connection points for the bootstrap capacitors, which are used to create a power supply for the high-side gate drive of the device
DGND	35	P	-	Ground reference for digital circuitry <sup>(2)</sup>
DR_CN	12	P	-	Negative terminal for capacitor connection used in headphone amplifier and line driver charge pump
DR_CP	13	P	-	Positive terminal for capacitor connection used in headphone amplifier and line driver charge pump
DR_INx	7, 10	AI	-	Input for channel A or B of headphone amplifier or line driver
DR_OUTx	8, 9	AO	-	Output for channel A or B of headphone amplifier or line driver
DR_SD	39	DI	-	Places the headphone amplifier/line driver in shutdown when pulled low.

(1) TYPE: A = analog; D = 3.3-V digital; P = power/ground/decoupling; I = input; O = output

(2) This terminal should be connected to the system ground

(3) This terminal is provided as a connection point for filtering capacitors for this supply and must not be used to power any external circuitry.

**Pin Functions (continued)**

PIN		TYPE <sup>(1)</sup>	TERMINATION	DESCRIPTION
NAME	NO.			
DR_VSS	11	P	-	Negative supply generated by charge pump for ground centered headphone and line driver output
DRVDD	14	P	-	Power supply for internal headphone and line driver circuitry
DVDD	34	P	-	Power supply for the internal digital circuitry
DVDD_REG	24	P	-	Voltage regulator derived from DVDD supply <sup>(3)</sup>
GVDD_REG	40	P	-	Voltage regulator derived from PVDD supply <sup>(3)</sup>
LRCLK	26	DI	Pulldown	Word select clock for the digital signal that is active on the input data line of the serial port
MCLK	21	DI	Pulldown	Master clock used for internal clock tree and sub-circuit and state machine clocking
NC	31	-	-	Not connected inside the device (all no connect terminals should be connected to ground)
OSC_GND	23	P	-	Ground reference for oscillator circuitry (this terminal should be connected to the system ground)
OSC_RES	22	AO	-	Connection point for oscillator trim resistor
$\overline{\text{PDN}}$	25	DI	Pullup	Quick powerdown of the device that is used upon an unexpected loss of PVDD or DVDD power supply in order to quickly transition the outputs of the speaker amplifier to a 50/50 duty cycle. This quick powerdown feature avoids the audible anomalies that would occur as a result of loss of either of the supplies. If this pin is used to place the device into quick powerdown mode, the RST pin of the device must be toggled before the device is brought out of quick powerdown.
PGND	1	P	-	Ground reference for power device circuitry <sup>(2)</sup>
PLL_FLTM	16	AI/AO	-	Negative connection point for the PLL loop filter components
PLL_FLTP	17	AI/AO	-	Positive connection point for the PLL loop filter components
PLL_GND	15	P	-	Ground reference for PLL circuitry (this terminal should be connected to the system ground)
PowerPAD	-	P	-	Thermal and ground pad that provides both an electrical connection to the ground plane and a thermal path to the PCB for heat dissipation. This pad must be grounded to the system ground.
PVDD	4, 41	P	-	Power supply for internal power circuitry
$\overline{\text{RST}}$	32	DI	Pullup	Places the device in reset when pulled low
SCL	30	DI	-	I <sup>2</sup> C serial control port clock
SCLK	27	DI	Pulldown	Bit clock for the digital signal that is active on the input data line of the serial data port
SDA	29	DI/DO	-	I <sup>2</sup> C serial control port data
SDIN	28	DI	Pulldown	Data line to the serial data port
SPK_OUTx	2, 43, 45, 48	AO	-	Speaker amplifier outputs
SSTIMER	38	AI	-	Connection point for the capacitor that is used by the ramp timing circuit, as described in <a href="#">Output Mode and MUX Selection</a>
TEST1	5	DO	-	Used by TI for testing during device production (this terminal must be left floating)
TEST2	6	DO	-	Used by TI for testing during device production (this terminal must be left floating)
TEST3	33	DI	-	Used by TI for testing during device production (this terminal must be connected to GND)

## 7 Specifications

### 7.1 Absolute Maximum Ratings

over operating free-air temperature range (unless otherwise noted). <sup>(1)</sup>

		MIN	MAX	UNIT
Supply voltage	DVDD, AVDD, DRVDD	-0.3	3.6	V
	PVDD	-0.3	30	V
DR_INx		-0.3	DRVDD + 6	V
Input voltage	3.3-V digital input	-0.5	DVDD + 0.5	V
	5-V tolerant <sup>(2)</sup> digital input (except MCLK)	-0.5	DVDD + 2.5 <sup>(3)</sup>	
	5-V tolerant MCLK input	-0.5	AVDD + 2.5 <sup>(3)</sup>	
SPK_OUTx to GND			32 <sup>(4)</sup>	V
BSTRPx to GND			39 <sup>(4)</sup>	V
Operating free-air temperature		0	85	°C
Storage temperature, T <sub>stg</sub>		-40	125	°C

- (1) Stresses beyond those listed under *Absolute Maximum Ratings* may cause permanent damage to the device. These are stress ratings only and functional operation of the device at these or any other conditions beyond those indicated under *Recommended Operating Conditions* is not implied. Exposure to absolute-maximum conditions for extended periods may affect device reliability.
- (2) 5-V tolerant inputs are  $\overline{\text{PDN}}$ ,  $\overline{\text{RST}}$ , SCLK, LRCLK, MCLK, SDIN, SDA, and SCL.
- (3) Maximum pin voltage should not exceed 6 V.
- (4) DC voltage + peak AC waveform measured at the pin should be below the allowed limit for all conditions.

### 7.2 ESD Ratings

		VALUE	UNIT
V <sub>(ESD)</sub>	Electrostatic discharge	Human-body model (HBM), per ANSI/ESDA/JEDEC JS-001 <sup>(1)</sup>	±1000
		Charged-device model (CDM), per JEDEC specification JESD22-C101 <sup>(2)</sup>	±250

- (1) JEDEC document JEP155 states that 500-V HBM allows safe manufacturing with a standard ESD control process.
- (2) JEDEC document JEP157 states that 250-V CDM allows safe manufacturing with a standard ESD control process.

### 7.3 Recommended Operating Conditions

			MIN	NOM	MAX	UNIT
xVDD	Digital, analog, headphone supply voltage		3	3.3	3.6	V
PVDD	Half-bridge supply voltage		8		26.4 <sup>(1)</sup>	V
V <sub>IH</sub>	High-level input voltage	5-V tolerant	2			V
V <sub>IL</sub>	Low-level input voltage	5-V tolerant			0.8	V
T <sub>A</sub>	Operating ambient temperature		0		85	°C
T <sub>J</sub> <sup>(2)</sup>	Operating junction temperature		0		125	°C
R <sub>SPK</sub> (SE, BTL, and PBTL)	Minimum supported speaker impedance	Output filter: L = 15 µH, C = 330 nF	4	8		Ω
Lo(BTL)	Output-filter inductance	Minimum output inductance under short-circuit condition	10			µH
R <sub>HP</sub>	Headphone mode load impedance		16		32	Ω
R <sub>LD</sub>	Line-diver mode load impedance		0.6		10	kΩ

- (1) For operation at PVDD levels greater than 18 V, the modulation limit must be set to 93.8% via the control port register 0x10.
- (2) Continuous operation above the recommended junction temperature may result in reduced reliability and/or lifetime of the device.

## 7.4 Thermal Information

THERMAL METRIC <sup>(1)</sup>		TAS5721	
		DCA (HTSSOP)	
		48 PINS	
			UNIT
R <sub>θJA</sub>	Junction-to-ambient thermal resistance	27.9	°C/W
R <sub>θJC(top)</sub>	Junction-to-case (top) thermal resistance	20.7	°C/W
R <sub>θJB</sub>	Junction-to-board thermal resistance	13	°C/W
ψ <sub>JT</sub>	Junction-to-top characterization parameter	0.3	°C/W
ψ <sub>JB</sub>	Junction-to-board characterization parameter	6.7	°C/W
R <sub>θJC(bot)</sub>	Junction-to-case (bottom) thermal resistance	1.1	°C/W

(1) For more information about traditional and new thermal metrics, see the *Semiconductor and IC Package Thermal Metrics* application report, [SPRA953](#).

## 7.5 Electrical Characteristics – I/O Pin Characteristics

PVDD = 18 V, AVDD = DRVDD = DVDD = 3.3 V, external components per *Typical Application* diagrams, and in accordance with recommended operating conditions (unless otherwise specified).

PARAMETER		TEST CONDITIONS	MIN	TYP	MAX	UNIT
V <sub>OH</sub>	High-level output voltage	I <sub>OH</sub> = -4 mA DVDD = AVDD = 3 V	2.4			V
V <sub>OL</sub>	Low-level output voltage					
I <sub>IL</sub>	Low-level input current	Digital Inputs V <sub>I</sub> < V <sub>IL</sub> ; DVDD = AVDD = 3.6 V				μA
I <sub>IH</sub>	High-level input current					
I <sub>DD</sub>	3.3 V supply current	3.3 V supply voltage (DVDD, AVDD) Normal mode Reset ( $\overline{\text{RST}}$ = low, $\overline{\text{PDN}}$ = high, $\overline{\text{DR\_SD}}$ = low)				mA
t <sub>w(RST)</sub>	Pulse duration, $\overline{\text{RST}}$ active	$\overline{\text{RST}}$	100			μs
t <sub>d(I2C_ready)</sub>	Time before the I <sup>2</sup> C port is able to communicate after $\overline{\text{RST}}$ goes high				12	ms

## 7.6 Master Clock Characteristics<sup>(1)</sup>

PVDD = 18 V, AVDD = DRVDD = DVDD = 3.3 V, external components per [Typical Application](#) diagrams, and in accordance with recommended operating conditions (unless otherwise specified).

PARAMETER		TEST CONDITIONS	MIN	TYP	MAX	UNIT
f <sub>MCLK</sub>	MCLK frequency		2.8224		24.576	MHz
	MCLK duty cycle		40%	50%	60%	
t <sub>r(MCLK)</sub> / t <sub>f(MCLK)</sub>		Rise/fall time for MCLK			5	ns

(1) For clocks related to the serial audio port, please see [Serial Audio Port Timing](#)

## 7.7 Speaker Amplifier Characteristics

T<sub>A</sub> = 25°C, PVDD = 18 V, AVDD = DRVDD = DVDD = 3.3 V, audio input signal = 1 kHz sine wave, BTL, AD mode, f<sub>s</sub> = 48 kHz, R<sub>SPK</sub> = 8 Ω, AES17 filter, f<sub>PWM</sub> = 384 kHz, external components per [Typical Application](#) diagrams, and in accordance with recommended operating conditions (unless otherwise specified).

PARAMETER		TEST CONDITIONS	MIN	TYP	MAX	UNIT
P <sub>OSPK</sub> (BTL)	Power output per channel of speaker amplifier when used in BTL mode <sup>(1)</sup>	PVDD = 18 V, R <sub>SPK</sub> = 8Ω, 1-kHz input signal		10		W
		PVDD = 12 V, R <sub>SPK</sub> = 8Ω, 10% THD+N, 1-kHz input signal		8.8		
		PVDD = 12 V, R <sub>SPK</sub> = 8Ω, 7% THD+N, 1-kHz input signal		8.3		
		PVDD = 8 V, R <sub>SPK</sub> = 8Ω, 10% THD+N, 1-kHz input signal		4		
		PVDD = 8 V, R <sub>SPK</sub> = 8Ω, 7% THD+N, 1-kHz input signal		3.8		
P <sub>OSPK</sub> (PBTL)	Power output per channel of speaker amplifier when used in PBTL mode <sup>(1)</sup>	PVDD = 12 V, R <sub>SPK</sub> = 4Ω, 10% THD+N, 1-kHz input signal		10		W
		PVDD = 12 V, R <sub>SPK</sub> = 4Ω, 7% THD+N, 1-kHz input signal		10		
		PVDD = 18 V, R <sub>SPK</sub> = 4Ω, 1-kHz input signal		10		
P <sub>OSPK</sub> (SE)	Power output per channel of speaker amplifier when used in SE mode <sup>(1)</sup>	PVDD = 12 V, R <sub>SPK</sub> = 4 Ω, 10% THD+N, 1-kHz input signal		4.3		W
		PVDD = 24 V, R <sub>SPK</sub> = 4 Ω, 10% THD+N, 1-kHz input signal		5.5		
THD+N	Total harmonic distortion + noise	PVDD = 18 V, P <sub>O</sub> = 1 W		0.07%		
		PVDD = 12 V, P <sub>O</sub> = 1 W		0.11%		
		PVDD = 8 V, P <sub>O</sub> = 1 W		0.2%		
ICN	Idle channel noise	A-weighted		61		μV
	Crosstalk	P <sub>O</sub> = 1 W, f = 1 kHz (BD Mode), PVDD = 24 V		58		dB
		P <sub>O</sub> = 1 W, f = 1 kHz (AD Mode), PVDD = 24 V		48		dB
SNR	Signal-to-noise ratio <sup>(2)</sup>	A-weighted, f = 1 kHz, maximum power at THD < 1%		106		dB
f <sub>PWM</sub>	Output switching frequency	11.025/22.05/44.1-kHz data rate ±2%		352.8		kHz
		48/24/12/8/16/32-kHz data rate ±2%		384		
I <sub>PVDD</sub>	Supply current	No load (PVDD)	Normal mode	32	50	mA
			Reset (RST = low, PDN = high)	5	8	
r <sub>DS(on)</sub>	Drain-to-source resistance (for each of the Low-Side and High-Side Devices)	T <sub>J</sub> = 25°C, includes metallization resistance		200		mΩ
R <sub>PD</sub>	Internal pulldown resistor at the output of each half-bridge	Connected when drivers are in the high-impedance state to provide bootstrap capacitor charge.		3		kΩ

(1) Power levels are thermally limited.

(2) SNR is calculated relative to 0-dBFS input level.



## 7.8 Headphone Amplifier and Line Driver Characteristics

$T_A = 25^\circ\text{C}$ ,  $PVDD = 18\text{ V}$ ,  $AVDD = DRVDD = DVDD = 3.3\text{ V}$ , audio input signal = 1 kHz sine wave, BTL, AD mode,  $f_s = 48\text{ kHz}$ ,  $R_{SPK} = 8\ \Omega$ , AES17 filter,  $f_{PWM} = 384\text{ kHz}$ , external components per [Typical Application](#) diagrams, and in accordance with recommended operating conditions (unless otherwise specified).

PARAMETER		TEST CONDITIONS	MIN	TYP	MAX	UNIT
$PO_{HP}$	Power output per channel of headphone amplifier	$DRVDD = 3.3\text{ V}$ ( $R_{HP} = 32$ ; $THD = 1\%$ )		50		mW
$AV_{DR}$	Gain for headphone amplifier and line driver	Adjustable through $R_{in}$ and $R_{fb}$		-		dB
$SNR_{HP}$	Signal-to-noise ratio (headphone mode)	$R_{HP} = 32$		101		dB
$SNR_{LD}$	Signal-to-noise ratio (line driver mode)	$2 \cdot V_{RMS}$ output		105		dB

## 7.9 Protection Characteristics

$T_A = 25^\circ\text{C}$ ,  $PVDD = 18\text{ V}$ ,  $AVDD = DRVDD = DVDD = 3.3\text{ V}$ , audio input signal = 1 kHz sine wave, BTL, AD mode,  $f_s = 48\text{ kHz}$ ,  $R_{SPK} = 8\ \Omega$ , AES17 filter,  $f_{PWM} = 384\text{ kHz}$ , external components per [Typical Application](#) diagrams, and in accordance with recommended operating conditions (unless otherwise specified).

			MIN	TYP	MAX	UNIT
$V_{uvp(fall)}$	Undervoltage protection limit	PVDD falling		4		V
$V_{uvp(rise)}$	Undervoltage protection limit	PVDD rising		4.1		V
OTE	Overtemperature error threshold			150		$^\circ\text{C}$
$\Delta\text{OTE}$	Variation in overtemperature detection circuit			$\pm 15$		$^\circ\text{C}$
$I_{OCE}$	Overcurrent limit protection threshold			3		A
$t_{OCE}$	Overcurrent response time			150		ns

## 7.10 I<sup>2</sup>C Serial Control Port Requirements and Specifications

$PVDD = 18\text{ V}$ ,  $AVDD = DRVDD = DVDD = 3.3\text{ V}$ , external components per [Typical Application](#) diagrams, and in accordance with recommended operating conditions (unless otherwise specified).

			MIN	MAX	UNIT
$f_{SCL}$	Frequency, SCL	No wait states		400	kHz
$t_{w(H)}$	Pulse duration, SCL high		0.6		$\mu\text{s}$
$t_{w(L)}$	Pulse duration, SCL low		1.3		$\mu\text{s}$
$t_r$	Rise time, SCL and SDA			300	ns
$t_f$	Fall time, SCL and SDA			300	ns
$t_{su1}$	Setup time, SDA to SCL		100		ns
$t_{h1}$	Hold time, SCL to SDA		0		ns
$t_{(buf)}$	Bus free time between stop and start conditions		1.3		$\mu\text{s}$
$t_{su2}$	Setup time, SCL to start condition		0.6		$\mu\text{s}$
$t_{h2}$	Hold time, start condition to SCL		0.6		$\mu\text{s}$
$t_{su3}$	Setup time, SCL to stop condition		0.6		$\mu\text{s}$
$C_L$	Load capacitance for each bus line			400	pF

## 7.11 Serial Audio Port Timing

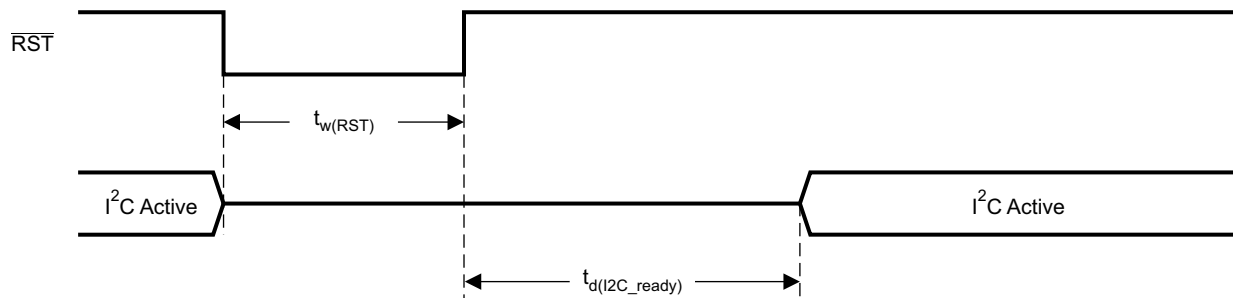
$PVDD = 18\text{ V}$ ,  $AVDD = DRVDD = DVDD = 3.3\text{ V}$ , audio input signal = 1 kHz sine wave, BTL, AD mode,  $f_s = 48\text{ kHz}$ ,  $R_{SPK} = 8\ \Omega$ , AES17 filter,  $f_{PWM} = 384\text{ kHz}$ , external components per [Typical Application](#) diagrams, and in accordance with recommended operating conditions (unless otherwise specified).

			MIN	TYP	MAX	UNIT
$f_{SCLKIN}$	Frequency, SCLK $32 \times f_s$ , $48 \times f_s$ , $64 \times f_s$	$C_L = 30\text{ pF}$	1.024		12.288	MHz
$t_{su1}$	Setup time, LRCLK to SCLK rising edge		10			ns
$t_{h1}$	Hold time, LRCLK from SCLK rising edge		10			ns
$t_{su2}$	Setup time, SDIN to SCLK rising edge		10			ns
$t_{h2}$	Hold time, SDIN from SCLK rising edge		10			ns

### Serial Audio Port Timing (continued)

PVDD = 18 V, AVDD = DRVDD = DVDD = 3.3 V, audio input signal = 1 kHz sine wave, BTL, AD mode,  $f_s = 48$  kHz,  $R_{SPK} = 8 \Omega$ , AES17 filter,  $f_{PWM} = 384$  kHz, external components per *Typical Application* diagrams, and in accordance with recommended operating conditions (unless otherwise specified).

		MIN	TYP	MAX	UNIT
LRCLK frequency		8	48	48	kHz
SCLK duty cycle		40%	50%	60%	
LRCLK duty cycle		40%	50%	60%	
SCLK rising edges between LRCLK rising edges		32		64	SCLK edges
$t_{(edge)}$	LRCLK clock edge with respect to the falling edge of SCLK	-1/4		1/4	SCLK period
$t_r/t_f$	Rise/fall time for SCLK/LRCLK			8	ns
	LRCLK allowable drift before LRCLK reset			4	MCLK Periods



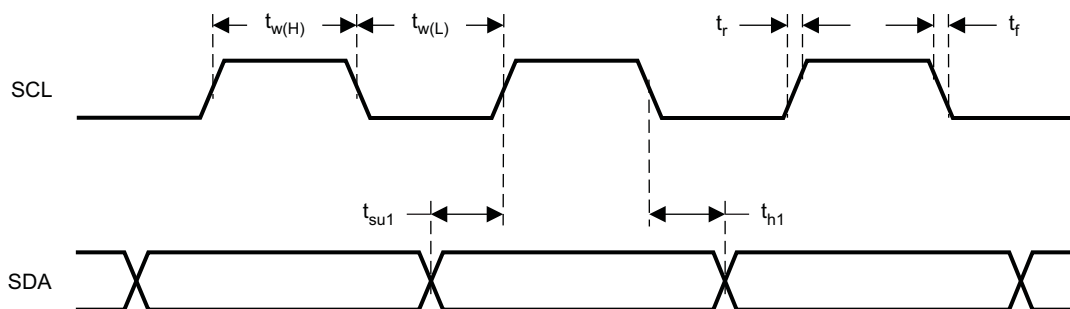
System Initialization.  
Enable via I<sup>2</sup>C.

T0421-01

NOTE: On power up, it is recommended that the TAS5721  $\overline{RST}$  be held LOW for at least 100  $\mu$ s after DVDD has reached 3 V.

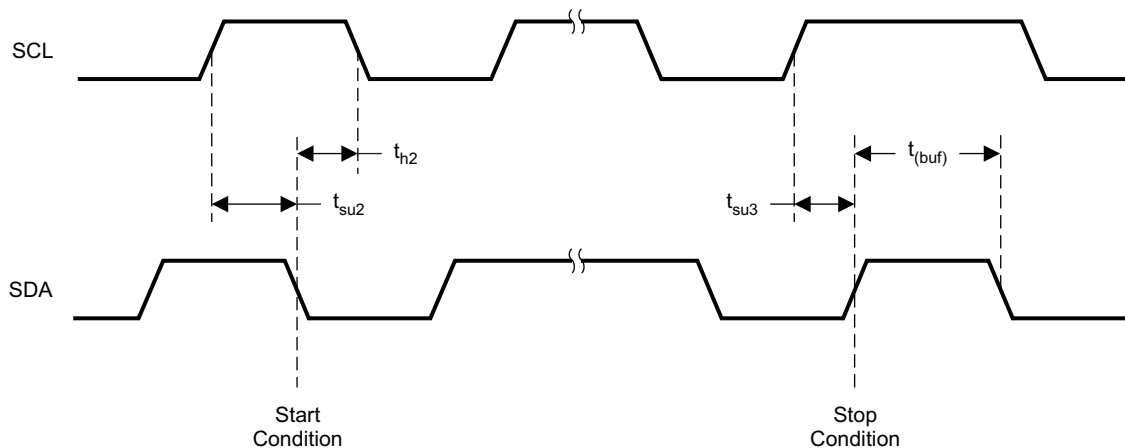
NOTE: If  $\overline{RST}$  is asserted LOW while  $\overline{PDN}$  is LOW, then  $\overline{RST}$  must continue to be held LOW for at least 100  $\mu$ s after  $\overline{PDN}$  is deasserted (HIGH).

Figure 1. Reset Timing



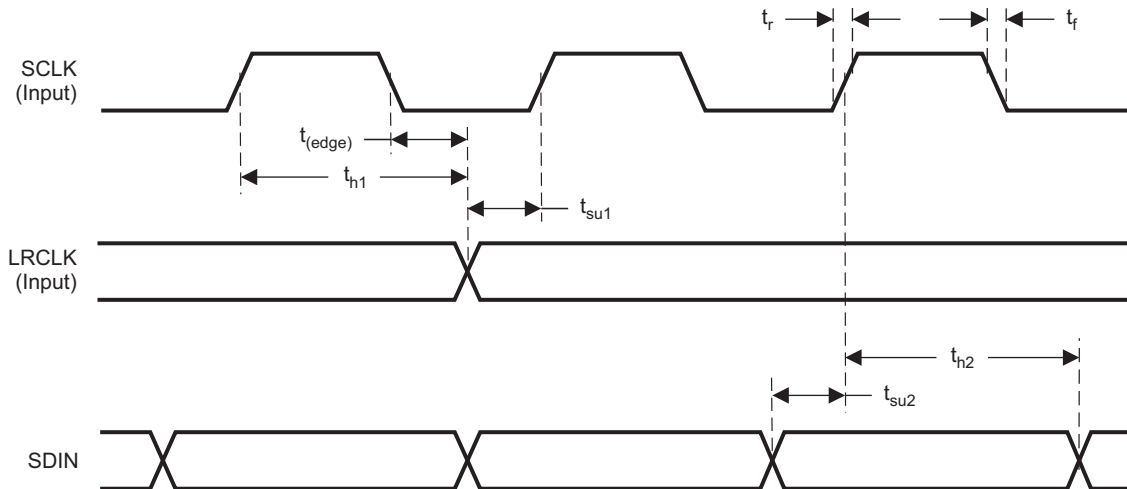
T0027-01

Figure 2. SCL and SDA Timing



T0028-01

Figure 3. Start and Stop Conditions Timing



T0026-04

Figure 4. Serial Audio Port Timing

## 7.12 Typical Characteristics

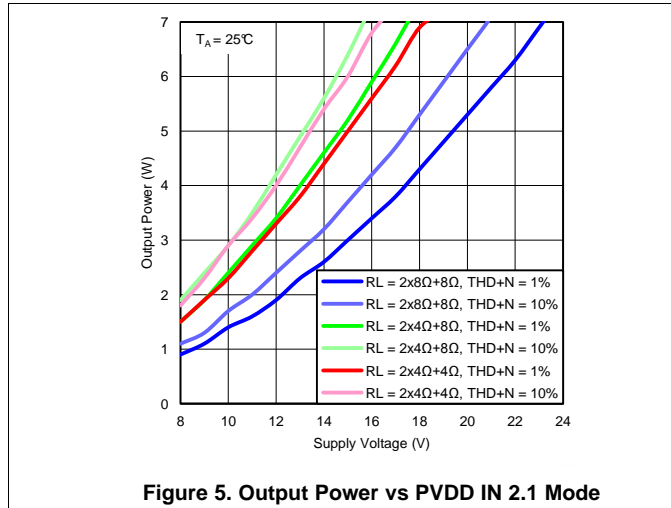


Figure 5. Output Power vs PVDD IN 2.1 Mode

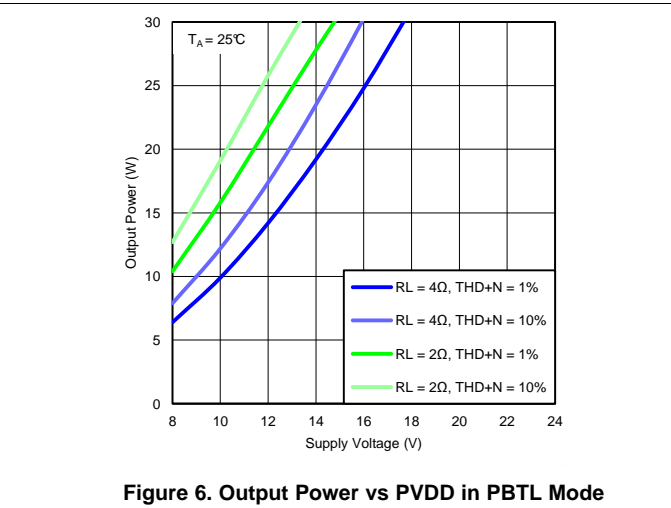


Figure 6. Output Power vs PVDD in PBTL Mode

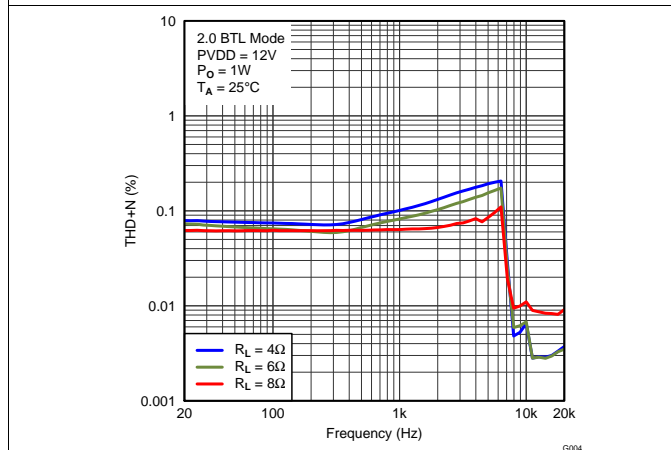


Figure 7. Total Harmonic Distortion + Noise vs Frequency in 2.0 Mode With PVDD = 12 V

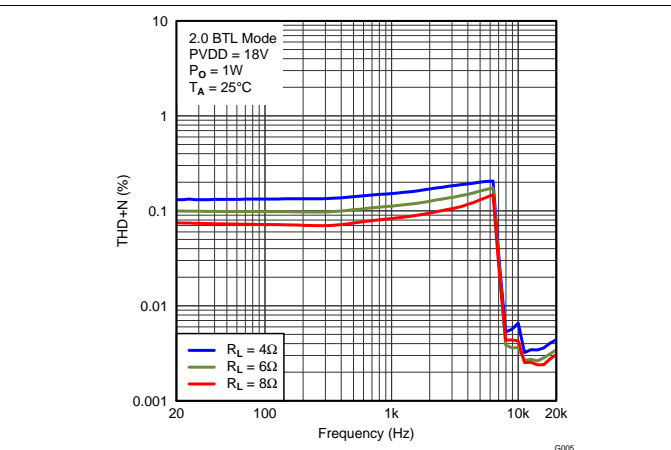


Figure 8. Total Harmonic Distortion + Noise vs Frequency in 2.0 Mode With PVDD = 18 V

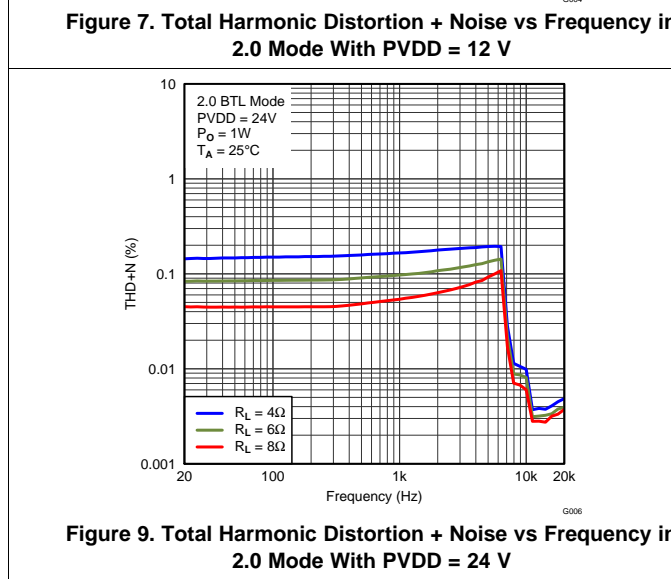


Figure 9. Total Harmonic Distortion + Noise vs Frequency in 2.0 Mode With PVDD = 24 V

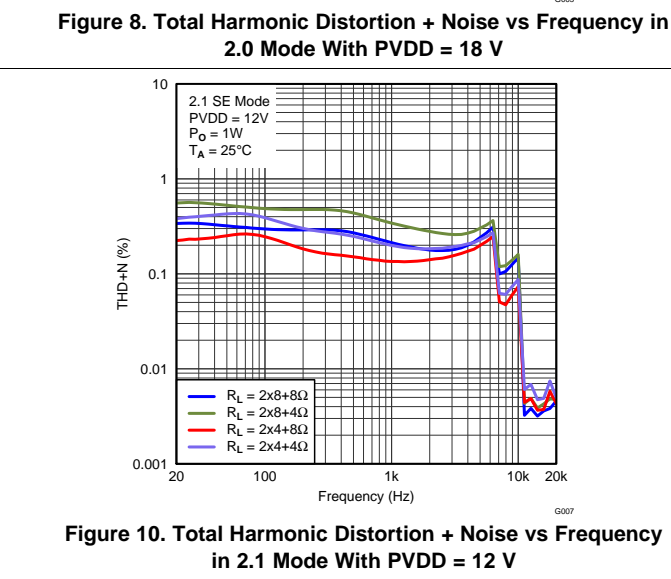


Figure 10. Total Harmonic Distortion + Noise vs Frequency in 2.1 Mode With PVDD = 12 V

Typical Characteristics (continued)

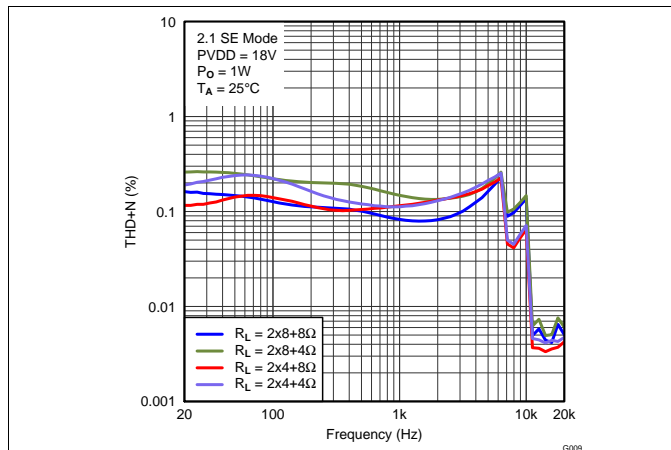


Figure 11. Total Harmonic Distortion + Noise vs Frequency in 2.1 Mode With PVDD = 18 V

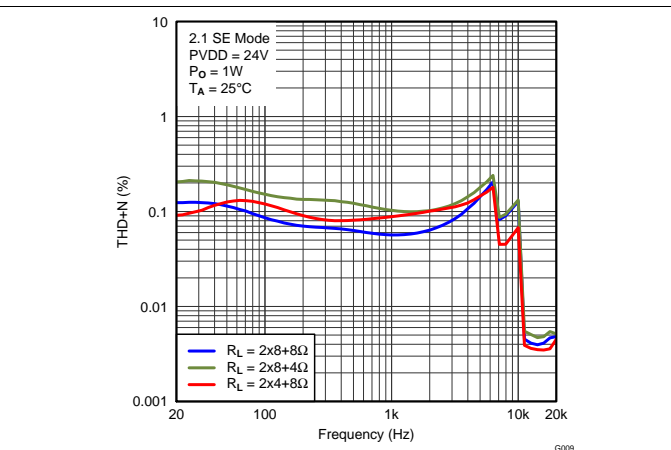


Figure 12. Total Harmonic Distortion + Noise vs Frequency in 2.1 Mode With PVDD = 24 V

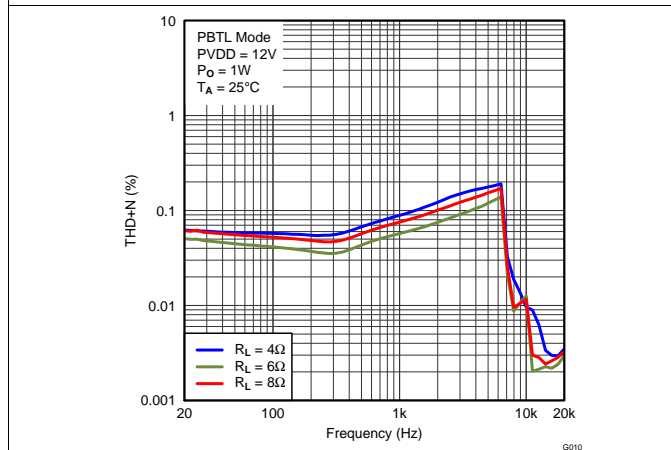


Figure 13. Total Harmonic Distortion + Noise vs Frequency in PBTL Mode With PVDD = 12 V

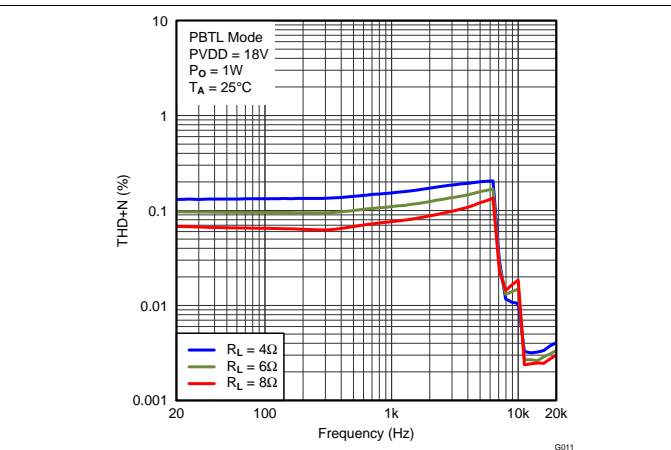


Figure 14. Total Harmonic Distortion + Noise vs Frequency in PBTL Mode With PVDD = 18 V

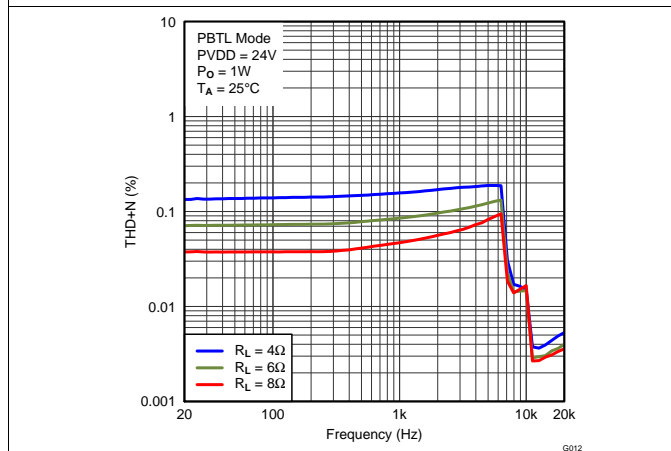


Figure 15. Total Harmonic Distortion + Noise vs Frequency in PBTL Mode With PVDD = 24 V

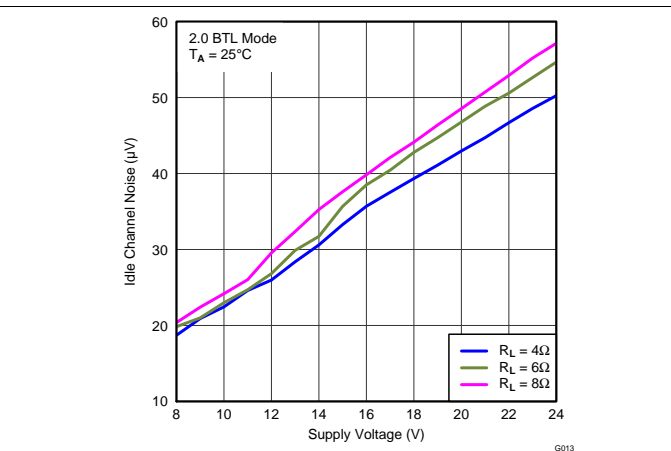


Figure 16. 2.0 Idle Channel Noise vs PVDD

Typical Characteristics (continued)

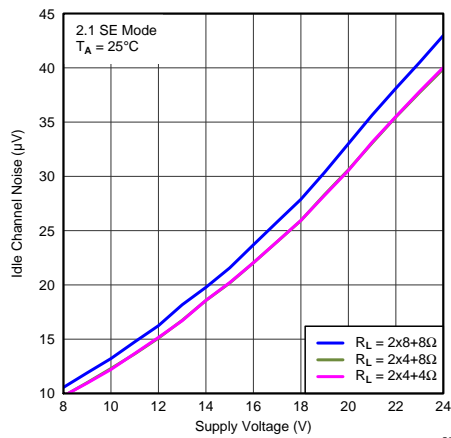


Figure 17. 2.1 Idle Channel Noise vs PVDD

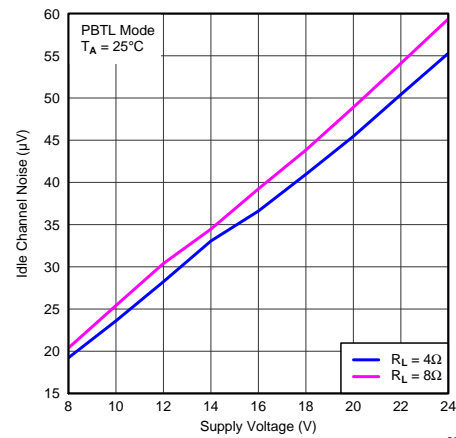


Figure 18. PBTL Idle Channel Noise vs PVDD

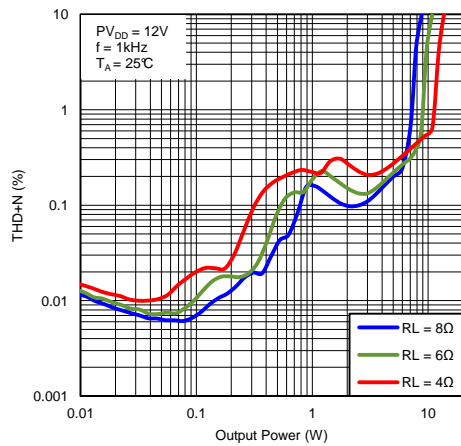


Figure 19. Total Harmonic Distortion + Noise vs Output Power in 2.0 Mode With PVDD = 12 V

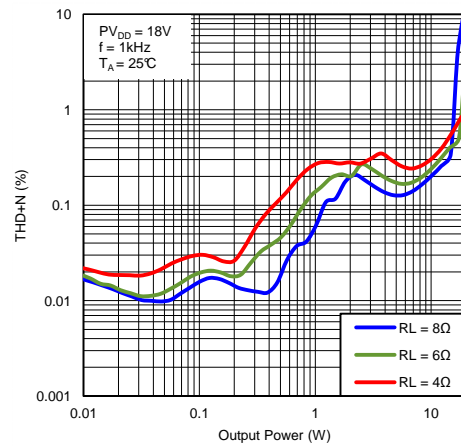


Figure 20. Total Harmonic Distortion + Noise vs Output Power in 2.0 Mode With PVDD = 18 V

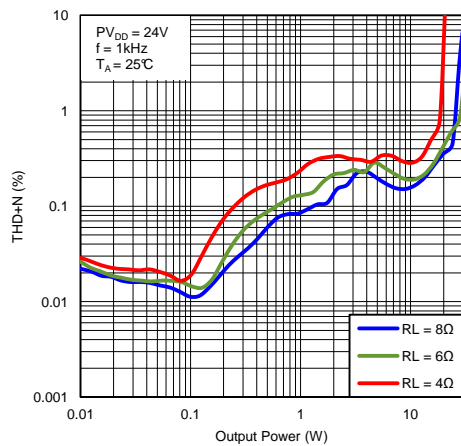


Figure 21. Total Harmonic Distortion + Noise vs Output Power in 2.0 Mode With PVDD = 24 V

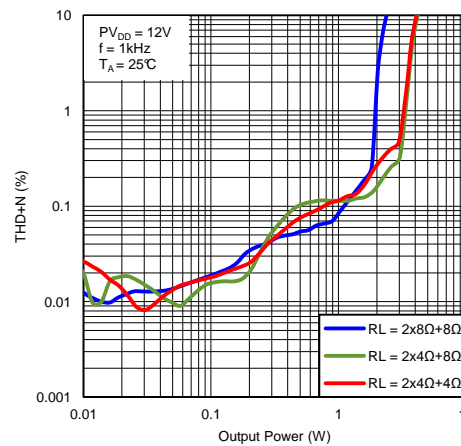


Figure 22. Total Harmonic Distortion + Noise vs Output Power in 2.1 Mode With PVDD = 12 V

Typical Characteristics (continued)

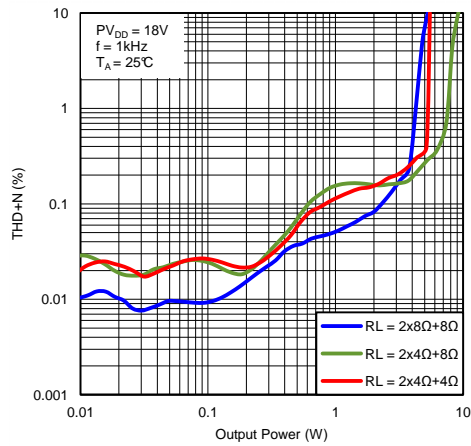


Figure 23. Total Harmonic Distortion + Noise vs Output Power in 2.1 Mode With PVDD = 18 V

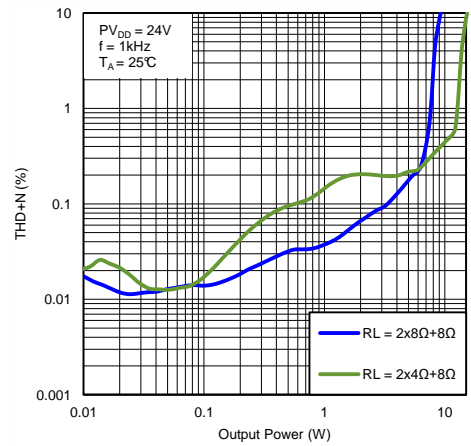


Figure 24. Total Harmonic Distortion + Noise vs Output Power in 2.1 Mode With PVDD = 24 V

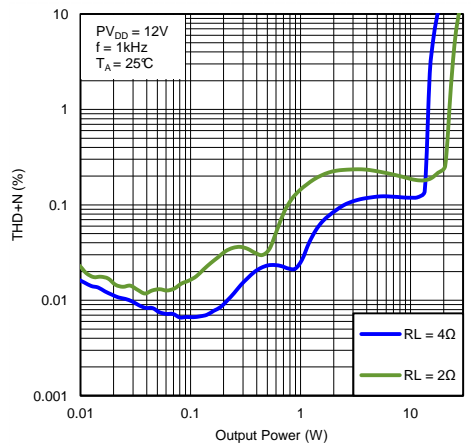


Figure 25. Total Harmonic Distortion + Noise vs Output Power in PBTL Mode With PVDD = 12 V

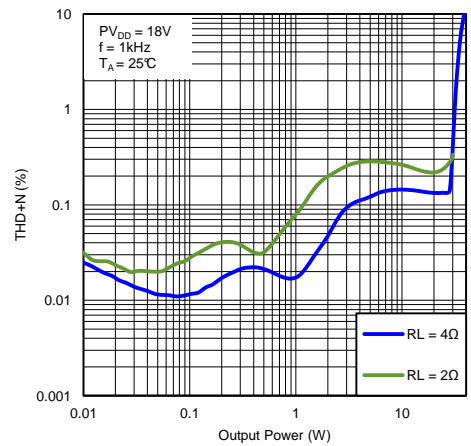


Figure 26. Total Harmonic Distortion + Noise vs Output Power in PBTL Mode With PVDD = 18 V

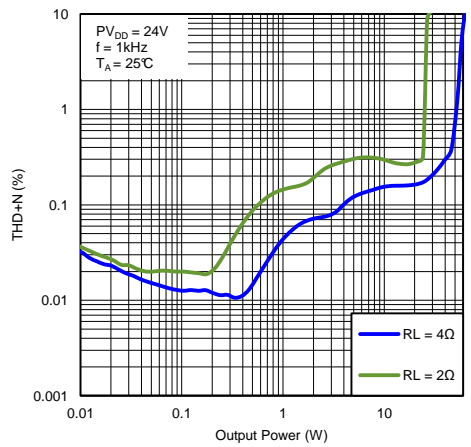
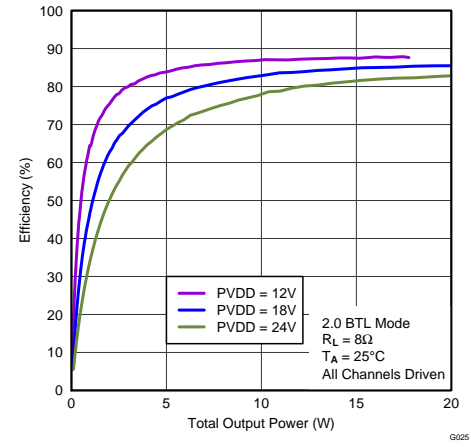


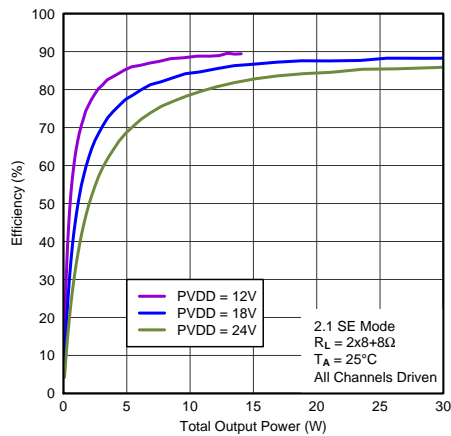
Figure 27. Total Harmonic Distortion + Noise vs Output Power in PBTL Mode With PVDD = 24 V



All channels driven

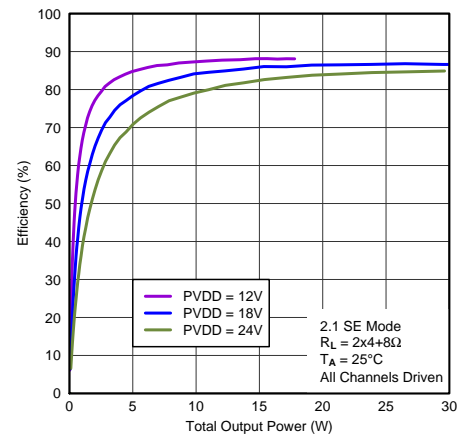
Figure 28. Efficiency vs Output Power in 2.0 Mode

Typical Characteristics (continued)



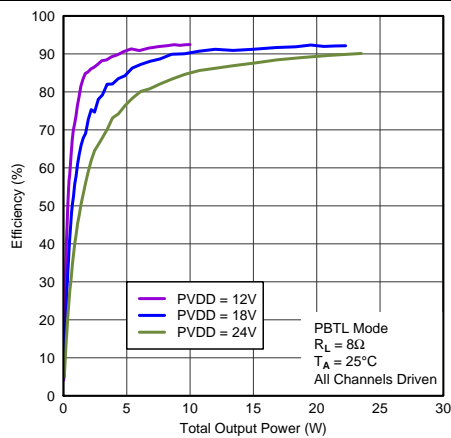
All channels driven

Figure 29. Efficiency vs Output Power in 2.1 Mode



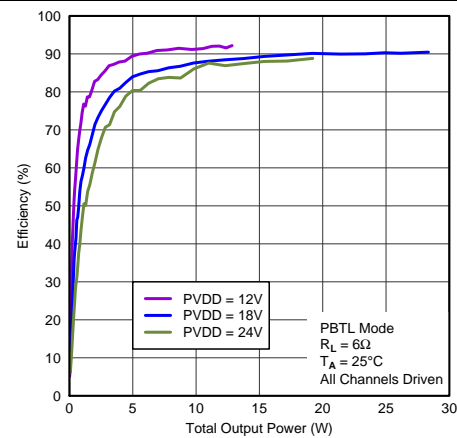
All channels driven

Figure 30. Efficiency vs Output Power in 2.1 Mode



All channels driven

Figure 31. Efficiency vs Output Power in PBTL Mode



All channels driven

Figure 32. Efficiency vs Output Power in PBTL Mode

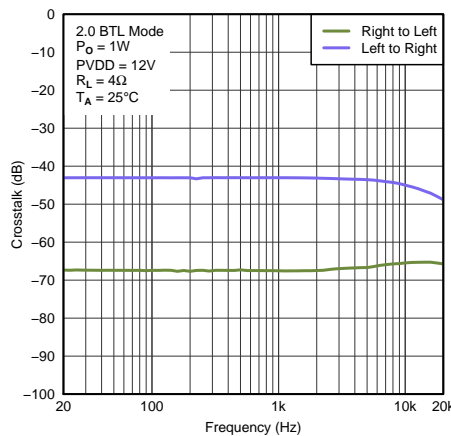


Figure 33. Crosstalk vs Frequency in 2.0 Mode

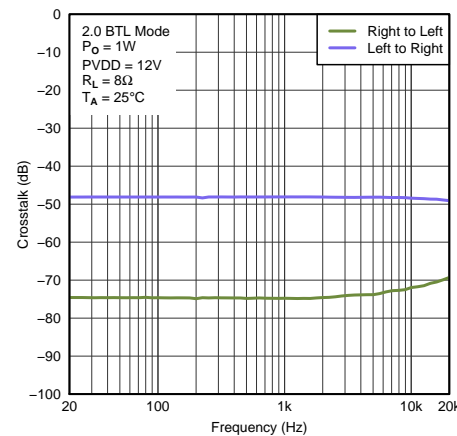


Figure 34. Crosstalk vs Frequency in 2.0 Mode



Typical Characteristics (continued)

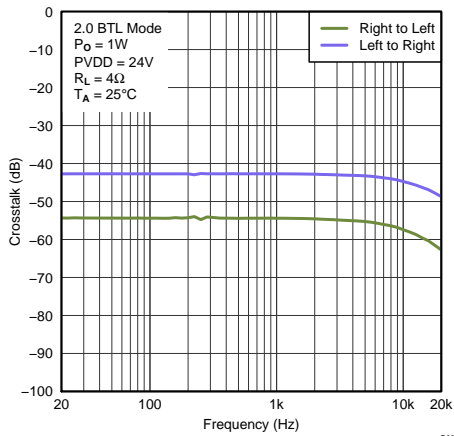


Figure 35. Crosstalk vs Frequency in 2.0 Mode

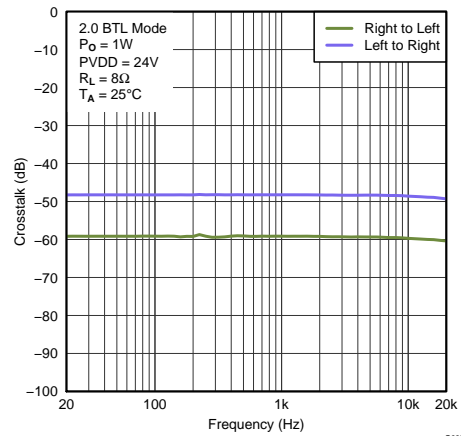


Figure 36. Crosstalk vs Frequency in 2.0 Mode

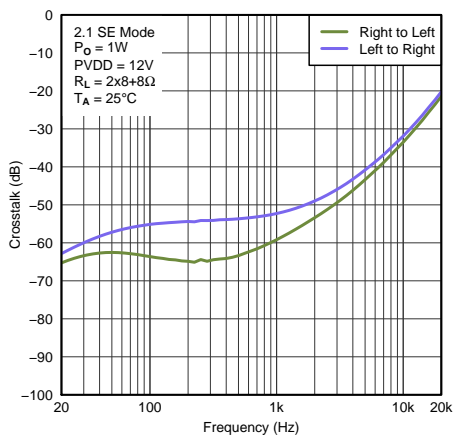


Figure 37. Crosstalk vs Frequency in 2.1 Mode

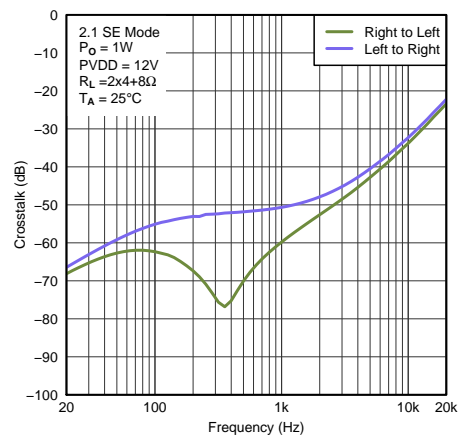


Figure 38. Crosstalk vs Frequency in 2.1 Mode

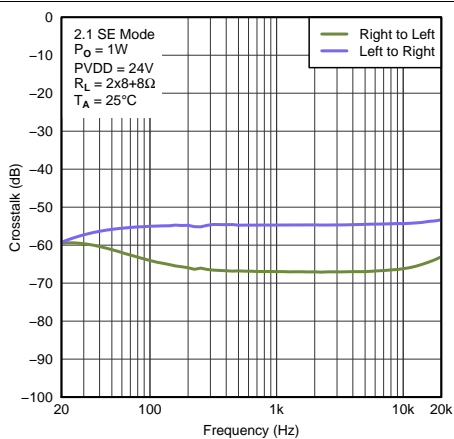


Figure 39. Crosstalk vs Frequency in 2.1 Mode

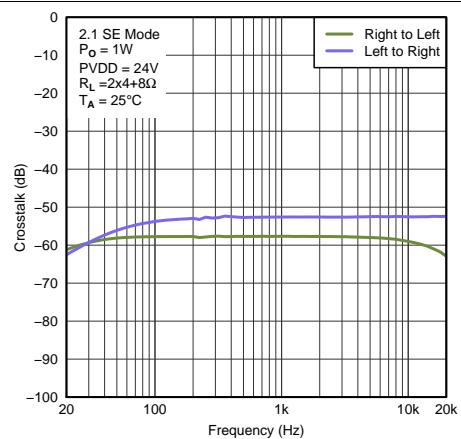


Figure 40. Crosstalk vs Frequency in 2.1 Mode

7.12.1 Headphone Typical Characteristics

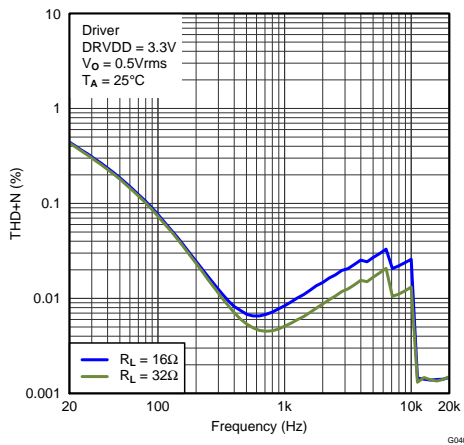


Figure 41. Total Harmonic Distortion + Noise vs Frequency Headphone With DRVDD = 3.3 V

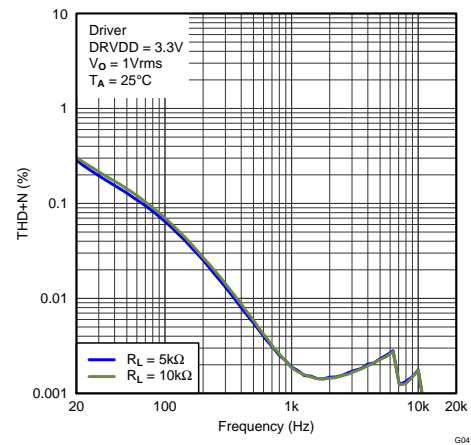


Figure 42. Total Harmonic Distortion + Noise vs Frequency Headphone With DRVDD = 3.3 V

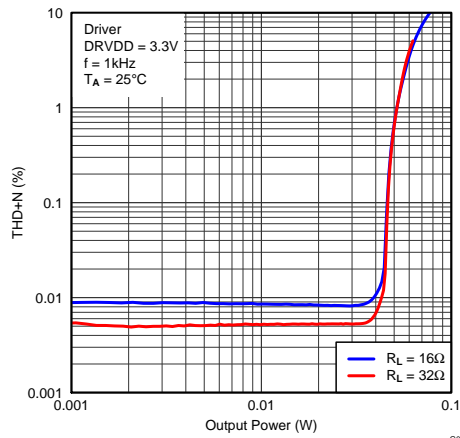


Figure 43. Total Harmonic Distortion + Noise vs Output Power Headphone With DRVDD = 3.3 V

7.12.2 Line Driver Typical Characteristics

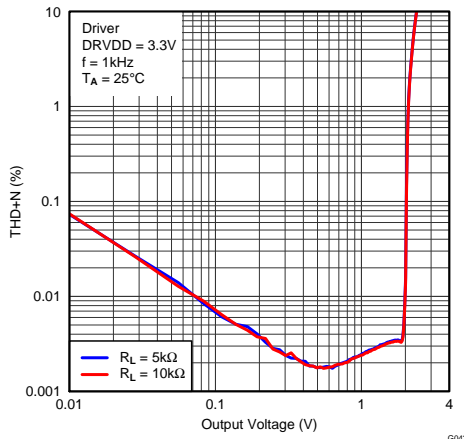


Figure 44. Total Harmonic Distortion + Noise vs Output Voltage Headphone With DRVDD = 3.3 V

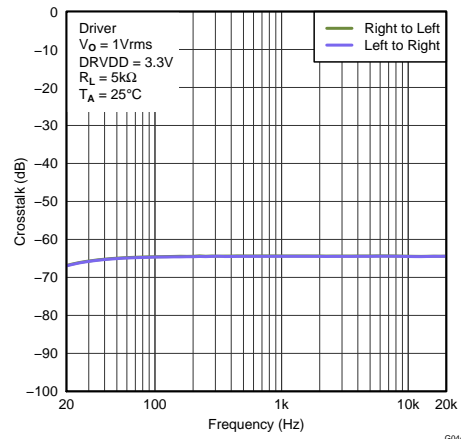


Figure 45. Crosstalk vs Frequency Headphone With DRVDD = 3.3 V

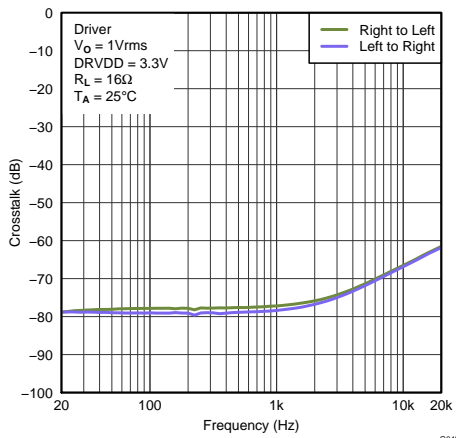


Figure 46. Crosstalk vs Frequency Headphone With DRVDD = 3.3 V

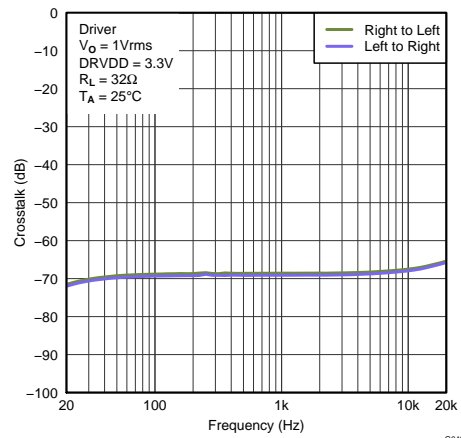


Figure 47. Crosstalk vs Frequency Headphone With DRVDD = 3.3 V

## 8 Parameter Measurement Information

All parameters are measured according to the conditions described in the [Specifications](#) section.

## 9 Detailed Description

### 9.1 Overview

The TAS5721 device is an efficient stereo I2S input Class-D audio power amplifier with a digital audio processor and a DirectPath headphone/line driver.

The digital audio processor of the device uses noise shaping and customized correction algorithms to achieve a great power efficiency and high audio performance. Also, the device has up to eight Equalizers per channel and two -band configurable Dynamic Range Control (DRC).

The device needs only a single DVDD supply in addition to the higher-voltage PVDD power supply. An internal voltage regulator provides suitable voltage levels for the gate drive circuit. The wide PVDD power supply range of the device enables its use in a multitude of applications.

The device has an integrated DirectPath headphone amplifier / line driver to increase system level integration and reduce total solution costs. DirectPath architecture eliminates the requirement for external dc-blocking output capacitors.

The TAS5721 device is a slave-only device that is controlled by a bidirectional I2C interface that supports both 100-kHz and 400-kHz data transfer rates for single- and multiple-byte write and read operations. This control interface is used to program the registers of the device and read the device status. The PWM of this device operates with a carrier frequency between 384 kHz and 354 kHz, depending the sampling rate. This device allows the use of the same clock signal for both MCLK and BCLK (64xFs) when using a sampling frequency of 44.1 kHz or 48 kHz.

This device can be used in three different modes of operation, Stereo BTL Mode, Single Filter PBTL Mono Mode, and 2.1 Mode.

### 9.2 Functional Block Diagram

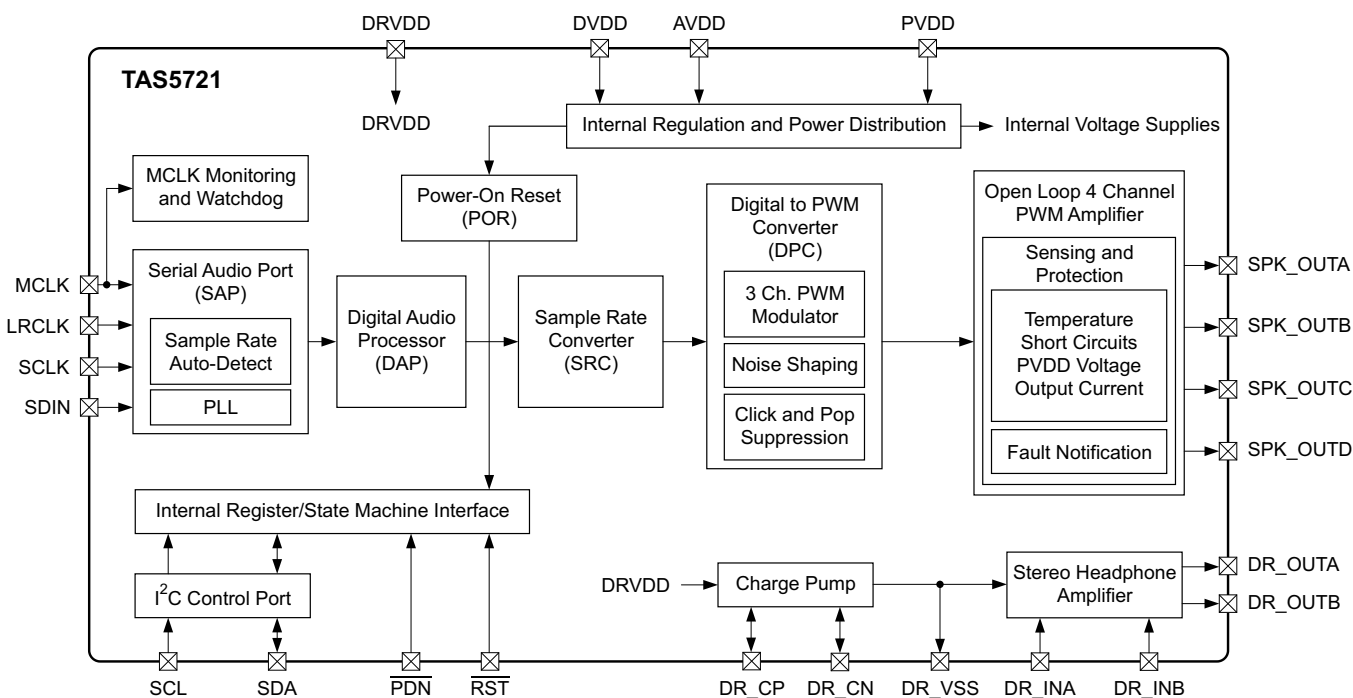


Figure 48. Functional Block Diagram

## Functional Block Diagram (continued)

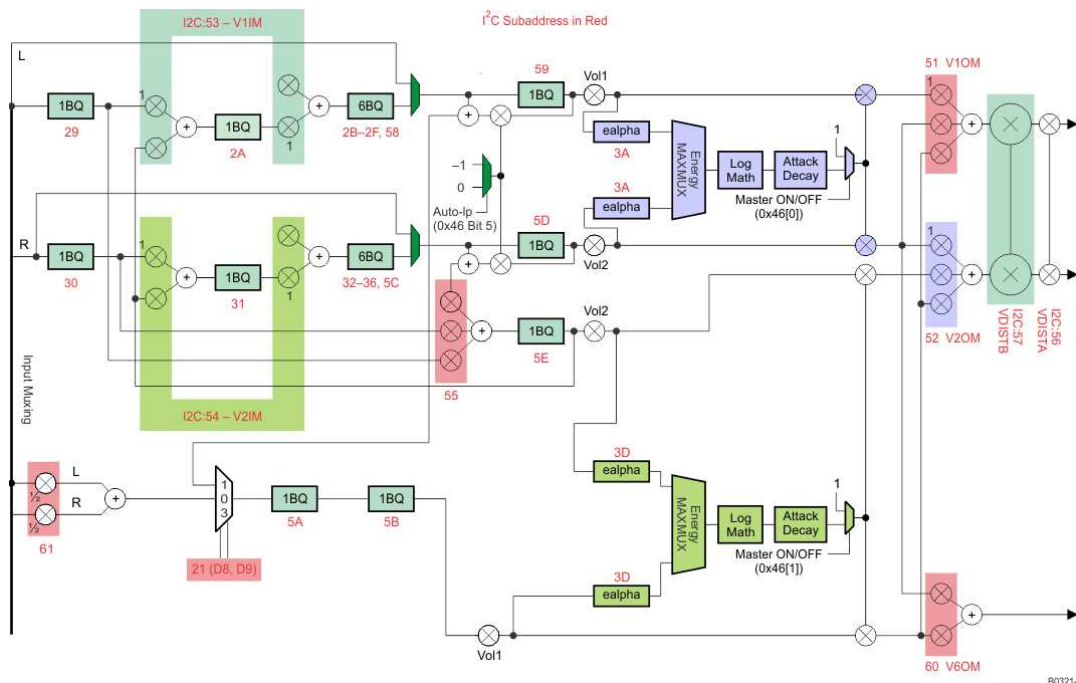


Figure 49. DAP Process Structure

## 9.3 Feature Description

### 9.3.1 Power Supply

To facilitate system design, the TAS5721 needs only a 3.3-V supply in addition to the PVDD power-stage supply. The required sequencing of the power supplies is shown in the [Recommended Use Model](#) section. An internal voltage regulator provides suitable voltage levels for the gate drive circuitry. Additionally, all circuitry requiring a floating voltage supply, for example, the high-side gate drive, is accommodated by built-in bootstrap circuitry requiring only a few external capacitors.

In order to provide good electrical and acoustical characteristics, the PWM signal path for the output stage is designed as identical, independent half-bridges. For this reason, each half-bridge has separate bootstrap pins (BSTRPx) and power-stage supply pins (PVDD). The gate drive voltage (GVDD\_REG) is derived from the PVDD voltage. Special attention should be paid to placing all decoupling capacitors as close to their associated pins as possible. In general, inductance between the power-supply pins and decoupling capacitors must be avoided.

For a properly functioning bootstrap circuit, a small ceramic capacitor must be connected from each bootstrap pin (BSTRPx) to the power-stage output pin (SPK\_OUTx). When the power-stage output is low, the bootstrap capacitor is charged through an internal diode connected between the gate-drive regulator output pin (GVDD\_X) and the bootstrap pin. When the power-stage output is high, the bootstrap capacitor potential is shifted above the output potential and thus provides a suitable voltage supply for the high-side gate driver. As shown in the [Typical Application](#) section, it is recommended to use ceramic capacitors, for the bootstrap supply pins. These capacitors ensure sufficient energy storage, even during minimal PWM duty cycles, to keep the high-side power stage FET (LDMOS) fully turned on during the remaining part of the PWM cycle.

Special attention should be paid to the power-stage power supply; this includes component selection, PCB placement, and routing. As indicated, each half-bridge has independent power-stage supply pins (PVDD). For optimal electrical performance, EMI compliance, and system reliability, it is important that each PVDD pin is decoupled with a ceramic capacitor placed as close as possible to each supply pin, as shown in the [Typical Application](#) section.

The TAS5721 is fully protected against erroneous power-stage turn-on due to parasitic gate charging.

## Feature Description (continued)

### 9.3.2 I<sup>2</sup>C Address Selection and Fault Output

ADR/ $\overline{\text{FAULT}}$  is an input pin during power up. It can be pulled HIGH or LOW through a resistor as shown in the [Typical Application](#) section in order to set the I<sup>2</sup>C address. Pulling this pin HIGH through the resistor results in setting the I<sup>2</sup>C 7-bit address to 0011011 (0x36), and pulling it LOW through the resistor results in setting the address to 0011010 (0x34).

During power up, the address of the device is latched in, freeing up the ADR/ $\overline{\text{FAULT}}$  pin to be used as a fault notification output. When configured as a fault output, the pin will go low when a fault occurs and will return to its default state when register 0x02 is cleared. The device will pull the fault pin low for over-current, over-temperature, over-voltage lock-out, and under-voltage lock-out.

### 9.3.3 Device Protection System

#### 9.3.3.1 Overcurrent (OC) Protection With Current Limiting

The device has independent, fast reacting current detectors on all high-side and low-side power-stage FETs. The detector outputs are closely monitored by a protection system. If the high-current condition situation persists, a protection system triggers a latching shutdown, resulting in the power stage being set in the high-impedance (Hi-Z) state. After the power stage enters into this state, the power stage will attempt to restart after a period of time defined in register 0x1C. If the high-current condition persists, the device will begin the shutdown and retry sequence again. The device will return to normal operation once the fault condition is removed. Current limiting and overcurrent protection are not independent for half-bridges. That is, if the bridge-tied load between half-bridges A and B causes an overcurrent fault, half-bridges A, B, C, and D are shut down.

#### 9.3.3.2 Overtemperature Protection

The TAS5721 has an overtemperature-protection system. If the device junction temperature exceeds 150°C (nominal), the device is put into thermal shutdown, resulting in all half-bridge outputs being set in the high-impedance (Hi-Z) state and ADR/ $\overline{\text{FAULT}}$ , if configured as an output, being asserted low. The TAS5721 recovers automatically once the temperature drops approximately 30 °C.

#### 9.3.3.3 Undervoltage Protection (UVP) and Power-On Reset (POR)

The UVP and POR circuits of the TAS5721 fully protect the device in any power-up/down and brownout situation. While powering up, the POR circuit ensures that all circuits are fully operational when the PVDD and AVDD supply voltages reach 4.1 V and 2.7 V, respectively. Although PVDD and AVDD are independently monitored, a supply voltage drop below the UVP threshold on AVDD or on either  $\overline{\text{PVDD}}$  pin results in all half-bridge outputs immediately being set in the high-impedance (Hi-Z) state and ADR/ $\overline{\text{FAULT}}$ , if configured as an output, being asserted low.

### 9.3.4 Clock, Auto Detection, and PLL

The TAS5721 is a slave device. It accepts MCLK, SCLK, and LRCLK. The digital audio processor (DAP) supports all the sample rates and MCLK rates that are defined in the [Clock Control Register](#) section.

The TAS5721 checks to verify that SCLK is a specific value of 32 f<sub>s</sub>, 48 f<sub>s</sub>, or 64 f<sub>s</sub>. The DAP only supports a 1 × f<sub>s</sub> LRCLK. The timing relationship of these clocks to SDIN is shown in subsequent sections. The clock section uses MCLK or the internal oscillator clock (when MCLK is unstable, out of range, or absent) to produce the internal clock (DCLK) running at 512 times the PWM switching frequency.

The DAP can autodetect and set the internal clock control logic to the appropriate settings for all supported clock rates as defined in the clock control register.

TAS5721 has robust clock error handling that uses the built-in trimmed oscillator clock to quickly detect changes/errors. Once the system detects a clock change/error, it will mute the audio (through a single step mute) and then force PLL to operate in a reduced capacity using the internal oscillator as a reference clock. Once the clocks are stable, the system will auto detect the new rate and revert to normal operation. During this process, the default volume will be restored in a single step (also called hard unmute) by default. If desired, the unmuting process can be programmed to ramp back slowly (also called soft unmute) as defined in volume register (0x0E).

## Feature Description (continued)

### 9.3.5 PWM Section

The TAS5721 DAP device uses noise-shaping and sophisticated non-linear correction algorithms to achieve high power efficiency and high-performance digital audio reproduction. The DAP uses a fourth-order noise shaper to increase dynamic range and SNR in the audio band. The PWM section accepts 24-bit PCM data from the DAP and outputs up to three PWM audio output channels.

The PWM modulation block has individual channel dc blocking filters that can be enabled and disabled. The filter cutoff frequency is less than 1 Hz. Individual channel de-emphasis filters for 44.1- and 48-kHz are included and can be enabled and disabled.

Finally, the PWM section has an adjustable maximum modulation limit of 93.8% to 99.2%. It is important to note that for any applications with PVDD greater than 18 V, the maximum modulation index must be set to 93.8%.

### 9.3.6 SSTIMER Functionality

The SSTIMER pin uses a capacitor connected between this pin and ground to control the output duty cycle when exiting all-channel shutdown. The capacitor on the SSTIMER pin is slowly charged through an internal current source, and the charge time determines the rate at which the output transitions from a near-zero duty cycle to the desired duty cycle. This allows for a smooth transition that minimizes audible pops and clicks. When the part is shut down, the drivers are placed in the high-impedance state and transition slowly down through a 3-k $\Omega$  resistor, similarly minimizing pops and clicks. The shutdown transition time is independent of the SSTIMER pin capacitance. The SSTIMER capacitor size determines the start-up time, 2200 pF is the maximum recommended value. The SSTIMER pin can be left floating when using BD modulation, but leaving the capacitor connected does not represent any issue.

### 9.3.7 2.1-Mode Support

The TAS5721 uses a special *mid-Z ramp* sequence to reduce click and pop in SE-mode and 2.1-mode operation. To enable the mid-Z ramp, register 0x05 bit D7 must be set to 1. To enable 2.1 mode, register 0x05 bit D2 must be set to 1. The SSTIMER pin should be left floating in this mode.

#### 9.3.7.1 Supply Pumping and Polarity Inversion for 2.1 Mode

The high degree of correlation between the left and right channels of a stereo audio signal dictates that, when the left audio signal is positive, the right audio signal tends to be positive as well. When the Class D is configured for single-ended operation (as would be the case for Single Device 2.1 Operation), this results in both outputs drawing current from the supply rail "in phase". Similarly, when the left audio signal is negative, the right audio signal tends to be negative as well. For single-ended operation, both outputs will likewise force current into the ground rail. This can lead to a phenomenon called "supply pumping" in which the capacitances on the PVDD rail begin to store charge- raising the voltage level of PVDD as well. This noise injection onto the rail is in phase with and at a similar frequency of the signal being produced by the amplifier output stage. This phenomenon can cause issues for other devices attached to the PVDD rail. The problem does not occur for BTL outputs since outputs of both polarities are always present for each channel.

To combat supply pumping in 2.1 Mode, the device has an integrated speaker-mode volume negation feature, which, essentially introduces a polarity inversion (shift by 180°) to any of the given channels. By setting the correct bit in 0x20[31:24], it is possible to invert the polarity of the DAP channels that drive the PWM modulator blocks. This allows, for instance, the left channel to operate with its default polarity, while the right channel could have its polarity inverted to balance current flow into and out of the supplies. This procedure could have an adverse implication on the stereo imaging of the audio system because, if the speakers in the system are connected in the same manner as they would be connected when being driven by traditional BTL channels, the phase of the signals being sent to the speakers is 180° out of phase. In order to prevent this from occurring, the speaker on the negated channel must be connected "backwards" (i.e. the Class D signal for the negated channel gets connected to the negative speaker terminal and the positive terminal is grounded). In this way, supply pumping is reduced while keeping the effective signal polarity the same. The table above includes register settings which enable the polarity inversion, so care should be taken to adjust the polarity of the speakers if this feature is left enabled. Of course this feature can be left disabled if desired, provided the supply pumping phenomenon doesn't cause any other system level issues



## Feature Description (continued)

### 9.3.8 PBTL-Mode Support

The TAS5721 supports parallel BTL (PBTL) mode with OUT\_A/OUT\_B (and OUT\_C/OUT\_D) connected after the LC filter. In order to put the part in PBTL configuration, the PWM output multiplexers should be updated to set the device in PBTL mode. Output Mux Register (0x25) should be written with a value of 0x01 10 32 45. Also, the PWM shutdown register (0x19) should be written with a value of 0x3A.

### 9.3.9 I<sup>2</sup>C Serial Control Interface

The TAS5721 DAP has a bidirectional inter-integrated circuit (I<sup>2</sup>C) interface that is compatible with the I<sup>2</sup>C bus protocol and supports both 100-kHz and 400-kHz data transfer rates for single and multiple byte write and read operations. This is a slave only device that does not support a multimaster bus environment or wait state insertion. The control interface is used to program the registers of the device and to read device status.

The DAP supports the standard-mode I<sup>2</sup>C bus operation (100 kHz maximum) and the fast I<sup>2</sup>C bus operation (400 kHz maximum). The DAP performs all I<sup>2</sup>C operations without I<sup>2</sup>C wait cycles.

#### 9.3.9.1 Single- and Multiple-Byte Transfers

The serial control interface supports both single-byte and multiple-byte read/write operations for subaddresses 0x00 to 0x1F. However, for the subaddresses 0x20 to 0xFF, the serial control interface supports only multiple-byte read/write operations (in multiples of 4 bytes).

During multiple-byte read operations, the DAP responds with data, a byte at a time, starting at the subaddress assigned, as long as the master device continues to respond with acknowledges. If a particular subaddress does not contain 32 bits, the unused bits are read as logic 0.

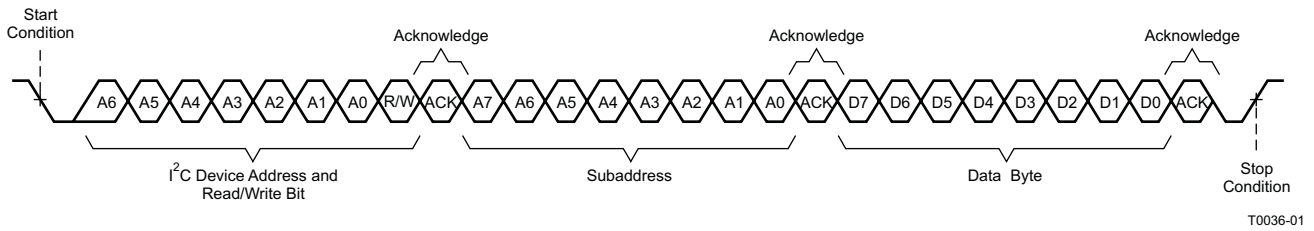
During multiple-byte write operations, the DAP compares the number of bytes transmitted to the number of bytes that are required for each specific subaddress. For example, if a write command is received for a biquad subaddress, the DAP expects to receive five 32-bit words. If fewer than five 32-bit data words have been received when a stop command (or another start command) is received, the data received is discarded.

Supplying a subaddress for each subaddress transaction is referred to as random I<sup>2</sup>C addressing. The TAS5721 also supports sequential I<sup>2</sup>C addressing. For write transactions, if a subaddress is issued followed by data for that subaddress and the 15 subaddresses that follow, a sequential I<sup>2</sup>C write transaction has taken place, and the data for all 16 subaddresses is successfully received by the TAS5721. For I<sup>2</sup>C sequential write transactions, the subaddress then serves as the start address, and the amount of data subsequently transmitted, before a stop or start is transmitted, determines how many subaddresses are written. As was true for random addressing, sequential addressing requires that a complete set of data be transmitted. If only a partial set of data is written to the last subaddress, the data for the last subaddress is discarded. However, all other data written is accepted; only the incomplete data is discarded.

#### 9.3.9.2 Single-Byte Write

As shown in [Figure 50](#), a single-byte data write transfer begins with the master device transmitting a start condition followed by the I<sup>2</sup>C device address and the read/write bit. The read/write bit determines the direction of the data transfer. For a write data transfer, the read/write bit will be a 0. After receiving the correct I<sup>2</sup>C device address and the read/write bit, the DAP responds with an acknowledge bit. Next, the master transmits the address byte or bytes corresponding to the TAS5721 internal memory address being accessed. After receiving the address byte, the TAS5721 again responds with an acknowledge bit. Next, the master device transmits the data byte to be written to the memory address being accessed. After receiving the data byte, the TAS5721 again responds with an acknowledge bit. Finally, the master device transmits a stop condition to complete the single-byte data write transfer.

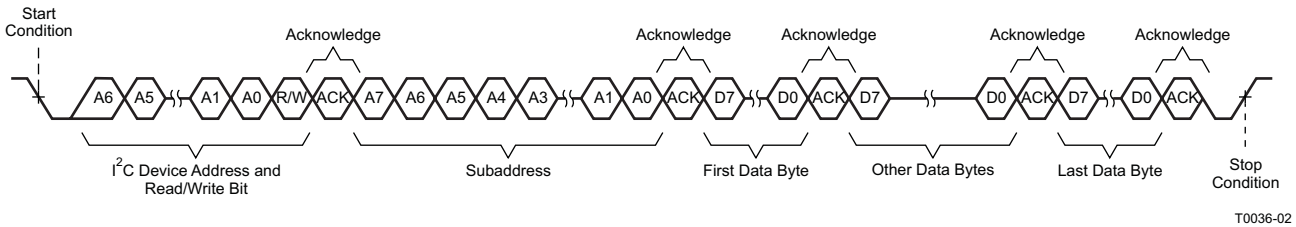
**Feature Description (continued)**



**Figure 50. Single-Byte Write Transfer**

**9.3.9.3 Multiple-Byte Write**

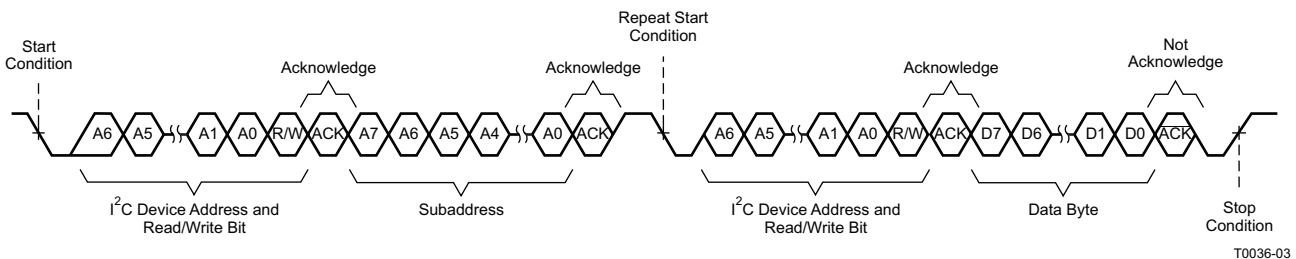
A multiple-byte data write transfer is identical to a single-byte data write transfer except that multiple data bytes are transmitted by the master device to the DAP as shown in Figure 51. After receiving each data byte, the TAS5721 responds with an acknowledge bit.



**Figure 51. Multiple-Byte Write Transfer**

**9.3.9.4 Single-Byte Read**

As shown in Figure 52, a single-byte data read transfer begins with the master device transmitting a start condition followed by the I<sup>2</sup>C device address and the read/write bit. For the data read transfer, both a write followed by a read are actually done. Initially, a write is done to transfer the address byte or bytes of the internal memory address to be read. As a result, the read/write bit becomes a 0. After receiving the TAS5721 address and the read/write bit, TAS5721 responds with an acknowledge bit. In addition, after sending the internal memory address byte or bytes, the master device transmits another start condition followed by the TAS5721 address and the read/write bit again. This time the read/write bit becomes a 1, indicating a read transfer. After receiving the address and the read/write bit, the TAS5721 again responds with an acknowledge bit. Next, the TAS5721 transmits the data byte from the memory address being read. After receiving the data byte, the master device transmits a not acknowledge followed by a stop condition to complete the single byte data read transfer.

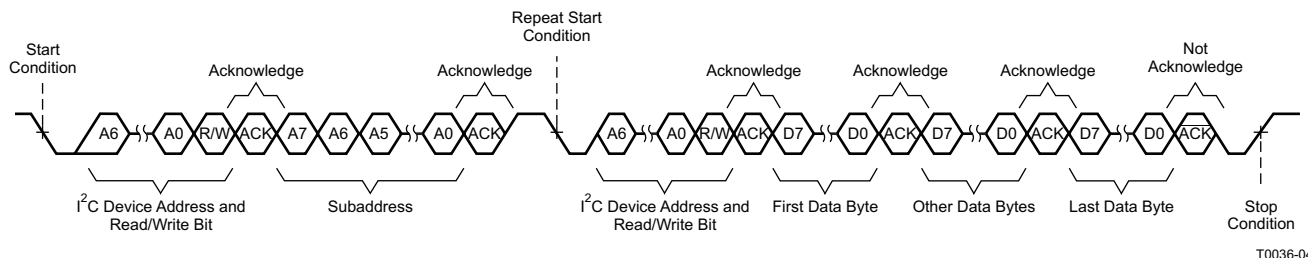


**Figure 52. Single-Byte Read Transfer**

**9.3.9.5 Multiple-Byte Read**

A multiple-byte data read transfer is identical to a single-byte data read transfer except that multiple data bytes are transmitted by the TAS5721 to the master device as shown in Figure 53. Except for the last data byte, the master device responds with an acknowledge bit after receiving each data byte.

Feature Description (continued)



T0036-04

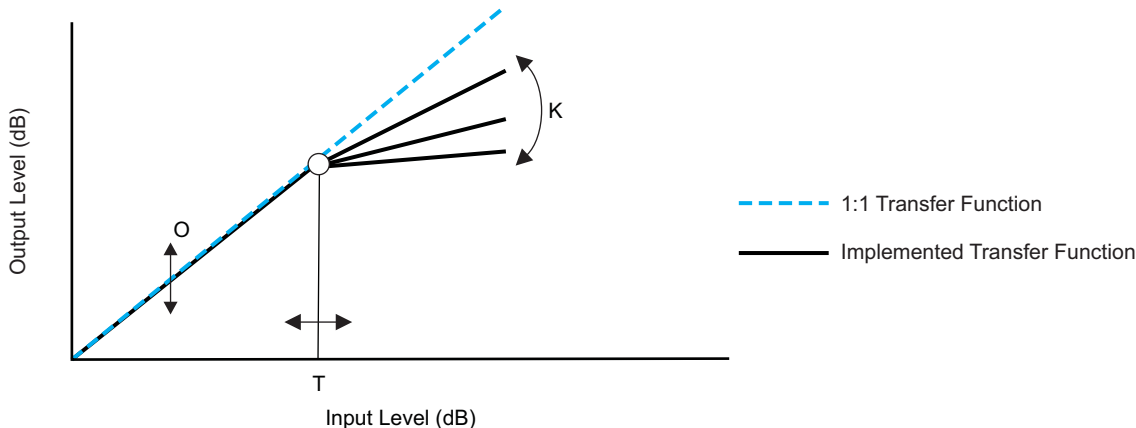
Figure 53. Multiple Byte Read Transfer

9.3.10 Dynamic Range Control (DRC)

The DRC scheme has a single threshold, offset, and slope (all programmable). There is one ganged DRC for the left/right channels and one DRC for the subchannel.

The DRC input/output diagram is shown in Figure 54.

Refer to GDE software tool for more description on T, K, and O parameters.

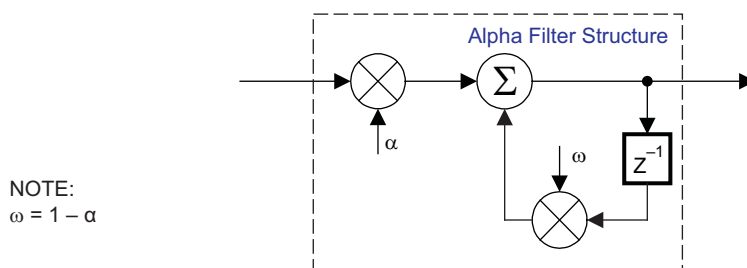
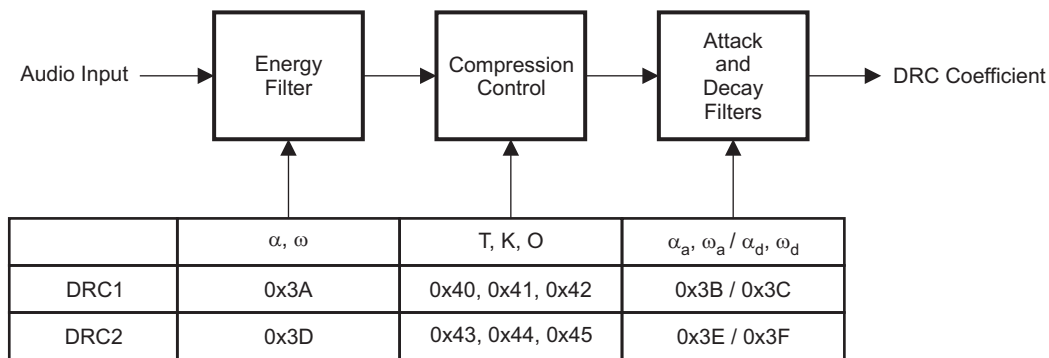


M0091-02

Professional-quality dynamic range compression automatically adjusts volume to flatten volume level.

- Each DRC has adjustable threshold, offset, and compression levels.
- Programmable energy, attack, and decay time constants
- *Transparent compression*: compressors can attack fast enough to avoid apparent clipping before engaging, and decay times can be set slow enough to avoid pumping.

Figure 54. Dynamic Range Control

**Feature Description (continued)**


B0265-01

T = 9.23 format, all other DRC coefficients are 3.23 format

**Figure 55. DRC Structure**
**9.3.11 Bank Switching**

The TAS5721 uses an approach called *bank switching* together with automatic sample-rate detection. All processing features that must be changed for different sample rates are stored internally in three banks. The user can program which sample rates map to each bank. By default, bank 1 is used in 32-kHz mode, bank 2 is used in 44.1- or 48-kHz mode, and bank 3 is used for all other rates. Combined with the clock-rate autodetection feature, bank switching allows the TAS5721 to detect automatically a change in the input sample rate and switch to the appropriate bank without any MCU intervention.

An external controller configures bankable locations (0x29-0x36, 0x3A-0x3F, and 0x58-0x5F) for all three banks during the initialization sequence.

If auto bank switching is enabled (register 0x50, bits 2:0), then the TAS5721 automatically swaps the coefficients for subsequent sample rate changes, avoiding the need for any external controller intervention for a sample rate change.

By default, bits 2:0 have the value 000; indicating that bank switching is disabled. In that state, updates to bankable locations take immediate effect. A write to register 0x50 with bits 2:0 being 001, 010, or 011 brings the system into the coefficient-bank-update state *update bank1*, *update bank2*, or *update bank3*, respectively. Any subsequent write to bankable locations updates the coefficient banks stored outside the DAP. After updating all the three banks, the system controller should issue a write to register 0x50 with bits 2:0 being 100; this changes the system state to automatic bank switching mode. In automatic bank switching mode, the TAS5721 automatically swaps banks based on the sample rate.

**Command sequences for updating DAP coefficients can be summarized as follows:**

1. **Bank switching disabled (default):** DAP coefficient writes take immediate effect and are not influenced by subsequent sample rate changes.  
OR
2. **Bank switching enabled:**
  - (a) Update bank-1 mode: Write "001" to bits 2:0 of reg 0x50. Load the 32 kHz coefficients.
  - (b) Update bank-2 mode: Write "010" to bits 2:0 of reg 0x50. Load the 48 kHz coefficients.
  - (c) Update bank-3 mode: Write "011" to bits 2:0 of reg 0x50. Load the other coefficients.
  - (d) Enable automatic bank switching by writing "100" to bits 2:0 of reg 0x50.

**9.3.12 Serial Data Interface**

Serial data is input on SDIN. The PWM outputs are derived from SDIN. The TAS5721 DAP accepts serial data in 16-, 20-, or 24-bit left-justified, right-justified, and I<sup>2</sup>S serial data formats.

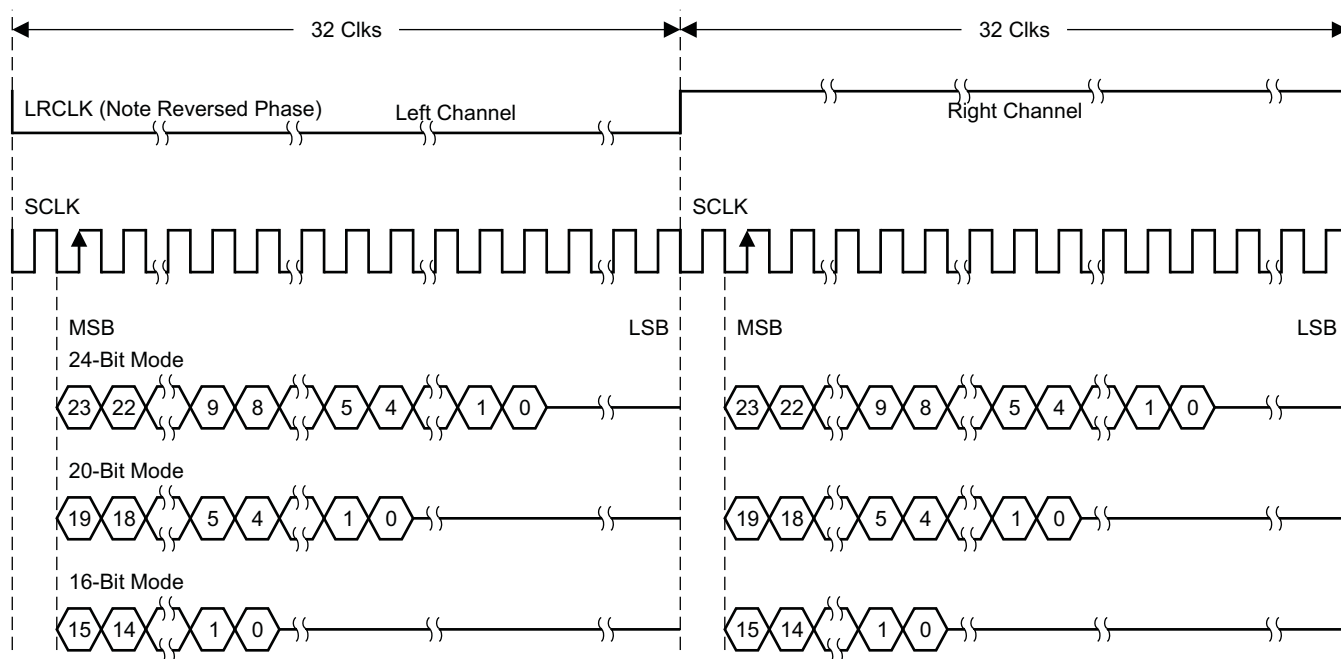
**9.3.12.1 Serial Interface Control and Timing**

The I<sup>2</sup>S mode is set by writing to register 0x04.

**9.3.12.1.1 I<sup>2</sup>S Timing**

I<sup>2</sup>S timing uses LRCLK to define when the data being transmitted is for the left channel and when it is for the right channel. LRCLK is low for the left channel and high for the right channel. A bit clock running at 32, 48, or 64 × f<sub>s</sub> is used to clock in the data. There is a delay of one bit clock from the time the LRCLK signal changes state to the first bit of data on the data lines. The data is written MSB first and is valid on the rising edge of bit clock. The DAP masks unused trailing data bit positions.

2-Channel I<sup>2</sup>S (Philips Format) Stereo Input

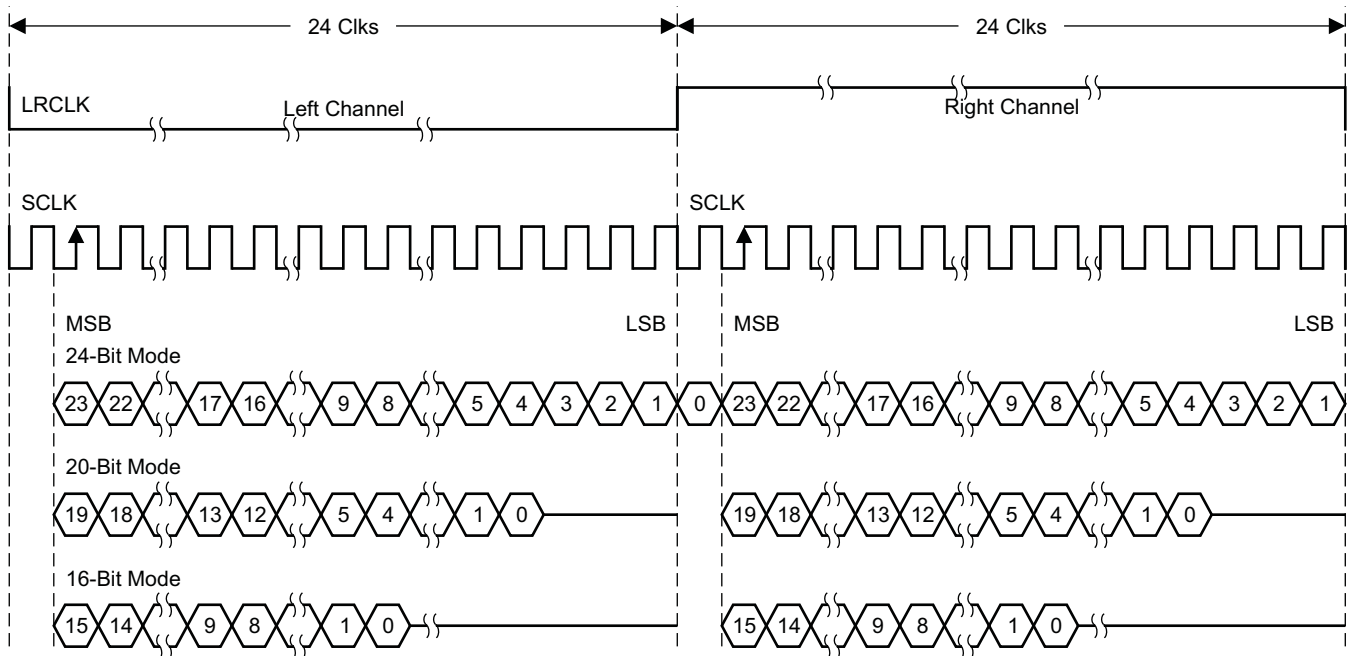


T0034-01

NOTE: All data presented in 2s-complement form with MSB first.

**Figure 56. I<sup>2</sup>S 64-f<sub>s</sub> Format**

2-Channel I<sup>2</sup>S (Philips Format) Stereo Input/Output (24-Bit Transfer Word Size)

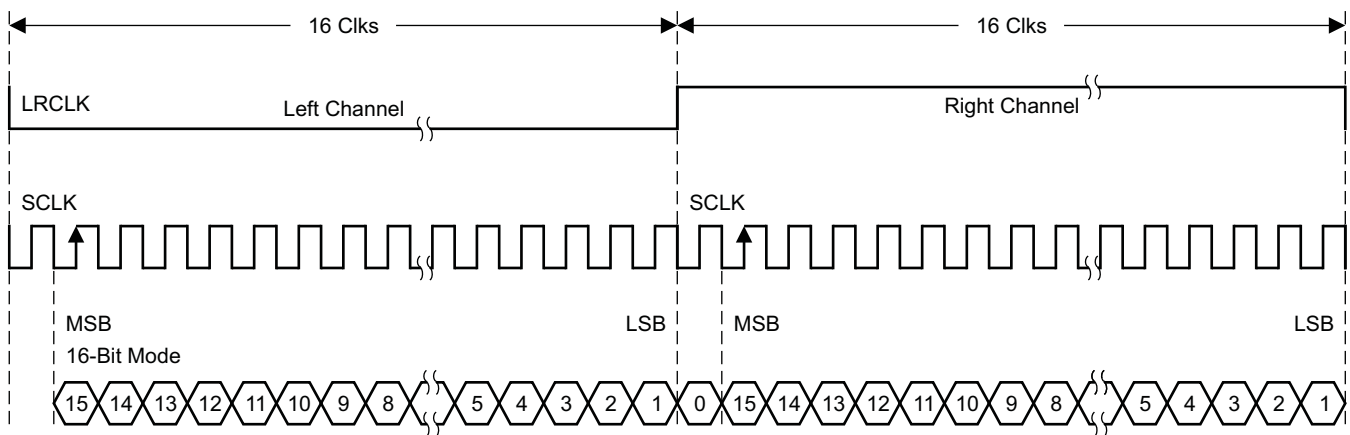


T0092-01

NOTE: All data presented in 2s-complement form with MSB first.

**Figure 57. I<sup>2</sup>S 48-f<sub>s</sub> Format**

2-Channel I<sup>2</sup>S (Philips Format) Stereo Input



T0266-01

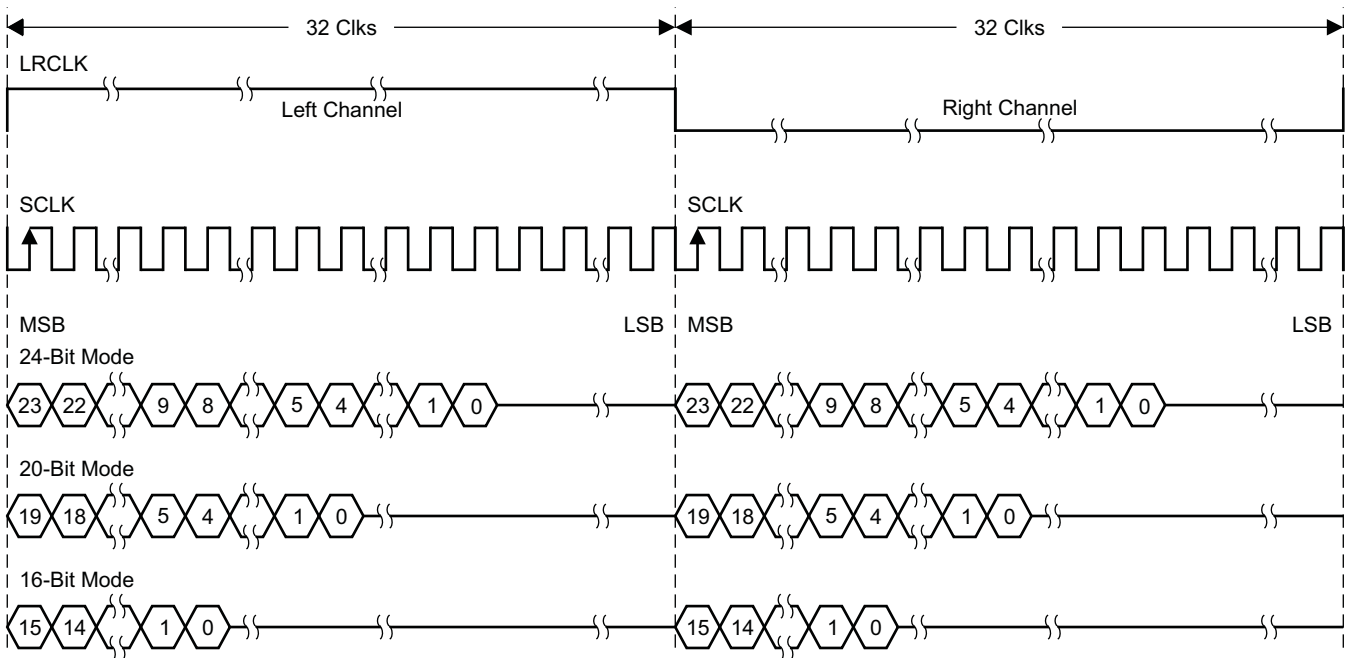
NOTE: All data presented in 2s-complement form with MSB first.

**Figure 58. I<sup>2</sup>S 32-f<sub>s</sub> Format**

**9.3.12.1.2 Left-Justified**

Left-justified (LJ) timing uses LRCLK to define when the data being transmitted is for the left channel and when it is for the right channel. LRCLK is high for the left channel and low for the right channel. A bit clock running at 32, 48, or 64 × f<sub>s</sub> is used to clock in the data. The first bit of data appears on the data lines at the same time LRCLK toggles. The data is written MSB first and is valid on the rising edge of the bit clock. The DAP masks unused trailing data bit positions.

2-Channel Left-Justified Stereo Input

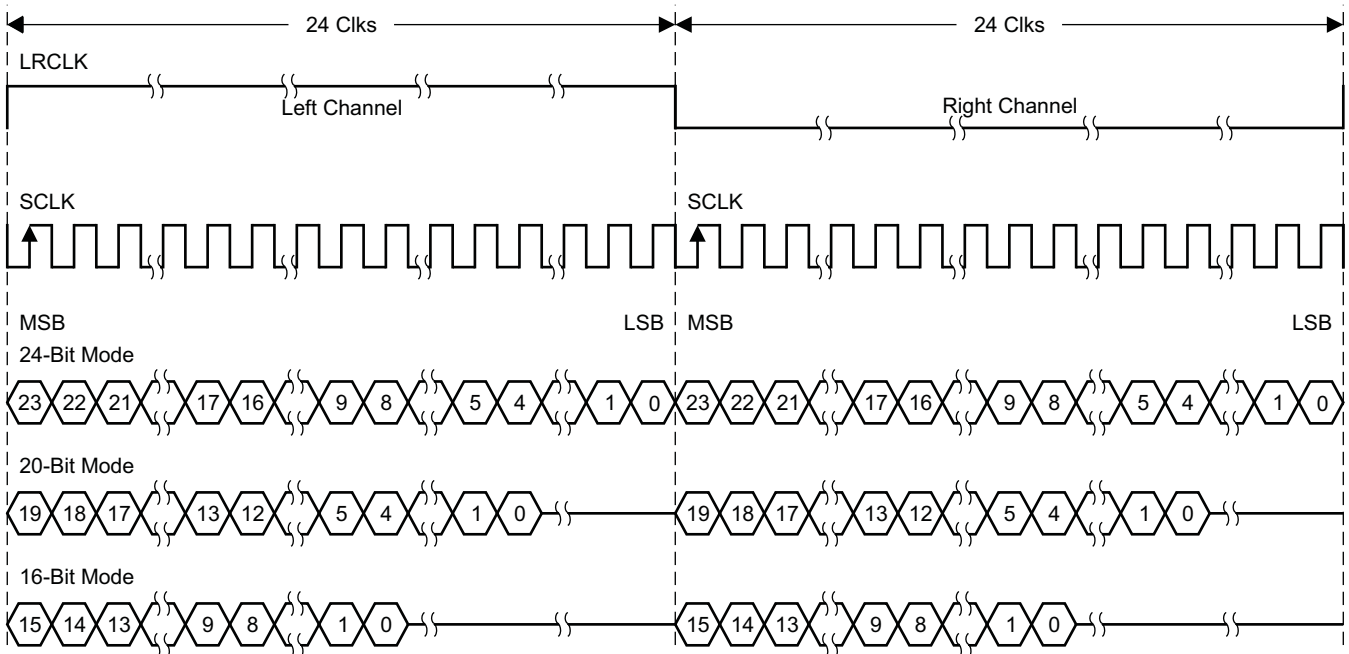


T0034-02

NOTE: All data presented in 2s-complement form with MSB first.

**Figure 59. Left-Justified 64-f<sub>s</sub> Format**

2-Channel Left-Justified Stereo Input (24-Bit Transfer Word Size)

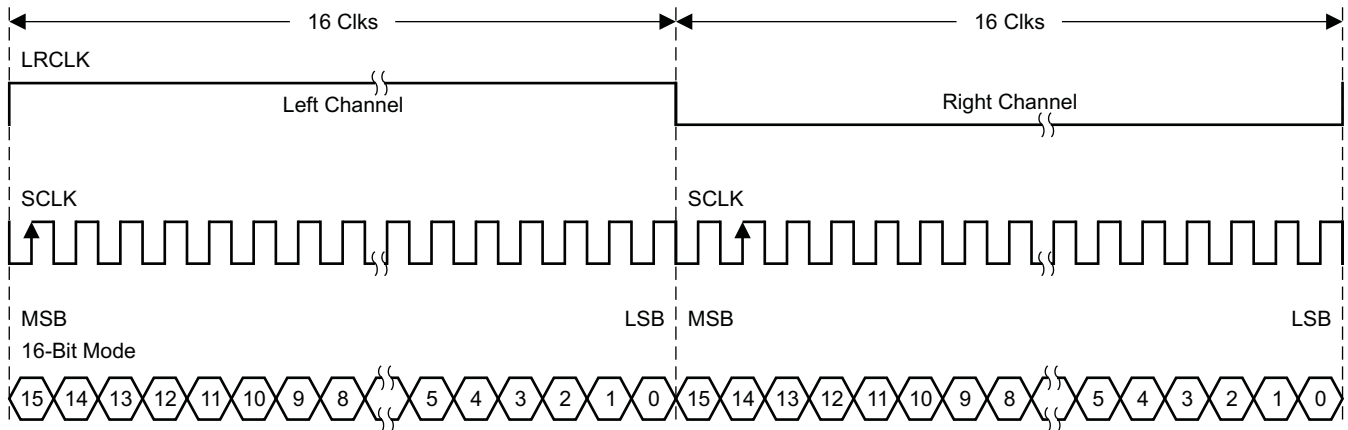


T0092-02

NOTE: All data presented in 2s-complement form with MSB first.

**Figure 60. Left-Justified 48-f<sub>s</sub> Format**

2-Channel Left-Justified Stereo Input



T0266-02

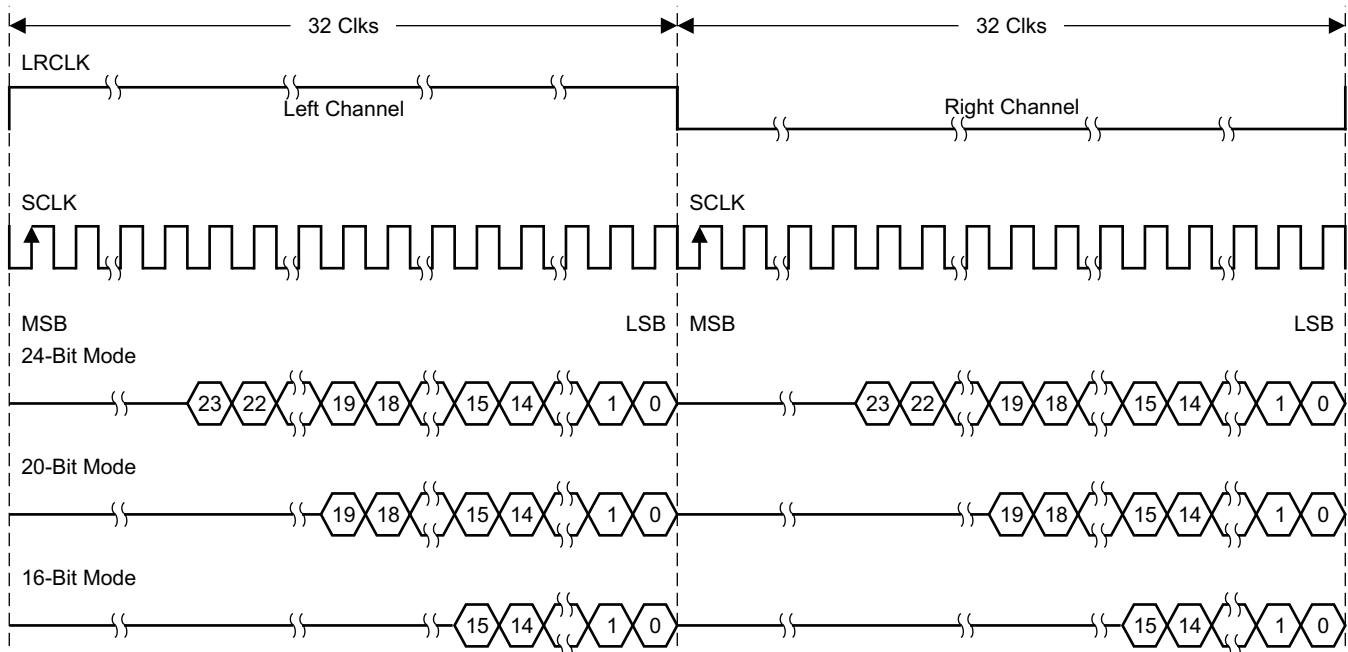
NOTE: All data presented in 2s-complement form with MSB first.

**Figure 61. Left-Justified 32- $f_s$  Format**

9.3.12.1.3 Right-Justified

Right-justified (RJ) timing uses LRCLK to define when the data being transmitted is for the left channel and when it is for the right channel. LRCLK is high for the left channel and low for the right channel. A bit clock running at 32, 48, or 64  $\times f_s$  is used to clock in the data. The first bit of data appears on the data 8 bit-clock periods (for 24-bit data) after LRCLK toggles. In RJ mode the LSB of data is always clocked by the last bit clock before LRCLK transitions. The data is written MSB first and is valid on the rising edge of bit clock. The DAP masks unused leading data bit positions.

2-Channel Right-Justified (Sony Format) Stereo Input

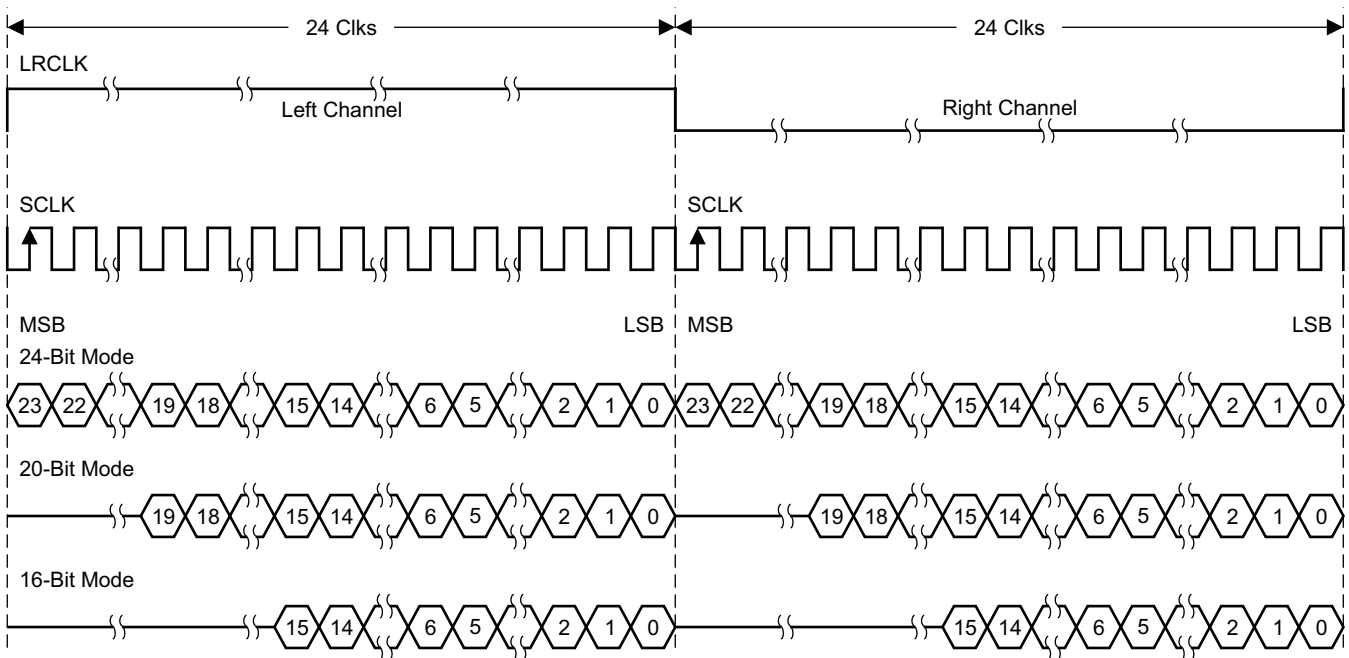


T0034-03

**Figure 62. Right Justified 64- $f_s$  Format**



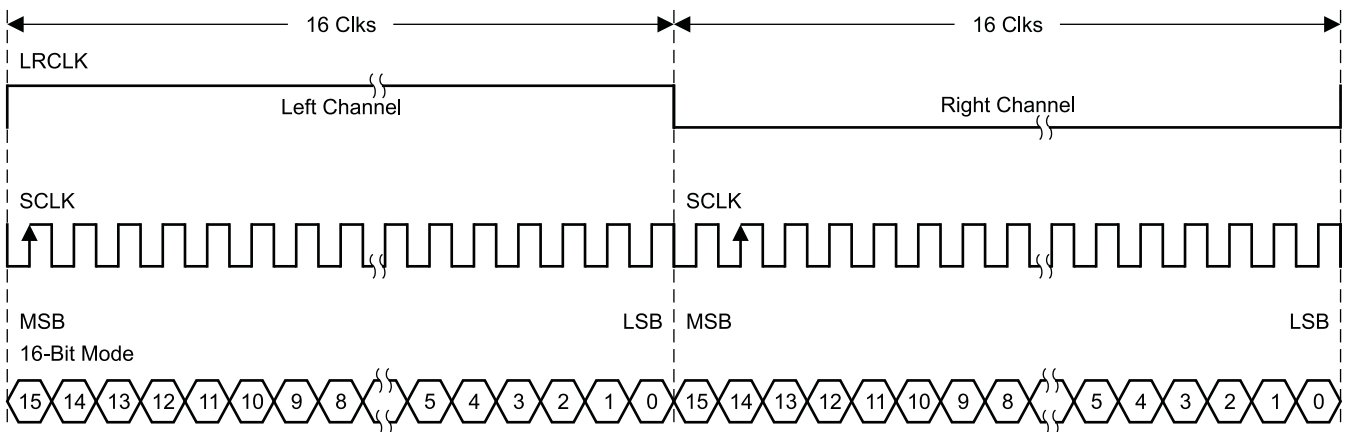
2-Channel Right-Justified Stereo Input (24-Bit Transfer Word Size)



T0092-03

Figure 63. Right Justified 48-f<sub>s</sub> Format

2-Channel Right-Justified (Sony Format) Stereo Input



T0266-03

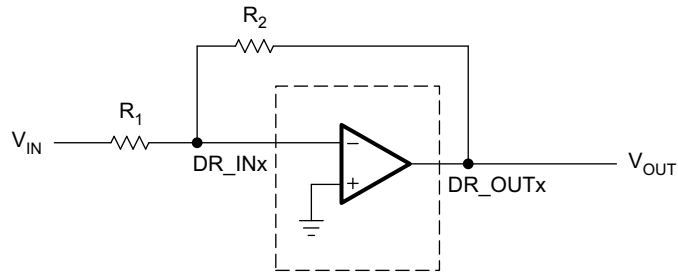
Figure 64. Right Justified 32-f<sub>s</sub> Format

9.3.13 DirectPath Headphone/Line Driver

The TAS5721 device has a stereo output which can be used as a line driver or a headphone driver that can output 2-V<sub>rms</sub> stereo. An audio system can be set up for different applications using this device.

9.3.13.1 Using Headphone Amplifier in TAS5721

The device can be represented as shown in Figure 65: analog inputs (single-ended) as DR\_INA (pin 7) and DR\_INB (pin 10) with the outputs DR\_OUTA (pin 8) and DR\_OUTB (pin 9).



S0490-02

Figure 65. Headphone/Line Driver with Analog Input

$\overline{\text{DR\_SD}}$  pin can be used to turn ON or OFF the headphone amplifier and line driver. Speaker channels are independent of headphone and line driver in this mode.

9.3.13.2 Using Line Driver Amplifier in TAS5721

Single-supply headphone and line driver amplifiers typically require dc-blocking capacitors. The top drawing in Figure 66 illustrates the conventional line driver amplifier connection to the load and output signal.

DC blocking capacitors for headphone amps are often large in value, and a mute circuit is needed during power up to minimize click and pop for both headphone and line driver. The output capacitors and mute circuits consume PCB area and increase cost of assembly, and can reduce the fidelity of the audio output signal.

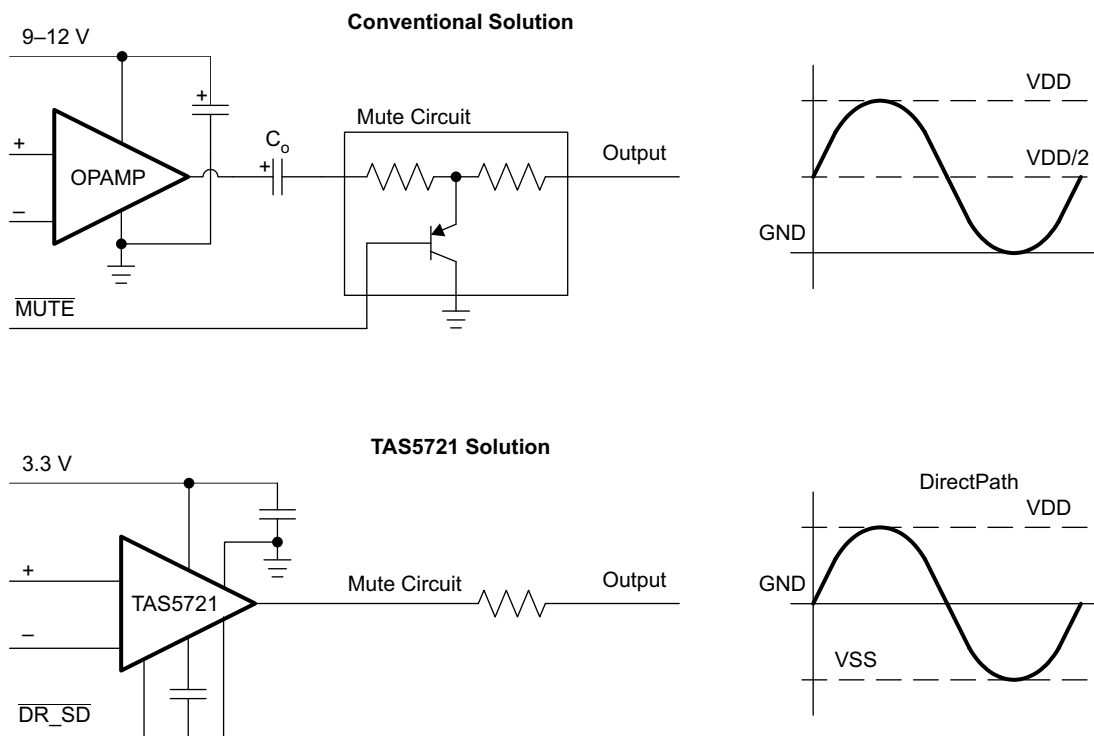


Figure 66. Conventional and DirectPath HP and Line Driver

The DirectPath amplifier architecture operates from a single supply but makes use of an internal charge pump to provide a negative voltage rail.

Combining the user provided positive rail and the negative rail generated by the IC, the device operates in what is effectively a split supply mode.

The output voltages are now centered at zero volts with the capability to swing to the positive rail or negative rail, combining this with the built in click and pop reduction circuit, the DirectPath amplifier requires no output dc blocking capacitors.

The bottom block diagram and waveform of [Figure 66](#) illustrate the ground-referenced headphone and line driver architecture. This is the architecture of the TAS5721.

## 9.4 Device Functional Modes

### 9.4.1 Output Mode and MUX Selection

The TAS5721 is a highly configurable device, capable of operating in 2.0, Single Device 2.1 and parallel bridge tied load (PBTL) configurations. Additionally, the modulation scheme can be changed for the channels to operate either in AD or BD Modulation mode. While many configurations are possible because of this flexibility, the majority of use cases users will operate in one of the configurations shown below. For ease of use and reduced complexity, the figure below outlines both the register settings and the output configurations required to set the device up for operation in these various modes.

The output configuration quick reference table below highlights the controls that are required to configure the device for various operational modes. Please note that other controls, which are not directly related to the output configuration muxes may also be required. For example, the Inter Channel Delay (ICD) settings will likely need to be modified to optimize for idle channel noise, cross-talk, and distortion performance for each of these considerations, in addition to start and stop time and others. Please consult the respective registers for these controls to optimize for various other performance parameters and use cases.

**Table 1. Output Configuration Quick Reference**

OUTPUT CONFIGURATION	MODULATION MODE	REGISTER SETTINGS	BLOCK DIAGRAM
2.0 (Stereo BTL)	AD for Both Outputs	0x20[23] = 0 0x20[19] = 0 0x20[15:8] = 0x77 0x05[7] = 0 0x05[2] = 0 0x25[23:8] = 0x0213 0x1A[7:0] = 0x0F	
	BD for Both Outputs	0x20[23] = 1 0x20[19] = 1 0x20[15:8] = 0x77 0x05[7] = 0 0x05[2] = 0 0x25[23:8] = 0x0213 0x1A[7:0] = 0x0A	
Single Device 2.1 (Stereo Single Ended + Mono BTL) Note: In these described configurations, the polarity of the signal being sent to SPK_OUTB is inverted. For this reason, care should be taken to ensure that the speakers are connected as shown in the block diagram.	AD for Both SE Outputs AD for Single BTL Output	0x20[23] = 0 0x20[19] = 0 0x20[3] = 0 0x05[7] = 1 0x05[2] = 1 0x25[23:8] = 0x0132 0x1A[7:0] = 0x95 0x20[7:4] = 0x7 0x21[8] = 0 0x20[25] = 1	
	AD for both SE Outputs BD for Single BTL Output	0x20[23] = 0 0x20[19] = 0 0x20[3] = 1 0x05[7] = 1 0x05[2] = 1 0x25[23:8] = 0x0132 0x1A[7:0] = 0x95 0x20[7:4] = 0x7 0x21[8] = 0 0x20[25] = 1	

Device Functional Modes (continued)

Table 1. Output Configuration Quick Reference (continued)

OUTPUT CONFIGURATION	MODULATION MODE	REGISTER SETTINGS	BLOCK DIAGRAM
1.0 Mono PBTL	AD	0x05[7] = 0 0x05[5] = 0 0x05[2] = 0 0x19[7:0] = 0x3A 0x1A[7:0] = 0x0F 0x20[23] = 0 0x20[15:12] = 0x7 0x25[23:8] = 0x0123	
	BD	0x05[7] = 0 0x05[5] = 0 0x05[2] = 0 0x19[7:0] = 0x3A 0x1A[7:0] = 0x0A 0x20[23] = 1 0x20[15:12] = 0x7 0x25[23:8] = 0x0123	

9.5 Programming

9.5.1 General I<sup>2</sup>C Operation

The I<sup>2</sup>C bus employs two signals to communicate between integrated circuits in a system: (data) SDA and (clock) SCL. Data is transferred on the bus serially one bit at a time. The address and data can be transferred in byte (8-bit) format, with the most significant bit (MSB) transferred first. In addition, each byte transferred on the bus is acknowledged by the receiving device with an acknowledge bit. Each transfer operation begins with the master device driving a start condition on the bus and ends with the master device driving a stop condition on the bus. The bus uses transitions on the data pin (SDA) while the clock is high to indicate start and stop conditions. A high-to-low transition on SDA indicates a start and a low-to-high transition indicates a stop. Normal data bit transitions must occur within the low time of the clock period. These conditions are shown in Figure 67. The master generates the 7-bit slave address and the read/write (R/W) bit to open communication with another device and then waits for an acknowledge condition. The TAS5721 holds SDA low during the acknowledge clock period to indicate an acknowledgment. When this occurs, the master transmits the next byte of the sequence. Each device is addressed by a unique 7-bit slave address plus R/W bit (1 byte). All compatible devices share the same signals through a bidirectional bus using a wired-AND connection. An external pullup resistor must be used for the SDA and SCL signals to set the high level for the bus.

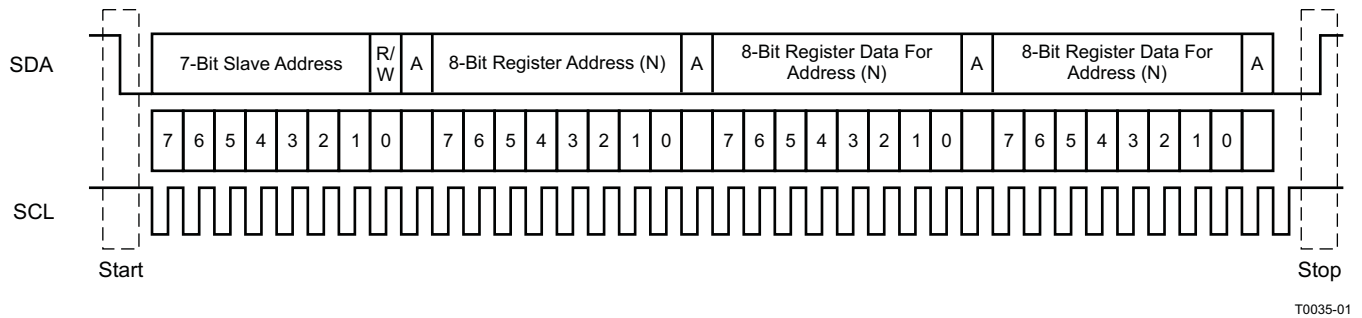


Figure 67. Typical I<sup>2</sup>C Sequence

There is no limit on the number of bytes that can be transmitted between start and stop conditions. When the last word transfers, the master generates a stop condition to release the bus. A generic data transfer sequence is shown in Figure 67.

Pin  $\overline{\text{ADR/FAULT}}$  defines the I<sup>2</sup>C device address. An external 15-k $\Omega$  pull down on this pin gives a device address of 0x34 and a 15-k $\Omega$  pull up gives a device address of 0x36. The 7-bit address is 0011011 (0x36) or 0011010 (0x34).

## Programming (continued)

### 9.5.1.1 I<sup>2</sup>C Device Address Change Procedure

- Write to device address change enable register, 0xF8 with a value of 0xF9 A5 A5 A5.
- Write to device register 0xF9 with a value of 0x0000 00XX, where XX is the new address.
- Any writes after that should use the new device address XX.

### 9.5.2 26-Bit 3.23 Number Format

All mixer gain coefficients are 26-bit coefficients using a 3.23 number format. Numbers formatted as 3.23 numbers means that there are 3 bits to the left of the decimal point and 23 bits to the right of the decimal point. This is shown in [Figure 68](#).

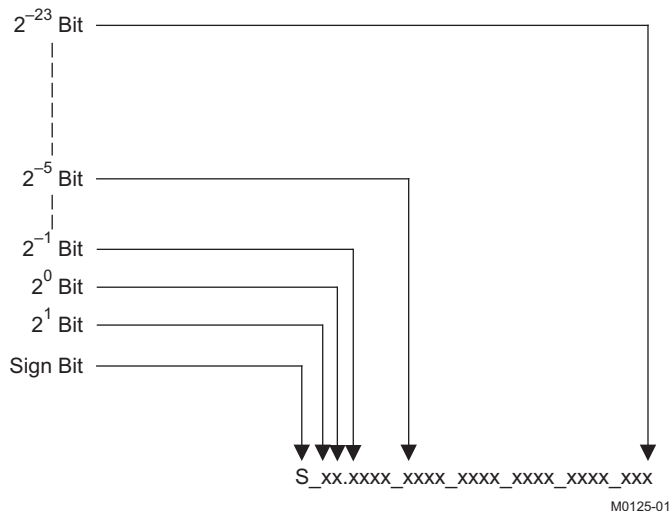


Figure 68. 3.23 Format

The decimal value of a 3.23 format number can be found by following the weighting shown in [Figure 68](#). If the most significant bit is logic 0, the number is a positive number, and the weighting shown yields the correct number. If the most significant bit is a logic 1, then the number is a negative number. In this case every bit must be inverted, a 1 added to the result, and then the weighting shown in [Figure 69](#) applied to obtain the magnitude of the negative number.

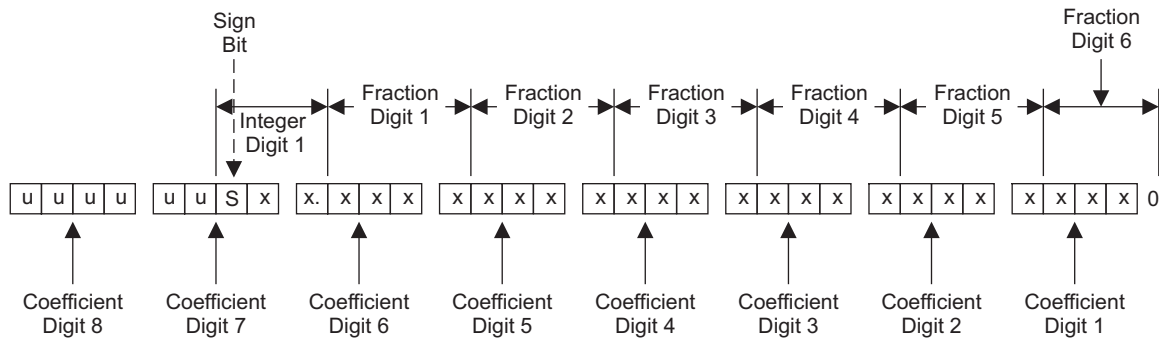
$$(1 \text{ or } 0) \times 2^1 + (1 \text{ or } 0) \times 2^0 + (1 \text{ or } 0) \times 2^{-1} + \dots (1 \text{ or } 0) \times 2^{-4} + \dots (1 \text{ or } 0) \times 2^{-23}$$

M0126-01

Figure 69. Conversion Weighting Factors—3.23 Format to Floating Point

Gain coefficients, entered via the I<sup>2</sup>C bus, must be entered as 32-bit binary numbers. The format of the 32-bit number (4-byte or 8-digit hexadecimal number) is shown in [Figure 70](#).

**Programming (continued)**



u = unused or don't care bits  
Digit = hexadecimal digit

M0127-01

**Figure 70. Alignment of 3.23 Coefficient in 32-Bit I<sup>2</sup>C Word**

**Table 2. Sample Calculation for 3.23 Format**

dB	LINEAR	DECIMAL	HEX (3.23 FORMAT)
0	1	8,388,608	0080 0000
5	1.7782794	14,917,288	00E3 9EA8
-5	0.5623413	4,717,260	0047 FACC
X	$L = 10^{(X/20)}$	$D = 8,388,608 \times L$	$H = \text{dec2hex}(D, 8)$

**Table 3. Sample Calculation for 9.17 Format**

dB	LINEAR	DECIMAL	HEX (9.17 FORMAT)
0	1	131,072	2 0000
5	1.77	231,997	3 8A3D
-5	0.56	73,400	1 1EB8
X	$L = 10^{(X/20)}$	$D = 131,072 \times L$	$H = \text{dec2hex}(D, 8)$

**9.6 Register Maps**

**Table 4. Serial Control Interface Register Summary**

SUBADDRESS	REGISTER NAME	NO. OF BYTES	CONTENTS	DEFAULT VALUE
			A u indicates unused bits.	
0x00	Clock control register	1	Description shown in subsequent section	0x6C
0x01	Device ID register	1	Description shown in subsequent section	0x00
0x02	Error status register	1	Description shown in subsequent section	0x00
0x03	System control register 1	1	Description shown in subsequent section	0xA0
0x04	Serial data interface register	1	Description shown in subsequent section	0x05
0x05	System control register 2	1	Description shown in subsequent section	0x40
0x06	Soft mute register	1	Description shown in subsequent section	0x00
0x07	Master volume	1	Description shown in subsequent section	0xFF (mute)
0x08	Channel 1 vol	1	Description shown in subsequent section	0x30 (0 dB)

**Register Maps (continued)**
**Table 4. Serial Control Interface Register Summary (continued)**

SUBADDRESS	REGISTER NAME	NO. OF BYTES	CONTENTS	DEFAULT VALUE
0x09	Channel 2 vol	1	Description shown in subsequent section	0x30 (0 dB)
0x0A	Channel 3 vol	1	Description shown in subsequent section	0x30 (0 dB)
0x0B–0x0D		1	Reserved <sup>(1)</sup>	
0x0E	Volume configuration register	1	Description shown in subsequent section	0x91
0x0F		1	Reserved <sup>(1)</sup>	
0x10	Modulation limit register	1	Description shown in subsequent section	0x02
0x11	IC delay channel 1	1	Description shown in subsequent section	0xAC
0x12	IC delay channel 2	1	Description shown in subsequent section	0x54
0x13	IC delay channel 3	1	Description shown in subsequent section	0xAC
0x14	IC delay channel 4	1	Description shown in subsequent section	0x54
0x15–0x18		1	Reserved <sup>(1)</sup>	
0x19	PWM channel shutdown group register	1	Description shown in subsequent section	0x30
0x1A	Start/stop period register	1	Description shown in subsequent section	0x0F
0x1B	Oscillator trim register	1	Description shown in subsequent section	0x82
0x1C	BKND_ERR register	1	Description shown in subsequent section	0x02
0x1D–0x1F		1	Reserved <sup>(1)</sup>	
0x20	Input MUX register	4	Description shown in subsequent section	0x0001 7772
0x21	Ch 4 source select register	4	Description shown in subsequent section	0x0000 4303
0x22–0x24		4	Reserved <sup>(1)</sup>	
0x25	PWM MUX register	4	Description shown in subsequent section	0x0102 1345
0x26–0x28		4	Reserved <sup>(1)</sup>	
0x29	ch1_bq[0]	20	u[31:26], b0[25:0]	0x0080 0000
			u[31:26], b1[25:0]	0x0000 0000
			u[31:26], b2[25:0]	0x0000 0000
			u[31:26], a1[25:0]	0x0000 0000
			u[31:26], a2[25:0]	0x0000 0000
0x2A	ch1_bq[1]	20	u[31:26], b0[25:0]	0x0080 0000
			u[31:26], b1[25:0]	0x0000 0000
			u[31:26], b2[25:0]	0x0000 0000
			u[31:26], a1[25:0]	0x0000 0000
			u[31:26], a2[25:0]	0x0000 0000
0x2B	ch1_bq[2]	20	u[31:26], b0[25:0]	0x0080 0000
			u[31:26], b1[25:0]	0x0000 0000
			u[31:26], b2[25:0]	0x0000 0000
			u[31:26], a1[25:0]	0x0000 0000
			u[31:26], a2[25:0]	0x0000 0000
0x2C	ch1_bq[3]	20	u[31:26], b0[25:0]	0x0080 0000
			u[31:26], b1[25:0]	0x0000 0000
			u[31:26], b2[25:0]	0x0000 0000
			u[31:26], a1[25:0]	0x0000 0000
			u[31:26], a2[25:0]	0x0000 0000

(1) Reserved registers should not be accessed.

**Register Maps (continued)**
**Table 4. Serial Control Interface Register Summary (continued)**

SUBADDRESS	REGISTER NAME	NO. OF BYTES	CONTENTS	DEFAULT VALUE
0x2D	ch1_bq[4]	20	u[31:26], b0[25:0]	0x0080 0000
			u[31:26], b1[25:0]	0x0000 0000
			u[31:26], b2[25:0]	0x0000 0000
			u[31:26], a1[25:0]	0x0000 0000
			u[31:26], a2[25:0]	0x0000 0000
0x2E	ch1_bq[5]	20	u[31:26], b0[25:0]	0x0080 0000
			u[31:26], b1[25:0]	0x0000 0000
			u[31:26], b2[25:0]	0x0000 0000
			u[31:26], a1[25:0]	0x0000 0000
			u[31:26], a2[25:0]	0x0000 0000
0x2F	ch1_bq[6]	20	u[31:26], b0[25:0]	0x0080 0000
			u[31:26], b1[25:0]	0x0000 0000
			u[31:26], b2[25:0]	0x0000 0000
			u[31:26], a1[25:0]	0x0000 0000
			u[31:26], a2[25:0]	0x0000 0000
0x30	ch2_bq[0]	20	u[31:26], b0[25:0]	0x0080 0000
			u[31:26], b1[25:0]	0x0000 0000
			u[31:26], b2[25:0]	0x0000 0000
			u[31:26], a1[25:0]	0x0000 0000
			u[31:26], a2[25:0]	0x0000 0000
0x31	ch2_bq[1]	20	u[31:26], b0[25:0]	0x0080 0000
			u[31:26], b1[25:0]	0x0000 0000
			u[31:26], b2[25:0]	0x0000 0000
			u[31:26], a1[25:0]	0x0000 0000
			u[31:26], a2[25:0]	0x0000 0000
0x32	ch2_bq[2]	20	u[31:26], b0[25:0]	0x0080 0000
			u[31:26], b1[25:0]	0x0000 0000
			u[31:26], b2[25:0]	0x0000 0000
			u[31:26], a1[25:0]	0x0000 0000
			u[31:26], a2[25:0]	0x0000 0000
0x33	ch2_bq[3]	20	u[31:26], b0[25:0]	0x0080 0000
			u[31:26], b1[25:0]	0x0000 0000
			u[31:26], b2[25:0]	0x0000 0000
			u[31:26], a1[25:0]	0x0000 0000
			u[31:26], a2[25:0]	0x0000 0000
0x34	ch2_bq[4]	20	u[31:26], b0[25:0]	0x0080 0000
			u[31:26], b1[25:0]	0x0000 0000
			u[31:26], b2[25:0]	0x0000 0000
			u[31:26], a1[25:0]	0x0000 0000
			u[31:26], a2[25:0]	0x0000 0000
0x35	ch2_bq[5]	20	u[31:26], b0[25:0]	0x0080 0000
			u[31:26], b1[25:0]	0x0000 0000
			u[31:26], b2[25:0]	0x0000 0000
			u[31:26], a1[25:0]	0x0000 0000
			u[31:26], a2[25:0]	0x0000 0000



**Register Maps (continued)**
**Table 4. Serial Control Interface Register Summary (continued)**

SUBADDRESS	REGISTER NAME	NO. OF BYTES	CONTENTS	DEFAULT VALUE
0x36	ch2_bq[6]	20	u[31:26], b0[25:0]	0x0080 0000
			u[31:26], b1[25:0]	0x0000 0000
			u[31:26], b2[25:0]	0x0000 0000
			u[31:26], a1[25:0]	0x0000 0000
			u[31:26], a2[25:0]	0x0000 0000
0x37–0x39		4	Reserved <sup>(1)</sup>	
0x3A	DRC1 ae <sup>(2)</sup>	8	u[31:26], ae[25:0]	0x0080 0000
	DRC1 (1 – ae)		u[31:26], (1 – ae)[25:0]	0x0000 0000
0x3B	DRC1 aa	8	u[31:26], aa[25:0]	0x0080 0000
	DRC1 (1 – aa)		u[31:26], (1 – aa)[25:0]	0x0000 0000
0x3C	DRC1 ad	8	u[31:26], ad[25:0]	0x0080 0000
	DRC1 (1 – ad)		u[31:26], (1 – ad)[25:0]	0x0000 0000
0x3D	DRC2 ae	8	u[31:26], ae[25:0]	0x0080 0000
	DRC 2 (1 – ae)		u[31:26], (1 – ae)[25:0]	0x0000 0000
0x3E	DRC2 aa	8	u[31:26], aa[25:0]	0x0080 0000
	DRC2 (1 – aa)		u[31:26], (1 – aa)[25:0]	0x0000 0000
0x3F	DRC2 ad	8	u[31:26], ad[25:0]	0x0080 0000
	DRC2 (1 – ad)		u[31:26], (1 – ad)[25:0]	0x0000 0000
0x40	DRC1-T	4	T1[31:0] (9.23 format)	0xFDA2 1490
0x41	DRC1-K	4	u[31:26], K1[25:0]	0x0384 2109
0x42	DRC1-O	4	u[31:26], O1[25:0]	0x0008 4210
0x43	DRC2-T	4	T2[31:0] (9.23 format)	0xFDA2 1490
0x44	DRC2-K	4	u[31:26], K2[25:0]	0x0384 2109
0x45	DRC2-O	4	u[31:26], O2[25:0]	0x0008 4210
0x46	DRC control	4	Description shown in subsequent section	0x0000 0000
0x47–0x4F		4	Reserved <sup>(1)</sup>	
0x50	Bank switch control	4	Description shown in subsequent section	0x0F70 8000
0x51	Ch 1 output mixer	12	Ch 1 output mix1[2]	0x0080 0000
			Ch 1 output mix1[1]	0x0000 0000
			Ch 1 output mix1[0]	0x0000 0000
0x52	Ch 2 output mixer	12	Ch 2 output mix2[2]	0x0080 0000
			Ch 2 output mix2[1]	0x0000 0000
			Ch 2 output mix2[0]	0x0000 0000
0x53	Ch 1 input mixer	16	Ch 1 input mixer[3]	0x0080 0000
			Ch 1 input mixer[2]	0x0000 0000
			Ch 1 input mixer[1]	0x0000 0000
			Ch 1 input mixer[0]	0x0080 0000
0x54	Ch 2 input mixer	16	Ch 2 input mixer[3]	0x0080 0000
			Ch 2 input mixer[2]	0x0000 0000
			Ch 2 input mixer[1]	0x0000 0000
			Ch 2 input mixer[0]	0x0080 0000
0x55	Channel 3 input mixer	12	Channel 3 input mixer [2]	0x0080 0000
			Channel 3 input mixer [1]	0x0000 0000
			Channel 3 input mixer [0]	0x0000 0000

(2) ae stands for  $\alpha$  of energy filter, aa stands for  $\alpha$  of attack filter and ad stands for  $\alpha$  of decay filter and  $1 - \alpha = \omega$ .

**Register Maps (continued)**
**Table 4. Serial Control Interface Register Summary (continued)**

SUBADDRESS	REGISTER NAME	NO. OF BYTES	CONTENTS	DEFAULT VALUE
0x56	Output post-scale	4	u[31:26], post[25:0]	0x0080 0000
0x57	Output pre-scale	4	u[31:26], pre[25:0] (9.17 format)	0x0002 0000
0x58	ch1 BQ[7]	20	u[31:26], b0[25:0]	0x0080 0000
			u[31:26], b1[25:0]	0x0000 0000
			u[31:26], b2[25:0]	0x0000 0000
			u[31:26], a1[25:0]	0x0000 0000
			u[31:26], a2[25:0]	0x0000 0000
0x59	ch1 BQ[8]	20	u[31:26], b0[25:0]	0x0080 0000
			u[31:26], b1[25:0]	0x0000 0000
			u[31:26], b2[25:0]	0x0000 0000
			u[31:26], a1[25:0]	0x0000 0000
			u[31:26], a2[25:0]	0x0000 0000
0x5A	Subchannel BQ[0]	20	u[31:26], b0[25:0]	0x0080 0000
			u[31:26], b1[25:0]	0x0000 0000
			u[31:26], b2[25:0]	0x0000 0000
			u[31:26], a1[25:0]	0x0000 0000
			u[31:26], a2[25:0]	0x0000 0000
0x5B	Subchannel BQ[1]	20	u[31:26], b0[25:0]	0x0080 0000
			u[31:26], b1[25:0]	0x0000 0000
			u[31:26], b2[25:0]	0x0000 0000
			u[31:26], a1[25:0]	0x0000 0000
			u[31:26], a2[25:0]	0x0000 0000
0x5C	ch2 BQ[7]	20	u[31:26], b0[25:0]	0x0080 0000
			u[31:26], b1[25:0]	0x0000 0000
			u[31:26], b2[25:0]	0x0000 0000
			u[31:26], a1[25:0]	0x0000 0000
			u[31:26], a2[25:0]	0x0000 0000
0x5D	ch2 BQ[8]	20	u[31:26], b0[25:0]	0x0080 0000
			u[31:26], b1[25:0]	0x0000 0000
			u[31:26], b2[25:0]	0x0000 0000
			u[31:26], a1[25:0]	0x0000 0000
			u[31:26], a2[25:0]	0x0000 0000
0x5E	pseudo_ch2 BQ[0]	20	u[31:26], b0[25:0]	0x0080 0000
			u[31:26], b1[25:0]	0x0000 0000
			u[31:26], b2[25:0]	0x0000 0000
			u[31:26], a1[25:0]	0x0000 0000
			u[31:26], a2[25:0]	0x0000 0000
0x5F		4	Reserved <sup>(1)</sup>	
0x60	Channel 4 (subchannel) output mixer	8	Ch 4 output mixer[1]	0x0000 0000
			Ch 4 output mixer[0]	0x0080 0000
0x61	Channel 4 (subchannel) input mixer	8	Ch 4 input mixer[1]	0x0040 0000
			Ch 4 input mixer[0]	0x0040 0000
0x62	IDF post scale	4	Post-IDF attenuation register	0x0000 0080
0x63–0xF7			Reserved <sup>(1)</sup>	0x0000 0000

**Register Maps (continued)**
**Table 4. Serial Control Interface Register Summary (continued)**

SUBADDRESS	REGISTER NAME	NO. OF BYTES	CONTENTS	DEFAULT VALUE
0xF8	Device address enable register	4	Write F9 A5 A5 A5 in this register to enable write to device address update (0xF9)	0x0000 0000
0xF9	Device address Update Register	4	u[31:8], New Dev Id[7:1] , ZERO[0] (New Dev Id (7:1) defines the new device address)	0X0000 0036
0xFA–0xFF		4	Reserved <sup>(1)</sup>	0x0000 0000

**9.6.1 Clock Control Register (0x00)**

The clocks and data rates are automatically determined by the TAS5721. The clock control register contains the auto-detected clock status. Bits D7–D5 reflect the sample rate. Bits D4–D2 reflect the MCLK frequency. The device accepts a 64  $f_S$  or 32  $f_S$  SCLK rate for all MCLK ratios, but accepts a 48  $f_S$  SCLK rate for MCLK ratios of 192  $f_S$  and 384  $f_S$  only.

**Table 5. Clock Control Register (0x00)**

D7	D6	D5	D4	D3	D2	D1	D0	FUNCTION
0	0	0	–	–	–	–	–	$f_S = 32$ -kHz sample rate
0	0	1	–	–	–	–	–	Reserved <sup>(1)</sup>
0	1	0	–	–	–	–	–	Reserved <sup>(1)</sup>
<b>0</b>	<b>1</b>	<b>1</b>	–	–	–	–	–	<b><math>f_S = 44.1/48</math>-kHz sample rate <sup>(2)</sup></b>
1	0	0	–	–	–	–	–	$f_S = 16$ -kHz sample rate
1	0	1	–	–	–	–	–	$f_S = 22.05/24$ -kHz sample rate
1	1	0	–	–	–	–	–	$f_S = 8$ -kHz sample rate
1	1	1	–	–	–	–	–	$f_S = 11.025/12$ -kHz sample rate
–	–	–	0	0	0	–	–	MCLK frequency = $64 \times f_S$ <sup>(3)</sup>
–	–	–	0	0	1	–	–	MCLK frequency = $128 \times f_S$ <sup>(3)</sup>
–	–	–	0	1	0	–	–	MCLK frequency = $192 \times f_S$ <sup>(4)</sup>
–	–	–	<b>0</b>	<b>1</b>	<b>1</b>	–	–	<b>MCLK frequency = <math>256 \times f_S</math> <sup>(2) (5)</sup></b>
–	–	–	1	0	0	–	–	MCLK frequency = $384 \times f_S$
–	–	–	1	0	1	–	–	MCLK frequency = $512 \times f_S$
–	–	–	1	1	0	–	–	Reserved <sup>(1)</sup>
–	–	–	1	1	1	–	–	Reserved <sup>(1)</sup>
–	–	–	–	–	–	<b>0</b>	–	<b>Reserved<sup>(1) (2)</sup></b>
–	–	–	–	–	–	–	<b>0</b>	<b>Reserved<sup>(1) (2)</sup></b>

(1) Reserved registers should not be accessed.

(2) Default values are in **bold**.

(3) Only available for 44.1-kHz and 48-kHz rates.

(4) Rate only available for 32/44.1/48-kHz sample rates

(5) Not available at 8 kHz

**9.6.2 Device ID Register (0x01)**

The device ID register contains the ID code for the firmware revision

**Table 6. Device ID Register (0x01)**

D7	D6	D5	D4	D3	D2	D1	D0	FUNCTION
0	0	0	0	0	0	0	0	Identification code

### 9.6.3 Error Status Register (0x02)

The error bits are sticky and are not cleared by the hardware. This means that the software must clear the register (write zeroes) and then read them to determine if they are persistent errors.

Error Definitions:

- MCLK Error : MCLK frequency is changing. The number of MCLKs per LRCLK is changing.
- SCLK Error: The number of SCLKs per LRCLK is changing.
- LRCLK Error: LRCLK frequency is changing.
- Frame Slip: LRCLK phase is drifting with respect to internal frame sync.

**Table 7. Error Status Register (0x02)**

D7	D6	D5	D4	D3	D2	D1	D0	FUNCTION
1	-	-	-	-	-	-	-	MCLK error
-	1	-	-	-	-	-	-	PLL autolock error
-	-	1	-	-	-	-	-	SCLK error
-	-	-	1	-	-	-	-	LRCLK error
-	-	-	-	1	-	-	-	Frame slip
-	-	-	-	-	1	-	-	Clip indicator
-	-	-	-	-	-	1	-	Overcurrent, overtemperature, overvoltage or undervoltage errors
-	-	-	-	-	-	-	<b>0</b>	<b>Reserved</b>
<b>0</b>	<b>0</b>	<b>0</b>	<b>0</b>	<b>0</b>	<b>0</b>	<b>0</b>	-	<b>No errors</b> <sup>(1)</sup>

(1) Default values are in **bold**.

### 9.6.4 System Control Register 1 (0x03)

The system control register 1 has several functions:

- Bit D7: If 0, the dc-blocking filter for each channel is disabled.  
If 1, the dc-blocking filter (–3 dB cutoff < 1 Hz) for each channel is enabled (default).
- Bit D5: If 0, use soft unmute on recovery from clock error. This is a slow recovery. Unmute takes the same time as the volume ramp defined in register 0x0E.  
If 1, use hard unmute on recovery from clock error (default). This is a fast recovery, a single step volume ramp
- Bits D1–D0: Select de-emphasis

**Table 8. System Control Register 1 (0x03)**

D7	D6	D5	D4	D3	D2	D1	D0	FUNCTION
0	–	–	–	–	–	–	–	PWM high-pass (dc blocking) disabled
1	–	–	–	–	–	–	–	<b>PWM high-pass (dc blocking) enabled</b> <sup>(1)</sup>
–	<b>0</b>	–	–	–	–	–	–	<b>Reserved</b> <sup>(1)</sup>
–	–	0	–	–	–	–	–	Soft unmute on recovery from clock error
–	–	<b>1</b>	–	–	–	–	–	<b>Hard unmute on recovery from clock error</b> <sup>(1)</sup>
–	–	–	<b>0</b>	–	–	–	–	<b>Reserved</b> <sup>(1)</sup>
–	–	–	–	<b>0</b>	–	–	–	<b>Reserved</b> <sup>(1)</sup>
–	–	–	–	–	<b>0</b>	–	–	<b>Reserved</b> <sup>(1)</sup>
–	–	–	–	–	–	<b>0</b>	<b>0</b>	<b>No de-emphasis</b> <sup>(1)</sup>
–	–	–	–	–	–	0	1	De-emphasis for $f_S = 32$ kHz
–	–	–	–	–	–	1	0	De-emphasis for $f_S = 44.1$ kHz
–	–	–	–	–	–	1	1	De-emphasis for $f_S = 48$ kHz

(1) Default values are in **bold**.

### 9.6.5 Serial Data Interface Register (0x04)

As shown in [Table 9](#), the TAS5721 supports nine serial data modes. The default is 24-bit, I<sup>2</sup>S mode,

**Table 9. Serial Data Interface Control Register (0x04) Format**

RECEIVE SERIAL DATA INTERFACE FORMAT	WORD LENGTH	D7–D4	D3	D2	D1	D0
Right-justified	16	0000	0	0	0	0
Right-justified	20	0000	0	0	0	1
Right-justified	24	0000	0	0	1	0
I <sup>2</sup> S	16	000	0	0	1	1
I <sup>2</sup> S	20	0000	0	1	0	0
<b>I<sup>2</sup>S</b> <sup>(1)</sup>	<b>24</b>	<b>0000</b>	<b>0</b>	<b>1</b>	<b>0</b>	<b>1</b>
Left-justified	16	0000	0	1	1	0
Left-justified	20	0000	0	1	1	1
Left-justified	24	0000	1	0	0	0
Reserved		0000	1	0	0	1
Reserved		0000	1	0	1	0
Reserved		0000	1	0	1	1
Reserved		0000	1	1	0	0
Reserved		0000	1	1	0	1
Reserved		0000	1	1	1	0
Reserved		0000	1	1	1	1

(1) Default values are in **bold**.

### 9.6.6 System Control Register 2 (0x05)

When bit D6 is set low, the system exits all channel shutdown and starts playing audio; otherwise, the outputs are shut down (hard mute).

**Table 10. System Control Register 2 (0x05)**

D7	D6	D5	D4	D3	D2	D1	D0	FUNCTION
<b>0</b>	–	–	–	–	–	–	–	<b>Mid-Z ramp disabled</b> <sup>(1)</sup>
1	–	–	–	–	–	–	–	Mid-Z ramp enabled
–	<b>0</b>	–	–	–	–	–	–	Exit all-channel shutdown (normal operation)
–	<b>1</b>	–	–	–	–	–	–	<b>Enter all-channel shutdown (hard mute)</b> <sup>(1)</sup>
–	–	–	–	–	<b>0</b>	–	–	<b>2.0 mode [2.0 BTL]</b> <sup>(1)</sup>
–	–	–	–	–	1	–	–	2.1 mode [2 SE + 1 BTL]
–	–	–	–	–	–	<b>0</b>	–	<b>ADR/<math>\overline{\text{FAULT}}</math> pin is configured as to serve as an address input only</b> <sup>(1)</sup>
–	–	–	–	–	–	1	–	ADR/ $\overline{\text{FAULT}}$ pin is configured as fault output
–	–	<b>0</b>	<b>0</b>	<b>0</b>	–	–	<b>0</b>	<b>Reserved</b> <sup>(1)</sup>

(1) Default values are in **bold**.

### 9.6.7 Soft Mute Register (0x06)

Writing a 1 to any of the following bits sets the output of the respective channel to 50% duty cycle (soft mute).

**Table 11. Soft Mute Register (0x06)**

D7	D6	D5	D4	D3	D2	D1	D0	FUNCTION
<b>0</b>	<b>0</b>	<b>0</b>	<b>0</b>	<b>0</b>	–	–	–	<b>Reserved</b> <sup>(1)</sup>
–	–	–	–	–	<b>0</b>	–	–	<b>Soft unmute channel 3</b> <sup>(1)</sup>
–	–	–	–	–	1	–	–	Soft mute channel 3
–	–	–	–	–	–	<b>0</b>	–	<b>Soft unmute channel 2</b> <sup>(1)</sup>
–	–	–	–	–	–	1	–	Soft mute channel 2
–	–	–	–	–	–	–	<b>0</b>	<b>Soft unmute channel 1</b> <sup>(1)</sup>
–	–	–	–	–	–	–	1	Soft mute channel 1

(1) Default values are in **bold**.

### 9.6.8 Volume Registers (0x07, 0x08, 0x09, 0x0A)

Step size is 0.5 dB

Master volume	– 0x07 (default is mute)
Channel-1 volume	– 0x08 (default is 0 dB)
Channel-2 volume	– 0x09 (default is 0 dB)
Channel-3 volume	– 0x0A (default is 0 dB)

**Table 12. Volume Registers (0x07, 0x08, 0x09, 0x0A)**

D7	D6	D5	D4	D3	D2	D1	D0	FUNCTION
0	0	0	0	0	0	0	0	24 dB
<b>0</b>	<b>0</b>	<b>1</b>	<b>1</b>	<b>0</b>	<b>0</b>	<b>0</b>	<b>0</b>	<b>0 dB (default for individual channel volume) <sup>(1)</sup></b>
1	1	1	1	1	1	1	0	–103 dB
<b>1</b>	<b>1</b>	<b>1</b>	<b>1</b>	<b>1</b>	<b>1</b>	<b>1</b>	<b>1</b>	<b>Soft mute (default for the master volume) <sup>(1)</sup></b>

(1) Default values are in **bold**.

### 9.6.9 Volume Configuration Register (0x0E)

Bits D2–D0: Volume slew rate (Used to control volume change and MUTE ramp rates). These bits control the number of steps in a volume ramp. Volume steps occur at a rate that depends on the sample rate of the I<sup>2</sup>S data as follows:

Sample Rate (KHz)	Approximate Ramp Rate
8/16/32	125 us/step
11.025/22.05/44.1	90.7 us/step
12/24/48	83.3 us/step

**Table 13. Volume Control Register (0x0E)**

D7	D6	D5	D4	D3	D2	D1	D0	FUNCTION
<b>1</b>	–	–	<b>1</b>	<b>0</b>	–	–	–	<b>Reserved <sup>(1)</sup></b>
–	<b>0</b>	–	–	–	–	–	–	<b>Subchannel (ch4) volume = ch1 volume <sup>(2)(1)</sup></b>
–	1	–	–	–	–	–	–	Subchannel volume = register 0x0A <sup>(2)</sup>
–	–	<b>0</b>	–	–	–	–	–	<b>Ch3 volume = ch2 volume <sup>(1)</sup></b>
–	–	1	–	–	–	–	–	Ch3 volume = register 0x0A
–	–	–	–	–	0	0	0	Volume slew 512 steps (43-ms volume ramp time at 48 kHz)
–	–	–	–	–	<b>0</b>	<b>0</b>	<b>1</b>	<b>Volume slew 1024 steps (85-ms volume ramp time at 48 kHz) <sup>(1)</sup></b>
–	–	–	–	–	0	1	0	Volume slew 2048 steps (171- ms volume ramp time at 48 kHz)
–	–	–	–	–	0	1	1	Volume slew 256 steps (21-ms volume ramp time at 48 kHz)
–	–	–	–	–	1	X	X	Reserved

(1) Default values are in **bold**.

(2) Bits 6:5 can be changed only when volume is in MUTE [master volume = MUTE (register 0x07 = 0xFF)].

### 9.6.10 Modulation Limit Register (0x10)

The modulation limit is the maximum duty cycle of the PWM output waveform. It is important to note that for any applications with PVDD greater than 18 V, the maximum modulation index must be set to 93.8%.

**Table 14. Modulation Limit Register (0x10)**

D7	D6	D5	D4	D3	D2	D1	D0	MODULATION LIMIT
–	–	–	–	–	0	0	0	99.2%
–	–	–	–	–	0	0	1	98.4%
–	–	–	–	–	<b>0</b>	<b>1</b>	<b>0</b>	<b>97.7%</b> <sup>(1)</sup>
–	–	–	–	–	0	1	1	96.9%
–	–	–	–	–	1	0	0	96.1%
–	–	–	–	–	1	0	1	95.3%
–	–	–	–	–	1	1	0	94.5%
–	–	–	–	–	1	1	1	93.8%
<b>0</b>	<b>0</b>	<b>0</b>	<b>0</b>	<b>0</b>	–	–	–	<b>RESERVED</b>

(1) Default values are in **bold**.

### 9.6.11 Interchannel Delay Registers (0x11, 0x12, 0x13, and 0x14)

Internal PWM channels 1, 2,  $\bar{1}$ , and  $\bar{2}$  are mapped into registers 0x11, 0x12, 0x13, and 0x14.

**Table 15. Channel Interchannel Delay Register Format**

SUBADDRESS	D7	D6	D5	D4	D3	D2	D1	D0	Delay = (value) × 4 DCLKs
<b>0x11</b>	<b>1</b>	<b>0</b>	<b>1</b>	<b>0</b>	<b>1</b>	<b>1</b>	–	–	Default value for channel 1 <sup>(1)</sup>
<b>0x12</b>	<b>0</b>	<b>1</b>	<b>0</b>	<b>1</b>	<b>0</b>	<b>1</b>	–	–	Default value for channel 2 <sup>(1)</sup>
<b>0x13</b>	<b>1</b>	<b>0</b>	<b>1</b>	<b>0</b>	<b>1</b>	<b>1</b>	–	–	Default value for channel $\bar{1}$ <sup>(1)</sup>
<b>0x14</b>	<b>0</b>	<b>1</b>	<b>0</b>	<b>1</b>	<b>0</b>	<b>1</b>	–	–	Default value for channel $\bar{2}$ <sup>(1)</sup>
<b>RANGE OF VALUES FOR 0x11 - 0x14</b>									
	0	0	0	0	0	0	–	–	Minimum absolute delay, 0 DCLK cycles
	0	1	1	1	1	1	–	–	Maximum positive delay, 31 × 4 DCLK cycles
	1	0	0	0	0	0	–	–	Maximum negative delay, –32 × 4 DCLK cycles
							<b>0</b>	<b>0</b>	<b>RESERVED</b>

(1) Default values are in **bold**.

The ICD settings have high impact on audio performance (for example, dynamic range, THD+N, crosstalk, and so forth). Therefore, appropriate ICD settings must be used. By default, the device has ICD settings for AD mode. If used in BD mode, then update these registers before coming out of all-channel shutdown.

REGISTER	AD MODE	BD MODE
0x11	AC	B8
0x12	54	60
0x13	AC	A0
0x14	54	48



### 9.6.12 Pwm Shutdown Group Register (0x19)

Settings of this register determine which PWM channels are active. The value should be 0x30 for BTL mode and 0x3A for PBTTL mode. The default value of this register is 0x30. The functionality of this register is tied to the state of bit D6 in the system control register.

This register defines which channels belong to the shutdown group (SDG). If a 1 is set in the shutdown group register, that particular channel is **not** started following an exit *out of all-channel shutdown* command (if bit D6 is set to 0 in system control register 2, 0x05).

**Table 16. Shutdown Group Register**

D7	D6	D5	D4	D3	D2	D1	D0	FUNCTION
<b>0</b>	–	–	–	–	–	–	–	Reserved <sup>(1)</sup>
–	<b>0</b>	–	–	–	–	–	–	Reserved <sup>(1)</sup>
–	–	<b>1</b>	–	–	–	–	–	Reserved <sup>(1)</sup>
–	–	–	<b>1</b>	–	–	–	–	Reserved <sup>(1)</sup>
–	–	–	–	<b>0</b>	–	–	–	PWM channel 4 does not belong to shutdown group. <sup>(1)</sup>
–	–	–	–	1	–	–	–	PWM channel 4 belongs to shutdown group.
–	–	–	–	–	<b>0</b>	–	–	PWM channel 3 does not belong to shutdown group. <sup>(1)</sup>
–	–	–	–	–	1	–	–	PWM channel 3 belongs to shutdown group.
–	–	–	–	–	–	<b>0</b>	–	PWM channel 2 does not belong to shutdown group. <sup>(1)</sup>
–	–	–	–	–	–	1	–	PWM channel 2 belongs to shutdown group.
–	–	–	–	–	–	–	<b>0</b>	PWM channel 1 does not belong to shutdown group. <sup>(1)</sup>
–	–	–	–	–	–	–	1	PWM channel 1 belongs to shutdown group.

(1) Default values are in **bold**.

**9.6.13 Start/stop Period Register (0x1A)**

This register is used to control the soft-start and soft-stop period following an enter/exit all channel shut down command or change in the PDN state. This helps reduce pops and clicks at start-up and shutdown. The times are only approximate and vary depending on device activity level and I<sup>2</sup>S clock stability.

**Table 17. Start/Stop Period Register (0x1A)**

D7	D6	D5	D4	D3	D2	D1	D0	FUNCTION
<b>0</b>	–	–	–	–	–	–	–	<b>SSTIMER enabled</b> <sup>(1)</sup>
1	–	–	–	–	–	–	–	SSTIMER disabled
–	<b>0</b>	<b>0</b>	–	–	–	–	–	<b>Reserved</b> <sup>(1)</sup>
–	–	–	0	0	–	–	–	No 50% duty cycle start/stop period
–	–	–	0	1	0	0	0	16.5-ms 50% duty cycle start/stop period
–	–	–	0	1	0	0	1	23.9-ms 50% duty cycle start/stop period
–	–	–	0	1	0	1	0	31.4-ms 50% duty cycle start/stop period
–	–	–	0	1	0	1	1	40.4-ms 50% duty cycle start/stop period
–	–	–	0	1	1	0	0	53.9-ms 50% duty cycle start/stop period
–	–	–	0	1	1	0	1	70.3-ms 50% duty cycle start/stop period
–	–	–	0	1	1	1	0	94.2-ms 50% duty cycle start/stop period
–	–	–	<b>0</b>	<b>1</b>	<b>1</b>	<b>1</b>	<b>1</b>	<b>125.7-ms 50% duty cycle start/stop period</b> <sup>(1)</sup>
–	–	–	1	0	0	0	0	164.6-ms 50% duty cycle start/stop period
–	–	–	1	0	0	0	1	239.4-ms 50% duty cycle start/stop period
–	–	–	1	0	0	1	0	314.2-ms 50% duty cycle start/stop period
–	–	–	1	0	0	1	1	403.9-ms 50% duty cycle start/stop period
–	–	–	1	0	1	0	0	538.6-ms 50% duty cycle start/stop period
–	–	–	1	0	1	0	1	703.1-ms 50% duty cycle start/stop period
–	–	–	1	0	1	1	0	942.5-ms 50% duty cycle start/stop period
–	–	–	1	0	1	1	1	1256.6-ms 50% duty cycle start/stop period
–	–	–	1	1	0	0	0	1728.1-ms 50% duty cycle start/stop period
–	–	–	1	1	0	0	1	2513.6-ms 50% duty cycle start/stop period
–	–	–	1	1	0	1	0	3299.1-ms 50% duty cycle start/stop period
–	–	–	1	1	0	1	1	4241.7-ms 50% duty cycle start/stop period
–	–	–	1	1	1	0	0	5655.6-ms 50% duty cycle start/stop period
–	–	–	1	1	1	0	1	7383.7-ms 50% duty cycle start/stop period
–	–	–	1	1	1	1	0	9897.3-ms 50% duty cycle start/stop period
–	–	–	1	1	1	1	1	13,196.4-ms 50% duty cycle start/stop period

(1) Default values are in **bold**.

### 9.6.14 Oscillator Trim Register (0x1B)

The TAS5721 PWM processor contains an internal oscillator to support autodetect of I<sup>2</sup>S clock rates. This reduces system cost because an external reference is not required. TI recommends a reference resistor value of that shown in the [Typical Application Diagrams](#). The circuit that uses this resistor should be calibrated or trimmed after each time the device is reset.

Writing 0x00 to register 0x1B enables the trim that was programmed at the factory. It is important to note that after writing the value 0x00 to the trim register, the register will report the value 0xC0, to indicate the trim process is complete.

**Table 18. Oscillator Trim Register (0x1B)**

D7	D6	D5	D4	D3	D2	D1	D0	FUNCTION
<b>1</b>	–	–	–	–	–	–	–	Reserved <sup>(1)</sup>
–	<b>0</b>	–	–	–	–	–	–	Oscillator trim not done (read-only) <sup>(1)</sup>
–	<b>1</b>	–	–	–	–	–	–	Oscillator trim done (read only)
–	–	<b>0</b>	<b>0</b>	<b>0</b>	<b>0</b>	–	–	Reserved <sup>(1)</sup>
–	–	–	–	–	–	0	–	Select factory trim (Write a 0 to select factory trim; default is 1.)
–	–	–	–	–	–	<b>1</b>	–	Factory trim disabled <sup>(1)</sup>
–	–	–	–	–	–	–	<b>0</b>	Reserved <sup>(1)</sup>

(1) Default values are in **bold**.

### 9.6.15 BKND\_ERR Register (0x1C)

When a backend error signal is received from the internal power stage, the power stage is reset stopping all PWM activity. Subsequently, the modulator waits approximately for the time listed in [Table 19](#) before attempting to restart the power stage.

**Table 19. BKND\_ERR Register (0x1C)<sup>(1)</sup>**

D7	D6	D5	D4	D3	D2	D1	D0	FUNCTION
0	0	0	0	0	0	0	X	Reserved
–	–	–	–	<b>0</b>	<b>0</b>	<b>1</b>	<b>0</b>	Set back-end reset period to 299 ms <sup>(2)</sup>
–	–	–	–	0	0	1	1	Set back-end reset period to 449 ms
–	–	–	–	0	1	0	0	Set back-end reset period to 598 ms
–	–	–	–	0	1	0	1	Set back-end reset period to 748 ms
–	–	–	–	0	1	1	0	Set back-end reset period to 898 ms
–	–	–	–	0	1	1	1	Set back-end reset period to 1047 ms
–	–	–	–	1	0	0	0	Set back-end reset period to 1197 ms
–	–	–	–	1	0	0	1	Set back-end reset period to 1346 ms
–	–	–	–	1	0	1	X	Set back-end reset period to 1496 ms
–	–	–	–	1	1	X	X	

(1) This register can be written only with a non-reserved value. Also this register can be only be written once after the device is reset. If a different value is desired, the device must be reset before changing 0x1C again.

(2) Default values are in **bold**.

**9.6.16 Input Multiplexer Register (0x20)**

This register controls the modulation scheme (AD or BD mode) as well as the routing of I<sup>2</sup>S audio to the internal channels.

**Table 20. Input Multiplexer Register (0x20)**

D31	D30	D29	D28	D27	D26	D25	D24	FUNCTION
<b>0</b>	<b>0</b>	<b>0</b>	<b>0</b>	<b>0</b>	-	-	-	Reserved <sup>(1)</sup>
					<b>0</b>			Polarity of Ch3 is not inverted
					1			Polarity of Ch3 is inverted
						<b>0</b>		Polarity of Ch2 is not inverted
						1		Polarity of Ch2 is inverted
							<b>0</b>	Polarity of Ch1 is not inverted
							1	Polarity of Ch1 is inverted
D23	D22	D21	D20	D19	D18	D17	D16	FUNCTION
<b>0</b>	-	-	-	-	-	-	-	Channel-1 AD mode <sup>(1)</sup>
1	-	-	-	-	-	-	-	Channel-1 BD mode
-	<b>0</b>	<b>0</b>	<b>0</b>	-	-	-	-	SDIN-L to channel 1 <sup>(1)</sup>
-	0	0	1	-	-	-	-	SDIN-R to channel 1
-	0	1	0	-	-	-	-	Reserved
-	0	1	1	-	-	-	-	Reserved
-	1	0	0	-	-	-	-	Reserved
-	1	0	1	-	-	-	-	Reserved
-	1	1	0	-	-	-	-	Ground (0) to channel 1
-	1	1	1	-	-	-	-	Reserved
-	-	-	-	<b>0</b>	-	-	-	Channel 2 AD mode <sup>(1)</sup>
-	-	-	-	1	-	-	-	Channel 2 BD mode
-	-	-	-	-	0	0	0	SDIN-L to channel 2
-	-	-	-	-	<b>0</b>	<b>0</b>	<b>1</b>	SDIN-R to channel 2 <sup>(1)</sup>
-	-	-	-	-	0	1	0	Reserved
-	-	-	-	-	0	1	1	Reserved
-	-	-	-	-	1	0	0	Reserved
-	-	-	-	-	1	0	1	Reserved
-	-	-	-	-	1	1	0	Ground (0) to channel 2
-	-	-	-	-	1	1	1	Reserved
D15	D14	D13	D12	D11	D10	D9	D8	FUNCTION
<b>0</b>	<b>1</b>	<b>1</b>	<b>1</b>	<b>0</b>	<b>1</b>	<b>1</b>	<b>1</b>	Reserved <sup>(1)</sup>
D7	D6	D5	D4	D3	D2	D1	D0	FUNCTION
				0				Sub channel in 2.1 mode, AD modulation
				1				Sub channel in 2.1 mode, BD modulation
<b>0</b>	<b>1</b>	<b>1</b>	<b>1</b>	-	<b>0</b>	<b>1</b>	<b>0</b>	Reserved <sup>(1)</sup>

(1) Default values are in **bold**.

### 9.6.17 Channel 4 Source Select Register (0x21)

This register selects the channel 4 source.

**Table 21. Subchannel Control Register (0x21)**

D31	D30	D29	D28	D27	D26	D25	D24	FUNCTION
0	0	0	0	0	0	0	0	Reserved <sup>(1)</sup>
D23	D22	D21	D20	D19	D18	D17	D16	FUNCTION
0	0	0	0	0	0	0	0	Reserved <sup>(1)</sup>
D15	D14	D13	D12	D11	D10	D9	D8	FUNCTION
0	1	0	0	0	0	1		Reserved <sup>(1)</sup>
–	–	–	–	–	–	–	0	(L + R)/2
–	–	–	–	–	–	–	1	Left-channel post-BQ <sup>(1)</sup>
D7	D6	D5	D4	D3	D2	D1	D0	FUNCTION
0	0	0	0	0	0	1	1	Reserved <sup>(1)</sup>

(1) Default values are in **bold**.

### 9.6.18 PWM Output MUX Register (0x25)

This DAP output mux selects which internal PWM channel is output to the external pins. Any channel can be output to any external output pin.

Bits D21–D20: Selects which PWM channel is output to OUT\_A

Bits D17–D16: Selects which PWM channel is output to OUT\_B

Bits D13–D12: Selects which PWM channel is output to OUT\_C

Bits D09–D08: Selects which PWM channel is output to OUT\_D

Note that channels are encoded so that channel 1 = 0x00, channel 2 = 0x01, ..., channel 4 = 0x03. See [Table 22](#) for details.

**Table 22. PWM Output Mux Register (0x25)**

D31	D30	D29	D28	D27	D26	D25	D24	FUNCTION
0	0	0	0	0	0	0	1	Reserved <sup>(1)</sup>
D23	D22	D21	D20	D19	D18	D17	D16	FUNCTION
0	0	–	–	–	–	–	–	Reserved <sup>(1)</sup>
–	–	0	0	–	–	–	–	Multiplex PWM 1 to OUT_A <sup>(1)</sup>
–	–	0	1	–	–	–	–	Multiplex PWM 2 to OUT_A
–	–	1	0	–	–	–	–	Multiplex PWM 3 to OUT_A
–	–	1	1	–	–	–	–	Multiplex PWM 4 to OUT_A
–	–	–	–	0	0	–	–	Reserved <sup>(1)</sup>
–	–	–	–	–	–	0	0	Multiplex PWM 1 to OUT_B
–	–	–	–	–	–	0	1	Multiplex PWM 2 to OUT_B
–	–	–	–	–	–	1	0	Multiplex PWM 3 to OUT_B <sup>(1)</sup>
–	–	–	–	–	–	1	1	Multiplex PWM 4 to OUT_B
D15	D14	D13	D12	D11	D10	D9	D8	FUNCTION
0	0	–	–	–	–	–	–	Reserved <sup>(1)</sup>
–	–	0	0	–	–	–	–	Multiplex PWM 1 to OUT_C
–	–	0	1	–	–	–	–	Multiplex PWM 2 to OUT_C <sup>(1)</sup>

(1) Default values are in **bold**.

**Table 22. PWM Output Mux Register (0x25) (continued)**

–	–	1	0	–	–	–	–	Multiplex PWM 3 to OUT_C
–	–	1	1	–	–	–	–	Multiplex PWM 4 to OUT_C
–	–	–	–	<b>0</b>	<b>0</b>	–	–	<b>Reserved</b> <sup>(1)</sup>
–	–	–	–	–	–	0	0	Multiplex PWM 1 to OUT_D
–	–	–	–	–	–	0	1	Multiplex PWM 2 to OUT_D
–	–	–	–	–	–	1	0	Multiplex PWM 3 to OUT_D
–	–	–	–	–	–	<b>1</b>	<b>1</b>	<b>Multiplex PWM 4 to OUT_D</b> <sup>(1)</sup>
<b>D7</b>	<b>D6</b>	<b>D5</b>	<b>D4</b>	<b>D3</b>	<b>D2</b>	<b>D1</b>	<b>D0</b>	<b>FUNCTION</b>
<b>0</b>	<b>1</b>	<b>0</b>	<b>0</b>	<b>0</b>	<b>1</b>	<b>0</b>	<b>1</b>	<b>Reserved</b> <sup>(1)</sup>

### 9.6.19 DRC Control (0x46)

Each DRC can be enabled independently using the DRC control register. The DRCs are disabled by default.

**Table 23. DRC Control Register**

<b>D31</b>	<b>D30</b>	<b>D29</b>	<b>D28</b>	<b>D27</b>	<b>D26</b>	<b>D25</b>	<b>D24</b>	<b>FUNCTION</b>
<b>0</b>	<b>0</b>	<b>0</b>	<b>0</b>	<b>0</b>	<b>0</b>	<b>0</b>	<b>0</b>	<b>Reserved</b> <sup>(1)</sup>
<b>D23</b>	<b>D22</b>	<b>D21</b>	<b>D20</b>	<b>D19</b>	<b>D18</b>	<b>D17</b>	<b>D16</b>	<b>FUNCTION</b>
<b>0</b>	<b>0</b>	<b>0</b>	<b>0</b>	<b>0</b>	<b>0</b>	<b>0</b>	<b>0</b>	<b>Reserved</b> <sup>(1)</sup>
<b>D15</b>	<b>D14</b>	<b>D13</b>	<b>D12</b>	<b>D11</b>	<b>D10</b>	<b>D9</b>	<b>D8</b>	<b>FUNCTION</b>
<b>0</b>	<b>0</b>	<b>0</b>	<b>0</b>	<b>0</b>	<b>0</b>	<b>0</b>	<b>0</b>	<b>Reserved</b> <sup>(1)</sup>
<b>D7</b>	<b>D6</b>	<b>D5</b>	<b>D4</b>	<b>D3</b>	<b>D2</b>	<b>D1</b>	<b>D0</b>	<b>FUNCTION</b>
<b>0</b>	<b>0</b>	–	–	–	–	–	–	<b>Reserved</b> <sup>(1)</sup>
–	–	<b>0</b>	–	–	–	–	–	<b>Disable complementary (1–H) low-pass filter generation</b> <sup>(1)</sup>
–	–	1	–	–	–	–	–	Enable complementary (1–H) low-pass filter generation
–	–	–	<b>0</b>	–	–	–	–	
–	–	–	1	–	–	–	–	
				<b>0</b>	<b>0</b>			<b>Reserved</b> <sup>(1)</sup>
–	–	–	–	–	–	<b>0</b>	–	<b>DRC2 turned OFF</b> <sup>(1)</sup>
–	–	–	–	–	–	1	–	DRC2 turned ON
–	–	–	–	–	–	–	<b>0</b>	<b>DRC1 turned OFF</b> <sup>(1)</sup>
–	–	–	–	–	–	–	1	DRC1 turned ON

(1) Default values are in **bold**.

### 9.6.20 Bank Switch and EQ Control (0x50)

The bank switching feature is described in detail in section [Bank Switching](#).

**Table 24. Bank Switching Command**

D31	D30	D29	D28	D27	D26	D25	D24	FUNCTION
<b>0</b>	–	–	–	–	–	–	–	<b>32 kHz, does not use bank 3</b> <sup>(1)</sup>
1	–	–	–	–	–	–	–	32 kHz, uses bank 3
–	<b>0</b>	–	–	–	–	–	–	<b>Reserved</b> <sup>(1)</sup>
–	–	<b>0</b>	–	–	–	–	–	<b>Reserved</b> <sup>(1)</sup>
–	–	–	<b>0</b>	–	–	–	–	<b>44.1/48 kHz, does not use bank 3</b> <sup>(1)</sup>
–	–	–	1	–	–	–	–	44.1/48 kHz, uses bank 3
–	–	–	–	0	–	–	–	16 kHz, does not use bank 3
–	–	–	–	<b>1</b>	–	–	–	<b>16 kHz, uses bank 3</b> <sup>(1)</sup>
–	–	–	–	–	0	–	–	22.025/24 kHz, does not use bank 3
–	–	–	–	–	<b>1</b>	–	–	<b>22.025/24 kHz, uses bank 3</b> <sup>(1)</sup>
–	–	–	–	–	–	0	–	8 kHz, does not use bank 3
–	–	–	–	–	–	<b>1</b>	–	<b>8 kHz, uses bank 3</b> <sup>(1)</sup>
–	–	–	–	–	–	–	0	11.025 kHz/12, does not use bank 3
–	–	–	–	–	–	–	<b>1</b>	<b>11.025/12 kHz, uses bank 3</b> <sup>(1)</sup>
D23	D22	D21	D20	D19	D18	D17	D16	FUNCTION
<b>0</b>	–	–	–	–	–	–	–	<b>32 kHz, does not use bank 2</b> <sup>(1)</sup>
1	–	–	–	–	–	–	–	32 kHz, uses bank 2
–	<b>1</b>	–	–	–	–	–	–	<b>Reserved</b> <sup>(1)</sup>
–	–	<b>1</b>	–	–	–	–	–	<b>Reserved</b> <sup>(1)</sup>
–	–	–	0	–	–	–	–	44.1/48 kHz, does not use bank 2
–	–	–	<b>1</b>	–	–	–	–	<b>44.1/48 kHz, uses bank 2</b> <sup>(1)</sup>
–	–	–	–	<b>0</b>	–	–	–	<b>16 kHz, does not use bank 2</b> <sup>(1)</sup>
–	–	–	–	1	–	–	–	16 kHz, uses bank 2
–	–	–	–	–	<b>0</b>	–	–	<b>22.025/24 kHz, does not use bank 2</b> <sup>(1)</sup>
–	–	–	–	–	1	–	–	22.025/24 kHz, uses bank 2
–	–	–	–	–	–	<b>0</b>	–	<b>8 kHz, does not use bank 2</b> <sup>(1)</sup>
–	–	–	–	–	–	1	–	8 kHz, uses bank 2
–	–	–	–	–	–	–	<b>0</b>	<b>11.025/12 kHz, does not use bank 2</b> <sup>(1)</sup>
–	–	–	–	–	–	–	1	11.025/12 kHz, uses bank 2
D15	D14	D13	D12	D11	D10	D9	D8	FUNCTION
0	–	–	–	–	–	–	–	32 kHz, does not use bank 1
<b>1</b>	–	–	–	–	–	–	–	<b>32 kHz, uses bank 1</b> <sup>(1)</sup>
–	<b>0</b>	–	–	–	–	–	–	<b>Reserved</b> <sup>(1)</sup>
–	–	<b>0</b>	–	–	–	–	–	<b>Reserved</b> <sup>(1)</sup>
–	–	–	<b>0</b>	–	–	–	–	<b>44.1/48 kHz, does not use bank 1</b> <sup>(1)</sup>
–	–	–	1	–	–	–	–	44.1/48 kHz, uses bank 1
–	–	–	–	<b>0</b>	–	–	–	<b>16 kHz, does not use bank 1</b> <sup>(1)</sup>
–	–	–	–	1	–	–	–	16 kHz, uses bank 1
–	–	–	–	–	<b>0</b>	–	–	<b>22.025/24 kHz, does not use bank 1</b> <sup>(1)</sup>
–	–	–	–	–	1	–	–	22.025/24 kHz, uses bank 1
–	–	–	–	–	–	<b>0</b>	–	<b>8 kHz, does not use bank 1</b> <sup>(1)</sup>
–	–	–	–	–	–	1	–	8 kHz, uses bank 1
–	–	–	–	–	–	–	<b>0</b>	<b>11.025/12 kHz, does not use bank 1</b> <sup>(1)</sup>

(1) Default values are in **bold**.

**Table 24. Bank Switching Command (continued)**

–	–	–	–	–	–	–	1	11.025/12 kHz, uses bank 1
D7	D6	D5	D4	D3	D2	D1	D0	FUNCTION
0								<b>EQ ON</b>
1	–	–	–	–	–	–	–	EQ OFF (bypass BQ 0-7 of channels 1 and 2)
–	0	–	–	–	–	–	–	<b>Reserved</b> <sup>(1)</sup>
–	–	0	–	–	–	–	–	<b>Ignore bank-mapping in bits D31–D8. Use default mapping.</b> <sup>(1)</sup>
		1						Use bank-mapping in bits D31–D8.
–	–	–	0	–	–	–	–	<b>L and R can be written independently.</b> <sup>(1)</sup>
–	–	–	1	–	–	–	–	L and R are ganged for EQ biquads; a write to left-channel BQ is also written to right-channel BQ. (0x29–0x2F is ganged to 0x30–0x36. Also 0x58–0x5B is ganged to 0x5C–0x5F)
–	–	–	–	0	–	–	–	<b>Reserved</b> <sup>(1)</sup>
–	–	–	–	–	0	0	0	<b>No bank switching. All configuration of the BiQuads are applied directly to the DAP</b> <sup>(1)</sup>
–	–	–	–	–	0	0	1	Configure bank 1 (32 kHz by default)
–	–	–	–	–	0	1	0	Configure bank 2 (44.1/48 kHz by default)
–	–	–	–	–	0	1	1	Configure bank 3 (other sample rates by default)
–	–	–	–	–	1	0	0	Automatic bank selection
–	–	–	–	–	1	0	1	Reserved
–	–	–	–	–	1	1	X	Reserved

All DAP coefficients are 3.23 format unless specified otherwise.



## 10 Application and Implementation

---

### NOTE

Information in the following applications sections is not part of the TI component specification, and TI does not warrant its accuracy or completeness. TI's customers are responsible for determining suitability of components for their purposes. Customers should validate and test their design implementation to confirm system functionality.

---

### 10.1 Application Information

The typical connection diagram highlights the required external components and system level connections for proper operation of the device in several popular system examples.

Each of these configurations can be realized using the Evaluation Module (EVM) for the device. These flexible modules allow full evaluation of the device in the most common modes of operation. Any design variation can be supported by TI through schematic and layout reviews. Visit <http://e2e.ti.com> for design assistance and join the audio amplifier discussion forum for additional information.

## 10.2 Typical Application

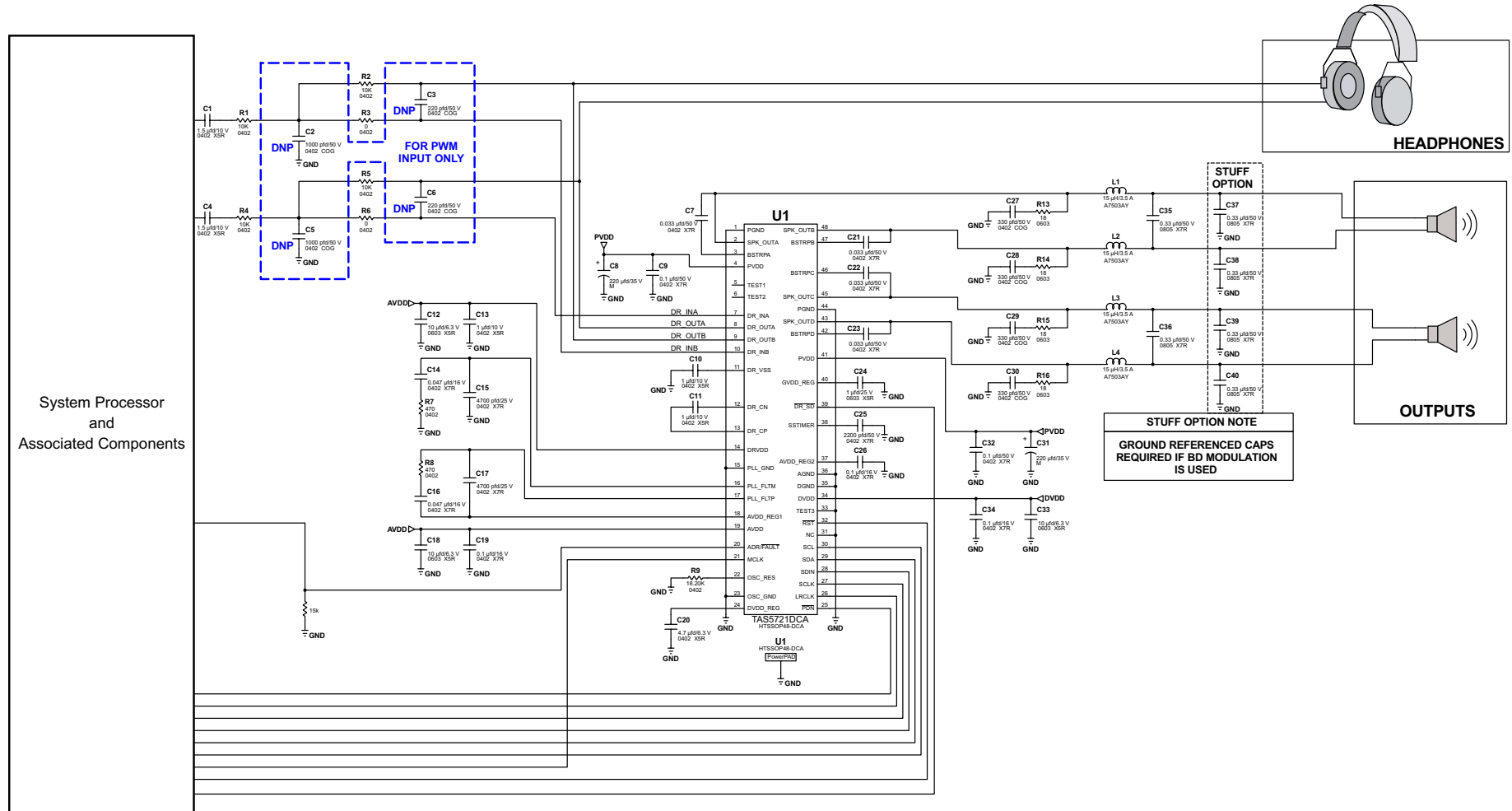


Figure 71. Mono PBTL System With Headphone Driver

## 10.2.1 Design Requirements

Table 25 lists the design parameters of the TAS5721.

**Table 25. Design Parameters**

PARAMETER	EXAMPLE
Low Power Supply	3.3 V
High Power Supply	8 V to 24 V
Host Processor	I2S Compliant Master
	I2C Compliant Master
	GPIO Control
Output Filters	Inductor-Capacitor Low Pass Filter <sup>(1)</sup>
Speaker	8 $\Omega$ minimum BTL 4 $\Omega$ minimum PBTL and Single Ended

(1) Refer to [SLOA119](#) for a detailed description on the filter design.

## 10.2.2 Detailed Design Procedure

### 10.2.2.1 Component Selection and Hardware Connections

The typical connections required for proper operation of the device can be found on the TAS5721EVM User's Guide ([SLOU346](#)). The device was tested with this list of components, deviation from this typical application components unless recommended by this document may produce unwanted results, which could range from degradation of audio performance to destructive failure of the device. The application report [SLOA119](#) offers a detailed description on proper component selection and design of the output filter based upon the modulation used, desired load and response.

### 10.2.2.2 I<sup>2</sup>C Pullup Resistors

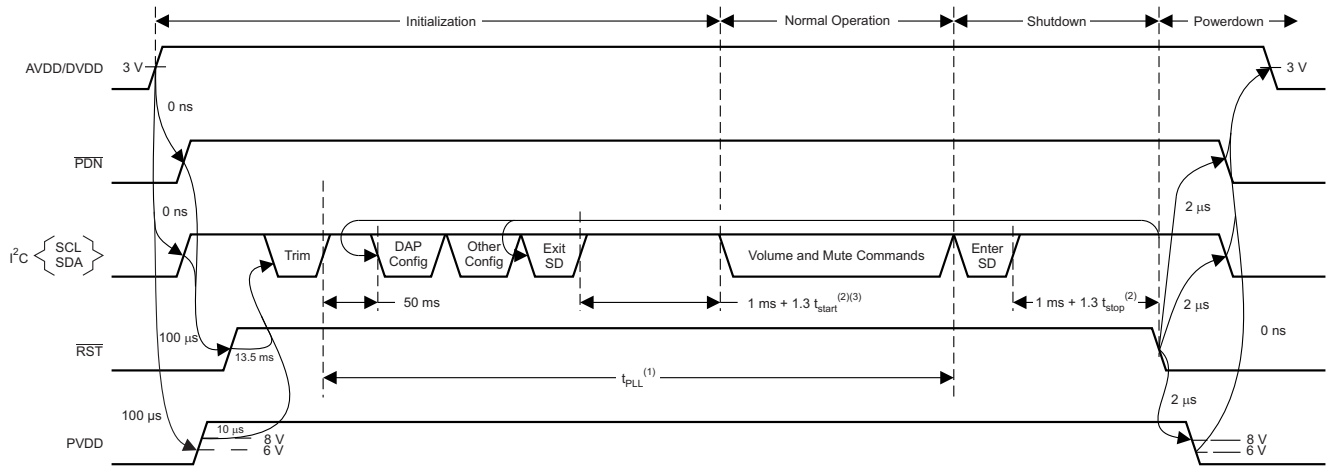
Customary pullup resistors are required on the SCL and SDA signal lines. They are not shown in the Typical Application Circuits, because they are shared by all of the devices on the I<sup>2</sup>C bus and are considered to be part of the associated passive components for the System Processor. These resistor values should be chosen per the guidance provided in the I<sup>2</sup>C Specification.

### 10.2.2.3 Digital I/O Connectivity

The digital I/O lines of the TAS5721 are described in previous sections. As discussed, whenever a static digital pin (that is a pin that is hardwired to be HIGH or LOW) is required to be pulled HIGH, it should be connected to DVDD through a pullup resistor to control the slew rate of the voltage presented to the digital I/O pins. It is not, however, necessary to have a separate pullup resistor for each static digital I/O line. Instead, a single resistor can be used to tie all static I/O lines HIGH to reduce BOM count.

### 10.2.2.4 Recommended Startup and Shutdown Procedures

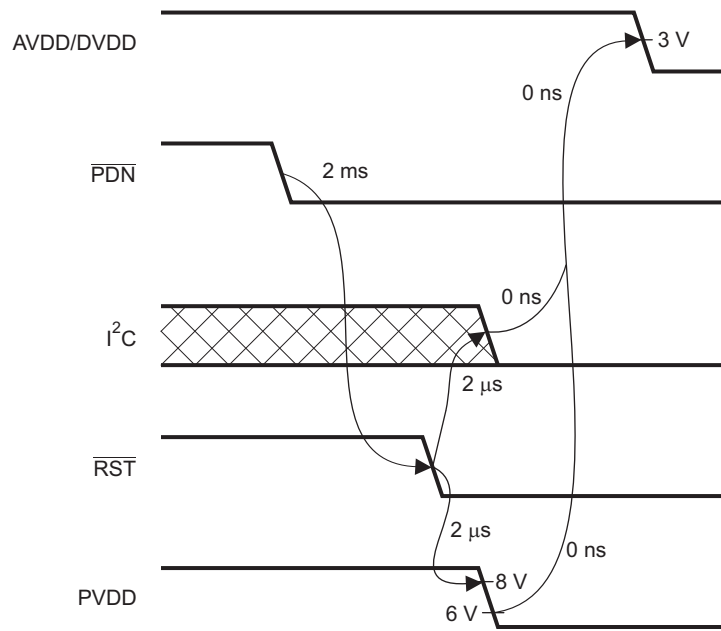
#### 10.2.2.4.1 Recommended Use Model



(1) t<sub>PLL</sub> has to be greater than 240 ms + 1.3 t<sub>start</sub>.  
 This constraint only applies to the first trim command following AVDD/DVDD power-up.  
 It does not apply to trim commands following subsequent resets.  
 (2) t<sub>start</sub>/t<sub>stop</sub> = PWM start/stop time as defined in register 0X1A  
 (3) When Mid-Z ramp is enabled (for 2.1 mode), t<sub>start</sub> = 300 ms

T0419-07

Figure 72. Recommended Command Sequence



T0420-06

Figure 73. Power Loss Sequence

#### 10.2.2.4.1.1 Initialization Sequence

Use the following sequence to power-up and initialize the device:

1. Hold all digital inputs low and ramp up AVDD/DVDD to at least 3 V.
2. Initialize digital inputs and PVDD supply as follows:
  - Drive  $\overline{\text{RST}} = 0$ ,  $\overline{\text{PDN}} = 1$ , and other digital inputs to their desired state while ensuring that all are never more than 2.5 V above AVDD/DVDD. Wait at least 100 μs, drive  $\overline{\text{RST}} = 1$ , and wait at least another 13.5

ms.

- Ramp up PVDD to at least 8 V while ensuring that it remains below 6 V for at least 100  $\mu$ s after AVDD/DVDD reaches 3 V. Then wait at least another 10  $\mu$ s.
- 3. Trim oscillator (write 0x00 to register 0x1B) and wait at least 50 ms.
- 4. Configure the DAP via I<sup>2</sup>C (see Users's Guide for typical values).
- 5. Configure remaining registers.
- 6. Exit shutdown (sequence defined below).

#### 10.2.2.4.1.2 Normal Operation

The following are the only events supported during normal operation:

1. Writes to master/channel volume registers.
2. Writes to soft mute register.
3. Enter and exit shutdown (sequence defined below).

---

#### NOTE

Event 3 is not supported for 240 ms + 1.3  $\times$   $t_{\text{start}}$  after trim following AVDD/DVDD powerup ramp (where  $t_{\text{start}}$  is 300 ms when mid-Z ramp is enabled and is otherwise specified by register 0x1A).

---

#### 10.2.2.4.1.3 Shutdown Sequence

Enter:

1. Write 0x40 to register 0x05.
2. Wait at least 1 ms + 1.3  $\times$   $t_{\text{stop}}$  (where  $t_{\text{stop}}$  is specified by register 0x1A).
3. If desired, reconfigure by returning to step 4 of initialization sequence.

Exit:

1. Write 0x00 to register 0x05 (exit shutdown command may not be serviced for as much as 240 ms after trim following AVDD/DVDD powerup ramp).
2. Wait at least 1 ms + 1.3  $\times$   $t_{\text{start}}$  (where  $t_{\text{start}}$  is 300 ms when mid-Z ramp is enabled and is otherwise specified by register 0x1A).
3. Proceed with normal operation.

#### 10.2.2.4.1.4 Power-Down Sequence

Use the following sequence to powerdown the device and its supplies:

1. If time permits, enter shutdown (sequence defined above); else, in case of sudden power loss, assert  $\overline{\text{PDN}} = 0$  and wait at least 2 ms.
2. Assert  $\overline{\text{RST}} = 0$ .
3. Drive digital inputs low and ramp down PVDD supply as follows:
  - Drive all digital inputs low after  $\overline{\text{RST}}$  has been low for at least 2  $\mu$ s.
  - Ramp down PVDD while ensuring that it remains above 8 V until  $\overline{\text{RST}}$  has been low for at least 2  $\mu$ s.
4. Ramp down AVDD/DVDD while ensuring that it remains above 3 V until PVDD is below 6 V and that it is never more than 2.5 V below the digital inputs.

### 10.2.3 Application Curves

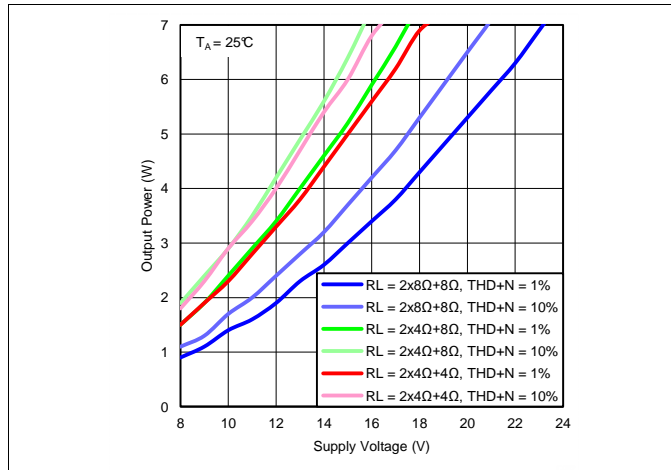


Figure 74. Output Power vs PVDD in 2.1 Mode

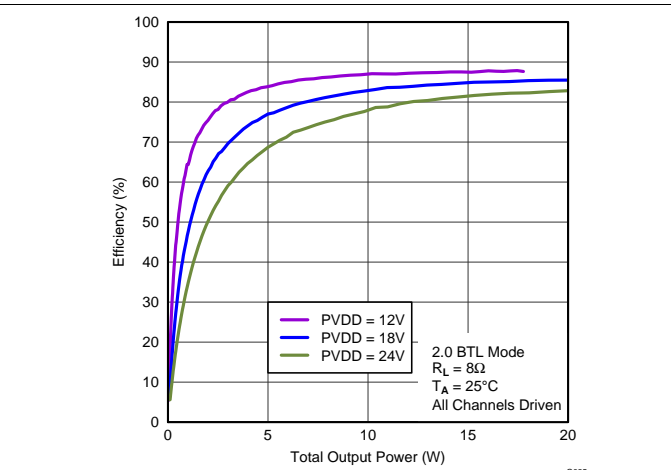


Figure 75. Efficiency vs Output Power in 2.0 Mode

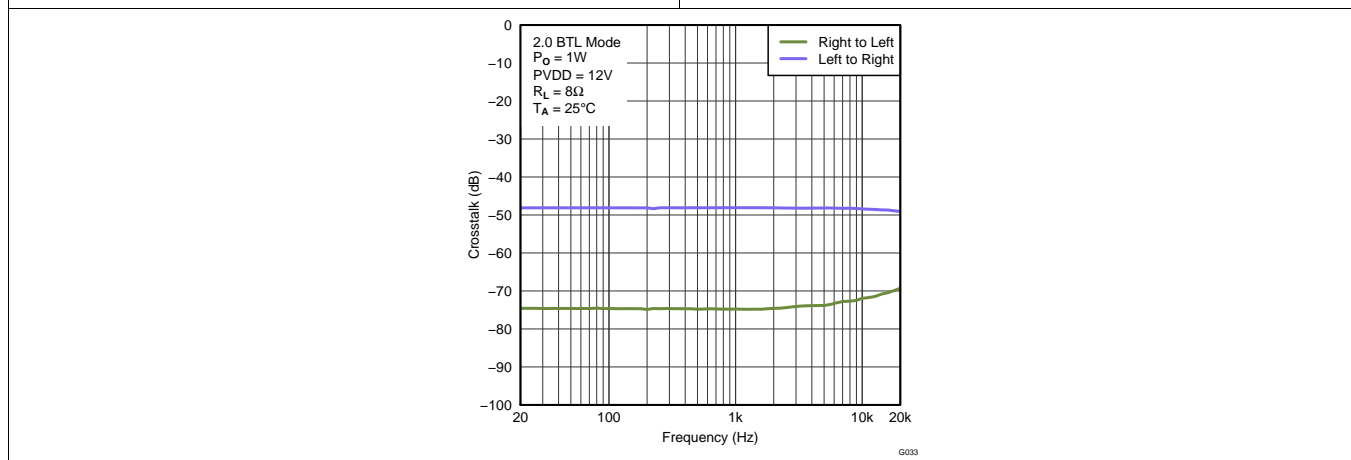


Figure 76. Crosstalk vs Frequency in 2.0 Mode

10.3 System Examples

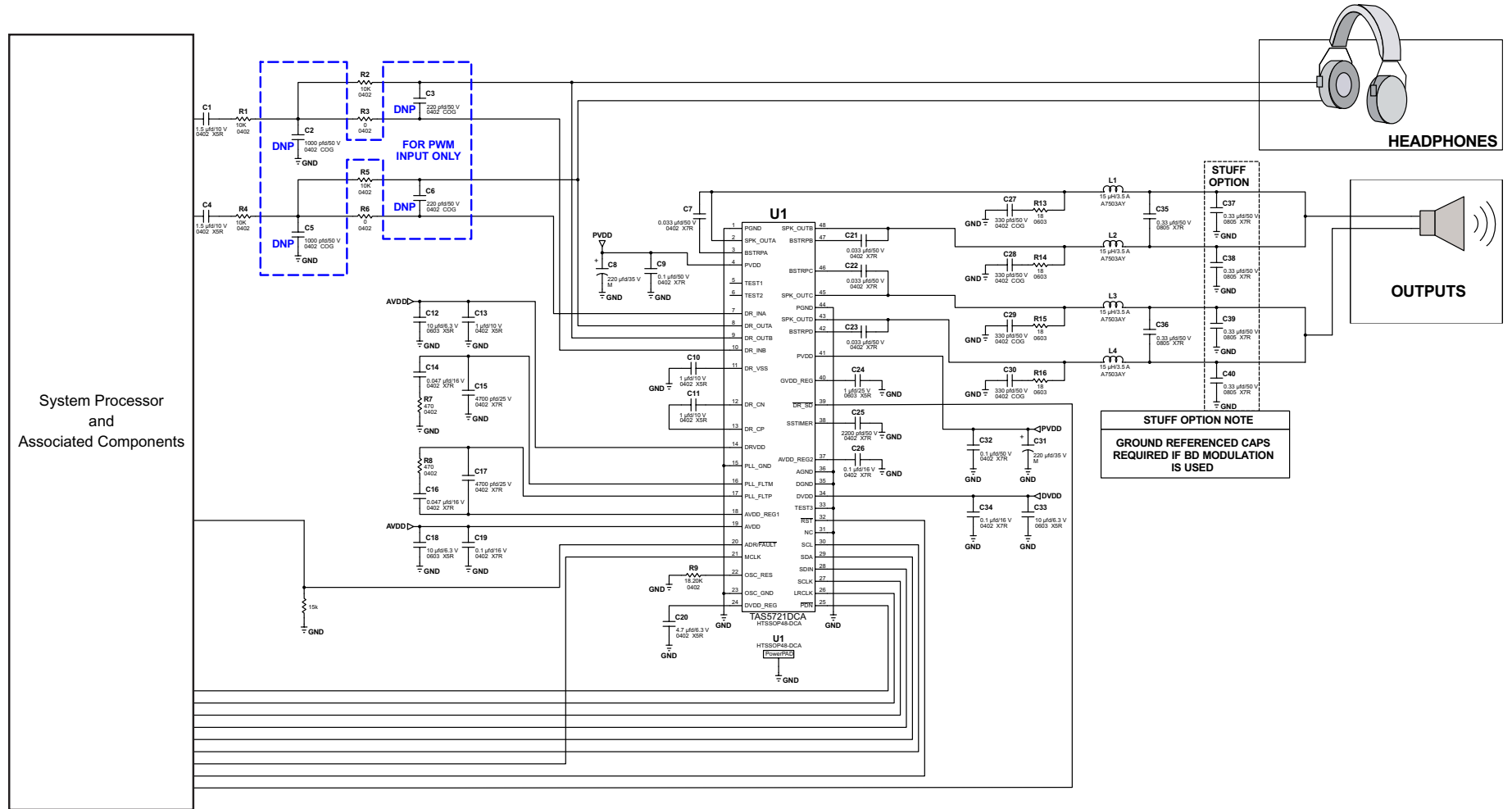


Figure 77. Typical Application Circuit for Stereo (BTL) Configuration

System Examples (continued)

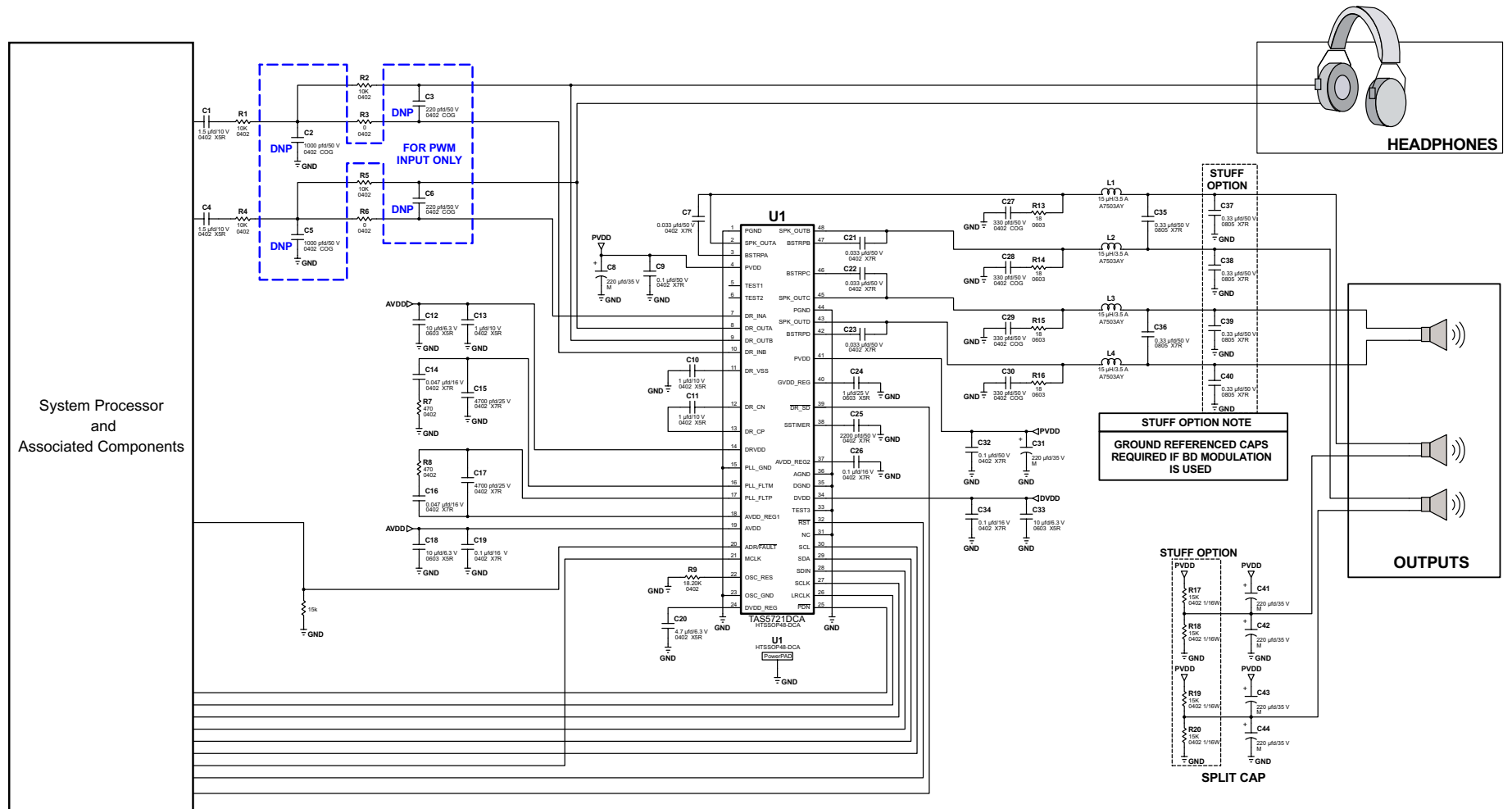


Figure 78. 2.1 System With Headphone Driver



System Examples (continued)

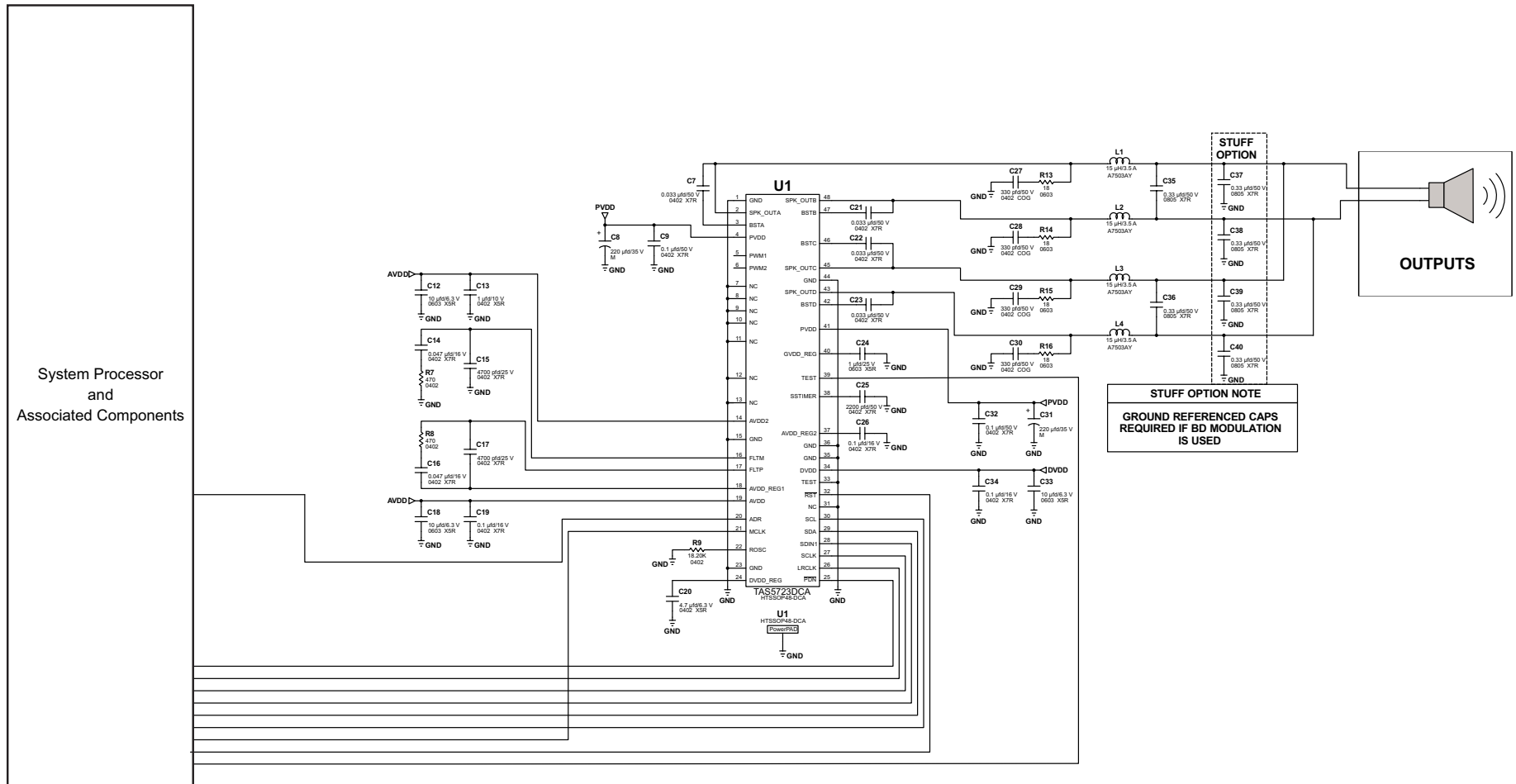


Figure 79. Stereo (BTL) System

System Examples (continued)

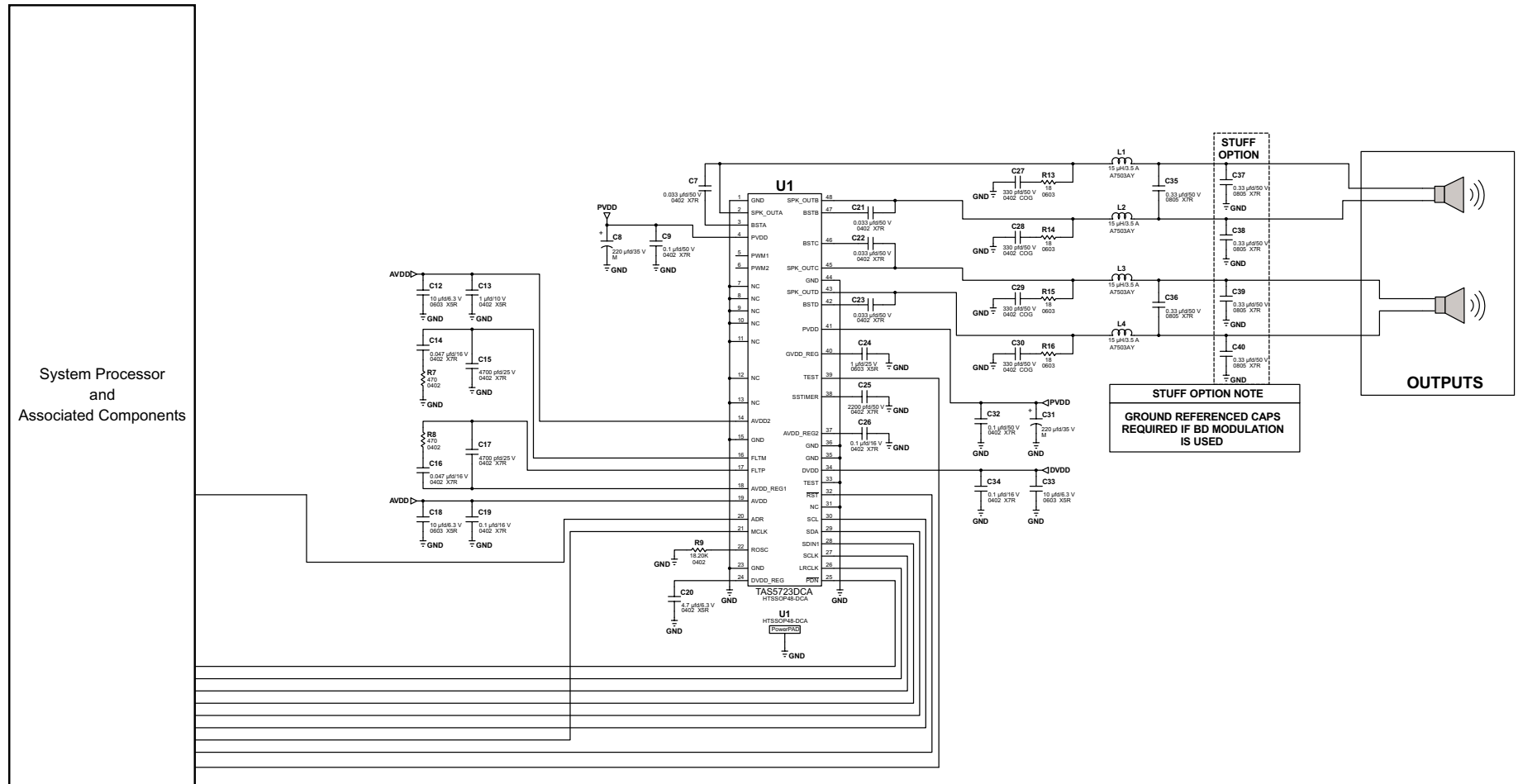


Figure 80. Mono (PBTL) System

System Examples (continued)

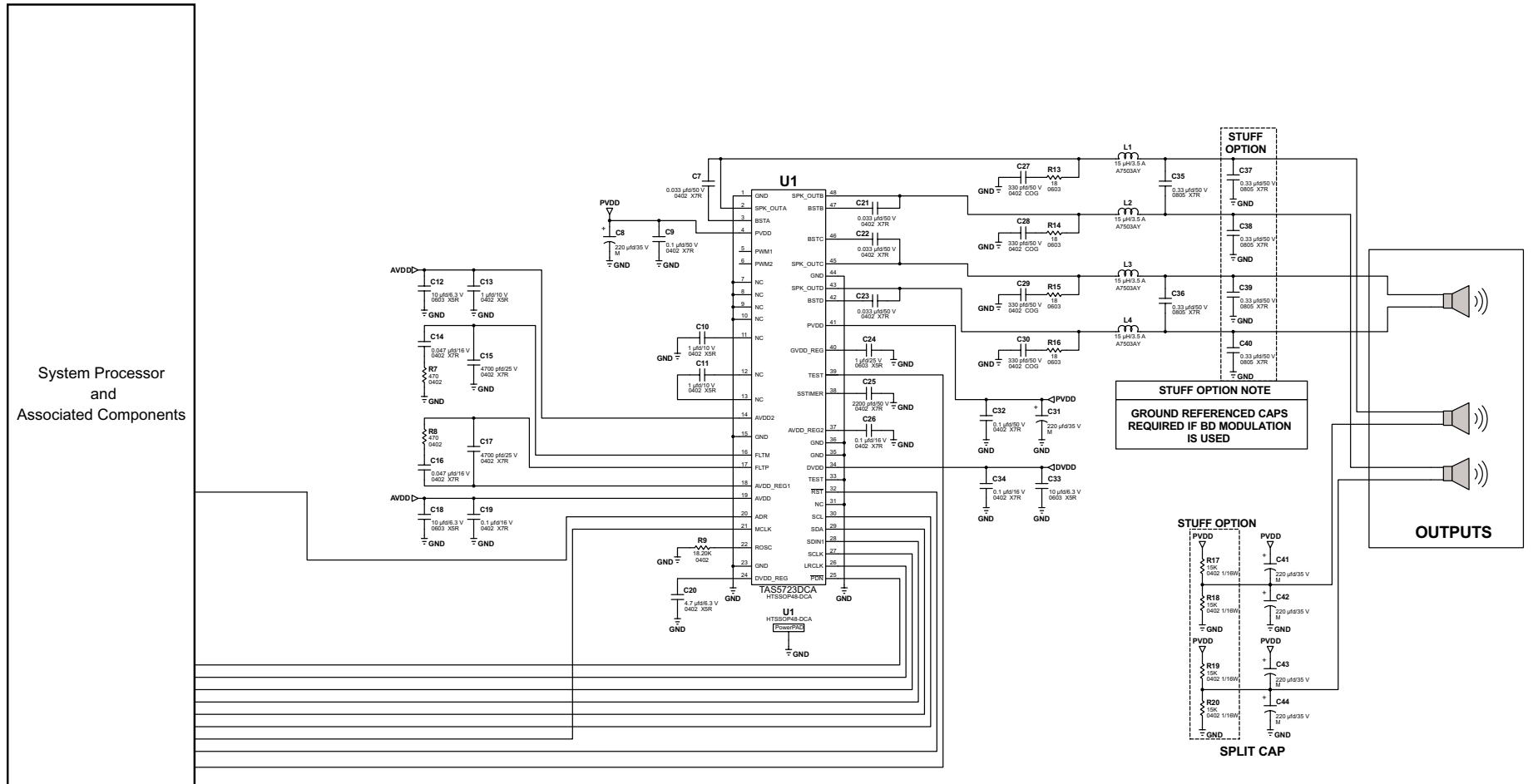


Figure 81. 2.1 System

## 11 Power Supply Recommendations

The TAS5721 requires two power supplies; a low voltage 3.3 V nominal for the pins DVDD, AVDD and DRVDD and a high power supply, 8 V to 24 V for the pin PVDD. There is no requirement for power up sequencing of low and high power supplies, however is recommended to put /PDN pin to low before removing the low voltage power supplies in order to protect the outputs.

### 11.1 DVDD and AVDD Supplies

The AVDD Supply is used to power the analog internal circuit of the device, and needs a well regulated and filtered 3.3-V supply voltage. The DVDD Supply is used to power the digital circuitry. DVDD needs a well regulated and filtered 3.3-V supply voltage.

### 11.2 PVDD Power Supply

The TAS5721 class-D audio amplifier requires adequate power supply decoupling to ensure the output total harmonic distortion (THD) and noise is as low as possible. A good low equivalent-series-resistance (ESR) ceramic capacitor, typically 1  $\mu$ F, placed as close as possible to the device PVDD leads works best. For filtering lower frequency noise signals, a 10 $\mu$ F or greater capacitor placed near the audio power amplifier is recommended.

## 12 Layout

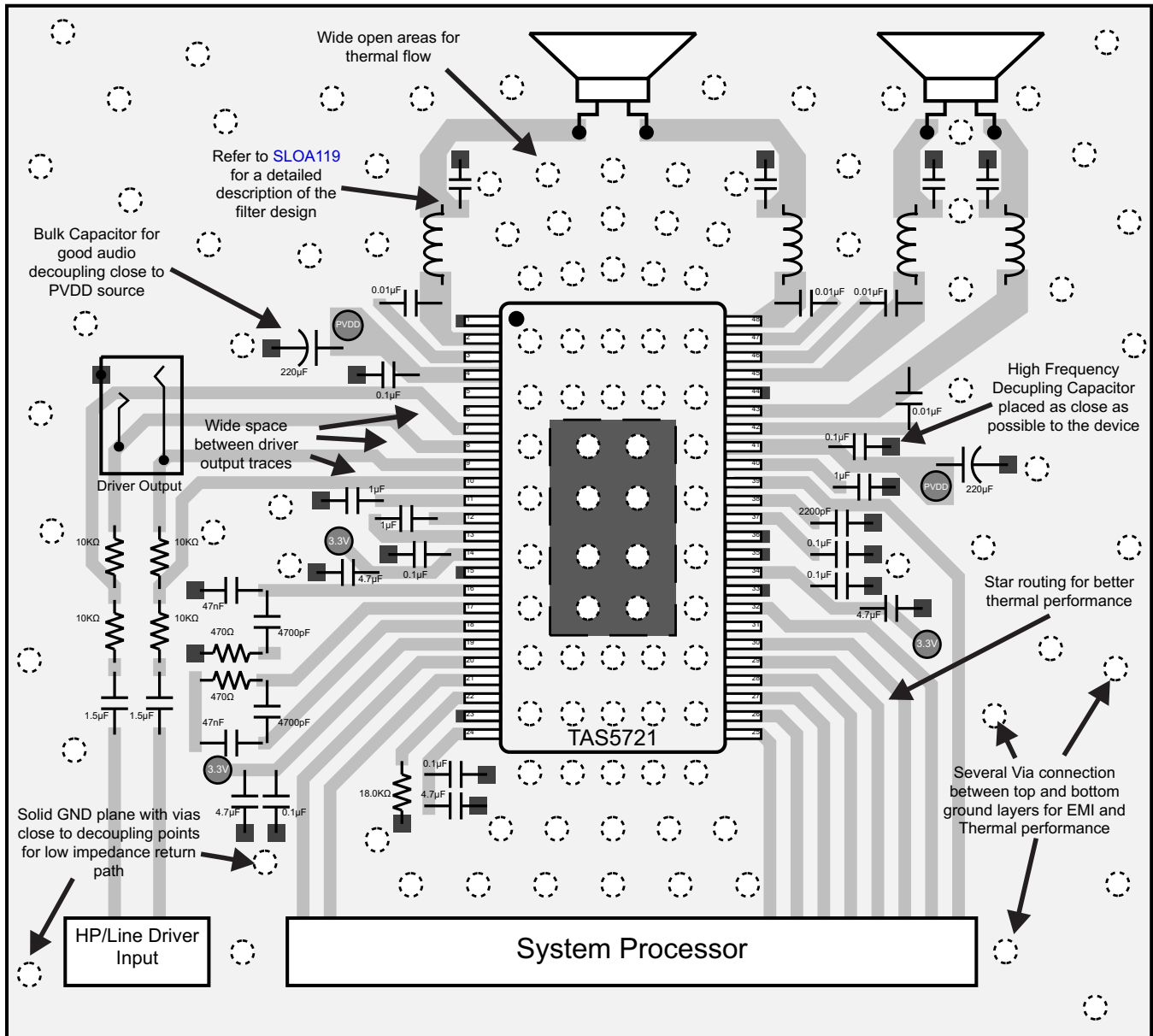
### 12.1 Layout Guidelines

Class-D switching edges are fast and switched currents are high so it is necessary to take care when planning the layout of the printed circuit board. The following suggestions will help to meet audio, thermal and EMC requirements.

- uses the PCB for heat sinking therefore the powerPad needs to be soldered to the PCB and adequate copper area and copper vias connecting the top, bottom and internal layers should be used.
- Decoupling capacitors: the high-frequency decoupling capacitors should be placed as close to the supply pins as possible; on the a 1- $\mu$ F high-quality ceramic capacitor is used. Large (10 $\mu$ -F or greater) bulk power supply decoupling capacitors should be placed near the on the PVDD supplies.
- Keep the current loop from each of the outputs through the output inductor and the small filter cap and back to GND as small and tight as possible. The size of this current loop determines its effectiveness as an antenna.
- To avoid crosstalk issues on the headphone/line driver output, it is recommended to have a wide space between the traces of the outputs.
- Grounding: A big common GND plane is recommended. The PVDD decoupling capacitors should connect to GND. The TAS5721 PowerPAD should be connected to GND.
- Output filter: remember to select inductors that can handle the high short circuit current of the device. The LC filter should be placed close to the outputs.

The EVM product folder (<http://www.ti.com/tool/tas5721evm>) and User's Guide available on [www.ti.com](http://www.ti.com) shows schematic, bill of material, gerber files and more detailed layout plots.

## 12.2 Layout Example









- |   |   |
|---|---|
|  Top Layer Ground Plane        |  Top Layer Traces          |
|  Pad to Top Layer Ground Plane |  PowerPAD                  |
|  Via to Ground Plane           |  Via to Power Supply Plane |

Figure 82. Layout Recommendation

## 13 Device and Documentation Support

### 13.1 Device Support

#### 13.1.1 Development Support

For development support, see the following:

EVM product folder (<http://www.ti.com/tool/tas5721evm>)

### 13.2 Documentation Support

#### 13.2.1 Related Documentation

For related documentation, see the following:

- *TAS5721EVM User's Guide* (SLOU346)
- *Class-D LC Filter Design Application Report* (SLOA119)

### 13.3 Community Resources

The following links connect to TI community resources. Linked contents are provided "AS IS" by the respective contributors. They do not constitute TI specifications and do not necessarily reflect TI's views; see TI's [Terms of Use](#).

**TI E2E™ Online Community** *TI's Engineer-to-Engineer (E2E) Community*. Created to foster collaboration among engineers. At [e2e.ti.com](http://e2e.ti.com), you can ask questions, share knowledge, explore ideas and help solve problems with fellow engineers.

**Design Support** *TI's Design Support* Quickly find helpful E2E forums along with design support tools and contact information for technical support.

### 13.4 Trademarks

DirectPath, E2E are trademarks of Texas Instruments.  
I<sup>2</sup>C is a trademark of Philips Semiconductor Corp.  
All other trademarks are the property of their respective owners.

### 13.5 Electrostatic Discharge Caution



These devices have limited built-in ESD protection. The leads should be shorted together or the device placed in conductive foam during storage or handling to prevent electrostatic damage to the MOS gates.

### 13.6 Glossary

**SLYZ022** — *TI Glossary*.

This glossary lists and explains terms, acronyms, and definitions.

## 14 Mechanical, Packaging, and Orderable Information

The following pages include mechanical, packaging, and orderable information. This information is the most current data available for the designated devices. This data is subject to change without notice and revision of this document. For browser-based versions of this data sheet, refer to the left-hand navigation.

**PACKAGING INFORMATION**

Orderable part number	Status (1)	Material type (2)	Package   Pins	Package qty   Carrier	RoHS (3)	Lead finish/ Ball material (4)	MSL rating/ Peak reflow (5)	Op temp (°C)	Part marking (6)
<a href="#">TAS5721DCA</a>	Active	Production	HTSSOP (DCA)   48	40   TUBE	Yes	NIPDAU	Level-3-260C-168 HR	0 to 85	TAS5721
TAS5721DCA.A	Active	Production	HTSSOP (DCA)   48	40   TUBE	Yes	NIPDAU	Level-3-260C-168 HR	0 to 85	TAS5721
TAS5721DCA.B	Active	Production	HTSSOP (DCA)   48	40   TUBE	-	Call TI	Call TI	0 to 85	
<a href="#">TAS5721DCAR</a>	Active	Production	HTSSOP (DCA)   48	2000   LARGE T&R	Yes	NIPDAU	Level-3-260C-168 HR	0 to 85	TAS5721
TAS5721DCAR.A	Active	Production	HTSSOP (DCA)   48	2000   LARGE T&R	Yes	NIPDAU	Level-3-260C-168 HR	0 to 85	TAS5721
TAS5721DCAR.B	Active	Production	HTSSOP (DCA)   48	2000   LARGE T&R	-	Call TI	Call TI	0 to 85	

(1) **Status:** For more details on status, see our [product life cycle](#).

(2) **Material type:** When designated, preproduction parts are prototypes/experimental devices, and are not yet approved or released for full production. Testing and final process, including without limitation quality assurance, reliability performance testing, and/or process qualification, may not yet be complete, and this item is subject to further changes or possible discontinuation. If available for ordering, purchases will be subject to an additional waiver at checkout, and are intended for early internal evaluation purposes only. These items are sold without warranties of any kind.

(3) **RoHS values:** Yes, No, RoHS Exempt. See the [TI RoHS Statement](#) for additional information and value definition.

(4) **Lead finish/Ball material:** Parts may have multiple material finish options. Finish options are separated by a vertical ruled line. Lead finish/Ball material values may wrap to two lines if the finish value exceeds the maximum column width.

(5) **MSL rating/Peak reflow:** The moisture sensitivity level ratings and peak solder (reflow) temperatures. In the event that a part has multiple moisture sensitivity ratings, only the lowest level per JEDEC standards is shown. Refer to the shipping label for the actual reflow temperature that will be used to mount the part to the printed circuit board.

(6) **Part marking:** There may be an additional marking, which relates to the logo, the lot trace code information, or the environmental category of the part.

Multiple part markings will be inside parentheses. Only one part marking contained in parentheses and separated by a "~" will appear on a part. If a line is indented then it is a continuation of the previous line and the two combined represent the entire part marking for that device.

**Important Information and Disclaimer:**The information provided on this page represents TI's knowledge and belief as of the date that it is provided. TI bases its knowledge and belief on information provided by third parties, and makes no representation or warranty as to the accuracy of such information. Efforts are underway to better integrate information from third parties. TI has taken and continues to take reasonable steps to provide representative and accurate information but may not have conducted destructive testing or chemical analysis on incoming materials and chemicals. TI and TI suppliers consider certain information to be proprietary, and thus CAS numbers and other limited information may not be available for release.

In no event shall TI's liability arising out of such information exceed the total purchase price of the TI part(s) at issue in this document sold by TI to Customer on an annual basis.





**TAPE AND REEL INFORMATION**

**QUADRANT ASSIGNMENTS FOR PIN 1 ORIENTATION IN TAPE**


\*All dimensions are nominal

Device	Package Type	Package Drawing	Pins	SPQ	Reel Diameter (mm)	Reel Width W1 (mm)	A0 (mm)	B0 (mm)	K0 (mm)	P1 (mm)	W (mm)	Pin1 Quadrant
TAS5721DCAR	HTSSOP	DCA	48	2000	330.0	24.4	8.6	13.0	1.8	12.0	24.0	Q1

**TAPE AND REEL BOX DIMENSIONS**


\*All dimensions are nominal

Device	Package Type	Package Drawing	Pins	SPQ	Length (mm)	Width (mm)	Height (mm)
TAS5721DCAR	HTSSOP	DCA	48	2000	350.0	350.0	43.0

**TUBE**


\*All dimensions are nominal

Device	Package Name	Package Type	Pins	SPQ	L (mm)	W (mm)	T (μm)	B (mm)
TAS5721DCA	DCA	HTSSOP	48	40	530	11.89	3600	4.9
TAS5721DCA.A	DCA	HTSSOP	48	40	530	11.89	3600	4.9

## GENERIC PACKAGE VIEW

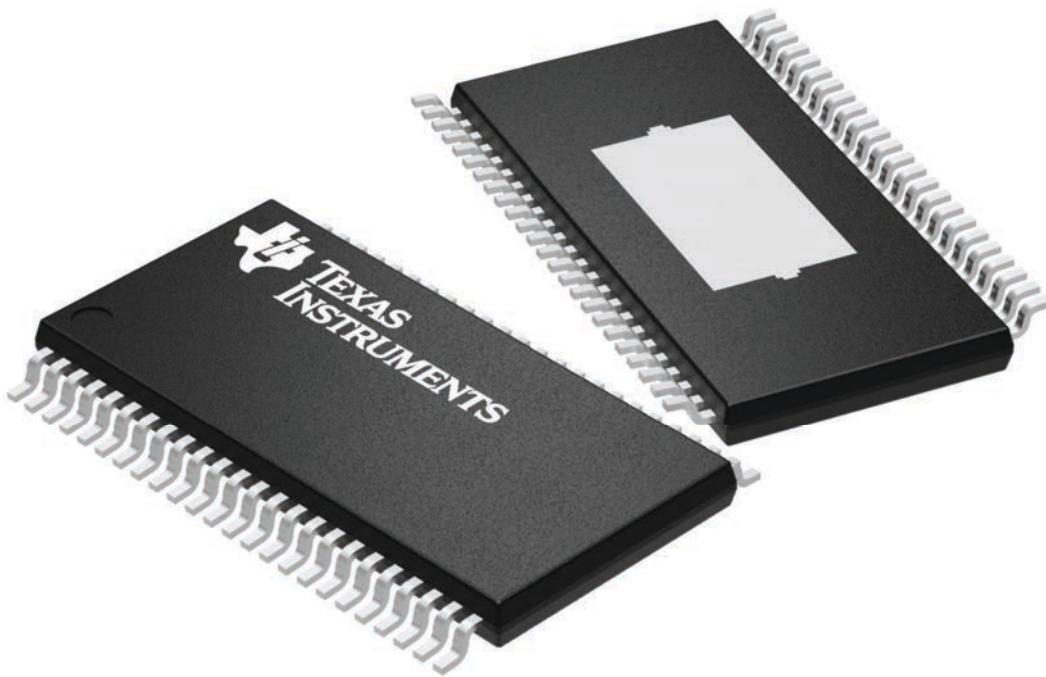
**DCA 48**

**HTSSOP - 1.2 mm max height**

12.5 x 6.1, 0.5 mm pitch

SMALL OUTLINE PACKAGE

This image is a representation of the package family, actual package may vary.  
Refer to the product data sheet for package details.

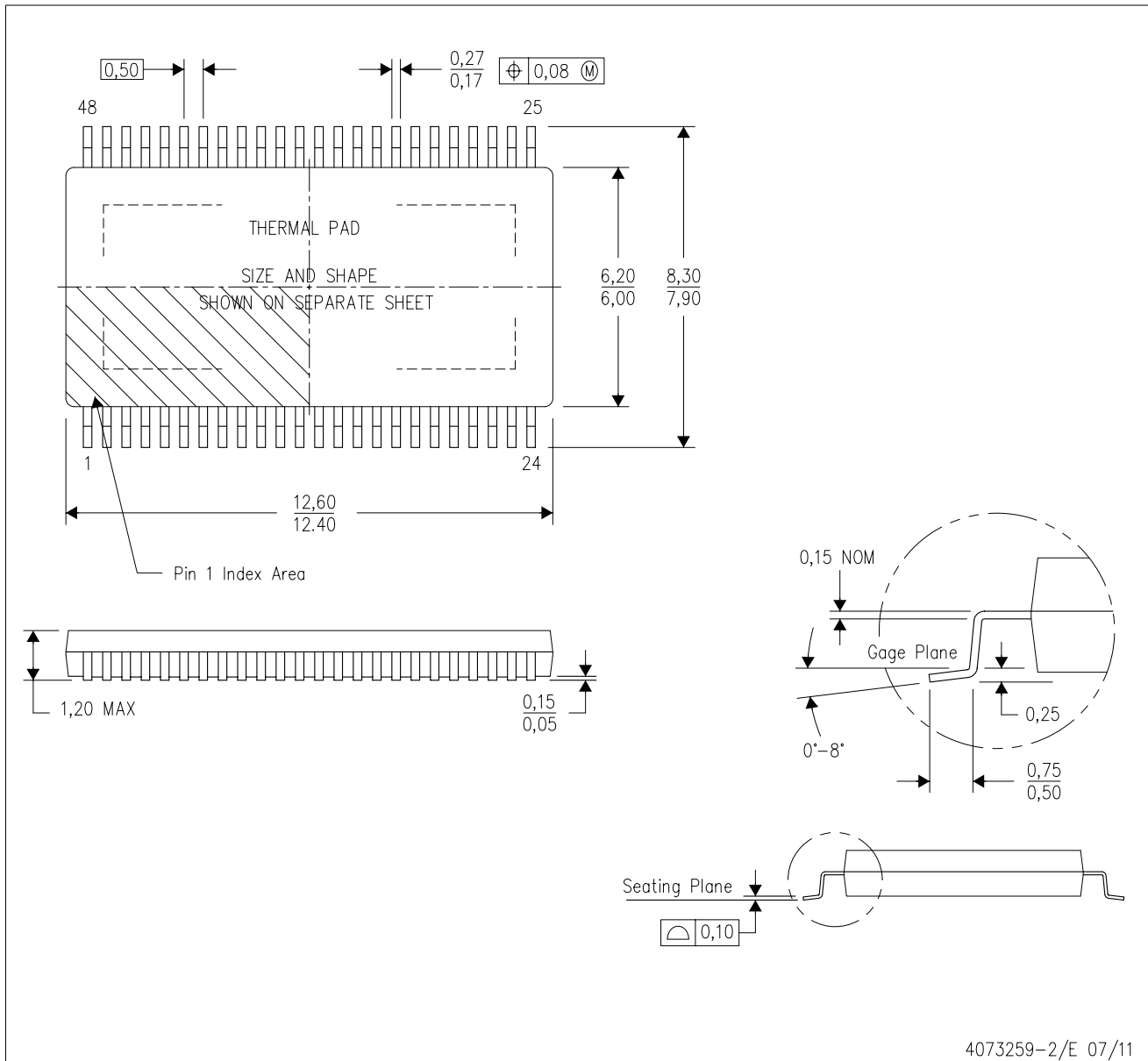


4224608/A

# MECHANICAL DATA

DCA (R-PDSO-G48)

PowerPAD™ PLASTIC SMALL-OUTLINE



4073259-2/E 07/11

- NOTES:
- All linear dimensions are in millimeters. Dimensioning and tolerancing per ASME Y14.5M-1994.
  - This drawing is subject to change without notice.
  - Body dimensions do not include mold flash or protrusion not to exceed 0,15.
  - This package is designed to be soldered to a thermal pad on the board. Refer to Technical Brief, PowerPad Thermally Enhanced Package, Texas Instruments Literature No. SLMA002 for information regarding recommended board layout. This document is available at [www.ti.com](http://www.ti.com) <<http://www.ti.com>>.
  - See the additional figure in the Product Data Sheet for details regarding the exposed thermal pad features and dimensions.
  - Falls within JEDEC MO-153

PowerPAD is a trademark of Texas Instruments.

# THERMAL PAD MECHANICAL DATA

DCA (R-PDSO-G48)

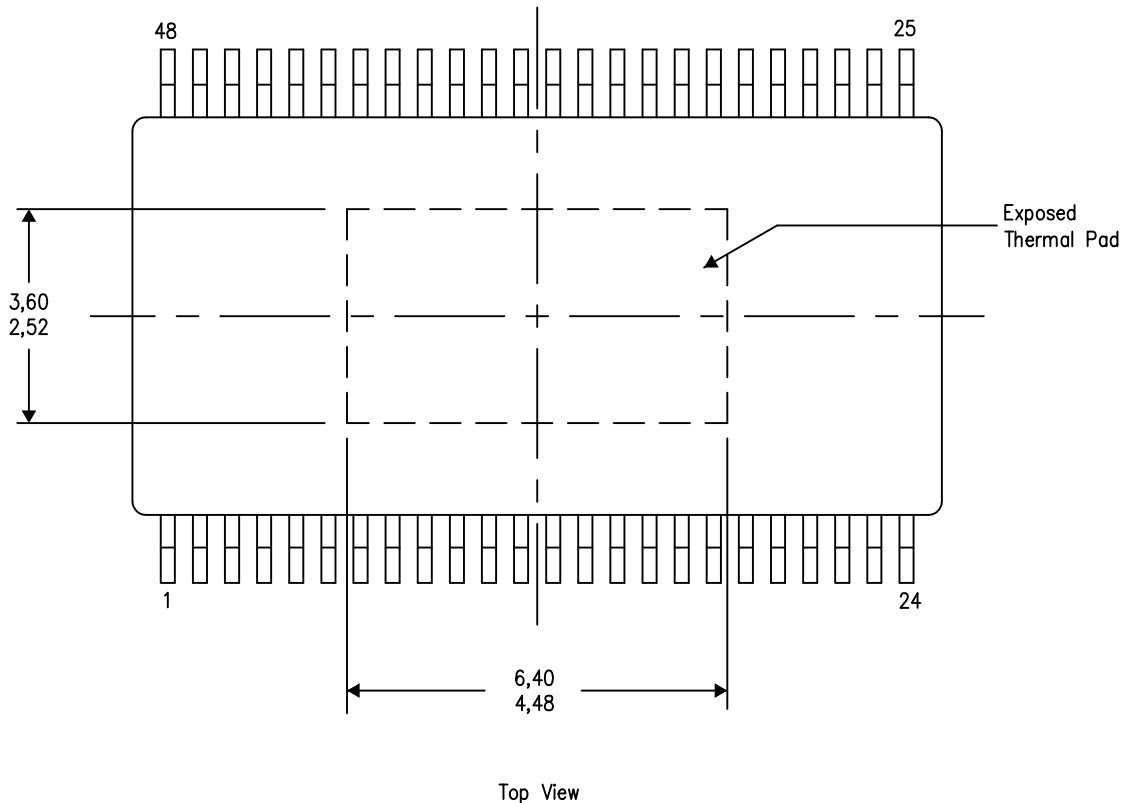
PowerPAD™ PLASTIC SMALL OUTLINE

## THERMAL INFORMATION

This PowerPAD™ package incorporates an exposed thermal pad that is designed to be attached to a printed circuit board (PCB). The thermal pad must be soldered directly to the PCB. After soldering, the PCB can be used as a heatsink. In addition, through the use of thermal vias, the thermal pad can be attached directly to the appropriate copper plane shown in the electrical schematic for the device, or alternatively, can be attached to a special heatsink structure designed into the PCB. This design optimizes the heat transfer from the integrated circuit (IC).

For additional information on the PowerPAD package and how to take advantage of its heat dissipating abilities, refer to Technical Brief, PowerPAD Thermally Enhanced Package, Texas Instruments Literature No. SLMA002 and Application Brief, PowerPAD Made Easy, Texas Instruments Literature No. SLMA004. Both documents are available at [www.ti.com](http://www.ti.com).

The exposed thermal pad dimensions for this package are shown in the following illustration.

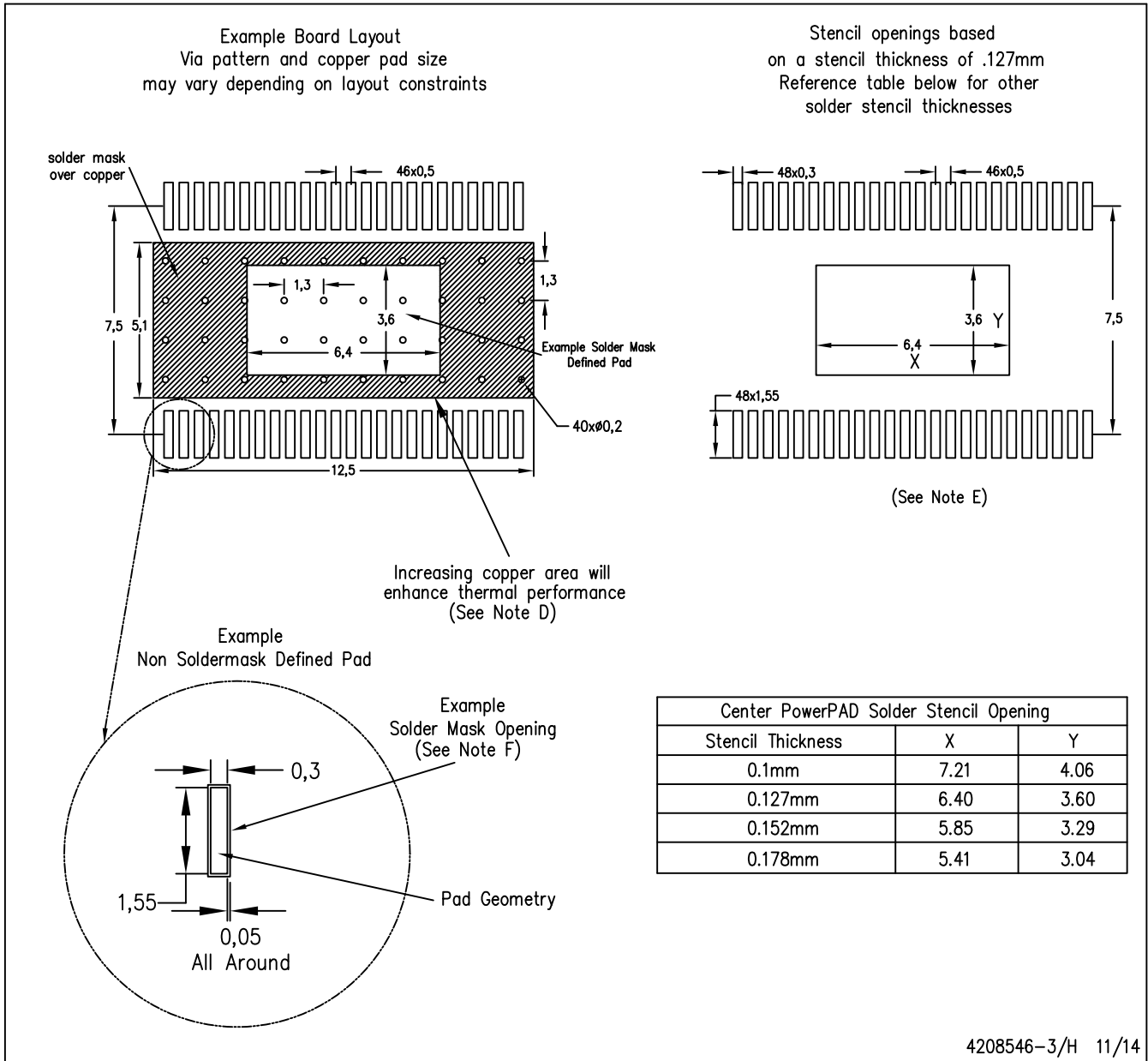


Exposed Thermal Pad Dimensions

4206320-4/S 11/14

NOTE: A. All linear dimensions are in millimeters

PowerPAD is a trademark of Texas Instruments.



- NOTES:
- A. All linear dimensions are in millimeters.
  - B. This drawing is subject to change without notice.
  - C. Customers should place a note on the circuit board fabrication drawing not to alter the center solder mask defined pad.
  - D. This package is designed to be soldered to a thermal pad on the board. Refer to Technical Brief, PowerPAD Thermally Enhanced Package, Texas Instruments Literature No. SLMA002, SLMA004, and also the Product Data Sheets for specific thermal information, via requirements, and recommended board layout. These documents are available at [www.ti.com](http://www.ti.com) <<http://www.ti.com>>. Publication IPC-7351 is recommended for alternate designs.
  - E. Laser cutting apertures with trapezoidal walls and also rounding corners will offer better paste release. Customers should contact their board assembly site for stencil design recommendations. Example stencil design based on a 50% volumetric metal load solder paste. Refer to IPC-7525 for other stencil recommendations.
  - F. Customers should contact their board fabrication site for solder mask tolerances between and around signal pads.

## IMPORTANT NOTICE AND DISCLAIMER

TI PROVIDES TECHNICAL AND RELIABILITY DATA (INCLUDING DATASHEETS), DESIGN RESOURCES (INCLUDING REFERENCE DESIGNS), APPLICATION OR OTHER DESIGN ADVICE, WEB TOOLS, SAFETY INFORMATION, AND OTHER RESOURCES "AS IS" AND WITH ALL FAULTS, AND DISCLAIMS ALL WARRANTIES, EXPRESS AND IMPLIED, INCLUDING WITHOUT LIMITATION ANY IMPLIED WARRANTIES OF MERCHANTABILITY, FITNESS FOR A PARTICULAR PURPOSE OR NON-INFRINGEMENT OF THIRD PARTY INTELLECTUAL PROPERTY RIGHTS.

These resources are intended for skilled developers designing with TI products. You are solely responsible for (1) selecting the appropriate TI products for your application, (2) designing, validating and testing your application, and (3) ensuring your application meets applicable standards, and any other safety, security, regulatory or other requirements.

These resources are subject to change without notice. TI grants you permission to use these resources only for development of an application that uses the TI products described in the resource. Other reproduction and display of these resources is prohibited. No license is granted to any other TI intellectual property right or to any third party intellectual property right. TI disclaims responsibility for, and you fully indemnify TI and its representatives against any claims, damages, costs, losses, and liabilities arising out of your use of these resources.

TI's products are provided subject to [TI's Terms of Sale](#), [TI's General Quality Guidelines](#), or other applicable terms available either on [ti.com](#) or provided in conjunction with such TI products. TI's provision of these resources does not expand or otherwise alter TI's applicable warranties or warranty disclaimers for TI products. Unless TI explicitly designates a product as custom or customer-specified, TI products are standard, catalog, general purpose devices.

TI objects to and rejects any additional or different terms you may propose.

Copyright © 2025, Texas Instruments Incorporated

Last updated 10/2025