

TL494 Pulse-Width-Modulation Control Circuits

1 Features

- Complete PWM Power-Control Circuitry
- Uncommitted Outputs for 200-mA Sink or Source Current
- Output Control Selects Single-Ended or Push-Pull Operation
- Internal Circuitry Prohibits Double Pulse at Either Output
- Variable Dead Time Provides Control Over Total Range
- Internal Regulator Provides a Stable 5-V Reference Supply With 5% Tolerance
- Circuit Architecture Allows Easy Synchronization

2 Applications

- Desktop PCs
- Microwave Ovens
- Power Supplies: AC/DC, Isolated, With or Without PFC
- Server PSUs
- Solar Micro-Inverters
- Washing Machines: Low-End and High-End
- E-Bikes
- Power: Telecom/Server AC/DC Supplies: Dual Controller: Analog
- Smoke Detectors
- Solar Power Inverters

3 Description

The TL494 device incorporates all the functions required in the construction of a pulse-width-modulation (PWM) control circuit on a single chip. Designed primarily for power-supply control, this device offers the flexibility to tailor the power-supply control circuitry to a specific application.

The TL494 device contains two error amplifiers, an on-chip adjustable oscillator, a dead-time control (DTC) comparator, a pulse-steering control flip-flop, a 5-V, 5%-precision regulator, and output-control circuits.

The error amplifiers exhibit a common-mode voltage range from -0.3 V to $V_{CC} - 2\text{ V}$. The dead-time control comparator has a fixed offset that provides approximately 5% dead time. The on-chip oscillator can be bypassed by terminating RT to the reference output and providing a sawtooth input to CT, or it can drive the common circuits in synchronous multiple-rail power supplies.

The uncommitted output transistors provide either common-emitter or emitter-follower output capability. The TL494 device provides for push-pull or single-ended output operation, which can be selected through the output-control function. The architecture of this device prohibits the possibility of either output being pulsed twice during push-pull operation.

The TL494 device is characterized for operation from 0°C to 70°C . The TL494I device is characterized for operation from -40°C to 85°C .

Device Information⁽¹⁾

| PART NUMBER | PACKAGE (PIN) | BODY SIZE |
|-------------|---------------|--------------------|
| TL494 | SOIC (16) | 9.90 mm × 3.91 mm |
| | PDIP (16) | 19.30 mm × 6.35 mm |
| | SOP (16) | 10.30 mm × 5.30 mm |
| | TSSOP (16) | 5.00 mm × 4.40 mm |

(1) For all available packages, see the orderable addendum at the end of the data sheet.

4 Simplified Block Diagram

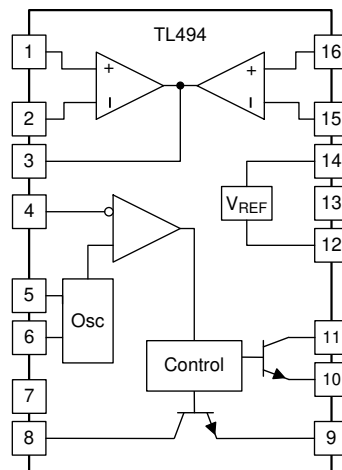


Table of Contents

| | | | |
|---|---|--|----|
| 1 Features | 1 | 7.13 Typical Characteristics..... | 7 |
| 2 Applications | 1 | 8 Parameter Measurement Information | 8 |
| 3 Description | 1 | 9 Detailed Description | 10 |
| 4 Simplified Block Diagram | 1 | 9.1 Overview..... | 10 |
| 5 Revision History | 2 | 9.2 Functional Block Diagram..... | 10 |
| 6 Pin Configuration and Functions | 3 | 9.3 Feature Description..... | 10 |
| 7 Specifications | 4 | 9.4 Device Functional Modes..... | 12 |
| 7.1 Absolute Maximum Ratings..... | 4 | 10 Application and Implementation | 13 |
| 7.2 ESD Ratings..... | 4 | 10.1 Application Information..... | 13 |
| 7.3 Recommended Operating Conditions..... | 4 | 10.2 Typical Application..... | 13 |
| 7.4 Thermal Information..... | 4 | 11 Power Supply Recommendations | 20 |
| 7.5 Electrical Characteristics, Reference Section..... | 5 | 12 Layout | 20 |
| 7.6 Electrical Characteristics, Oscillator Section..... | 5 | 12.1 Layout Guidelines..... | 20 |
| 7.7 Electrical Characteristics, Error-Amplifier Section..... | 5 | 12.2 Layout Example..... | 21 |
| 7.8 Electrical Characteristics, Output Section..... | 6 | 13 Device and Documentation Support | 21 |
| 7.9 Electrical Characteristics, Dead-Time Control Section..... | 6 | 13.1 Trademarks..... | 21 |
| 7.10 Electrical Characteristics, PWM Comparator Section..... | 6 | 13.2 Electrostatic Discharge Caution..... | 21 |
| 7.11 Electrical Characteristics, Total Device..... | 6 | 13.3 Glossary..... | 21 |
| 7.12 Switching Characteristics..... | 6 | 14 Mechanical, Packaging, and Orderable Information | 21 |

5 Revision History

NOTE: Page numbers for previous revisions may differ from page numbers in the current version.

Changes from Revision H (March 2017) to Revision I (July 2022) Page

- Updated the numbering format for tables, figures, and cross-references throughout the document..... 1

Changes from Revision G (January 2015) to Revision H (March 2017) Page

- Updated package illustration..... 1
- Corrected resistor polarity references in the *Current-Limiting Amplifier* section..... 15
- Updated Figure 12. 15

Changes from Revision F (January 2014) to Revision G (January 2015) Page

- Added *Applications*, *Device Information* table, *Pin Functions* table, *ESD Ratings* table, *Thermal Information* table, , *Feature Description* section, *Device Functional Modes*, *Application and Implementation* section, *Power Supply Recommendations* section, *Layout* section, *Device and Documentation Support* section, and *Mechanical, Packaging, and Orderable Information* section..... 1

Changes from Revision E (February 2005) to Revision F (January 2014) Page

- Updated document to new TI data sheet format - no specification changes..... 1
- Removed *Ordering Information* table..... 1
- Added ESD warning..... 1

6 Pin Configuration and Functions

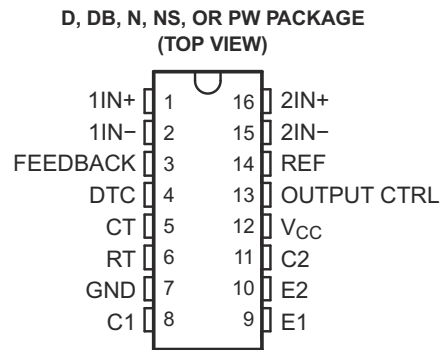


Table 6-1. Pin Functions

| PIN | | TYPE | DESCRIPTION |
|-----------------|-----|------|---|
| NAME | NO. | | |
| 1IN+ | 1 | I | Noninverting input to error amplifier 1 |
| 1IN- | 2 | I | Inverting input to error amplifier 1 |
| 2IN+ | 16 | I | Noninverting input to error amplifier 2 |
| 2IN- | 15 | I | Inverting input to error amplifier 2 |
| C1 | 8 | O | Collector terminal of BJT output 1 |
| C2 | 11 | O | Collector terminal of BJT output 2 |
| CT | 5 | — | Capacitor terminal used to set oscillator frequency |
| DTC | 4 | I | Dead-time control comparator input |
| E1 | 9 | O | Emitter terminal of BJT output 1 |
| E2 | 10 | O | Emitter terminal of BJT output 2 |
| FEEDBACK | 3 | I | Input pin for feedback |
| GND | 7 | — | Ground |
| OUTPUT CTRL | 13 | I | Selects single-ended/parallel output or push-pull operation |
| REF | 14 | O | 5-V reference regulator output |
| RT | 6 | — | Resistor terminal used to set oscillator frequency |
| V _{CC} | 12 | — | Positive Supply |

7 Specifications

7.1 Absolute Maximum Ratings

over operating free-air temperature range (unless otherwise noted)⁽¹⁾

| | | MIN | MAX | UNIT |
|------------------|--|-----|-----------------------|------|
| V _{CC} | Supply voltage ⁽²⁾ | | 41 | V |
| V _I | Amplifier input voltage | | V _{CC} + 0.3 | V |
| V _O | Collector output voltage | | 41 | V |
| I _O | Collector output current | | 250 | mA |
| | Lead temperature 1,6 mm (1/16 inch) from case for 10 seconds | | 260 | °C |
| T _{stg} | Storage temperature range | -65 | 150 | °C |

- (1) Stresses beyond those listed under *Absolute Maximum Ratings* may cause permanent damage to the device. These are stress ratings only, and functional operation of the device at these or any other conditions beyond those indicated under *Recommended Operating Conditions* is not implied. Exposure to absolute-maximum-rated conditions for extended periods may affect device reliability.
- (2) All voltages are with respect to the network ground terminal.

7.2 ESD Ratings

| | | MAX | UNIT | |
|--------------------|-------------------------|---|------|---|
| V _(ESD) | Electrostatic discharge | Human body model (HBM), per ANSI/ESDA/JEDEC JS-001, all pins | 500 | V |
| | | Charged device model (CDM), per JEDEC specification JESD22-C101, all pins | 200 | |

7.3 Recommended Operating Conditions

| | | MIN | MAX | UNIT | |
|------------------|--|--------|---------------------|------|----|
| V _{CC} | Supply voltage | 7 | 40 | V | |
| V _I | Amplifier input voltage | -0.3 | V _{CC} - 2 | V | |
| V _O | Collector output voltage | | 40 | V | |
| | Collector output current (each transistor) | | 200 | mA | |
| | Current into feedback terminal | | 0.3 | mA | |
| f _{OSC} | Oscillator frequency | 1 | 300 | kHz | |
| C _T | Timing capacitor | 0.47 | 10000 | nF | |
| R _T | Timing resistor | 1.8 | 500 | kΩ | |
| T _A | Operating free-air temperature | TL494C | 0 | 70 | °C |
| | | TL494I | -40 | 85 | |

7.4 Thermal Information

over operating free-air temperature range (unless otherwise noted)

| PARAMETER | TL494 | | | | | UNIT | |
|-------------------|--|----|----|----|----|------|------|
| | D | DB | N | NS | PW | | |
| R _{θ JA} | Package thermal impedance ^{(1) (2)} | 73 | 82 | 67 | 64 | 108 | °C/W |

- (1) Maximum power dissipation is a function of T_{J(max)}, θ_{JA}, and T_A. The maximum allowable power dissipation at any allowable ambient temperature is P_D = (T_{J(max)} - T_A) / θ_{JA}. Operating at the absolute maximum T_J of 150°C can affect reliability.
- (2) The package thermal impedance is calculated in accordance with JESD 51-7.

7.5 Electrical Characteristics, Reference Section

over recommended operating free-air temperature range, $V_{CC} = 15\text{ V}$, $f = 10\text{ kHz}$ (unless otherwise noted)

| PARAMETER | TEST CONDITIONS ⁽¹⁾ | TL494C, TL494I | | | UNIT |
|---|--------------------------------------|----------------|--------------------|------|------|
| | | MIN | TYP ⁽²⁾ | MAX | |
| Output voltage (REF) | $I_O = 1\text{ mA}$ | 4.75 | 5 | 5.25 | V |
| Input regulation | $V_{CC} = 7\text{ V to }40\text{ V}$ | | 2 | 25 | mV |
| Output regulation | $I_O = 1\text{ mA to }10\text{ mA}$ | | 1 | 15 | mV |
| Output voltage change with temperature | $\Delta T_A = \text{MIN to MAX}$ | | 2 | 10 | mV/V |
| Short-circuit output current ⁽³⁾ | REF = 0 V | | 25 | | mA |

- (1) For conditions shown as MIN or MAX, use the appropriate value specified under recommended operating conditions.
 (2) All typical values, except for parameter changes with temperature, are at $T_A = 25^\circ\text{C}$.
 (3) Duration of short circuit should not exceed one second.

7.6 Electrical Characteristics, Oscillator Section

$C_T = 0.01\ \mu\text{F}$, $R_T = 12\text{ k}\Omega$ (see [Figure 8-1](#))

| PARAMETER | TEST CONDITIONS ⁽¹⁾ | TL494C, TL494I | | | UNIT |
|--|---|----------------|--------------------|-----|--------|
| | | MIN | TYP ⁽²⁾ | MAX | |
| Frequency | | | 10 | | kHz |
| Standard deviation of frequency ⁽³⁾ | All values of V_{CC} , C_T , R_T , and T_A constant | | 100 | | Hz/kHz |
| Frequency change with voltage | $V_{CC} = 7\text{ V to }40\text{ V}$, $T_A = 25^\circ\text{C}$ | | 1 | | Hz/kHz |
| Frequency change with temperature ⁽⁴⁾ | $\Delta T_A = \text{MIN to MAX}$ | | | 10 | Hz/kHz |

- (1) For conditions shown as MIN or MAX, use the appropriate value specified under recommended operating conditions.
 (2) All typical values, except for parameter changes with temperature, are at $T_A = 25^\circ\text{C}$.
 (3) Standard deviation is a measure of the statistical distribution about the mean as derived from the formula:

$$\sigma = \sqrt{\frac{\sum_{n=1}^N (x_n - \bar{X})^2}{N - 1}}$$

- (4) Temperature coefficient of timing capacitor and timing resistor are not taken into account.

7.7 Electrical Characteristics, Error-Amplifier Section

See [Figure 8-2](#)

| PARAMETER | TEST CONDITIONS | TL494C, TL494I | | | UNIT |
|----------------------------------|---|----------------------|--------------------|-----|---------------|
| | | MIN | TYP ⁽¹⁾ | MAX | |
| Input offset voltage | V_O (FEEDBACK) = 2.5 V | | 2 | 10 | mV |
| Input offset current | V_O (FEEDBACK) = 2.5 V | | 25 | 250 | nA |
| Input bias current | V_O (FEEDBACK) = 2.5 V | | 0.2 | 1 | μA |
| Common-mode input voltage range | $V_{CC} = 7\text{ V to }40\text{ V}$ | -0.3 to $V_{CC} - 2$ | | | V |
| Open-loop voltage amplification | $\Delta V_O = 3\text{ V}$, $V_O = 0.5\text{ V to }3.5\text{ V}$, $R_L = 2\text{ k}\Omega$ | | 70 | 95 | dB |
| Unity-gain bandwidth | $V_O = 0.5\text{ V to }3.5\text{ V}$, $R_L = 2\text{ k}\Omega$ | | 800 | | kHz |
| Common-mode rejection ratio | $\Delta V_O = 40\text{ V}$, $T_A = 25^\circ\text{C}$ | | 65 | 80 | dB |
| Output sink current (FEEDBACK) | $V_{ID} = -15\text{ mV to }-5\text{ V}$, V (FEEDBACK) = 0.7 V | | 0.3 | 0.7 | mA |
| Output source current (FEEDBACK) | $V_{ID} = 15\text{ mV to }5\text{ V}$, V (FEEDBACK) = 3.5 V | | -2 | | mA |

- (1) All typical values, except for parameter changes with temperature, are at $T_A = 25^\circ\text{C}$.

7.8 Electrical Characteristics, Output Section

| PARAMETER | | TEST CONDITIONS | MIN | TYP ⁽¹⁾ | MAX | UNIT |
|--------------------------------------|------------------|--|-----|--------------------|------|---------------|
| Collector off-state current | | $V_{CE} = 40\text{ V}, V_{CC} = 40\text{ V}$ | | 2 | 100 | μA |
| Emitter off-state current | | $V_{CC} = V_C = 40\text{ V}, V_E = 0$ | | | -100 | μA |
| Collector-emitter saturation voltage | Common emitter | $V_E = 0, I_C = 200\text{ mA}$ | | 1.1 | 1.3 | V |
| | Emitter follower | $V_{O(C1\text{ or }C2)} = 15\text{ V}, I_E = -200\text{ mA}$ | | 1.5 | 2.5 | |
| Output control input current | | $V_I = V_{ref}$ | | | 3.5 | mA |

(1) All typical values, except for temperature coefficient, are at $T_A = 25^\circ\text{C}$.

7.9 Electrical Characteristics, Dead-Time Control Section

See [Figure 8-1](#)

| PARAMETER | | TEST CONDITIONS | MIN | TYP ⁽¹⁾ | MAX | UNIT |
|--|--------------------|--|-----|--------------------|-----|---------------|
| Input bias current (DEAD-TIME CTRL) | | $V_I = 0\text{ to }5.25\text{ V}$ | | -2 | -10 | μA |
| Maximum duty cycle, each output | | V_I (DEAD-TIME CTRL) = 0, $C_T = 0.01\ \mu\text{F}$, $R_T = 12\ \text{k}\Omega$ | | 45% | | — |
| Input threshold voltage (DEAD-TIME CTRL) | Zero duty cycle | | | 3 | 3.3 | V |
| | Maximum duty cycle | | | 0 | | |

(1) All typical values, except for temperature coefficient, are at $T_A = 25^\circ\text{C}$.

7.10 Electrical Characteristics, PWM Comparator Section

See [Figure 8-1](#)

| PARAMETER | | TEST CONDITIONS | MIN | TYP ⁽¹⁾ | MAX | UNIT |
|------------------------------------|--|------------------------|-----|--------------------|-----|------|
| Input threshold voltage (FEEDBACK) | | Zero duty cycle | | 4 | 4.5 | V |
| Input sink current (FEEDBACK) | | V (FEEDBACK) = 0.7 V | 0.3 | 0.7 | | mA |

(1) All typical values, except for temperature coefficient, are at $T_A = 25^\circ\text{C}$.

7.11 Electrical Characteristics, Total Device

| PARAMETER | | TEST CONDITIONS | MIN | TYP ⁽¹⁾ | MAX | UNIT |
|------------------------|--|--|-----|--------------------|-----|------|
| Standby supply current | $R_T = V_{ref}$, All other inputs and outputs open | $V_{CC} = 15\text{ V}$ | | 6 | 10 | mA |
| | | $V_{CC} = 40\text{ V}$ | | 9 | 15 | |
| Average supply current | | V_I (DEAD-TIME CTRL) = 2 V, See Figure 8-1 | | 7.5 | | mA |

(1) All typical values, except for temperature coefficient, are at $T_A = 25^\circ\text{C}$.

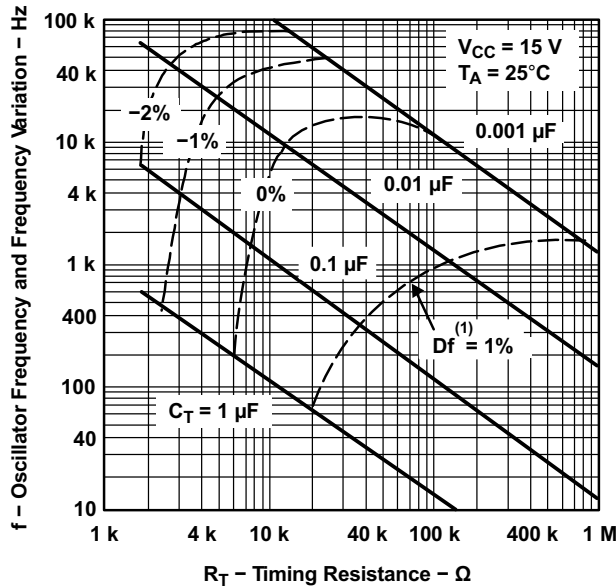
7.12 Switching Characteristics

$T_A = 25^\circ\text{C}$

| PARAMETER | | TEST CONDITIONS | MIN | TYP ⁽¹⁾ | MAX | UNIT |
|-----------|--|-----------------|-----|--------------------|-----|------|
| Rise time | Common-emitter configuration, See Figure 8-3 | | | 100 | 200 | ns |
| Fall time | | | | 25 | 100 | ns |
| Rise time | Emitter-follower configuration, See Figure 8-4 | | | 100 | 200 | ns |
| Fall time | | | | 40 | 100 | ns |

(1) All typical values, except for temperature coefficient, are at $T_A = 25^\circ\text{C}$.

7.13 Typical Characteristics



Frequency variation (Δf) is the change in oscillator frequency that occurs over the full temperature range.

Figure 7-1. Oscillator Frequency and Frequency Variation vs Timing Resistance

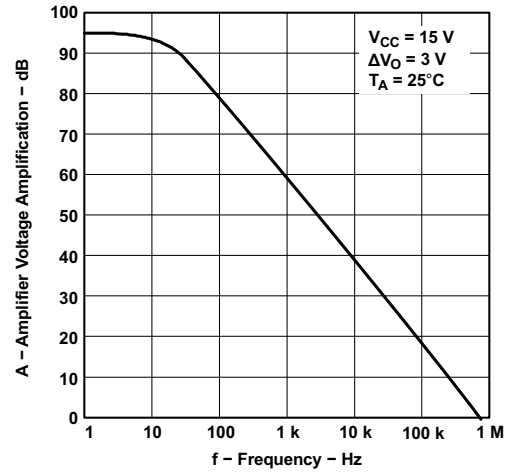


Figure 7-2. Amplifier Voltage Amplification vs Frequency

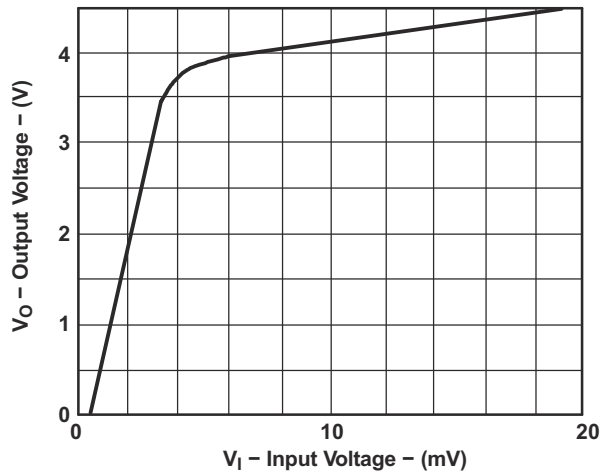


Figure 7-3. Error Amplifier Transfer Characteristics

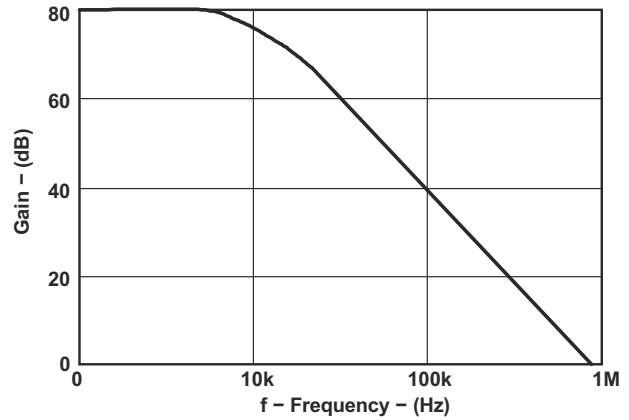


Figure 7-4. Error Amplifier Bode Plot

8 Parameter Measurement Information

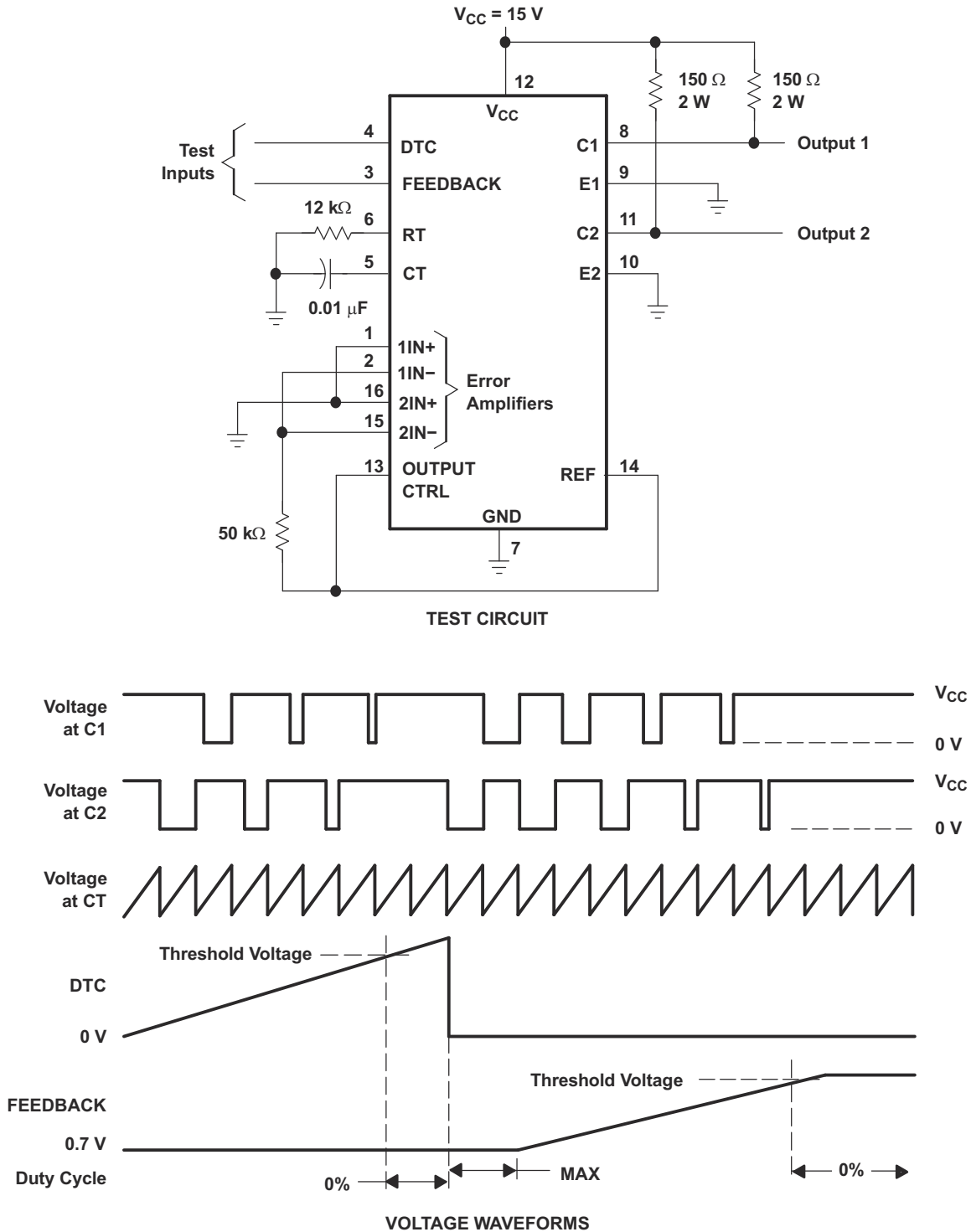


Figure 8-1. Operational Test Circuit and Waveforms

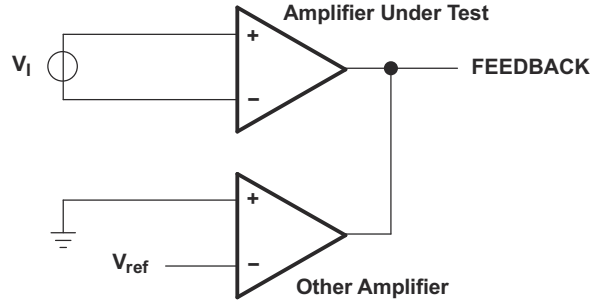
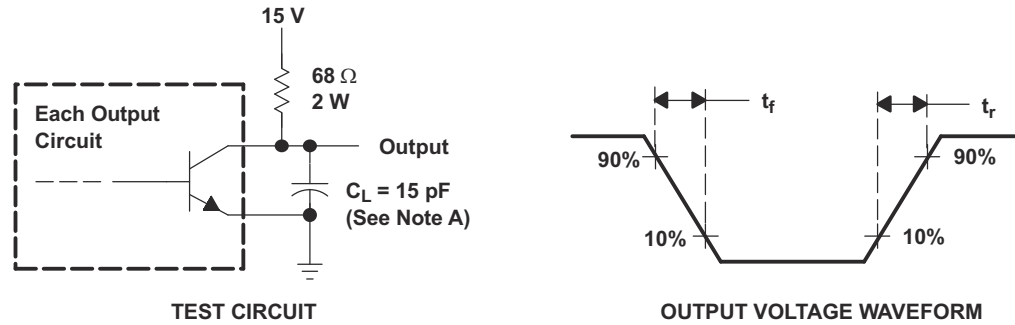
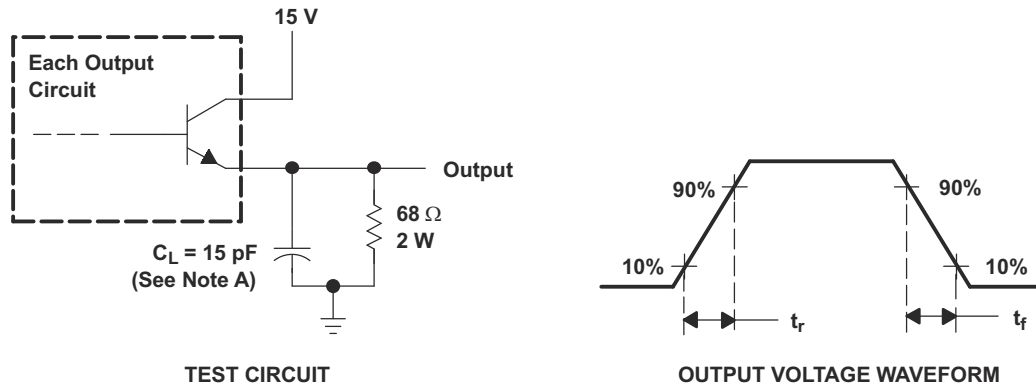


Figure 8-2. Amplifier Characteristics



NOTE A: C_L includes probe and jig capacitance.

Figure 8-3. Common-Emitter Configuration



NOTE A: C_L includes probe and jig capacitance.

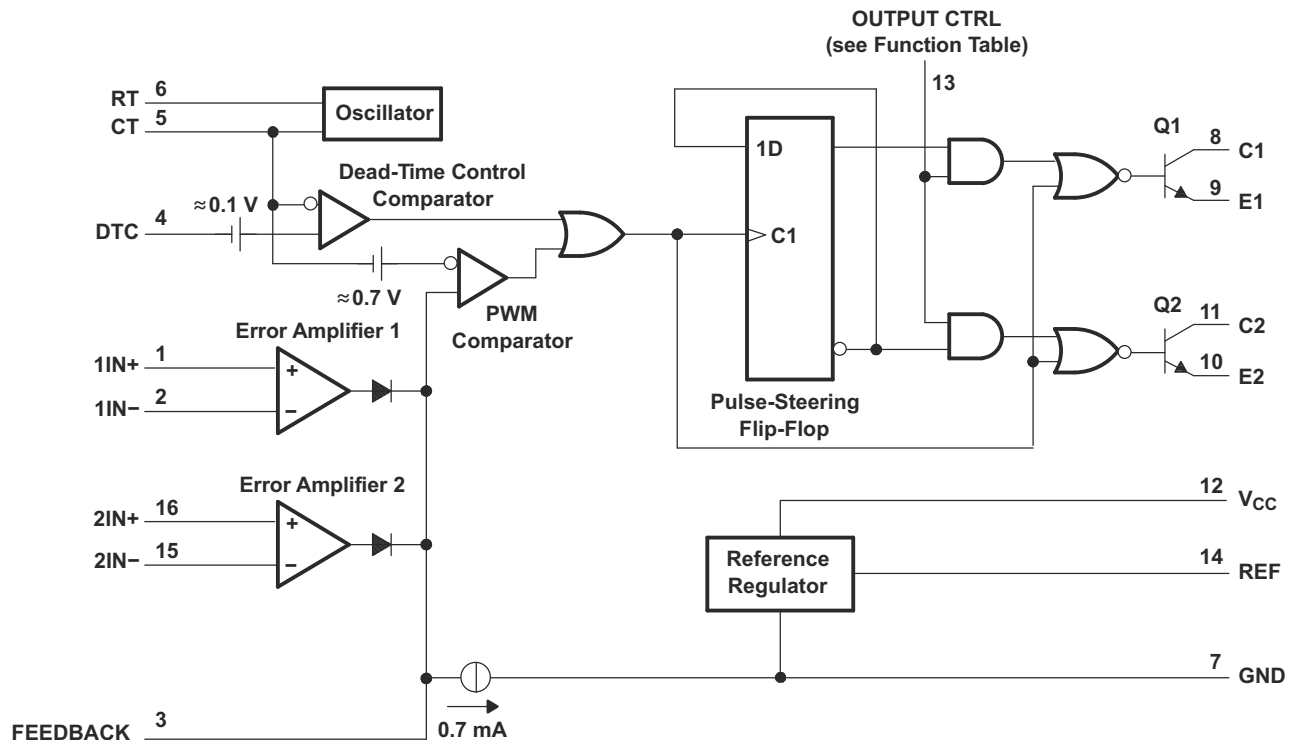
Figure 8-4. Emitter-Follower Configuration

9 Detailed Description

9.1 Overview

The design of the TL494 not only incorporates the primary building blocks required to control a switching power supply, but also addresses many basic problems and reduces the amount of additional circuitry required in the total design. The TL494 is a fixed-frequency pulse-width-modulation (PWM) control circuit. Modulation of output pulses is accomplished by comparing the sawtooth waveform created by the internal oscillator on the timing capacitor (CT) to either of two control signals. The output stage is enabled during the time when the sawtooth voltage is greater than the voltage control signals. As the control signal increases, the time during which the sawtooth input is greater decreases; therefore, the output pulse duration decreases. A pulse-steering flip-flop alternately directs the modulated pulse to each of the two output transistors. For more information on the operation of the TL494, see the application notes located on ti.com.

9.2 Functional Block Diagram



9.3 Feature Description

9.3.1 5-V Reference Regulator

The TL494 internal 5-V reference regulator output is the REF pin. In addition to providing a stable reference, it acts as a preregulator and establishes a stable supply from which the output-control logic, pulse-steering flip-flop, oscillator, dead-time control comparator, and PWM comparator are powered. The regulator employs a band-gap circuit as its primary reference to maintain thermal stability of less than 100-mV variation over the operating free-air temperature range of 0°C to 70°C. Short-circuit protection is provided to protect the internal reference and preregulator; 10 mA of load current is available for additional bias circuits. The reference is internally programmed to an initial accuracy of $\pm 5\%$ and maintains a stability of less than 25-mV variation over an input voltage range of 7 V to 40 V. For input voltages less than 7 V, the regulator saturates within 1 V of the input and tracks it.

9.3.2 Oscillator

The oscillator provides a positive sawtooth waveform to the dead-time and PWM comparators for comparison to the various control signals.

The frequency of the oscillator is programmed by selecting timing components R_T and C_T . The oscillator charges the external timing capacitor, C_T , with a constant current, the value of which is determined by the external timing resistor, R_T . This produces a linear-ramp voltage waveform. When the voltage across C_T reaches 3 V, the oscillator circuit discharges it, and the charging cycle is reinitiated. The charging current is determined by the formula:

$$I_{\text{CHARGE}} = \frac{3\text{ V}}{R_T} \quad (1)$$

The period of the sawtooth waveform is:

$$T = \frac{3\text{ V} \times C_T}{I_{\text{CHARGE}}} \quad (2)$$

The frequency of the oscillator becomes:

$$f_{\text{OSC}} = \frac{1}{R_T \times C_T} \quad (3)$$

However, the oscillator frequency is equal to the output frequency only for single-ended applications. For push-pull applications, the output frequency is one-half the oscillator frequency.

Single-ended applications:

$$f = \frac{1}{R_T \times C_T} \quad (4)$$

Push-pull applications:

$$f = \frac{1}{2R_T \times C_T} \quad (5)$$

9.3.3 Dead-time Control

The dead-time control input provides control of the minimum dead time (off time). The output of the comparator inhibits switching transistors Q1 and Q2 when the voltage at the input is greater than the ramp voltage of the oscillator. An internal offset of 110 mV ensures a minimum dead time of ~3% with the dead-time control input grounded. Applying a voltage to the dead-time control input can impose additional dead time. This provides a linear control of the dead time from its minimum of 3% to 100% as the input voltage is varied from 0 V to 3.3 V, respectively. With full-range control, the output can be controlled from external sources without disrupting the error amplifiers. The dead-time control input is a relatively high-impedance input ($I_I < 10 \mu\text{A}$) and should be used where additional control of the output duty cycle is required. However, for proper control, the input must be terminated. An open circuit is an undefined condition.

9.3.4 Comparator

The comparator is biased from the 5-V reference regulator. This provides isolation from the input supply for improved stability. The input of the comparator does not exhibit hysteresis, so protection against false triggering near the threshold must be provided. The comparator has a response time of 400 ns from either of the control-signal inputs to the output transistors, with only 100 mV of overdrive. This ensures positive control of the output within one-half cycle for operation within the recommended 300-kHz range.

9.3.5 Pulse-Width Modulation (PWM)

The comparator also provides modulation control of the output pulse width. For this, the ramp voltage across timing capacitor C_T is compared to the control signal present at the output of the error amplifiers. The timing capacitor input incorporates a series diode that is omitted from the control signal input. This requires the control

signal (error amplifier output) to be ~ 0.7 V greater than the voltage across C_T to inhibit the output logic, and ensures maximum duty cycle operation without requiring the control voltage to sink to a true ground potential. The output pulse width varies from 97% of the period to 0 as the voltage present at the error amplifier output varies from 0.5 V to 3.5 V, respectively.

9.3.6 Error Amplifiers

Both high-gain error amplifiers receive their bias from the V_I supply rail. This permits a common-mode input voltage range from -0.3 V to 2 V less than V_I . Both amplifiers behave characteristically of a single-ended single-supply amplifier, in that each output is active high only. This allows each amplifier to pull up independently for a decreasing output pulse-width demand. With both outputs ORed together at the inverting input node of the PWM comparator, the amplifier demanding the minimum pulse out dominates. The amplifier outputs are biased low by a current sink to provide maximum pulse width out when both amplifiers are biased off.

9.3.7 Output-Control Input

The output-control input determines whether the output transistors operate in parallel or push-pull. This input is the supply source for the pulse-steering flip-flop. The output-control input is asynchronous and has direct control over the output, independent of the oscillator or pulse-steering flip-flop. The input condition is intended to be a fixed condition that is defined by the application. For parallel operation, the output-control input must be grounded. This disables the pulse-steering flip-flop and inhibits its outputs. In this mode, the pulses seen at the output of the dead-time control/PWM comparator are transmitted by both output transistors in parallel. For push-pull operation, the output-control input must be connected to the internal 5-V reference regulator. Under this condition, each of the output transistors is enabled, alternately, by the pulse-steering flip-flop.

9.3.8 Output Transistors

Two output transistors are available on the TL494. Both transistors are configured as open collector/open emitter, and each is capable of sinking or sourcing up to 200 mA. The transistors have a saturation voltage of less than 1.3 V in the common-emitter configuration and less than 2.5 V in the emitter-follower configuration. The outputs are protected against excessive power dissipation to prevent damage, but do not employ sufficient current limiting to allow them to be operated as current-source outputs.

9.4 Device Functional Modes

When the OUTPUT CTRL pin is tied to ground, the TL494 is operating in single-ended or parallel mode. When the OUTPUT CTRL pin is tied to V_{REF} , the TL494 is operating in normal push-pull operation.

10 Application and Implementation

Note

Information in the following applications sections is not part of the TI component specification, and TI does not warrant its accuracy or completeness. TI's customers are responsible for determining suitability of components for their purposes, as well as validating and testing their design implementation to confirm system functionality.

10.1 Application Information

The following design example uses the TL494 to create a 5-V/10-A power supply. This application was taken from application note [SLVA001](#).

10.2 Typical Application

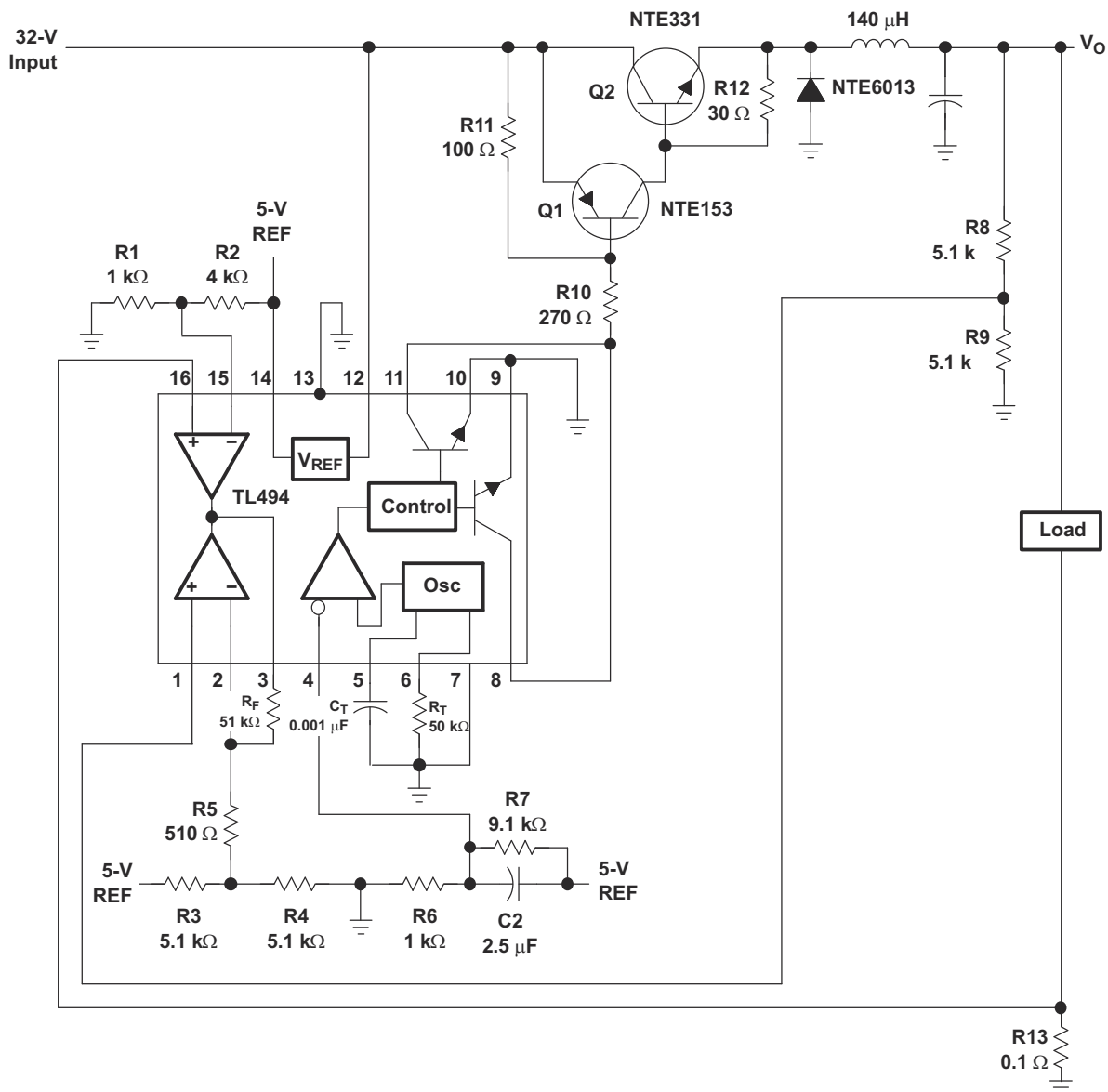


Figure 10-1. Switching and Control Sections

10.2.1 Design Requirements

- $V_I = 32\text{ V}$
- $V_O = 5\text{ V}$
- $I_O = 10\text{ A}$
- $f_{\text{OSC}} = 20\text{-kHz}$ switching frequency
- $V_R = 20\text{-mV}$ peak-to-peak (V_{RIPPLE})
- $\Delta I_L = 1.5\text{-A}$ inductor current change

10.2.2 Detailed Design Procedure

10.2.2.1 Input Power Source

The 32-V dc power source for this supply uses a 120-V input, 24-V output transformer rated at 75 VA. The 24-V secondary winding feeds a full-wave bridge rectifier, followed by a current-limiting resistor ($0.3\ \Omega$) and two filter capacitors (see Figure 10-2).

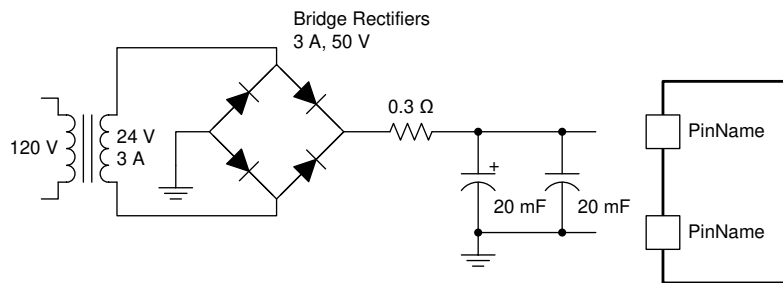


Figure 10-2. Input Power Source

The output current and voltage are determined by Equation 6 and Equation 7:

$$V_{\text{RECTIFIER}} = V_{\text{SECONDARY}} \times \sqrt{2} = 24\text{ V} \times \sqrt{2} = 34\text{ V} \quad (6)$$

$$I_{\text{RECTIFIER(AVG)}} \approx \frac{V_O}{V_I} \times I_O \approx \frac{5\text{ V}}{32\text{ V}} \times 10\text{ A} = 1.6\text{ A} \quad (7)$$

The 3-A/50-V full-wave bridge rectifier meets these calculated conditions. Figure 10-1 shows the switching and control sections.

10.2.2.2 Control Circuits

10.2.2.2.1 Oscillator

Connecting an external capacitor and resistor to pins 5 and 6 controls the TL494 oscillator frequency. The oscillator is set to operate at 20 kHz, using the component values calculated by Equation 8 and Equation 9:

$$f_{\text{OSC}} = \frac{1}{R_T \times C_T} \quad (8)$$

Choose $C_T = 0.001\ \mu\text{F}$ and calculate R_T :

$$R_T = \frac{1}{f_{\text{OSC}} \times C_T} = \frac{1}{(20 \times 10^3) \times (0.001 \times 10^{-6})} = 50\text{ k}\Omega \quad (9)$$

10.2.2.2.2 Error Amplifier

The error amplifier compares a sample of the 5-V output to the reference and adjusts the PWM to maintain a constant output current (see Figure 10-3).

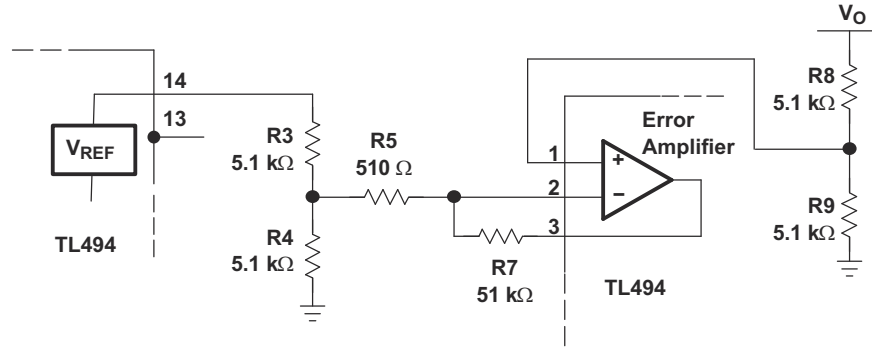


Figure 10-3. Error-Amplifier Section

The TL494 internal 5-V reference is divided to 2.5 V by R3 and R4. The output-voltage error signal also is divided to 2.5 V by R8 and R9. If the output must be regulated to exactly 5.0 V, a 10-kΩ potentiometer can be used in place of R8 to provide an adjustment.

To increase the stability of the error-amplifier circuit, the output of the error amplifier is fed back to the inverting input through R_T, reducing the gain to 101.

10.2.2.2.3 Current-Limiting Amplifier

The power supply was designed for a 10-A load current and an I_L swing of 1.5 A, therefore, the short-circuit current should be:

$$I_{SC} = I_O + \frac{I_L}{2} = 10.75 \text{ A} \quad (10)$$

The current-limiting circuit is shown in [Figure 10-4](#).

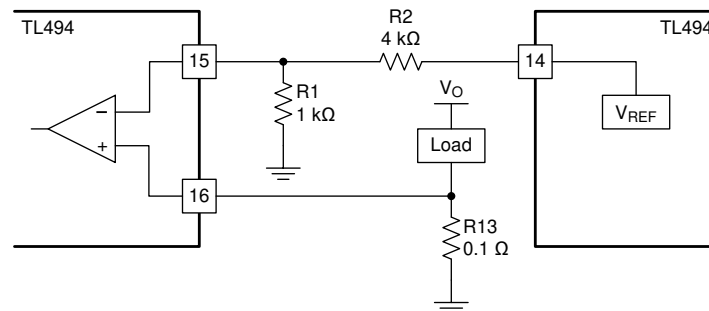


Figure 10-4. Current-Limiting Circuit

Resistors R1 and R2 set the reference of approximately 1 V on the inverting input of the current-limiting amplifier. Resistor R13, in series with the load, applies 1 V to the non-inverting terminal of the current-limiting amplifier when the load current reaches 10 A. The output pulse width reduces accordingly. The value of R13 is calculated in [Equation 11](#).

$$R13 = \frac{1 \text{ V}}{10 \text{ A}} = 0.1 \Omega \quad (11)$$

10.2.2.2.4 Soft Start and Dead Time

To reduce stress on the switching transistors at the start-up time, the start-up surge that occurs as the output filter capacitor charges must be reduced. The availability of the dead-time control makes implementation of a soft-start circuit relatively simple (see [Figure 10-5](#)).

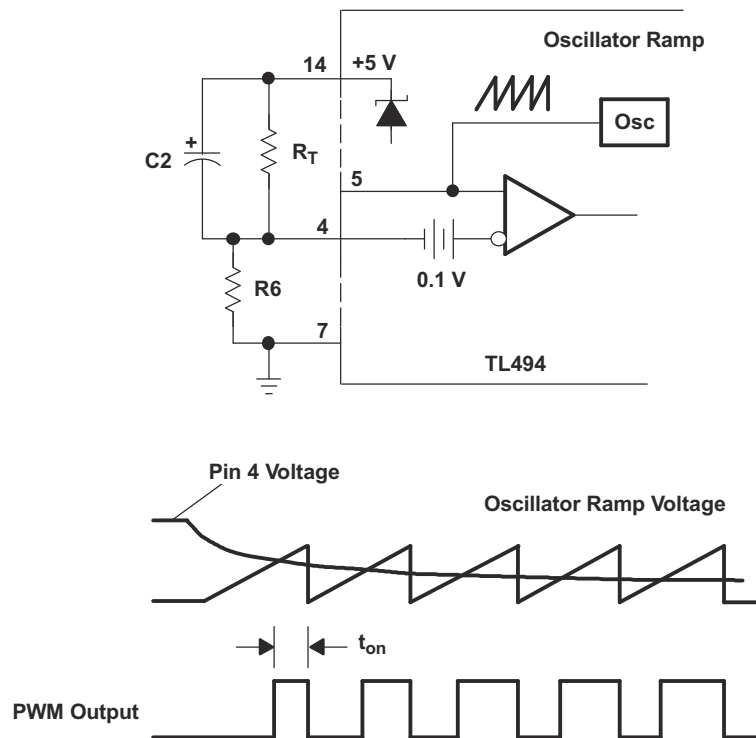


Figure 10-5. Soft-Start Circuit

The soft-start circuit allows the pulse width at the output to increase slowly (see [Figure 10-5](#)) by applying a negative slope waveform to the dead-time control input (pin 4).

Initially, capacitor C2 forces the dead-time control input to follow the 5-V regulator, which disables the outputs (100% dead time). As the capacitor charges through R6, the output pulse width slowly increases until the control loop takes command. With a resistor ratio of 1:10 for R6 and R7, the voltage at pin 4 after start-up is 0.1×5 V, or 0.5 V.

The soft-start time generally is in the range of 25 to 100 clock cycles. If 50 clock cycles at a 20-kHz switching rate is selected, the soft-start time is:

$$t = \frac{1}{f} = \frac{1}{20\text{kHz}} = 50\ \mu\text{s per clock cycle} \quad (12)$$

The value of the capacitor then is determined by:

$$C2 = \frac{\text{soft - start time}}{R6} = \frac{50\ \mu\text{s} \times 50\ \text{cycles}}{1\ \text{k}\Omega} = 2.5\ \mu\text{F} \quad (13)$$

This helps eliminate any false signals that might be created by the control circuit as power is applied.

10.2.2.3 Inductor Calculations

The switching circuit used is shown in Figure 39.

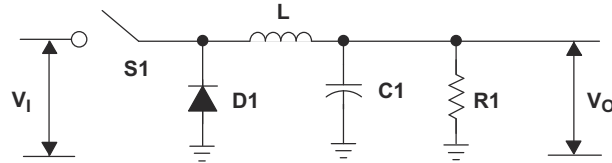


Figure 10-6. Switching Circuit

The size of the inductor (L) required is:

$$\begin{aligned}
 d &= \text{duty cycle} = V_O/V_1 = 5 \text{ V}/32 \text{ V} = 0.156 \\
 f &= 20 \text{ kHz (design objective)} \\
 t_{\text{on}} &= \text{time on (S1 closed)} = (1/f) \times d = 7.8 \mu\text{s} \\
 t_{\text{off}} &= \text{time off (S1 open)} = (1/f) - t_{\text{on}} = 42.2 \mu\text{s} \\
 L &\neq (V_1 - V_O) \times t_{\text{on}}/\Delta I_L \\
 &\neq [(32 \text{ V} - 5 \text{ V}) \times 7.8 \mu\text{s}]/1.5 \text{ A} \\
 &\neq 140.4 \mu\text{H}
 \end{aligned}$$

10.2.2.4 Output Capacitance Calculations

Once the filter inductor has been calculated, the value of the output filter capacitor is calculated to meet the output ripple requirements. An electrolytic capacitor can be modeled as a series connection of an inductance, a resistance, and a capacitance. To provide good filtering, the ripple frequency must be far below the frequencies at which the series inductance becomes important. So, the two components of interest are the capacitance and the effective series resistance (ESR). The maximum ESR is calculated according to the relation between the specified peak-to-peak ripple voltage and the peak-to-peak ripple current.

$$\text{ESR}(\text{max}) = \frac{\Delta V_{O(\text{ripple})}}{\Delta I_L} = \frac{V}{1.5 \text{ A}} \approx 0.067 \Omega \quad (14)$$

The minimum capacitance of C3 necessary to maintain the V_O ripple voltage at less than the 100-mV design objective is calculated according to Equation 15:

$$C3 = \frac{\Delta I_L}{8f \Delta V_O} = \frac{1.5 \text{ A}}{8 \times 20 \times 10^3 \times 0.1 \text{ V}} = 94 \mu\text{F} \quad (15)$$

A 220-mF, 60-V capacitor is selected because it has a maximum ESR of 0.074 Ω and a maximum ripple current of 2.8 A.

10.2.2.5 Transistor Power-Switch Calculations

The transistor power switch was constructed with an NTE153 pnp drive transistor and an NTE331 npn output transistor. These two power devices were connected in a pnp hybrid Darlington circuit configuration (see Figure 10-7).

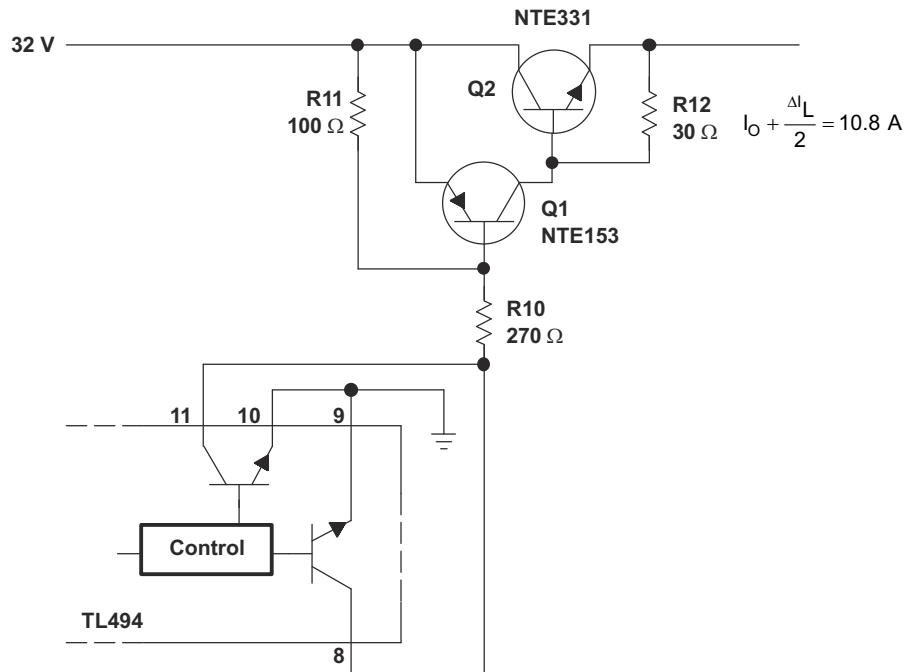


Figure 10-7. Power-Switch Section

The hybrid Darlington circuit must be saturated at a maximum output current of $I_o + \Delta I_L/2$ or 10.8 A. The Darlington h_{FE} at 10.8 A must be high enough not to exceed the 250-mA maximum output collector current of the TL494. Based on published NTE153 and NTE331 specifications, the required power-switch minimum drive was calculated by Equation 16 through Equation 18 to be 144 mA:

$$h_{FE}(Q1) \text{ at } I_C \text{ of } 3 \text{ A} = 15 \quad (16)$$

$$h_{FE}(Q2) \text{ at } I_C \text{ of } 10.0 \text{ A} = 5 \quad (17)$$

$$i_B \geq \frac{I_o + \frac{I_L}{2}}{h_{FE}(Q2) \times h_{FE}(Q1)} \geq 144 \text{ mA} \quad (18)$$

The value of R10 was calculated by:

$$R10 \leq \frac{V_I - [V_{BE}(Q1) + V_{CE}(TL494)]}{i_B} = \frac{32 - (1.5 + 0.7)}{0.144}$$

$$R10 \leq 207 \Omega \quad (19)$$

Based on these calculations, the nearest standard resistor value of 220 Ω was selected for R10. Resistors R11 and R12 permit the discharge of carriers in switching transistors when they are turned off.

The power supply described demonstrates the flexibility of the TL494 PWM control circuit. This power-supply design demonstrates many of the power-supply control methods provided by the TL494, as well as the versatility of the control circuit.

10.2.3 Application Curves for Output Characteristics

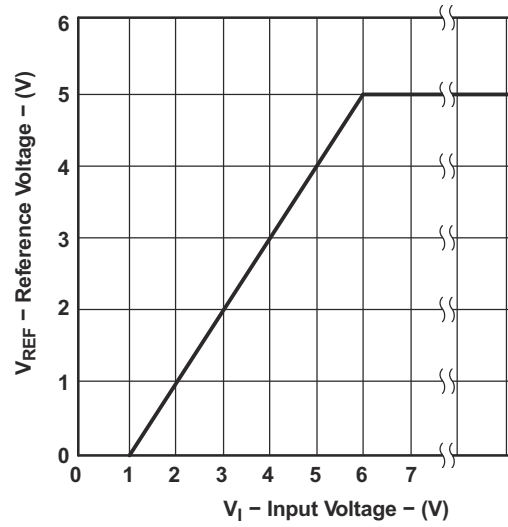


Figure 10-8. Reference Voltage vs Input Voltage

11 Power Supply Recommendations

The TL494 is designed to operate from an input voltage supply range between 7 V and 40 V. This input supply should be well regulated. If the input supply is located more than a few inches from the device, additional bulk capacitance may be required in addition to the ceramic bypass capacitors. A tantalum capacitor with a value of 47 μF is a typical choice, however this may vary depending upon the output power being delivered.

12 Layout

12.1 Layout Guidelines

Always try to use a low EMI inductor with a ferrite type closed core. Some examples would be toroid and encased E core inductors. Open core can be used if they have low EMI characteristics and are located a bit more away from the low power traces and components. Make the poles perpendicular to the PCB as well if using an open core. Stick cores usually emit the most unwanted noise.

12.1.1 Feedback Traces

Try to run the feedback trace as far from the inductor and noisy power traces as possible. You would also like the feedback trace to be as direct as possible and somewhat thick. These two sometimes involve a trade-off, but keeping it away from inductor EMI and other noise sources is the more critical of the two. Run the feedback trace on the side of the PCB opposite of the inductor with a ground plane separating the two.

12.1.2 Input/Output Capacitors

When using a low value ceramic input filter capacitor, it should be located as close to the VCC pin of the IC as possible. This will eliminate as much trace inductance effects as possible and give the internal IC rail a cleaner voltage supply. Some designs require the use of a feed-forward capacitor connected from the output to the feedback pin as well, usually for stability reasons. In this case it should also be positioned as close to the IC as possible. Using surface mount capacitors also reduces lead length and lessens the chance of noise coupling into the effective antenna created by through-hole components.

12.1.3 Compensation Components

External compensation components for stability should also be placed close to the IC. Surface mount components are recommended here as well for the same reasons discussed for the filter capacitors. These should not be located very close to the inductor either.

12.1.4 Traces and Ground Planes

- Make all of the power (high current) traces as short, direct, and thick as possible. It is good practice on a standard PCB board to make the traces an absolute minimum of 15 mils (0.381 mm) per Ampere.
- The inductor, output capacitors, and output diode should be as close to each other possible. This helps reduce the EMI radiated by the power traces due to the high switching currents through them. This will also reduce lead inductance and resistance as well, which in turn reduces noise spikes, ringing, and resistive losses that produce voltage errors.
- The grounds of the IC, input capacitors, output capacitors, and output diode (if applicable) should be connected close together directly to a ground plane. It would also be a good idea to have a ground plane on both sides of the PCB. This will reduce noise as well by reducing ground loop errors as well as by absorbing more of the EMI radiated by the inductor.
- For multi-layer boards with more than two layers, a ground plane can be used to separate the power plane (where the power traces and components are) and the signal plane (where the feedback and compensation and components are) for improved performance.
- On multi-layer boards the use of vias will be required to connect traces and different planes.
- It is good practice to use one standard via per 200 mA of current if the trace will need to conduct a significant amount of current from one plane to the other.
- Arrange the components so that the switching current loops curl in the same direction. Due to the way switching regulators operate, there are two power states. One state when the switch is on and one when the switch is off. During each state there will be a current loop made by the power components that are currently conducting. Place the power components so that during each of the two states the current loop is conducting

in the same direction. This prevents magnetic field reversal caused by the traces between the two half-cycles and reduces radiated EMI.

12.2 Layout Example

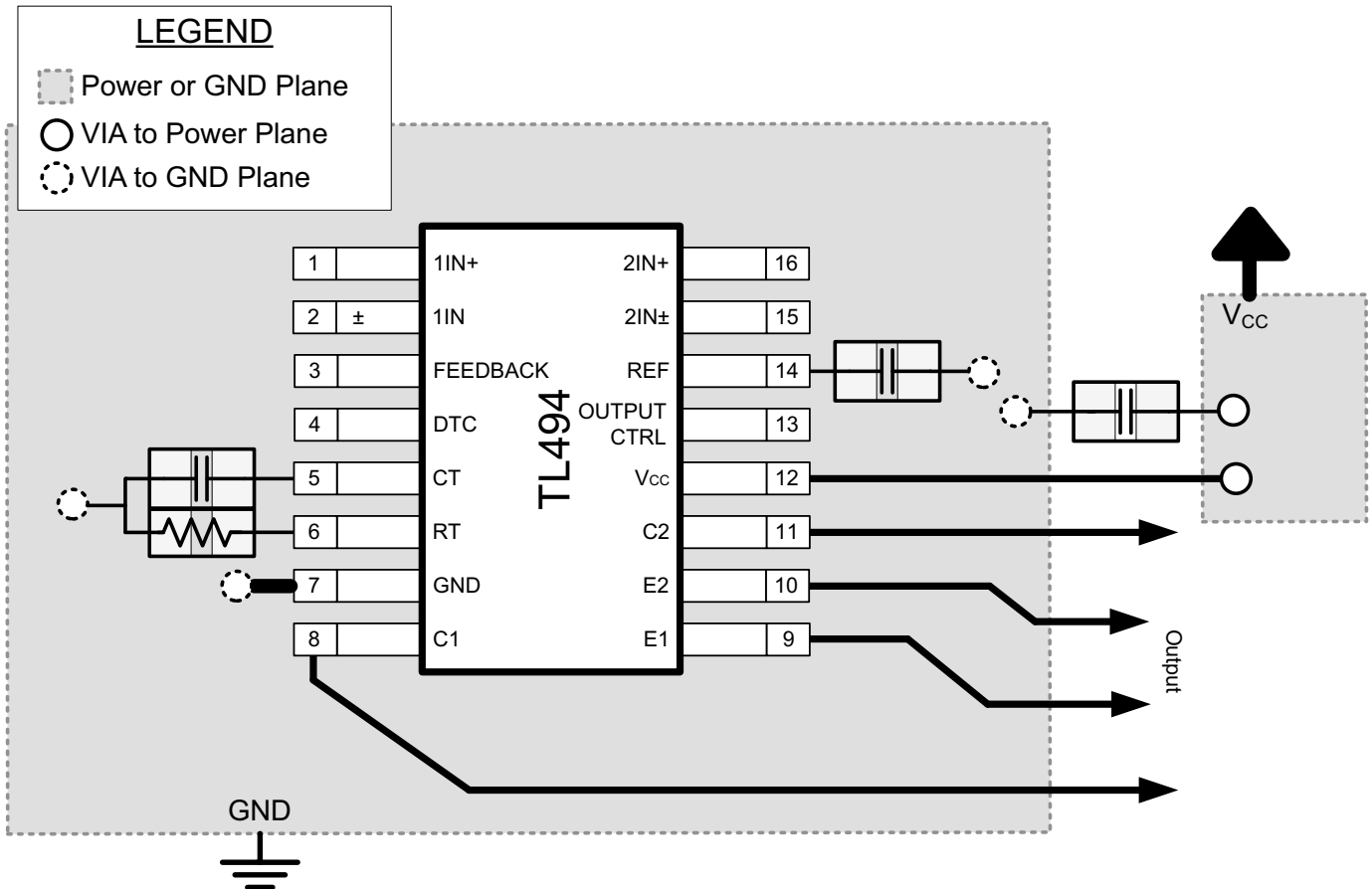


Figure 12-1. Operational Amplifier Board Layout for Noninverting Configuration

13 Device and Documentation Support

13.1 Trademarks

All trademarks are the property of their respective owners.

13.2 Electrostatic Discharge Caution



This integrated circuit can be damaged by ESD. Texas Instruments recommends that all integrated circuits be handled with appropriate precautions. Failure to observe proper handling and installation procedures can cause damage.

ESD damage can range from subtle performance degradation to complete device failure. Precision integrated circuits may be more susceptible to damage because very small parametric changes could cause the device not to meet its published specifications.

13.3 Glossary

TI Glossary

This glossary lists and explains terms, acronyms, and definitions.

14 Mechanical, Packaging, and Orderable Information

The following pages include mechanical packaging and orderable information. This information is the most current data available for the designated devices. This data is subject to change without notice and revision of this document. For browser based versions of this data sheet, refer to the left hand navigation.

PACKAGING INFORMATION

| Orderable part number | Status (1) | Material type (2) | Package Pins | Package qty Carrier | RoHS (3) | Lead finish/ Ball material (4) | MSL rating/ Peak reflow (5) | Op temp (°C) | Part marking (6) |
|----------------------------|------------|-------------------|-----------------|-----------------------|----------|-----------------------------------|--------------------------------|--------------|------------------|
| TL494CD | Obsolete | Production | SOIC (D) 16 | - | - | Call TI | Call TI | 0 to 70 | TL494C |
| TL494CDR | Active | Production | SOIC (D) 16 | 2500 LARGE T&R | Yes | NIPDAU SN | Level-1-260C-UNLIM | 0 to 70 | TL494C |
| TL494CDRG4 | Obsolete | Production | SOIC (D) 16 | - | - | Call TI | Call TI | 0 to 70 | TL494C |
| TL494CN | Active | Production | PDIP (N) 16 | 25 TUBE | Yes | NIPDAU | N/A for Pkg Type | 0 to 70 | TL494CN |
| TL494CNE4 | Active | Production | PDIP (N) 16 | 25 TUBE | Yes | NIPDAU | N/A for Pkg Type | 0 to 70 | TL494CN |
| TL494CNSR | Active | Production | SOP (NS) 16 | 2000 LARGE T&R | Yes | NIPDAU | Level-1-260C-UNLIM | 0 to 70 | TL494 |
| TL494CNSRG4 | Active | Production | SOP (NS) 16 | 2000 LARGE T&R | Yes | NIPDAU | Level-1-260C-UNLIM | 0 to 70 | TL494 |
| TL494CPW | Obsolete | Production | TSSOP (PW) 16 | - | - | Call TI | Call TI | 0 to 70 | T494 |
| TL494CPWR | Active | Production | TSSOP (PW) 16 | 2000 LARGE T&R | Yes | NIPDAU | Level-1-260C-UNLIM | 0 to 70 | T494 |
| TL494ID | Obsolete | Production | SOIC (D) 16 | - | - | Call TI | Call TI | -40 to 85 | TL494I |
| TL494IDR | Active | Production | SOIC (D) 16 | 2500 LARGE T&R | Yes | NIPDAU SN | Level-1-260C-UNLIM | -40 to 85 | TL494I |
| TL494IDRG4 | Obsolete | Production | SOIC (D) 16 | - | - | Call TI | Call TI | -40 to 85 | TL494I |
| TL494IN | Active | Production | PDIP (N) 16 | 25 TUBE | Yes | NIPDAU | N/A for Pkg Type | -40 to 85 | TL494IN |

(1) **Status:** For more details on status, see our [product life cycle](#).

(2) **Material type:** When designated, preproduction parts are prototypes/experimental devices, and are not yet approved or released for full production. Testing and final process, including without limitation quality assurance, reliability performance testing, and/or process qualification, may not yet be complete, and this item is subject to further changes or possible discontinuation. If available for ordering, purchases will be subject to an additional waiver at checkout, and are intended for early internal evaluation purposes only. These items are sold without warranties of any kind.

(3) **RoHS values:** Yes, No, RoHS Exempt. See the [TI RoHS Statement](#) for additional information and value definition.

(4) **Lead finish/Ball material:** Parts may have multiple material finish options. Finish options are separated by a vertical ruled line. Lead finish/Ball material values may wrap to two lines if the finish value exceeds the maximum column width.

(5) **MSL rating/Peak reflow:** The moisture sensitivity level ratings and peak solder (reflow) temperatures. In the event that a part has multiple moisture sensitivity ratings, only the lowest level per JEDEC standards is shown. Refer to the shipping label for the actual reflow temperature that will be used to mount the part to the printed circuit board.

(6) **Part marking:** There may be an additional marking, which relates to the logo, the lot trace code information, or the environmental category of the part.

Multiple part markings will be inside parentheses. Only one part marking contained in parentheses and separated by a "~" will appear on a part. If a line is indented then it is a continuation of the previous line and the two combined represent the entire part marking for that device.

Important Information and Disclaimer:The information provided on this page represents TI's knowledge and belief as of the date that it is provided. TI bases its knowledge and belief on information provided by third parties, and makes no representation or warranty as to the accuracy of such information. Efforts are underway to better integrate information from third parties. TI has taken and continues to take reasonable steps to provide representative and accurate information but may not have conducted destructive testing or chemical analysis on incoming materials and chemicals. TI and TI suppliers consider certain information to be proprietary, and thus CAS numbers and other limited information may not be available for release.

In no event shall TI's liability arising out of such information exceed the total purchase price of the TI part(s) at issue in this document sold by TI to Customer on an annual basis.

TAPE AND REEL INFORMATION

QUADRANT ASSIGNMENTS FOR PIN 1 ORIENTATION IN TAPE


*All dimensions are nominal

| Device | Package Type | Package Drawing | Pins | SPQ | Reel Diameter (mm) | Reel Width W1 (mm) | A0 (mm) | B0 (mm) | K0 (mm) | P1 (mm) | W (mm) | Pin1 Quadrant |
|-----------|--------------|-----------------|------|------|--------------------|--------------------|---------|---------|---------|---------|--------|---------------|
| TL494CDR | SOIC | D | 16 | 2500 | 330.0 | 16.4 | 6.5 | 10.3 | 2.1 | 8.0 | 16.0 | Q1 |
| TL494CNSR | SOP | NS | 16 | 2000 | 330.0 | 16.4 | 8.45 | 10.55 | 2.5 | 12.0 | 16.2 | Q1 |
| TL494CPWR | TSSOP | PW | 16 | 2000 | 330.0 | 12.4 | 6.9 | 5.6 | 1.6 | 8.0 | 12.0 | Q1 |
| TL494IDR | SOIC | D | 16 | 2500 | 330.0 | 16.4 | 6.5 | 10.3 | 2.1 | 8.0 | 16.0 | Q1 |

TAPE AND REEL BOX DIMENSIONS



*All dimensions are nominal

| Device | Package Type | Package Drawing | Pins | SPQ | Length (mm) | Width (mm) | Height (mm) |
|-----------|--------------|-----------------|------|------|-------------|------------|-------------|
| TL494CDR | SOIC | D | 16 | 2500 | 353.0 | 353.0 | 32.0 |
| TL494CNSR | SOP | NS | 16 | 2000 | 356.0 | 356.0 | 35.0 |
| TL494CPWR | TSSOP | PW | 16 | 2000 | 356.0 | 356.0 | 35.0 |
| TL494IDR | SOIC | D | 16 | 2500 | 353.0 | 353.0 | 32.0 |

TUBE


*All dimensions are nominal

| Device | Package Name | Package Type | Pins | SPQ | L (mm) | W (mm) | T (μm) | B (mm) |
|-----------|--------------|--------------|------|-----|--------|--------|--------|--------|
| TL494CN | N | PDIP | 16 | 25 | 506 | 13.97 | 11230 | 4.32 |
| TL494CN | N | PDIP | 16 | 25 | 506 | 13.97 | 11230 | 4.32 |
| TL494CNE4 | N | PDIP | 16 | 25 | 506 | 13.97 | 11230 | 4.32 |
| TL494CNE4 | N | PDIP | 16 | 25 | 506 | 13.97 | 11230 | 4.32 |
| TL494IN | N | PDIP | 16 | 25 | 506 | 13.97 | 11230 | 4.32 |
| TL494IN | N | PDIP | 16 | 25 | 506 | 13.97 | 11230 | 4.32 |
| TL494INE4 | N | PDIP | 16 | 25 | 506 | 13.97 | 11230 | 4.32 |
| TL494INE4 | N | PDIP | 16 | 25 | 506 | 13.97 | 11230 | 4.32 |



PACKAGE OUTLINE

NS0016A

SOP - 2.00 mm max height

SOP



NOTES:

1. All linear dimensions are in millimeters. Dimensions in parenthesis are for reference only. Dimensioning and tolerancing per ASME Y14.5M.
2. This drawing is subject to change without notice.
3. This dimension does not include mold flash, protrusions, or gate burrs. Mold flash, protrusions, or gate burrs shall not exceed 0.15 mm, per side.
4. This dimension does not include interlead flash. Interlead flash shall not exceed 0.25 mm, per side.

EXAMPLE BOARD LAYOUT

NS0016A

SOP - 2.00 mm max height

SOP



SOLDER MASK DETAILS

4220735/A 12/2021

NOTES: (continued)

5. Publication IPC-7351 may have alternate designs.

6. Solder mask tolerances between and around signal pads can vary based on board fabrication site.

EXAMPLE STENCIL DESIGN

NS0016A

SOP - 2.00 mm max height

SOP



SOLDER PASTE EXAMPLE
BASED ON 0.125 mm THICK STENCIL
SCALE:7X

4220735/A 12/2021

NOTES: (continued)

7. Laser cutting apertures with trapezoidal walls and rounded corners may offer better paste release. IPC-7525 may have alternate design recommendations.
8. Board assembly site may have different recommendations for stencil design.

D (R-PDSO-G16)

PLASTIC SMALL OUTLINE



- NOTES:
- A. All linear dimensions are in inches (millimeters).
 - B. This drawing is subject to change without notice.
 - C. Body length does not include mold flash, protrusions, or gate burrs. Mold flash, protrusions, or gate burrs shall not exceed 0.006 (0,15) each side.
 - D. Body width does not include interlead flash. Interlead flash shall not exceed 0.017 (0,43) each side.
 - E. Reference JEDEC MS-012 variation AC.



4220204/A 02/2017

NOTES:

1. All linear dimensions are in millimeters. Any dimensions in parenthesis are for reference only. Dimensioning and tolerancing per ASME Y14.5M.
2. This drawing is subject to change without notice.
3. This dimension does not include mold flash, protrusions, or gate burrs. Mold flash, protrusions, or gate burrs shall not exceed 0.15 mm per side.
4. This dimension does not include interlead flash. Interlead flash shall not exceed 0.25 mm per side.
5. Reference JEDEC registration MO-153.

EXAMPLE BOARD LAYOUT

PW0016A

TSSOP - 1.2 mm max height

SMALL OUTLINE PACKAGE



LAND PATTERN EXAMPLE
EXPOSED METAL SHOWN
SCALE: 10X



SOLDER MASK DETAILS

4220204/A 02/2017

NOTES: (continued)

- 6. Publication IPC-7351 may have alternate designs.
- 7. Solder mask tolerances between and around signal pads can vary based on board fabrication site.

EXAMPLE STENCIL DESIGN

PW0016A

TSSOP - 1.2 mm max height

SMALL OUTLINE PACKAGE



SOLDER PASTE EXAMPLE
BASED ON 0.125 mm THICK STENCIL
SCALE: 10X

4220204/A 02/2017

NOTES: (continued)

8. Laser cutting apertures with trapezoidal walls and rounded corners may offer better paste release. IPC-7525 may have alternate design recommendations.
9. Board assembly site may have different recommendations for stencil design.

MECHANICAL DATA

NS (R-PDSO-G**)

PLASTIC SMALL-OUTLINE PACKAGE

14-PINS SHOWN



- NOTES:
- A. All linear dimensions are in millimeters.
 - B. This drawing is subject to change without notice.
 - C. Body dimensions do not include mold flash or protrusion, not to exceed 0,15.

N (R-PDIP-T**)

PLASTIC DUAL-IN-LINE PACKAGE

16 PINS SHOWN



- NOTES:
- A. All linear dimensions are in inches (millimeters).
 - B. This drawing is subject to change without notice.
 - Falls within JEDEC MS-001, except 18 and 20 pin minimum body length (Dim A).
 - The 20 pin end lead shoulder width is a vendor option, either half or full width.

IMPORTANT NOTICE AND DISCLAIMER

TI PROVIDES TECHNICAL AND RELIABILITY DATA (INCLUDING DATA SHEETS), DESIGN RESOURCES (INCLUDING REFERENCE DESIGNS), APPLICATION OR OTHER DESIGN ADVICE, WEB TOOLS, SAFETY INFORMATION, AND OTHER RESOURCES "AS IS" AND WITH ALL FAULTS, AND DISCLAIMS ALL WARRANTIES, EXPRESS AND IMPLIED, INCLUDING WITHOUT LIMITATION ANY IMPLIED WARRANTIES OF MERCHANTABILITY, FITNESS FOR A PARTICULAR PURPOSE OR NON-INFRINGEMENT OF THIRD PARTY INTELLECTUAL PROPERTY RIGHTS.

These resources are intended for skilled developers designing with TI products. You are solely responsible for (1) selecting the appropriate TI products for your application, (2) designing, validating and testing your application, and (3) ensuring your application meets applicable standards, and any other safety, security, regulatory or other requirements.

These resources are subject to change without notice. TI grants you permission to use these resources only for development of an application that uses the TI products described in the resource. Other reproduction and display of these resources is prohibited. No license is granted to any other TI intellectual property right or to any third party intellectual property right. TI disclaims responsibility for, and you will fully indemnify TI and its representatives against, any claims, damages, costs, losses, and liabilities arising out of your use of these resources.

TI's products are provided subject to [TI's Terms of Sale](#) or other applicable terms available either on [ti.com](https://www.ti.com) or provided in conjunction with such TI products. TI's provision of these resources does not expand or otherwise alter TI's applicable warranties or warranty disclaimers for TI products.

TI objects to and rejects any additional or different terms you may have proposed.

Mailing Address: Texas Instruments, Post Office Box 655303, Dallas, Texas 75265
Copyright © 2025, Texas Instruments Incorporated