

TLC193, TLC393 DUAL MICROPOWER LinCMOS™ VOLTAGE COMPARATOR

SLCS115E – DECEMBER 1986 – REVISED JULY 2003

- Very Low Power . . . 110 μ W Typ at 5 V
- Fast Response Time . . . $t_{PLH} = 2.5 \mu$ s Typ With 5-mV Overdrive
- Single Supply Operation:
 - TLC393C . . . 3 V to 16 V
 - TLC393I . . . 3 V to 16 V
 - TLC393Q . . . 4 V to 16 V
 - TLC393M . . . 4 V to 16 V
 - TLC193M . . . 4 V to 16 V
- On-Chip ESD Protection

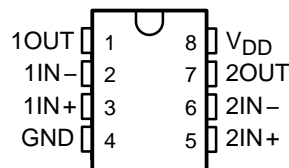
description

The TLC193 and TLC393 consist of dual independent micropower voltage comparators designed to operate from a single supply. They are functionally similar to the LM393 but uses one-twentieth the power for similar response times. The open-drain MOS output stage interfaces to a variety of loads and supplies. For a similar device with a push-pull output configuration (see the TLC3702 data sheet).

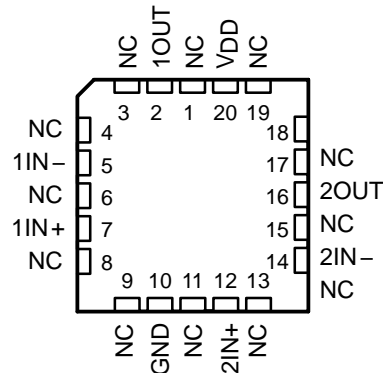
Texas Instruments LinCMOS™ process offers superior analog performance to standard CMOS processes. Along with the standard CMOS advantages of low power without sacrificing speed, high input impedance, and low bias currents, the LinCMOS™ process offers extremely stable input offset voltages, even with differential input stresses of several volts. This characteristic makes it possible to build reliable CMOS comparators.

The TLC393C is characterized for operation over the commercial temperature range of $T_A = 0^\circ\text{C}$ to 70°C . The TLC393I is characterized for operation over the extended industrial temperature range of $T_A = -40^\circ\text{C}$ to 85°C . The TLC393Q is characterized for operation over the full automotive temperature range of $T_A = -40^\circ\text{C}$ to 125°C . The TLC193M and TLC393M are characterized for operation over the full military temperature range of $T_A = -55^\circ\text{C}$ to 125°C .

D, JG, P, OR PW PACKAGE
(TOP VIEW)

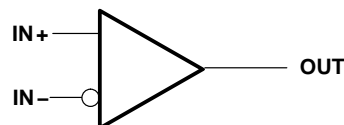


FK PACKAGE
(TOP VIEW)



NC – No internal connection

symbol (each comparator)



Please be aware that an important notice concerning availability, standard warranty, and use in critical applications of Texas Instruments semiconductor products and disclaimers thereto appears at the end of this data sheet.

LinCMOS is a trademark of Texas Instruments Incorporated. All other trademarks are the property of their respective owners.

PRODUCTION DATA information is current as of publication date. Products conform to specifications per the terms of Texas Instruments standard warranty. Production processing does not necessarily include testing of all parameters.

 **TEXAS
INSTRUMENTS**

POST OFFICE BOX 655303 • DALLAS, TEXAS 75265
POST OFFICE BOX 1443 • HOUSTON, TEXAS 77251-1443

Copyright © 1986-2003, Texas Instruments Incorporated

TLC193, TLC393

DUAL MICROWPOWER LinCMOS™ VOLTAGE COMPARATOR

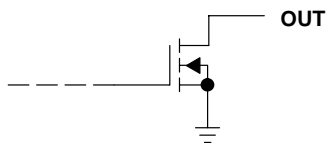
SLCS115D – DECEMBER 1986 – REVISED JULY 2003

AVAILABLE OPTIONS

| T _A | V _{IOmax} at 25°C | PACKAGES | | | | |
|-----------------|-------------------------------|----------------------|----------------------|---------------------|--------------------|---------------|
| | | SMALL OUTLINE (D) | CHIP CARRIER (FK) | CERAMIC DIP (JG) | PLASTIC DIP (P) | TSSOP (PW) |
| 0°C to 70°C | 5 mV | TLC393CD | — | — | TLC393CP | TLC393CPWLE |
| – 40°C to 85°C | 5 mV | TLC393ID | — | — | TLC393IP | TLC393IPWLE |
| – 40°C to 125°C | 5 mV | TLC393QD | — | — | — | — |
| – 55°C to 125°C | 5 mV | TLC393MD | TLC193MFK | TLC193MJG | TLC393MP | — |

The D package is available taped and reeled. Add the suffix R to the device type (e.g., TLC393CDR).

schematic



OPEN-DRAIN CMOS OUTPUT

absolute maximum ratings over operating free-air temperature range (unless otherwise noted)†

| | |
|--|------------------------------|
| Supply voltage range, V _{DD} (see Note 1) | – 0.3 V to 18 V |
| Differential input voltage, V _{ID} (see Note 2) | ±18 V |
| Input voltage range, V _I | – 0.3 V to V _{DD} |
| Output voltage range, V _O | – 0.3 V to 16 V |
| Input current, I _I | ±5 mA |
| Output current, I _O (each output) | 20 mA |
| Total supply current into V _{DD} | 40 mA |
| Total current out of GND | 40 mA |
| Continuous total power dissipation | See Dissipation Rating Table |
| Operating free-air temperature range: | |
| TLC393C | 0°C to 70°C |
| TLC393I | – 40°C to 85°C |
| TLC393Q | – 40°C to 125°C |
| TLC393M | – 55°C to 125°C |
| TLC193M | – 55°C to 125°C |
| Storage temperature range | – 65°C to 150°C |
| Case temperature for 60 seconds: FK package | 260°C |
| Lead temperature 1,6 mm (1/16 inch) from case for 10 seconds: D or P package | 260°C |
| Lead temperature 1,6 mm (1/16 inch) from case for 60 seconds: JG package | 300°C |

† Stresses beyond those listed under “absolute maximum ratings” may cause permanent damage to the device. These are stress ratings only, and functional operation of the device at these or any other conditions beyond those indicated under “recommended operating conditions” is not implied. Exposure to absolute-maximum-rated conditions for extended periods may affect device reliability.

- NOTES: 1. All voltage values, except differential voltages, are with respect to network ground.
2. Differential voltages are at IN+ with respect to IN–.

DISSIPATION RATING TABLE

| PACKAGE | T _A ≤ 25°C POWER RATING | DERATING FACTOR ABOVE T _A = 25°C | T _A = 70°C POWER RATING | T _A = 85°C POWER RATING | T _A = 125°C POWER RATING |
|---------|---------------------------------------|--|---------------------------------------|---------------------------------------|--|
| D | 725 mW | 5.8 mW/°C | 464 mW | 377 mW | 145 mW |
| FK | 1375 mW | 11.0 mW/°C | 880 mW | 715 mW | 275 mW |
| JG | 1050 mW | 8.4 mW/°C | 672 mW | 546 mW | 210 mW |
| P | 1000 mW | 8.0 mW/°C | 640 mW | 520 mW | — |
| PW | 525 mW | 4.2 mW/°C | 336 mW | 273 mW | — |



TLC193, TLC393

DUAL MICROPPOWER LinCMOS™ VOLTAGE COMPARATOR

SLCS115E – DECEMBER 1986 – REVISED JULY 2003

recommended operating conditions

| | TLC393C | | | UNIT |
|---------------------------------------|---------|-----|----------------|------|
| | MIN | NOM | MAX | |
| Supply voltage, V_{DD} | 3 | 5 | 16 | V |
| Common-mode input voltage, V_{IC} | -0.2 | | $V_{DD} - 1.5$ | V |
| Low-level output current, I_{OL} | | | 20 | mA |
| Operating free-air temperature, T_A | 0 | | 70 | °C |

electrical characteristics at specified operating free-air temperature, $V_{DD} = 5$ V (unless otherwise noted)

| PARAMETER | TEST CONDITIONS† | T_A | TLC393C | | | UNIT |
|--|--|-------------|---------------------|-----|-----|------|
| | | | MIN | TYP | MAX | |
| V_{IO} Input offset voltage | $V_{IC} = V_{ICRmin}$, $V_{DD} = 5$ V to 10 V, See Note 3 | 25°C | | 1.4 | 5 | mV |
| | | 0°C to 70°C | | | 6.5 | |
| I_{IO} Input offset current | $V_{IC} = 2.5$ V | 25°C | | 1 | | pA |
| | | 70°C | | | 0.3 | nA |
| I_{IB} Input bias current | $V_{IC} = 2.5$ V | 25°C | | 5 | | pA |
| | | 70°C | | | 0.6 | nA |
| V_{ICR} Common-mode input voltage range | | 25°C | 0 to $V_{DD} - 1$ | | | V |
| | | 0°C to 70°C | 0 to $V_{DD} - 1.5$ | | | |
| CMMR Common-mode rejection ratio | $V_{IC} = V_{ICRmin}$ | 25°C | 84 | | | dB |
| | | 70°C | 84 | | | |
| | | 0°C | 84 | | | |
| k_{SVR} Supply-voltage rejection ratio | $V_{DD} = 5$ V to 10 V | 25°C | 85 | | | dB |
| | | 70°C | 85 | | | |
| | | 0°C | 85 | | | |
| V_{OL} Low-level output voltage | $V_{ID} = -1$ V, $I_{OL} = 6$ mA | 25°C | | 300 | 400 | mV |
| | | 70°C | | | 650 | |
| I_{OH} High-level output current | $V_{ID} = 1$ V, $V_O = 5$ V | 25°C | | 0.8 | 40 | nA |
| | | 70°C | | | 1 | μA |
| I_{DD} Supply current (both comparators) | Outputs low, No load | 25°C | | 22 | 40 | μA |
| | | 0°C to 70°C | | | 50 | |

† All characteristics are measured with zero common-mode voltage unless otherwise noted.

NOTE 3: The offset voltage limits given are the maximum values required to drive the output up to 4.5 V or down to 0.3 V.



TLC193, TLC393

DUAL MICROWPOWER LinCMOS™ VOLTAGE COMPARATOR

SLCS115D – DECEMBER 1986 – REVISED JULY 2003

recommended operating conditions

| | TLC393I | | | UNIT |
|---------------------------------------|---------|-----|----------------|------|
| | MIN | NOM | MAX | |
| Supply voltage, V_{DD} | 3 | 5 | 16 | V |
| Common-mode input voltage, V_{IC} | -0.2 | | $V_{DD} - 1.5$ | V |
| Low-level output current, I_{OL} | | | 20 | mA |
| Operating free-air temperature, T_A | -40 | | 85 | °C |

electrical characteristics at specified operating free-air temperature, $V_{DD} = 5$ V (unless otherwise noted)

| PARAMETER | TEST CONDITION† | T_A | TLC393I | | | UNIT |
|--|--|---------------|---------------------|-----|-----|------|
| | | | MIN | TYP | MAX | |
| V_{IO} Input offset voltage | $V_{IC} = V_{ICRmin}$, $V_{DD} = 5$ V to 10 V, See Note 3 | 25°C | | 1.4 | 5 | mV |
| | | -40°C to 85°C | | | 7 | |
| I_{IO} Input offset current | $V_{IC} = 2.5$ V | 25°C | | 1 | | pA |
| | | 85°C | | | 1 | nA |
| I_{IB} Input bias current | $V_{IC} = 2.5$ V | 25°C | | 5 | | pA |
| | | 85°C | | | 2 | nA |
| V_{ICR} Common-mode input voltage range | | 25°C | 0 to $V_{DD} - 1$ | | | V |
| | | -40°C to 85°C | 0 to $V_{DD} - 1.5$ | | | |
| CMMR Common-mode rejection ratio | $V_{IC} = V_{ICRmin}$ | 25°C | 84 | | | dB |
| | | 85°C | 84 | | | |
| | | -40°C | 84 | | | |
| k_{SVR} Supply-voltage rejection ratio | $V_{DD} = 5$ V to 10 V | 25°C | 85 | | | dB |
| | | 85°C | 85 | | | |
| | | -40°C | 84 | | | |
| V_{OL} Low-level output voltage | $V_{ID} = -1$ V, $I_{OL} = 6$ mA | 25°C | 300 | 400 | | mV |
| | | 85°C | 700 | | | |
| I_{OH} High-level output current | $V_{ID} = 1$ V, $V_O = 5$ V | 25°C | 0.8 | | 40 | nA |
| | | 85°C | 1 | | | μA |
| I_{DD} Supply current (both comparators) | Outputs low, No load | 25°C | 22 | | 40 | μA |
| | | -40°C to 85°C | 65 | | | |

† All characteristics are measured with zero common-mode voltage unless otherwise noted.

NOTE 3: The offset voltage limits given are the maximum values required to drive the output up to 4.5 V or down to 0.3 V.



TLC193, TLC393

DUAL MICROPPOWER LinCMOS™ VOLTAGE COMPARATOR

SLCS115E – DECEMBER 1986 – REVISED JULY 2003

recommended operating conditions

| | TLC393Q | | | UNIT |
|---------------------------------------|---------|----------------|-----|------|
| | MIN | NOM | MAX | |
| Supply voltage, V_{DD} | 4 | 5 | 16 | V |
| Common-mode input voltage, V_{IC} | 0 | $V_{DD} - 1.5$ | | V |
| Low-level output current, I_{OL} | 20 | | | mA |
| Operating free-air temperature, T_A | -40 | 125 | | °C |

electrical characteristics at specified operating free-air temperature, $V_{DD} = 5$ V (unless otherwise noted)

| PARAMETER | TEST CONDITION† | T_A | TLC393Q | | | UNIT |
|--|--|----------------|---------------------|-----|-----|------|
| | | | MIN | TYP | MAX | |
| V_{IO} Input offset voltage | $V_{IC} = V_{ICRmin}$, $V_{DD} = 5$ V to 10 V, See Note 4 | 25°C | 1.4 | | 5 | mV |
| | | -40°C to 125°C | 10 | | | |
| I_{IO} Input offset current | $V_{IC} = 2.5$ V | 25°C | 1 | | | pA |
| | | 125°C | | | 15 | nA |
| I_{IB} Input bias current | $V_{IC} = 2.5$ V | 25°C | 5 | | | pA |
| | | 125°C | | | 30 | nA |
| V_{ICR} Common-mode input voltage range | | 25°C | 0 to $V_{DD} - 1$ | | | V |
| | | -40°C to 125°C | 0 to $V_{DD} - 1.5$ | | | |
| CMMR Common-mode rejection ratio | $V_{IC} = V_{ICRmin}$ | 25°C | 84 | | | dB |
| | | 125°C | 84 | | | |
| | | -40°C | 84 | | | |
| k_{SVR} Supply-voltage rejection ratio | $V_{DD} = 5$ V to 10 V | 25°C | 85 | | | dB |
| | | 125°C | 84 | | | |
| | | -40°C | 84 | | | |
| V_{OL} Low-level output voltage | $V_{ID} = -1$ V, $I_{OL} = 6$ mA | 25°C | 300 | 400 | | mV |
| | | 125°C | 800 | | | |
| I_{OH} High-level output current | $V_{ID} = 1$ V, $V_O = 5$ V | 25°C | 0.8 | | 40 | nA |
| | | 125°C | | | 1 | μA |
| I_{DD} Supply current (both comparators) | Outputs low, No load | 25°C | 22 | | 40 | μA |
| | | -40°C to 125°C | 90 | | | |

† All characteristics are measured with zero common-mode voltage unless otherwise noted.

NOTE 4: The offset voltage limits given are the maximum values required to drive the output up to 4.5 V or down to 0.3 V (with a 2.5-kΩ load to V_{DD}).



TLC193, TLC393

DUAL MICROWPOWER LinCMOS™ VOLTAGE COMPARATOR

SLCS115D – DECEMBER 1986 – REVISED JULY 2003

recommended operating conditions

| | TLC193M, TLC393M | | | UNIT |
|---------------------------------------|------------------|-----|----------------|------|
| | MIN | NOM | MAX | |
| Supply voltage, V_{DD} | 4 | 5 | 16 | V |
| Common-mode input voltage, V_{IC} | 0 | | $V_{DD} - 1.5$ | V |
| Low-level output current, I_{OL} | | | 20 | mA |
| Operating free-air temperature, T_A | -55 | | 125 | °C |

electrical characteristics at specified operating free-air temperature, $V_{DD} = 5$ V (unless otherwise noted)

| PARAMETER | TEST CONDITIONS† | T_A | TLC193M, TLC393M | | | UNIT |
|--|--|----------------|---------------------|-----|-----|------|
| | | | MIN | TYP | MAX | |
| V_{IO} Input offset voltage | $V_{IC} = V_{ICRmin}$, $V_{DD} = 5$ V to 10 V, See Note 4 | 25°C | | 1.4 | 5 | mV |
| | | -55°C to 125°C | | | 10 | |
| I_{IO} Input offset current | $V_{IC} = 2.5$ V | 25°C | | 1 | | pA |
| | | 125°C | | | 15 | nA |
| I_{IB} Input bias current | $V_{IC} = 2.5$ V | 25°C | | 5 | | pA |
| | | 125°C | | | 30 | nA |
| V_{ICR} Common-mode input voltage range | | 25°C | 0 to $V_{DD} - 1$ | | | V |
| | | -55°C to 125°C | 0 to $V_{DD} - 1.5$ | | | |
| CMMR Common-mode rejection ratio | $V_{IC} = V_{ICRmin}$ | 25°C | 84 | | | dB |
| | | 125°C | 84 | | | |
| | | -55°C | 84 | | | |
| k_{SVR} Supply-voltage rejection ratio | $V_{DD} = 5$ V to 10 V | 25°C | 85 | | | dB |
| | | 125°C | 84 | | | |
| | | -55°C | 84 | | | |
| V_{OL} Low-level output voltage | $V_{ID} = -1$ V, $I_{OL} = 6$ mA | 25°C | 300 | 400 | | mV |
| | | 125°C | 800 | | | |
| I_{OH} High-level output current | $V_{ID} = 1$ V, $V_O = 5$ V | 25°C | 0.8 | | 40 | nA |
| | | 125°C | 1 | | | μA |
| I_{DD} Supply current (both comparators) | Outputs low, No load | 25°C | 22 | | 40 | μA |
| | | -55°C to 125°C | 90 | | | |

† All characteristics are measured with zero common-mode voltage unless otherwise noted.

NOTE 4: The offset voltage limits given are the maximum values required to drive the output up to 4.5 V or down to 0.3 V (with a 2.5-kΩ load to V_{DD}).



TLC193, TLC393 DUAL MICROPOWER LinCMOS™ VOLTAGE COMPARATOR

SLCS115E – DECEMBER 1986 – REVISED JULY 2003

switching characteristics, $V_{DD} = 5\text{ V}$, $T_A = 25^\circ\text{C}$ (see Figure 3)

| PARAMETER | TEST CONDITIONS | TLC393C, TLC393I TLC393Q, TLC193M, TLC393M | | | UNIT |
|--|---|--|------|-----|---------------|
| | | MIN | TYP | MAX | |
| t_{PLH} Propagation delay time, low-to-high-level output | $f = 10\text{ kHz}$, $C_L = 15\text{ pF}$ | Overdrive = 2 mV | 4.5 | | μs |
| | | Overdrive = 5 mV | 2.5 | | |
| | | Overdrive = 10 mV | 1.7 | | |
| | | Overdrive = 20 mV | 1.2 | | |
| | | Overdrive = 40 mV | 1.1 | | |
| t_{PHL} Propagation delay time, high-to-low-level output | $f = 10\text{ kHz}$, $C_L = 15\text{ pF}$ | $V_I = 1.4\text{-V}$ step at IN+ | 1.1 | | μs |
| | | Overdrive = 2 mV | 3.6 | | |
| | | Overdrive = 5 mV | 2.1 | | |
| | | Overdrive = 10 mV | 1.3 | | |
| | | Overdrive = 20 mV | 0.85 | | |
| | | Overdrive = 40 mV | 0.55 | | |
| t_f Fall time, output | $f = 10\text{ kHz}$, $C_L = 15\text{ pF}$ | $V_I = 1.4\text{-V}$ step at IN+ | 0.10 | | ns |
| | | Overdrive = 50 mV | 22 | | |

PARAMETER MEASUREMENT INFORMATION

The TLC393 contains a digital output stage which, if held in the linear region of the transfer curve, can cause damage to the device. Conventional operational amplifier/comparator testing incorporates the use of a servo loop that is designed to force the device output to a level within this linear region. Since the servo-loop method of testing cannot be used, the following alternatives for testing parameters such as input offset voltage, common-mode rejection ratio, etc., are suggested.

To verify that the input offset voltage falls within the limits specified, the limit value is applied to the input as shown in Figure 1(a). With the noninverting input positive with respect to the inverting input, the output should be high. With the input polarity reversed, the output should be low.

A similar test can be made to verify the input offset voltage at the common-mode extremes. The supply voltages can be slewed as shown in Figure 1(b) for the V_{ICR} test, rather than changing the input voltages, to provide greater accuracy.

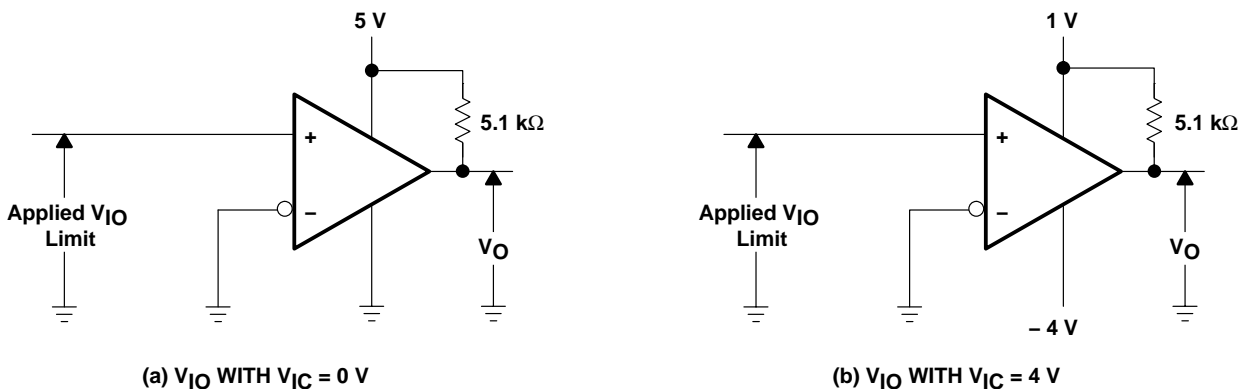


Figure 1. Method for Verifying That Input Offset Voltage Is Within Specified Limits



TLC193, TLC393 DUAL MICROWPOWER LinCMOS™ VOLTAGE COMPARATOR

SLCS115D – DECEMBER 1986 – REVISED JULY 2003

PARAMETER MEASUREMENT INFORMATION

A close approximation of the input offset voltage can be obtained by using a binary search method to vary the differential input voltage while monitoring the output state. When the applied input voltage differential is equal, but opposite in polarity, to the input offset voltage, the output changes states.

Figure 2 illustrates a practical circuit for direct dc measurement of input offset voltage that does not bias the comparator in the linear region. The circuit consists of a switching-mode servo loop in which U1A generates a triangular waveform of approximately 20-mV amplitude. U1B acts as a buffer, with C2 and R4 removing any residual dc offset. The signal is then applied to the inverting input of the comparator under test, while the noninverting input is driven by the output of the integrator formed by U1C through the voltage divider formed by R9 and R10. The loop reaches a stable operating point when the output of the comparator under test has a duty cycle of exactly 50%, which can only occur when the incoming triangle wave is sliced symmetrically or when the voltage at the noninverting input exactly equals the input offset voltage.

The voltage divider formed by R9 and R10 provides an increase in input offset voltage by a factor of 100 to make measurement easier. The values of R5, R8, R9, and R10 can significantly influence the accuracy of the reading; therefore, it is suggested that their tolerance level be 1% or lower.

Measuring the extremely low values of input current requires isolation from all other sources of leakage current and compensation for the leakage of the test socket and board. With a good picoammeter, the socket and board leakage can be measured with no device in the socket. Subsequently, this open-socket leakage value can be subtracted from the measurement obtained with a device in the socket to obtain the actual input current of the device.

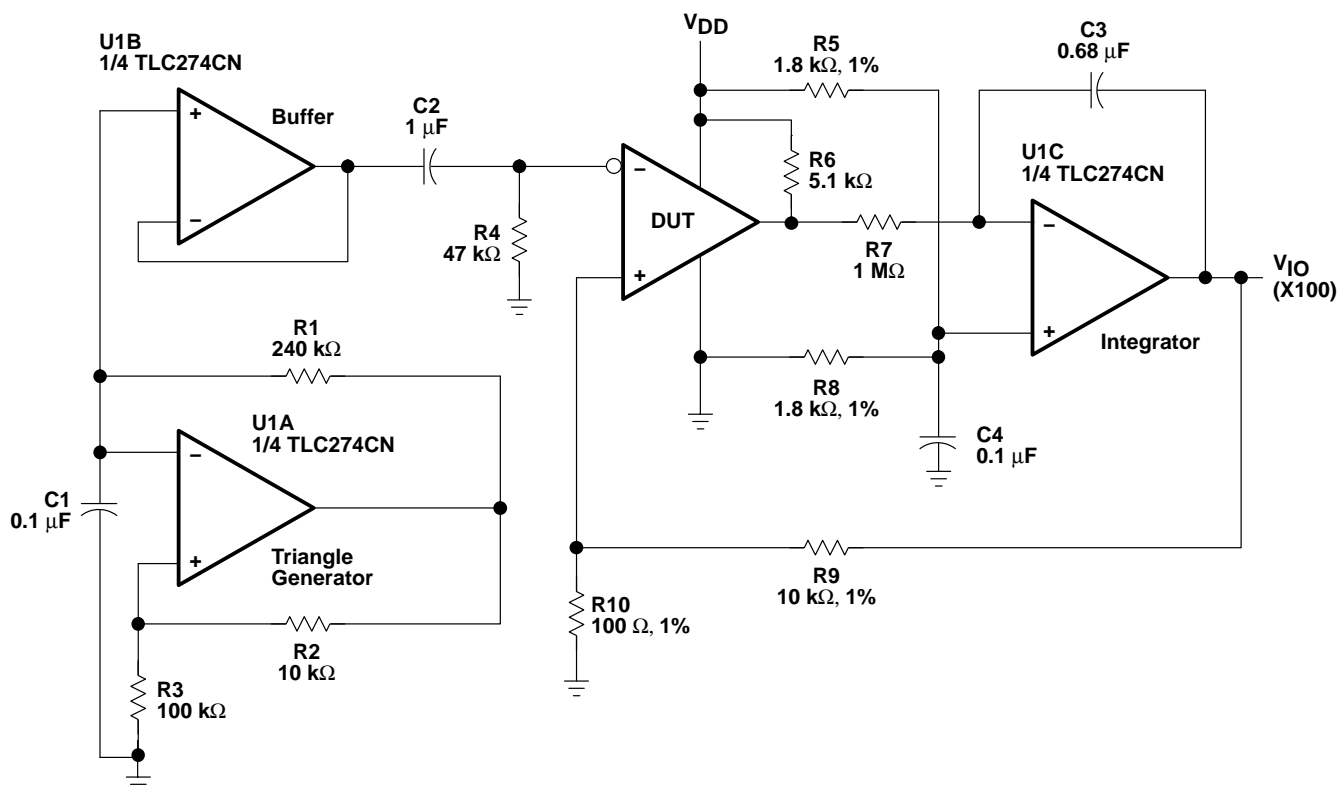
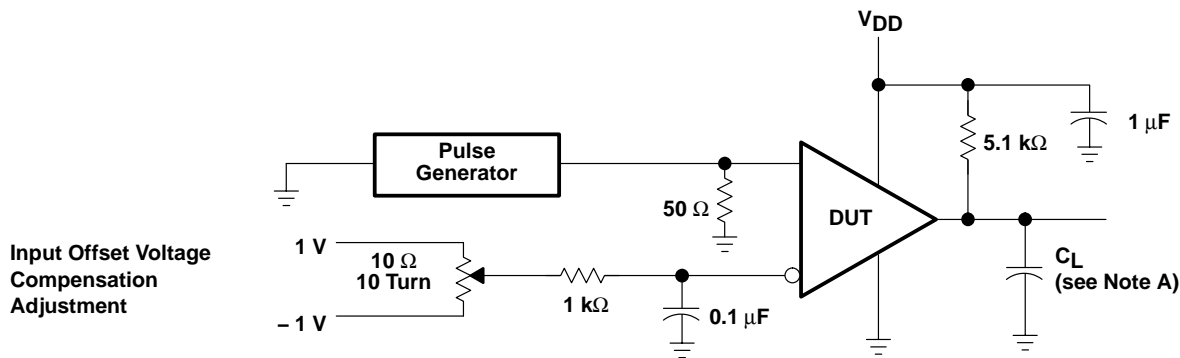


Figure 2. Circuit for Input Offset Voltage Measurement

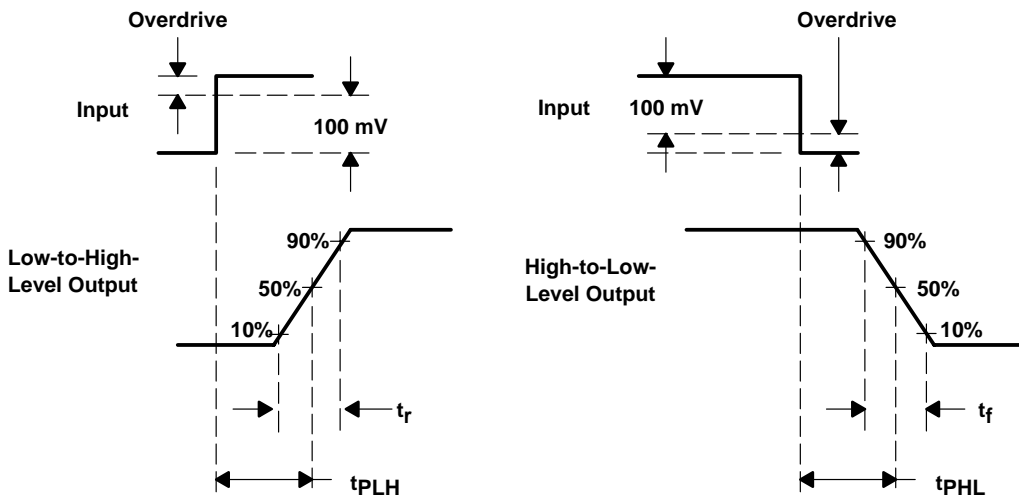


PARAMETER MEASUREMENT INFORMATION

Propagation delay time is defined as the interval between the application of an input step function and the instant when the output reaches 50% of its maximum value. Propagation delay time, low-to-high-level output, is measured from the leading edge of the input pulse, while propagation delay time, high-to-low-level output, is measured from the trailing edge of the input pulse. Propagation delay time measurement at low input signal levels can be greatly affected by the input offset voltage. The offset voltage should be balanced by the adjustment at the inverting input (as shown in Figure 3) so that the circuit is just at the transition point. Then a low signal, for example, 105 mV or 5 mV overdrive, causes the output to change state.



TEST CIRCUIT



VOLTAGE WAVEFORMS

NOTE A: C_L includes probe and jig capacitance.

Figure 3. Propagation Delay, Rise Time, and Fall Time Circuit and Voltage Waveforms

TLC193, TLC393 DUAL MICROWPOWER LinCMOS™ VOLTAGE COMPARATOR

SLCS115D – DECEMBER 1986 – REVISED JULY 2003

TYPICAL CHARACTERISTICS

Table of Graphs

| | | | FIGURE |
|-----------|---|---|--------|
| V_{IO} | Input offset voltage | Distribution | 4 |
| I_{IB} | Input bias current | vs Free-air temperature | 5 |
| CMRR | Common-mode rejection ratio | vs Free-air temperature | 6 |
| k_{SVR} | Supply-voltage rejection ratio | vs Free-air temperature | 7 |
| V_{OL} | Low-level output voltage | vs Low-level output current | 8 |
| | | vs Free-air temperature | 9 |
| I_{OH} | Low-level output current | vs High-level output voltage | 10 |
| | | vs Free-air temperature | 11 |
| I_{DD} | Supply current | vs Supply voltage | 12 |
| | | vs Free-air temperature | 13 |
| t_{PLH} | Low-to-high level output propagation delay time | vs Supply voltage | 14 |
| t_{PHL} | High-to-low level output propagation delay time | vs Supply voltage | 15 |
| | Low-to-high-level output response | Low-to-high level output propagation delay time | 16 |
| | High-to-low level output response | High-to-low level output propagation delay time | 17 |
| t_f | Fall time | vs Supply voltage | 18 |

DISTRIBUTION OF INPUT
OFFSET VOLTAGE†

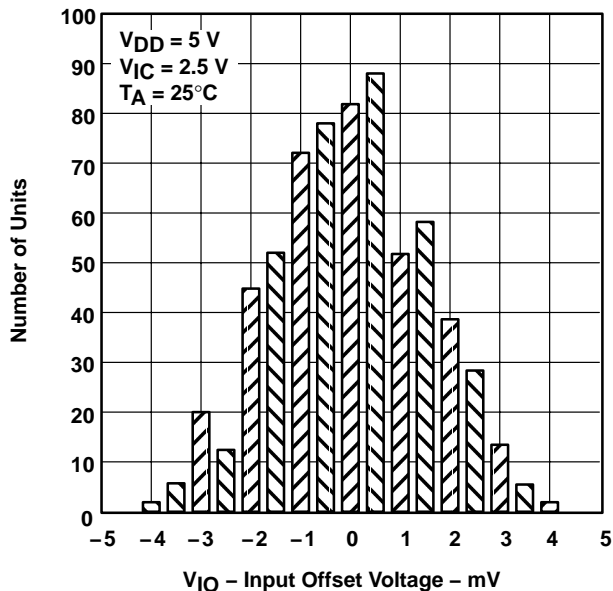


Figure 4

INPUT BIAS CURRENT
VS
FREE-AIR TEMPERATURE†

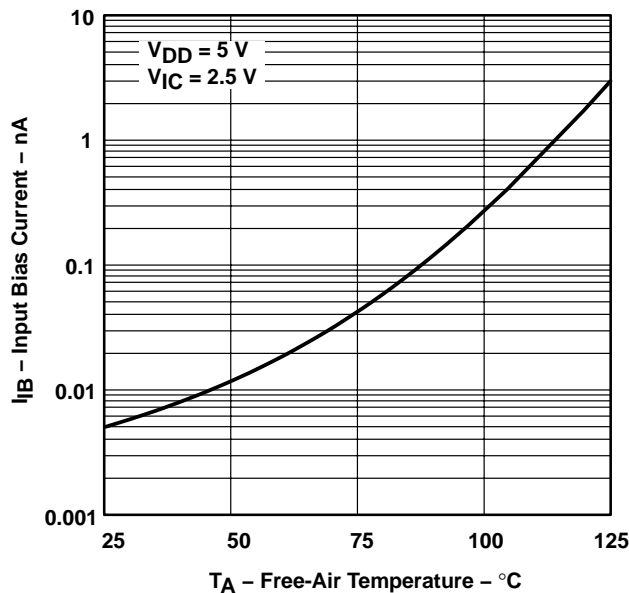


Figure 5

† Data at high and low temperatures are applicable only within the rated operating free-air temperature ranges of the various devices.

TYPICAL CHARACTERISTICS†

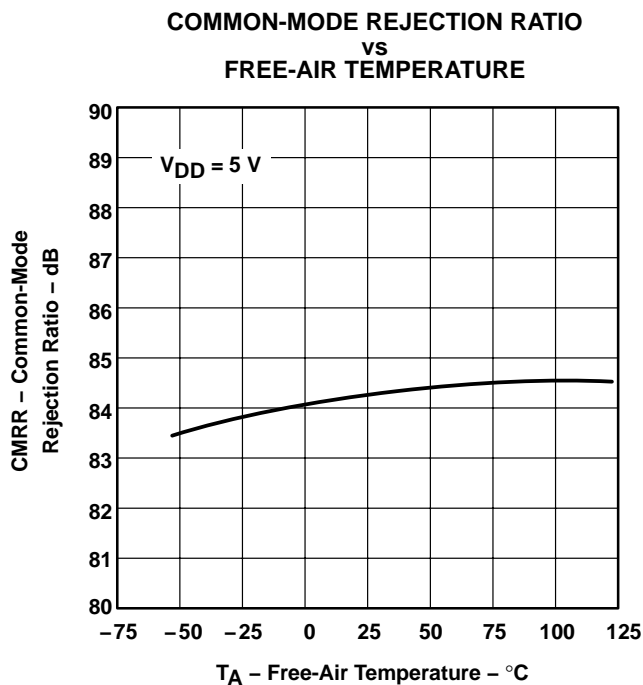


Figure 6

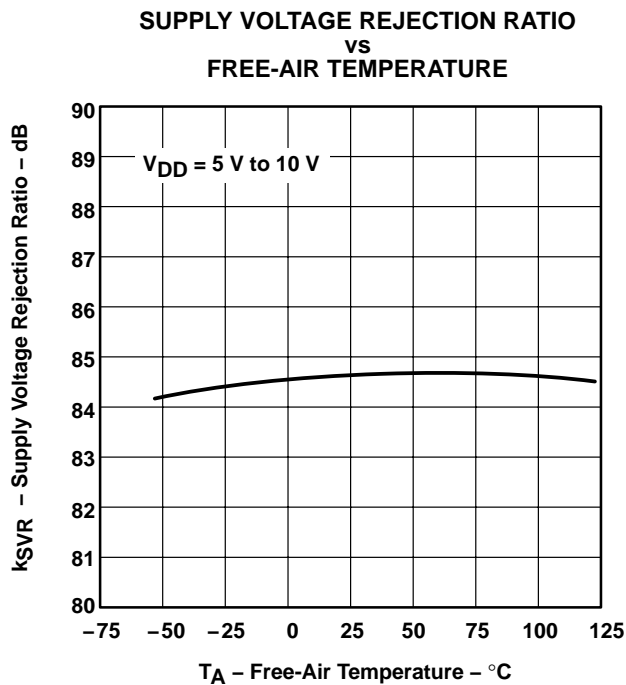


Figure 7

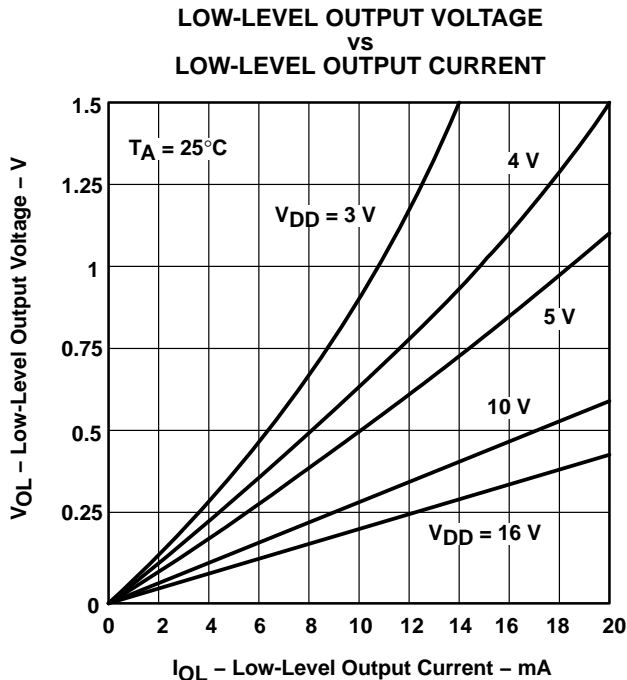


Figure 8

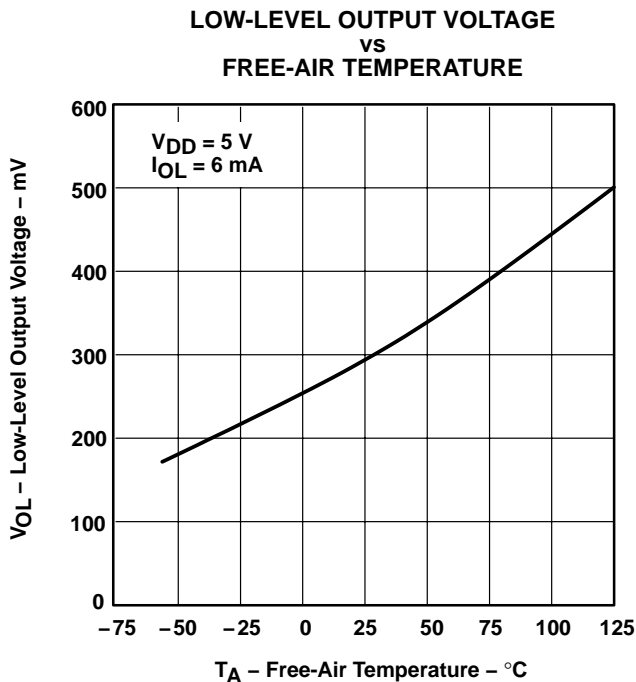


Figure 9

† Data at high and low temperatures are applicable only within the rated operating free-air temperature ranges of the various devices.

TLC193, TLC393 DUAL MICROWPOWER LinCMOS™ VOLTAGE COMPARATOR

SLCS115D – DECEMBER 1986 – REVISED JULY 2003

TYPICAL CHARACTERISTICS†

HIGH-LEVEL OUTPUT CURRENT
vs
HIGH-LEVEL OUTPUT VOLTAGE

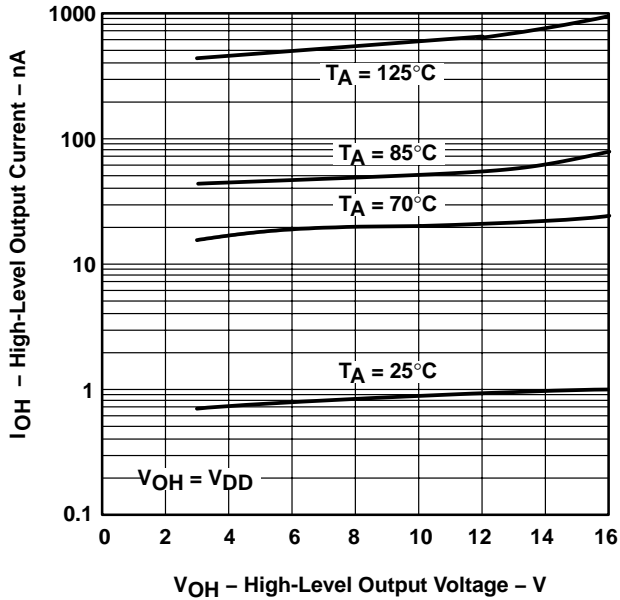


Figure 10

HIGH-LEVEL OUTPUT CURRENT
vs
FREE-AIR TEMPERATURE

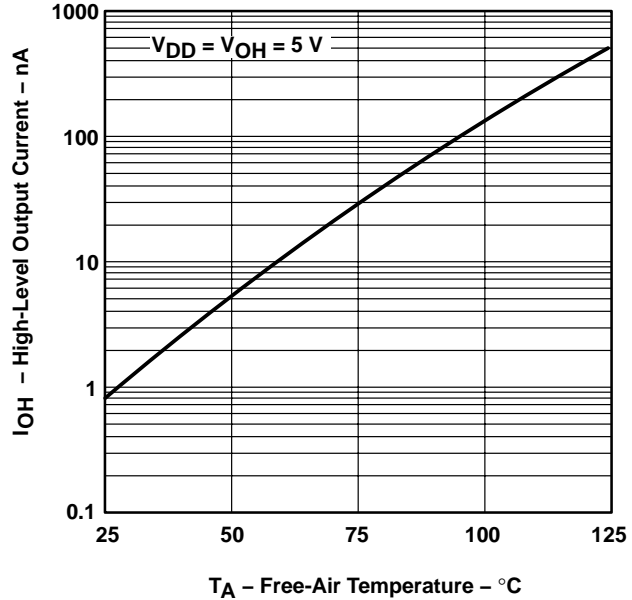


Figure 11

SUPPLY CURRENT
vs
SUPPLY VOLTAGE

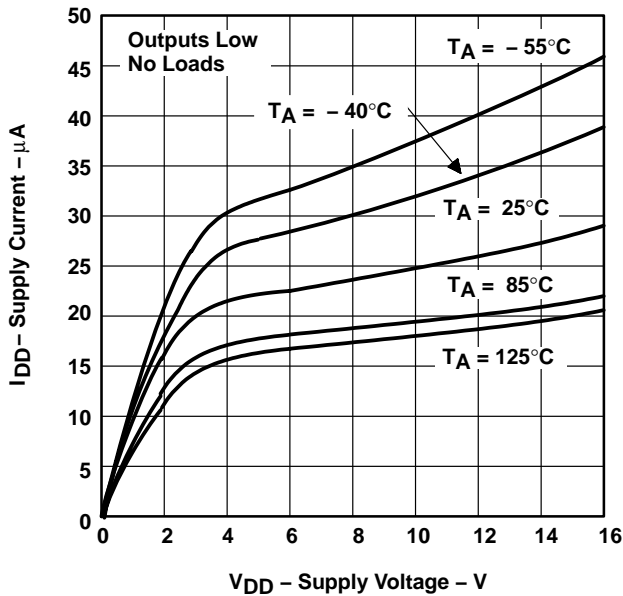


Figure 12

SUPPLY CURRENT
vs
FREE-AIR TEMPERATURE

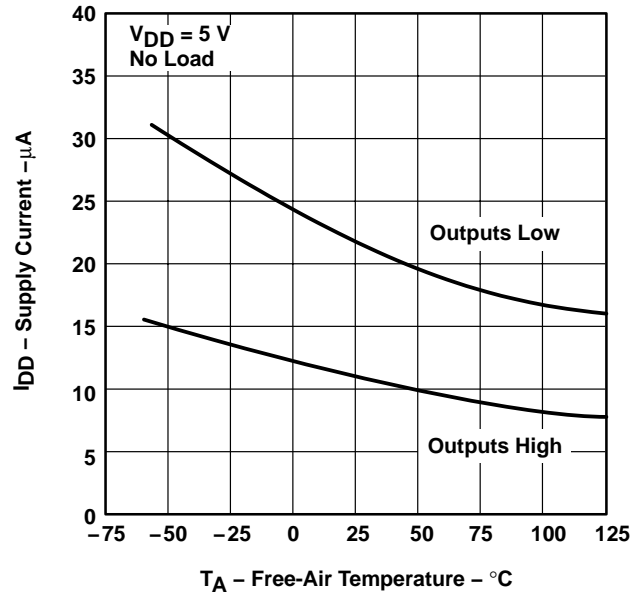
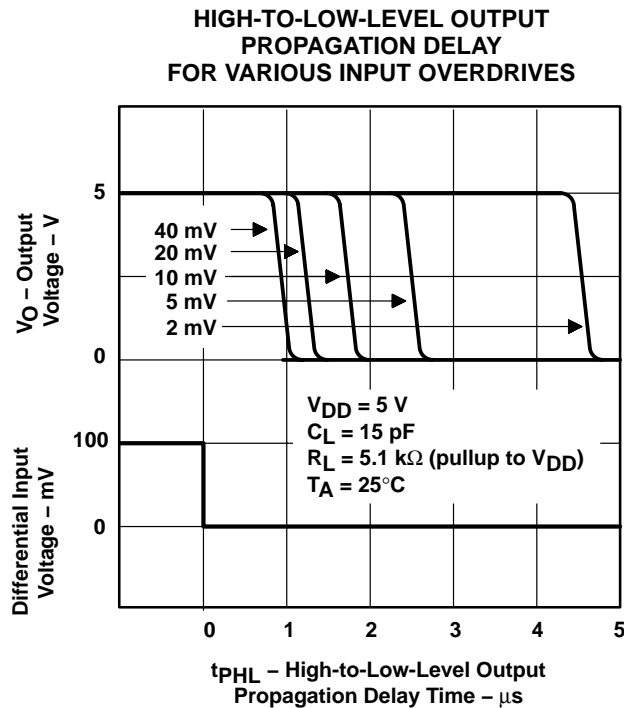
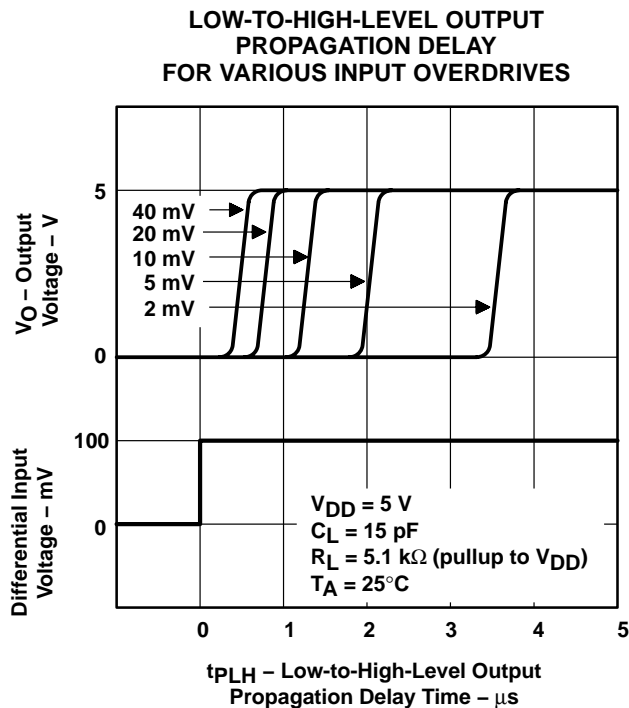
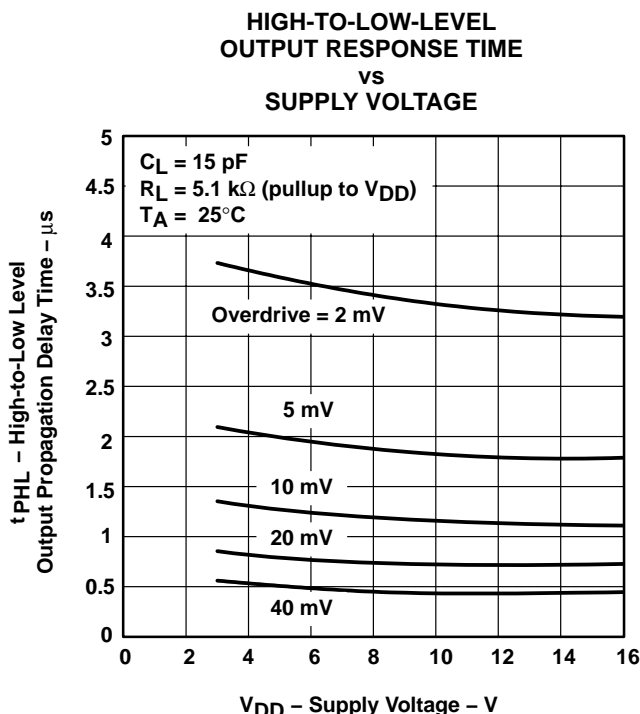
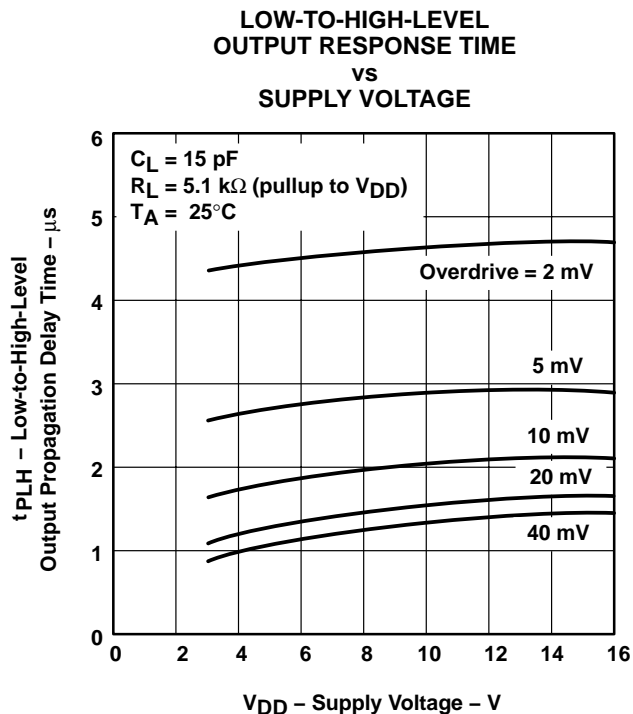


Figure 13

† Data at high and low temperatures are applicable only within the rated operating free-air temperature ranges of the various devices.



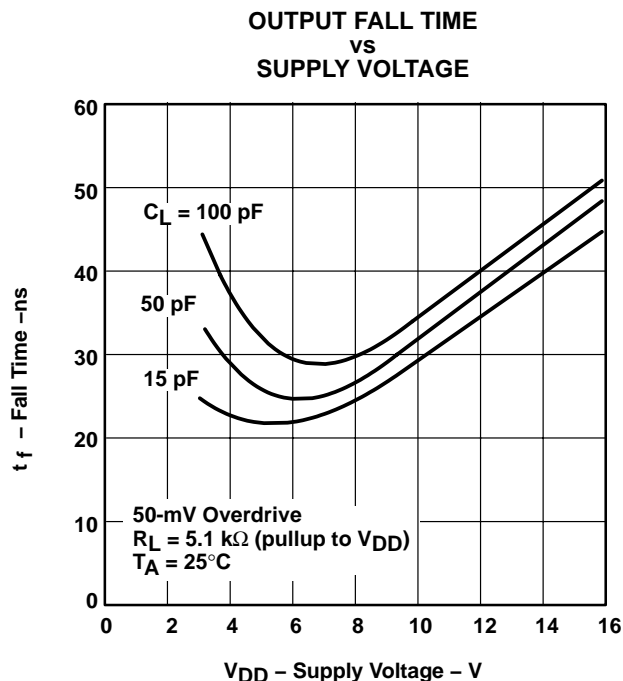
TYPICAL CHARACTERISTICS



TLC193, TLC393 DUAL MICROPOWER LinCMOS™ VOLTAGE COMPARATOR

SLCS115D – DECEMBER 1986 – REVISED JULY 2003

TYPICAL CHARACTERISTICS



APPLICATION INFORMATION

The input should always remain within the supply rails in order to avoid forward biasing the diodes in the electrostatic discharge (ESD) protection structure. If either input exceeds this range, the device will not be damaged as long as the input current is limited to less than 5 mA. To maintain the expected output state, the inputs must remain within the common-mode range. For example, at 25°C with $V_{DD} = 5$ V, both inputs must remain between -0.2 V and 4 V to assure proper device operation.

To assure reliable operation, the supply should be decoupled with a capacitor (0.1- μ F) positioned as close to the device as possible.

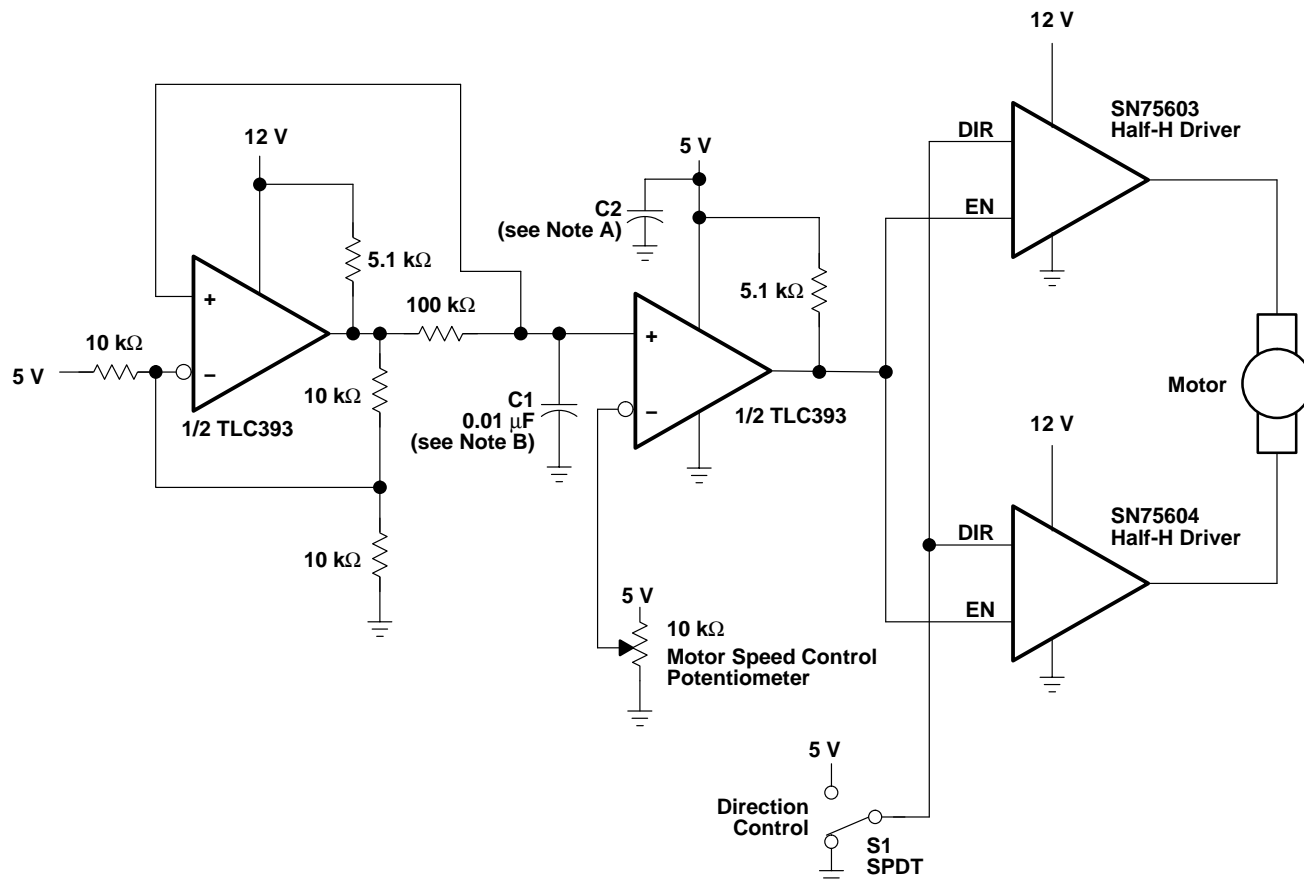
The TLC393 has internal ESD-protection circuits that prevent functional failures at voltages up to 2000 V as tested under MIL-STD-883C, Method 3015.2; however, care should be exercised in handling these devices, as exposure to ESD may result in the degradation of the device parametric performance.

Table of Applications

| | FIGURE |
|--|--------|
| Pulse-width-modulated motor speed controller | 19 |
| Enhanced supply supervisor | 20 |
| Two-phase nonoverlapping clock generator | 21 |
| Micropower switching regulator | 28 |



APPLICATION INFORMATION



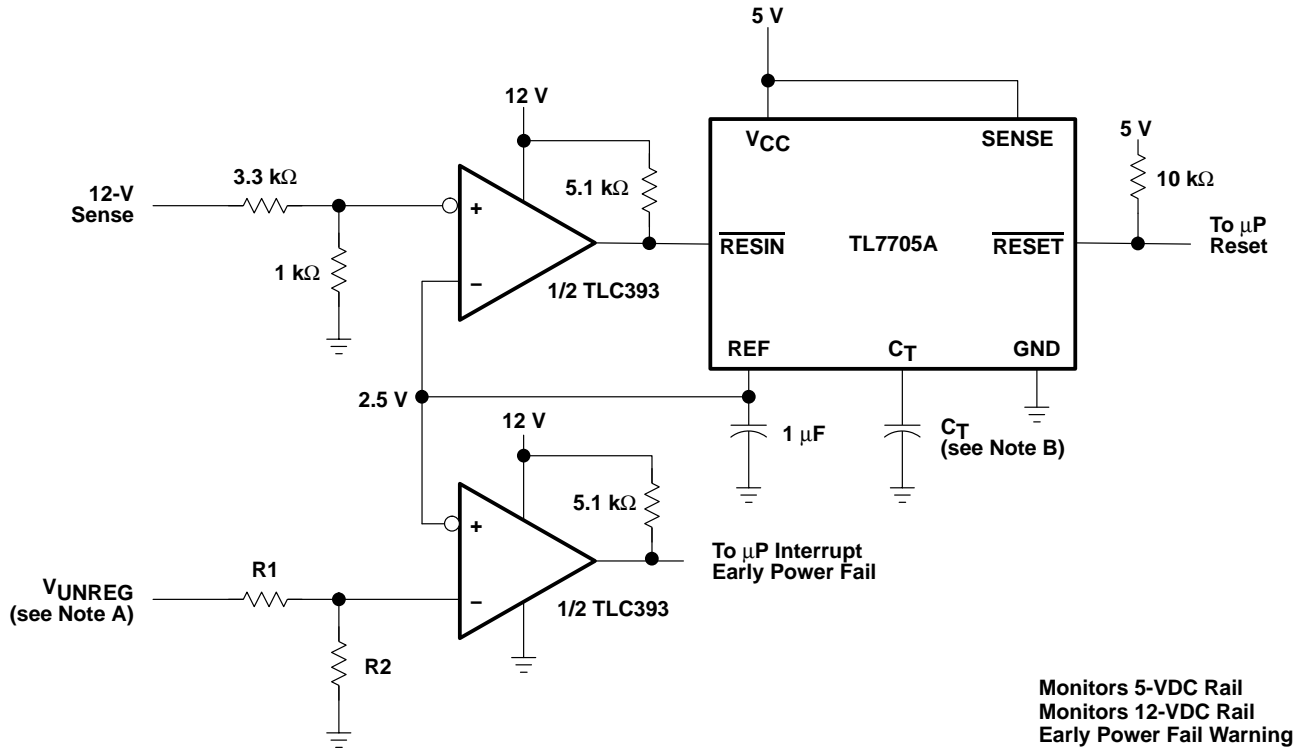
NOTES: A. The recommended minimum capacitance is 10 μF to eliminate common ground switching noise.
 B. Adjust C1 for change in oscillator frequency.

Figure 19. Pulse-Width-Modulated Motor Speed Controller

TLC193, TLC393 DUAL MICROPPOWER LinCMOS™ VOLTAGE COMPARATOR

SLCS115D – DECEMBER 1986 – REVISED JULY 2003

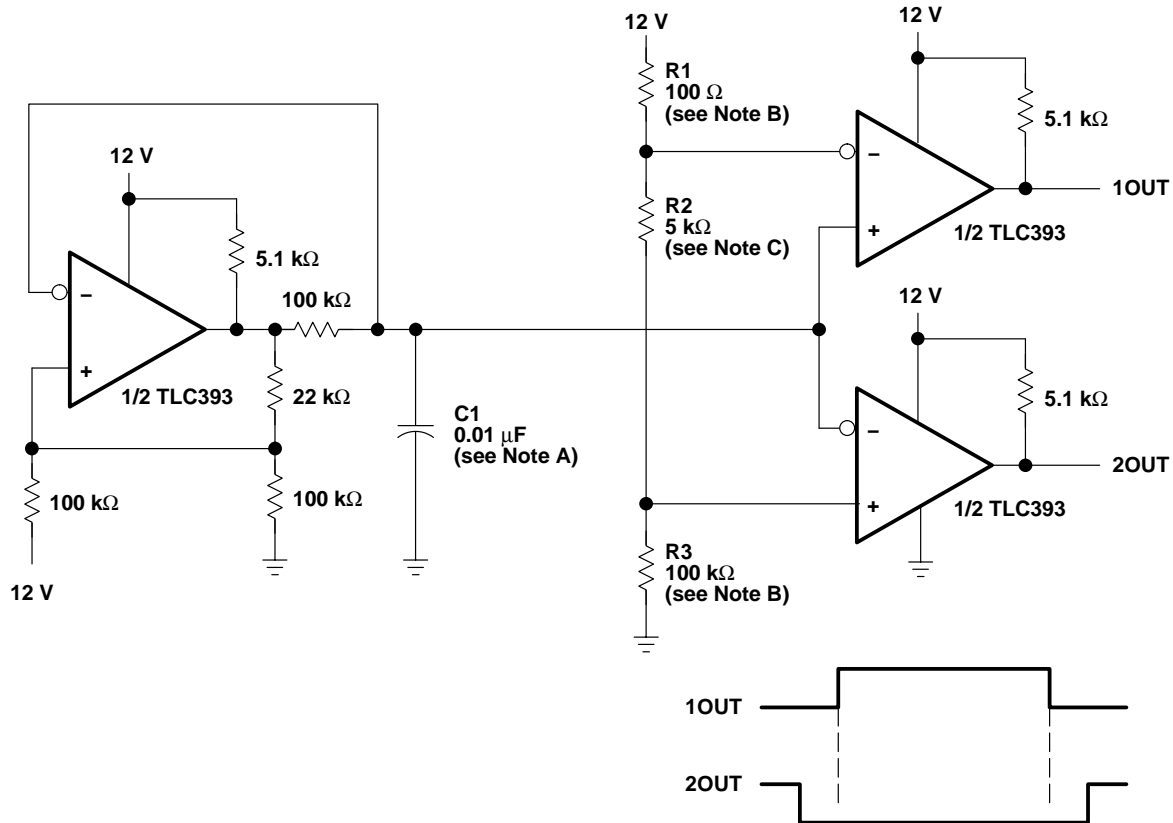
APPLICATION INFORMATION



- NOTES: A. $V_{UNREG} = 2.5 \frac{(R1 + R2)}{R2}$
 B. The value of C_T determines the time delay of reset.

Figure 20. Enhanced Supply Supervisor

APPLICATION INFORMATION



- NOTES: A. Adjust C1 for a change in oscillator frequency where:
 $1/f = 1.85(100 \text{ k}\Omega)C1$
 B. Adjust R1 and R3 to change duty cycle
 C. Adjust R2 to change deadtime

Figure 21. Two-Phase Nonoverlapping Clock Generator

PACKAGING INFORMATION

| Orderable Device | Status (1) | Package Type | Package Drawing | Pins | Package Qty | Eco Plan (2) | Lead finish/ Ball material (6) | MSL Peak Temp (3) | Op Temp (°C) | Device Marking (4/5) | Samples |
|------------------|---------------|--------------|-----------------|------|-------------|------------------|--------------------------------------|----------------------|--------------|-------------------------|---------|
| 5962-9555101NXD | LIFEBUY | SOIC | D | 8 | 2500 | RoHS & Green | NIPDAU | Level-1-260C-UNLIM | | Q193M | |
| 5962-9555101NXDR | LIFEBUY | SOIC | D | 8 | 2500 | RoHS & Green | NIPDAU | Level-1-260C-UNLIM | | Q193M | |
| 5962-9555101QPA | ACTIVE | CDIP | JG | 8 | 50 | Non-RoHS & Green | SNPB | N / A for Pkg Type | -55 to 125 | 9555101QPA TLC193M | Samples |
| TLC193MJGB | ACTIVE | CDIP | JG | 8 | 50 | Non-RoHS & Green | SNPB | N / A for Pkg Type | | 9555101QPA TLC193M | Samples |
| TLC393CD | LIFEBUY | SOIC | D | 8 | 75 | RoHS & Green | NIPDAU | Level-1-260C-UNLIM | 0 to 70 | C393C | |
| TLC393CDR | ACTIVE | SOIC | D | 8 | 2500 | RoHS & Green | NIPDAU | Level-1-260C-UNLIM | 0 to 70 | C393C | Samples |
| TLC393CP | ACTIVE | PDIP | P | 8 | 50 | RoHS & Green | NIPDAU | N / A for Pkg Type | 0 to 70 | TLC393CP | Samples |
| TLC393CPS | ACTIVE | SO | PS | 8 | 80 | RoHS & Green | NIPDAU | Level-1-260C-UNLIM | 0 to 70 | P393 | Samples |
| TLC393CPSR | ACTIVE | SO | PS | 8 | 2000 | RoHS & Green | NIPDAU | Level-1-260C-UNLIM | 0 to 70 | P393 | Samples |
| TLC393CPWR | ACTIVE | TSSOP | PW | 8 | 2000 | RoHS & Green | NIPDAU | Level-1-260C-UNLIM | 0 to 70 | P393 | Samples |
| TLC393ID | LIFEBUY | SOIC | D | 8 | 75 | RoHS & Green | NIPDAU | Level-1-260C-UNLIM | -40 to 85 | C393I | |
| TLC393IDG4 | LIFEBUY | SOIC | D | 8 | 75 | RoHS & Green | NIPDAU | Level-1-260C-UNLIM | -40 to 85 | C393I | |
| TLC393IDR | ACTIVE | SOIC | D | 8 | 2500 | RoHS & Green | NIPDAU | Level-1-260C-UNLIM | -40 to 85 | C393I | Samples |
| TLC393IDRG4 | ACTIVE | SOIC | D | 8 | 2500 | TBD | Call TI | Call TI | -40 to 85 | | Samples |
| TLC393IP | ACTIVE | PDIP | P | 8 | 50 | RoHS & Green | NIPDAU | N / A for Pkg Type | -40 to 85 | TLC393IP | Samples |
| TLC393IPE4 | ACTIVE | PDIP | P | 8 | 50 | RoHS & Green | NIPDAU | N / A for Pkg Type | -40 to 85 | TLC393IP | Samples |
| TLC393IPWR | ACTIVE | TSSOP | PW | 8 | 2000 | RoHS & Green | NIPDAU | Level-1-260C-UNLIM | -40 to 85 | Y393 | Samples |
| TLC393IPWRG4 | ACTIVE | TSSOP | PW | 8 | 2000 | TBD | Call TI | Call TI | -40 to 85 | | Samples |
| TLC393QDR | ACTIVE | SOIC | D | 8 | 2500 | RoHS & Green | NIPDAU | Level-1-260C-UNLIM | -40 to 125 | C393Q | Samples |
| TLC393QDRG4 | LIFEBUY | SOIC | D | 8 | 2500 | RoHS & Green | NIPDAU | Level-1-260C-UNLIM | | C393Q | |

(1) The marketing status values are defined as follows:
ACTIVE: Product device recommended for new designs.

LIFEBUY: TI has announced that the device will be discontinued, and a lifetime-buy period is in effect.

NRND: Not recommended for new designs. Device is in production to support existing customers, but TI does not recommend using this part in a new design.

PREVIEW: Device has been announced but is not in production. Samples may or may not be available.

OBSOLETE: TI has discontinued the production of the device.

⁽²⁾ **RoHS:** TI defines "RoHS" to mean semiconductor products that are compliant with the current EU RoHS requirements for all 10 RoHS substances, including the requirement that RoHS substance do not exceed 0.1% by weight in homogeneous materials. Where designed to be soldered at high temperatures, "RoHS" products are suitable for use in specified lead-free processes. TI may reference these types of products as "Pb-Free".

RoHS Exempt: TI defines "RoHS Exempt" to mean products that contain lead but are compliant with EU RoHS pursuant to a specific EU RoHS exemption.

Green: TI defines "Green" to mean the content of Chlorine (Cl) and Bromine (Br) based flame retardants meet JS709B low halogen requirements of <=1000ppm threshold. Antimony trioxide based flame retardants must also meet the <=1000ppm threshold requirement.

⁽³⁾ MSL, Peak Temp. - The Moisture Sensitivity Level rating according to the JEDEC industry standard classifications, and peak solder temperature.

⁽⁴⁾ There may be additional marking, which relates to the logo, the lot trace code information, or the environmental category on the device.

⁽⁵⁾ Multiple Device Markings will be inside parentheses. Only one Device Marking contained in parentheses and separated by a "~" will appear on a device. If a line is indented then it is a continuation of the previous line and the two combined represent the entire Device Marking for that device.

⁽⁶⁾ Lead finish/Ball material - Orderable Devices may have multiple material finish options. Finish options are separated by a vertical ruled line. Lead finish/Ball material values may wrap to two lines if the finish value exceeds the maximum column width.

Important Information and Disclaimer:The information provided on this page represents TI's knowledge and belief as of the date that it is provided. TI bases its knowledge and belief on information provided by third parties, and makes no representation or warranty as to the accuracy of such information. Efforts are underway to better integrate information from third parties. TI has taken and continues to take reasonable steps to provide representative and accurate information but may not have conducted destructive testing or chemical analysis on incoming materials and chemicals. TI and TI suppliers consider certain information to be proprietary, and thus CAS numbers and other limited information may not be available for release.

In no event shall TI's liability arising out of such information exceed the total purchase price of the TI part(s) at issue in this document sold by TI to Customer on an annual basis.

OTHER QUALIFIED VERSIONS OF TLC393 :

- Automotive : [TLC393-Q1](#)

NOTE: Qualified Version Definitions:

- Automotive - Q100 devices qualified for high-reliability automotive applications targeting zero defects

TAPE AND REEL INFORMATION

QUADRANT ASSIGNMENTS FOR PIN 1 ORIENTATION IN TAPE


*All dimensions are nominal

| Device | Package Type | Package Drawing | Pins | SPQ | Reel Diameter (mm) | Reel Width W1 (mm) | A0 (mm) | B0 (mm) | K0 (mm) | P1 (mm) | W (mm) | Pin1 Quadrant |
|------------------|--------------|-----------------|------|------|--------------------|--------------------|---------|---------|---------|---------|--------|---------------|
| 5962-9555101NXDR | SOIC | D | 8 | 2500 | 330.0 | 12.4 | 6.4 | 5.2 | 2.1 | 8.0 | 12.0 | Q1 |
| TLC393CDR | SOIC | D | 8 | 2500 | 330.0 | 12.4 | 6.4 | 5.2 | 2.1 | 8.0 | 12.0 | Q1 |
| TLC393CDR | SOIC | D | 8 | 2500 | 330.0 | 12.4 | 6.4 | 5.2 | 2.1 | 8.0 | 12.0 | Q1 |
| TLC393CPSR | SO | PS | 8 | 2000 | 330.0 | 16.4 | 8.35 | 6.6 | 2.5 | 12.0 | 16.0 | Q1 |
| TLC393CPWR | TSSOP | PW | 8 | 2000 | 330.0 | 12.4 | 7.0 | 3.6 | 1.6 | 8.0 | 12.0 | Q1 |
| TLC393IDR | SOIC | D | 8 | 2500 | 330.0 | 12.4 | 6.4 | 5.2 | 2.1 | 8.0 | 12.0 | Q1 |
| TLC393IDR | SOIC | D | 8 | 2500 | 330.0 | 12.4 | 6.4 | 5.2 | 2.1 | 8.0 | 12.0 | Q1 |
| TLC393IPWR | TSSOP | PW | 8 | 2000 | 330.0 | 12.4 | 7.0 | 3.6 | 1.6 | 8.0 | 12.0 | Q1 |
| TLC393QDR | SOIC | D | 8 | 2500 | 330.0 | 12.4 | 6.4 | 5.2 | 2.1 | 8.0 | 12.0 | Q1 |
| TLC393QDR | SOIC | D | 8 | 2500 | 330.0 | 12.4 | 6.4 | 5.2 | 2.1 | 8.0 | 12.0 | Q1 |
| TLC393QDRG4 | SOIC | D | 8 | 2500 | 330.0 | 12.4 | 6.4 | 5.2 | 2.1 | 8.0 | 12.0 | Q1 |

TAPE AND REEL BOX DIMENSIONS


*All dimensions are nominal

| Device | Package Type | Package Drawing | Pins | SPQ | Length (mm) | Width (mm) | Height (mm) |
|------------------|--------------|-----------------|------|------|-------------|------------|-------------|
| 5962-9555101NXDR | SOIC | D | 8 | 2500 | 350.0 | 350.0 | 43.0 |
| TLC393CDR | SOIC | D | 8 | 2500 | 356.0 | 356.0 | 35.0 |
| TLC393CDR | SOIC | D | 8 | 2500 | 340.5 | 338.1 | 20.6 |
| TLC393CPSR | SO | PS | 8 | 2000 | 356.0 | 356.0 | 35.0 |
| TLC393CPWR | TSSOP | PW | 8 | 2000 | 356.0 | 356.0 | 35.0 |
| TLC393IDR | SOIC | D | 8 | 2500 | 356.0 | 356.0 | 35.0 |
| TLC393IDR | SOIC | D | 8 | 2500 | 340.5 | 338.1 | 20.6 |
| TLC393IPWR | TSSOP | PW | 8 | 2000 | 356.0 | 356.0 | 35.0 |
| TLC393QDR | SOIC | D | 8 | 2500 | 356.0 | 356.0 | 35.0 |
| TLC393QDR | SOIC | D | 8 | 2500 | 350.0 | 350.0 | 43.0 |
| TLC393QDRG4 | SOIC | D | 8 | 2500 | 350.0 | 350.0 | 43.0 |

TUBE


*All dimensions are nominal

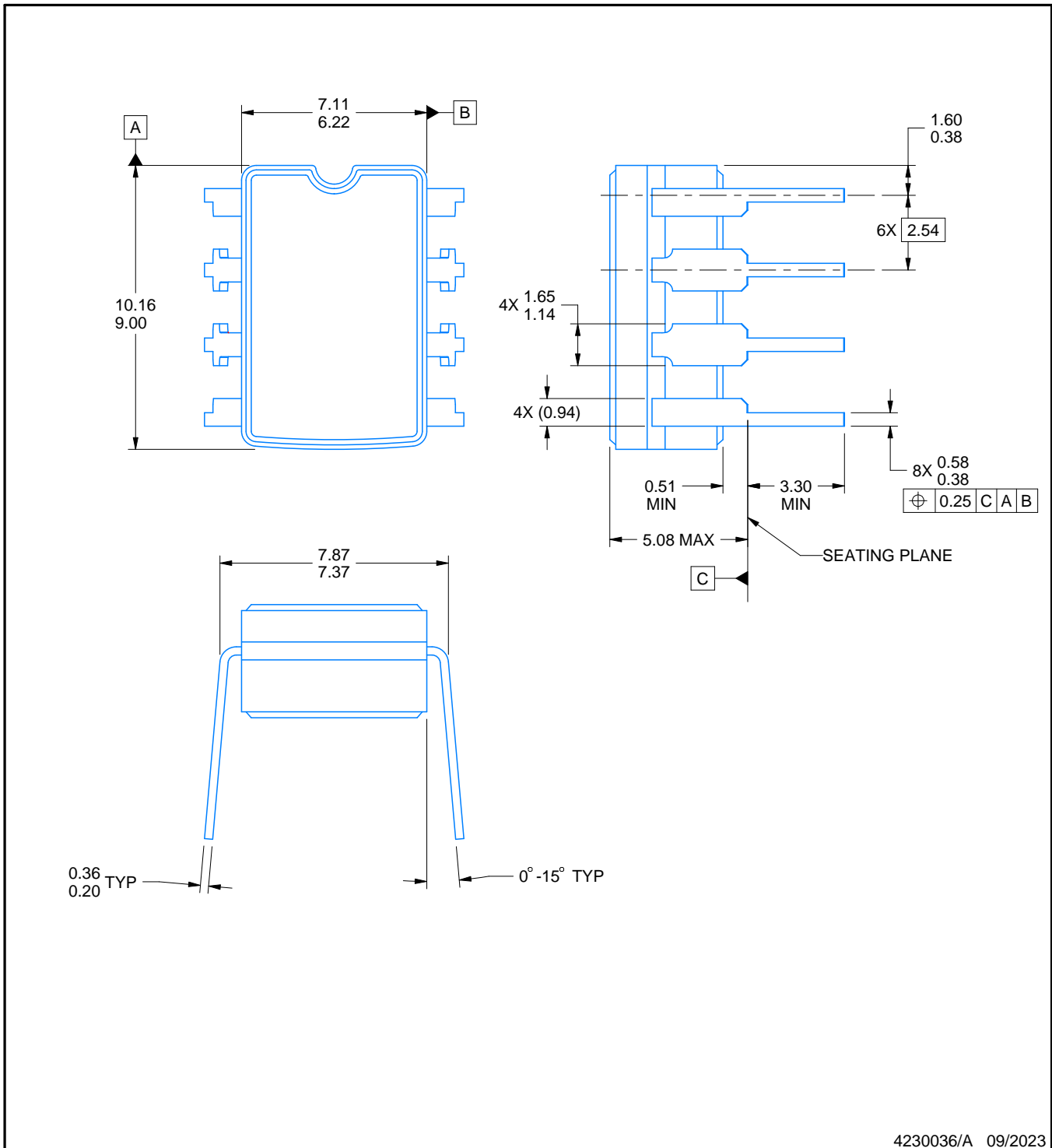
| Device | Package Name | Package Type | Pins | SPQ | L (mm) | W (mm) | T (μm) | B (mm) |
|------------|--------------|--------------|------|-----|--------|--------|--------|--------|
| TLC393CD | D | SOIC | 8 | 75 | 507 | 8 | 3940 | 4.32 |
| TLC393CP | P | PDIP | 8 | 50 | 506 | 13.97 | 11230 | 4.32 |
| TLC393CPS | PS | SOP | 8 | 80 | 530 | 10.5 | 4000 | 4.1 |
| TLC393ID | D | SOIC | 8 | 75 | 507 | 8 | 3940 | 4.32 |
| TLC393ID | D | SOIC | 8 | 75 | 505.46 | 6.76 | 3810 | 4 |
| TLC393IDG4 | D | SOIC | 8 | 75 | 507 | 8 | 3940 | 4.32 |
| TLC393IDG4 | D | SOIC | 8 | 75 | 505.46 | 6.76 | 3810 | 4 |
| TLC393IP | P | PDIP | 8 | 50 | 506 | 13.97 | 11230 | 4.32 |
| TLC393IPE4 | P | PDIP | 8 | 50 | 506 | 13.97 | 11230 | 4.32 |

PACKAGE OUTLINE

JG0008A

CDIP - 5.08 mm max height

CERAMIC DUAL IN-LINE PACKAGE



4230036/A 09/2023

NOTES:

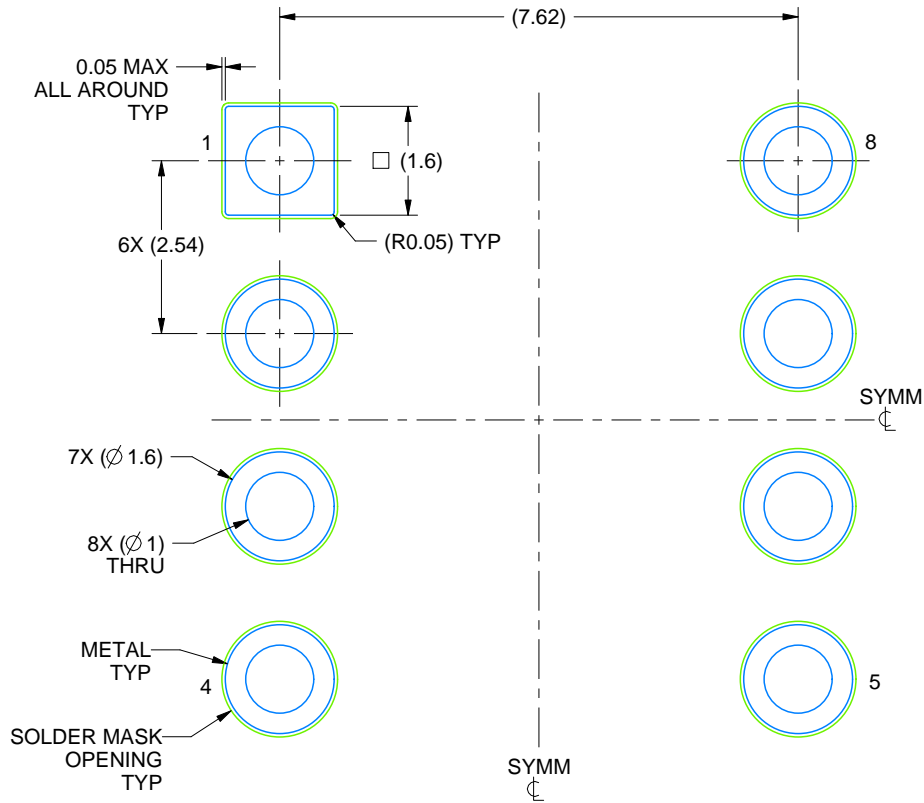
1. All linear dimensions are in millimeters. Any dimensions in parenthesis are for reference only. Dimensioning and tolerancing per ASME Y14.5M.
2. This drawing is subject to change without notice.
3. This package can be hermetically sealed with a ceramic lid using glass frit.
4. Index point is provided on cap for terminal identification.
5. Falls within MIL STD 1835 GDIP1-T8

EXAMPLE BOARD LAYOUT

JG0008A

CDIP - 5.08 mm max height

CERAMIC DUAL IN-LINE PACKAGE



LAND PATTERN EXAMPLE
NON SOLDER MASK DEFINED
SCALE: 9X

4230036/A 09/2023



D0008A

PACKAGE OUTLINE

SOIC - 1.75 mm max height

SMALL OUTLINE INTEGRATED CIRCUIT



4214825/C 02/2019

NOTES:

- Linear dimensions are in inches [millimeters]. Dimensions in parenthesis are for reference only. Controlling dimensions are in inches. Dimensioning and tolerancing per ASME Y14.5M.
- This drawing is subject to change without notice.
- This dimension does not include mold flash, protrusions, or gate burrs. Mold flash, protrusions, or gate burrs shall not exceed .006 [0.15] per side.
- This dimension does not include interlead flash.
- Reference JEDEC registration MS-012, variation AA.

EXAMPLE BOARD LAYOUT

D0008A

SOIC - 1.75 mm max height

SMALL OUTLINE INTEGRATED CIRCUIT



LAND PATTERN EXAMPLE
EXPOSED METAL SHOWN
SCALE:8X



SOLDER MASK DETAILS

4214825/C 02/2019

NOTES: (continued)

- 6. Publication IPC-7351 may have alternate designs.
- 7. Solder mask tolerances between and around signal pads can vary based on board fabrication site.

EXAMPLE STENCIL DESIGN

D0008A

SOIC - 1.75 mm max height

SMALL OUTLINE INTEGRATED CIRCUIT



SOLDER PASTE EXAMPLE
BASED ON .005 INCH [0.125 MM] THICK STENCIL
SCALE:8X

4214825/C 02/2019

NOTES: (continued)

8. Laser cutting apertures with trapezoidal walls and rounded corners may offer better paste release. IPC-7525 may have alternate design recommendations.
9. Board assembly site may have different recommendations for stencil design.

MECHANICAL DATA

PS (R-PDSO-G8)

PLASTIC SMALL-OUTLINE PACKAGE



- NOTES:
- A. All linear dimensions are in millimeters.
 - B. This drawing is subject to change without notice.
 - C. Body dimensions do not include mold flash or protrusion, not to exceed 0,15.

PS (R-PDSO-G8)

PLASTIC SMALL OUTLINE



- NOTES:
- All linear dimensions are in millimeters.
 - This drawing is subject to change without notice.
 - Publication IPC-7351 is recommended for alternate designs.
 - Laser cutting apertures with trapezoidal walls and also rounding corners will offer better paste release. Customers should contact their board assembly site for stencil design recommendations. Refer to IPC-7525 for other stencil recommendations.
 - Customers should contact their board fabrication site for solder mask tolerances between and around signal pads.

P (R-PDIP-T8)

PLASTIC DUAL-IN-LINE PACKAGE



- NOTES:
- A. All linear dimensions are in inches (millimeters).
 - B. This drawing is subject to change without notice.
 - C. Falls within JEDEC MS-001 variation BA.

PW0008A



PACKAGE OUTLINE
TSSOP - 1.2 mm max height

SMALL OUTLINE PACKAGE



4221848/A 02/2015

NOTES:

1. All linear dimensions are in millimeters. Any dimensions in parenthesis are for reference only. Dimensioning and tolerancing per ASME Y14.5M.
2. This drawing is subject to change without notice.
3. This dimension does not include mold flash, protrusions, or gate burrs. Mold flash, protrusions, or gate burrs shall not exceed 0.15 mm per side.
4. This dimension does not include interlead flash. Interlead flash shall not exceed 0.25 mm per side.
5. Reference JEDEC registration MO-153, variation AA.

EXAMPLE BOARD LAYOUT

PW0008A

TSSOP - 1.2 mm max height

SMALL OUTLINE PACKAGE



LAND PATTERN EXAMPLE
SCALE:10X



SOLDER MASK DETAILS
NOT TO SCALE

4221848/A 02/2015

NOTES: (continued)

- 6. Publication IPC-7351 may have alternate designs.
- 7. Solder mask tolerances between and around signal pads can vary based on board fabrication site.

EXAMPLE STENCIL DESIGN

PW0008A

TSSOP - 1.2 mm max height

SMALL OUTLINE PACKAGE



SOLDER PASTE EXAMPLE
BASED ON 0.125 mm THICK STENCIL
SCALE:10X

4221848/A 02/2015

NOTES: (continued)

8. Laser cutting apertures with trapezoidal walls and rounded corners may offer better paste release. IPC-7525 may have alternate design recommendations.
9. Board assembly site may have different recommendations for stencil design.

IMPORTANT NOTICE AND DISCLAIMER

TI PROVIDES TECHNICAL AND RELIABILITY DATA (INCLUDING DATA SHEETS), DESIGN RESOURCES (INCLUDING REFERENCE DESIGNS), APPLICATION OR OTHER DESIGN ADVICE, WEB TOOLS, SAFETY INFORMATION, AND OTHER RESOURCES "AS IS" AND WITH ALL FAULTS, AND DISCLAIMS ALL WARRANTIES, EXPRESS AND IMPLIED, INCLUDING WITHOUT LIMITATION ANY IMPLIED WARRANTIES OF MERCHANTABILITY, FITNESS FOR A PARTICULAR PURPOSE OR NON-INFRINGEMENT OF THIRD PARTY INTELLECTUAL PROPERTY RIGHTS.

These resources are intended for skilled developers designing with TI products. You are solely responsible for (1) selecting the appropriate TI products for your application, (2) designing, validating and testing your application, and (3) ensuring your application meets applicable standards, and any other safety, security, regulatory or other requirements.

These resources are subject to change without notice. TI grants you permission to use these resources only for development of an application that uses the TI products described in the resource. Other reproduction and display of these resources is prohibited. No license is granted to any other TI intellectual property right or to any third party intellectual property right. TI disclaims responsibility for, and you will fully indemnify TI and its representatives against, any claims, damages, costs, losses, and liabilities arising out of your use of these resources.

TI's products are provided subject to [TI's Terms of Sale](#) or other applicable terms available either on [ti.com](https://www.ti.com) or provided in conjunction with such TI products. TI's provision of these resources does not expand or otherwise alter TI's applicable warranties or warranty disclaimers for TI products.

TI objects to and rejects any additional or different terms you may have proposed.

Mailing Address: Texas Instruments, Post Office Box 655303, Dallas, Texas 75265
Copyright © 2024, Texas Instruments Incorporated