

## TMP708-Q1 Automotive, Resistor-Programmable Temperature Switch in SOT Package

### 1 Features

- Qualified for Automotive Applications
- AEC-Q100 Qualified With the Following Results:
  - Device Temperature Grade 1:  $-40^{\circ}\text{C}$  to  $125^{\circ}\text{C}$  Ambient Operating Temperature Range
  - Device HBM ESD Classification Level 3A
  - Device CDM ESD Classification Level C6
- Threshold Accuracy:
  - $\pm 0.5^{\circ}\text{C}$  Typical
  - $\pm 3.5^{\circ}\text{C}$  Maximum ( $60^{\circ}\text{C}$  to  $100^{\circ}\text{C}$ )
- Temperature Threshold Set By 1% External Resistor
- Low Quiescent Current:  $40\ \mu\text{A}$ , Typical
- Open-Drain, Active-Low Output Stage
- Pin-Selectable  $10^{\circ}\text{C}$  or  $30^{\circ}\text{C}$  Hysteresis
- Reset Operation Specified at  $V_{\text{CC}} = 0.8\ \text{V}$
- Supply Range:  $2.7\ \text{V}$  to  $5.5\ \text{V}$
- Package: 5-Pin SOT-23

### 2 Applications

- Computers (Laptops and Desktops)
- Servers
- Industrial and Medical Equipment
- Storage Area Networks
- Automotive

### 3 Description

The TMP708-Q1 is a fully-integrated, resistor-programmable temperature switch with a temperature threshold that is set by just one external resistor within the entire operating range. The TMP708-Q1 provides an open-drain, active-low output and has a  $2.7\text{-V}$  to  $5.5\text{-V}$  supply voltage range.

The temperature threshold accuracy is typically  $\pm 0.5^{\circ}\text{C}$ , with a maximum of  $\pm 3.5^{\circ}\text{C}$  ( $60^{\circ}\text{C}$  to  $100^{\circ}\text{C}$ ). The quiescent current consumption is typically  $40\ \mu\text{A}$ . Hysteresis is pin-selectable to  $10^{\circ}\text{C}$  or  $30^{\circ}\text{C}$ .

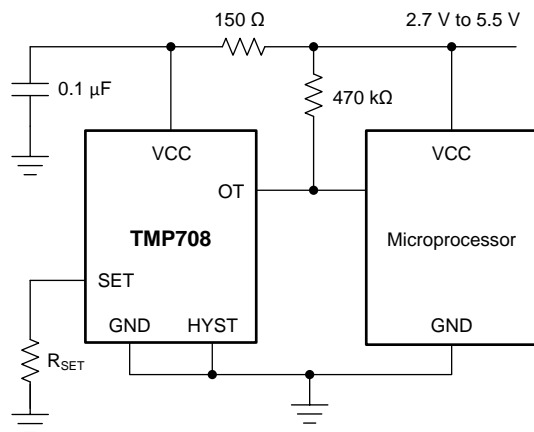
The TMP708-Q1 is available in a 5-pin, SOT-23 package.

#### Device Information<sup>(1)</sup>

PART NUMBER	PACKAGE	BODY SIZE (NOM)
TMP708-Q1	SOT-23 (5)	2.90 mm x 1.60 mm

(1) For all available packages, see the package option addendum at the end of the datasheet.

#### Typical Application



Copyright © 2016, Texas Instruments Incorporated



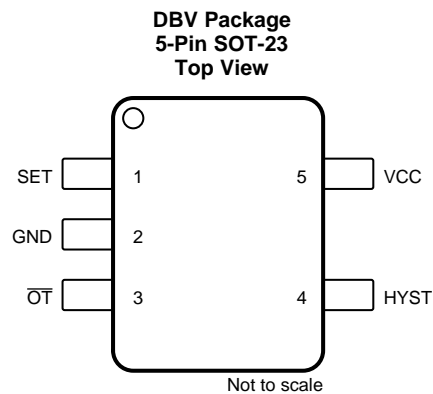
## Table of Contents

<b>1 Features</b> .....	<a href="#">1</a>	7.4 Device Functional Modes.....	<a href="#">8</a>
<b>2 Applications</b> .....	<a href="#">1</a>	<b>8 Application and Implementation</b> .....	<a href="#">9</a>
<b>3 Description</b> .....	<a href="#">1</a>	8.1 Application Information.....	<a href="#">9</a>
<b>4 Revision History</b> .....	<a href="#">2</a>	8.2 Typical Application .....	<a href="#">9</a>
<b>5 Pin Configuration and Functions</b> .....	<a href="#">3</a>	<b>9 Power Supply Recommendations</b> .....	<a href="#">11</a>
<b>6 Specifications</b> .....	<a href="#">4</a>	<b>10 Layout</b> .....	<a href="#">11</a>
6.1 Absolute Maximum Ratings .....	<a href="#">4</a>	10.1 Layout Guidelines .....	<a href="#">11</a>
6.2 ESD Ratings.....	<a href="#">4</a>	10.2 Layout Example .....	<a href="#">11</a>
6.3 Recommended Operating Conditions .....	<a href="#">4</a>	10.3 Thermal Considerations .....	<a href="#">11</a>
6.4 Thermal Information .....	<a href="#">4</a>	<b>11 Device and Documentation Support</b> .....	<a href="#">12</a>
6.5 Electrical Characteristics.....	<a href="#">5</a>	11.1 Receiving Notification of Documentation Updates	<a href="#">12</a>
6.6 Typical Characteristics .....	<a href="#">6</a>	11.2 Community Resources.....	<a href="#">12</a>
<b>7 Detailed Description</b> .....	<a href="#">7</a>	11.3 Trademarks .....	<a href="#">12</a>
7.1 Overview .....	<a href="#">7</a>	11.4 Electrostatic Discharge Caution.....	<a href="#">12</a>
7.2 Functional Block Diagram .....	<a href="#">7</a>	11.5 Glossary .....	<a href="#">12</a>
7.3 Feature Description.....	<a href="#">8</a>	<b>12 Mechanical, Packaging, and Orderable Information</b> .....	<a href="#">12</a>

## 4 Revision History

DATE	REVISION	NOTES
December 2016	*	Initial release.

## 5 Pin Configuration and Functions



### Pin Functions

PIN		TYPE	DESCRIPTION
NAME	NO.		
GND	2	Analog power	Device ground
HYST	4	Digital input	Hysteresis selection. For 10°C, HYST = VCC; for 30°C, HYST = GND.
$\overline{OT}$	3	Digital output	Open-drain, active low output
SET	1	Analog input	Temperature set point. Connect an external 1% resistor between SET and GND.
VCC	5	Analog power	Power-supply voltage (2.7 V to 5.5 V)

## 6 Specifications

### 6.1 Absolute Maximum Ratings

over operating free-air temperature range (unless otherwise noted) <sup>(1)</sup>

		MIN	MAX	UNIT
Voltage	Supply, VCC	-0.3	6	V
	Input, SET and HYST	-0.3	V <sub>CC</sub> + 0.3	
	Output, OT	-0.3	6	
Current	Input		20	mA
	Output		20	
Temperature	Operating, T <sub>A</sub>	-40	125	°C
	Junction, T <sub>J</sub>		150	
	Storage, T <sub>stg</sub>	-65	150	

- (1) Stresses beyond those listed under *Absolute Maximum Ratings* may cause permanent damage to the device. These are stress ratings only, which do not imply functional operation of the device at these or any other conditions beyond those indicated under *Recommended Operating Conditions*. Exposure to absolute-maximum-rated conditions for extended periods may affect device reliability.

### 6.2 ESD Ratings

		VALUE	UNIT
V <sub>(ESD)</sub>	Electrostatic discharge	Human-body model (HBM), per AEC Q100-002 <sup>(1)</sup>	±4000
		Charged-device model (CDM), per AEC Q100-011	±1000

- (1) AEC Q100-002 indicates that HBM stressing shall be in accordance with the ANSI/ESDA/JEDEC JS-001 specification.

### 6.3 Recommended Operating Conditions

over operating free-air temperature range (unless otherwise noted)

		MIN	NOM	MAX	UNIT
V <sub>CC</sub>	Supply voltage	2.7		5.5	V
T <sub>A</sub>	Operating temperature	0		125	°C

### 6.4 Thermal Information

THERMAL METRIC <sup>(1)</sup>		TMP708-Q1	UNIT
		DBV (SOT-23)	
		5 PINS	
R <sub>θJA</sub>	Junction-to-ambient thermal resistance	217.9	°C/W
R <sub>θJC(top)</sub>	Junction-to-case (top) thermal resistance	86.3	°C/W
R <sub>θJB</sub>	Junction-to-board thermal resistance	44.6	°C/W
ψ <sub>JT</sub>	Junction-to-top characterization parameter	4.4	°C/W
ψ <sub>JB</sub>	Junction-to-board characterization parameter	43.8	°C/W
R <sub>θJC(bot)</sub>	Junction-to-case (bottom) thermal resistance	N/A	°C/W

- (1) For more information about traditional and new thermal metrics, see the [Semiconductor and IC Package Thermal Metrics](#) application report.

## 6.5 Electrical Characteristics

 at  $T_A = 0^\circ\text{C}$  to  $125^\circ\text{C}$  and  $V_{CC} = 2.7\text{ V}$  to  $5.5\text{ V}$  (unless otherwise noted)

PARAMETER		TEST CONDITIONS	MIN	TYP	MAX	UNIT
<b>POWER SUPPLY</b>						
$I_{CC}$	Supply current	$V_{CC} = 5\text{ V}$		40	55	$\mu\text{A}$
		$V_{CC} = 2.7\text{ V}$		40	55	$\mu\text{A}$
<b>TEMPERATURE</b>						
$T_E$	Temperature error	$T_A = 60^\circ\text{C}$ to $100^\circ\text{C}$		$\pm 0.5$	$\pm 3.5$	$^\circ\text{C}$
<b>DIGITAL INPUT (HYST)</b>						
$V_{IH}$	High-level input voltage		$0.7 \times V_{CC}$			V
$V_{IL}$	Low-level input voltage			$0.3 \times V_{CC}$		V
$I_{lk\_in}$	Input leakage current			1		$\mu\text{A}$
$C_{IN}$	Input capacitance			10		pF
<b>ANALOG INPUT (SET)</b>						
$V_{IN}$	Input voltage range		0		$V_{CC}$	V
<b>DIGITAL OPEN-DRAIN OUTPUT (<math>\overline{OT}</math>)</b>						
$I_{(OT\_SINK)}$	Output sink current	$V_{OT} = 0.3\text{ V}$	5	12		mA
$I_{lk(OT)}$	Output leakage current	$V_{OT} = V_{CC}$		1		$\mu\text{A}$

### 6.6 Typical Characteristics

at  $T_A = 25^\circ\text{C}$  and  $V_{CC} = 2.7\text{ V}$  to  $5.5\text{ V}$  (unless otherwise noted)

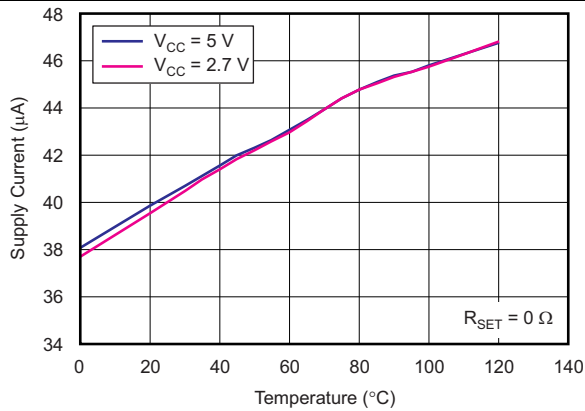


Figure 1. Supply Current vs Temperature

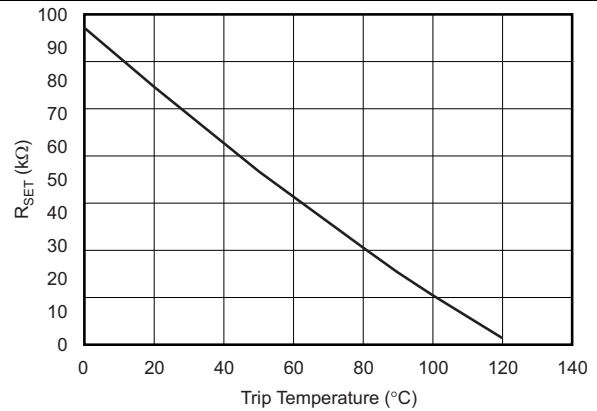


Figure 2.  $R_{SET}$  vs Trip Temperature

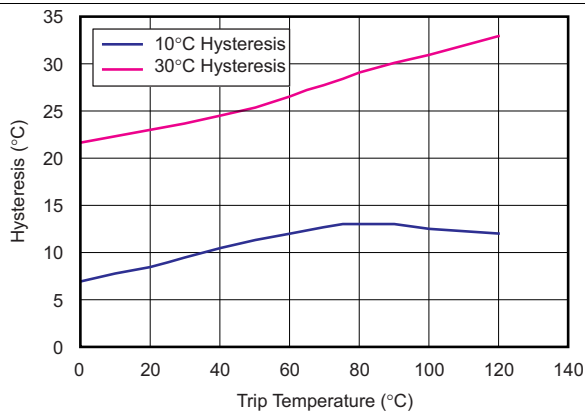


Figure 3. Hysteresis vs Trip Temperature

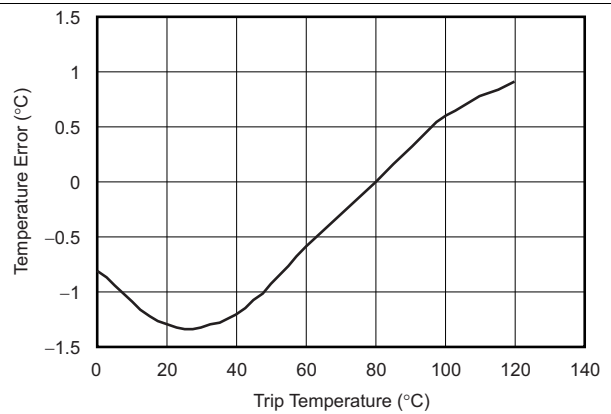


Figure 4. Temperature Error vs Trip Temperature

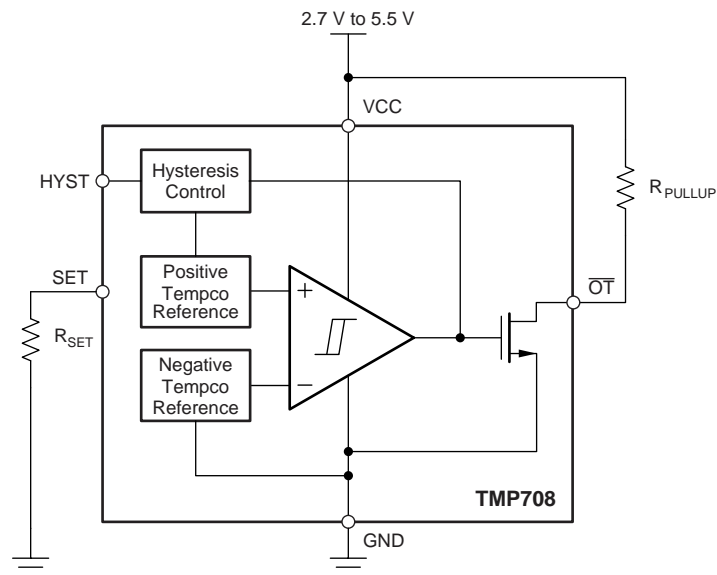
## 7 Detailed Description

### 7.1 Overview

The TMP708-Q1 is a fully-integrated, resistor-programmable temperature switch that incorporates two temperature-dependent voltage references and one comparator. One voltage reference exhibits a positive temperature coefficient (tempco), and the other voltage reference exhibits a negative tempco. The temperature at which both voltage references are equal determines the temperature trip point.

The [Functional Block Diagram](#) shows the comparator, the NFET open-drain device connected to the  $\overline{OT}$  pin, the positive tempco reference using the external  $R_{SET}$  resistor, the negative tempco reference, and the hysteresis control. The voltage of the positive tempco reference is controlled by external resistor  $R_{SET}$ .

### 7.2 Functional Block Diagram



Copyright © 2016, Texas Instruments Incorporated

## 7.3 Feature Description

### 7.3.1 Temperature Switch

The TMP708-Q1 temperature threshold is programmable from 0°C to 125°C and is set by an external 1% resistor from the SET pin to the GND pin. The TMP708-Q1 has an open-drain, active-low output structure that easily interfaces with a microprocessor.

The TMP708-Q1 reaches the temperature trip point when the voltage from the positive tempco reference exceeds the voltage from the negative tempco reference. This difference causes the output of the comparator to switch from logic 0 to logic 1. The comparator output drives the gate of the NFET open-drain device, and pulls the voltage on the  $\overline{OT}$  pin from logic 1 to logic 0 under these conditions; in other words, the output *trips*. Furthermore, the logic 1 output from the comparator causes the hysteresis control to increase the voltage of the positive tempco reference by an amount set by the logic setting on the HYST pin (10°C for logic 1 on the HYST pin; 30°C for logic 0 on the HYST pin). Increase the voltage of the positive tempco reference after the TMP708-Q1 trips to stop the TMP708-Q1 from untripping (voltage on the  $\overline{OT}$  pin changing from logic 0 to logic 1) until the local temperature reduces by the amount set by the HYST pin. After the local temperature reduces, and the voltage from the positive tempco reference is less than the voltage from the negative tempco reference, the output of the comparator switches from logic 1 to logic 0. This condition causes the voltage on the  $\overline{OT}$  pin to change from logic 0 to logic 1 (device untrips).

### 7.3.2 Hysteresis Input

The HYST pin is a digital input that allows the input hysteresis to be set at either 10°C (when HYST = VCC) or 30°C (when HYST = GND). The hysteresis function keeps the  $\overline{OT}$  pin from oscillating when the temperature is near the threshold. Thus, always connect the HYST pin to either VCC or GND. Other input voltages on this pin can cause abnormal supply currents or a device malfunction.

### 7.3.3 Set-Point Resistor ( $R_{SET}$ )

Set the temperature threshold by connecting  $R_{SET}$  from the SET pin to GND. The value of  $R_{SET}$  is determined using either [Figure 2](#) or [Equation 1](#):

$$R_{SET} \text{ (k}\Omega\text{)} = 0.0012T^2 - 0.9308T + 96.147$$

where

- T = temperature threshold in degrees Celsius. (1)

## 7.4 Device Functional Modes

The TMP708-Q1 device has a single functional mode. Normal operation for the TMP708-Q1 device occurs when the power-supply voltage applied across the VCC and GND pins is within the specified operating range of 2.7 V to 5.5 V.



## 8 Application and Implementation

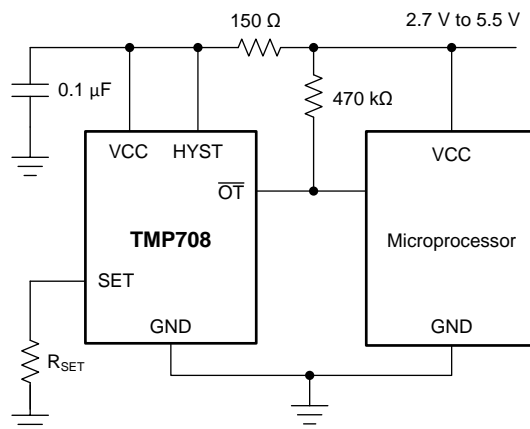
### NOTE

Information in the following applications sections is not part of the TI component specification, and TI does not warrant its accuracy or completeness. TI's customers are responsible for determining suitability of components for their purposes. Customers should validate and test their design implementation to confirm system functionality.

### 8.1 Application Information

The TMP708-Q1 device is simple to configure. The only external components that the device requires are a bypass capacitor and pullup resistor. Power-supply bypassing is strongly recommended. Use a 0.1- $\mu$ F capacitor placed as close as possible to the VCC supply pin. To minimize the internal power dissipation of the TMP708-Q1 family of devices, use a pullup resistor value greater than 10 k $\Omega$  from the  $\overline{\text{OT}}$  pin to the VCC pin. See the [Hysteresis Input](#) section for hysteresis configuration, and the [Set-Point Resistor \( \$R\_{\text{SET}}\$ \)](#) section for configuring the temperature threshold.

### 8.2 Typical Application



Copyright © 2016, Texas Instruments Incorporated

Figure 5. Overtemperature Protection for a 60°C Trip Point

#### 8.2.1 Design Requirements

For this design example, a 2.7-V to 5.5-V power supply, 60°C trip point, and 10°C hysteresis are used.

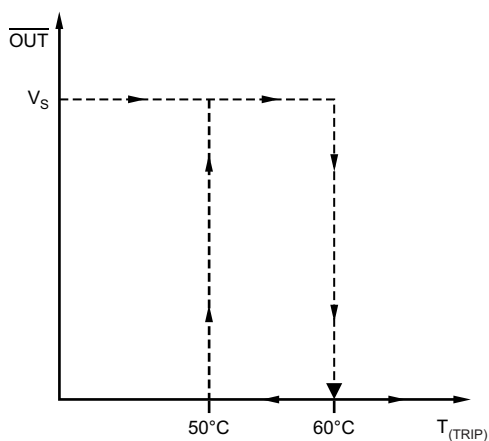
## Typical Application (continued)

### 8.2.2 Detailed Design Procedure

Connect the HYST pin to VCC for 10°C hysteresis. For a 60°C temperature threshold, see the [Set-Point Resistor \( \$R\_{SET}\$ \)](#) section to compute an ideal  $R_{SET}$  resistor value of 44.619 k $\Omega$ . Select the closest standard value resistor available; in this case, 44.2 k $\Omega$ . Use a 10-k $\Omega$  pullup resistor from the  $\overline{OT}$  pin to the VCC pin. To minimize power, a larger-value pullup resistor can be used, but must not exceed 470 k $\Omega$ . Place a 0.1- $\mu$ F bypass capacitor close to the TMP708-Q1 device in order to reduce noise coupled from the power supply.

### 8.2.3 Application Curves

Figure 6 shows an example of the hysteresis feature. The HYST pin is connected to VCC, so the TMP708-Q1 device is configured for 10°C of hysteresis. The device is configured for a 60°C trip temperature by the  $R_{SET}$  resistor value; therefore, the  $\overline{OT}$  output asserts low when the 60°C threshold is exceeded. The  $\overline{OT}$  output remains asserted low until the sensor reaches 50°C.



**Figure 6. TMP708-Q1 Hysteresis Function**

## 9 Power Supply Recommendations

The TMP708-Q1 low supply current and supply range allow this device to be powered from many sources. Any significant noise on the VCC pin can result in a trip-point error. Minimize this noise by low-pass filtering the device supply ( $V_{CC}$ ) using a 150- $\Omega$  resistor and a 0.1- $\mu$ F capacitor.

## 10 Layout

### 10.1 Layout Guidelines

The TMP708-Q1 is extremely simple to lay out. [Figure 7](#) shows the recommended board layout.

### 10.2 Layout Example

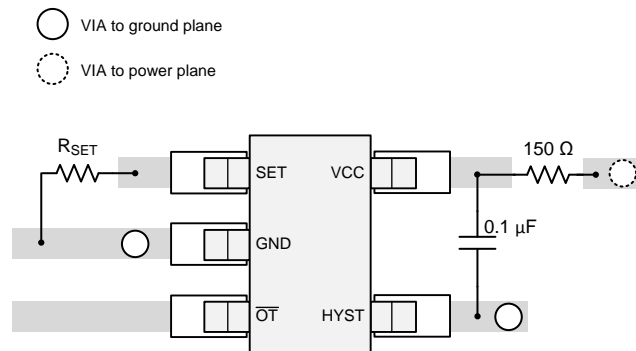


Figure 7. Recommended Layout

### 10.3 Thermal Considerations

The TMP708-Q1 quiescent current is typically 40  $\mu$ A. The device dissipates negligible power when the output drives a high-impedance load. Thus, the die temperature is the same as the package temperature. In order to maintain accurate temperature monitoring, provide a good thermal contact between the TMP708-Q1 package and the device being monitored. The rise in die temperature as a result of self-heating is given by [Equation 2](#):

$$\Delta T_J = P_{DISS} \times \theta_{JA}$$

where

- $P_{DISS}$  = power dissipated by the device.
- $\theta_{JA}$  = package thermal resistance. Typical thermal resistance for SOT-23 package is 217.9°C/W. (2)

To limit the effects of self-heating, keep the output current at a minimum level.

## 11 Device and Documentation Support

### 11.1 Receiving Notification of Documentation Updates

To receive notification of documentation updates, navigate to the device product folder on ti.com. In the upper right corner, click on *Alert me* to register and receive a weekly digest of any product information that has changed. For change details, review the revision history included in any revised document.

### 11.2 Community Resources

The following links connect to TI community resources. Linked contents are provided "AS IS" by the respective contributors. They do not constitute TI specifications and do not necessarily reflect TI's views; see TI's [Terms of Use](#).

**TI E2E™ Online Community** *TI's Engineer-to-Engineer (E2E) Community*. Created to foster collaboration among engineers. At e2e.ti.com, you can ask questions, share knowledge, explore ideas and help solve problems with fellow engineers.

**Design Support** *TI's Design Support* Quickly find helpful E2E forums along with design support tools and contact information for technical support.

### 11.3 Trademarks

E2E is a trademark of Texas Instruments.  
All other trademarks are the property of their respective owners.

### 11.4 Electrostatic Discharge Caution



This integrated circuit can be damaged by ESD. Texas Instruments recommends that all integrated circuits be handled with appropriate precautions. Failure to observe proper handling and installation procedures can cause damage.

ESD damage can range from subtle performance degradation to complete device failure. Precision integrated circuits may be more susceptible to damage because very small parametric changes could cause the device not to meet its published specifications.

### 11.5 Glossary

[SLYZ022](#) — *TI Glossary*.

This glossary lists and explains terms, acronyms, and definitions.

## 12 Mechanical, Packaging, and Orderable Information

The following pages include mechanical, packaging, and orderable information. This information is the most current data available for the designated devices. This data is subject to change without notice and revision of this document. For browser-based versions of this data sheet, refer to the left-hand navigation.

**PACKAGING INFORMATION**

Orderable Device	Status (1)	Package Type	Package Drawing	Pins	Package Qty	Eco Plan (2)	Lead finish/ Ball material (6)	MSL Peak Temp (3)	Op Temp (°C)	Device Marking (4/5)	Samples
TMP708AQDBVRQ1	ACTIVE	SOT-23	DBV	5	3000	RoHS & Green	SN	Level-2-260C-1 YEAR	0 to 125	708Q	Samples

(1) The marketing status values are defined as follows:

**ACTIVE:** Product device recommended for new designs.

**LIFEBUY:** TI has announced that the device will be discontinued, and a lifetime-buy period is in effect.

**NRND:** Not recommended for new designs. Device is in production to support existing customers, but TI does not recommend using this part in a new design.

**PREVIEW:** Device has been announced but is not in production. Samples may or may not be available.

**OBSOLETE:** TI has discontinued the production of the device.

(2) **RoHS:** TI defines "RoHS" to mean semiconductor products that are compliant with the current EU RoHS requirements for all 10 RoHS substances, including the requirement that RoHS substance do not exceed 0.1% by weight in homogeneous materials. Where designed to be soldered at high temperatures, "RoHS" products are suitable for use in specified lead-free processes. TI may reference these types of products as "Pb-Free".

**RoHS Exempt:** TI defines "RoHS Exempt" to mean products that contain lead but are compliant with EU RoHS pursuant to a specific EU RoHS exemption.

**Green:** TI defines "Green" to mean the content of Chlorine (Cl) and Bromine (Br) based flame retardants meet JS709B low halogen requirements of <=1000ppm threshold. Antimony trioxide based flame retardants must also meet the <=1000ppm threshold requirement.

(3) MSL, Peak Temp. - The Moisture Sensitivity Level rating according to the JEDEC industry standard classifications, and peak solder temperature.

(4) There may be additional marking, which relates to the logo, the lot trace code information, or the environmental category on the device.

(5) Multiple Device Markings will be inside parentheses. Only one Device Marking contained in parentheses and separated by a "-" will appear on a device. If a line is indented then it is a continuation of the previous line and the two combined represent the entire Device Marking for that device.

(6) Lead finish/Ball material - Orderable Devices may have multiple material finish options. Finish options are separated by a vertical ruled line. Lead finish/Ball material values may wrap to two lines if the finish value exceeds the maximum column width.

**Important Information and Disclaimer:** The information provided on this page represents TI's knowledge and belief as of the date that it is provided. TI bases its knowledge and belief on information provided by third parties, and makes no representation or warranty as to the accuracy of such information. Efforts are underway to better integrate information from third parties. TI has taken and continues to take reasonable steps to provide representative and accurate information but may not have conducted destructive testing or chemical analysis on incoming materials and chemicals. TI and TI suppliers consider certain information to be proprietary, and thus CAS numbers and other limited information may not be available for release.

In no event shall TI's liability arising out of such information exceed the total purchase price of the TI part(s) at issue in this document sold by TI to Customer on an annual basis.

**OTHER QUALIFIED VERSIONS OF TMP708-Q1 :**

- Catalog: [TMP708](#)

NOTE: Qualified Version Definitions:

- Catalog - TI's standard catalog product

## TAPE AND REEL INFORMATION



### QUADRANT ASSIGNMENTS FOR PIN 1 ORIENTATION IN TAPE



\*All dimensions are nominal

Device	Package Type	Package Drawing	Pins	SPQ	Reel Diameter (mm)	Reel Width W1 (mm)	A0 (mm)	B0 (mm)	K0 (mm)	P1 (mm)	W (mm)	Pin1 Quadrant
TMP708AQDBVRQ1	SOT-23	DBV	5	3000	178.0	9.0	3.3	3.2	1.4	4.0	8.0	Q3

TAPE AND REEL BOX DIMENSIONS



\*All dimensions are nominal

Device	Package Type	Package Drawing	Pins	SPQ	Length (mm)	Width (mm)	Height (mm)
TMP708AQDBVRQ1	SOT-23	DBV	5	3000	180.0	180.0	18.0



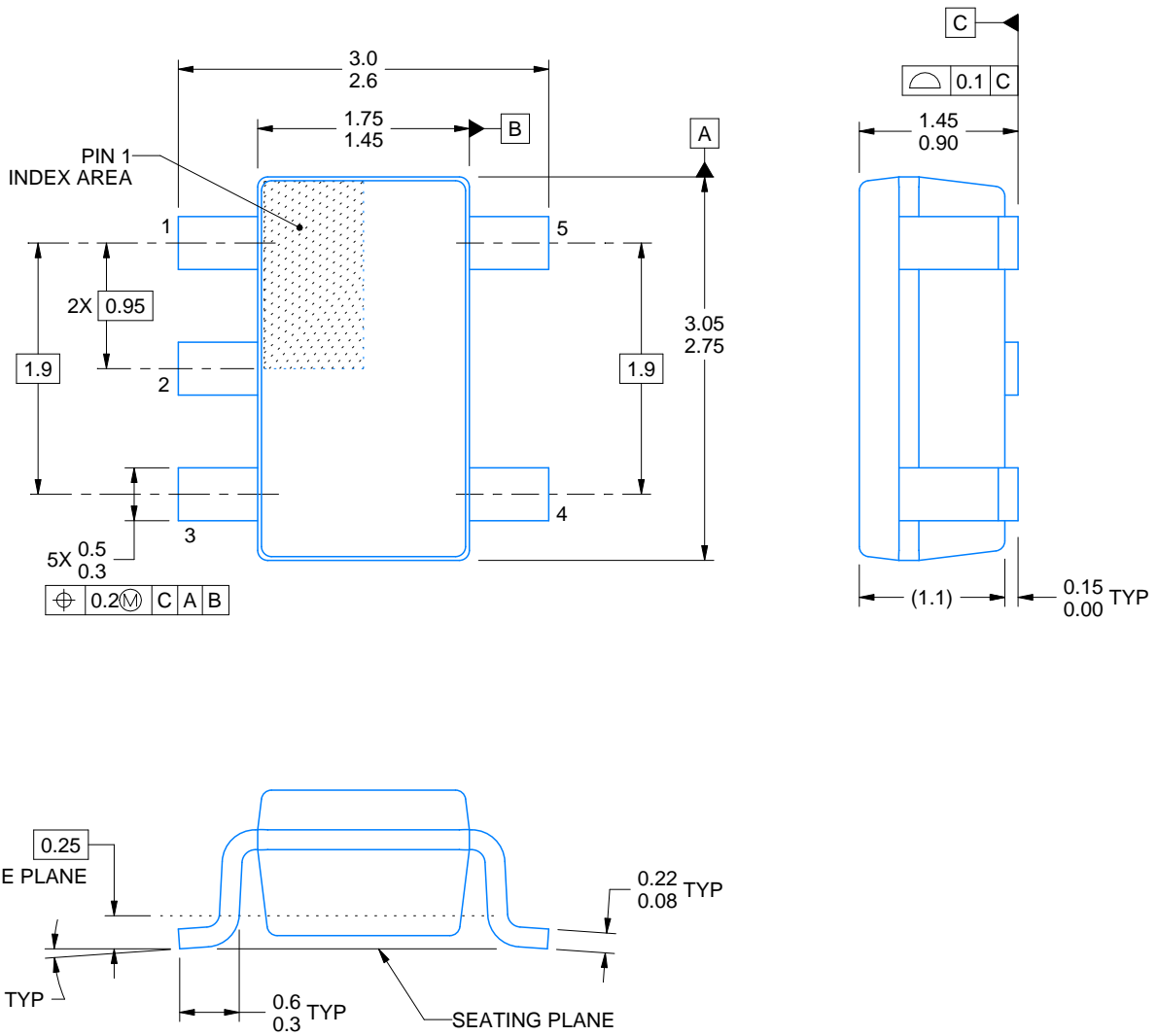
DBV0005A



# PACKAGE OUTLINE

SOT-23 - 1.45 mm max height

SMALL OUTLINE TRANSISTOR



4214839/E 09/2019

NOTES:

1. All linear dimensions are in millimeters. Any dimensions in parenthesis are for reference only. Dimensioning and tolerancing per ASME Y14.5M.
2. This drawing is subject to change without notice.
3. Reference JEDEC MO-178.
4. Body dimensions do not include mold flash, protrusions, or gate burrs. Mold flash, protrusions, or gate burrs shall not exceed 0.15 mm per side.

# EXAMPLE BOARD LAYOUT

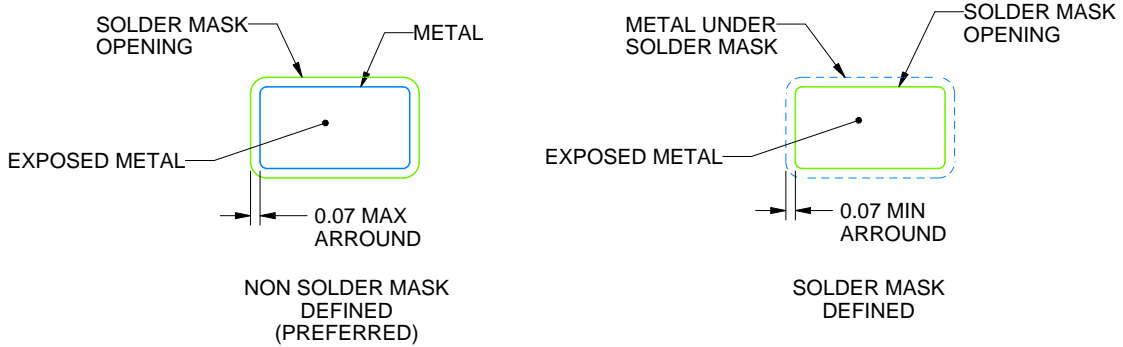
DBV0005A

SOT-23 - 1.45 mm max height

SMALL OUTLINE TRANSISTOR



LAND PATTERN EXAMPLE  
EXPOSED METAL SHOWN  
SCALE:15X



SOLDER MASK DETAILS

4214839/E 09/2019

NOTES: (continued)

- 5. Publication IPC-7351 may have alternate designs.
- 6. Solder mask tolerances between and around signal pads can vary based on board fabrication site.

# EXAMPLE STENCIL DESIGN

DBV0005A

SOT-23 - 1.45 mm max height

SMALL OUTLINE TRANSISTOR



SOLDER PASTE EXAMPLE  
BASED ON 0.125 mm THICK STENCIL  
SCALE:15X

4214839/E 09/2019

NOTES: (continued)

7. Laser cutting apertures with trapezoidal walls and rounded corners may offer better paste release. IPC-7525 may have alternate design recommendations.
8. Board assembly site may have different recommendations for stencil design.

## IMPORTANT NOTICE AND DISCLAIMER

TI PROVIDES TECHNICAL AND RELIABILITY DATA (INCLUDING DATASHEETS), DESIGN RESOURCES (INCLUDING REFERENCE DESIGNS), APPLICATION OR OTHER DESIGN ADVICE, WEB TOOLS, SAFETY INFORMATION, AND OTHER RESOURCES "AS IS" AND WITH ALL FAULTS, AND DISCLAIMS ALL WARRANTIES, EXPRESS AND IMPLIED, INCLUDING WITHOUT LIMITATION ANY IMPLIED WARRANTIES OF MERCHANTABILITY, FITNESS FOR A PARTICULAR PURPOSE OR NON-INFRINGEMENT OF THIRD PARTY INTELLECTUAL PROPERTY RIGHTS.

These resources are intended for skilled developers designing with TI products. You are solely responsible for (1) selecting the appropriate TI products for your application, (2) designing, validating and testing your application, and (3) ensuring your application meets applicable standards, and any other safety, security, or other requirements. These resources are subject to change without notice. TI grants you permission to use these resources only for development of an application that uses the TI products described in the resource. Other reproduction and display of these resources is prohibited. No license is granted to any other TI intellectual property right or to any third party intellectual property right. TI disclaims responsibility for, and you will fully indemnify TI and its representatives against, any claims, damages, costs, losses, and liabilities arising out of your use of these resources.

TI's products are provided subject to TI's Terms of Sale (<https://www.ti.com/legal/termsofsale.html>) or other applicable terms available either on [ti.com](https://www.ti.com) or provided in conjunction with such TI products. TI's provision of these resources does not expand or otherwise alter TI's applicable warranties or warranty disclaimers for TI products.

Mailing Address: Texas Instruments, Post Office Box 655303, Dallas, Texas 75265  
Copyright © 2021, Texas Instruments Incorporated