

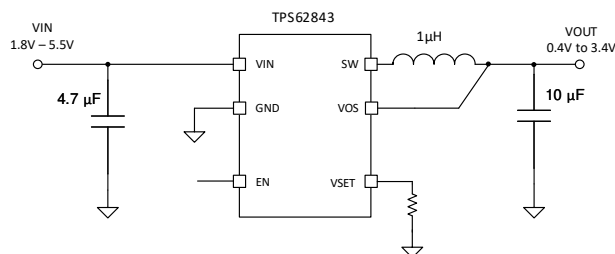
# TPS62843 1.8-V to 5.5-V, 600-mA, 275-nA $I_Q$ , Small Size Step-Down Converters

## 1 Features

- 1.8-V to 5.5-V input voltage range
- 0.4-V to 3.6-V output voltage range
- 275-nA typical quiescent current
- 600-mA output current
- 1% output voltage accuracy
- 20-nA typical shutdown current
- VSET pin-selectable output voltage through a single resistor
  - TPS628436: 0.4 V to 0.8 V
  - TPS628437: 0.8 V to 1.8 V
  - TPS628438: 1.8 V to 3.6 V
- Optimized for small passive components
  - 1- $\mu$ H inductor
  - Down to 4.7- $\mu$ F  $C_{OUT}$
- Low output voltage ripple in power save mode
- RF-friendly and fast transient DCS-Control
- Automatic transition to no ripple 100% mode
- 0603-inductor and 0402-capacitor size supported
- Tiny 6-pin, 0.35-mm pitch WCSP package with 0.84mm<sup>2</sup> size
- Pin-to-pin compatible to the TPS6280x family (1 A)

## 2 Applications

- [Wearable electronics](#)
- [Headsets/headphones and earbuds](#)
- [Mobile phones](#)
- [Medical sensor patches](#)
- [Hearing aid](#)



Typical Application

## 3 Description

The TPS62843 is a high efficiency step-down converter family with ultra-low operating quiescent current of typically 275 nA. It features a 4-nA shutdown (typical) current when disabled.

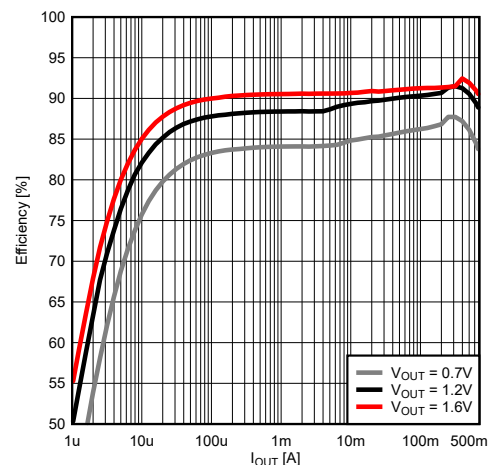
The device uses DCS-Control with a low and RF-friendly output voltage ripple to power radios.

The device operates with a typical switching frequency of 1.5 MHz and extends a high light-load efficiency down to 100- $\mu$ A load current and below.

18 pre-defined output voltages can be selected by connecting a resistor to the VSET pin, making the family usable across various applications with a minimum set of passive components.

### Device Information

Part Number	$V_{OUT}$ Range	Body Size (NOM)
TPS628436	0.4 V–0.8 V	0.8 mm × 1.05 mm × 0.4 mm
TPS628437	0.8 V–1.8 V	0.8 mm × 1.05 mm × 0.4 mm
TPS628438	1.8 V–3.6 V	0.8 mm × 1.05 mm × 0.4 mm



Efficiency vs Output Current at 3.6  $V_{IN}$



## Table of Contents

<b>1 Features</b> .....	<b>1</b>	<b>9 Application and Implementation</b> .....	<b>11</b>
<b>2 Applications</b> .....	<b>1</b>	9.1 Application Information.....	11
<b>3 Description</b> .....	<b>1</b>	9.2 Typical Application.....	11
<b>4 Revision History</b> .....	<b>2</b>	<b>10 Power Supply Recommendations</b> .....	<b>13</b>
<b>5 Device Comparison Table</b> .....	<b>3</b>	<b>11 Layout</b> .....	<b>13</b>
<b>6 Pin Configuration and Functions</b> .....	<b>3</b>	11.1 Layout Guidelines.....	13
<b>7 Specifications</b> .....	<b>4</b>	11.2 Layout Example.....	13
7.1 Absolute Maximum Ratings.....	4	<b>12 Device and Documentation Support</b> .....	<b>14</b>
7.2 ESD Ratings.....	4	12.1 Device Support.....	14
Recommended Operating Conditions.....	4	12.2 Receiving Notification of Documentation Updates..	14
7.3 Thermal Information.....	5	12.3 Support Resources.....	14
7.4 Electrical Characteristics.....	5	12.4 Trademarks.....	14
<b>8 Detailed Description</b> .....	<b>7</b>	12.5 Electrostatic Discharge Caution.....	14
8.1 Overview.....	7	12.6 Glossary.....	14
8.2 Functional Block Diagram.....	7	<b>13 Mechanical, Packaging, and Orderable</b>	
8.3 Feature Description.....	8	<b>Information</b> .....	<b>15</b>
8.4 Device Functional Modes.....	10		

## 4 Revision History

NOTE: Page numbers for previous revisions may differ from page numbers in the current version.

DATE	REVISION	NOTES
January 2022	*	Advance Information

## 5 Device Comparison Table

Device	Fixed $V_{OUT}$ $VSET = GND$	Selectable Output Voltages	$f_{sw}$ [MHz]	Soft Start $t_{SS}$	Inductor
TPS628436	Reserved	0.4V–0.8V in 25-mV steps	1.5	400 $\mu$ s	1 $\mu$ H
TPS628437	1.8 V	0.8V–1.6V in 50-mV steps	1.9	800 $\mu$ s	1 $\mu$ H
TPS628438	3.6 V	1.8V–3.4V in 100-mV steps	2.25	800 $\mu$ s	1 $\mu$ H

## 6 Pin Configuration and Functions

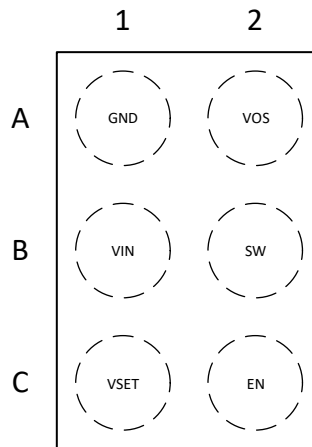


Figure 6-1. 6-Pin DSBGA YKA Package (Top View)

Table 6-1. Pin Functions

PIN		TYPE	DESCRIPTION
NAME	NO.		
GND	A1	PWR	GND supply pin. Connect this pin close to the GND terminal of the input and output capacitor.
VIN	B1	PWR	$V_{IN}$ power supply pin. Connect the input capacitor close to this pin for best noise and voltage spike suppression. A ceramic capacitor is required.
VSET	C1	I	Connecting a resistor to GND selects a pre-defined output voltage.
VOS	A2	I	Output voltage sense pin for the internal feedback divider network and regulation loop. This pin also discharges $V_{OUT}$ by an internal MOSFET when the converter is disabled. Connect this pin directly to the output capacitor with a short trace.
SW	B2	O	The switch pin is connected to the internal MOSFET switches. Connect the inductor to this terminal.
EN	C2	I	A high level enables the devices and a low level turns the device off. The pin features an internal pull-down resistor, which is disabled once the device has started up.

## 7 Specifications

### 7.1 Absolute Maximum Ratings

Over operating junction temperature range (unless otherwise noted) <sup>(1)</sup>

		MIN	MAX	UNIT
Pin voltage	V <sub>IN</sub>	-0.3	6	V
Pin voltage	SW, DC	-0.3	V <sub>IN</sub> + 0.3 V	V
Pin voltage	SW, transient < 10 ns, while switching	-2.5	9	V
Pin voltage	V <sub>IN</sub> – SW, DC	—		V
Pin voltage	EN, VSET	-0.3	6	V
Pin voltage	VOS	-0.3	5	V
T <sub>J</sub>	Operating junction temperature	-40	150	°C
T <sub>stg</sub>	Storage temperature	-55	150	°C

- (1) Operation outside the *Absolute Maximum Ratings* may cause permanent device damage. *Absolute Maximum Ratings* do not imply functional operation of the device at these or any other conditions beyond those listed under *Recommended Operating Conditions*. If used outside the *Recommended Operating Conditions* but within the *Absolute Maximum Ratings*, the device may not be fully functional, and this may affect device reliability, functionality, performance, and shorten the device lifetime.

### 7.2 ESD Ratings

			VALUE	UNIT
V <sub>(ESD)</sub>	Electrostatic discharge	Human-body model (HBM), per ANSI/ESDA/JEDEC JS-001 <sup>(1)</sup>	±2000	V
		Charged device model (CDM), per ANSI/ESDA/JEDEC JS-002 <sup>(2)</sup>	±500	

- (1) JEDEC document JEP155 states that 500-V HBM allows safe manufacturing with a standard ESD control process.  
 (2) JEDEC document JEP157 states that 250-V CDM allows safe manufacturing with a standard ESD control process.

### Recommended Operating Conditions

		MIN	NOM	MAX	UNIT
V <sub>IN</sub>	Supply voltage, V <sub>IN</sub>	1.8		5.5	V
I <sub>OUT</sub>	Output current			0.6	A
L	Effective inductance	0.7	1.0	1.2	μH
C <sub>OUT</sub>	Effective output capacitance	4		25	μF
C <sub>IN</sub>	Effective input capacitance	0.5	4.7		μF
R <sub>SET</sub>	Resistance range for external resistor at VSET pin (E96 1% resistor values)	4.87		124	kΩ
	External resistor tolerance E96 series at VSET pin			1%	
	E96 resistor series temperature coefficient (TCR)	-200		+200	ppm/°C
T <sub>J</sub>	Operating junction temperature range	-40		125	°C

### 7.3 Thermal Information

THERMAL METRIC		YKA (DSBGA)	UNIT
		6 PINS	
R <sub>θJA</sub>	Junction-to-ambient thermal resistance	147.7	°C/W
R <sub>θJC(top)</sub>	Junction-to-case (top) thermal resistance	1.7	°C/W
R <sub>θJB</sub>	Junction-to-board thermal resistance	47.5	°C/W
ψ <sub>JT</sub>	Junction-to-top characterization parameter	0.5	°C/W
ψ <sub>JB</sub>	Junction-to-board characterization parameter	47.6	°C/W
R <sub>θJC(bot)</sub>	Junction-to-case (bottom) thermal resistance	—	°C/W

### 7.4 Electrical Characteristics

T<sub>J</sub> = –40°C to +125°C, V<sub>IN</sub> = 1.8 V to 5.5 V. Typical values are at T<sub>J</sub> = 25°C and V<sub>IN</sub> = 3.6 V (unless otherwise noted)

PARAMETER		TEST CONDITIONS	MIN	TYP	MAX	UNIT
<b>SUPPLY</b>						
I <sub>Q</sub>	Operating quiescent current (power save mode)	Nonswitching, V <sub>EN</sub> = V <sub>IN</sub> , I <sub>OUT</sub> = 0 μA, T <sub>J</sub> = –40°C to 85°C		275	1500	nA
		Switching, V <sub>EN</sub> = V <sub>IN</sub> , I <sub>OUT</sub> = 0 μA, V <sub>OUT</sub> = 0.7 V		350		nA
I <sub>SD</sub>	Shutdown current	V <sub>EN</sub> = 0 V, V <sub>SET</sub> = GND, T <sub>J</sub> = –40°C to 85°C		4	850	nA
<b>UVLO</b>						
V <sub>UVLO(R)</sub>	Undervoltage lockout rising threshold	V <sub>IN</sub> rising		1.75	1.8	V
V <sub>UVLO(F)</sub>	Undervoltage lockout falling threshold	V <sub>IN</sub> falling		1.65	1.7	V
V <sub>UVLO(H)</sub>	Undervoltage lockout hysteresis			100		mV
<b>VSET PIN</b>						
V <sub>SET(LKG)</sub>	VSET input leakage current	T <sub>J</sub> = –40°C to 85°C		10	800	nA
V <sub>SET(H)</sub>	VSET high-level detection	Voltage at VSET during start-up		1.0		V
R <sub>SET</sub>	RSET accuracy		–4%		4%	
<b>ENABLE</b>						
V <sub>EN(R)</sub>	EN voltage rising threshold	EN rising, enable switching	0.8			V
V <sub>EN(F)</sub>	EN voltage falling threshold	EN falling, disable switching			0.4	V
V <sub>EN(LKG)</sub>	EN input leakage current	V <sub>EN</sub> > 0.8 V, T <sub>J</sub> = –40°C to 85°C		1	25	nA
R <sub>EN,PD</sub>	EN internal pulldown resistance	EN pin to GND	425	500		kΩ
<b>VOUT VOLTAGE</b>						
V <sub>OUT</sub>	DC output voltage accuracy	PWM operation	–1%		+1%	
V <sub>OUT</sub>	TPS628436		0.4		0.8	V
	TPS628437		0.8		1.8	V
	TPS628438		1.8		3.6	V
I <sub>VOS(LKG)</sub>	VOS input leakage current	TPS628436, V <sub>EN</sub> = V <sub>IN</sub> , V <sub>VOS</sub> = 0.7 V, T <sub>J</sub> = –40°C to 85°C				nA
		TPS628437, V <sub>EN</sub> = V <sub>IN</sub> , V <sub>VOS</sub> = 1.2 V, T <sub>J</sub> = –40°C to 85°C		100	400	nA
		TPS628438, V <sub>EN</sub> = V <sub>IN</sub> , V <sub>VOS</sub> = 3.3 V, T <sub>J</sub> = –40°C to 85°C				
f <sub>sw</sub>	TPS628436	I <sub>OUT</sub> = 400 mA		1.5		MHz
	TPS628437	I <sub>OUT</sub> = 400 mA		1.9		MHz
	TPS628438	I <sub>OUT</sub> = 400 mA		2.25		MHz
<b>STARTUP</b>						
t <sub>SS</sub>	TPS628436 soft-start time	From V <sub>OUT</sub> = 0% to V <sub>OUT</sub> = 95% of V <sub>OUT</sub> nominal		0.4	0.6	ms
	TPS628438 soft-start time			1.0	1.4	
	TPS628437 soft-start time			0.7	1.0	
	EN HIGH to start of switching delay	R2D = GND		250	460	μs
<b>POWER STAGE</b>						

## 7.4 Electrical Characteristics (continued)

$T_J = -40^{\circ}\text{C}$  to  $+125^{\circ}\text{C}$ ,  $V_{IN} = 1.8\text{ V}$  to  $5.5\text{ V}$ . Typical values are at  $T_J = 25^{\circ}\text{C}$  and  $V_{IN} = 3.6\text{ V}$  (unless otherwise noted)

PARAMETER		TEST CONDITIONS	MIN	TYP	MAX	UNIT
$R_{DS(on)(HS)}$	High-side MOSFET on-resistance	$V_{IN} = 3.6\text{ V}$ , $I_{OUT} = 300\text{ mA}$		170	260	m $\Omega$
$R_{DS(on)(LS)}$	Low-side MOSFET on-resistance	$V_{IN} = 3.6\text{ V}$ , $I_{OUT} = 300\text{ mA}$		70	105	m $\Omega$
	Leakage current into the SW pin	$V_{SW} = 0.7\text{ V}$ , $T_J = -40^{\circ}\text{C}$ to $85^{\circ}\text{C}$		0	25	nA
	Leakage current into the SW pin	$V_{SW} = 1.2\text{ V}$ , $T_J = -40^{\circ}\text{C}$ to $85^{\circ}\text{C}$		0	25	nA
	Leakage current into the SW pin	$V_{VIN} > V_{SW}$ , $V_{SW} = 3.3\text{ V}$ , $T_J = -40^{\circ}\text{C}$ to $85^{\circ}\text{C}$		0	30	nA
<b>OVERCURRENT PROTECTION</b>						
$I_{HS(OC)}$	High-side peak current limit	Peak current limit on HS FET	0.9	1.1	1.3	A
$I_{LS(OC)}$	Low-side valley current limit	Valley current limit on LS FET	0.8	1.0	1.1	A
<b>OUTPUT DISCHARGE</b>						
	Output discharge resistor on the VOS pin	$V_{EN} = \text{GND}$ , $I(\text{VOS}) = -10\text{ mA}$		7	17	$\Omega$
<b>THERMAL SHUTDOWN</b>						
$T_{J(SD)}$	Thermal shutdown threshold	Temperature rising		160		$^{\circ}\text{C}$
$T_{J(HYS)}$	Thermal shutdown hysteresis			20		$^{\circ}\text{C}$

## 8 Detailed Description

### 8.1 Overview

The TPS62843 is a high-frequency, synchronous step-down converter with ultra-low quiescent current of typically 275 nA in a 0.84-mm<sup>2</sup> chip size. The device operates with a tiny 1-μH inductor and 10-μF output capacitor over the entire recommended operation range to provide one of the industry's smallest chip and solution size.

Using TI's DCS-Control topology, the device extends the high efficiency operation area down to microamperes of load current during power save mode operation. TI's DCS-Control (Direct Control with Seamless Transition into power save mode) is an advanced regulation topology that combines the advantages of hysteretic and voltage mode control. Characteristics of DCS-Control are excellent AC load regulation and transient response, low output ripple voltage, and a seamless transition between PFM and PWM mode operation. DCS-Control includes an AC loop that senses the output voltage (VOS pin) and directly feeds the information to a fast comparator stage. This comparator sets the switching frequency, which is constant for steady state operating conditions, and provides immediate response to dynamic load changes. To achieve accurate DC load regulation, a voltage feedback loop is used. The internally compensated regulation network achieves fast and stable operation with small external components and low-ESR capacitors.

### 8.2 Functional Block Diagram

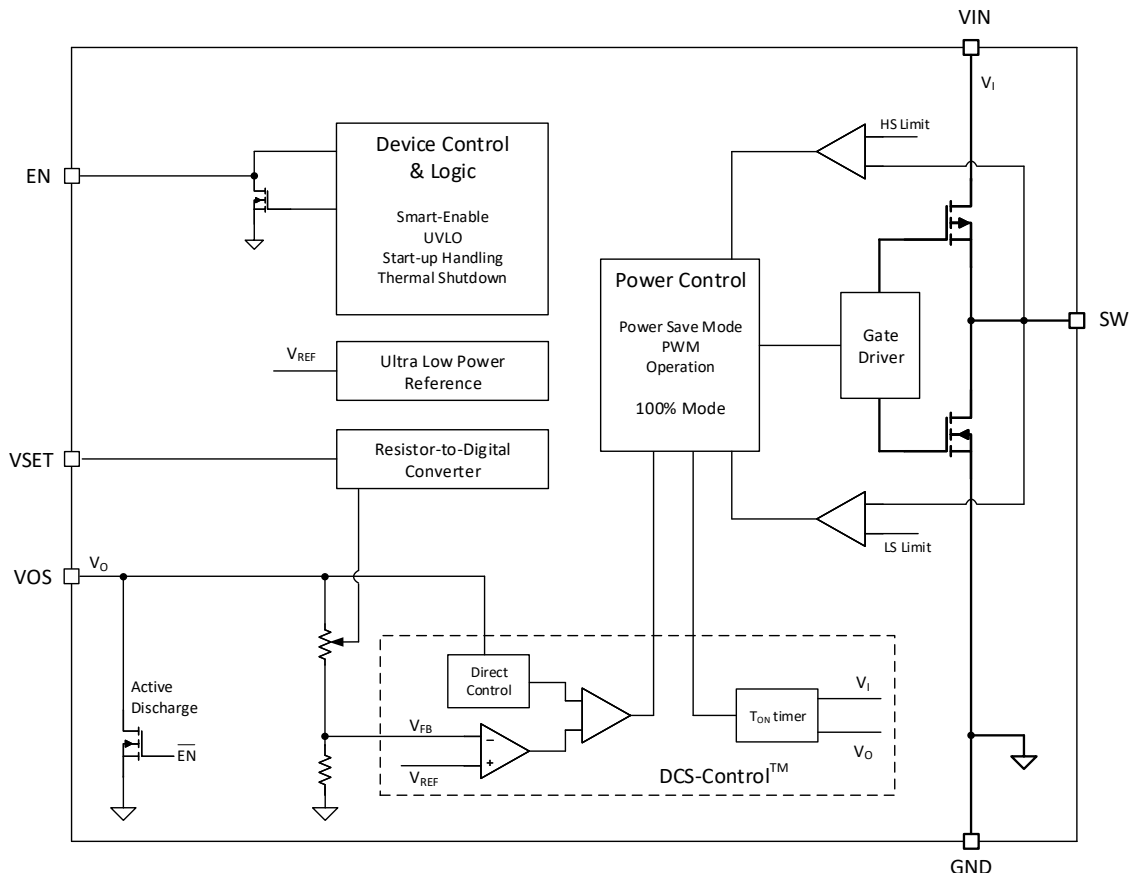


Figure 8-1. Functional Block Diagram

ADVANCE INFORMATION

## 8.3 Feature Description

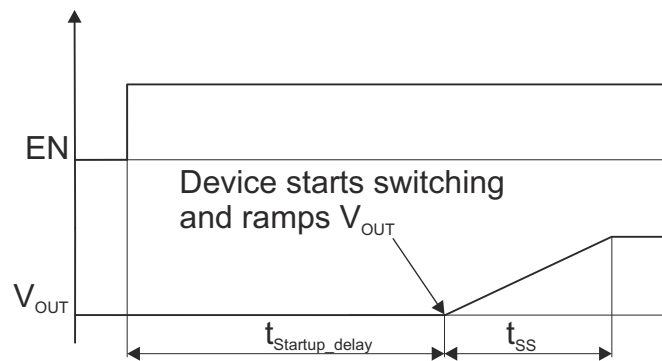
### 8.3.1 Smart Enable and Shutdown (EN)

An internal 500-kΩ resistor pulls the EN pin to GND and avoids floating the pin. This prevents an uncontrolled start-up of the device in case the EN pin cannot be driven to low level safely. With EN low, the device is in shutdown mode. The device is turned on with EN set to a high level. The pulldown control circuit disconnects the pulldown resistor on the EN pin once the internal control logic and the reference have been powered up. With EN set to a low level, the device enters shutdown mode and the pulldown resistor is activated again.

### 8.3.2 Soft Start

Once the device has been enabled with EN high, it initializes and powers up its internal circuits. This occurs during the regulator start-up delay time,  $t_{\text{Startup\_delay}}$ . Once  $t_{\text{Startup\_delay}}$  expires, the internal soft-start circuitry ramps up the output voltage within the soft-start time,  $t_{\text{SS}}$ . See [Figure 8-2](#).

The start-up delay time,  $t_{\text{Startup\_delay}}$ , varies depending on the selected VSEL value. It is shortest with VSEL = 0 and longest with VSEL = 16.



**Figure 8-2. Device Start-Up**

### 8.3.3 VSET Pin

This pin is used to define the output voltage selection during start-up of the converter. See [Section 5](#).

### 8.3.4 VSET Pin: Output Voltage Selection

The output voltage is set with a single external resistor connected between the VSET pin and GND. Once the device has been enabled and the control logic as well as the internal reference have been powered up, a R2D (resistor-to-digital) conversion is started to detect the external resistor,  $R_{\text{VSET}}$ , within the regulator start-up delay time,  $t_{\text{Startup\_delay}}$ . An internal current source applies current through the external resistor and an internal ADC reads back the resulting voltage level. Depending on the level, an internal feedback divider network is selected to set the correct output voltage. Once this R2D conversion is finished, the current source is turned off to avoid current flow through the external resistor. The circuit can detect resistive values, high-level, low-level, and a pin-open.

For a proper reading, ensure that there is no additional current path or capacitance greater than 30 pF total to GND during R2D conversion. Otherwise, the additional current to GND is interpreted as a lower resistor value and a false output voltage is set. [Table 8-1](#) lists the correct resistor values for  $R_{\text{VSEL}}$  to set the appropriate output voltages. The R2D converter is designed to operate with resistor values out of the E96 table and requires 1% resistor value accuracy. The external resistor  $R_{\text{SET}}$  is not a part of the regulator feedback loop and has therefore no impact on the output voltage accuracy. Ensure that there is no other leakage path than the  $R_{\text{VSET}}$  resistor at the VSET pin during an undervoltage lockout event. Otherwise, a false output voltage is set.

**Table 8-1. Output Voltage Setting**

VSET	Output Voltage Setting [V]			$R_{\text{SET}}$ [Ω]
	TPS628436	TPS628437	TPS628438	
1	0.400	0.80	1.8	10.0 k



**Table 8-1. Output Voltage Setting (continued)**

VSET	Output Voltage Setting [V]			R <sub>SET</sub> [Ω]
	TPS628436	TPS628437	TPS628438	
2	0.425	0.85	1.9	12.1 k
3	0.450	0.90	2.0	15.4 k
4	0.475	0.95	2.1	18.7 k
5	0.500	1.00	2.2	23.7 k
6	0.525	1.05	2.3	28.7 k
7	0.550	1.10	2.4	36.5 k
8	0.575	1.15	2.5	44.2 k
9	0.600	1.20	2.6	56.2 k
10	0.625	1.25	2.7	68.1 k
11	0.650	1.30	2.8	86.6 k
12	0.675	1.35	2.9	105.0 k
13	0.700	1.40	3.0	133.0 k
14	0.725	1.45	3.1	162.0 k
15	0.750	1.50	3.2	205.0 k
16	0.775	1.55	3.3	249.0 k or larger
17	0.8	1.6	3.4	V <sub>IN</sub>
0	Reserved (contact T1)	1.8	3.6	GND

### 8.3.5 Undervoltage Lockout (UVLO)

To avoid misoperation of the device at low input voltages, an undervoltage lockout (UVLO) comparator monitors the supply voltage. The UVLO comparator shuts down the device at an input voltage of 1.7 V (maximum) with falling V<sub>IN</sub>. The device starts at an input voltage of 1.8 V (maximum) rising V<sub>IN</sub>. Once the device re-enters operation out of an undervoltage lockout condition, it behaves like it does being enabled. The internal control logic is powered up and the external resistor at the VSET pin is read out.

### 8.3.6 Switch Current Limit/Short Circuit Protection

The TPS62843 integrates a current limit on the high-side and low-side MOSFETs to protect the device against overload or short circuit conditions. The current in the switches is monitored cycle by cycle. If the high-side MOSFET current limit, I<sub>LIMF</sub> trips, the high-side MOSFET is turned off and the low-side MOSFET is turned on to ramp down the inductor current. Once the inductor current through the low-side switch decreases beneath the low-side MOSFET current limit, I<sub>LIMF</sub>, the low-side MOSFET is turned off and the high-side MOSFET turns on again.

### 8.3.7 Thermal Shutdown

The junction temperature (T<sub>J</sub>) of the device is monitored by an internal temperature sensor. If T<sub>J</sub> exceeds the thermal shutdown temperature, T<sub>SD</sub>, of 160°C (typical), the device enters thermal shutdown. Both the high-side and low-side power FETs are turned off. When T<sub>J</sub> decreases below the hysteresis amount of typically 20°C, the converter resumes operation, beginning with a soft start to the originally set V<sub>OUT</sub> (there is no R2D conversion of R<sub>VSEL</sub>). The thermal shutdown is not active in power save mode.

### 8.3.8 Output Voltage Discharge

The purpose of the output discharge function is to ensure a defined down-ramp of the output voltage when the device is disabled and to keep the output voltage close to 0 V.

The internal discharge resistor is connected to the VOS pin. The discharge function is enabled as soon as the device is disabled. The minimum supply voltage required to keep the discharge function active is V<sub>IN</sub> > V<sub>TH\_UVLO</sub>.

## 8.4 Device Functional Modes

### 8.4.1 Power Save Mode Operation

The DCS-Control topology supports power save mode operation. At light loads, the device operates in PFM (pulse frequency modulation) mode that generates a single switching pulse to ramp up the inductor current and recharge the output capacitor, followed by a sleep period where most of the internal circuits are shut down to achieve the lowest operating quiescent current. During this time, the load current is supported by the output capacitor. The duration of the sleep period depends on the load current and the inductor peak current. During the sleep periods, the current consumption is reduced to typically 275 nA. This low quiescent current consumption is achieved by an ultra-low power voltage reference, an integrated high impedance feedback divider network, and an optimized power save mode operation.

In PFM mode, the switching frequency varies linearly with the load current. At medium and high load conditions, the device enters automatically PWM (pulse width modulation) mode and operates in continuous conduction mode with a nominal switch frequency  $f_{sw}$  of typically 1.5 MHz (TPS628436), 1.9 MHz (TPS628437), or 2.25 MHz (TPS628438). The switching frequency in PWM mode is controlled and depends on  $V_{IN}$  and  $V_{OUT}$ . The boundary between PWM and PFM mode is when the inductor current becomes discontinuous.

If the load current decreases, the converter seamlessly enters PFM mode to maintain high efficiency down to very light loads. Since DCS-Control supports both operation modes within one single building block, the transition from PWM to PFM mode is seamless with minimum output voltage ripple.

### 8.4.2 100% Mode Operation

The duty cycle of the buck converter operating in PWM mode is given as  $D = V_{OUT}/V_{IN}$ . The duty cycle increases as the input voltage comes close to the output voltage. In 100% duty cycle mode, the device keeps the high-side switch on continuously. The high-side switch stays turned on as long as the output voltage is below the internal set point. This allows the conversion of small input to output voltage differences.

## 9 Application and Implementation

### Note

Information in the following applications sections is not part of the TI component specification, and TI does not warrant its accuracy or completeness. TI's customers are responsible for determining suitability of components for their purposes, as well as validating and testing their design implementation to confirm system functionality.

### 9.1 Application Information

The following sections discuss the design of the external components to complete the power supply design for several input and output voltage options by using typical applications as a reference.

### 9.2 Typical Application

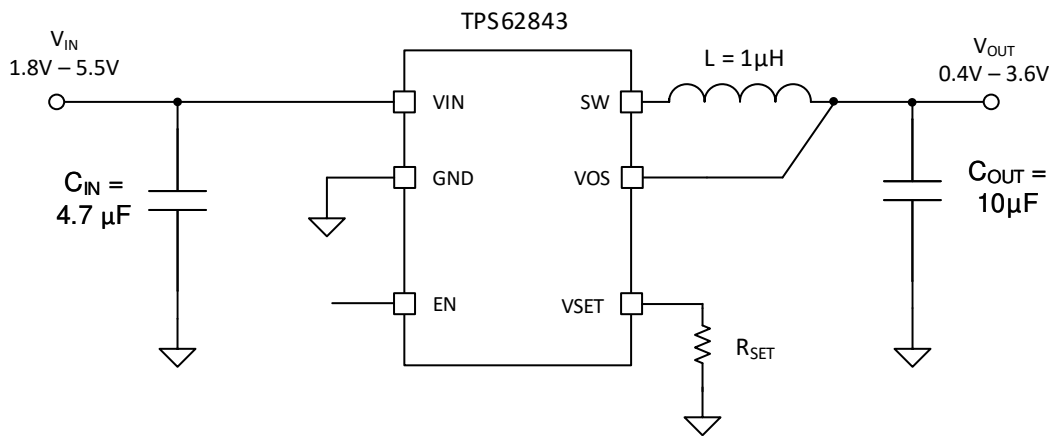


Figure 9-1. TPS62843 Typical Application Circuit

#### 9.2.1 Design Requirements

Table 9-1 shows the list of components for the application circuit and the characteristic application curves.

Table 9-1. Components for Application Characteristic Curves

Reference	Description	Value	Size code Inch [metric L × W × T]	Manufacturer
TPS628436/ TPS628437/ TPS628438	275 nA-I <sub>Q</sub> Buck Converter		[1.05 × 0.8 × 0.4 mm]	TI
C <sub>IN</sub>	Ceramic Capacitor GRM155R60J475ME47D	4.7 µF	0402 [1.0 × 0.5 × 0.5 mm]	Murata
L	Inductor DFE201610-1R0M	1 µH	0806 [2.0 × 1.6 × 1.0 mm]	Murata
C <sub>OUT</sub>	Ceramic Capacitor GRM155R60J106ME15D	10 µF	0402 [1.0 × 0.5 × 0.5 mm]	Murata
R <sub>SET</sub>	See voltage setting table		0402 [1.0 × 0.5 × 0.5 mm]	

#### 9.2.2 Detailed Design Procedure

Follow the passive component selection per the typical application circuit.

### 9.2.3 Application Curves

ADVANCE INFORMATION

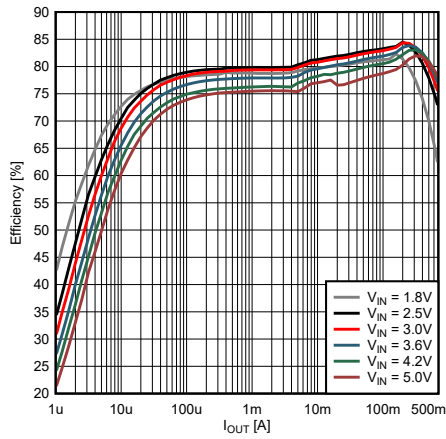


Figure 9-2. Efficiency at 0.4 V<sub>OUT</sub>

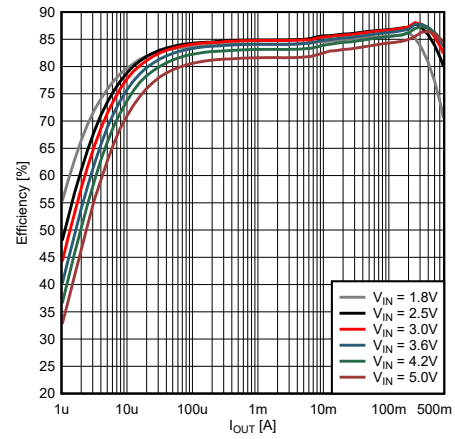


Figure 9-3. Efficiency at 0.7 V<sub>OUT</sub>

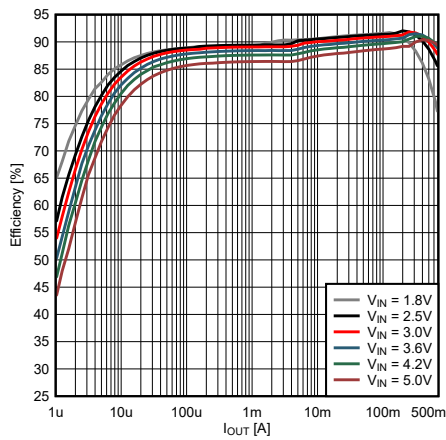


Figure 9-4. Efficiency at 1.2 V<sub>OUT</sub>

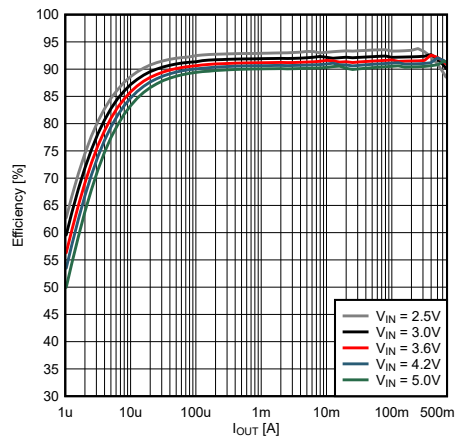


Figure 9-5. Efficiency at 1.8 V<sub>OUT</sub>

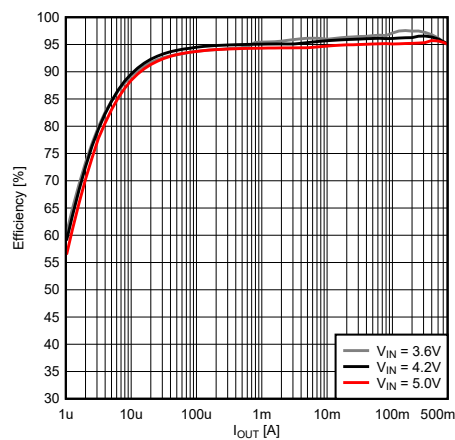


Figure 9-6. Efficiency at 3.3 V<sub>OUT</sub>

## 10 Power Supply Recommendations

The power supply must provide a current rating according to the supply voltage, output voltage, and output current of the TPS62843.

## 11 Layout

### 11.1 Layout Guidelines

The pinout of TPS62843 has been optimized to enable a single top layer PCB routing of the IC and its critical passive components such as C<sub>IN</sub>, C<sub>OUT</sub>, and L. Furthermore, this pin out allows the user to connect tiny components such as 0201 (0603) size capacitors and 0402 (1005) size inductors. A solution size smaller than 5 mm<sup>2</sup> can be achieved with a fixed output voltage. As for all switching power supplies, the layout is an important step in the design. Care must be taken in board layout to get the specified performance. It is critical to provide a low inductance, low impedance ground path. Therefore, use wide and short traces for the main current paths. Place the input capacitor as close as possible to the VIN of the IC and GND pins. This is the most critical component placement. The VOS line is a sensitive, high impedance line and must be connected to the output capacitor and routed away from noisy components and traces (for example, the SW line) or other noise sources.

### 11.2 Layout Example

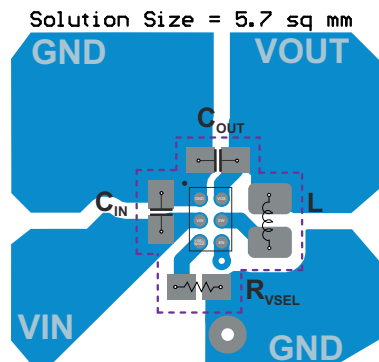


Figure 11-1. Layout Example

## 12 Device and Documentation Support

TI offers an extensive line of development tools. Tools and software to evaluate the performance of the device, generate code, and develop solutions are listed below.

### 12.1 Device Support

#### 12.1.1 Third-Party Products Disclaimer

TI'S PUBLICATION OF INFORMATION REGARDING THIRD-PARTY PRODUCTS OR SERVICES DOES NOT CONSTITUTE AN ENDORSEMENT REGARDING THE SUITABILITY OF SUCH PRODUCTS OR SERVICES OR A WARRANTY, REPRESENTATION OR ENDORSEMENT OF SUCH PRODUCTS OR SERVICES, EITHER ALONE OR IN COMBINATION WITH ANY TI PRODUCT OR SERVICE.

#### 12.2 Receiving Notification of Documentation Updates

To receive notification of documentation updates, navigate to the device product folder on [ti.com](http://ti.com). Click on *Subscribe to updates* to register and receive a weekly digest of any product information that has changed. For change details, review the revision history included in any revised document.

#### 12.3 Support Resources

TI E2E™ [support forums](#) are an engineer's go-to source for fast, verified answers and design help — straight from the experts. Search existing answers or ask your own question to get the quick design help you need.

Linked content is provided "AS IS" by the respective contributors. They do not constitute TI specifications and do not necessarily reflect TI's views; see TI's [Terms of Use](#).

#### 12.4 Trademarks

TI E2E™ is a trademark of Texas Instruments.  
All trademarks are the property of their respective owners.

#### 12.5 Electrostatic Discharge Caution



This integrated circuit can be damaged by ESD. Texas Instruments recommends that all integrated circuits be handled with appropriate precautions. Failure to observe proper handling and installation procedures can cause damage.

ESD damage can range from subtle performance degradation to complete device failure. Precision integrated circuits may be more susceptible to damage because very small parametric changes could cause the device not to meet its published specifications.

#### 12.6 Glossary

[TI Glossary](#) This glossary lists and explains terms, acronyms, and definitions.

## 13 Mechanical, Packaging, and Orderable Information

The following pages include mechanical, packaging, and orderable information. This information is the most current data available for the designated devices. This data is subject to change without notice and revision of this document. For browser-based versions of this data sheet, refer to the left-hand navigation.

**PACKAGING INFORMATION**

Orderable Device	Status (1)	Package Type	Package Drawing	Pins	Package Qty	Eco Plan (2)	Lead finish/ Ball material (6)	MSL Peak Temp (3)	Op Temp (°C)	Device Marking (4/5)	Samples
XPS628436YKAR	ACTIVE	DSBGA	YKA	6	3000	TBD	Call TI	Call TI	-40 to 125		<a href="#">Samples</a>
XPS628437YKAR	ACTIVE	DSBGA	YKA	6	3000	TBD	Call TI	Call TI	-40 to 125		<a href="#">Samples</a>
XPS628438YKAR	ACTIVE	DSBGA	YKA	6	3000	TBD	Call TI	Call TI	-40 to 125		<a href="#">Samples</a>

(1) The marketing status values are defined as follows:

**ACTIVE:** Product device recommended for new designs.

**LIFEBUY:** TI has announced that the device will be discontinued, and a lifetime-buy period is in effect.

**NRND:** Not recommended for new designs. Device is in production to support existing customers, but TI does not recommend using this part in a new design.

**PREVIEW:** Device has been announced but is not in production. Samples may or may not be available.

**OBSOLETE:** TI has discontinued the production of the device.

(2) **RoHS:** TI defines "RoHS" to mean semiconductor products that are compliant with the current EU RoHS requirements for all 10 RoHS substances, including the requirement that RoHS substance do not exceed 0.1% by weight in homogeneous materials. Where designed to be soldered at high temperatures, "RoHS" products are suitable for use in specified lead-free processes. TI may reference these types of products as "Pb-Free".

**RoHS Exempt:** TI defines "RoHS Exempt" to mean products that contain lead but are compliant with EU RoHS pursuant to a specific EU RoHS exemption.

**Green:** TI defines "Green" to mean the content of Chlorine (Cl) and Bromine (Br) based flame retardants meet JS709B low halogen requirements of <=1000ppm threshold. Antimony trioxide based flame retardants must also meet the <=1000ppm threshold requirement.

(3) MSL, Peak Temp. - The Moisture Sensitivity Level rating according to the JEDEC industry standard classifications, and peak solder temperature.

(4) There may be additional marking, which relates to the logo, the lot trace code information, or the environmental category on the device.

(5) Multiple Device Markings will be inside parentheses. Only one Device Marking contained in parentheses and separated by a "~" will appear on a device. If a line is indented then it is a continuation of the previous line and the two combined represent the entire Device Marking for that device.

(6) Lead finish/Ball material - Orderable Devices may have multiple material finish options. Finish options are separated by a vertical ruled line. Lead finish/Ball material values may wrap to two lines if the finish value exceeds the maximum column width.

**Important Information and Disclaimer:**The information provided on this page represents TI's knowledge and belief as of the date that it is provided. TI bases its knowledge and belief on information provided by third parties, and makes no representation or warranty as to the accuracy of such information. Efforts are underway to better integrate information from third parties. TI has taken and continues to take reasonable steps to provide representative and accurate information but may not have conducted destructive testing or chemical analysis on incoming materials and chemicals. TI and TI suppliers consider certain information to be proprietary, and thus CAS numbers and other limited information may not be available for release.



In no event shall TI's liability arising out of such information exceed the total purchase price of the TI part(s) at issue in this document sold by TI to Customer on an annual basis.

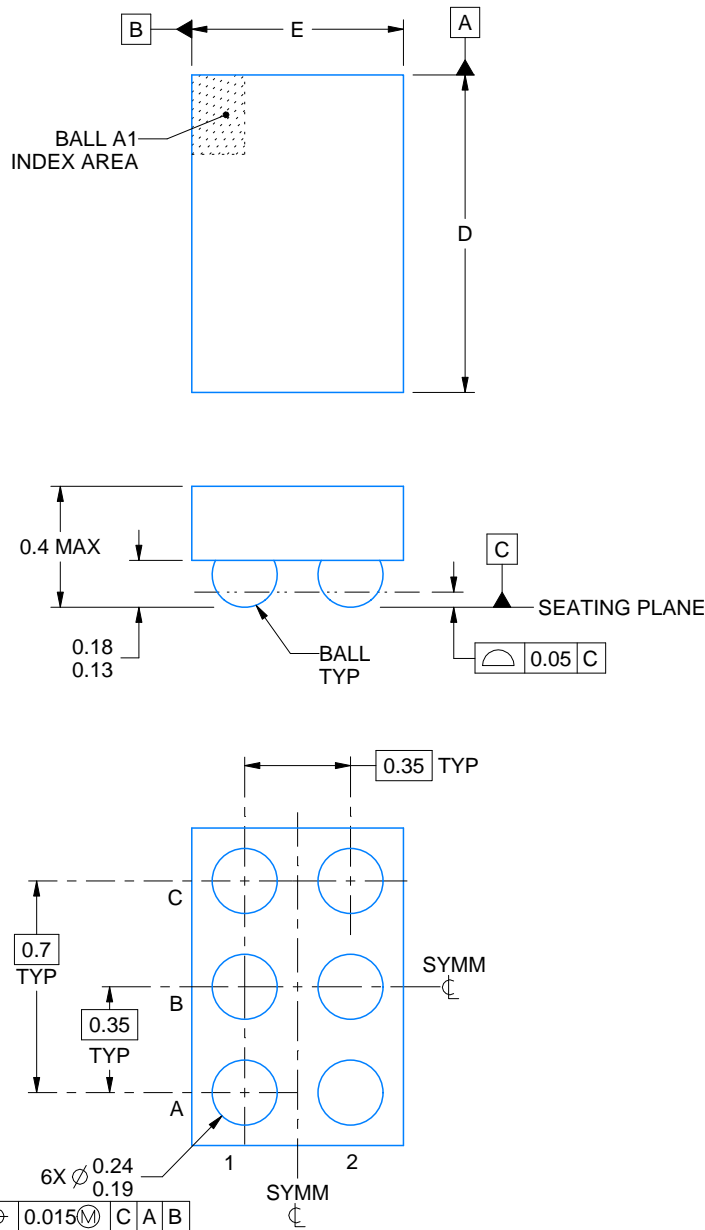
YKA0006



# PACKAGE OUTLINE

DSBGA - 0.4 mm max height

DIE SIZE BALL GRID ARRAY



4223607/A 03/2017

NOTES:

NanoFree is a trademark of Texas Instruments.

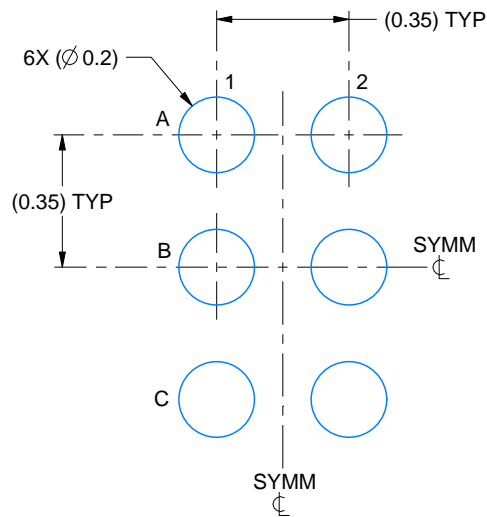
1. All linear dimensions are in millimeters. Any dimensions in parenthesis are for reference only. Dimensioning and tolerancing per ASME Y14.5M.
2. This drawing is subject to change without notice.
3. NanoFree™ package configuration.

# EXAMPLE BOARD LAYOUT

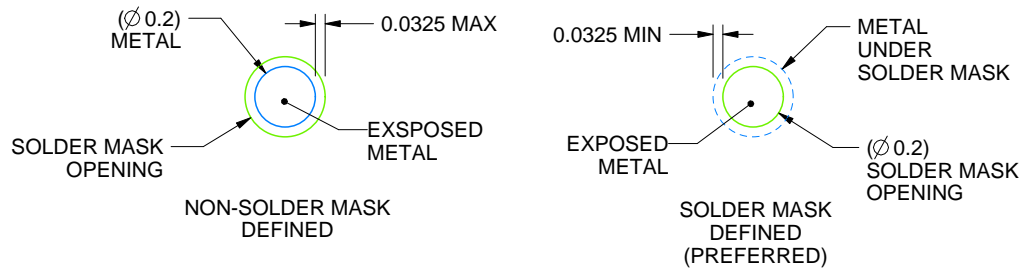
YKA0006

DSBGA - 0.4 mm max height

DIE SIZE BALL GRID ARRAY



LAND PATTERN EXAMPLE  
EXPOSED METAL SHOWN  
SCALE:50X



SOLDER MASK DETAILS  
NOT TO SCALE

4223607/A 03/2017

NOTES: (continued)

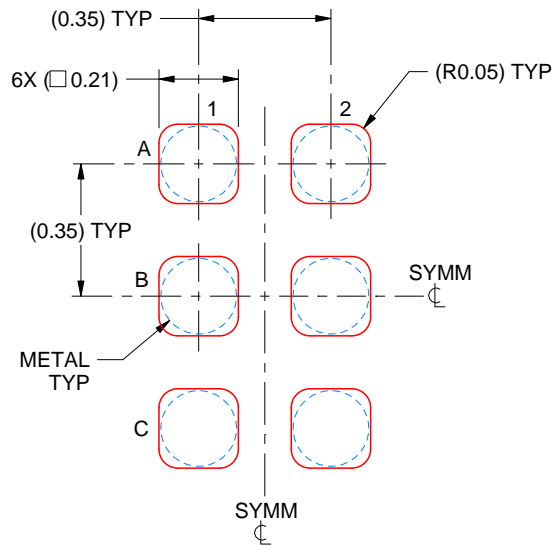
- Final dimensions may vary due to manufacturing tolerance considerations and also routing constraints. For more information, see Texas Instruments literature number SNVA009 ([www.ti.com/lit/snva009](http://www.ti.com/lit/snva009)).

# EXAMPLE STENCIL DESIGN

YKA0006

DSBGA - 0.4 mm max height

DIE SIZE BALL GRID ARRAY



SOLDER PASTE EXAMPLE  
BASED ON 0.075 mm - 0.1 mm THICK STENCIL  
SCALE:50X

4223607/A 03/2017

NOTES: (continued)

5. Laser cutting apertures with trapezoidal walls and rounded corners may offer better paste release.

## IMPORTANT NOTICE AND DISCLAIMER

TI PROVIDES TECHNICAL AND RELIABILITY DATA (INCLUDING DATA SHEETS), DESIGN RESOURCES (INCLUDING REFERENCE DESIGNS), APPLICATION OR OTHER DESIGN ADVICE, WEB TOOLS, SAFETY INFORMATION, AND OTHER RESOURCES "AS IS" AND WITH ALL FAULTS, AND DISCLAIMS ALL WARRANTIES, EXPRESS AND IMPLIED, INCLUDING WITHOUT LIMITATION ANY IMPLIED WARRANTIES OF MERCHANTABILITY, FITNESS FOR A PARTICULAR PURPOSE OR NON-INFRINGEMENT OF THIRD PARTY INTELLECTUAL PROPERTY RIGHTS.

These resources are intended for skilled developers designing with TI products. You are solely responsible for (1) selecting the appropriate TI products for your application, (2) designing, validating and testing your application, and (3) ensuring your application meets applicable standards, and any other safety, security, regulatory or other requirements.

These resources are subject to change without notice. TI grants you permission to use these resources only for development of an application that uses the TI products described in the resource. Other reproduction and display of these resources is prohibited. No license is granted to any other TI intellectual property right or to any third party intellectual property right. TI disclaims responsibility for, and you will fully indemnify TI and its representatives against, any claims, damages, costs, losses, and liabilities arising out of your use of these resources.

TI's products are provided subject to [TI's Terms of Sale](#) or other applicable terms available either on [ti.com](http://ti.com) or provided in conjunction with such TI products. TI's provision of these resources does not expand or otherwise alter TI's applicable warranties or warranty disclaimers for TI products.

TI objects to and rejects any additional or different terms you may have proposed.

Mailing Address: Texas Instruments, Post Office Box 655303, Dallas, Texas 75265  
Copyright © 2022, Texas Instruments Incorporated