

## GENERAL PURPOSE LED LIGHTING PWM CONTROLLER

 Check for Samples: [TPS92001](#), [TPS92002](#)

### FEATURES

- Ideal for Single Stage Designs
- Supports Isolated and Non-Isolated Topologies
- Phase-Cut TRIAC Dimmable
- Few External Components Mode Operation
- Wide Duty Cycle Range for Wide-Input Voltage or Dimming Range
- Convenient 5-V Reference Output
- Undervoltage Lockout for Safe Operation
- Operation to 1-MHz
- 0.4-A Source/0.8-A Sink FET Driver
- Low 100- $\mu$ A Startup Current

### APPLICATIONS

- Residential LED Lighting Drivers for A19 E12/E26/27, GU10, MR16, PAR30/38 Integral Lamps
- Drivers for Wall Sconces, Pathway Lighting and Overhead Lighting
- Drivers for Wall Washing, Architectural and Display Lighting

DEVICE NUMBER	TURN-ON THRESHOLD (V)	TURN-OFF THRESHOLD (V)
TPS92001	10	8
TPS92002	15	

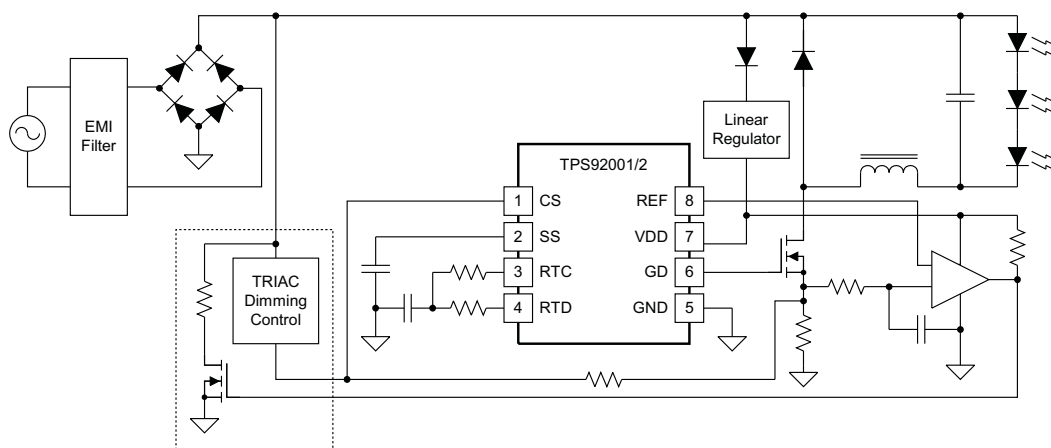
### DESCRIPTION

The TPS92001/2 family of general LED lighting PWM controllers contains control and drive circuitry required for off-line isolated or non-isolated LED lighting applications.

The controllers can support Phase Cut TRIAC dimming with minimal external components. The controllers can also be implemented for stage conversion where the power factor (PF) exceeds regulatory requirements for lighting. These controllers also have an accessible 5-V reference that could be used to power a microcontroller or other low power peripheral components. The controllers operate in fixed frequency current mode switching with minimal external parts count. Internally implemented circuits include undervoltage lockout featuring startup current less than 100  $\mu$ A, logic to ensure latched operation, a PWM comparator, and a totem pole output stage to sink or source peak current. The output stage, suitable for driving N-Channel MOSFETs, is low in the off state. Oscillator frequency and maximum duty cycle are programmed with two resistors and a capacitor.

The TPS92001/2 family also features full cycle soft start. The family offers UVLO thresholds and hysteresis levels for off-line and DC-to-DC systems. The TPS92001/2 is offered in the 8-pin MSOP (DGK) and 8-pin SOIC (D) packages. The small MSOP package makes the device ideally suited for applications where board space and height are at a premium.

### SIMPLIFIED APPLICATION



UDG-10003



Please be aware that an important notice concerning availability, standard warranty, and use in critical applications of Texas Instruments semiconductor products and disclaimers thereto appears at the end of this data sheet.



This integrated circuit can be damaged by ESD. Texas Instruments recommends that all integrated circuits be handled with appropriate precautions. Failure to observe proper handling and installation procedures can cause damage.

ESD damage can range from subtle performance degradation to complete device failure. Precision integrated circuits may be more susceptible to damage because very small parametric changes could cause the device not to meet its published specifications.

### ABSOLUTE MAXIMUM RATINGS

over operating free-air temperature range unless otherwise noted<sup>(1)</sup>

		RANGE	UNIT
Input voltage range	VDD	19	V
	SS	-0.3 to REF + 0.3	
	RTC, RTD	-0.3 to REF + 0.3	
Continuous input current	I <sub>REF</sub>	-15	mA
	I <sub>VDD</sub>	25	
Output current	I <sub>GD</sub> (tpw < 1 μs and Duty Cycle < 10%)	-0.4 to 0.8	A
Operating junction temperature	T <sub>J</sub>	-55 to +150	°C
Storage temperature	T <sub>stg</sub>	-65 to +150	
Lead temperature	Soldering, 10 s	+300	

- (1) Stresses beyond those listed under *Absolute Maximum Ratings* may cause permanent damage to the device. These are stress ratings only, and functional operation of the device at these or any other conditions beyond those indicated under *Recommended Operating Conditions* is not implied. Exposure to absolute-maximum-rated conditions for extended periods may affect device reliability. All voltages are with respect to GND. Currents are positive into, negative out of the specified terminal.

### RECOMMENDED OPERATING CONDITIONS

		MIN	MAX	UNIT
VDD	Input voltage		21	V
I <sub>GD</sub>	Output sink current	0		A
T <sub>J</sub>	Operating junction temperature	-40	105	°C

### DISSIPATION RATINGS

PACKAGE	θ <sub>JA</sub> , THERMAL IMPEDANCE JUNCTION-TO-AMBIENT, NO AIRFLOW (°C/W)	θ <sub>JB</sub> , THERMAL IMPEDANCE JUNCTION-TO-BOARD, NO AIRFLOW (°C/W)	T <sub>A</sub> = 25°C POWER RATING (mW)	T <sub>A</sub> = 85°C POWER RATING (mW)	T <sub>B</sub> = 85°C POWER RATING (mW)
SOIC-8 (D)	165 <sup>(1)</sup>	55	606 <sup>(2)</sup>	242 <sup>(2)</sup>	730 <sup>(2)(3)</sup>
MSOP-8 (DGK)	181 <sup>(1)</sup>	62	552 <sup>(2)</sup>	221 <sup>(2)</sup>	664 <sup>(3)(2)</sup>

- (1) Tested per JEDEC EIA/JESD51-1. Thermal resistance is a function of board construction and layout. Air flow will reduce thermal resistance. This number is included only as a general guideline; see TI document [SPRA953 IC Package Thermal Metrics](#).  
 (2) Maximum junction temperature T<sub>J</sub>, equal to 125°C.  
 (3) Thermal resistance to the circuit board is lower. Measured with standard single-sided PCB construction. Board temperature, T<sub>B</sub>, measured approximately 1 cm from the lead to board interface. This number is provided only as a general guideline.

### ELECTROSTATIC DISCHARGE (ESD) PROTECTION

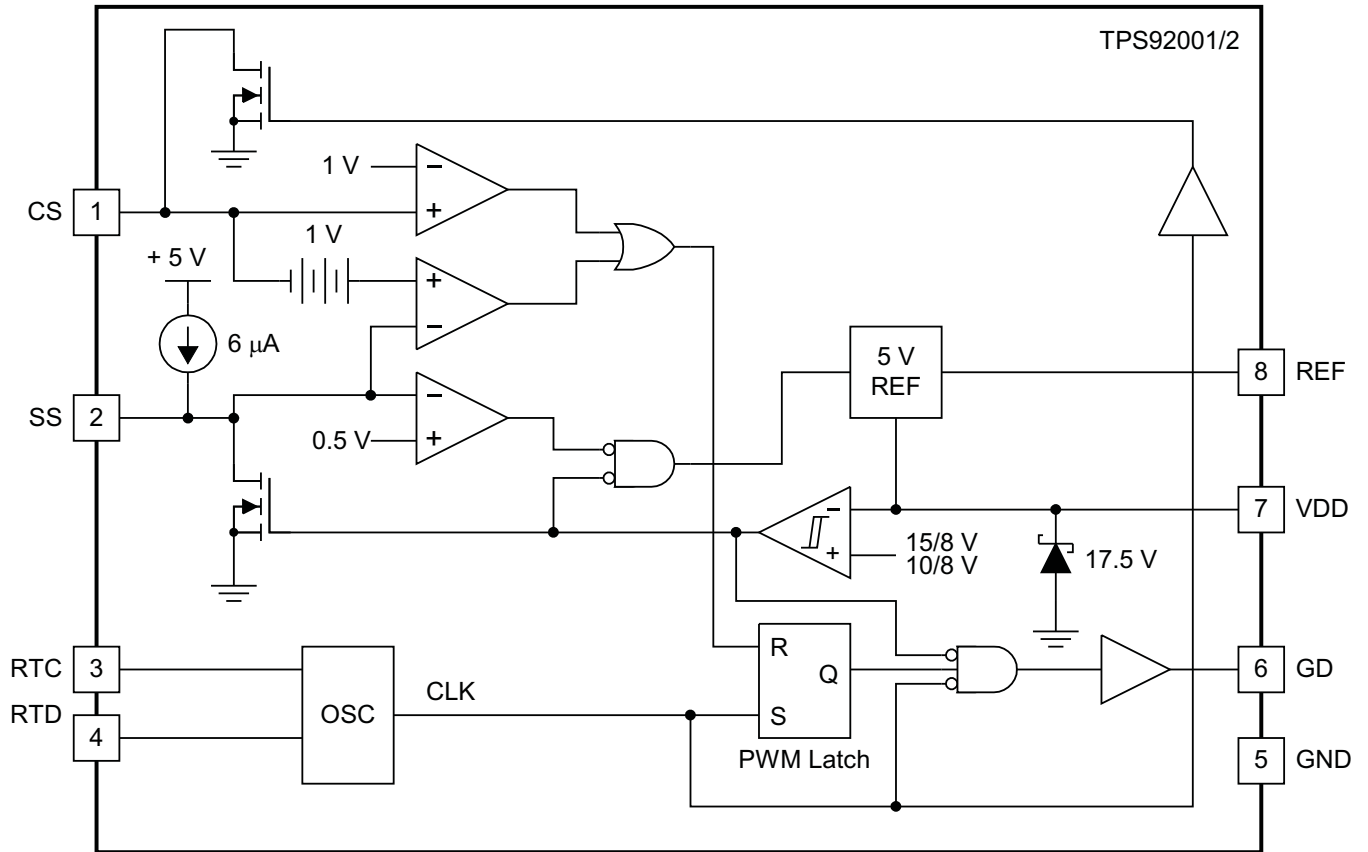
		MIN	MAX	UNIT
Human body model			2000	V
CDM			1500	

**ELECTRICAL CHARACTERISTICS**
 $V_{VDD} = 12\text{ V}$ ,  $C_{REF} = 0.47\text{-}\mu\text{F}$ ,  $T_A = T_J$  (unless otherwise noted)

PARAMETER		TEST CONDITIONS	MIN	TYP	MAX	UNIT
<b>SUPPLY SECTION</b>						
VDD	Supply clamp	$I_{VDD} = 10\text{ mA}$	16	17.5	19	V
$I_{VDD}$	Supply current	No Load		600	900	$\mu\text{A}$
$I_{VDD}$	Supply current startup <sup>(1)</sup>			110		$\mu\text{A}$
	Supply current standby	$V_{VDD} = \text{Start threshold} - 300\text{ mv}$		110	125	$\mu\text{A}$
				130	170	
<b>UNDERVOLTAGE LOCKOUT SECTION</b>						
	Start threshold	TPS92001	9.4		10.4	V
		TPS92002	14.0		15.6	
	UVLO hysteresis	TPS92001	1.65			
		TPS92002	6.2			
<b>VOLTAGE REFERENCE SECTION</b>						
	Output voltage	$I_{REF} = 0\text{ mA}$	4.75	5	5.25	V
	Line regulation	$10\text{ V} \leq V_{VDD} \leq 15\text{ V}$		2		mV
	Load regulation	$0\text{ mA} \leq I_{REF} \leq 5\text{ mA}$		2		mV
<b>COMPARATOR SECTION</b>						
$I_{CS}$	Current sense	Output OFF		-100		nA
	Comparator threshold		0.9	0.95	1	V
$GD_{DLY}$	GD propagation delay (No Load)	$0.8\text{ V} \leq V_{CS} \leq 1.2\text{ V}$ at $T_R = 10\text{ ns}$		50	100	ns
<b>SOFT START SECTION</b>						
$I_{SS}$	Soft-start current	$V_{VDD} = 16\text{ V}$ , $V_{SS} = 0\text{ V}$ , $-40^\circ\text{C} \leq T_A \leq 85^\circ\text{C}$	-4.9	-7.0	-9.1	$\mu\text{A}$
		$V_{VDD} = 16\text{ V}$ , $V_{SS} = 0\text{ V}$ , $-40^\circ\text{C} \leq T_A \leq 85^\circ$	-4.9	-7.0	-10.0	$\mu\text{A}$
$V_{SS}$	Low-level output voltage	$V_{VDD} = 7.5\text{ V}$ , $I_{SS} = 200\text{ }\mu\text{A}$			0.2	V
	Shutdown threshold		0.44	0.48	0.52	V
<b>OSCILLATOR SECTION</b>						
	Switching frequency	$R_{RTC} = 10\text{ k}\Omega$ , $R_{RTD} = 4.32\text{ k}\Omega$ , $C_{CT} = 820\text{ pF}$	90	100	110	kHz
	Frequency change with voltage	$10\text{ V} \leq V_{VDD} \leq 15\text{ V}$		0.1		%/V
$V_{CT(\text{peak})}$	Timing capacitor peak voltage			3.33		V
$V_{CT(\text{valley})}$	Timing capacitor valley voltage			1.67		V
$V_{CT(\text{p-p})}$	Timing capacitor peak-to-peak voltage		1.54	1.67	1.80	V
<b>GATE DRIVE SECTION</b>						
	Power driver $V_{SAT}$ low	$I_{GD} = 80\text{ mA}$ (dc)		0.8	1.5	V
	Power driver $V_{SAT}$ high	$I_{GD} = -40\text{ mA}$ (dc), $(V_{VDD} - V_{GD})$		0.8	1.5	V
	Power driver low-voltage during UVLO	$I_{GD} = 20\text{ mA}$ (dc)			1.5	V
$D_{MIN}$	Minimum duty cycle	$V_{CS} = 2\text{ V}$		0%		
$D_{MAX}$	Maximum duty cycle			70%		
$t_{RISE}$	Rise Time	$C_{GD} = 1\text{ nF}$		35		ns
$t_{FALL}$	Fall Time	$C_{GD} = 1\text{ nF}$		18		ns

(1) Specified by design. Not production tested.

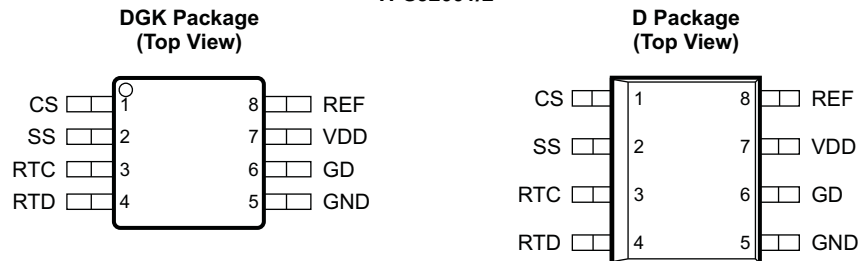
FUNCTIONAL BLOCK DIAGRAM



UDG-10004

**ORDERING INFORMATION**

OPERATING TEMPERATURE RANGE T <sub>A</sub>	PACKAGE	THRESHOLD		ORDERABLE DEVICE NUMBER	PINS	TRANSPORT MEDIA	QUANTITY
		TURN-ON	TURN-OFF				
–40°C to 85°C	Plastic Small Outline (MSOP)	10	8	TPS92001DGK	8	Tube	80
				TPS92001DGKR		Tape and Reel	2500
	TPS92001D			Tube		75	
	TPS92001DR			Tape and Reel		2500	
	Plastic Small Outline (SOIC)	15		TPS92002DGK		Tube	80
				TPS92002DGKR		Tape and Reel	2500
	Plastic Small Outline (MSOP)	15		TPS92002D		Tube	75
				TPS92002DR		Tape and Reel	2500

**DEVICE INFORMATION**
**TPS92001/2**

**PIN FUNCTIONS**

PIN NAME	NO.	I/O	DESCRIPTION
CS	1	I	This pin is the summing node for current sense feedback, voltage sense feedback (by optocoupler) and slope compensation. Slope compensation is derived from the rising voltage at the timing capacitor and can be buffered with an external small signal NPN transistor. External high frequency filter capacitance applied from this node to GND is discharged by an internal 250ohm on resistance NMOS FET during PWM off time. It offers effective leading edge blanking, with the delay set by the RC time constant of the feedback resistance from current sense resistor to CS input and the high frequency filter capacitor at this node to GND.
GND	5	–	Reference ground and power ground for all functions.
GD	6	O	This pin is the high current power driver output. A minimum series gate resistor of 3.9 Ω is recommended to limit the gate drive current when operating with high-bias voltages.
REF	8	O	The internal 5-V reference output. This reference is buffered and is available on the REF pin. The REF pin should be bypassed with a 0.47-μF ceramic capacitor to GND.
RTC	3	I	This pin connects to timing resistor R <sub>RTC</sub> , and controls the positive ramp (rise) time of the internal oscillator (see Equation 1). The positive threshold of the internal oscillator is sensed through inactive timing resistor R <sub>RTD</sub> which connects to pin RTD and timing capacitor, C <sub>CT</sub> . $t_{RISE} = 0.74 \times (C_{CT} + 27 \text{ pF}) \times R_{RTC} \quad (1)$
RTD	4	I	This pin connects to timing resistor RTD and controls the negative ramp (fall) time of the internal oscillator (see Equation 2). The negative threshold of the internal oscillator is sensed through inactive timing resistor R <sub>RTC</sub> which connects to pin RTC and timing capacitor, C <sub>CT</sub> . $t_{FALL} = 0.74 \times (C_{CT} + 27 \text{ pF}) \times R_{RTD} \quad (2)$
SS	2	I	This pin serves two functions. The soft start timing capacitor connects to SS and is charged by an internal 6-μA current source. Under normal soft-start, the SS pin is discharged to at least 0.4 V and then ramps positive to 1 V during which time the output driver is held low. As the SS pin charges from 1 V to 2 V, the soft-start is implemented by an increasing output duty cycle. If the SS pin is taken below 0.5 V, the output driver is inhibited and held low. The user accessible 5-V voltage reference also goes low and I <sub>VDD</sub> = 100 μA
VDD	7	I	The power input connection for this device. This pin is shunt regulated at 17.5 V which is sufficiently below the voltage rating of the DMOS output driver stage. VDD should be bypassed with a 1-μF ceramic capacitor.

**APPLICATION INFORMATION**

**Introduction**

The typical application diagrams in [Figure 3](#) and [Figure 4](#) show isolated and non-isolated flyback converters utilizing the TPS92001. Note that the capacitors  $C_{REF}$  and  $C_{VDD}$  are local decoupling capacitors for the reference and device input voltage, respectively. Both capacitors should be low ESR and ESL ceramic, placed as close as possible to the device pins, and returned directly to the ground pin of the device for best stability. The REF pin provides the internal bias to many of the device functions and  $C_{REF}$  should be at least 0.47- $\mu$ F to prevent the REF voltage from drooping.

**Current Sense (CS) Pin**

In the TPS92001/2, the current regulation is obtained through the summation of the primary current sense and any slope compensation at the CS pin compared to a 1-V threshold, as shown in the [FUNCTIONAL BLOCK DIAGRAM](#). Crossing this 1-V threshold resets the PWM latch and modulates the output driver on-time. In the absence of a CS signal, the output obeys the programmed maximum on-time of the oscillator. When adding slope compensation, it is important to use a small capacitor to AC couple the oscillator waveform before summing this signal into the CS pin. By forcing the CS node to exceed the 1-V threshold the TPS92001/2 is forced to zero percent duty cycle.

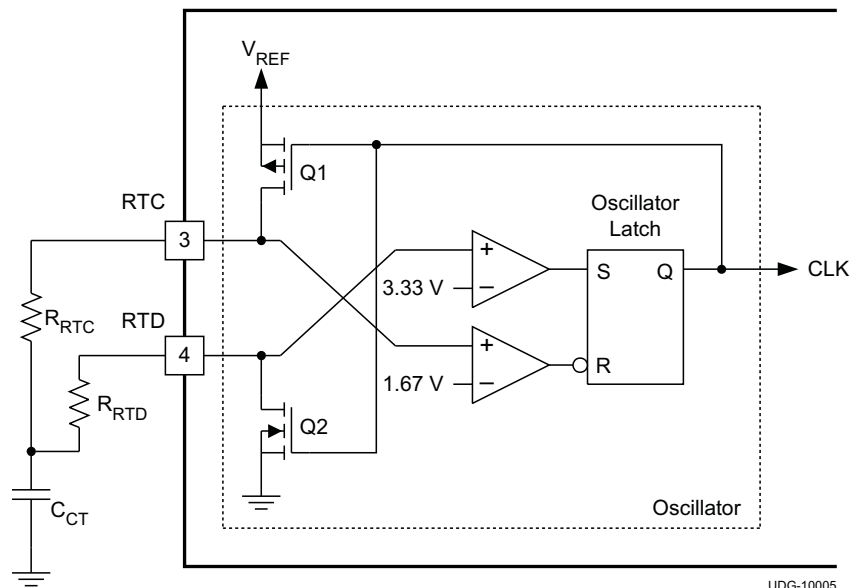
**Oscillator**

[Equation 3](#) calculates the oscillator frequency setting.

$$f_{OSC} = (0.74 \times (C_{CT} + 27\text{pF}) \times (R_{RTC} + R_{RTD}))^{-1} \tag{3}$$

$$D_{MAX} = 0.74 \times R_{TC} \times (C_T + 27\text{pF}) \times f_{OSC} \tag{4}$$

Referring to [Figure 1](#) and the waveforms in [Figure 2](#), when Q1 is on,  $C_{CT}$  charges via the on-resistance of the Q1 MOSFET and the RTC pin. During this charging process, the voltage of  $C_{CT}$  is sensed through the RTD pin. The S input of the oscillator latch,  $S_{OSC}$ , is level sensitive, so crossing the upper threshold (set at  $2/3 V_{REF}$  or 3.33 V for a typical 5.0 V reference) sets the Q output (CLK signal) of the oscillator latch high. A high CLK signal results in turning off Q1 and turning on Q2. The timing capacitor then discharges through RTD and the  $R_{DS(on)}$  of Q2.  $C_{CT}$  discharges from 3.33 V to the lower threshold (set at  $1/3 V_{REF}$  or 1.67 V for a typical 5.0-V reference) sensed through RTC. The R input to the oscillator latch,  $R_{OSC}$ , is also level sensitive and resets the CLK signal low when  $C_{CT}$  crosses the 1.67-V threshold, turning off Q2 and turning on Q1, initiating another charging cycle.



**Figure 1. Oscillator Function**

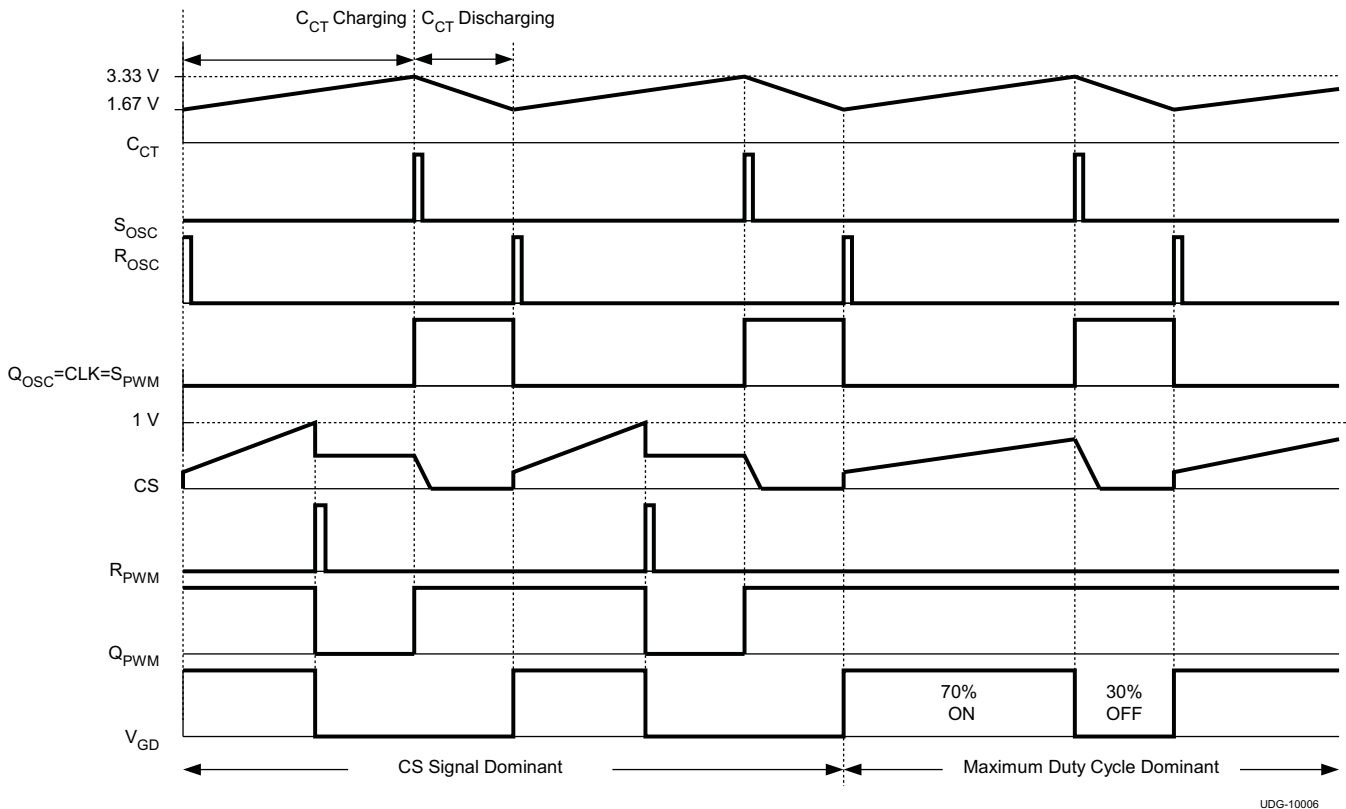


Figure 2. Oscillator Latch and PWM Latch Waveforms

Figure 2 shows the waveforms associated with the oscillator latch and the PWM latch (shown in the Typical Application Diagram). A high CLK signal not only initiates a discharge cycle for  $C_{CT}$ , it also turns on the internal N-channel MOSFET on the CS pin causing any external capacitance used for leading edge blanking connected to this pin to be discharged to ground. By discharging any external capacitor completely to ground during the external switch off-time, the noise immunity of the converter is enhanced allowing the user to design in smaller R-C components for leading edge blanking. A high CLK signal also sets the level sensitive S input of the PWM latch,  $S_{PWM}$ , high, resulting in a high output,  $Q_{PWM}$ , as shown in Figure 2. This  $Q_{PWM}$  signal remains high until a reset signal,  $R_{PWM}$  is received. A high  $R_{PWM}$  signal results from the CS signal crossing the 1-V threshold, or during soft-start or if the SS pin is disabled.

Assuming the UVLO threshold is satisfied, the GD signal of the device remains high as long as  $Q_{PWM}$  is high and  $S_{PWM}$ , also referred to as CLK, is low. The GD signal is dominated by the CS signal as long as the CS signal trips the 1-V threshold while CLK is low. If the CS signal does not cross the 1-V threshold while CLK is low, the GD signal will be dominated by the maximum duty cycle programmed by the user. Figure 2 illustrates the various waveforms for a design set up for a maximum duty cycle of 70%.

The recommended value for  $C_{CT}$  is 1 nF for frequencies in the 100 kHz or less range and smaller  $C_{CT}$  for higher frequencies. The minimum recommended values of  $R_{RTC}$  is 10 k $\Omega$ . The minimum recommended value of  $R_{RTD}$  is 4.32 k $\Omega$ . Using these values maintains a ratio of at least 20:1 between the  $R_{DS(on)}$  of the internal FETs and the external timing resistors, resulting in minimal change in frequency over temperature. Because of the oscillator susceptibility to capacitive coupling, examine the oscillator frequency by looking at the common RTC-RTD-CT node on the circuit board as opposed to looking at pins 3 and 4 directly. For good noise immunity, the RTC and RTD resistors should be placed as close to pins 3 and 4 of the device as possible. The timing capacitor should be returned directly to the ground pin of the device with minimal stray inductance and capacitance.

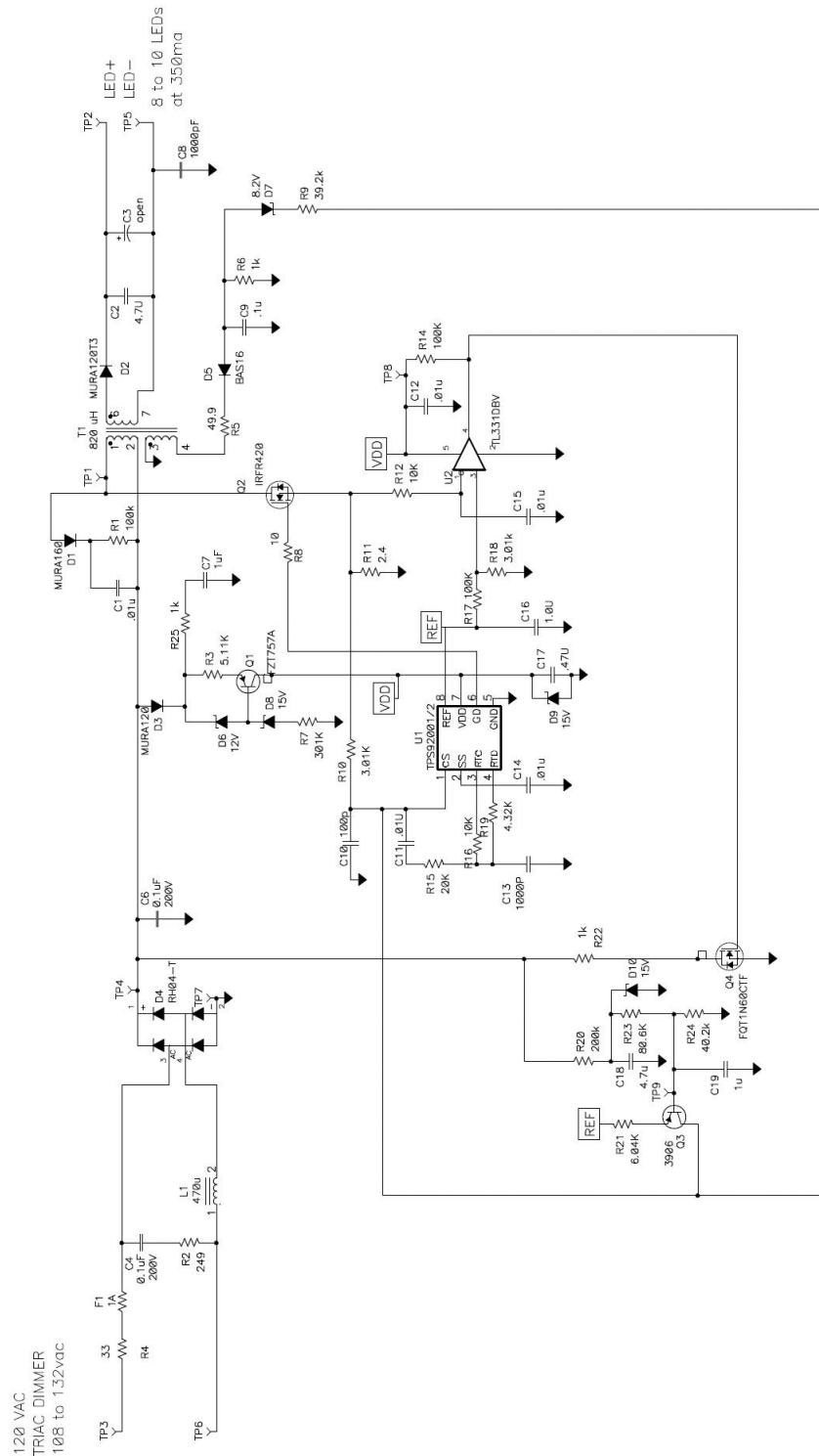


Figure 3. Isolated Flyback with TRIAC Dimming Interface

**CAUTION**

Do not operate the Isolated Flyback described in [Figure 3](#) without load.



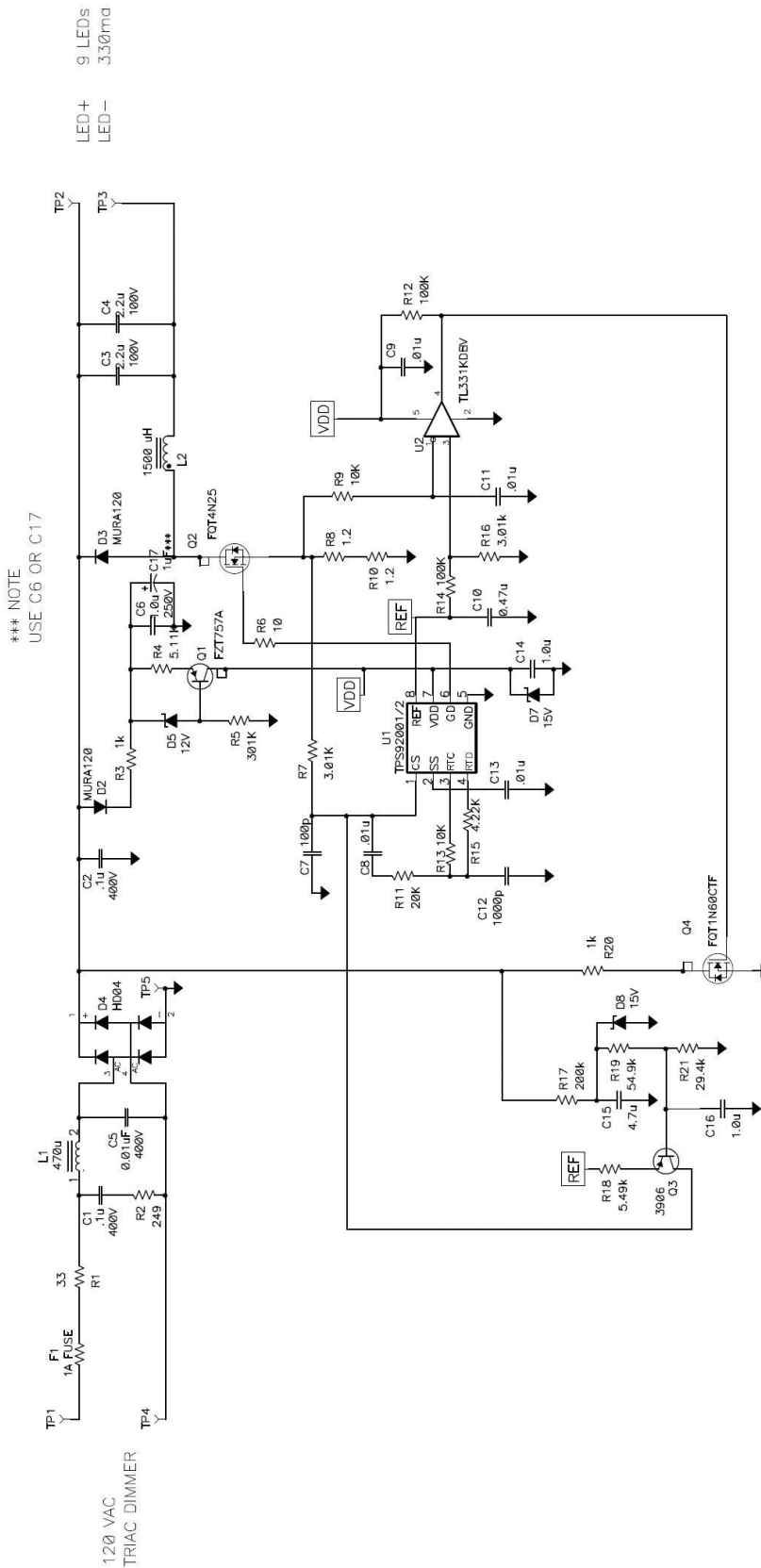


Figure 4. Low-Side (Inverted) Buck with TRIAC Dimming Interface

TYPICAL CHARACTERISTICS

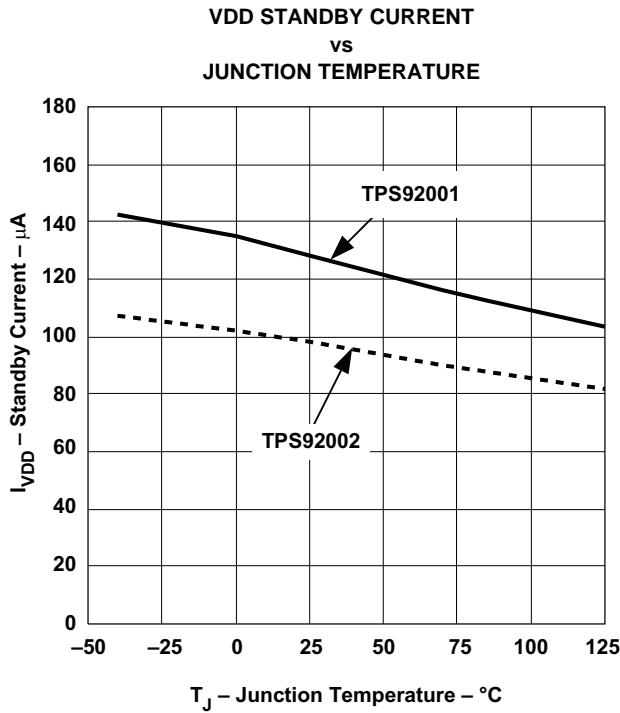


Figure 5.

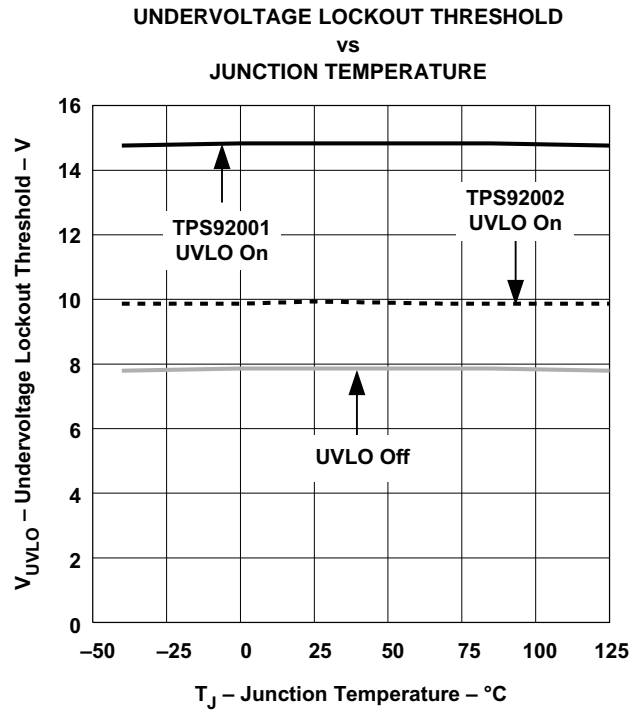


Figure 6.

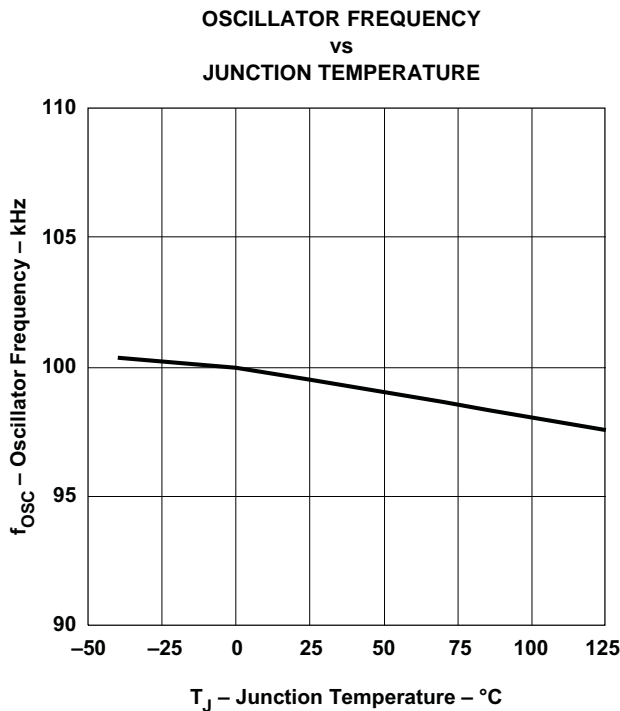


Figure 7.

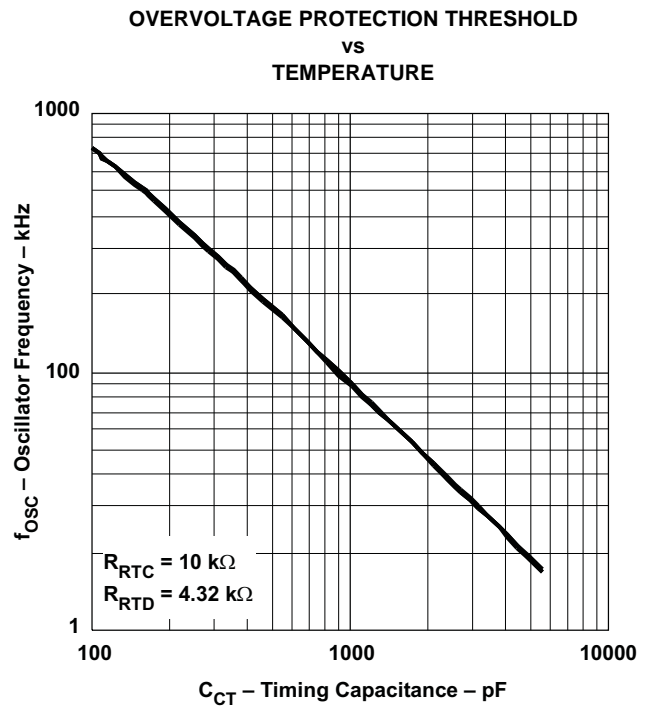


Figure 8.

---

**REVISION HISTORY**

<b>Changes from Original (FEBRUARY 2010) to Revision A</b>	<b>Page</b>
• Changed diode direction .....	<b>1</b>
• Changed Figure 4 title .....	<b>9</b>

---

**PACKAGING INFORMATION**

Orderable Device	Status (1)	Package Type	Package Drawing	Pins	Package Qty	Eco Plan (2)	Lead finish/ Ball material (6)	MSL Peak Temp (3)	Op Temp (°C)	Device Marking (4/5)	Samples
TPS92001D	ACTIVE	SOIC	D	8	75	RoHS & Green	NIPDAU	Level-1-260C-UNLIM	-40 to 105	92001D	<a href="#">Samples</a>
TPS92001DGKR	ACTIVE	VSSOP	DGK	8	2500	RoHS & Green	NIPDAUAG	Level-2-260C-1 YEAR	-40 to 105	92001	<a href="#">Samples</a>
TPS92001DR	ACTIVE	SOIC	D	8	2500	RoHS & Green	NIPDAU	Level-1-260C-UNLIM	-40 to 105	92001D	<a href="#">Samples</a>
TPS92002D	ACTIVE	SOIC	D	8	75	RoHS & Green	NIPDAU	Level-1-260C-UNLIM	-40 to 105	92002D	<a href="#">Samples</a>
TPS92002DR	ACTIVE	SOIC	D	8	2500	RoHS & Green	NIPDAU	Level-1-260C-UNLIM	-40 to 105	92002D	<a href="#">Samples</a>

(1) The marketing status values are defined as follows:

**ACTIVE:** Product device recommended for new designs.

**LIFEBUY:** TI has announced that the device will be discontinued, and a lifetime-buy period is in effect.

**NRND:** Not recommended for new designs. Device is in production to support existing customers, but TI does not recommend using this part in a new design.

**PREVIEW:** Device has been announced but is not in production. Samples may or may not be available.

**OBSELETE:** TI has discontinued the production of the device.

(2) **RoHS:** TI defines "RoHS" to mean semiconductor products that are compliant with the current EU RoHS requirements for all 10 RoHS substances, including the requirement that RoHS substance do not exceed 0.1% by weight in homogeneous materials. Where designed to be soldered at high temperatures, "RoHS" products are suitable for use in specified lead-free processes. TI may reference these types of products as "Pb-Free".

**RoHS Exempt:** TI defines "RoHS Exempt" to mean products that contain lead but are compliant with EU RoHS pursuant to a specific EU RoHS exemption.

**Green:** TI defines "Green" to mean the content of Chlorine (Cl) and Bromine (Br) based flame retardants meet JS709B low halogen requirements of <=1000ppm threshold. Antimony trioxide based flame retardants must also meet the <=1000ppm threshold requirement.

(3) MSL, Peak Temp. - The Moisture Sensitivity Level rating according to the JEDEC industry standard classifications, and peak solder temperature.

(4) There may be additional marking, which relates to the logo, the lot trace code information, or the environmental category on the device.

(5) Multiple Device Markings will be inside parentheses. Only one Device Marking contained in parentheses and separated by a "~" will appear on a device. If a line is indented then it is a continuation of the previous line and the two combined represent the entire Device Marking for that device.

(6) Lead finish/Ball material - Orderable Devices may have multiple material finish options. Finish options are separated by a vertical ruled line. Lead finish/Ball material values may wrap to two lines if the finish value exceeds the maximum column width.

**Important Information and Disclaimer:** The information provided on this page represents TI's knowledge and belief as of the date that it is provided. TI bases its knowledge and belief on information provided by third parties, and makes no representation or warranty as to the accuracy of such information. Efforts are underway to better integrate information from third parties. TI has taken and continues to take reasonable steps to provide representative and accurate information but may not have conducted destructive testing or chemical analysis on incoming materials and chemicals. TI and TI suppliers consider certain information to be proprietary, and thus CAS numbers and other limited information may not be available for release.

In no event shall TI's liability arising out of such information exceed the total purchase price of the TI part(s) at issue in this document sold by TI to Customer on an annual basis.

**TAPE AND REEL INFORMATION**

**QUADRANT ASSIGNMENTS FOR PIN 1 ORIENTATION IN TAPE**


\*All dimensions are nominal

Device	Package Type	Package Drawing	Pins	SPQ	Reel Diameter (mm)	Reel Width W1 (mm)	A0 (mm)	B0 (mm)	K0 (mm)	P1 (mm)	W (mm)	Pin1 Quadrant
TPS92001DGKR	VSSOP	DGK	8	2500	330.0	12.4	5.3	3.4	1.4	8.0	12.0	Q1
TPS92001DR	SOIC	D	8	2500	330.0	12.4	6.4	5.2	2.1	8.0	12.0	Q1
TPS92002DR	SOIC	D	8	2500	330.0	12.4	6.4	5.2	2.1	8.0	12.0	Q1

**TAPE AND REEL BOX DIMENSIONS**


\*All dimensions are nominal

Device	Package Type	Package Drawing	Pins	SPQ	Length (mm)	Width (mm)	Height (mm)
TPS92001DGKR	VSSOP	DGK	8	2500	366.0	364.0	50.0
TPS92001DR	SOIC	D	8	2500	340.5	338.1	20.6
TPS92002DR	SOIC	D	8	2500	340.5	338.1	20.6

**TUBE**


\*All dimensions are nominal

Device	Package Name	Package Type	Pins	SPQ	L (mm)	W (mm)	T (μm)	B (mm)
TPS92001D	D	SOIC	8	75	507	8	3940	4.32
TPS92002D	D	SOIC	8	75	507	8	3940	4.32



# DGK0008A



# PACKAGE OUTLINE

VSSOP - 1.1 mm max height

SMALL OUTLINE PACKAGE



4214862/A 04/2023

**NOTES:**

PowerPAD is a trademark of Texas Instruments.

1. All linear dimensions are in millimeters. Any dimensions in parenthesis are for reference only. Dimensioning and tolerancing per ASME Y14.5M.
2. This drawing is subject to change without notice.
3. This dimension does not include mold flash, protrusions, or gate burrs. Mold flash, protrusions, or gate burrs shall not exceed 0.15 mm per side.
4. This dimension does not include interlead flash. Interlead flash shall not exceed 0.25 mm per side.
5. Reference JEDEC registration MO-187.

# EXAMPLE BOARD LAYOUT

DGK0008A

™ VSSOP - 1.1 mm max height

SMALL OUTLINE PACKAGE



LAND PATTERN EXAMPLE  
EXPOSED METAL SHOWN  
SCALE: 15X



SOLDER MASK DETAILS

4214862/A 04/2023

NOTES: (continued)

6. Publication IPC-7351 may have alternate designs.
7. Solder mask tolerances between and around signal pads can vary based on board fabrication site.
8. Vias are optional depending on application, refer to device data sheet. If any vias are implemented, refer to their locations shown on this view. It is recommended that vias under paste be filled, plugged or tented.
9. Size of metal pad may vary due to creepage requirement.

# EXAMPLE STENCIL DESIGN

DGK0008A

<sup>TM</sup> VSSOP - 1.1 mm max height

SMALL OUTLINE PACKAGE



SOLDER PASTE EXAMPLE  
SCALE: 15X

4214862/A 04/2023

NOTES: (continued)

11. Laser cutting apertures with trapezoidal walls and rounded corners may offer better paste release. IPC-7525 may have alternate design recommendations.
12. Board assembly site may have different recommendations for stencil design.



D0008A

# PACKAGE OUTLINE

SOIC - 1.75 mm max height

SMALL OUTLINE INTEGRATED CIRCUIT



4214825/C 02/2019

NOTES:

- Linear dimensions are in inches [millimeters]. Dimensions in parenthesis are for reference only. Controlling dimensions are in inches. Dimensioning and tolerancing per ASME Y14.5M.
- This drawing is subject to change without notice.
- This dimension does not include mold flash, protrusions, or gate burrs. Mold flash, protrusions, or gate burrs shall not exceed  $.006$  [0.15] per side.
- This dimension does not include interlead flash.
- Reference JEDEC registration MS-012, variation AA.

# EXAMPLE BOARD LAYOUT

D0008A

SOIC - 1.75 mm max height

SMALL OUTLINE INTEGRATED CIRCUIT



LAND PATTERN EXAMPLE  
 EXPOSED METAL SHOWN  
 SCALE:8X



SOLDER MASK DETAILS

4214825/C 02/2019

NOTES: (continued)

- 6. Publication IPC-7351 may have alternate designs.
- 7. Solder mask tolerances between and around signal pads can vary based on board fabrication site.

# EXAMPLE STENCIL DESIGN

D0008A

SOIC - 1.75 mm max height

SMALL OUTLINE INTEGRATED CIRCUIT



SOLDER PASTE EXAMPLE  
BASED ON .005 INCH [0.125 MM] THICK STENCIL  
SCALE:8X

4214825/C 02/2019

NOTES: (continued)

8. Laser cutting apertures with trapezoidal walls and rounded corners may offer better paste release. IPC-7525 may have alternate design recommendations.
9. Board assembly site may have different recommendations for stencil design.

## IMPORTANT NOTICE AND DISCLAIMER

TI PROVIDES TECHNICAL AND RELIABILITY DATA (INCLUDING DATA SHEETS), DESIGN RESOURCES (INCLUDING REFERENCE DESIGNS), APPLICATION OR OTHER DESIGN ADVICE, WEB TOOLS, SAFETY INFORMATION, AND OTHER RESOURCES "AS IS" AND WITH ALL FAULTS, AND DISCLAIMS ALL WARRANTIES, EXPRESS AND IMPLIED, INCLUDING WITHOUT LIMITATION ANY IMPLIED WARRANTIES OF MERCHANTABILITY, FITNESS FOR A PARTICULAR PURPOSE OR NON-INFRINGEMENT OF THIRD PARTY INTELLECTUAL PROPERTY RIGHTS.

These resources are intended for skilled developers designing with TI products. You are solely responsible for (1) selecting the appropriate TI products for your application, (2) designing, validating and testing your application, and (3) ensuring your application meets applicable standards, and any other safety, security, regulatory or other requirements.

These resources are subject to change without notice. TI grants you permission to use these resources only for development of an application that uses the TI products described in the resource. Other reproduction and display of these resources is prohibited. No license is granted to any other TI intellectual property right or to any third party intellectual property right. TI disclaims responsibility for, and you will fully indemnify TI and its representatives against, any claims, damages, costs, losses, and liabilities arising out of your use of these resources.

TI's products are provided subject to [TI's Terms of Sale](#) or other applicable terms available either on [ti.com](https://www.ti.com) or provided in conjunction with such TI products. TI's provision of these resources does not expand or otherwise alter TI's applicable warranties or warranty disclaimers for TI products.

TI objects to and rejects any additional or different terms you may have proposed.

Mailing Address: Texas Instruments, Post Office Box 655303, Dallas, Texas 75265  
Copyright © 2024, Texas Instruments Incorporated