

TPSM8S6B24S, 2.95V to 16V, Single 25A, Synchronous, Buck Power Module, Up to 4 × Stackable, With PMBus® and Extended Write Protection

1 Features

- Integrated extended security feature
- 4.25V to 16V with PVIN tied to AVIN with internal LDO
- 2.95V to 16V with PVIN and AVIN split rail, or with external bias on VDD5
- Integrated MOSFETs, inductors, and basic passives
- Average current mode control with selectable internal compensation
- 0.5V to 5.5V output voltage range from through pinstrap
- 0.25V to 5.5V PMBus® VOUT_COMMAND range
- Extensive PMBus command set with telemetry for V_{OUT}, I_{OUT}, and die temperature
- Differential remote sensing with an internal FB divider for < 1% V_{OUT} error
- –40°C to +125°C T_J
- AVS and margining capabilities through PMBus
- Multi function select (MSEL) pins for pinstrap programming PMBus defaults
- Nine selectable switching frequencies from 275kHz to 1.1MHz
- Frequency sync in, sync out
- Supports prebiased output
- 16mm × 11mm × 4.3mm, 45-pin MOY package
- Create a custom design using the TPSM8S6B24S with the [WEBENCH® Power Designer](#)

2 Applications

- [Data center switches, rack servers](#)
- [Active antenna system, remote radio, and baseband unit](#)
- [Automated test equipment, CT, PET, and MRI](#)
- ASIC, SoC, [FPGA](#), [DSP](#) core, and I/O voltage

3 Description

TPSM8S6B24S is a highly integrated, easy-to-use, non-isolated DC/DC buck power module with added manufacturer-specific PMBus commands. The addition of [EXTENDED_WRITE_PROTECT](#) and [PASSKEY](#) improves security against malicious access to the PMBus by restricting Write capability with greater resolution than the standard Write Protect command.

TPSM8S6B24S is a 25A power module and can source up to 100A with 4 × stackability. The device has an option to overdrive the internal 5V LDO with an external 5V supply to enable lower input voltage range down to 2.95V and improve the efficiency of the converter.

TPSM8S6B24S power module uses a proprietary fixed-frequency current-mode control with input feedforward and selectable internal compensation components for minimal size and stability over a wide range of output capacitances.

The PMBus interface with 1MHz clock support to provide a convenient, standardized digital interface for converter configuration as well as monitoring of key parameters including output voltage, output current, and internal die temperature. Response to fault conditions can be set to restart, latch off, or ignore, depending on system requirements. Back-channel communication between stacked devices enables all TPSM8S6B24S converters, powering a single output rail to share a single address to simplify system software, firmware design. Key parameters including output voltage, switching frequency, soft-start time, and overcurrent fault limits can also be configured through BOM selection without PMBus communication to support program free power up.

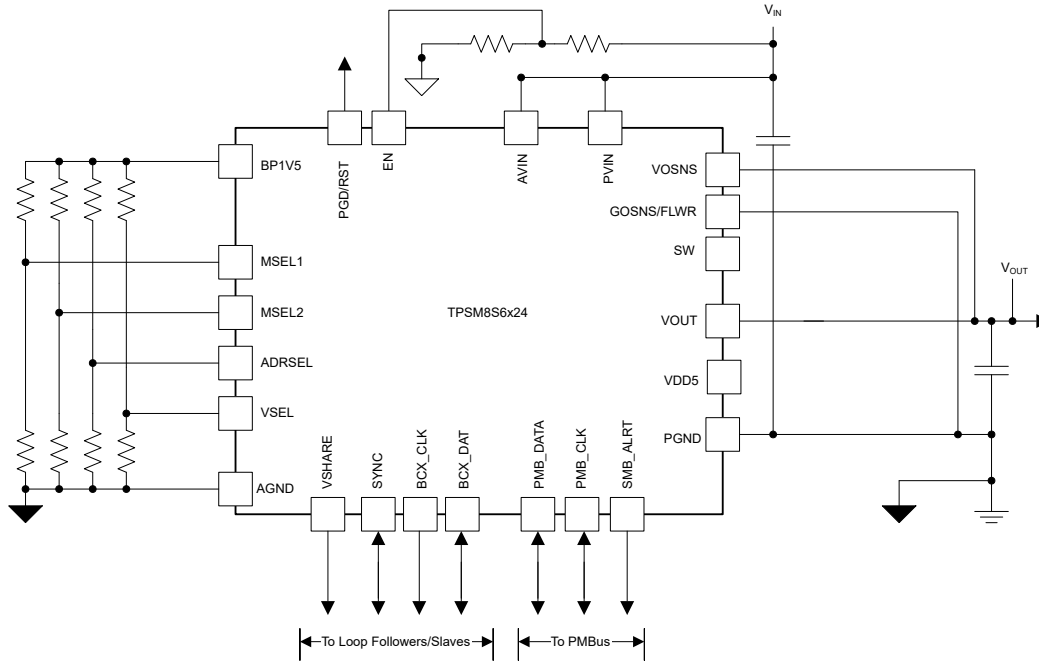
Package Information

| PART NUMBER | PACKAGE ⁽¹⁾ | PACKAGE SIZE ⁽²⁾ |
|-------------|------------------------|-----------------------------|
| TPSM8S6B24S | MOY (QFM, 45) | 16.00mm × 11.00mm |

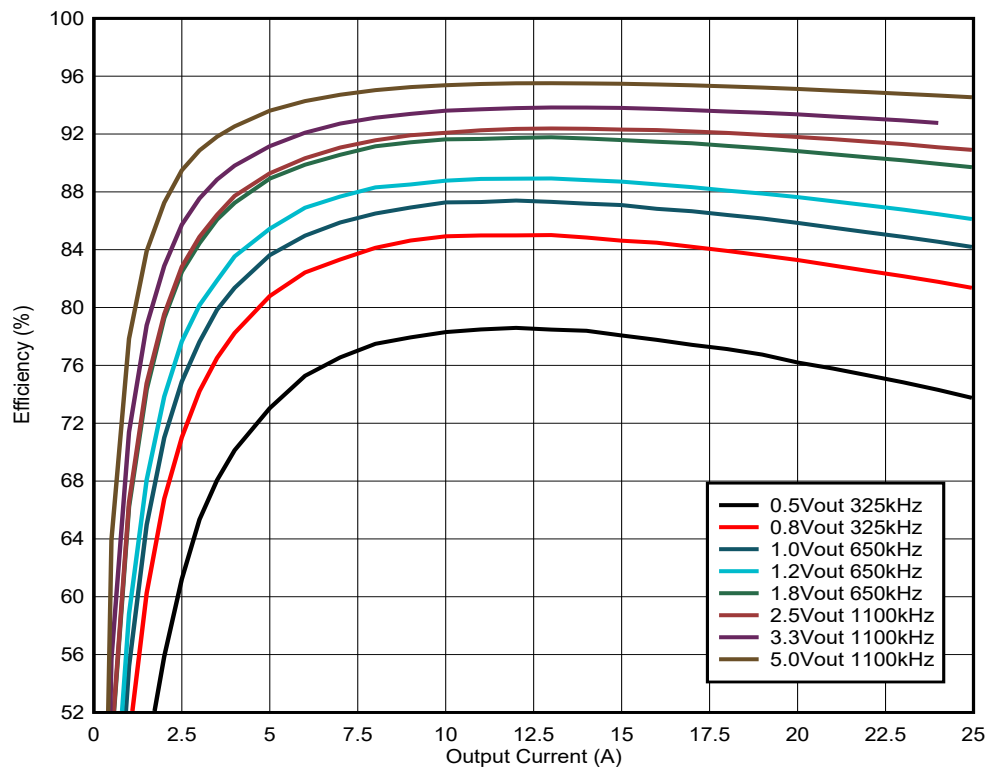
(1) For more information, see [Section 11](#).

(2) The package size (length × width) is a nominal value and includes pins, where applicable.





Simplified Application



Efficiency 12Vin, INT VCC

Table of Contents

| | | | |
|---|----|--|------------|
| 1 Features | 1 | 7.41 (4Ah) IOUT_OC_WARN_LIMIT..... | 92 |
| 2 Applications | 1 | 7.42 (4Fh) OT_FAULT_LIMIT..... | 93 |
| 3 Description | 1 | 7.43 (50h) OT_FAULT_RESPONSE..... | 94 |
| 4 Pin Configuration and Functions | 5 | 7.44 (51h) OT_WARN_LIMIT..... | 96 |
| 5 Specifications | 7 | 7.45 (55h) VIN_OV_FAULT_LIMIT..... | 97 |
| 5.1 Absolute Maximum Ratings..... | 7 | 7.46 (56h) VIN_OV_FAULT_RESPONSE..... | 98 |
| 5.2 ESD Ratings..... | 7 | 7.47 (58h) VIN_UV_WARN_LIMIT..... | 99 |
| 5.3 Recommended Operating Conditions..... | 7 | 7.48 (60h) TON_DELAY..... | 100 |
| 5.4 Thermal Information..... | 8 | 7.49 (61h) TON_RISE..... | 101 |
| 5.5 Electrical Characteristics..... | 8 | 7.50 (62h) TON_MAX_FAULT_LIMIT..... | 102 |
| 5.6 Typical Characteristics..... | 16 | 7.51 (63h) TON_MAX_FAULT_RESPONSE..... | 103 |
| 6 Detailed Description | 18 | 7.52 (64h) TOFF_DELAY..... | 104 |
| 6.1 Overview..... | 18 | 7.53 (65h) TOFF_FALL..... | 105 |
| 6.2 Functional Block Diagram..... | 18 | 7.54 (78h) STATUS_BYTE..... | 106 |
| 6.3 Feature Description..... | 19 | 7.55 (79h) STATUS_WORD..... | 107 |
| 6.4 Device Functional Modes..... | 34 | 7.56 (7Ah) STATUS_VOUT..... | 109 |
| 6.5 Programming..... | 35 | 7.57 (7Bh) STATUS_IOUT..... | 110 |
| 7 Register Maps | 47 | 7.58 (7Ch) STATUS_INPUT..... | 111 |
| 7.1 Conventions for Documenting Block Commands..... | 47 | 7.59 (7Dh) STATUS_TEMPERATURE..... | 112 |
| 7.2 (01h) OPERATION..... | 48 | 7.60 (7Eh) STATUS_CML..... | 113 |
| 7.3 (02h) ON_OFF_CONFIG..... | 50 | 7.61 (7Fh) STATUS_OTHER..... | 114 |
| 7.4 (03h) CLEAR_FAULTS..... | 51 | 7.62 (80h) STATUS_MFR_SPECIFIC..... | 115 |
| 7.5 (04h) PHASE..... | 52 | 7.63 (88h) READ_VIN..... | 116 |
| 7.6 (10h) WRITE_PROTECT..... | 53 | 7.64 (8Bh) READ_VOUT..... | 117 |
| 7.7 (15h) STORE_USER_ALL..... | 54 | 7.65 (8Ch) READ_IOUT..... | 118 |
| 7.8 (16h) RESTORE_USER_ALL..... | 55 | 7.66 (8Dh) READ_TEMPERATURE_1..... | 119 |
| 7.9 (19h) CAPABILITY..... | 56 | 7.67 (98h) PMBUS_REVISION..... | 120 |
| 7.10 (1Bh) SMBALERT_MASK..... | 57 | 7.68 (99h) MFR_ID..... | 121 |
| 7.11 (1Bh) SMBALERT_MASK_VOUT..... | 58 | 7.69 (9Ah) MFR_MODEL..... | 122 |
| 7.12 (1Bh) SMBALERT_MASK_IOUT..... | 59 | 7.70 (9Bh) MFR_REVISION..... | 123 |
| 7.13 (1Bh) SMBALERT_MASK_INPUT..... | 60 | 7.71 (9Eh) MFR_SERIAL..... | 124 |
| 7.14 (1Bh) SMBALERT_MASK_TEMPERATURE..... | 61 | 7.72 (ADh) IC_DEVICE_ID..... | 125 |
| 7.15 (1Bh) SMBALERT_MASK_CML..... | 62 | 7.73 (AEh) IC_DEVICE_REV..... | 126 |
| 7.16 (1Bh) SMBALERT_MASK_OTHER..... | 63 | 7.74 (B1h) USER_DATA_01 (COMPENSATION_CONFIG)..... | 127 |
| 7.17 (1Bh) SMBALERT_MASK_MFR..... | 64 | 7.75 (B5h) USER_DATA_05 (POWER_STAGE_CONFIG)..... | 129 |
| 7.18 (20h) VOUT_MODE..... | 65 | 7.76 (D0h) MFR_SPECIFIC_00 (TELEMETRY_CONFIG)..... | 130 |
| 7.19 (21h) VOUT_COMMAND..... | 66 | 7.77 (DAh) MFR_SPECIFIC_10 (READ_ALL)..... | 132 |
| 7.20 (22h) VOUT_TRIM..... | 68 | 7.78 (DBh) MFR_SPECIFIC_11 (STATUS_ALL)..... | 134 |
| 7.21 (24h) VOUT_MAX..... | 70 | 7.79 (DCh) MFR_SPECIFIC_12 (STATUS_PHASE)..... | 136 |
| 7.22 (25h) VOUT_MARGIN_HIGH..... | 71 | 7.80 (E3h) MFR_SPECIFIC_19 (PGOOD_CONFIG)..... | 137 |
| 7.23 (26h) VOUT_MARGIN_LOW..... | 72 | 7.81 (E4h) MFR_SPECIFIC_20 (SYNC_CONFIG)..... | 139 |
| 7.24 (27h) VOUT_TRANSITION_RATE..... | 73 | 7.82 (ECh) MFR_SPECIFIC_28 (STACK_CONFIG)..... | 140 |
| 7.25 (29h) VOUT_SCALE_LOOP..... | 74 | 7.83 (EDh) MFR_SPECIFIC_29 (MISC_OPTIONS)..... | 141 |
| 7.26 (2Bh) VOUT_MIN..... | 75 | 7.84 (EEh) MFR_SPECIFIC_30 (PIN_DETECT_OVERRIDE)..... | 142 |
| 7.27 (33h) FREQUENCY_SWITCH..... | 76 | 7.85 (EFh) MFR_SPECIFIC_31 (DEVICE_ADDRESS)..... | 144 |
| 7.28 (35h) VIN_ON..... | 77 | 7.86 (F0h) MFR_SPECIFIC_32 (NVM_CHECKSUM)..... | 145 |
| 7.29 (36h) VIN_OFF..... | 78 | 7.87 (F1h) MFR_SPECIFIC_33 (SIMULATE_FAULT)..... | 146 |
| 7.30 (37h) INTERLEAVE..... | 79 | 7.88 (FAh) MFR_SPECIFIC_42 (PASSKEY)..... | 148 |
| 7.31 (38h) IOUT_CAL_GAIN..... | 81 | 7.89 (FBh) MFR_SPECIFIC_43 (EXT_WRITE_PROTECT)..... | 149 |
| 7.32 (39h) IOUT_CAL_OFFSET..... | 82 | 7.90 (FCh) MFR_SPECIFIC_44 (FUSION_ID0)..... | 152 |
| 7.33 (40h) VOUT_OV_FAULT_LIMIT..... | 83 | 7.91 (FDh) MFR_SPECIFIC_45 (FUSION_ID1)..... | 153 |
| 7.34 (41h) VOUT_OV_FAULT_RESPONSE..... | 84 | | |
| 7.35 (42h) VOUT_OV_WARN_LIMIT..... | 85 | 8 Application and Implementation | 155 |
| 7.36 (43h) VOUT_UV_WARN_LIMIT..... | 86 | | |
| 7.37 (44h) VOUT_UV_FAULT_LIMIT..... | 87 | | |
| 7.38 (45h) VOUT_UV_FAULT_RESPONSE..... | 88 | | |
| 7.39 (46h) IOUT_OC_FAULT_LIMIT..... | 89 | | |
| 7.40 (47h) IOUT_OC_FAULT_RESPONSE..... | 91 | | |

| | | | |
|---|------------|--|------------|
| 8.1 Application Information..... | 155 | 9.3 Support Resources..... | 172 |
| 8.2 Typical Application..... | 155 | 9.4 Trademarks..... | 172 |
| 8.3 Two-Phase Application..... | 163 | 9.5 Electrostatic Discharge Caution..... | 173 |
| 8.4 Power Supply Recommendations..... | 170 | 9.6 Glossary..... | 173 |
| 8.5 Layout..... | 170 | 10 Revision History..... | 173 |
| 9 Device and Documentation Support..... | 172 | 11 Mechanical, Packaging, and Orderable | |
| 9.1 Device Support..... | 172 | Information..... | 174 |
| 9.2 Receiving Notification of Documentation Updates.. | 172 | | |

4 Pin Configuration and Functions

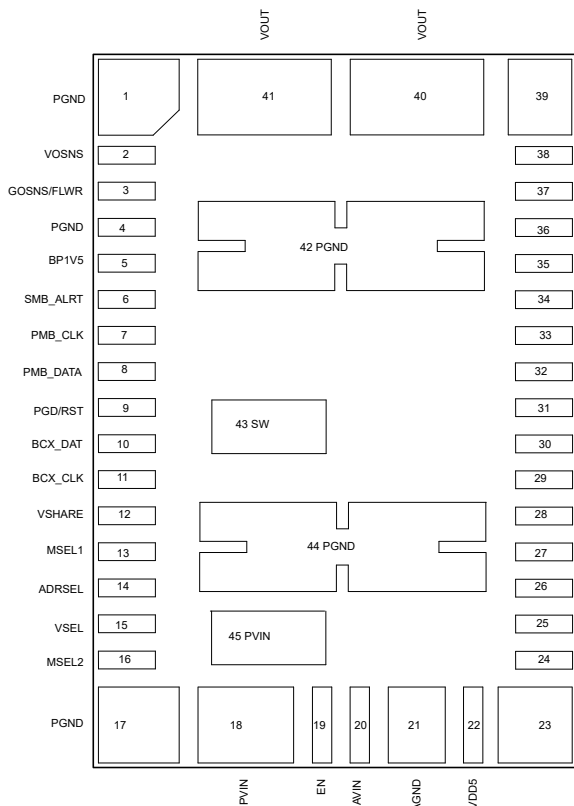


Figure 4-1. 45-Pin QFM-MOY Package (Top View)

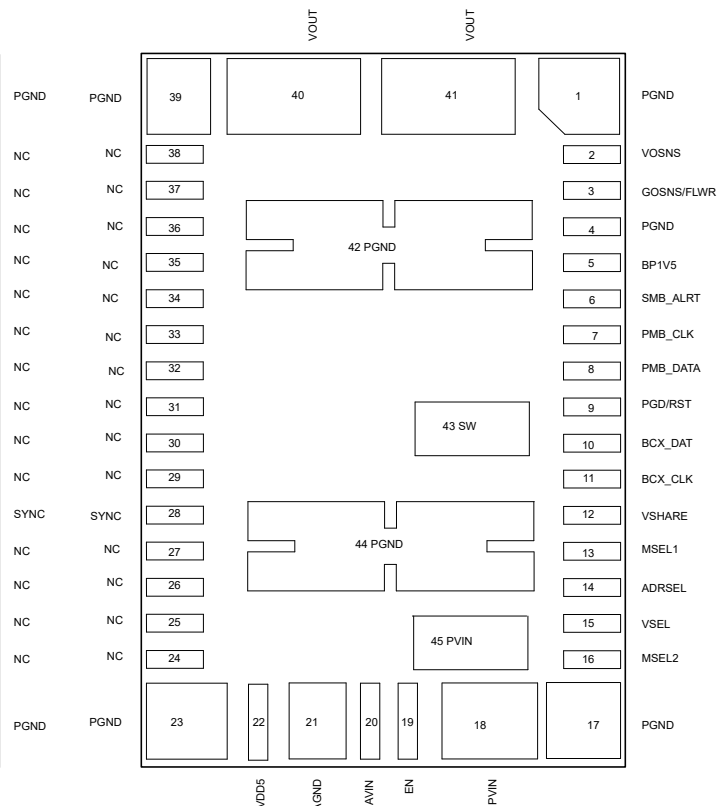


Figure 4-2. 45-Pin QFM-MOY Package (Bottom View)

Table 4-1. Pin Functions

| PIN | | TYPE ⁽¹⁾ | DESCRIPTION |
|------------|--------------------------|---------------------|--|
| NAME | NO. | | |
| PGND | 1, 4, 17, 23, 39, 42, 44 | — | Power stage ground return. Pins 42 and 44 also act as the thermal pad of the device. |
| VOSNS | 2 | I | The positive input of the remote sense amplifier. For a standalone device or a loop controller device in a multi-phase configuration, connect the VOSNS pin to the output voltage at the load. For the loop follower device in a multi-phase configuration, the remote sense amplifier is not required for output voltage sensing or regulation and this pin can be left floating. If used to monitor another voltage with the Phased READ_VOUT command, VOSNS must be maintained between 0V and 0.75V with a < 1kΩ resistor divider due to the internal resistance to GOSNS, which is connected to BP1V5. |
| GOSNS/FLWR | 3 | I | The negative input of the remote sense amplifier for a loop controller device or pull up high to indicate loop follower. For a standalone device or a loop controller device in a multi-phase configuration, connect the GOSNS pin to the ground at the load. For the loop follower device in a multi-phase configuration, the GOSNS pin must be pulled up to BP1V5 to indicate the device is a loop follower. |
| BP1V5 | 5 | O | Output of the 1.5V internal regulator for MSEL, VSEL, and ADRSEL pins. No external bypassing required. Not designed to power other circuits. |
| SMB_ALRT | 6 | O | SMBus alert pin. See SMBus specification. |
| PMB_CLK | 7 | I | PMBus CLK pin. See the Current PMBus Specifications . |
| PMB_DATA | 8 | I/O | PMBus DATA pin. See the Current PMBus Specifications . |

Table 4-1. Pin Functions (continued)

| PIN | | TYPE ⁽¹⁾ | DESCRIPTION |
|-------------|--|---------------------|--|
| NAME | NO. | | |
| PGD/RST | 9 | I/O | Open-drain power good or (21h) <i>VOUT_COMMAND</i> RESET#. As determined by user-programmable RESET# bit in (EDh) <i>MFR_SPECIFIC_29 (MISC_OPTIONS)</i> . The default pin function is an open-drain power-good indicator. When configured as RESET#, an internal pullup can be enabled or disabled by the PULLUP# bit in (EDh) <i>MFR_SPECIFIC_29 (MISC_OPTIONS)</i> . |
| BCX_DATA | 10 | I/O | Data for back-channel communications between stacked devices |
| BCX_CLK | 11 | I/O | Clock for back-channel communications between stacked devices |
| VSHARE | 12 | I/O | Voltage sharing signal for multi-phase operation. For a standalone device, the VSHARE pin must be left floating. VSHARE can be bypassed to AGND with up to 50pF of capacitance. |
| MSEL1 | 13 | I | Connect this pin to a 1% tolerance or better resistor divider between BP1V5 and AGND for different options of switching frequency and internal compensation parameters. See Programming MSEL1 . |
| ADRSEL | 14 | I | Connect this pin to a 1% tolerance or better resistor divider between BP1V5 and AGND for different options of PMBus addresses and frequency sync (including determination of SYNC pin as SYNCIN or SYNCOUT function). See Programming ADRSEL . |
| VSEL | 15 | I | Connect this pin to a 1% tolerance or better resistor divider between BP1V5 and AGND for different options of internal voltage feedback dividers and default output voltage. See Programming VSEL . |
| MSEL2 | 16 | I | Connect this pin to a 1% tolerance or better resistor divider between BP1V5 and AGND for different options of soft-start time, overcurrent fault limit, and multiphase information. See Programming MSEL2 or Programming MSEL2 for a Loop Follower Device (GOSNS Tied to BP1V5) for a loop follower device GOSNS tied to BP1V5. |
| EN/UVLO | 19 | I | Enable switching as the PMBus CONTROL pin. EN/UVLO can also be connected to a resistor divider to program input voltage UVLO. |
| PVIN | 18,45 | I | Input power to the power stage. Low-impedance bypassing of these pins to PGND is critical. PVIN to PGND must be bypassed with X5R or better ceramic capacitors rated for at least 1.5 × the maximum PVIN voltage. |
| AVIN | 20 | I | Input power to the controller |
| AGND | 21 | — | Analog ground return for controller. Connect the AGND pin directly to the thermal pad on the PCB board. |
| VDD5 | 22 | O | Output of the 5V internal regulator. A bypassing capacitor is integrated and no external bypassing is required. |
| SYNC | 28 | I/O | For frequency synchronization, this pin can be programmed as SYNC IN or SYNC OUT pin by the ADRSEL pin or the (E4h) <i>MFR_SPECIFIC_20 (SYNC_CONFIG)</i> PMBus command. SYNC pin can be left floating when not used. |
| VOUT | 40, 41 | O | Output of power module. Connect to output bypass capacitors to this pin. |
| Thermal Pad | 42, 44 | — | The thermal pad is the PGND pin made with a large area of copper to improve thermal conductivity to PCB. The thermal pad must have adequate solder coverage for best thermal performance. |
| SW | 43 | I/O | Switched power output of the device. Connect the output averaging filter and bootstrap to this group of pins if needed. |
| NC | 24, 25, 26, 27, 29, 30, 31, 32, 33, 34, 35, 36, 37, 38 | — | No connection |

(1) I = input, O = output

5 Specifications

5.1 Absolute Maximum Ratings

over operating free-air temperature range (unless otherwise noted) ⁽¹⁾

| | | MIN | MAX | UNIT |
|---|--|------|------|------|
| Input voltage | AVIN | -0.3 | 18 | V |
| | PVIN | -0.3 | 16 | |
| | PVIN_A, PVIN_B, < 2ms transient | -0.3 | 19 | |
| | EN/UVLO, VOSNS, SYNC, VSEL, MSEL1, MSEL2, ADRSEL | -0.3 | 5.5 | |
| | VSHARE, GOSNS/LOOP FLWR | -0.3 | 1.98 | |
| | PMB_CLK, PMB_DATA, BCX_CLK, BCX_DAT | -0.3 | 5.5 | |
| | VDD5 external bias range | 4.25 | 5.25 | |
| Output voltage | VOUT | 0.5 | 5.5 | V |
| | VDD5, SMB_ALRT, PGD/RST | -0.3 | 5.5 | |
| | BP1V5 | -0.3 | 1.65 | |
| T _J operating junction temperature | | -40 | 150 | °C |
| T _{stg} storage temperature | | -55 | 150 | °C |

- (1) Operation outside the *Absolute Maximum Ratings* may cause permanent device damage. *Absolute Maximum Ratings* do not imply functional operation of the device at these or any other conditions beyond those listed under *Recommended Operating Conditions*. If used outside the *Recommended Operating Conditions* but within the *Absolute Maximum Ratings*, the device may not be fully functional, and this may affect device reliability, functionality, performance, and shorten the device lifetime.

5.2 ESD Ratings

| | | | VALUE | UNIT |
|--------------------|-------------------------|---|-------|------|
| V _(ESD) | Electrostatic discharge | Human-body model (HBM), per ANSI/ESDA/JEDEC JS-001 ⁽¹⁾ | ±2000 | V |
| | | Charged device model (CDM), per ANSI/ESDA/JEDEC JS-002 ⁽²⁾ | ±1500 | |

- (1) JEDEC document JEP155 states that 500V HBM allows safe manufacturing with a standard ESD control process.
(2) JEDEC document JEP157 states that 250V CDM allows safe manufacturing with a standard ESD control process.

5.3 Recommended Operating Conditions

over operating free-air temperature range (unless otherwise noted)

| | | MIN | NOM | MAX | UNIT |
|---------------------------------|--|------|-----|-----|------|
| V _{AVIN} | Controller input voltage with Internal LDO | 4.25 | 12 | 18 | V |
| V _{AVIN} | Controller input voltage with valid external bias applied to VDD5 | 2.95 | 12 | 18 | V |
| V _{PVIN} | Power stage input voltage with Internal LDO | 4.25 | 12 | 16 | V |
| V _{PVIN} | Power stage input voltage with valid external bias applied to VDD5 | 2.95 | 12 | 16 | V |
| V _{OUT} | Output voltage range | 0.5 | | 5.5 | V |
| I _{OUT} _{MAX} | Maximum continuous output current per module | | | 25 | A |
| Phase | Maximum number of stackable phases | | | 4 | |
| T _J | Junction temperature | -40 | | 125 | °C |
| T _A | Ambient temperature | -40 | | 105 | °C |

5.4 Thermal Information

| THERMAL METRIC ⁽¹⁾ | | TPSM8S6B24S | UNIT |
|-------------------------------|--|-------------|------|
| | | QFM (MOW) | |
| | | 59 PINS | |
| R _{θJA} | Junction-to-ambient thermal resistance | 12.6 | °C/W |
| Ψ _{JT} | Junction-to-top characterization parameter | 0.78 | °C/W |
| Ψ _{JB} | Junction-to-board characterization parameter | 9.8 | °C/W |

(1) For more information about traditional and new thermal metrics, see the [Semiconductor and IC Package Thermal Metrics](#) application report.

5.5 Electrical Characteristics

T_J = -40°C to 125°C, V_{PVIN} = V_{AVIN} = 12V, f_{SW} = 550kHz; zero power dissipation (unless otherwise noted)

| PARAMETER | | TEST CONDITIONS | MIN | TYP | MAX | UNIT | |
|--------------------------------|--|--|----------------|------|-------|------|----|
| INPUT SUPPLY | | | | | | | |
| V _{AVIN} | Input supply voltage range | Controller input voltage with internal LDO | 4.25 | | 18 | V | |
| V _{AVIN} | Input supply voltage range | Controller input voltage with valid external bias | 2.95 | | 18 | | |
| V _{PVIN} | Power stage voltage range | Power stage input voltage with internal LDO | 4.25 | | 16 | | |
| V _{PVIN} | Power stage voltage range | Power stage input voltage with valid external bias | 2.95 | | 16 | | |
| I _{AVIN} | Input operating current | Converter not switching, each phase | | 12.5 | 17 | mA | |
| AVIN UVLO | | | | | | | |
| V _{AVINuvlo} | Analog input voltage UVLO for power on reset (PMBus communication) | Enable threshold | | 2.5 | 2.7 | V | |
| | Analog input voltage UVLO for disable | | 2.09 | 2.3 | | V | |
| | Analog input voltage UVLO hysteresis | | | 250 | | mV | |
| t _{delay(uvlo_PMBus)} | Delay from AVIN UVLO to PMBus ready to communicate | AVIN = 3 V | | 8 | | ms | |
| PVIN UVLO | | | | | | | |
| VIN_ON | Power input turn-on voltage | Factory default setting | | 2.75 | | V | |
| | | Programmable range | 2.75 | | 15.75 | | |
| | | Resolution | | 0.25 | | | |
| | | Accuracy | -5% | | 5% | | |
| VIN_OFF | Power input turn-off voltage | Factory default setting | | 2.5 | | V | |
| | | Programmable range | 2.5 | | 15.5 | | |
| | | Resolution | | 0.25 | | | |
| | | Accuracy | -5% | | 5% | | |
| ENABLE AND UVLO | | | | | | | |
| V _{ENuvlo} | EN/UVLO voltage rising threshold | | | 1.05 | 1.1 | V | |
| | EN/UVLO voltage falling threshold | | 0.9 | | | | |
| V _{ENhys} | EN/UVLO voltage hysteresis | No external resistors on EN/UVLO | | 70 | | mV | |
| I _{ENhys} | | V _{EN/UVLO} = 1.1V | 4.5 | 5.5 | 6.5 | μA | |
| | | V _{EN/UVLO} = 0.9V | | -100 | -5 | nA | |
| REMOTE SENSE AMPLIFIER | | | | | | | |
| Z _{RSA} | Remote sense input impedance | VOSNS – GOSNS = 1V | VOSNS to GOSNS | 85 | 130 | 165 | kΩ |

5.5 Electrical Characteristics (continued)

 $T_J = -40^{\circ}\text{C}$ to 125°C , $V_{PVIN} = V_{AVIN} = 12\text{V}$, $f_{SW} = 550\text{kHz}$; zero power dissipation (unless otherwise noted)

| PARAMETER | | TEST CONDITIONS | MIN | TYP | MAX | UNIT |
|--|--|--|--|-----------|--------|---------------|
| $V_{IRNG(GOSNS)}$ | GOSNS input range for regulation accuracy ⁽¹⁾ | $V_{OSNS} - GOSNS = 1\text{V}$, $V_{OUT_SCALE_LOOP} \leq 0.5$ | -0.05 | | 0.05 | V |
| $V_{IRNG(VOSNS)}$ | VOSNS input range for regulation accuracy ⁽¹⁾ | $GOSNS = AGND$, $V_{OUT_SCALE_LOOP} \leq 0.5$ | -0.1 | | 5.5 | V |
| REFERENCE VOLTAGE AND ERROR AMPLIFIER | | | | | | |
| V_{REF} | Reference voltage ⁽¹⁾ | Default setting | | 0.4 | | V |
| | | Reference voltage range ⁽¹⁾ | 0.25 | | 0.75 | V |
| | | Reference voltage resolution ⁽¹⁾ | | 2^{-12} | | V |
| $V_{OUT(ACC)}$ | Output voltage accuracy | $V_{OUT} = 1000\text{mV}$ | $-40^{\circ}\text{C} \leq T_J \leq 150^{\circ}\text{C}$ ⁽²⁾ | | 1.008 | V |
| | | $V_{OUT} = 500\text{mV}$ | | 0.492 | 0.508 | V |
| | | $V_{OUT} = 1500\text{mV}$ | | 1.490 | 1.510 | V |
| | | $V_{OUT} = 1000\text{mV}$ | $0^{\circ}\text{C} \leq T_J \leq 125^{\circ}\text{C}$ ⁽²⁾ | | 1.006 | V |
| | | $V_{OUT} = 500\text{mV}$ | | 0.494 | 0.506 | V |
| | | $V_{OUT} = 1500\text{mV}$ | | 1.492 | 1.508 | V |
| | | $V_{OUT} = 1000\text{mV}$ | $0^{\circ}\text{C} \leq T_J \leq 85^{\circ}\text{C}$ ⁽²⁾ | | 1.005 | V |
| | | $V_{OUT} = 500\text{mV}$ | | 0.495 | 0.505 | V |
| $V_{OUT} = 1500\text{mV}$ | 1.493 | 1.507 | | V | | |
| G_{mEA} | Programmable error amplifier transconductance | | 25 | | 200 | μS |
| | Resolution ⁽¹⁾ | Four settings: 25 μS , 50 μS , 100 μS , 200 μS | | 25 | | |
| | Unloaded bandwidth ⁽¹⁾ | | | 8 | | MHz |
| R_{pEA} | Programmable parallel resistor range | | 5 | | 315 | k Ω |
| | Resolution ⁽¹⁾ | | | 5 | | |
| C_{intEA} | Programmable integrator capacitor range | | 1.25 | | 18.75 | pF |
| | Resolution ⁽¹⁾ | | | 1.25 | | pF |
| C_{pEA} | Programmable parallel capacitor range | | 6.25 | | 193.75 | pF |
| | Resolution ⁽¹⁾ | | | 6.25 | | |
| CURRENT GM AMPLIFIER | | | | | | |
| G_{mBUF} | Programmable current error amplifier transconductance | | 25 | | 200 | μS |
| | Resolution ⁽¹⁾ | Four settings: 25 μS , 50 μS , 100 μS , 200 μS | | 25 | | |
| | Unloaded bandwidth ⁽¹⁾ | | | 17 | | MHz |
| R_{pBUF} | Programmable parallel resistor range | | 5 | | 315 | k Ω |
| | Resolution ⁽¹⁾ | | | 5 | | |
| R_{intBUF} | Programmable integrator resistor range ⁽¹⁾ | | 800 | | 1600 | k Ω |
| | Resolution ⁽¹⁾ | | | 800 | | |
| C_{intBUF} | Programmable integrator capacitor range | | 0.3125 | | 4.6875 | pF |
| | Resolution ⁽¹⁾ | | | 0.3125 | | |
| C_{pBUF} | Programmable parallel capacitor range | | 3.125 | | 96.875 | pF |
| | Resolution ⁽¹⁾ | | | 3.125 | | |

5.5 Electrical Characteristics (continued)

$T_J = -40^{\circ}\text{C}$ to 125°C , $V_{PVIN} = V_{AVIN} = 12\text{V}$, $f_{\text{SW}} = 550\text{kHz}$; zero power dissipation (unless otherwise noted)

| PARAMETER | | TEST CONDITIONS | | MIN | TYP | MAX | UNIT |
|----------------------------|---|---|------------|---------------------------------|------|------------------------|---------------|
| OSCILLATOR | | | | | | | |
| f_{SW} | Adjustment range ⁽²⁾ | | | 275 | | 1100 | kHz |
| | Switching frequency ⁽²⁾ | | | 500 | 550 | 600 | |
| SYNCHRONIZATION | | | | | | | |
| $V_{\text{IH(sync)}}$ | High-level input voltage | | | 1.35 | | | V |
| $V_{\text{IL(sync)}}$ | Low-level input voltage | | | | | 0.8 | |
| $t_{\text{pw(sync)}}$ | Sync input minimum pulse width | | | | | 200 | ns |
| Δf_{SYNC} | SYNC pin frequency range from FREQUENCY_SWITCH frequency ⁽¹⁾ | | | -20% | | 20% | |
| $V_{\text{OH(sync)}}$ | Sync output high voltage | 100 μA load | | $V_{\text{DD5}} - 0.85\text{V}$ | | V_{DD5} | V |
| $V_{\text{OL(sync)}}$ | Sync output low voltage | 2.4mA load | | | | 0.4 | V |
| t_{PLL} | PLL lock time | $F_{\text{sw}} = 550\text{kHz}$, SYNC clock frequency 495kHz–605kHz ⁽¹⁾ | | | | 65 | μs |
| PhaseErr | Phase interleaving error ⁽⁵⁾ | $f_{\text{sw}} < 1.1\text{MHz}$ | | | | 9 | Degree |
| | | $f_{\text{sw}} \geq 1.1\text{MHz}$ | | | | 23 | ns |
| RESET | | | | | | | |
| $V_{\text{IH(reset)}}$ | High-level input voltage ⁽¹⁾ | | | 1.35 | | | V |
| $V_{\text{IL(reset)}}$ | Low-level input voltage | | | | | 0.8 | |
| $t_{\text{pw(reset)}}$ | Minimum RESET_B pulse width | | | | | 200 | ns |
| $R_{\text{pullup(reset)}}$ | Internal pullup resistance | $V_{\text{RESET}} = 0.8\text{V}$ | RESET# = 1 | 25 | 34 | 55 | k Ω |
| $V_{\text{pullup(reset)}}$ | Internal pullup voltage | $I_{\text{RESET}} = 10\mu\text{A}$ | RESET# = 1 | | | $V_{\text{DD5}} - 0.5$ | V |
| VDD5 REGULATOR | | | | | | | |
| V_{VDD5} | Regulator output voltage | Default, $I_{\text{VDD5}} = 10\text{mA}$ | | 4.5 | 4.7 | 4.9 | V |
| | Programmable range ⁽¹⁾ | | | 3.9 | | 5.3 | V |
| | Resolution | | | | 200 | | mV |
| $V_{\text{VDD5(do)}}$ | Regulator dropout voltage | $V_{\text{AVIN}} - V_{\text{VDD5}}$, $V_{\text{AVIN}} = 4.5\text{V}$, $I_{\text{VDD5}} = 25\text{mA}$ | | | 130 | 285 | mV |
| $V_{\text{VDD5ON(IF)}}$ | Enable voltage on VDD5 for pin-strapping | | | | 2.62 | 2.85 | V |
| $V_{\text{VDD5OFF(IF)}}$ | Disable voltage on VDD5 for pin-strapping | | | 2.25 | 2.48 | | V |
| $V_{\text{VDD5ON(SW)}}$ | Switching enable voltage upon VDD5 | | | | | 4.05 | V |
| $V_{\text{VDD5OFF(SW)}}$ | Switching disable voltage upon VDD5 | | | 3.10 | | | V |
| $V_{\text{VDD5UV(hyst)}}$ | Regulator UVLO voltage hysteresis | | | 400 | | | mV |
| $V_{\text{BOOT(drop)}}$ | Bootstrap voltage drop | $I_{\text{BOOT}} = 20\text{mA}$, $V_{\text{DD5}} = 4.5\text{V}$ | | | | 225 | mV |
| BP1V5 REGULATOR | | | | | | | |
| V_{BP1V5} | 1.5V regulator output voltage | $V_{\text{AVIN}} \geq 4.5\text{V}$, $I_{\text{BP1V5}} = 5\text{mA}$ | | 1.42 | 1.5 | 1.58 | V |
| I_{BP1V5SC} | 1.5V regulator short-circuit current ⁽¹⁾ | | | 30 | | | mA |
| PWM | | | | | | | |

5.5 Electrical Characteristics (continued)

$T_J = -40^\circ\text{C}$ to 125°C , $V_{PVIN} = V_{AVIN} = 12\text{V}$, $f_{SW} = 550\text{kHz}$; zero power dissipation (unless otherwise noted)

| PARAMETER | | TEST CONDITIONS | MIN | TYP | MAX | UNIT |
|------------------------|--|--|------|-------|-------|------------|
| $t_{ON(min)}$ | Minimum controllable pulse width ⁽¹⁾ | | | | 20 | ns |
| $t_{OFF(min)}$ | PWM Minimum off time ⁽¹⁾ | | | 400 | 500 | ns |
| SOFT START | | | | | | |
| t_{ON_RISE} | Soft-start time | Factory default setting | | 3 | | ms |
| | | Programmable range ^{(1) (3)} | 0 | | 31.75 | |
| | | Resolution | | 0.25 | | |
| | | Accuracy, $T_{ON_RISE} = 3\text{ms}$ | -10% | | 15% | |
| $t_{ON_MAX_FLT_LT}$ | Upper limit on the time to power up the output | Factory default setting ⁽⁴⁾ | | 0 | | ms |
| | | Programmable range ^{(1) (4)} | 0 | | 127.5 | |
| | | Resolution | | 0.5 | | |
| | | Accuracy ⁽¹⁾ | -10% | | 15% | |
| t_{ON_DELAY} | Turn-on delay | Factory default setting | | 0 | | ms |
| | | Programmable range ⁽¹⁾ | 0 | | 127.5 | |
| | | Resolution | | 0.5 | | |
| | | Accuracy ⁽¹⁾ | -10% | | 15% | |
| SOFT STOP | | | | | | |
| t_{OFF_FALL} | Soft-stop time | Factory default setting ⁽³⁾ | | 0.5 | | ms |
| | | Programmable range ^{(1) (3)} | 0 | | 31.75 | |
| | | Resolution | | 0.25 | | |
| | | Accuracy, $T_{OFF_FALL} = 1\text{ms}$ | -10% | | 15% | |
| t_{OFF_DELAY} | Turn-off delay | Factory default setting | | 0 | | ms |
| | | Programmable range ⁽¹⁾ | 0 | | 127.5 | |
| | | Resolution | | 0.5 | | |
| | | Accuracy ⁽¹⁾ | -10% | | 15% | |
| POWER STAGE | | | | | | |
| R_{HS} | High-side power device on-resistance | $V_{BOOT} - V_{SW} = 4.5\text{V}$, $T_J = 25^\circ\text{C}$ | | 4.5 | | m Ω |
| R_{LS} | Low-side power device on-resistance | $V_{VDD5} = 4.5\text{V}$, $T_J = 25^\circ\text{C}$ | | 0.9 | | m Ω |
| R_{swpd} | SW internal pulldown resistance | | 3 | 30 | 35 | k Ω |
| $V_{wkdr(on)}$ | Weak high-side gate drive triggering threshold upon PVIN rising | | | 14.75 | | V |
| $V_{wkdr(off)}$ | Weak high-side gate drive recovering threshold upon PVIN falling | | | 14.35 | | V |
| $t_{DEAD(LtoH)}$ | Power stage driver dead-time from low-side off to high-side on | $V_{VDD5} = 4.5\text{V}$, $T_J = 25^\circ\text{C}$ ⁽¹⁾ | | 6 | | ns |
| $t_{DEAD(HtoL)}$ | Power stage driver dead-time from high-side off to low-side on | $V_{VDD5} = 4.5\text{V}$, $T_J = 25^\circ\text{C}$ ⁽¹⁾ | | 6 | | ns |
| CURRENT SHARING | | | | | | |

5.5 Electrical Characteristics (continued)

$T_J = -40^{\circ}\text{C}$ to 125°C , $V_{PVIN} = V_{AVIN} = 12\text{V}$, $f_{SW} = 550\text{kHz}$; zero power dissipation (unless otherwise noted)

| PARAMETER | | TEST CONDITIONS | | MIN | TYP | MAX | UNIT |
|--|---|---|--|-------------------------|-------------------------|-------------------------|---------------|
| $I_{SHARE(acc)}$ | Output current sharing accuracy of two devices defined as the ratio of the current difference between two devices to the sum of the two | $I_{OUT} \geq 10\text{A}$ per device ⁽⁵⁾ | | -10% | | 10% | A |
| | Output current sharing accuracy of two devices defined as the current difference between each device and the average of all devices | $I_{OUT} < 10\text{A}$ per device ⁽⁵⁾ | | -1 | | 1 | A |
| V_{VSHARE} | VSHARE fault trip threshold | | | | 0.1 | | V |
| | VSHARE fault release threshold | | | | 0.2 | | |
| LOW-SIDE CURRENT LIMIT PROTECTION | | | | | | | |
| $t_{OFF(OC)}$ | Off time between restart attempts ⁽¹⁾ | Factory default setting | | | $7 \times t_{ON_RISE}$ | | ms |
| | Range | | | $1 \times t_{ON_RISE}$ | | $7 \times t_{ON_RISE}$ | |
| IO_OC_FLT_L MT | Output current overcurrent fault threshold | Factory default setting | | | 52 | | A |
| | | Programmable range | | 8 | | 62 | |
| | | Resolution | | | 2 | | |
| I_{NEGOC} | Negative output current overcurrent protection threshold | | | | -20 | | |
| $I_{OC(acc)}$ | Output current overcurrent fault error | $I_{OUT} = 20\text{A}$ | | -2 | | 4 | A |
| $I_{OC(acc)}$ | Output current overcurrent fault error | $I_{OUT} = 25\text{A}$ ⁽⁵⁾ | | -4 | | 8 | A |
| I_{HSOC} | Output current overcurrent fault accuracy | $I_{OUT} = 10\text{A}$ | | -1 | | 2 | A |
| I_{HSOC} | Output current overcurrent fault accuracy | $I_{OUT} = 20\text{A}$ ⁽⁵⁾ | | -2 | | 4 | A |
| HIGH-SIDE SHORT CIRCUIT PROTECTION | | | | | | | |
| I_{HSOC} | Ratio of high-side short-circuit protection fault threshold over low-side overcurrent limit | $T_J = 25^{\circ}\text{C}$ ⁽⁵⁾ | | 105% | 150% | 200% | |
| | High-side current sense blanking time | | | | 100 | | ns |
| POWER GOOD (PGOOD) AND OVERVOLTAGE/UNDERVOLTAGE WARNING | | | | | | | |
| R_{PGD} | PGD pulldown resistance | $I_{PGD} = 5\text{mA}$ | | | 30 | 50 | Ω |
| $I_{PGD(OH)}$ | Output high open drain leakage current into PGD pin | $V_{PGD} = 5\text{V}$ | | | | 15 | μA |
| $V_{PGD(OL)}$ | PGD pin output low level voltage at no supply voltage | $V_{AVIN} = 0$, $I_{PGD} = 80\mu\text{A}$ | | | | 0.8 | V |

5.5 Electrical Characteristics (continued)

$T_J = -40^{\circ}\text{C}$ to 125°C , $V_{PVIN} = V_{AVIN} = 12\text{V}$, $f_{SW} = 550\text{kHz}$; zero power dissipation (unless otherwise noted)

| PARAMETER | | TEST CONDITIONS | | MIN | TYP | MAX | UNIT | |
|---|--|---|--|------------------|------|-----------------|-------------------|-----|
| V_{OVW} | Overvoltage warning threshold (PGD threshold on VOSNS rising) | Factory default, at VOUT_COMMAND (VOC) = 1V | | 106% | 110% | 114% | VOC | |
| | Range | | | 103% | | 116% | | |
| | Resolution | | | | 1% | | | |
| V_{UVW} | Undervoltage warning threshold (PGD threshold on VOSNS falling) | Factory default, at VOUT_COMMAND (VOC) = 1V | | 86% | 90% | 94% | | |
| | Range | | | 84% | | 97% | | |
| | Resolution | | | | 1% | | | |
| $V_{PGD(\text{rise})}$ | PGD release threshold on VOSNS rising and undervoltage warning deassertion threshold | Factory default, at VOUT_COMMAND (VOC) = 1V | | | 95% | | | |
| $V_{PGD(\text{fall})}$ | PGD threshold on VOSNS falling and overvoltage warning deassertion threshold | Factory default, at VOUT_COMMAND (VOC) = 1V | | | 105% | | | |
| OUTPUT OVERVOLTAGE AND UNDERVOLTAGE FAULT PROTECTION | | | | | | | | |
| V_{OVF} | Overvoltage fault threshold | Factory default, at VOUT_COMMAND (VOC) = 1V | Factory default, at VOUT_COMMAND (VOC) = 1V | 111% | 115% | 119% | | VOC |
| | Range | Factory default, at VOUT_COMMAND (VOC) = 1V | Factory default, at VOUT_COMMAND (VOC) = 1V | 105% | | 140% | | |
| | Resolution | Factory default, at VOUT_COMMAND (VOC) = 1V | Factory default, at VOUT_COMMAND (VOC) = 1V | | 2.5% | | | |
| V_{UVF} | Undervoltage fault threshold | Factory default, at VOUT_COMMAND (VOC) = 1V | Factory default, at VOUT_COMMAND = 1.00V | 81% | 85% | 89% | | |
| | Range | Factory default, at VOUT_COMMAND = 1.00V | Factory default, at VOUT_COMMAND = 1.00V | 60% | | 95% | | |
| | Resolution | Factory default, at VOUT_COMMAND = 1.00V | Factory default, at VOUT_COMMAND = 1.00V | | 2.5% | | | |
| $V_{OVF(\text{fix})\text{OFF}}$ | Fixed overvoltage fault threshold | Factory default, at VOUT_COMMAND (VOC) = 1V | Factory default, at VOUT_COMMAND = 1.00V | 1.15 | 1.2 | 1.25 | V | |
| | Recovery threshold ⁽¹⁾ | Factory default, at VOUT_COMMAND = 1.00V | Factory default, at VOUT_COMMAND = 1.00V | | 0.4 | | | |
| OUTPUT VOLTAGE TRIMMING | | | | | | | | |
| V_{OUTRES} | | | Default resolution of VOUT_COMMAND, trim and margin, VOUT_SCALE_LOOP = 0.5 | 1.90 | 1.95 | 2.00 | mV | |
| | | | Programmable range ⁽¹⁾ | 2 ⁻¹² | | 2 ⁻⁵ | V | |
| $V_{OUT_TRAN_RT}$ | Output voltage transition rate | Factory default setting | | | 1 | | mV/ μs | |
| | | Programmable range ⁽¹⁾ | | 0.063 | | 15.933 | | |
| | | Accuracy | | -10% | | 10% | | |
| $V_{OUT_SCL_LP}$ | Feedback loop scaling factor ⁽¹⁾ | Factory default setting | | | 0.5 | | | |
| | | Programmable range, four discrete settings | | 0.125 | | 1 | | |

5.5 Electrical Characteristics (continued)

$T_J = -40^{\circ}\text{C}$ to 125°C , $V_{PVIN} = V_{AVIN} = 12\text{V}$, $f_{SW} = 550\text{kHz}$; zero power dissipation (unless otherwise noted)

| PARAMETER | | TEST CONDITIONS | MIN | TYP | MAX | UNIT |
|---|---|--|--|------|------|------|
| VOUT_CMD | Output voltage programmable values | Factory default setting | 0.8 | | | V |
| | | Programmable range | VOUT_SCALE_LOOP = 1 ⁽⁵⁾ | 0.25 | 0.75 | V |
| | | | VOUT_SCALE_LOOP = 0.5 | 0.25 | 1.5 | |
| | | | VOUT_SCALE_LOOP = 0.25 ⁽⁵⁾ | 0.25 | 3 | |
| | | | VOUT_SCALE_LOOP = 0.125 ⁽⁵⁾ | 0.25 | 3.6 | |
| TEMPERATURE SENSE AND THERMAL SHUTDOWN | | | | | | |
| T _{SD} | Bandgap thermal shutdown temperature ⁽¹⁾ | | 150 | 170 | | °C |
| T _{HYST} | Bandgap thermal shutdown hysteresis ⁽¹⁾ | | | 25 | | |
| OT_FLT_LMT | Internal overtemperature fault limit ⁽¹⁾ | Factory default setting | 150 | | | |
| | | Programmable range | 0 | 160 | | |
| | | Resolution | 1 | | | |
| OT_WRN_LMT | Internal overtemperature warning limit ⁽¹⁾ | Factory default setting | 125 | | | |
| | | Programmable range | 0 | 160 | | |
| | | Resolution | 1 | | | |
| T _{OT(hys)} | Internal overtemperature fault, warning hysteresis ⁽¹⁾ | Factory default setting | 25 | | | |
| MEASUREMENT SYSTEM | | | | | | |
| M _{VOUT(mg)} | Output voltage measurement range ⁽¹⁾ | | 0 | 6 | | V |
| M _{VOUT(acc)} | Output voltage measurement accuracy | 250mV < V _{OUT} < 6V | -2% | 2% | | |
| M _{VOUT(lsb)} | Output voltage measurement bit resolution ⁽¹⁾ | | 244 | | | μV |
| M _{IOUT(mg)} | Output current measurement range ⁽¹⁾ | | -5 | 30 | | A |
| M _{IOUT(acc)} | Output current measurement accuracy ⁽⁵⁾ | I _{OUT} ≤ 5A, T _J = 25°C | -1 | 0 | 1 | A |
| M _{IOUT(acc)} | Output current measurement accuracy ⁽⁵⁾ | I _{OUT} = 10A, -40°C ≤ T _J ≤ 150°C | -1.5 | 0 | 1.5 | A |
| M _{IOUT(acc)} | Output current measurement accuracy ⁽⁵⁾ | I _{OUT} = 20A, -40°C ≤ T _J ≤ 150°C | -2 | 0 | 2 | A |
| M _{IOUT(acc)} | Output current measurement accuracy ⁽⁵⁾ | I _{OUT} = 10A, 0°C ≤ T _J ≤ 85°C | -1.3 | 0 | 1.3 | A |
| M _{IOUT(acc)} | Output current measurement accuracy ⁽⁵⁾ | I _{OUT} = 20A, 0°C ≤ T _J ≤ 85°C | -1.5 | 0 | 1.5 | A |
| M _{IOUT(lsb)} | Output current measurement bit resolution ⁽¹⁾ | | 2 ⁻⁶ | | | A |
| M _{PVIN(mg)} | Input voltage measurement range ⁽¹⁾ | | 0 | 20 | | V |
| M _{PVIN(acc)} | Input voltage measurement accuracy | 4V < PVIN < 20V | -3% | 3% | | |
| M _{TSNS(acc)} | Internal temperature sense accuracy ⁽⁵⁾ | -40°C ≤ T _J ≤ 150°C | -3 | 3 | | °C |
| M _{TSNS(lsb)} | Internal temperature sense bit resolution ⁽¹⁾ | | 0.25 | | | |
| PMBUS INTERFACE + BCX | | | | | | |

5.5 Electrical Characteristics (continued)

$T_J = -40^{\circ}\text{C}$ to 125°C , $V_{PVIN} = V_{AVIN} = 12\text{V}$, $f_{SW} = 550\text{kHz}$; zero power dissipation (unless otherwise noted)

| PARAMETER | | TEST CONDITIONS | MIN | TYP | MAX | UNIT |
|----------------------|--|--|------|-----|------|---------------|
| $V_{IH(PMBUS)}$ | High-level input voltage on PMB_CLK, PMB_DATA, BCX_CLK, BCX_DAT | | 1.35 | | | V |
| $V_{IL(PMBUS)}$ | Low-level input voltage on PMB_CLK, PMB_DATA, BCX_CLK, BCX_DAT | | | | 0.8 | |
| $I_{IH(PMBUS)}$ | Input high level current into PMB_CLK, PMB_DATA | | -10 | | 10 | μA |
| $I_{IL(PMBUS)}$ | Input low level current into PMB_CLK, PMB_DATA | | -10 | | 10 | μA |
| $V_{OL(PMBUS)}$ | Output low level voltage on PMB_DATA, SMB_ALRT, BCX_DAT | $V_{AVIN} > 4.5\text{V}$, input current to PMB_DATA, SMB_ALRT, BCX_DAT = 20mA | | | 0.4 | V |
| $I_{OH(PMBUS)}$ | Output high level open-drain leakage current into PMB_DATA, SMB_ALRT | Voltage on PMB_DATA, SMB_ALRT = 5.5V | | | 10 | μA |
| $I_{OL(PMBUS)}$ | Output low level open-drain sinking current on PMB_DATA, SMB_ALRT, BCX_DAT | Voltage on PMB_DATA, SMB_ALRT, BCX_DAT = 0.4V | 20 | | | mA |
| f_{PMBUS_CLK} | PMBus operating frequency range | GOSNS = AGND | 10 | | 1000 | kHz |
| C_{PMBUS} | PMBUS_CLK and PMBUS_DATA pin input capacitance ⁽¹⁾ | $V_{pin} = 0.1\text{V}$ to 1.35V | | | 5 | pF |
| N_{WR_NVM} | Number of NVM writable cycles ⁽¹⁾ | -40°C to 150°C | 1000 | | | cycle |
| $t_{CLK_STCH(max)}$ | Maximum allowable clock stretch ⁽¹⁾ | | | | 6 | ms |

(1) Specified by design. Not production tested.

(2) The parameter covers 2.95V to 18V of AVIN.

(3) The setting of TON_RISE and TOFF_FALL of 0ms means the unit to bring its output voltage to the programmed regulation value of down to 0 as quickly as possible, which results in an effective TON_RISE and TOFF_FALL time of 0.5ms (fastest time supported).

(4) The setting of TON_MAX_FAULT_LIMIT and TOFF_MAX_WARN_LIMIT of 0 means disabling TON_MAX_FAULT and TOFF_MAX_WARN response and reporting completely.

(5) Not production tested.

5.6 Typical Characteristics

$V_{PIN} = V_{AVIN} = 12V$, $T_A = 25^\circ C$, $f_{sw} = 650kHz$ (unless otherwise specified).

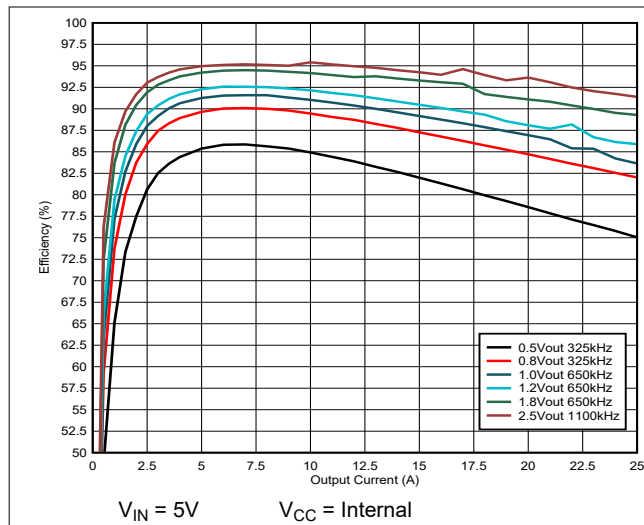


Figure 5-1. TPSM8S6B24S Efficiency vs Output Current

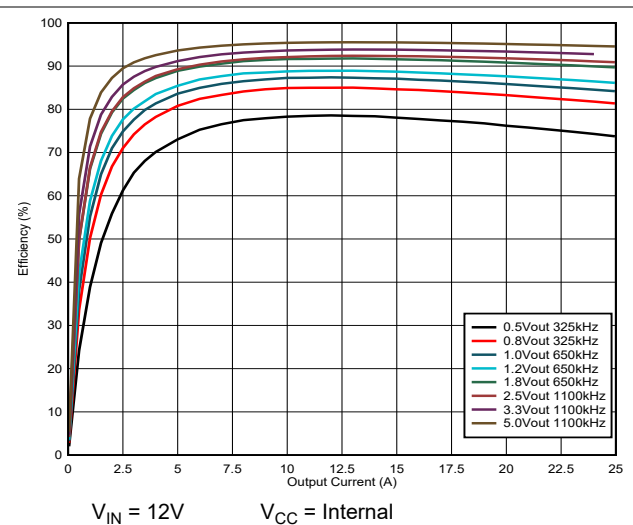


Figure 5-2. TPSM8S6B24S Efficiency vs Output Current

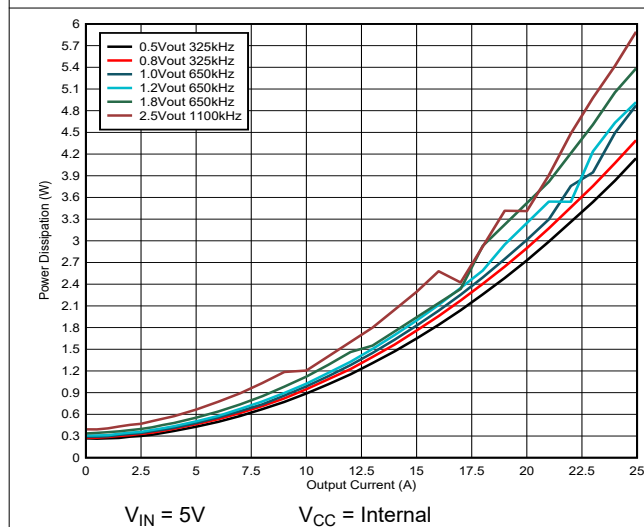


Figure 5-3. TPSM8S6B24S Power Dissipation vs Output Current

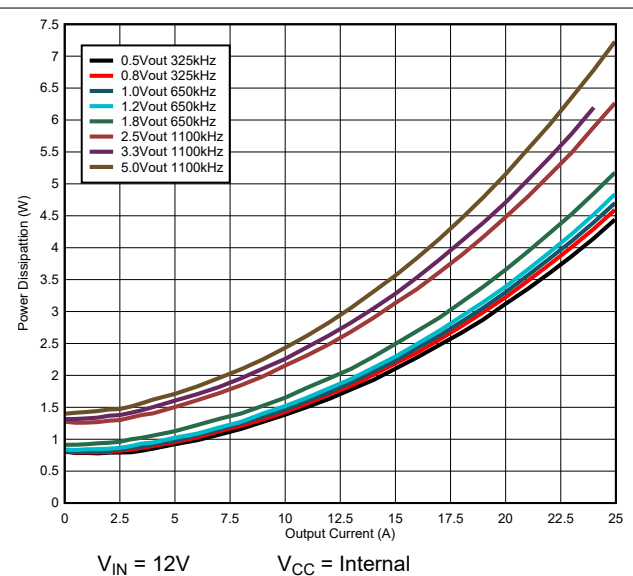


Figure 5-4. TPSM8S6B24S Power Dissipation vs Output Current

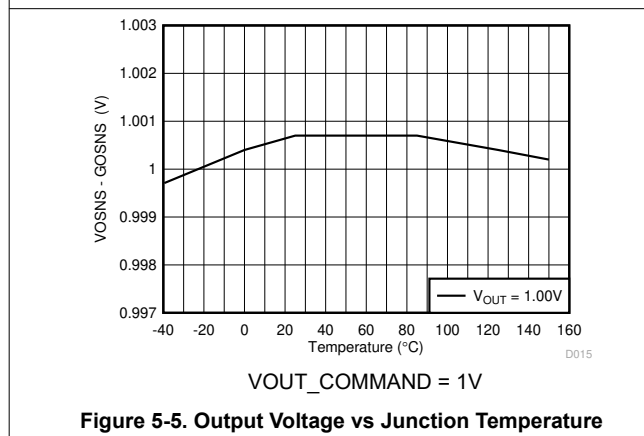


Figure 5-5. Output Voltage vs Junction Temperature

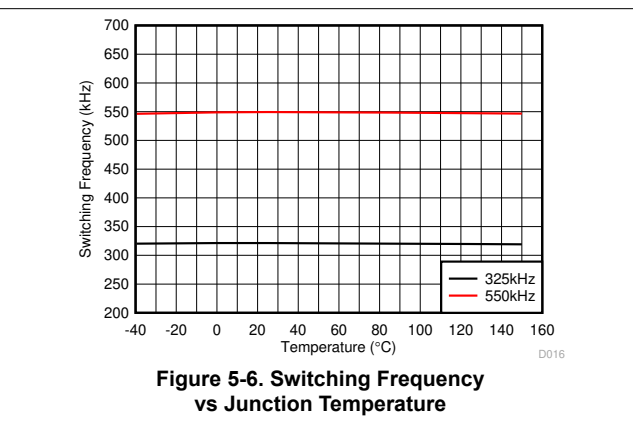


Figure 5-6. Switching Frequency vs Junction Temperature

5.6 Typical Characteristics (continued)

$V_{PIN} = V_{AVIN} = 12V$, $T_A = 25^\circ C$, $f_{sw} = 650kHz$ (unless otherwise specified).

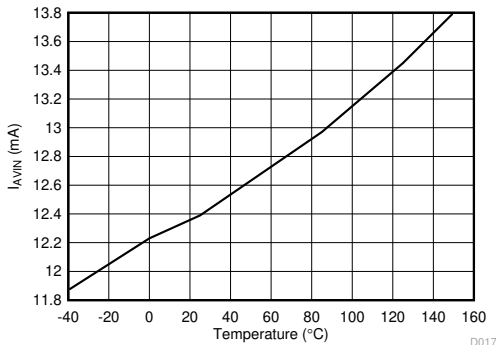
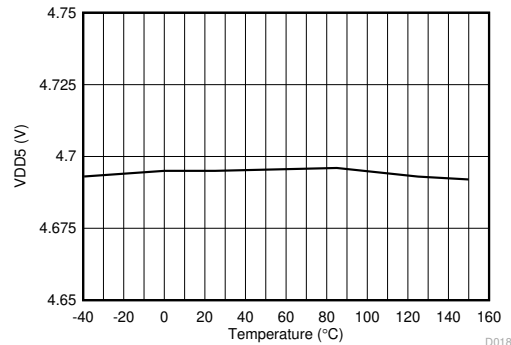
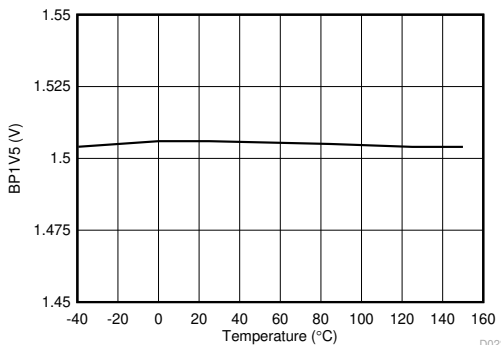


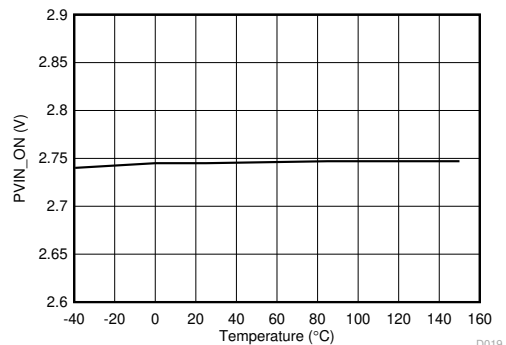
Figure 5-7. Nonswitching Input Current (I_{AVIN}) vs Junction Temperature



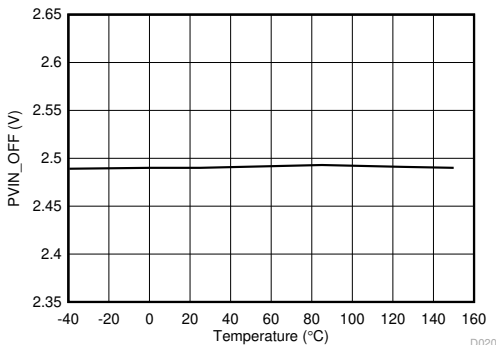
$I_{VDD5} = 10mA$ $V_{PVIN} = V_{AVIN} = 12V$
Figure 5-8. VDD5 Voltage vs Junction Temperature



$I_{BP1V5} = 2mA$ $V_{PVIN} = V_{AVIN} = 12V$
Figure 5-9. BP1V5 Voltage vs Junction Temperature



(35h) $VIN_ON = 2.75V$
Figure 5-10. Turn-On Voltage vs Junction Temperature



(36h) $VIN_OFF = 2.5V$
Figure 5-11. Turn-Off Voltage vs Junction Temperature

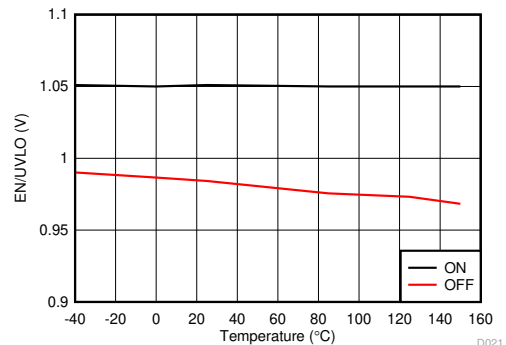


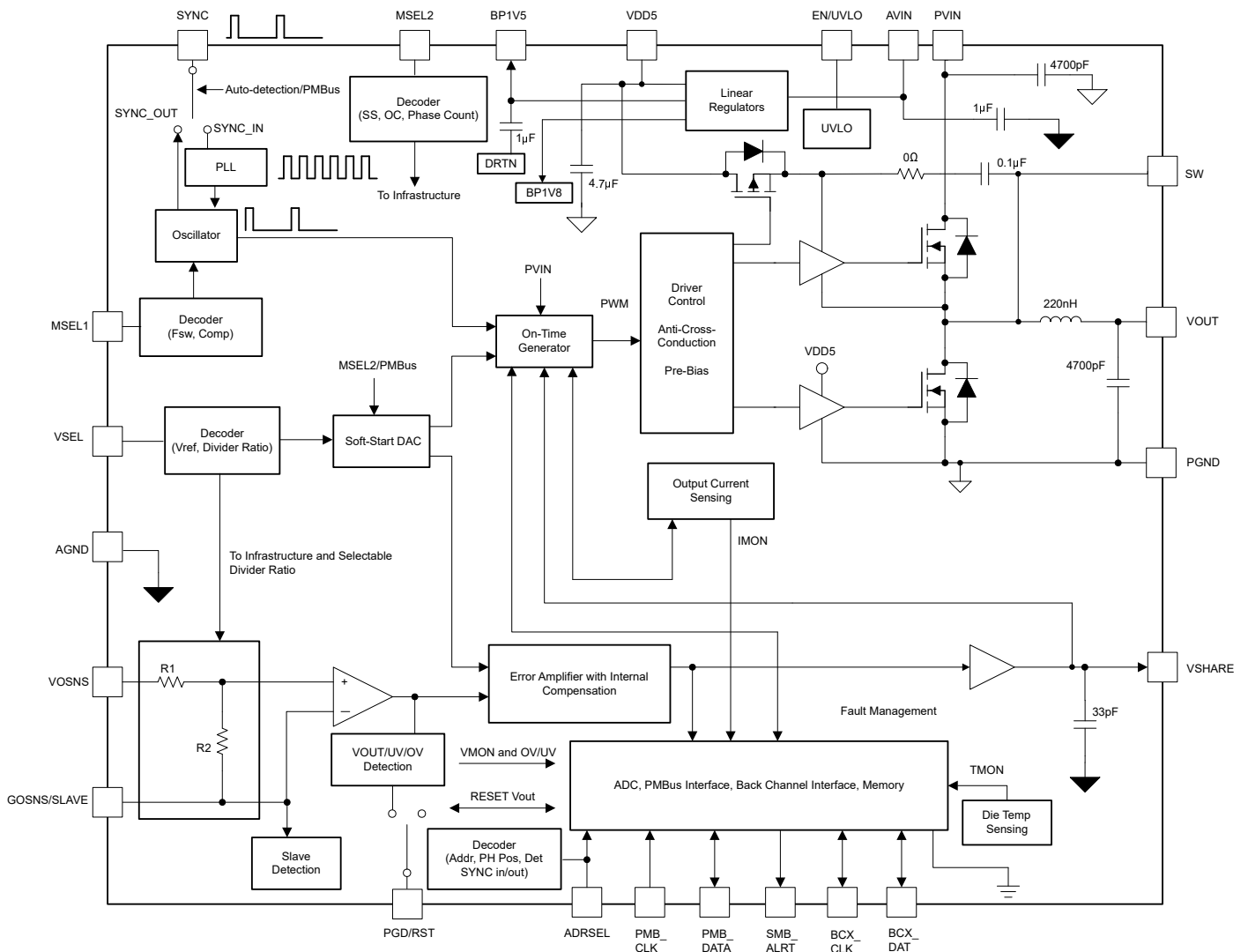
Figure 5-12. EN/UVLO Thresholds vs Junction Temperature

6 Detailed Description

6.1 Overview

The TPSM8S6B24S power module uses a fixed-frequency, proprietary current-mode control. The switching frequency can be selected from preset values through pinstrapping or PMBus programming. The output voltage is sensed through a true differential remote sense amplifier and internal resistor divider, then compared to an internal voltage reference by an error amplifier. An internal oscillator initiates the turn-on of the high-side power switch. The error amplifier output is buffered and shared through VSHARE among stacked devices. This shared voltage is compared to the sensed switch node current to drive a linear voltage ramp modulator with input voltage, output voltage, and switching frequency feedforward to regulate the average switch-node current. As a synchronous buck converter, the device normally works in continuous conduction mode (CCM) under all load conditions. The compensation components are integrated and programmable through the PMBus command (*B1h*) *USER_DATA_01 (COMPENSATION_CONFIG)* or with the external pin *MSEL1* to select preset values based on switching frequency and output LC filters.

6.2 Functional Block Diagram



6.3 Feature Description

6.3.1 Average Current-Mode Control

The TPSM8S6B24S device uses an average current-mode control architecture with independently programmable current error integration and voltage error integration loops. This architecture provides similar performance to peak current-mode control without restricting the minimum on time or minimum off time control, allowing the gain selection of the current loop to effectively set the slope compensation. For help selecting compensation values, customers can use the [TPSM8S6x24 Compensation and Pin-Strap Resistor Calculator](#) design tool.

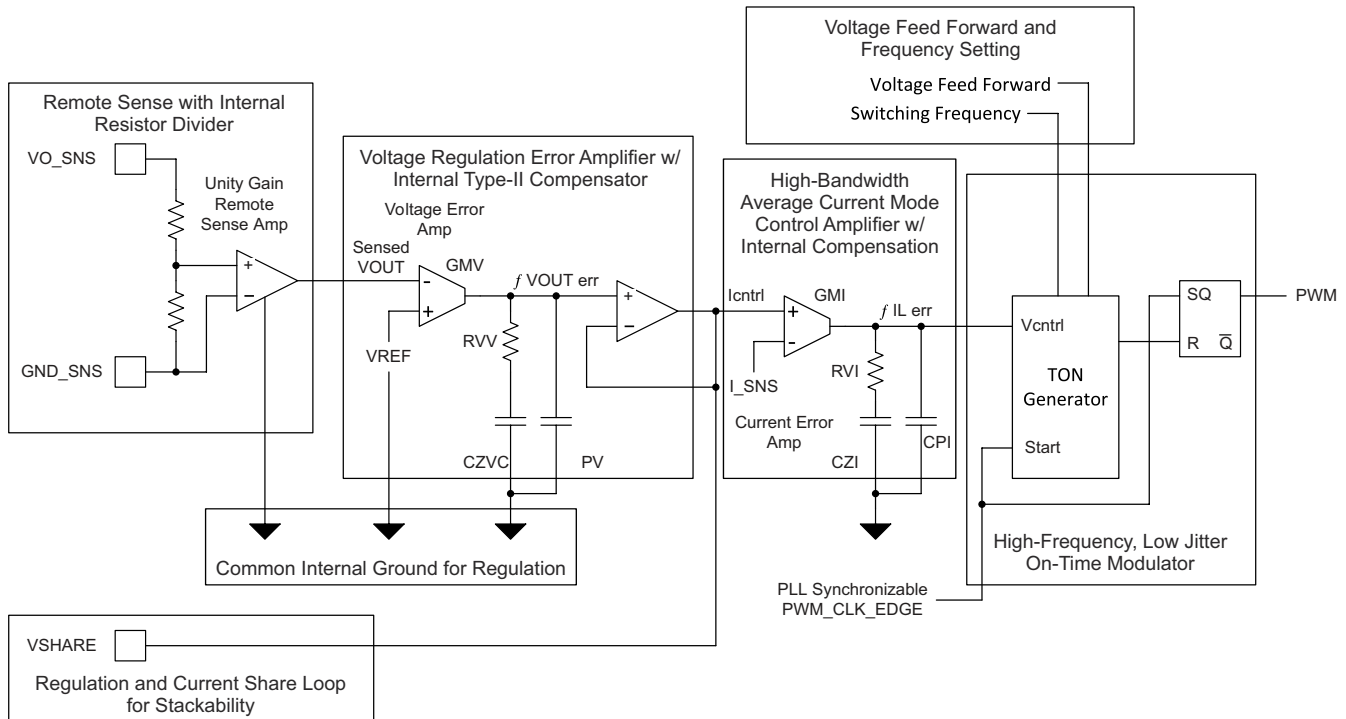


Figure 6-1. Average Current Mode Control Block Diagram

6.3.1.1 On-Time Modulator

The input voltage feedforward modulator converts the integrated current error signal, I_{Lerr} , into an inductor on time that provides a controlled volt-second balance across the inductor over each full switching period that simplifies the current error integration loop design. The modulator produces a full-cycle averaged small signal V_{cntrl} to dI_L/dt transfer function given by Equation 1:

$$\frac{dI_L}{dV_{cntrl}} = \frac{VIN}{Vramp} \times \frac{1}{L} = \frac{5.5}{L} \quad (1)$$

Thus, the inductor current modulator gain is given by Equation 2:

$$\frac{dI_L}{dV_{cntrl}}(f) = \frac{VIN}{Vramp} \times \frac{1}{L \times f} = \frac{5.5}{L \times f} \quad (2)$$

This natural integration $1/f$ function allows the current loop to be compensated by the mid-band gain of the error current integrator. Use $L = 0.47\mu\text{H}$ for calculation.

6.3.1.2 Current Error Integrator

The current error integrator adjusts the modulator control voltage to match the sensed inductor current, I_{SNS} , to the current voltage at the VSHARE pin. The integrator is tuned through the the following parameters in [\(B1h\) USER_DATA_01 \(COMPENSATION_CONFIG\)](#):

- GMI
- RVI
- CZI
- CPI
- CZI_MUL

Thanks to the natural integration of the $1/f$ function of the current control gain, the bandwidth of the current control loop can be adjusted with the mid-band gain of the integrator, $\text{GMI} \times \text{RVI}$.

The current loop crossover occurs at the frequency when the full loop gain is equal to 1 according to [Equation 3](#):

$$|\text{ILOOP}(f)| \times \frac{V_{\text{PVIN}}}{V_{\text{ramp}}} \times \text{CSA} \times \frac{1}{1.7 \times \pi \times f \times L} = 1 \quad (3)$$

Solving for the mid-band gain of the current loop, the user finds [Equation 4](#):

$$\text{ILOOP}_{\text{MB}} = \text{GMI} \times \text{RVI} = \frac{V_{\text{ramp}}}{V_{\text{PVIN}}} \times \frac{1.7}{\text{CSA}} \times L \times \pi \times f_{\text{coi}} \quad (4)$$

While the Nyquist Theorem suggests that a bandwidth of $(1/2) \times f_{\text{SW}}$ is possible, inductor tolerances and phase delays in the current sense, modulator, and H-bridge power FETs make $f_{\text{SW}}/4$ a more practical target, which simplifies the target current loop mid-band gain to achieve a current loop bandwidth of $f_{\text{SW}}/4$ to [Equation 5](#):

$$\text{ILOOP}_{\text{MB}} = \text{GMI} \times \text{RVI} = \frac{V_{\text{ramp}}}{V_{\text{PVIN}}} \times \frac{1.7}{\text{CSA}} \times L \times \pi \times \frac{f_{\text{sw}}}{4} = \frac{1.7 \times \pi}{4 \times 5.5 \times 6.155 \times 10^{-3}} \times L \times f_{\text{sw}} = 39.4 \times L \times f_{\text{sw}} \quad (5)$$

An integrator from DC to the low-frequency zero, $\text{RVI} \times \text{CZI}$, compensates for the valley voltage of the modulator ramp and the nominal offset of the output voltage. A high-frequency filter pole, $\text{RVI} \times \text{CPI}$ between half the switching frequency and the switching frequency reduces high-frequency noise from VSHARE and minimizes pulse-width jitter.

To avoid loop interactions, the integrating zero frequency must be below the voltage loop crossover frequency, while the high-frequency pole must be between $1/2$ the switching frequency and the switching frequency to limit high-frequency noise and jitter in the current loop without imposing additional phase loss in the voltage loop.

The closed loop average current mode control allows the current sense amplifier, on-time modulator, H-bridge power FETs, and inductor to operate as a transconductance amplifier with forward gain of $1/\text{CSA}$ or 162.5A/V with a bandwidth equal to F_{coi} .

6.3.1.3 Voltage Error Integrator

The voltage error integrator regulates the output voltage by adjusting the current control voltage, V_{SHARE} , similar to any current mode control architecture. A transconductance amplifier compares the sense feedback voltage to a programmed reference voltage to set V_{SHARE} to maintain the desired output voltage. While a regulated current source feeding an output capacitance provides a natural, stable integrator, mid-band gain is often desired to improve the loop bandwidth and transient response.

With a transconductance set by the current sense gain, the voltage loop crossover occurs when the full loop gain equals 1 according to [Equation 6](#).

$$\text{VOUT_SCALE_LOOP} \times |\text{VLOOP}(f)| \times \frac{1}{\text{CSA}} \times |\text{Z}_{\text{OUT}}(f)| = 1 \quad (6)$$

To prevent the current integration loop bandwidth from negatively impacting the phase margin of the voltage loop, the voltage loop must have a target bandwidth of $F_{\text{coi}}/2.5$. With a current mode loop of $f_{\text{sw}}/4$, the voltage loop mid-band gain must be [Equation 7](#):

$$V_{\text{LOOP}_{\text{MB}}} = \text{GMV} \times \text{RVV} = \frac{1}{\text{VOUT_SCALE_LOOP}} \times \frac{\text{CSA}}{Z_{\text{OUT}} \left(\frac{f_{\text{sw}}}{10} \right)} \quad (7)$$

An integrator pole is necessary to maintain accurate DC regulation, and the zero-frequency set by $\text{RVV} \times \text{CZV}$ must be set below the lowest crossover frequency with the largest output capacitor intended to be supported at the output, but not more than $1/2$ the target voltage loop crossover frequency, f_{cov} .

A high frequency noise pole, intended to keep switching noise out of the current loop must also be employed, with a high-frequency pole set by $\text{RVV} \times \text{CPV}$ must be set between $f_{\text{sw}}/4$ and f_{sw} .

For pin-programmed options of compensation components, see [Table 6-9](#).

For PMBus programming of compensation values, see [\(B1h\) USER_DATA_01 \(COMPENSATION_CONFIG\)](#).

6.3.2 Linear Regulators

TPSM8S6B24S devices have three internal linear regulators receiving power from AVIN and providing excellent bias (1.5V, 1.8V, and 5V) for the internal circuitry of the device. After AVIN, 1.5V, 1.8V, and 5V reach the respective UVLOs, the device initiates a power-on reset, after which the device can be communicated with through PMBus for configuration and users can store defaults to the NVM.

VDD5 has internally fixed undervoltage lockout of 3.9V (typical) to enable power-stage conversion. The VDD5 regulator can also be fed by an external supply of 4.75V to 5.25V to reduce internal power dissipation and improve efficiency by eliminating the loss in the internal LDO, or to allow operation with AVIN less than 4V. The external supply must be higher voltage than the LDO regulation voltage programmed by [\(B5h\) USER_DATA_05 \(POWER_STAGE_CONFIG\)](#).

TI does not recommend the use of the internal regulators to power other circuits because the loads placed on the regulators can adversely affect operation of the controller.

6.3.3 AVIN and PVIN Pins

The TPSM8S6B24S allows for a variety of applications by using the AVIN and PVIN pins together or separately. The AVIN pin voltage supplies the internal control circuits of the device. The PVIN pin voltage provides the input voltage to the switching power stage. When connected to a single supply, the input voltage for AVIN and PVIN can range from 4V to 16V. If the PVIN is connected to a separate supply from AVIN, the PVIN voltage can be 2.95V to 16V. If PVIN is connected to the same supply as AVIN, then AVIN has to meet a 4V minimum and 16V maximum to drive the controller and driver.

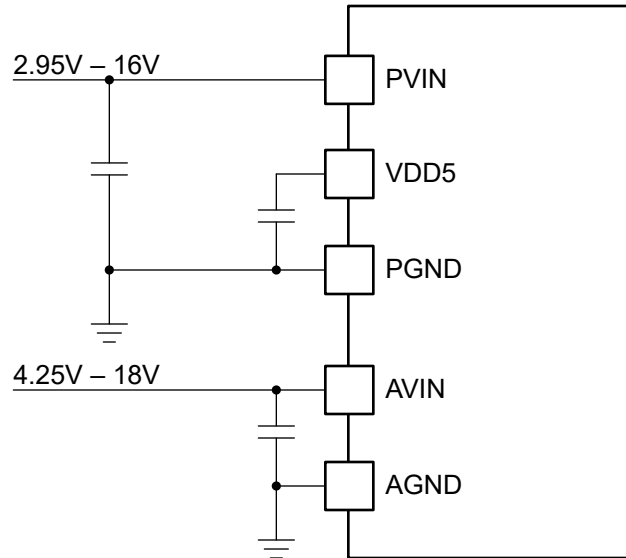


Figure 6-2. TPSM8S6B24S Separate PVIN and AVIN Connections

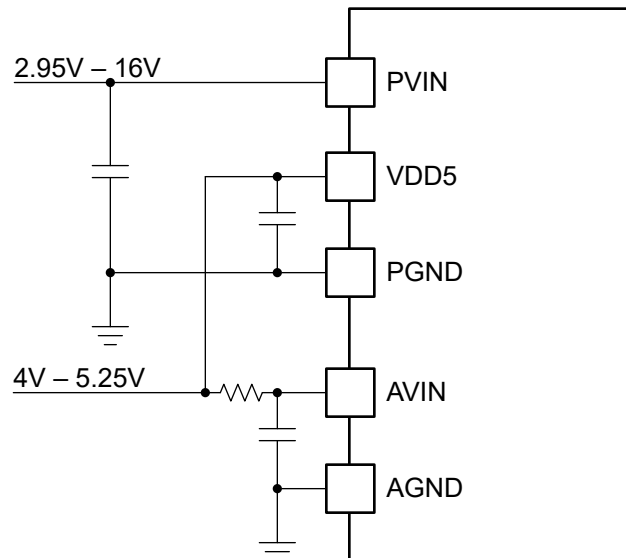


Figure 6-3. TPSM8S6B24S Separate PVIN and AVIN Connections With VDD5

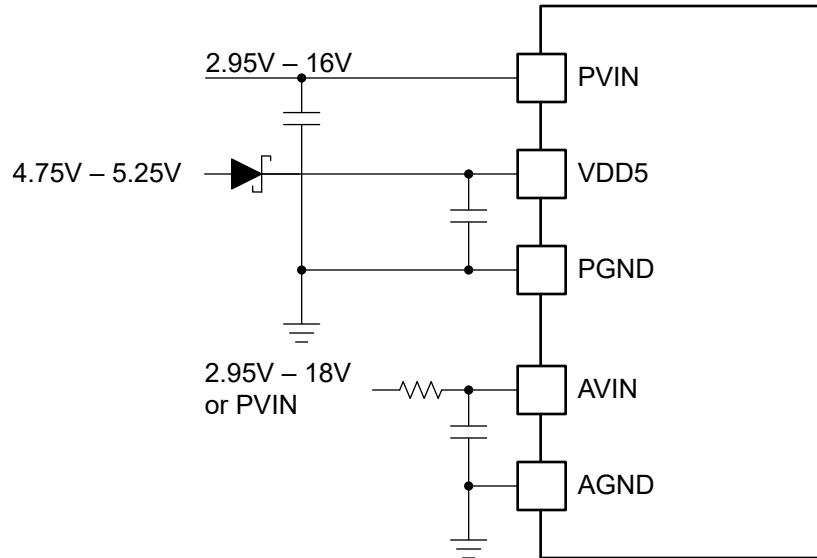


Figure 6-4. TPSM8S6B24S Separate PVIN, AVIN, and VDD5 Connections

6.3.4 Input Undervoltage Lockout (UVLO)

The TPSM8S6B24S provides four independent UVLO functions for the broadest range of flexibility in start-up control. While only the fixed AVIN UVLO is required to enable PMBus connectivity as well as VOUT and TEMPERATURE monitoring, all four UVLO functions must be met before switching can be enabled.

6.3.4.1 Fixed AVIN UVLO

The TPSM8S6B24S has an internally fixed UVLO of 2.5V (typical) on AVIN to enable the digital core and initiate power-on reset, including pin detection. The off-threshold on AVIN is 2.3V (typical).

6.3.4.2 Fixed VDD5 UVLO

The TPSM8S6B24S has an internally fixed UVLO of 3.9V (typical) on VDD5 to enable drivers and output voltage conversion. The off-threshold on VDD5 is 3.5V.

6.3.4.3 Programmable PVIN UVLO

Two PMBus commands ((35h) *VIN_ON* and (36h) *VIN_OFF*) allow the user to set PVIN voltage turn-on and turn-off thresholds independently with 0.25V resolution from 2.75V to 15.75V (6 bit) for (35h) *VIN_ON* and from 2.5V to 15.5V (6 bit) for (36h) *VIN_OFF*.

Note

If (36h) *VIN_OFF* is programmed higher than (35h) *VIN_ON*, the TPSM8S6B24S rapidly switches between enabled and disabled while PVIN remains below (36h) *VIN_OFF*. Propagation delays between enable and disable can result in the converter starting (61h) *TON_RISE* and (65h) *TOFF_FALL* in such conditions.

6.3.4.4 EN/UVLO Pin

The TPSM8S6B24S also offers a precise threshold and hysteresis current source on the EN/UVLO pin so that the device can be used to program an additional UVLO to any external voltage greater than 1.05V (typical), including AVIN, PVIN, or VDD5. For an added level of flexibility, the EN/UVLO pin can be disabled or the logic inverted through the PMBUS command (02h) *ON_OFF_CONFIG*, which allows the pin to be connected to AGND to make sure the output is not enabled until PMBus programming has been completed.

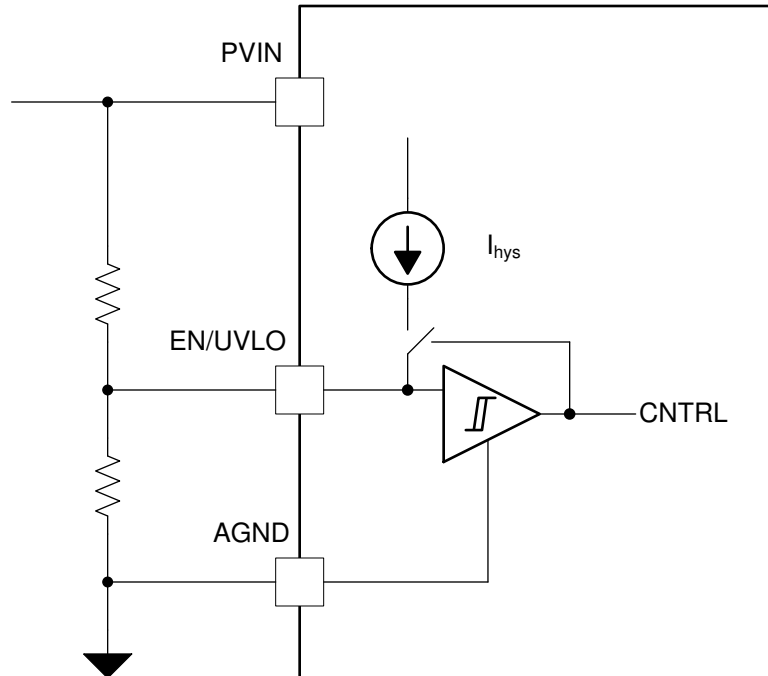


Figure 6-5. TPSM8S6B24S UVLO Voltage Divider

6.3.5 Start-Up and Shutdown

The start-up and shutdown of the device is controlled by several PMBus programmable values including:

- (01h) OPERATION
- (02h) ON_OFF_CONFIG
- (60h) TON_DELAY
- (61h) TON_RISE
- (64h) TOFF_DELAY
- (65h) TOFF_FALL

With the default (02h) ON_OFF_CONFIG settings, the timing is as shown in Figure 6-6. See the [Supported PMBus Commands](#) for full details on the implementation.

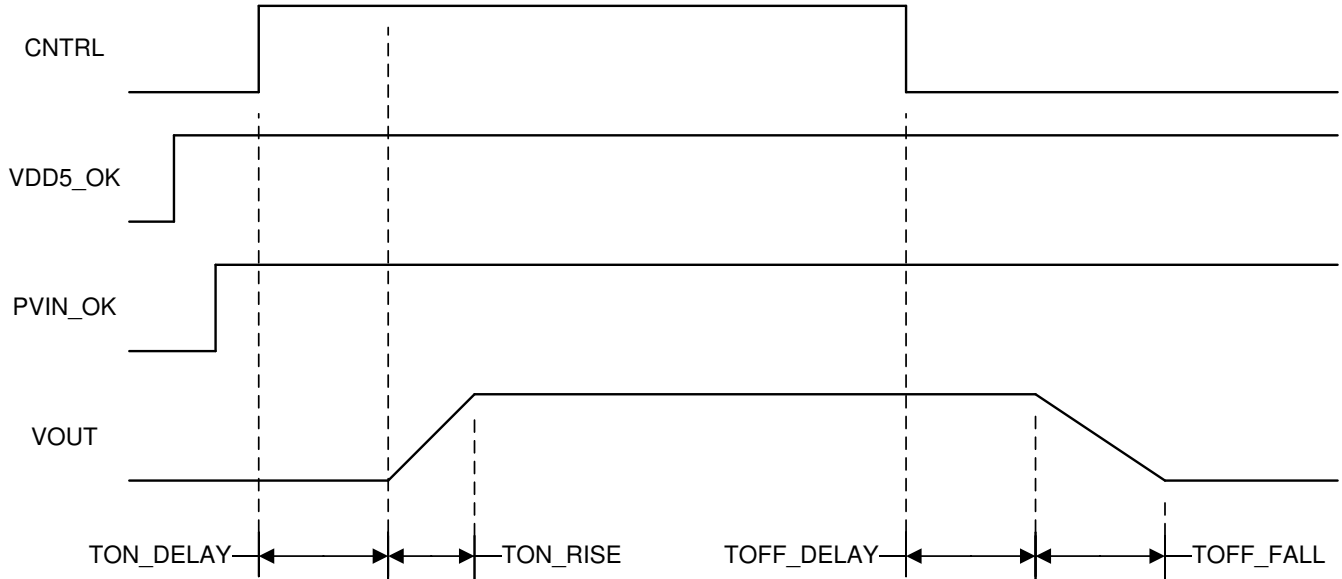


Figure 6-6. TPSM8S6B24S Start-Up and Shutdown

Note

The TPSM8S6B24S requires time between the AVIN and VDD5 reaching the UVLO levels for pin-detection and PMBus communication and valid sensing of EN/UVLO and PVIN_OK. After AVIN and VDD5 exceed the lower UVLO thresholds (2.9V typical), the TPSM8S6B24S starts the power-on-reset, self-calibration, and pin-detection. This time delay, $t_{\text{delay}(uvlo_PMBus)}$ (6ms typical) must be complete before PVIN_OK or EN/UVLO sensing is enabled.

If VDD5_{PS_ON}, PVIN_OK, and EN/UVLO are above the thresholds before the end of $t_{\text{delay}(uvlo_PMBus)}$, (60h) **TON_DELAY** starts after $t_{\text{delay}(uvlo_PMBus)}$ completes.

If VDD5_{PS_ON}, PVIN_OK, or EN/UVLO are below the thresholds when $t_{\text{delay}(uvlo_PMBus)}$ completes, (60h) **TON_DELAY** starts when VDD5_OK, PVIN_OK, and EN/UVLO are all above the thresholds.

6.3.6 Differential Sense Amplifier and Feedback Divider

The TPSM8S6B24S includes a fully integrated, internal, precision feedback divider and remote sense. Using both the selectable feedback divider and precision adjustable reference, output voltages up to 6.0V can be obtained. The feedback divider can be programmed to divider ratios of 1:1, 1:2, 1:4, or 1:8 using the (29h) **VOUT_SCALE_LOOP** command.

The recommended operating range of (21h) **VOUT_COMMAND** is dependent upon the feedback divider ratio configured (29h) **VOUT_SCALE_LOOP** as follows:

Table 6-1. (29h) **VOUT_SCALE_LOOP** and (21h) **VOUT_COMMAND** Recommended Range

| | RECOMMENDED V _{OUT} RANGE (V) |
|-------|--|
| 1 | 0.5 to 0.75 |
| 0.5 | 0.5 to 1.5 |
| 0.25 | 1 to 3 |
| 0.125 | 2 to 6 |

Setting (21h) *VOUT_COMMAND* lower than the recommended range can negatively affect V_{OUT} regulation accuracy while setting (21h) *VOUT_COMMAND* above the recommended range can limit the actual output voltage achieved.

Note

If the regulation output voltage is limited by the recommended range of the current (29h) *VOUT_SCALE_LOOP* value, V_{OUT} can be below the intended (43h) *VOUT_UV_WARN_LIMIT* or (44h) *VOUT_UV_FAULT_LIMIT* without triggering the respective warning or faults due to the limited range of the reference voltage.

6.3.7 Set Output Voltage and Adaptive Voltage Scaling (AVS)

The initial output voltage can be set by the *VSEL* pin at AVIN power up. As part of power-on reset (POR), the *VSEL* pin senses both the resistance from the *VSEL* pin to AGND and the divider ratio of the *VSEL* pin between B1V5 and AGND. These values program (29h) *VOUT_SCALE_LOOP*, (21h) *VOUT_COMMAND*, (2Bh) *VOUT_MIN*, and (24h) *VOUT_MAX* and select the appropriate settings for the internal feedback divider and precision adjustable reference voltage. After the TPSM8S6B24S completes the POR and enables PMBus communication, these initial values can be changed through PMBus communication.

- (20h) *VOUT_MODE*
- (21h) *VOUT_COMMAND*
- (29h) *VOUT_SCALE_LOOP*
- (22h) *VOUT_TRIM*
- (25h) *VOUT_MARGIN_HIGH*
- (26h) *VOUT_MARGIN_LOW*
- (01h) *OPERATION*
- (02h) *ON_OFF_CONFIG*

The output voltage can be programmed through PMBus, and the value is related to the following registers:

- (24h) *VOUT_MAX*
- (2Bh) *VOUT_MIN*
- (40h) *VOUT_OV_FAULT_LIMIT*
- (42h) *VOUT_OV_WARN_LIMIT*
- (43h) *VOUT_UV_WARN_LIMIT*
- (44h) *VOUT_UV_FAULT_LIMIT*

The TPSM8S6B24S defaults to the relative format for the following, but can be changed to use absolute format through the PMBus command (20h) *VOUT_MODE*:

- (25h) *VOUT_MARGIN_HIGH*
- (26h) *VOUT_MARGIN_LOW*
- (40h) *VOUT_OV_FAULT_LIMIT*
- (42h) *VOUT_OV_WARN_LIMIT*
- (43h) *VOUT_UV_WARN_LIMIT*
- (44h) *VOUT_UV_FAULT_LIMIT*

Refer to the detailed description of (20h) *VOUT_MODE* for details.

6.3.7.1 Reset Output Voltage

The (21h) *VOUT_COMMAND* value and the corresponding output voltage can be reset to the last selected power-on reset value set by *VSEL* or EEPROM as selected in the (EEh) *MFR_SPECIFIC_30 (PIN_DETECT_OVERRIDE)* command when the PGD/RST pin function is set to RESET# in the (EDh) *MFR_SPECIFIC_29 (MISC_OPTIONS)* PMBus command. To reset (21h) *VOUT_COMMAND* to the last power-on reset value, when the RESET# optional function is enabled, assert the PGD/RST_B pin low externally. While RESET# is asserted low, (21h) *VOUT_COMMAND* values received through PMBus are ACKed but no change in (21h) *VOUT_COMMAND* is made. When RESET# is selected in (EDh) *MFR_SPECIFIC_29 (MISC_OPTIONS)*,

an internal pullup on the PGD/RST pin can be selected by the PULLUP# bit in the same PMBus command to eliminate the need for an external pullup with the RESET# function.

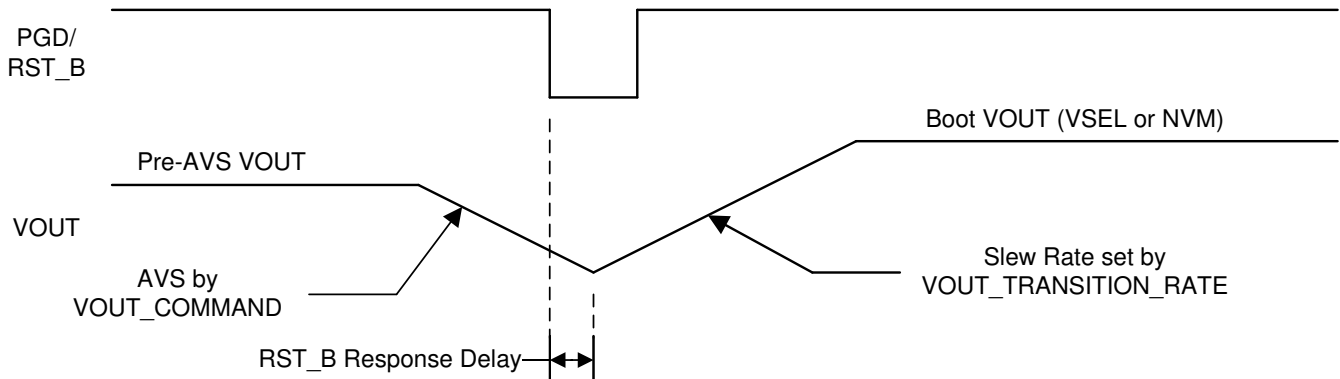


Figure 6-7. TPSM8S6B24S Output Voltage Reset

6.3.7.2 Soft Start

To control the inrush current needed to charge the output capacitor bank during start-up, the TPSM8S6B24S implements a soft-start time programmed by the (61h) *TON_RISE* command. When the device is enabled, the reference voltage ramps from 0V to the final level defined by the following at a slew rate defined by the (61h) *TON_RISE* command:

- (21h) *VOUT_COMMAND*
- (29h) *VOUT_SCALE_LOOP*
- (22h) *VOUT_TRIM*
- (25h) *VOUT_MARGIN_HIGH*
- (26h) *VOUT_MARGIN_LOW*
- (01h) *OPERATION*

The TPSM8S6B24S devices support several soft-start times from 0ms to 31.75ms in 250µs steps (7 bits) selected by the (61h) *TON_RISE* command. The t_{ON_RISE} time is selectable by pinstrapping through the *MSEL2* pin (eight options), PMBus programming, or both.

During soft start, when the PWM pulse width is shorter than the minimum controllable on time, pulse skipping can be seen and the output can show larger ripple voltage than normal operation.

6.3.8 Prebiased Output Start-Up

The TPSM8S6B24S limits current from being discharged from a prebiased output voltage during start-up by preventing the low-side FET from forcing the SW node low until after the first PWM pulse turns on the high-side FET. After VOSNS voltage exceeds the increasing reference voltage and high-side SW pulses start, the TPSM8S6B24S limits the synchronous rectification during each SW period with a narrow on time. The maximum low-side MOSFET on time slowly increases on a cycle-by-cycle basis until 128 switching periods have elapsed and the synchronous rectifier runs fully complementary to the high-side MOSFET. This action limits the sinking of current from a prebiased output, and makes sure the output voltage start-up and ramp-to regulation sequences are monotonically increasing.

In the event of a prebiased output voltage greater than (40h) *VOUT_OV_FAULT_LIMIT*, the TPSM8S6B24S responds as soon as TPSM8S6B24S completes POR and VDD5 is greater than the own 3.9V UVLO, even if conversion is disabled by EN/UVLO or the PMBus (01h) *OPERATION* command.

6.3.9 Soft Stop and (65h) TOFF_FALL Command

When enabled by (02h) *ON_OFF_CONFIG* or (01h) *OPERATION*, the TPSM8S6B24S implements the (65h) *TOFF_FALL* command to force a controlled decrease of the output voltage from regulation to 0. There can be negative inductor current forced during the (65h) *TOFF_FALL* time to discharge the output voltage. The setting of (65h) *TOFF_FALL* of 0ms means the unit to bring the output voltage down to 0 as quickly as possible,

which results in an effective (65h) *TOFF_FALL* time of 0.5ms. When disabled in the (02h) *ON_OFF_CONFIG* for the turn-off controlled by the EN/UVLO pin or bit 6 of (01h) *OPERATION* if the regulator is turned off by (01h) *OPERATION* command, both high-side and low-side FET drivers are turned off immediately and the output voltage slew rate is controlled by the discharge from the external load.

This feature is disabled for EN/UVLO in (02h) *ON_OFF_CONFIG* by default.

6.3.10 Power Good (PGOOD)

When conversion is enabled and t_{ON_RISE} complete, if the output voltage remains between (43h) *VOUT_UV_WARN_LIMIT* and (42h) *VOUT_OV_WARN_LIMIT*, the PGOOD open-drain output is released and allowed to rise to an externally supplied logic level. Upon any fault condition with a shutdown response, the PGOOD open-drain output is asserted, forcing PGOOD low by default. See Table 6-4 for the possible sources to pull down the PGOOD pin.

The PGOOD signal can be connected to the EN/UVLO pin of another device to provide additional controlled turnon and turnoff sequencing.

6.3.11 Set Switching Frequency

An internal oscillator generates a 275kHz to 1.1MHz clock for PWM switching with 16 discrete programmable options. The switching frequency is selectable by pinstrapping through the resistor divider of *MSEL1* (seven options), PMBus programming (nine options), or both, using the (33h) *FREQUENCY_SWITCH* command, listed in Table 6-2.

Table 6-2. Oscillator f_{SW} Options

| Programmable f_{SW} OPTIONS (kHz) | f_{SW} PIN-STRAPPING OPTIONS (kHz) |
|-------------------------------------|--------------------------------------|
| 275 | 275 |
| 325 | 325 |
| 375 | — |
| 450 | 450 |
| 550 | 550 |
| 650 | 650 |
| 750 | — |
| 900 | 900 |
| 1100 | 1100 |

6.3.12 Frequency Synchronization

The oscillator can be synchronized to external clock (SYNC IN) or output a clock to synchronize other devices (SYNC out) on the SYNC pin. To support phase shifted clock for both multi-rail interleaving and multi-phase operation, the internal oscillator can be phase-shifted from the SYNC pin by 0, 90, 120, 180, 240, or 270 degrees for 1-, 2-, 3-, or 4-phase operation. The SYNC IN or SYNC OUT function, and phase position of single phase or standalone devices can be selected by pinstrapping through a resistor divider on at the *ADRSEL* pin, or by the resistor from the *MSEL2* pin to AGND for multi-phase loop follower devices.

In single output multi-phase stack configurations, the SYNC phase offset is programmed along with device count and phase position using the *MSEL2* pin. Loop follower devices in multi-phase stacks are always configured as SYNC_IN while the loop controller device can be configured for auto-detect, SYNC_IN, or SYNC_OUT through the resistor divider on the *ADRSEL* pin.

Table 6-3. Pin Programmed Phase Positions through *ADRSEL* Resistor Divider (Single Phase Standalone)

| RDIV CODE | PHASE POSITION (DEGREE) | SYNC IN and OUT |
|-----------------------------|-------------------------|------------------------|
| Open (No resistor to BP1V5) | 0 | Auto-detect In and Out |
| 0, 1 | 0 | In |
| 2, 3 | 90 | In |

Table 6-3. Pin Programmed Phase Positions through ADRSEL Resistor Divider (Single Phase Standalone) (continued)

| RDIV CODE | PHASE POSITION (DEGREE) | SYNC IN and OUT |
|-----------|-------------------------|-----------------|
| 4, 5 | 120 | In |
| 6, 7 | 180 | In |
| 8, 9 | 240 | In |
| 10,11 | 270 | In |
| 12, 13 | 0 | Out |
| 14, 15 | 180 | Out |

After initial power up and pin detection, if SYNC IN/OUT is set as auto-detection configuration, the TPSM8S6B24S senses the SYNC pin to determine if there is any external SYNC clock. Switching or a consistent pullup on the SYNC pin sets the device for SYNC_IN while a consistent pulldown on SYNC sets the device for SYNC_OUT. The TPSM8S6B24S devices programmed to be loop followers are always programmed to be SYNC IN.

When configured for SYNC_IN, if SYNC input pulses are missed for two cycles, or the oscillator frequency drops below 50% of the free-running switching frequency, the device determines that SYNC clock is lost. If the TPSM8S6B24S is part of a multi-phase stack, the converter shuts down and remains disabled until a SYNC signal is reestablished to prevent damage due to the loss of synchronization. Single phase standalone devices continues to operate at approximately 50% of the nominal frequency.

6.3.13 Loop Follower Detection

The GOSNS/FLWR pin voltage is detected at power up. When the GOSNS/FLWR pin voltage is pulled high to BP1V5, the device is recognized as a loop follower. When the GOSNS/FLWR pin is connected to the output ground, the TPSM8S6B24S is configured as a loop controller.

6.3.14 Current Sensing and Sharing

Both high-side and low-side FET use a SenseFET architecture for current sensing to achieve accurate and temperature-compensated current monitoring. This SenseFET architecture uses the parasitic resistance of the FETs to achieve lossless current sense with no external components.

When multiple (2 ×, 3 ×, or 4 ×) devices operate in a multi-phase application, all devices share the same internal control voltage through the VSHARE pin. The sensed current in each phase is regulated by the VSHARE voltage by an internal transconductance amplifier to achieve loop compensation and current balancing between different phases. The amplifier output voltage is compared with an internal PWM ramp to generate the PWM pulse.

6.3.15 Telemetry

The telemetry subsystem in the controller core supports direct measurements of the following:

- Input voltage
- Output voltage
- Output current
- Die temperature

The ADC supports internal rolling window averaging with rolling windows up to 16 previous measurements for accurate measurements of these key system parameters. Each ADC conversion requires less than 500µs, allowing each telemetry value to be updated within 2ms.

The current sense telemetry, which senses the low-side FET current at the start and end of each low-side FET on time and averages the two measurements to monitor the average inductor current over-report current if the inductor current is non-linear during the low-side FET on time, such as when the inductor is operating above the saturation current.

6.3.16 Overcurrent Protection

Both low-side overcurrent (OC) and high-side short-circuit protection are implemented.

The low-side overcurrent fault and warning thresholds are programmed through PMBus and sensed across cycle-by-cycle average current through the low-side MOSFET and compared to the set warning or fault threshold while high-side pulses are terminated on a cycle-by-cycle basis, if the peak current through the high-side MOSFET exceeds the $1.5 \times$ the programmed low-side threshold.

When either a low-side overcurrent or high-side short-circuit threshold is exceeded during a switching cycle, an OCP fault counter is incremented. If no overcurrent condition is detected in a switching cycle, the counter is decremented. If the counter exceeds the delay selected by the (47h) *IOUT_OC_FAULT_RESPONSE* PMBus value (default = 3), overcurrent fault condition is declared and the output shuts down. Restart and timing is also defined as part of (47h) *IOUT_OC_FAULT_RESPONSE*.

The output OC fault thresholds and fault response are set through PMBUS. The OC fault response can be set to shutdown, restart, or ignore.

6.3.17 Overvoltage, Undervoltage Protection

The voltage on VOSNS pin is monitored to provide output voltage overvoltage (OV) and undervoltage (UV) protection. When VOSNS voltage is higher than OV fault threshold, OV fault is declared and the low-side FET is turned on to discharge the output voltage and eliminate the OV condition. The low-side FET remains on until the VOSNS voltage is discharged to 200mV divide by the internal feedback divider as programmed by (29h) *VOUT_SCALE_LOOP*. After the output voltage is discharged, the output is disabled and the converter times out and restarts according to the (41h) *VOUT_OV_FAULT_RESPONSE* PMBus command. When VOSNS voltage is lower than UV fault threshold, UV fault is declared. After an initial delay programmed by the (45h) *VOUT_UV_FAULT_RESPONSE* PMBus command, the output is disabled and the converter times out and restarts according to the (45h) *VOUT_UV_FAULT_RESPONSE* PMBus command.

The output UV/OV fault thresholds and fault response are set through PMBUS. The UV/OV fault response can be set to shutdown, restart, or continue operating without interruption.

6.3.18 Overtemperature Management

There are two schemes of overtemperature protections in the TPSM8S6B24S:

1. On-chip die temperature sensor for monitoring and overtemperature protection (OTP)
2. The bandgap based thermal shutdown (TSD) protection. TSD provides OT fail-safe protection in the event of a failure of the temperature telemetry system, but can be disabled through (50h) *OT_FAULT_RESPONSE* for high temperature testing

The overtemperature protection (OTP) threshold is set through PMBus and compares the (8Dh) *READ_TEMPERATURE_1* telemetry to the (51h) *OT_WARN_LIMIT* and (4Fh) *OT_FAULT_LIMIT*. The overtemperature (OT) fault response can be set to shutdown, restart, or continue operating without interruption.

6.3.19 Fault Management

For the response on OC fault, OT fault, and thermal shutdown for multi-phase stack, the shutdown response has the highest priority, followed by restart response. Continue operating without interruption response has the lowest priority.

When multiple faults occur in rapid succession, the first fault occurring to mask the second fault is possible. If the first fault to be detected is configured to continue operating without interruption, and the second fault is configured to shutdown and restart, the second fault shuts down, but can fail to restart as programmed.

Table 6-4. Fault Protection Summary

| FAULT OR WARNING | PROGRAMMING | FAULT RESPONSE SETTING | FET BEHAVIOR | ACTIVE DURING t_{ON_RISE} | SMB_ALRT | MASKABLE | PGOOD LOGIC |
|-------------------|--------------------------------|------------------------|------------------------------|------------------------------|----------|----------|-------------|
| Internal OT fault | (4Fh) <i>OT_FAULT_LIMIT</i> | Shutdown | Both FETs off | Yes | Y | Y | Low |
| | | Restart | Both FETs off, restart | | | | High |
| | | Ignore | FETS still controlled by PWM | | | | |

Table 6-4. Fault Protection Summary (continued)

| FAULT OR WARNING | PROGRAMMING | FAULT RESPONSE SETTING | FET BEHAVIOR | ACTIVE DURING t_{ON_RISE} | SMB_ALRT | MASKABLE | PGOOD LOGIC |
|---|------------------------------|------------------------------|--|------------------------------|----------|----------|-------------|
| Internal OT warning | (51h) OT_WARN_LIMIT | Shutdown or restart on Fault | FETS still controlled by PWM | Yes | Y | Y | High |
| | | Ignore fault | | | | | |
| TSD | Threshold fixed internally | Shutdown | Both FETs off | Yes | Y | Y | Low |
| | | Restart | Both FETs off, restart | | | | High |
| | | Ignore | FETS still controlled by PWM | | | | |
| Low Side OC fault | (46h) IOUT_OC_FAULT_LIMIT | Shutdown | 3 PWM counts, then both FETs off | Yes | Y | Y | Low |
| | | Restart | 3 PWM counts, then both FETs off, restart after [DELAY] × t_{ON_RISE} | | | | |
| | | Ignore | FETS still controlled by PWM | | | | High |
| Low Side OC warning | (4Ah) IOUT_OC_WARN_LIMIT | Shutdown or restart on Fault | FETS still controlled by PWM | Yes | Y | Y | High |
| | | Ignore fault | | | | | |
| Negative OC fault (lower priority than OVF) | N/A | Enable | Turn off LS FET | Yes | Y | Y | Low |
| | | Disable | FETS still controlled by PWM | | | | High |
| High side OC fault | (46h) IOUT_OC_FAULT_LIMIT | Shutdown | Three cycles of pulse-by-pulse current limiting followed by both FETs off | Yes | Y | Y | Low |
| | | Restart | 3 cycles of pulse-by-pulse current limiting followed by both FETs off, restart after [DELAY] × t_{ON_RISE} | | | | |
| | | Ignore | FETS still controlled by PWM | | | | High |
| Vout OV fault | (40h) VOUT_OV_FAULT_LIMIT | Shutdown | LS FET latched ON or turned on till V_{OUT} reaches 200mV/ VOUT_SCALE_LOOP; HS FET OFF | No | Y | Y | Low |
| | | Restart | LS FET latched ON or turned on till V_{OUT} reaches 200mV/ VOUT_SCALE_LOOP; HS FET OFF, restart after [DELAY] × t_{ON_RISE} | | | | |
| | | Ignore | FETS still controlled by PWM | | | | High |
| V _{OUT} OVF fix | (40h) VOUT_OV_FAULT_LIMIT | Shutdown | LS FET latched ON or turned on till V_{OUT} reaches 200mV/ VOUT_SCALE_LOOP; HS FET OFF | Yes | Y | Y | Low |
| | | Restart | LS FET latched ON or turned on till V_{OUT} reaches 200mV/ VOUT_SCALE_LOOP; HS FET OFF, restart after [DELAY] × t_{ON_RISE} | | | | |
| | | Ignore | FETS still controlled by PWM | | | | High |
| Vout OV warning | (42h) VOUT_OV_WARN_LIMIT | Shutdown or restart on Fault | FETS still controlled by PWM | No | Y | Y | High |
| | | Ignore fault | | | | | |
| Vout UV fault | (44h) VOUT_UV_FAULT_LIMIT | Shutdown | Both FETs off | No | Y | Y | Low |
| | | Restart | Both FETs off, restart after [DELAY] × t_{ON_RISE} | | | | |
| | | Ignore | FETS still controlled by PWM | | | | High |
| Vout UV warning | (43h) VOUT_UV_WARN_LIMIT | Shutdown or restart on Fault | FETS still controlled by PWM | No | Y | Y | Low |
| | | Ignore fault | | | | | |
| t_{ON_MAX} fault | (62h) TON_MAX_FAULT_LIMIT | Shutdown | Both FETs off | Yes | Y | Y | Low |
| | | Restart | Both FETs off, restart after [DELAY] × t_{ON_RISE} | | | | |
| | | Ignore | FETS still controlled by PWM | | | | High |
| PVin UVLO | (35h) VIN_ON, (36h) VIN_OFF | Shutdown | Both FETs off | Yes | Y | Y | Low |
| PVIN OV FAULT | (55h) VIN_OV_FAULT_LIMIT | Shutdown | Both FETs off | Yes | Y | Y | Low |
| | | Restart | Both FETs off, restart | | | | |
| | | Ignore | FETS still controlled by PWM | | | | High |
| BCX_fault | N/A | N/A | FETS still controlled by PWM | Yes | Y | Y | High |

Table 6-4. Fault Protection Summary (continued)

| FAULT OR WARNING | PROGRAMMING | FAULT RESPONSE SETTING | FET BEHAVIOR | ACTIVE DURING t_{ON_RISE} | SMB_ALERT | MASKABLE | PGOOD LOGIC |
|-----------------------|-------------|--------------------------------------|--------------------------------|------------------------------------|-----------|----------|-------------|
| Pin_Strap_NonConverge | N/A | VSEL | Both FETs off, pull low VSHARE | No (active before t_{ON_RISE}) | N | N/A | Low |
| | | MSEL1 | | | | | |
| | | MSEL2 | | | | | |
| | | ADRSEL | | | | | |
| SYNC_Fault | N/A | Loop controller or standalone device | FETS still controlled by PWM | Yes | N | N/A | High |
| | | Loop follower device | Both FETs off, pull low VSHARE | | | | Low |
| SYNC_High/Low | N/A | Loop controller or standalone device | FETS still controlled by PWM | Yes | N | N/A | High |
| | | Loop follower device | Both FETs off, pull low VSHARE | | | | Low |

6.3.20 Back-Channel Communication

To allow multiple devices with a shared output to communicate through a single PMBus address and single PMBus loop follower, the TPSM8S6B24S uses a back-channel communication implemented through BCX_CLK and BCX_DAT pins. During POR, all of the devices connected to VSHARE must also be connected to BCX_CLK and BCX_DAT and have appropriate (*ECh*) [MFR_SPECIFIC_28 \(STACK_CONFIG\)](#) settings. Any programming error among the devices of a stack results in a POR fault and prevent enabling of conversion.

During POR, the loop controller reads the programmed values from the loop followers to make sure all expected loop followers are present and correctly phase-shifted. Then, the loop controller loads critical operating parameters such as the following to the loop follower devices to make sure of correct operation of the STACK:

- (*B1h*) [USER_DATA_01 \(COMPENSATION_CONFIG\)](#)
- (*33h*) [FREQUENCY_SWITCH](#)
- (*61h*) [TON_RISE](#)
- (*21h*) [VOUT_COMMAND](#)

During operation, the loop controller device receives and responds to all PMBus communication, and loop follower devices do not must be connected to the PMBus. If the loop controller receives commands that require updates to the PMBus registers of the loop follower, the loop controller relays these commands to the loop followers. Additionally, the loop controller periodically polls loop follower devices for status and telemetry information to maintain an accurate record of the telemetry and STATUS information for the full stack of devices.

Most PMBus communication must be directed to all phases by leaving the (*04h*) [PHASE](#) PMBus command at the power-on reset default value of FFh. If a specific device must be communicated with, the (*04h*) [PHASE](#) command can be changed to address a specific device within the stack, as set by the order value of the (*37h*) [INTERLEAVE](#) command programmed during POR.

When commands are directed to individual loop followers, write commands are queued by the loop controller to be sent to the loop followers through the BCX if other BCX communication is in progress. Queued write commands are written to the loop followers in the order the loop controller receives them. To avoid unnecessary delays on the PMBus and excessive clock stretching, read transactions targeting individual loop followers are not queued, and are processed as soon as the BCX bus is available. As a result, a read command targeting an individual loop follower immediately following a write command can be processed before the preceding write command. To make sure of accurate read-back, users must allow a minimum of 4ms between writing a value to an individual loop follower and reading that same value back from the same loop follower.

6.3.21 Switching Node (SW)

The SW pin connects to the switching node of the power conversion stage. The SW pin acts as the return path for the high-side gate driver. When configured as a synchronous buck stage, the voltage swing on SW normally traverses from below ground to well above the input voltage. Parasitic inductance in the high-side FET and the output capacitance (COSS) of both power FETs form a resonant circuit that can produce high frequency (> 100MHz) ringing on this node. The voltage peak of this ringing, if not controlled, can be significantly higher than the input voltage. Make sure that the peak ringing amplitude does not exceed the absolute maximum rating limit for the pin.

In many cases, a series resistor and capacitor snubber network connected from the switching node to PGND can be helpful in damping the ringing and decreasing the peak amplitude. Provide provisions for snubber network components in the layout of the printed circuit board. If testing reveals that the ringing amplitude at the SW pin exceeds the limit, then include snubber components.

6.3.22 PMBus® General Description

Timing and electrical characteristics of the PMBus interface specification can be found in the *PMB Power Management Protocol Specification, Part 1, revision 1.3* available at <http://pmbus.org>. The TPSM8S6B24S device supports the 100kHz, 400kHz, and 1MHz bus timing requirements.

The TPSM8S6B24S uses clock stretching during PMBus communication, but only stretches the clock during specific bits of the transaction.

- The TPSM8S6B24S does not stretch the clock during the address byte of any transaction.
- The TPSM8S6B24S can stretch the clock between bit 0 of the command byte and the ACK response.
- The TPSM8S6B24S stretches the clock after bit 0 of the read address of a read transaction.
- The TPSM8S6B24S stretches the clock between bit 0 of the last byte of data and the ACK response
- The TPSM8S6B24S can stretch the clock between bit 1 and bit zero of every fourth byte of data for blocks with more than four bytes of data.

Communication over the PMBus interface can either support the packet error checking (PEC) scheme or not. If the loop controller supplies clock (CLK) pulses for the PEC byte, PEC is used. If the CLK pulses are not present before a STOP, the PEC is not used. If PEC is always used, consider enabling Require PEC in [\(EDh\) MFR_SPECIFIC_29 \(MISC_OPTIONS\)](#) to configure the TPSM8S6B24S to reject any write transaction that does not include CLK pulses for a PEC byte.

The device supports a subset of the commands in the *PMBus 1.3 Power Management Protocol Specification*. See [Supported PMBus Commands](#) for more information

The TPSM8S6B24S also supports the SMB_ALERT response protocol. The SMB_ALERT response protocol is a mechanism by which the TPSM8S6B24S can alert the bus loop controller that it has experienced an alert and has important information for the host. The host must process this event and simultaneously access all loop follower on the bus that support the protocol through the alert response address. All loop followers that are asserting SMB_ALERT must acknowledge this request with the PMBus address. The host performs a modified receive byte operation to get the address of the loop follower. At this point, the loop controller can use the PMBus status commands to query the loop follower that caused the alert. For more information on the SMBus alert response protocol, see the system management bus (SMBus) specification. Persistent faults associated with status registers other than [\(7Eh\) STATUS_CML](#) reasserts SMB_ALERT after responding to the host alert response address.

The TPSM8S6B24S contains nonvolatile memory that is used to store configuration settings and scale factors. The settings programmed into the device are not automatically saved into this nonvolatile memory. The [\(15h\) STORE_USER_ALL](#) command must be used to commit the current PMBus settings to nonvolatile memory as device defaults. The settings that are capable of being stored in nonvolatile memory are noted in the detailed descriptions.

All pin programmable values can be committed to non-volatile memory. The POR default selection between pin programmable values and nonvolatile memory can be selected by the manufacturer-specific [\(EEh\) MFR_SPECIFIC_30 \(PIN_DETECT_OVERRIDE\)](#) command.

6.3.23 PMBus® Address

The PMBus specification requires that each device connected to the PMBus has a unique address on the bus. The TPSM8S6B24S PMBus address is determined by the value of the resistor connected between [ADRSEL](#) and AGND and is programmable over the range from 0x10–0x2F, providing 32 unique PMBus addresses.

6.3.24 PMBus® Connections

The TPSM8S6B24S supports the 100kHz, 400kHz, and 1MHz bus speeds. Connection for the PMBus interface must follow the high power DC specifications given in section 3.1.3 in the SMBus specification V2.0 for the 400kHz bus speed or the low power DC specifications in section 3.1.2. The complete SMBus specification is available from the [SMBus website](#).

The PMBus interface pins PMB_CLK, PMB_DATA, and SMB_ALRT require external pullup resistors to a 1.8V to 5.5V termination. Pullup resistors must be sized to meet the minimize rise-time required for the desired PMBus clock speed but must not source more current than the lowest-rated CLK, DATA, or SMB_ALRT pin on the bus when the bus voltage is forced to 0.4V. The TPSM8S6B24S supports a minimum of 20mA of sink current on PMB_CLK, PMB_DATA, and SMB_ALRT.

6.4 Device Functional Modes

6.4.1 Programming Mode

The TPSM8S6B24S devices can operate in programming mode when AVIN and VDD5 are powered above the lower UVLO but VDD5 and PVIN are not powered above the UVLO to enable conversion. In programming mode, the TPSM8S6B24S accepts and respond to PMBus commands but does not enable switching or conversion. While PMBus commands can be accepted and processed with VDD5 lower than 3V, NVM programming through the [\(15h\) STORE_USER_ALL](#) command must not be used when VDD5 is less than 3V.

Programming mode allows the TPSM8S6B24S to complete POR and to be configured through PMBus from a 3.3V supply without PVIN present.

6.4.2 Standalone, Loop Controller, Loop Follower Mode Pin Connections

The TPSM8S6B24S can be programmed as a standalone device (single output, single phase) loop controller device of a single-output, multi-phase stack of devices, or a loop follower device to a loop controller of a multi-phase stack. The details of the recommended pin connects for each configuration is given in [Table 6-5](#).

Table 6-5. Standalone, Loop Controller, Loop Follower Pin Connections

| PIN | STANDALONE | LOOP CONTROLLER | LOOP FOLLOWER |
|----------|---|---|--|
| GOSNS | Ground at output regulation point | Ground at output regulation point | BP1V5 |
| VOSNS | V _{OUT} at output regulation point | V _{OUT} at output regulation point | Float or connect to divider for other voltage to be monitored |
| EN/UVLO | Enable/Control or resistor divider from PVIN | Enable/Control or resistor divider from PVIN | Connect to EN/UVLO of the loop controller |
| MSEL1 | Programming MSEL1 | Programming MSEL1 | Short to PGND (thermal pad) |
| MSEL2 | Programming MSEL2 | Programming MSEL2 | Programming MSEL2 for a Loop Follower Device (GOSNS Tied to BP1V5) |
| VSEL | Programming VSEL | Programming VSEL | Short to PGND (thermal pad) |
| ADRSEL | Programming ADRSEL | Programming ADRSEL | Short to PGND (thermal pad) |
| VSHARE | Float or Bypass to AGND with a capacitor | Connect to VSHARE of the loop follower | Connect to VSHARE of the loop controller |
| SYNC | Float or external sync | External sync or loop follower SYNC | Connect to SYNC of the loop controller |
| PMB_CLK | Connect to system PMBus or PGND (thermal pad) if not used | Connect to system PMBus or PGND (thermal pad) if not used | Short to PGND (thermal pad) |
| PMB_DATA | Connect to system PMBus or PGND (thermal pad) if not used | Connect to system PMBus or PGND (thermal pad) if not used | Short to PGND (thermal pad) |
| SMB_ALRT | Connect to system PMBus or PGND (thermal pad) if not used | Connect to system PMBus or PGND (thermal pad) if not used | Short to PGND (thermal pad) |
| BCX_CLK | Short to PGND (thermal pad) | Connect to loop followers BCX_CLK | Connect to BCX_CLK of the loop controller |
| BCX_DAT | Short to PGND (thermal pad) | Connect to loop followers BCX_DAT | Connect to BCX_DAT of the loop controller |

Table 6-5. Standalone, Loop Controller, Loop Follower Pin Connections (continued)

| PIN | STANDALONE | LOOP CONTROLLER | LOOP FOLLOWER |
|-------------|---|---|-----------------------------|
| PGOOD/RST_B | Connect to system PGD or RESET# or PGND (thermal pad) if not used | Connect to system PGD or RESET# or PGND (thermal pad) if not used | Short to PGND (thermal pad) |

6.4.3 Continuous Conduction Mode

The TPSM8S6B24S devices operate in continuous conduction mode (CCM) at a fixed frequency, regardless of the output current. During soft start, some of the low-side MOSFET on times are limited to prevent excessive current sinking in the event the device is started with a prebiased output. After the first PWM pulse, and with each successive PWM pulse, this limit is increased to allow more low-side FET on time and transition to CCM. After this transition has completed, the low-side MOSFET and the high-side MOSFET on times are fully complementary.

6.4.4 Operation With CNTL Signal (EN/UVLO)

According to the value in the (02h) [ON_OFF_CONFIG](#) register, the TPSM8S6B24S devices can be commanded to use the EN/UVLO pin to enable or disable regulation, regardless of the state of the (01h) [OPERATION](#) command. The EN/UVLO pin can be configured as either active high or active low (inverted) logic. To use EN/UVLO pin as a programmable UVLO, the polarity set by (02h) [ON_OFF_CONFIG](#) must be positive logic.

6.4.5 Operation with (01h) OPERATION Control

According to the value in the (02h) [ON_OFF_CONFIG](#) register, the TPSM8S6B24S devices can be commanded to use the (01h) [OPERATION](#) command to enable or disable regulation, regardless of the state of the CNTL signal.

6.4.6 Operation with CNTL and (01h) OPERATION Control

According to the value in the (02h) [ON_OFF_CONFIG](#) command, the TPSM8S6B24S devices can be commanded to require both a CNTRL signal from the EN/UVLO pin, and the (01h) [OPERATION](#) command to enable or disable regulation.

6.5 Programming

6.5.1 Supported PMBus Commands

The commands listed in [Table 6-6](#) are implemented as described to conform to the PMBus 1.3 specification. [Table 6-6](#) also lists the default for the bit behavior and register values.

Table 6-6. Supported PMBus Commands and Default Values

| CMD CODE (HEX) | COMMAND NAME (PMBus 1.3 SPEC) | DEFAULT VALUE |
|----------------|----------------------------------|---------------|
| 01h | OPERATION | 04h |
| 02h | ON_OFF_CONFIG | 17h |
| 03h | CLEAR_FAULTS | n/a |
| 04h | PHASE | FFh |
| 10h | WRITE_PROTECT | 00h |
| 15h | STORE_USER_ALL | n/a |
| 16h | RESTORE_USER_ALL | n/a |
| 19h | CAPABILITY | D0h |
| 1Bh | SMBALERT_MASK | n/a |
| 20h | VOUT_MODE | 97h |
| 21h | VOUT_COMMAND | 0266h |
| 22h | VOUT_TRIM | 0000h |
| 24h | VOUT_MAX | 0300h |
| 25h | VOUT_MARGIN_HIGH | 021Ah |
| 26h | VOUT_MARGIN_LOW | 01E6h |

Table 6-6. Supported PMBus Commands and Default Values (continued)

| CMD CODE (HEX) | COMMAND NAME (PMBus 1.3 SPEC) | DEFAULT VALUE |
|----------------|-------------------------------|---------------|
| 27h | VOUT_TRANSITION_RATE | E010h |
| 29h | VOUT_SCALE_LOOP | C840h |
| 2Bh | VOUT_MIN | 0100h |
| 33h | FREQUENCY_SWITCH | 028Ah |
| 35h | VIN_ON | F00Bh |
| 36h | VIN_OFF | F00Ah |
| 37h | INTERLEAVE | 0020h |
| 38h | IOUT_CAL_GAIN | C880h |
| 39h | IOUT_CAL_OFFSET | E000h |
| 40h | VOUT_OV_FAULT_LIMIT | 024Ch |
| 41h | VOUT_OV_FAULT_RESPONSE | BDh |
| 42h | VOUT_OV_WARN_LIMIT | 022Eh |
| 43h | VOUT_UV_WARN_LIMIT | 01D2h |
| 44h | VOUT_UV_FAULT_LIMIT | 01B3h |
| 45h | VOUT_UV_FAULT_RESPONSE | BEh |
| 46h | IOUT_OC_FAULT_LIMIT | F068h |
| 47h | IOUT_OC_FAULT_RESPONSE | FFh |
| 4Ah | IOUT_OC_WARN_LIMIT | F050h |
| 4Fh | OT_FAULT_LIMIT | 0096h |
| 50h | OT_FAULT_RESPONSE | BCh |
| 51h | OT_WARN_LIMIT | 007Dh |
| 55h | VIN_OV_FAULT_LIMIT | 0015h |
| 56h | VIN_OV_FAULT_RESPONSE | 3Ch |
| 58h | VIN_UV_WARN_LIMIT | F00Ah |
| 60h | TON_DELAY | F800h |
| 61h | TON_RISE | F00Ch |
| 62h | TON_MAX_FAULT_LIMIT | F800h |
| 63h | TON_MAX_FAULT_RESPONSE | 3Bh |
| 64h | TOFF_DELAY | F800h |
| 65h | TOFF_FALL | F002h |
| 78h | STATUS_BYTE | 00h |
| 79h | STATUS_WORD | 00h |
| 7Ah | STATUS_VOUT | 00h |
| 7Bh | STATUS_IOUT | 00h |
| 7Ch | STATUS_INPUT | 00h |
| 7Dh | STATUS_TEMPERATURE | 00h |
| 7Eh | STATUS_CML | 00h |
| 7Fh | STATUS_OTHER | 00h |
| 80h | STATUS_MFR_SPECIFIC | 00h |
| 88h | READ_VIN | n/a |
| 8Bh | READ_VOUT | n/a |
| 8Ch | READ_IOUT | n/a |
| 8Dh | READ_TEMPERATURE_1 | n/a |
| 98h | PMBUS_REVISION | 33h |
| 99h | MFR_ID | 00 54 49h |

Table 6-6. Supported PMBus Commands and Default Values (continued)

| CMD CODE (HEX) | COMMAND NAME (PMBus 1.3 SPEC) | DEFAULT VALUE |
|----------------|---------------------------------------|--------------------|
| 9Ah | MFR_MODEL | 00 00 00h |
| 9Bh | MFR_REVISION | 00 00 00h |
| 9Eh | MFR_SERIAL | 00 00 00h |
| ADh | IC_DEVICE_ID | 54 49 54 6D 24 62h |
| AEh | IC_DEVICE_REV | 41 00h |
| B1h | USER_DATA_01 (COMPENSATION_CONFIG) | 12 40 42 29 04h |
| B5h | USER_DATA_05 (POWER_STAGE_CONFIG) | 70h |
| D0h | MFR_SPECIFIC_00 (TELEMETRY_CONFIG) | 03 03 03 03 00 03h |
| DAh | MFR_SPECIFIC_10 (READ_ALL) | n/a |
| DBh | MFR_SPECIFIC_11 (STATUS_ALL) | n/a |
| E3h | MFR_SPECIFIC_19 (PGOOD_CONFIG) | 009Fh |
| E4h | MFR_SPECIFIC_20 (SYNC_CONFIG) | F0h |
| ECh | MFR_SPECIFIC_28 (STACK_CONFIG) | 0000h |
| EDh | MFR_SPECIFIC_29 (MISC_OPTIONS) | 0000h |
| EEh | MFR_SPECIFIC_30 (PIN_DETECT_OVERRIDE) | 1F2Fh |
| EFh | MFR_SPECIFIC_31 (DEVICE_ADDRESS) | 24h |
| F0h | MFR_SPECIFIC_32 (NVM_CHECKSUM) | F3B4h |
| F1h | MFR_SPECIFIC_33 (SIMULATE_FAULTS) | 0000h |
| FAh | MFR_SPECIFIC_42 (PASSKEY) | 0000h |
| FBh | MFR_SPECIFIC_43 (EXT_WRITE_PROTECT) | 0000h |
| FCh | MFR_SPECIFIC_44 (FUSION_ID0) | 02C0h |
| FDh | MFR_SPECIFIC_45 (FUSION_ID1) | 54 49 4C 4F 43 4Bh |

6.5.2 Pin Strapping

The TPSM8S6B24S provides four IC pins that allow the initial PMBus programming value on critical PMBus commands to be selected by the resistors connected to that pin without requiring PMBus communication. Whether a specific PMBus command is initialized to the value selected by the detected resistance or stored NVM memory is determined by the commands bit in the PIN_DETECT_OVERRIDE PMBus Command. The four pins and the commands the pins program for a loop controller or standalone device (GOSNS connected to Ground) are provided in [Table 6-7](#).

Each pin can be programmed in one of four ways:

- Pin shorted to AGND with less than 20Ω
- Pin floating or tied to BP1V5 with more than 1MΩ
- Pin bypassed to AGND through a resistor according to R2G code only (16 resistor options)
- Pin bypassed to AGND through a resistor according to R2G code and to BP1V5 according to Divider Code (16 resistor × 16 resistor divider options)

Due to the flexibility of programming options with up to 274 configurations per pin, TI recommends that designers consider using one of the available design tools, such as [TPSM8S6x24 Compensation and Pin-Strap Resistor Calculator](#) to assist with proper programming resistor selection.

Table 6-7. TPSM8S6B24S Pin Programming Summary

| PIN | RESISTORS | PMBus REGISTERS |
|-------|------------------|---|
| MSEL1 | Resistor to AGND | COMPENSATION_CONFIG |
| | Resistor Divider | COMPENSATION_CONFIG, FREQUENCY_SWITCH |
| MSEL2 | Resistor to AGND | IOUT_OC_WARN_LIMIT, IOUT_OC_FAULT_LIMIT, STACK_CONFIG |
| | Resistor Divider | TON_RISE |
| VSEL | Both | VOUT_COMMAND, VOUT_SCALE_LOOP, VOUT_MAX, VOUT_MIN |

Table 6-7. TPSM8S6B24S Pin Programming Summary (continued)

| PIN | RESISTORS | PMBus REGISTERS |
|--------|------------------|--|
| ADRSEL | Resistor to AGND | loop follower_ADDRESS |
| | Resistor Divider | loop follower_ADDRESS, SYNC_CONFIG, INTERLEAVE |

Note

Resistor divider values of "none" can be implemented with no resistor to BP1V5 or use a 1MΩ resistor to BP1V5 for improved reliability and noise immunity.

loop follower devices with GOSNS tied to BP1V5 only use the resistor from [MSEL2](#) to AGND to program the following:

- [\(4Ah\) IOOUT_OC_WARN_LIMIT](#)
- [\(46h\) IOOUT_OC_FAULT_LIMIT](#)
- [\(Ech\) MFR_SPECIFIC_28 \(STACK_CONFIG\)](#)
- [\(37h\) INTERLEAVE](#)

The loop follower receives all other pin programmed values from the loop controller over BCX as part of the power-on reset function.

Note

The high precision Pin-Detection programming which provides 8-bit resolution for each pin in the TPSM8S6B24S can be sensitive to PCB contamination from flux, moisture, and debris. As such, users must consider committing Pin Programmed values to User Non-Volatile memory and disable future use of Pin Strapped values as part of the product flow. The programming sequence to commit Pin Programmed PMBus register values to NVM and disable future use of Pin Strapped programming is:

- Select [MSEL1](#), [MSEL2](#), [VSEL](#), and [ADRSEL](#) programming resistors to program the desired PMBus register values.
- Power AVIN and VDD5 above the UVLOs to initiate pin detection and enable PMBus communication.
- Update any PMBus register values not programmed to the final value by pin detection.
- Write the value 0000h using the Write Word protocol to [\(Eeh\) MFR_SPECIFIC_30 \(PIN_DETECT_OVERRIDE\)](#).
- Send the command code 15h using the Send Byte protocol to initialize a [\(15h\) STORE_USER_ALL](#) function.
- Allow a minimum 100ms for the device to complete a burn of NVM User Store. Loss of AVIN or VDD5 power during this 100ms can compromise the integrity of the NVM. Failure to complete the NVM burn can result in a corruption of NVM and a POR fault on subsequent power on resets.

6.5.2.1 Programming MSEL1

The MSEL1 pin programs [\(B1h\) USER_DATA_01 \(COMPENSATION_CONFIG\)](#) and [\(33h\) FREQUENCY_SWITCH](#). The resistor divider ratio for MSEL1 selects the nominal switching frequency using [Table 6-8](#):

Table 6-8. MSEL1 Divider Code for Programming

| RESISTOR DIVIDER CODE | COMPENSATION_CONFIG (CONFIG #) | FREQUENCY_SWITCH VALUE (kHz) |
|-----------------------------|--------------------------------|------------------------------|
| None (no resistor to BP1V5) | 7-25 (select values) | 550 |
| 0 | 0-15 | 275 |
| 1 | 16-31 | |

Table 6-8. MSEL1 Divider Code for Programming (continued)

| RESISTOR DIVIDER CODE | COMPENSATION_CONFIG (CONFIG #) | FREQUENCY_SWITCH VALUE (kHz) |
|-----------------------|--------------------------------|------------------------------|
| 2 | 0-15 | 325 |
| 3 | 16-31 | |
| 4 | 0-15 | 450 |
| 5 | 16-31 | |
| 6 | 0-15 | 550 |
| 7 | 16-31 | |
| 8 | 0-15 | 650 |
| 9 | 16-31 | |
| 10 | 0-15 | 900 |
| 11 | 16-31 | |
| 12 | 0-15 | 1100 |
| 13 | 16-31 | |
| 14 | 0-15 | 1500 |
| 15 | 16-31 | |

The resistor to ground for MSEL1 selects the *(B1h) USER_DATA_01 (COMPENSATION_CONFIG)* values to program the following voltage loop and current loop gains. For options other than the EEPROM code (MSEL1 shorted to AGND or MSEL1 to AGND resistor code 0), the current and voltage loop zero and pole frequencies are scaled with the programmed switching frequency. The current loop pole frequency is scale located at approximately the switching frequency, while the current loop zero is located at approximately 1/20 the switching frequency. the voltage loop pole is located at approximately 1/2 the switching frequency and the voltage loop zero is located at approximately 1/100 the switching frequency.

Table 6-9. MSEL1 Resistor to AGND Code With no Divider Programming

| RESISTOR CODE | COMPENSATION (NO DIVIDER) | | | COMPENSATION (EVEN DIVIDER) | | | COMPENSATION (ODD DIVIDER) | | |
|---------------|---------------------------|-------------|-------------|-----------------------------|-------------|-------------|----------------------------|-------------|-------------|
| | CONFIG # | I LOOP GAIN | V LOOP GAIN | CONFIG # | I LOOP GAIN | V LOOP GAIN | CONFIG # | I LOOP GAIN | V LOOP GAIN |
| Short | 3 | 2 | 2 | N/A | N/A | N/A | N/A | N/A | N/A |
| Float | EEPROM | EEPROM | EEPROM | N/A | N/A | N/A | N/A | N/A | N/A |
| 0 | 7 | 3 | 1 | 0 | EEPROM | EEPROM | 16 | 5 | 0.5 |
| 1 | 8 | 3 | 2 | 1 | 2 | 0.5 | 17 | 5 | 1 |
| 2 | 9 | 3 | 4 | 2 | 2 | 1 | 18 | 5 | 2 |
| 3 | 10 | 3 | 8 | 3 | 2 | 2 | 19 | 5 | 4 |
| 4 | 12 | 4 | 1 | 4 | 2 | 4 | 20 | 5 | 8 |
| 5 | 13 | 4 | 2 | 5 | 2 | 8 | 21 | 6 | 0.5 |
| 6 | 14 | 4 | 4 | 6 | 3 | 0.5 | 22 | 6 | 1 |
| 7 | 15 | 4 | 8 | 7 | 3 | 1 | 23 | 6 | 2 |
| 8 | 17 | 5 | 1 | 8 | 3 | 2 | 24 | 6 | 4 |
| 9 | 18 | 5 | 2 | 9 | 3 | 4 | 25 | 6 | 8 |
| 10 | 19 | 5 | 4 | 10 | 3 | 8 | 26 | 7 | 0.5 |
| 11 | 20 | 5 | 8 | 11 | 4 | 0.5 | 27 | 7 | 1 |
| 12 | 22 | 6 | 1 | 12 | 4 | 1 | 28 | 7 | 2 |
| 13 | 23 | 6 | 2 | 13 | 4 | 2 | 20 | 7 | 4 |
| 14 | 24 | 6 | 4 | 14 | 4 | 4 | 30 | 7 | 8 |
| 15 | 25 | 6 | 8 | 15 | 4 | 8 | 21 | 10 | 2 |

With both the resistor to ground code and the resistor divider code, use the look-up table to select the appropriate resistors.

6.5.2.2 Programming MSEL2

The resistor divider on MSEL2 pin programs the (61h) *TON_RISE* value to select the soft-start time used by the TPSM8S6B24S.

Table 6-10. MSEL2 Divider Code for Programming

| RESISTOR DIVIDER CODE | TON_RISE VALUE (ms) |
|-----------------------------|---------------------|
| None (No Resistor to BP1V5) | 3 |
| Short to AGND | |
| Float | |
| 0 | 0.5 |
| 1 | 1 |
| 2 | 3 |
| 3 | 5 |
| 4 | 7 |
| 5 | 10 |
| 6 | 20 |
| 7 | 31.75 |

The resistor to ground for MSEL2 selects the (4Ah) *IOUT_OC_WARN_LIMIT*, (46h) *IOUT_OC_FAULT_LIMIT*, and (ECh) *MFR_SPECIFIC_28 (STACK_CONFIG)* values using Table 6-11.

Table 6-11. MSEL2 Resistor to AGND Code for IOUT_OC_WARN/FAULT_LIMIT and STACK Programming

| RESISTOR TO AGND CODE | STACK_CONFIG (NUMBER OF LOOP FOLLOWERS / # OF PHASES) | OC_WARN (A)/OC_FAULT (A) |
|-----------------------|---|--------------------------|
| Short | 0000h (0 loop followers, standalone) | 40/52 |
| Float | 0001h (1 loop follower, 2-phase) | 40/52 |
| 0 | 0000h (0 loop followers, standalone) | 40/52 |
| 1 | 0001h (1 loop follower, 2-phase) | |
| 2 | 0002h (2 loop followers, 3-phase) | |
| 3 | 0003h (3 loop followers, 4-phase) | |
| 4 | 0000h (0 loop followers, standalone) | 30/39 |
| 5 | 0001h (1 loop follower, 2-phase) | |
| 6 | 0002h (2 loop followers, 3-phase) | |
| 7 | 0003h (3 loop followers, 4-phase) | |
| 8 | 0000h (0 loop followers, standalone) | 20/26 |
| 9 | 0001h (1 loop follower, 2-phase) | |
| 10 | 0002h (2 loop followers, 3-phase) | |
| 11 | 0003h (3 loop followers, 4-phase) | |
| 12 | 0000h (0 loop followers, standalone) | 10/14 |
| 13 | 0001h (1 loop follower, 2-phase) | |
| 14 | 0002h (2 loop followers, 3-phase) | |
| 15 | 0003h (3 loop followers, 4-phase) | |

6.5.2.3 Programming VSEL

The resistor divider ratio for VSEL programs the (21h) *VOUT_COMMAND* range, (29h) *VOUT_SCALE_LOOP* divider, (2Bh) *VOUT_MIN*, and (24h) *VOUT_MAX* levels according to the following tables.

Select the resistor divider code that contains the desired nominal boot voltage within the range of V_{OUT} between minimum V_{OUT} and maximum V_{OUT} . For voltages from 0.5V to 1.25V, a single resistor to ground or a resistor divider can be used.

Table 6-12. VSEL Resistor Divider Code for Programming

| NOMINAL BOOT VOLTAGE RANGE | | | RESISTOR DIVIDER CODE |
|----------------------------|-------------------|------------|--------------------------|
| MINIMUM V_{OUT} | MAXIMUM V_{OUT} | RESOLUTION | |
| EEPROM (1.2V) | EEPROM (1.2V) | N/A | Float |
| 0.5 | 1.25 | 0.050 | Open (bot resistor only) |
| 0.6 | 0.75 | 0.010 | 0 |
| 0.75 | 0.9 | 0.010 | 1 |
| 0.9 | 1.05 | 0.010 | 2 |
| 1.05 | 1.2 | 0.010 | 3 |
| 1.2 | 1.5 | 0.020 | 4 |
| 1.5 | 1.8 | 0.020 | 5 |
| 1.8 | 2.1 | 0.020 | 6 |
| 2.1 | 2.4 | 0.020 | 7 |
| 2.4 | 3.0 | 0.040 | 8 |
| 3.0 | 3.6 | 0.040 | 9 |
| 3.6 | 4.2 | 0.040 | 10 |
| 4.2 | 4.8 | 0.040 | 11 |
| 3.6 | 4.2 | 0.040 | 12 |
| 4.2 | 4.8 | 0.040 | 13 |
| 4.8 | 5.4 | 0.040 | 14 |
| 5.4 | 6.0 | 0.040 | 15 |

With the resistor divider code selected for the range of V_{OUT} , select the bottom resistor code with the (21h) *VOUT_COMMAND* offset and (21h) *VOUT_COMMAND* step from *Programming VSEL*.

Table 6-13. VSEL Resistor to AGND Code for Programming

| RESISTOR DIVIDER CODE | <i>VOUT_SCALE_LOOP</i> | <i>VOUT_MIN</i> | <i>VOUT_MAX</i> | <i>VOUT_COMMAND</i> OFFSET (V) | <i>VOUT_COMMAND</i> STEP (V) |
|-----------------------|------------------------|-----------------|-----------------|--------------------------------|------------------------------|
| Short to AGND | 0.5 | EEPROM (0.5) | EEPROM (1.5) | EEPROM | N/A |
| | | | | (1.2) | |
| Float | 0.5 | 0.5 | 1.5 | 1.0 | N/A |
| None | 0.5 | 0.5 | 1.5 | 0.50 | 0.050 |
| 0 | 0.5 | 0.5 | 1.5 | 0.6 | 0.010 |
| 1 | 0.5 | 0.5 | 1.5 | 0.75 | 0.010 |
| 2 | 0.5 | 0.5 | 1.5 | 0.9 | 0.010 |
| 3 | 0.5 | 0.5 | 1.5 | 1.05 | 0.010 |
| 4 | 0.25 | 1 | 3 | 1.2 | 0.020 |
| 5 | 0.25 | 1 | 3 | 1.5 | 0.020 |
| 6 | 0.25 | 1 | 3 | 1.8 | 0.020 |
| 7 | 0.25 | 1 | 3 | 2.1 | 0.020 |
| 8 | 0.125 | 2 | 6 | 2.4 | 0.040 |

Table 6-13. VSEL Resistor to AGND Code for Programming (continued)

| RESISTOR DIVIDER CODE | VOUT_SCALE_LOOP | VOUT_MIN | VOUT_MAX | VOUT_COMMAND OFFSET (V) | VOUT_COMMAND STEP (V) |
|-----------------------|-----------------|----------|----------|-------------------------|-----------------------|
| 9 | 0.125 | 2 | 6 | 3.0 | 0.040 |
| 10 | 0.125 | 2 | 6 | 3.6 | 0.040 |
| 11 | 0.125 | 2 | 6 | 4.2 | 0.040 |
| 12 | 0.125 | 2 | 6 | 3.6 | 0.040 |
| 13 | 0.125 | 2 | 6 | 4.2 | 0.040 |
| 14 | 0.125 | 2 | 6 | 4.8 | 0.040 |
| 15 | 0.125 | 2 | 6 | 5.4 | 0.040 |

To calculate the resistor to AGND code, subtract the (21h) *VOUT_COMMAND* offset from the target output voltage and divide by the (21h) *VOUT_COMMAND* step.

$$\text{Code} = \frac{V_{\text{OUT}} - \text{VOUT_COMMAND(Offset)}}{\text{VOUT_COMMAND(Step)}} \quad (8)$$

6.5.2.4 Programming ADRSEL

The resistor divider for the ADRSEL pin selects the range of PMBus addresses and SYNC direction for the TPSM8S6B24S. For standalone devices with only one device supporting a single output voltage, the ADRSEL divider also selects the phase shift between SYNC and the switch node.

Table 6-14. ADRSEL Resistor Divider Code for and SYNC_IN Programming

| RESISTOR DIVIDER CODE | Loop Follower_ADDRESS | SYNC IN / SYNC OUT | STACK_CONFIG = 0x0000 (STAND-ALONE ONLY) | |
|-----------------------|-----------------------|--------------------|--|------------|
| | | | PHASE SHIFT | INTERLEAVE |
| — | Range | — | | |
| Short to AGND | 0x7F (127d) | Auto Detect | 0 | 0x0020 |
| Float | EEPROM (0x24h / 36d) | Auto Detect | 0 | 0x0020 |
| None | 16d-31d | Auto detect | 0 | 0x0020 |
| 0 | 16d-31d | Sync in | 0 | 0x0040 |
| 1 | 32d-47d | Sync in | 0 | 0x0040 |
| 2 | 16d-31d | Sync in | 90 | 0x0041 |
| 3 | 32d-47d | Sync in | 90 | 0x0041 |
| 4 | 16d-31d | Sync in | 120 | 0x0031 |
| 5 | 32d-47d | Sync in | 120 | 0x0031 |
| 6 | 16d-31d | Sync in | 180 | 0x0042 |
| 7 | 32d-47d | Sync in | 180 | 0x0042 |
| 8 | 16d-31d | Sync in | 240 | 0x0032 |
| 9 | 32d-47d | Sync in | 240 | 0x0032 |
| 10 | 16d-31d | Sync in | 270 | 0x0043 |
| 11 | 32d-47d | Sync in | 270 | 0x0043 |
| 12 | 16d-31d | Sync out | 0 | 0x0020 |
| 13 | 32d-47d | Sync out | 0 | 0x0020 |
| 14 | 16d-31d | Sync out | 180 | 0x0042 |
| 15 | 32d-47d | Sync out | 180 | 0x0042 |

The resistor to AGND for ADRSEL programs the device PMBus loop follower address according to [Table 6-15](#):

Table 6-15. ADRSEL Resistor to AGND Code for Programming

| RESISTOR TO AGND CODE | LOOP FOLLOWER ADDRESS (16-31 RANGE) | LOOP FOLLOWER ADDRESS (32-47 RANGE) |
|-----------------------|--|--|
| 0 | 0x10h (16d) | 0x20h (32d) |
| 1 | 0x11h (17d) | 0x21h (33d) |
| 2 | 0x12h (18d) | 0x22h (34d) |
| 3 | 0x13h (19d) | 0x23h (35d) |
| 4 | 0x14h (20d) | 0x24h (36d) |
| 5 | 0x15h (21d) | 0x25h (37d) |
| 6 | 0x16h (22d) | 0x26h (38d) |
| 7 | 0x17h (23d) | 0x27h (39d) |
| 8 | 0x18h (24d) | 0x48h (72d) |
| 9 | 0x19h (25d) | 0x29h (41d) |
| 10 | 0x1Ah (26d) | 0x2Ah (42d) |
| 11 | 0x1Bh (27d) | 0x2Bh (43d) |
| 12 | 0x1Ch (28d) | 0x2Ch (44d) |
| 13 | 0x1Dh (29d) | 0x2Dh (45d) |
| 14 | 0x1Eh (30d) | 0x2Eh (46d) |
| 15 | 0x1Fh (31d) | 0x2Fh (47d) |

Note

When a TPSM8S6B24S device is configured as the loop controller of a multi-phase stack, the device always occupies the zero-degree position in [\(37h\) INTERLEAVE](#), but the ADRSEL resistor divider can still be used to select Auto Detect, Forced SYNC_IN, and Forced SYNC_OUT. When the loop controller of a multi-phase stack is configured for SYNC_IN, all devices of the stack remain disabled until a valid external SYNC signal is provided.

6.5.2.5 Programming MSEL2 for a Loop Follower Device (GOSNS Tied to BP1V5)

Configuring a TPSM8S6B24S device as a loop follower disables all pinstraps except MSEL2, which programs [\(37h\) INTERLEAVE](#) for stacking and [\(ECh\) MFR_SPECIFIC_28 \(STACK_CONFIG\)](#), [\(4Ah\) IOUT_OC_WARN_LIMIT](#), and [\(46h\) IOUT_OC_FAULT_LIMIT](#) with a single resistor to AGND. Note that the loop controller is always device 0.

Table 6-16. Loop Follower MSEL2 Resistor to AGND Code for and Programming

| RESISTOR TO AGND CODE | DEVICE NUMBER, NUMBER OF PHASES | IOUT_OC_WARN_LIMIT (A) / IOUT_OC_FAULT_LIMIT (A) |
|-----------------------|---------------------------------|--|
| Short | Device 1, 2-phase | 40/52 |
| Float | Device 1, 2-phase | 30/39 |
| 6 | Device 1, 2-phase | 40/52 |
| 7 | Device1, 2-phase | 30/39 |
| 4 | Device 1, 3-phase | 40/52 |
| 5 | Device 1, 3-phase | 30/39 |
| 8 | Device 2, 3-phase | 40/52 |
| 9 | Device 2, 3-phase | 30/39 |
| 2 | Device 1, 4-phase | 40/52 |
| 3 | Device 1, 4-phase | 30/39 |
| 14 | Device 2, 4-phase | 40/52 |
| 15 | Device 2, 4-phase | 30/39 |

Table 6-16. Loop Follower MSEL2 Resistor to AGND Code for and Programming (continued)

| RESISTOR TO AGND CODE | DEVICE NUMBER, NUMBER OF PHASES | IOUT_OC_WARN_LIMIT (A) / IOUT_OC_FAULT_LIMIT (A) |
|-----------------------|---------------------------------|--|
| 10 | Device 3, 4-phase | 40/52 |
| 11 | Device 3, 4-phase | 30/39 |

Note

During the power-on sequence, device 0 (stack loop controller) reads back phase information from all connected loop followers, if any loop follower phase response does not match the (*ECh*) *MFR_SPECIFIC_28 (STACK_CONFIG)* results of the loop controller, the converter sets the POR fault bit in (*80h*) *STATUS_MFR_SPECIFIC* but does not allow conversion. After all connected devices respond to Device 0, Device 0 passes remaining pin-strap information to the Loop Followers to make sure of matched programming during operation. Adding an additional phase requires adjusting the MSEL2 resistors on the loop controller device and the MSEL2 resistor to ground on all other loop follower devices.

6.5.2.6 Pin-Strapping Resistor Configuration

Table 6-17 and Table 6-18 provide the bottom resistor (pin to AGND) values in ohms, and the top resistor (pin to BP1V5) values in ohms. Select the column with the desired R2G code in the top row and the row with the desired resistor divider code in the left most column. The Pin-to-AGND resistor value is the resistor value in the highlighted row in the first column under the desired R2G code. The Pin-to-BP1V5 resistor value, if used, is the resistor value in the row starting with the desired divider code in the left most column under the desired R2G code and resistor.

Table 6-17. Pin-Strapping Resistor (Ω) Table for R2G Codes 0-7

| R2G code | 0 | 1 | 2 | 3 | 4 | 5 | 6 | 7 |
|------------------|-----------------------------|-------|-------|-------|-------|-------|-------|-------|
| Rbot → | 4640 | 5620 | 6810 | 8250 | 10000 | 12100 | 14700 | 17800 |
| Divider Code (↓) | Resistor to BP1V5 Value (Ω) | | | | | | | |
| 0 | 21500 | 26100 | 31600 | 38300 | 46400 | 56200 | 68100 | 82500 |
| 1 | 15400 | 18700 | 22600 | 27400 | 33200 | 40200 | 48700 | 59000 |
| 2 | 11500 | 14000 | 16900 | 20500 | 24900 | 30100 | 36500 | 44200 |
| 3 | 9090 | 11000 | 13300 | 16200 | 19600 | 23700 | 28700 | 34800 |
| 4 | 7150 | 8660 | 10500 | 12700 | 15400 | 18700 | 22600 | 27400 |
| 5 | 5620 | 6810 | 8250 | 10000 | 12100 | 14700 | 17800 | 21500 |
| 6 | 4640 | 5620 | 6810 | 8250 | 10000 | 12100 | 14700 | 17800 |
| 7 | 3830 | 4640 | 5620 | 6810 | 8250 | 10000 | 12100 | 14700 |
| 8 | 3160 | 3830 | 4640 | 5620 | 6810 | 8250 | 10000 | 12100 |
| 9 | 2610 | 3160 | 3830 | 4640 | 5620 | 6810 | 8250 | 10000 |
| 10 | 2050 | 2490 | 3010 | 3650 | 4420 | 5360 | 6490 | 7870 |
| 11 | 1620 | 1960 | 2370 | 2870 | 3480 | 4220 | 5110 | 6190 |
| 12 | 1270 | 1540 | 1870 | 2260 | 2740 | 3320 | 4020 | 4870 |
| 13 | 953 | 1150 | 1400 | 1690 | 2050 | 2490 | 3010 | 3650 |
| 14 | 715 | 866 | 1050 | 1270 | 1540 | 1870 | 2260 | 2740 |
| 15 | 511 | 619 | 750 | 909 | 1100 | 1330 | 1620 | 1960 |

Table 6-18. Pin-Strapping Resistor (Ω) Table for R2G Codes 8-15

| R2G code | 8 | 9 | 10 | 11 | 12 | 13 | 14 | 15 |
|----------|-------|-------|-------|-------|-------|-------|-------|-------|
| Rbot → | 21500 | 26100 | 31600 | 38300 | 46400 | 56200 | 68100 | 82500 |

Table 6-18. Pin-Strapping Resistor (Ω) Table for R2G Codes 8-15 (continued)

| Divider Code (↓) | Resistor to BP1V5 Value (Ω) | | | | | | | |
|---------------------|--------------------------------------|--------|--------|--------|--------|--------|--------|--------|
| 0 | 100000 | 121000 | 147000 | 178000 | 215000 | 261000 | 316000 | 402000 |
| 1 | 71500 | 86600 | 105000 | 127000 | 154000 | 187000 | 226000 | 274000 |
| 2 | 53600 | 64900 | 78700 | 95300 | 115000 | 140000 | 169000 | 205000 |
| 3 | 42200 | 51100 | 61900 | 75000 | 90900 | 110000 | 133000 | 162000 |
| 4 | 33200 | 40200 | 48700 | 59000 | 71500 | 86600 | 105000 | 127000 |
| 5 | 26100 | 31600 | 38300 | 46400 | 56200 | 68100 | 82500 | 100000 |
| 6 | 21500 | 26100 | 31600 | 38300 | 46400 | 56200 | 68100 | 82500 |
| 7 | 17800 | 21500 | 26100 | 31600 | 38300 | 46400 | 56200 | 68100 |
| 8 | 14700 | 17800 | 21500 | 26100 | 31600 | 38300 | 46400 | 56200 |
| 9 | 12100 | 14700 | 17800 | 21500 | 26100 | 31600 | 38300 | 46400 |
| 10 | 9530 | 11500 | 14000 | 16900 | 20500 | 24900 | 30100 | 26500 |
| 11 | 7500 | 9090 | 11000 | 13300 | 16200 | 19600 | 23700 | 28700 |
| 12 | 5900 | 7150 | 8660 | 10500 | 12700 | 15400 | 18700 | 22600 |
| 13 | 4420 | 5360 | 6490 | 7870 | 9530 | 11500 | 14000 | 16900 |
| 14 | 3320 | 4020 | 4870 | 5900 | 7150 | 8660 | 10500 | 12700 |
| 15 | 2370 | 2870 | 3480 | 4220 | 5110 | 6190 | 7500 | 9090 |

7 Register Maps

7.1 Conventions for Documenting Block Commands

According to the SMBus specification, block commands are transmitted across the PMBus interface in ascending order. The description below shows the convention this document follows for documenting block commands.

This document follows the convention for byte ordering of block commands:

When block values are listed as register map tables, they are listed in byte order from top to bottom starting with Byte N and ending with Byte 0.

- Byte 0 (first byte sent) corresponds to bits 7:0.
- Byte 1 (second byte sent) corresponds to bits 15:8.
- Byte 2 (third byte sent) corresponds to bits 23:16.
- ... and so on

When block values are listed as text in hexadecimal, they are listed in byte order, from left to right, starting with Byte 0 and ending with Byte N with a space between each byte of the value. In block 54 49 54 6D 24 62h, the byte order is:

- Byte 0, bits 7:0, = 54h
- Byte 1, bits 15:8, = 49h
- Byte 2, bits 23:16, = 6Dh
- Byte 3, bits 31:24, = 24h
- Byte 4, bits 39:32, = 62h

Figure 7-1. Block Command Byte Ordering

| | | | | | | | |
|----------|----|----|----|----|----|----|----|
| 47 | 46 | 45 | 44 | 43 | 42 | 41 | 40 |
| RW | RW | RW | RW | RW | RW | RW | RW |
| Byte N | | | | | | | |
| 39 | 38 | 37 | 36 | 35 | 34 | 33 | 32 |
| RW | RW | RW | RW | RW | RW | RW | RW |
| Byte ... | | | | | | | |
| 31 | 30 | 29 | 28 | 27 | 26 | 25 | 24 |
| RW | RW | RW | RW | RW | RW | RW | RW |
| Byte 3 | | | | | | | |
| 23 | 22 | 21 | 20 | 19 | 18 | 17 | 16 |
| RW | RW | RW | RW | RW | RW | RW | RW |
| Byte 2 | | | | | | | |
| 15 | 14 | 13 | 12 | 11 | 10 | 9 | 8 |
| RW | RW | RW | RW | RW | RW | RW | RW |
| Byte 1 | | | | | | | |
| 7 | 6 | 5 | 4 | 3 | 2 | 1 | 0 |
| RW | RW | RW | RW | RW | RW | RW | RW |
| Byte 0 | | | | | | | |

LEGEND: R/W = Read/Write; R = Read only

7.2 (01h) OPERATION

| | |
|--------------------|--------------------------|
| CMD Address | 01h |
| Write Transaction: | Write Byte |
| Read Transaction: | Read Byte |
| Format: | Unsigned Binary (1 byte) |
| Phased: | No |
| NVM Back-up: | No |
| Updates: | On-the-fly |

The (01h) OPERATION command is used to enable or disable power conversion, in conjunction input from the enable pins, according to the configuration of the (02h) ON_OFF_CONFIG command. It is also used to set the output voltage to the upper or lower MARGIN levels, and select soft-stop.

Figure 7-2. (01h) OPERATION Register Map

| 7 | 6 | 5 | 4 | 3 | 2 | 1 | 0 |
|--------|----------|--------|----|----|----|------------|---|
| RW | RW | RW | RW | RW | RW | RW | R |
| ON_OFF | SOFT_OFF | MARGIN | | | | TRANSITION | 0 |

LEGEND: R/W = Read/Write; R = Read only

Table 7-1. Register Field Descriptions

| Bit | Field | Access | Reset | Description |
|-----|------------|--------|-------|--|
| 7 | ON_OFF | RW | 0b | Enable/disable power conversion when the (02h) ON_OFF_CONFIG command is configured to require input from the CMD bit for output control. Note that there can be several other requirements that must be satisfied before the power conversion can begin (for example, input voltages above UVLO thresholds, enable pins high if required by (02h) ON_OFF_CONFIG and so forth). 0b: Disable power conversion. 1b: Enable power conversion and enable Ignore Faults on MARGIN. |
| 6 | SOFT_OFF | RW | 0b | This bit controls the turn-off profile when (02h) ON_OFF_CONFIG is configured to require input from the CMD bit for output voltage control and OPERATION bit 7 transitions from 1b to 0b is ignored when bit 7 is 1b. 0b: Immediate Off. Power conversion stops immediately and the power stage is forced to a high-Z state. 1b: Soft Off. Power conversion continues for the TOFF_DELAY time, then the output voltage is ramped down to 0 V at a slew rate according to TOFF_FALL. After the output voltage reaches 0 V, power conversions stops. |
| 5:2 | MARGIN | RW | 0000b | Sets the margin state. 0000b, 0001b, 0010b: Margin OFF. Output voltage target is (21h) VOUT_COMMAND, OV/UV faults behave normally per their respective fault response settings 0. 0101b: Margin Low (Ignore Fault if bit 7 is 1b). Output voltage target is VOUT_MARGIN_LOW. OV/UV faults are ignored and do not trigger shut-down or STATUS updates. 0110b: Margin Low (Act on Fault). Output voltage target is (26h) VOUT_MARGIN_LOW. OV/UV faults trigger per their respective fault response settings. 1001b: Margin High (Ignore Fault). Output voltage target is VOUT_MARGIN_HIGH. OV/UV trigger are ignored and do not trigger shutdown or STATUS update. 1010b: Margin High (Act on Fault). Output voltage target is (25h) VOUT_MARGIN_HIGH. OV/UV trigger per their respective fault response settings. Other: Invalid/Unsupported data |
| 1 | TRANSITION | R | 0b | Not used and always set to 0. |
| 0 | Reserved | R | 0b | Not used and always set to 0. |

Attempts to write (01h) OPERATION to any value other than those listed above will be considered invalid/ unsupported data and cause the TPSM8S6B24S to respond by flagging the appropriate status bits, and notifying the host according to the PMBus 1.3.1 Part II specification, section 10.9.3.

7.3 (02h) ON_OFF_CONFIG

| | |
|--------------------|--------------------------|
| CMD Address | 02h |
| Write Transaction: | Write Byte |
| Read Transaction: | Read Byte |
| Format: | Unsigned Binary (1 byte) |
| Phased: | No |
| NVM Back-up: | EEPROM |
| Updates: | On-the-fly |

The (02h) ON_OFF_CONFIG command configures the combination of enable pin input and serial bus commands needed to enable/disable power conversion. This includes how the unit responds when power is applied to PVIN.

Figure 7-3. (02h) ON_OFF_CONFIG Register Map

| 7 | 6 | 5 | 4 | 3 | 2 | 1 | 0 |
|---|---|---|----|-----|----|----------|-------|
| R | R | R | RW | RW | RW | RW | RW |
| 0 | 0 | 0 | PU | CMD | CP | POLARITY | DELAY |

LEGEND: R/W = Read/Write; R = Read only

Table 7-2. Register Field Descriptions

| Bit | Field | Access | Reset | Description |
|-----|----------|--------|-------|---|
| 7:5 | Reserved | R | 000b | Not used and always set to 0. |
| 4 | PU | RW | NVM | 0b: Unit starts power conversion any time the input power is present regardless of the state of the CONTROL pin. 1b: Act on CONTROL. (01h) OPERATION command to start/stop power conversion, or both. |
| 3 | CMD | RW | NVM | 0b: Ignore (01h) OPERATION Command to start/stop power conversion. 1b: Act on (01h) OPERATION Command (and CONTROL pin if configured by CP) to start/stop power conversion. |
| 2 | CP | RW | NVM | 0b: Ignore CONTROL pin to start/stop power conversion. The UVLO function of the EN/UVLO pin is not active when CONTROL pin is ignored. 1b: Act on CONTROL pin (and (01h) OPERATION Command if configured by bit [3]) to start/stop power conversion. |
| 1 | POLARITY | RW | NVM | 0b: CONTROL pin has active low polarity. The UVLO function of the EN/UVLO pin cannot be used when CONTROL has active low polarity. 1b: CONTROL pin has active high polarity. |
| 0 | DELAY | RW | NVM | 0b: When power conversion is commanded OFF by the CONTROL pin (must be configured to respect the CONTROL pin as above), continue regulating for the (64h) TOFF_DELAY time, then ramp the output voltage to 0 V, in the time defined by (65h) TOFF_FALL. 1b: When power conversion is commanded OFF by the CONTROL pin (must be configured to respect the CONTROL pin as above), stop power conversion immediately. |

For the purposes of (02h) ON_OFF_CONFIG, the device pin EN/UVLO is the CONTROL pin.

Attempts to write (02h) ON_OFF_CONFIG to any value other than those explicitly listed above will be considered invalid/unsupported data and cause the TPSM8S6B24S to respond by flagging the appropriate status bits, and notifying the host according to the PMBus 1.3.1 Part II specification, section 10.9.3.

7.4 (03h) CLEAR_FAULTS

| | |
|--------------------|------------|
| CMD Address | 03h |
| Write Transaction: | Send Byte |
| Read Transaction: | N/A |
| Format: | Data-less |
| Phased: | Yes |
| NVM Back-up: | No |
| Updates: | On-the-fly |

CLEAR_FAULTS is a phased command used to clear any fault bits that have been set. This command simultaneously clears all bits in all status registers of the selected phase, or all phases if PHASE = FFh. At the same time, the device releases its SMB_ALERT# signal output if SMB_ALERT# is asserted. **CLEAR_FAULTS** is a write-only command with no data.

The **CLEAR_FAULTS** command does not cause a unit that has latched off for a fault condition to restart. If the fault is still present when the bit is cleared, the fault bit is immediately set again and the host is notified by the usual means.

If the device responds to an Alert Response Address (ARA) from the host, it will clear SMB_ALERT# but not the offending status bit or bits (as it has successfully notified the host and then expects the host to handle the interrupt appropriately). The original fault and any from other sources that occur between the initial assertion of SMB_ALERT# and the successful response of the device to the ARA are cleared (through **CLEAR_FAULTS**, OFF-ON toggle, or power reset) before any of these sources are allowed to re-trigger SMB_ALERT#. However, fault sources which only become active post-ARA trigger SMB_ALERT#.

Figure 7-4. (03h) CLEAR_FAULTS Register Map

| 7 | 6 | 5 | 4 | 3 | 2 | 1 | 0 |
|--------------|---|---|---|---|---|---|---|
| W | W | W | W | W | W | W | W |
| CLEAR_FAULTS | | | | | | | |

LEGEND: R/W = Read/Write; R = Read only

7.5 (04h) PHASE

| | |
|--------------------|--------------------------|
| CMD Address | 04h |
| Write Transaction: | Write Byte |
| Read Transaction: | Read Byte |
| Format: | Unsigned Binary (1 byte) |
| Phased: | No |
| NVM Back-up: | No |
| Updates: | On-the-fly |

The **PHASE** command provides the ability to configure, control, and monitor individual phases. Each **PHASE** contains the Operating Memory and User Store and Default Store for each phase output. The phase selected by the **PHASE** command will be used for all subsequent phase-dependent commands. The phase configuration needs to be established before any phase-dependent command can be successfully executed.

In the TPSM8S6B24S, each **PHASE** is a separate device. The loop and PMBus loop controller device, GOSNS/ Loop Follower connected to ground, will always be PHASE = 00h. Loop follower devices, GOSNS/loop follower connected to BP1V5, have their phase assignment defined by their phase position, as defined by INTERLEAVE or MSEL2

Figure 7-5. (04h) PHASE Register Map

| | | | | | | | |
|-------|----|----|----|----|----|----|----|
| 7 | 6 | 5 | 4 | 3 | 2 | 1 | 0 |
| RW | RW | RW | RW | RW | RW | RW | RW |
| PHASE | | | | | | | |

LEGEND: R/W = Read/Write; R = Read only

Table 7-3. Register Field Descriptions

| Bit | Field | Access | Reset | Description |
|-----|-------|--------|-------|---|
| 7:0 | PHASE | RW | FFh | 00h: All commands address Phase 1. 01h: All commands address Phase 2. 02h: All commands address Phase 3. 03h: All commands address Phase 4. 04h-FEh: Unsupported/Invalid data FFh: Commands are addressed to all phases as a single entity. See the following text for more information. |

The range of valid data for **PHASE** also depends on the phase configuration. Attempts to write (04h) **PHASE** to a value not supported by the current phase configuration will be considered invalid/unsupported data and cause the TPSM8S6B24S to respond by flagging the appropriate status bits and notifying the host according to the PMBus 1.3.1 Part II specification, section 10.9.3.

7.6 (10h) WRITE_PROTECT

| | |
|--------------------|--------------------------|
| CMD Address | 10h |
| Write Transaction: | Write Byte |
| Read Transaction: | Read Byte |
| Format: | Unsigned Binary (1 byte) |
| Phased: | No |
| NVM Back-up: | EEPROM |
| Updates: | On-the-fly |

The [WRITE_PROTECT](#) command controls writing to the PMBus device. The intent of this command is to provide protection against accidental changes; it has one data byte that is described below. This command does NOT provide protection against deliberate or malicious changes to a configuration or operation of the device. All supported commands can have their parameters read, regardless of the [WRITE_PROTECT](#) settings.

Figure 7-6. (10h) WRITE_PROTECT Register Map

| | | | | | | | |
|---------------|----|----|----|----|----|----|----|
| 7 | 6 | 5 | 4 | 3 | 2 | 1 | 0 |
| RW | RW | RW | RW | RW | RW | RW | RW |
| WRITE_PROTECT | | | | | | | |

LEGEND: R/W = Read/Write; R = Read only

Table 7-4. Register Field Descriptions

| Bit | Field | Access | Reset | Description |
|-----|---------------|--------|-------|--|
| 7:0 | WRITE_PROTECT | RW | NVM | 00h: Enable writes to all commands. 20h: Disables all write access except to the WRITE_PROTECT, OPERATION, ON_OFF_CONFIG, STORE_USER_ALL, and VOUT_COMMAND commands. 40h: Disables all WRITES except to the WRITE_PROTECT, OPERATION, and STORE_USER_ALL commands. 80h: Disables all WRITES except to the WRITE_PROTECT and STORE_USER_ALL commands. Other: Invalid/Unsupported data |

Attempts to write [\(10h\) WRITE_PROTECT](#) to any invalid value as specified above will be considered invalid/unsupported data and cause the TPSM8S6B24S to respond by flagging the appropriate status bits, and notifying the host according to the PMBus 1.3.1 Part II specification, section 10.9.3.

7.7 (15h) STORE_USER_ALL

| | |
|--------------------|--|
| CMD Address | 15h |
| Write Transaction: | Send Byte |
| Read Transaction: | N/A |
| Format: | Data-less |
| Phased: | No, PHASE = FFh only |
| NVM Back-up: | No |
| Updates: | Not recommended for on-the-fly-use, but not explicitly blocked |

The [STORE_USER_ALL](#) command instructs the PMBus device to copy the entire contents of the Operating Memory to the matching locations in the non-volatile User Store memory. Any items in Operating Memory that do not have matching locations in the User Store are ignored.

NVM Store operations are not recommended while the output voltages are in regulation, although the user is not explicitly prevented from doing so, as interruption can result in a corrupted NVM. PMBus commands issued during this time can cause long clock stretch times, or simply be ignored. TI recommends disabling regulation, and waiting a minimum of 100 ms before continuing, following issuance of NVM store operations.

To prevent storing mismatched register values to NVM, STORE_USER_ALL must not be used unless PHASE = FFh.

Figure 7-7. (15h) STORE_USER_ALL Register Map

| 7 | 6 | 5 | 4 | 3 | 2 | 1 | 0 |
|----------------|---|---|---|---|---|---|---|
| W | W | W | W | W | W | W | W |
| STORE_USER_ALL | | | | | | | |

LEGEND: R/W = Read/Write; R = Read only

7.8 (16h) RESTORE_USER_ALL

| | |
|--------------------|------------------------------------|
| CMD Address | 16h |
| Write Transaction: | Send Byte |
| Read Transaction: | N/A |
| Format: | Data-less |
| Phased: | No, PHASE = FFh only |
| NVM Back-up: | No |
| Updates: | Disables Regulation during RESTORE |

The [RESTORE_USER_ALL](#) command instructs the PMBus device to disable operation and copy the entire contents of the non-volatile User Store memory to the matching locations in the Operating Memory, then Overwrite Operating Memory of any commands selected in PIN_DETECT_OVERRIDE with their last read pin-detected values. The values in the Operating Memory are overwritten by the value retrieved from the User Store and Pin Detection. Any items in User Store that do not have matching locations in the Operating Memory are ignored.

To prevent storing mismatched register values to NVM, RESTORE_USER_ALL must not be used unless PHASE = FFh.

Figure 7-8. (16h) RESTORE_USER_ALL Register Map

| 7 | 6 | 5 | 4 | 3 | 2 | 1 | 0 |
|------------------|---|---|---|---|---|---|---|
| W | W | W | W | W | W | W | W |
| RESTORE_USER_ALL | | | | | | | |

LEGEND: R/W = Read/Write; R = Read only

7.9 (19h) CAPABILITY

| | |
|--------------------|--------------------------|
| CMD Address | 19h |
| Write Transaction: | N/A |
| Read Transaction: | Read Byte |
| Format: | Unsigned Binary (1 byte) |
| Phased: | No |
| NVM Back-up: | No |
| Updates: | N/A |

This command provides a way for the host to determine the capabilities of this PMBus device. This command is read-only and has one data byte formatted as below.

Figure 7-9. (19h) CAPABILITY Register Map

| 7 | 6 | 5 | 4 | 3 | 2 | 1 | 0 |
|-----|-------|---|-------|--------|--------|---|---|
| R | R | R | R | R | R | R | R |
| PEC | SPEED | | ALERT | FORMAT | AVSBUS | 0 | 0 |

LEGEND: R/W = Read/Write; R = Read only

Table 7-5. Register Field Descriptions

| Bit | Field | Access | Reset | Description |
|-----|----------|--------|-------|--|
| 7 | PEC | R | 1b | 1b: Packet Error Checking is supported. |
| 6:5 | SPEED | R | 10b | 10b: Maximum supported bus speed is 1 MHz. |
| 4 | ALERT | R | 1b | 1b: The device has an SMB_ALERT# pin and supports the SMBus Alert Response Protocol. |
| 3 | FORMAT | R | 0b | 0b: Numeric format is LINEAR or DIRECT. |
| 2 | AVSBUS | R | 0b | 0b: AVSBus is NOT supported. |
| 1:0 | Reserved | R | 00b | Reserved and always set to 0. |

Attempts to write (19h) CAPABILITY to any value will be considered invalid/unsupported data and cause the TPSM8S6B24S to respond by flagging the appropriate status bits and notifying the host according to the PMBus 1.3.1 Part II specification, section 10.9.3.

7.10 (1Bh) SMBALERT_MASK

| | |
|--------------------|--|
| CMD Address | 1Bh |
| Write Transaction: | Write Word |
| Read Transaction: | Block-Write/Block-Read Process Call |
| Format: | Write: Unsigned Binary (2 bytes)Read: Unsigned Binary (1 byte) |
| Phased: | No, Only PHASE = FFh is supported |
| NVM Back-up: | EEPROM |
| Updates: | On-the-fly |

The [SMBALERT_MASK](#) command can be used to prevent a warning or fault condition from asserting the SMBALERT# signal. Setting a MASK bit does not prevent the associated bit in the STATUS_CMD from being set, but prevents the associated bit in the STATUS_CMD from asserting SMB_ALERT#. See Reference [3] for more information on the command format. The following register descriptions describe the individual mask bits available.

SMBALERT_MASK Write Transaction = Write Word. CMD = 1Bh, Low =STATUS_CMD, High=MASK

SMBALERT_MASK Read Transaction = Block-Write/Block-Read Process Call. Write 1 byte block with STATUS_CMD, read 1 byte block.

7.11 (1Bh) SMBALERT_MASK_VOUT

| | |
|--------------------|-------------------------------------|
| CMD Address | 1Bh (with CMD byte = 7Ah) |
| Write Transaction: | Write Word |
| Read Transaction: | Block-Write/Block-Read Process Call |
| Format: | Unsigned Binary (1 byte) |
| Phased: | No, Only PHASE = FFh is supported |
| NVM Back-up: | EEPROM |
| Updates: | On-the-fly |

SMBALERT_MASK bits for the [STATUS_VOUT](#) command

Figure 7-10. (1Bh) SMBALERT_MASK_VOUT Register Map

| 7 | 6 | 5 | 4 | 3 | 2 | 1 | 0 |
|-----------|-----------|-----------|-----------|--------------|----------|---|---|
| RW | RW | RW | RW | RW | RW | R | R |
| mVOUT_OVF | mVOUT_OVW | mVOUT_UVW | mVOUT_UVF | mVOUT_MINMAX | mTON_MAX | 0 | 0 |

LEGEND: R/W = Read/Write; R = Read only

Table 7-6. Register Field Descriptions

| Bit | Field | Access | Reset | Description |
|-----|---------------|--------|-------|--|
| 7 | mVOUT_OVF | RW | NVM | 0b: SMBALERT may assert due to this condition. 1b: SMBALERT may NOT assert due to this condition. |
| 6 | mVOUT_OVW | RW | NVM | 0b: SMBALERT may assert due to this condition. 1b: SMBALERT may NOT assert due to this condition. |
| 5 | mVOUT_UVW | RW | NVM | 0b: SMBALERT may assert due to this condition. 1b: SMBALERT may NOT assert due to this condition. |
| 4 | mVOUT_UVF | RW | NVM | 0b: SMBALERT may assert due to this condition. 1b: SMBALERT may NOT assert due to this condition. |
| 3 | mVOUT_MINMAX | RW | NVM | 0b: SMBALERT may assert due to this condition. 1b: SMBALERT may NOT assert due to this condition. |
| 2 | mTON_MAX | RW | NVM | 0b: SMBALERT may assert due to this condition. 1b: SMBALERT may NOT assert due to this condition. |
| 1:0 | Not supported | R | 00b | Not supported and always set to 00b. |

7.12 (1Bh) SMBALERT_MASK_IOUT

| | |
|--------------------|-------------------------------------|
| CMD Address | 1Bh (with CMD byte = 7Bh) |
| Write Transaction: | Write Word |
| Read Transaction: | Block-Write/Block-Read Process Call |
| Format: | Unsigned Binary (1 byte) |
| Phased: | No, Only PHASE = FFh is supported |
| NVM Back-up: | EEPROM |
| Updates: | On-the-fly |

SMBALERT_MASK bits for [STATUS_IOUT](#)

Figure 7-11. (1Bh) SMBALERT_MASK_IOUT Register Map

| 7 | 6 | 5 | 4 | 3 | 2 | 1 | 0 |
|-----------|---|-----------|-----------|---|---|---|---|
| RW | R | RW | RW | R | R | R | R |
| mIOUT_OCF | 0 | mIOUT_OCW | mIOUT_UCF | 0 | 0 | 0 | 0 |

LEGEND: R/W = Read/Write; R = Read only

Table 7-7. Register Field Descriptions

| Bit | Field | Access | Reset | Description |
|-----|---------------|--------|-------|--|
| 7 | mIOUT_OCF | RW | NVM | 0b: SMBALERT may assert due to this condition. 1b: SMBALERT may NOT assert due to this condition. |
| 6 | Not supported | R | 0b | Not supported |
| 5 | mIOUT_OCW | RW | NVM | 0b: SMBALERT may assert due to this condition. 1b: SMBALERT may NOT assert due to this condition. |
| 4 | mIOUT_UCF | RW | NVM | 1b: SMBALERT may NOT assert due to this condition. |
| 3 | Not supported | R | 0b | Not supported |
| 2:0 | Not supported | RW | 0b | Not supported |

7.13 (1Bh) SMBALERT_MASK_INPUT

| | |
|--------------------|-------------------------------------|
| CMD Address | 1Bh (with CMD byte = 7Ch) |
| Write Transaction: | Write Word |
| Read Transaction: | Block-Write/Block-Read Process Call |
| Format: | Unsigned Binary (1 byte) |
| Phased: | No, Only PHASE = FFh is supported |
| NVM Back-up: | EEPROM |
| Updates: | On-the-fly |

SMBALERT_MASK bits for [STATUS_INPUT](#)

Figure 7-12. (1Bh) SMBALERT_MASK_INPUT Register Map

| 7 | 6 | 5 | 4 | 3 | 2 | 1 | 0 |
|---|---|---|---|----------|---|---|---|
| R | R | R | R | RW | R | R | R |
| 0 | 0 | 0 | 0 | mLOW_VIN | 0 | 0 | 0 |

LEGEND: R/W = Read/Write; R = Read only

Table 7-8. Register Field Descriptions

| Bit | Field | Access | Reset | Description |
|-----|---------------|--------|-------|--|
| 7 | Not supported | R | 0b | Not supported |
| 6 | Not supported | R | 0b | Not supported |
| 5 | Not supported | R | 0b | Not supported |
| 4 | Not supported | R | 0b | Not supported |
| 3 | mLOW_VIN | RW | NVM | 0b: SMBALERT may assert due to this condition. 1b: SMBALERT may NOT assert due to this condition. |
| 2 | Not supported | R | 0b | Not supported |
| 1 | Not supported | R | 0b | Not supported |
| 0 | Not supported | R | 0b | Not supported |

7.14 (1Bh) SMBALERT_MASK_TEMPERATURE

| | |
|--------------------|-------------------------------------|
| CMD Address | 1Bh (with CMD byte = 7Dh) |
| Write Transaction: | Write Word |
| Read Transaction: | Block-Write/Block-Read Process Call |
| Format: | Unsigned Binary (1 byte) |
| Phased: | No, Only PHASE = FFh is supported |
| NVM Back-up: | EEPROM |
| Updates: | On-the-fly |

SMBALERT_MASK bits for [STATUS_TEMPERATURE](#)

Figure 7-13. (1Bh) SMBALERT_MASK_TEMPERATURE Register Map

| 7 | 6 | 5 | 4 | 3 | 2 | 1 | 0 |
|------|------|---|---|---|---|---|---|
| RW | RW | R | R | R | R | R | R |
| mOTF | mOTW | 0 | 0 | 0 | 0 | 0 | 0 |

LEGEND: R/W = Read/Write; R = Read only

Table 7-9. Register Field Descriptions

| Bit | Field | Access | Reset | Description |
|-----|---------------|--------|-------|--|
| 7 | mOTF | RW | NVM | 0b: SMBALERT may assert due to this condition. 1b: SMBALERT may NOT assert due to this condition. |
| 6 | mOTW | RW | NVM | 0b: SMBALERT may assert due to this condition. 1b: SMBALERT may NOT assert due to this condition. |
| 5:0 | Not supported | R | 0d | Not supported and always set to 000000b. |

7.15 (1Bh) SMBALERT_MASK_CML

| | |
|--------------------|-------------------------------------|
| CMD Address | 1Bh (with CMD byte = 7Eh) |
| Write Transaction: | Write Word |
| Read Transaction: | Block-Write/Block-Read Process Call |
| Format: | Unsigned Binary (1 byte) |
| Phased: | No, Only PHASE = FFh is supported |
| NVM Back-up: | EEPROM |
| Updates: | On-the-fly |

SMBALERT_MASK bits for [STATUS_CML](#)

Figure 7-14. (1Bh) SMBALERT_MASK_CML Register Map

| 7 | 6 | 5 | 4 | 3 | 2 | 1 | 0 |
|------|------|------|------|---|---|-------|---|
| RW | RW | RW | RW | | R | RW | R |
| mIVC | mIVD | mPEC | mMEM | | 0 | mCOMM | 0 |

LEGEND: R/W = Read/Write; R = Read only

Table 7-10. Register Field Descriptions

| Bit | Field | Access | Reset | Description |
|-----|---------------|--------|-------|--|
| 7 | mIVC | RW | NVM | 0b: SMBALERT may assert due to this condition. 1b: SMBALERT may NOT assert due to this condition. |
| 6 | mIVD | RW | NVM | 0b: SMBALERT may assert due to this condition. 1b: SMBALERT may NOT assert due to this condition. |
| 5 | mPEC | RW | NVM | 0b: SMBALERT may assert due to this condition. 1b: SMBALERT may NOT assert due to this condition. |
| 4 | mMEM | RW | NVM | 0b: SMBALERT may assert due to this condition. 1b: SMBALERT may NOT assert due to this condition. |
| 3:2 | Not supported | R | 00b | Not supported |
| 1 | mCOMM | RW | NVM | 0b: SMBALERT may assert due to this condition. 1b: SMBALERT may NOT assert due to this condition. |
| 0 | Not supported | R | 0b | Not supported |

7.16 (1Bh) SMBALERT_MASK_OTHER

| | |
|--------------------|-------------------------------------|
| CMD Address | 1Bh (with CMD byte = 7Fh) |
| Write Transaction: | Write Word |
| Read Transaction: | Block-Write/Block-Read Process Call |
| Format: | Unsigned Binary (1 byte) |
| Phased: | No |
| NVM Back-up: | EEPROM |
| Updates: | On-the-fly |

SMBALERT_MASK bits for [STATUS_OTHER](#)

Figure 7-15. (1Bh) SMBALERT_MASK_OTHER Register Map

| 7 | 6 | 5 | 4 | 3 | 2 | 1 | 0 |
|---|---|---|---|---|---|---|-----------------|
| R | R | R | R | R | R | R | R |
| 0 | 0 | 0 | 0 | 0 | 0 | 0 | mFIRST_TO_ALERT |

LEGEND: R/W = Read/Write; R = Read only

Table 7-11. Register Field Descriptions

| Bit | Field | Access | Reset | Description |
|-----|-----------------|--------|-------|---|
| 7:1 | Not supported | R | 0h | Not supported |
| 0 | mFIRST_TO_ALERT | R | 1b | The FIRST_TO_ALERT bit does not in itself generate SMBALERT assertion, hence this bit is hard-coded to 1b (source is masked). |

7.17 (1Bh) SMBALERT_MASK_MFR

| | |
|--------------------|-------------------------------------|
| CMD Address | 1Bh (with CMD byte = 80h) |
| Write Transaction: | Write Word |
| Read Transaction: | Block-Write/Block-Read Process Call |
| Format: | Unsigned Binary (1 byte) |
| Phased: | No |
| NVM Back-up: | EEPROM |
| Updates: | On-the-fly |

SMBALERT_MASK bits for STATUS_MFR

Figure 7-16. (1Bh) SMBALERT_MASK_MFR Register Map

| 7 | 6 | 5 | 4 | 3 | 2 | 1 | 0 |
|------|-------|---|---|--------|------|-------|---|
| RW | RW | R | R | RW | RW | RW | R |
| mPOR | mSELF | 0 | 0 | mRESET | mBCX | mSYNC | 0 |

LEGEND: R/W = Read/Write; R = Read only

Table 7-12. Register Field Descriptions

| Bit | Field | Access | Reset | Description |
|-----|---------------|--------|-------|--|
| 7 | mPOR | RW | NVM | 0b: SMBALERT may assert due to this condition. 1b: SMBALERT may NOT assert due to this condition. |
| 6 | mSELF | RW | NVM | 0b: SMBALERT may assert due to this condition. 1b: SMBALERT may NOT assert due to this condition. Due to variations in AVIN UVLO, unmasking this bit can result in SMBALERT being asserted on power up. |
| 5 | Not supported | R | 0b | Not supported |
| 4 | Not supported | R | 0b | Not supported |
| 3 | mRESET | RW | NVM | 0b: SMBALERT may assert due to this condition. 1b: SMBALERT may NOT assert due to this condition. |
| 2 | mBCX | RW | NVM | 0b: SMBALERT may assert due to this condition. 1b: SMBALERT may NOT assert due to this condition. |
| 1 | mSYNC | RW | NVM | 0b: SMBALERT may assert due to this condition. 1b: SMBALERT may NOT assert due to this condition. When the Loop Controller device of a multi-phase stack is programmed for Auto Detect SYNC, unmasking this bit can result in a momentary assertion of SMBALERT when the multi-phase stack is enabled. |
| 0 | Not supported | R | 0b | Not supported |

7.18 (20h) VOUT_MODE

| | |
|--------------------|--|
| CMD Address | 20h |
| Write Transaction: | Write Byte |
| Read Transaction: | Read Byte |
| Format: | Unsigned Binary (1 byte) |
| Phased: | No |
| NVM Back-up: | EEPROM |
| Updates: | Conversion Disabled: on-the-fly, Conversion Enabled: Read Only |

The data byte for the [VOUT_MODE](#) command is one byte that consists of a three bit Mode and a five bit Parameter as shown in [Figure 7-17](#). The three bit Mode sets whether the device uses the ULINEAR16, Half-precision IEEE 754 floating point, or VID or DIRECT modes for output voltage related commands. The five bit Parameter provides more information about the selected mode, such as the ULINEAR16 Exponent or which manufacturer's VID codes are being used.

Figure 7-17. (20h) VOUT_MODE Register Map

| 7 | 6 | 5 | 4 | 3 | 2 | 1 | 0 |
|-----|------|---|-----------|----|----|----|----|
| RW | R | R | RW | RW | RW | RW | RW |
| REL | MODE | | PARAMETER | | | | |

LEGEND: R/W = Read/Write; R = Read only

Table 7-13. Register Field Descriptions

| Bit | Field | Access | Reset | Description |
|-----|---------------|--------|-------|---|
| 7 | REL | RW | NVM | 0b: Absolute Data Format 1b: Relative Data Format |
| 6:5 | MODE | R | 00b | 00b: Linear Format (ULINEAR16, SLINEAR16) Other: Unsupported/Invalid |
| 4:0 | PARAMETE R | RW | NVM | MODE = 00b (Linear Format): Specifies the exponent "N" to use with output voltage related commands, in two's complement format. Supported exponent values in the linear mode range from -4 (62.5 mV/LSB) to -12 (0.244 mV/LSB). Refer to the following text for more information. |

Changing [VOUT_MODE](#)

Changing [VOUT_MODE](#) will force an update to the values of many VOUT related commands to conform to the updated [VOUT_MODE](#) value including Relative versus Absolute mode and the linear Exponent value. When programming [VOUT_MODE](#) in conjunction with other VOUT related commands, VOUT related commands will be interpreted with the current [VOUT_MODE](#) value and converted if [VOUT_MODE](#) is later changed.

7.19 (21h) VOUT_COMMAND

| | |
|--------------------|--|
| CMD Address | 21h |
| Write Transaction: | Write Word |
| Read Transaction: | Read Word |
| Format: | ULINEAR16, Absolute Only per VOUT_MODE |
| Phased: | No |
| NVM Back-up: | EEPROM or Pin Detection |
| Updates: | on-the-fly |

[VOUT_COMMAND](#) causes the device to set its output voltage to the commanded value with two data bytes. Output voltage changes due to [VOUT_COMMAND](#) occur at the rate specified by [VOUT_TRANSITION_RATE](#).

When PGD/RST_B is configured as a RESET# pin in MISC_OPTIONS, assertion of the PGD/RST_B pin causes the output voltage to return to the VBOOT value, and causes the [VOUT_COMMAND](#) value to be updated accordingly.

Figure 7-18. (21h) VOUT_COMMAND Register Map

| | | | | | | | |
|--------------------------|----|----|----|----|----|----|----|
| 15 | 14 | 13 | 12 | 11 | 10 | 9 | 8 |
| RW | RW | RW | RW | RW | RW | RW | RW |
| VOUT_COMMAND (High Byte) | | | | | | | |
| 7 | 6 | 5 | 4 | 3 | 2 | 1 | 0 |
| RW | RW | RW | RW | RW | RW | RW | RW |
| VOUT_COMMAND (Low Byte) | | | | | | | |

LEGEND: R/W = Read/Write; R = Read only

Table 7-14. Register Field Descriptions

| Bit | Field | Access | Reset | Description |
|------|--------------|--------|-------|---|
| 15:0 | VOUT_COMMAND | RW | NVM | Sets the output voltage target via the PMBus interface. |

At power up, the reset value of [VOUT_COMMAND](#) is derived from either pin-detection on the VSEL pin, or from the NVM, depending on the VOUT_COMMAND bit in PIN_DETECT_OVERRIDE.

When the VOUT_COMMAND bit in PIN_DETECT_OVERRIDE = 0b, the default value of [VOUT_COMMAND](#) is restored from NVM at Power On Reset or RESTORE_USER_ALL.

When the VOUT_COMMAND bit in PIN_DETECT_OVERRIDE = 1b, the default value of [VOUT_COMMAND](#) is derived from pin-detection on the VSEL pin, at Power-On Reset or RESTORE_USER_ALL.

This default value, whether derived from pin detection, or NVM becomes the “default” output voltage (also referred to as “VBOOT”), and is stored in RAM separately from the current value of [VOUT_COMMAND](#).

BOOT Voltage Behavior

The RESET_FLT bit in MISC_OPTIONS selects the VOUT_COMMAND behavior following a fault-related shutdown. When RESET_FLT = 0b, the device will retain the current value of [VOUT_COMMAND](#) during HICCUP after a fault. When RESET_FLT = 1b, VOUT_COMMAND will reset to the last detected VSEL voltage or the NVM STORED value for VOUT_COMMAND as selected by the VOUT_COMMAND bit in MISC_OPTIONS.

Data Validity

Writes to [VOUT_COMMAND](#) for which the resulting value, including any offset from [VOUT_TRIM](#) is greater than the current [VOUT_MAX](#), or less than the current [VOUT_MIN](#), causes the reference DAC to move to the

value specified by [VOUT_MIN](#) or [VOUT_MAX](#) respectively, and causes the VOUT_MAX_MIN_WARNING fault condition, setting the appropriate bits in [STATUS_WORD](#), [STATUS_VOUT](#) and notifying the host per the PMBus 1.3.1 Part II specification, section 10.2.

7.20 (22h) VOUT_TRIM

| | |
|--------------------|---|
| CMD Address | 22h |
| Write Transaction: | Write Word |
| Read Transaction: | Read Word |
| Format: | SLINEAR16, Absolute Only per (20h) VOUT_MODE. |
| Phased: | No |
| NVM Back-up: | EEPROM |
| Updates: | on-the-fly |

VOUT_TRIM is used to apply a fixed offset voltage to the output voltage command value. Output voltage changes due to VOUT_TRIM occur at the rate specified by (27h) VOUT_TRANSITION_RATE.

Figure 7-19. (22h) VOUT_TRIM Register Map

| | | | | | | | |
|-----------------------|----|----|----|----|----|----|----|
| 15 | 14 | 13 | 12 | 11 | 10 | 9 | 8 |
| RW | RW | RW | RW | RW | RW | RW | RW |
| VOUT_TRIM (High Byte) | | | | | | | |
| 7 | 6 | 5 | 4 | 3 | 2 | 1 | 0 |
| RW | RW | RW | RW | RW | RW | RW | RW |
| VOUT_TRIM (Low Byte) | | | | | | | |

LEGEND: R/W = Read/Write; R = Read only

Table 7-15. Register Field Descriptions

| Bit | Field | Access | Reset | Description |
|------|-----------|--------|-----------|--|
| 15:0 | VOUT_TRIM | RW | See Below | Output voltage offset. SLINEAR16 (two's complement) format |

Limited NVM Backup

Only 8 bits of NVM backup are provided for this command. While the VOUT_TRIM command follows the (20h) VOUT_MODE exponent, NVM back-up is stored with an exponent -12 and stored values will be limited to +127 to -128 with an exponent -12 irrespective of (20h) VOUT_MODE.

Data Validity

Referring to the data validity table in (21h) VOUT_COMMAND (reproduced below), the output voltage value (including any offset from VOUT_TRIM, VOUT_COMMAND, VOUT_MARGIN, ...) may not exceed the values supported by the DAC hardware.

Programming a (21h) VOUT_COMMAND + (22h) VOUT_TRIM value greater than the maximum value supported by the DAC hardware but less than (24h) VOUT_MAX will result in the regulated output voltage clamping at the maximum value supported by the DAC hardware without setting the VOUT_MAX_MIN bit in (7Ah) STATUS_VOUT.

Table 7-16. VOUT_COMMAND/VOUT_MARGIN + VOUT_TRIM Data Validity (Linear Format)

| VOUT_SCALE_LOOP | INTERNAL DIVIDER | VALID VOUT_COMMAND /MARGIN + VOUT_TRIM VALUES |
|-----------------|------------------|---|
| 1.0 | None | 0.000V to 0.700 V |
| 0.5 | 1:1 | 0.000 V to 1.400 V |
| 0.25 | 1:3 | 0.000 V to 2.800 V |
| 0.125 | 1:7 | 0.000 V to 6.000 V |

The minimum and maximum valid data values for [VOUT_TRIM](#) follow the description in [\(21h\) VOUT_COMMAND](#). Attempts to write [VOUT_TRIM](#) to any value outside those specified as valid, will be considered invalid/unsupported data and cause the TPSM8S6B24S to respond by flagging the appropriate status bits, and notifying the host according to the PMBus 1.3.1 Part II specification section 10.9.3.

Writes to [VOUT_TRIM](#) for which the resulting output voltage is greater than the current [\(24h\) VOUT_MAX](#), or less than the current [\(2Bh\) VOUT_MIN](#), cause the reference DAC to move to the value specified by [\(2Bh\) VOUT_MIN](#) or [\(24h\) VOUT_MAX](#), respectively, and cause the VOUT_MAX_MIN_WARNING fault condition, setting the appropriate bits in [\(79h\) STATUS_WORD](#), [\(7Ah\) STATUS_VOUT](#) and notifying the host per the PMBus 1.3.1 Part II specification, section 10.2.

7.21 (24h) VOUT_MAX

| | |
|--------------------|--|
| CMD Address | 24h |
| Write Transaction: | Write Word |
| Read Transaction: | Read Word |
| Format: | ULINEAR16, Absolute Only per VOUT_MODE |
| Phased: | No |
| NVM Back-up: | EEPROM or Pin Detection |
| Updates: | On-the-fly |

The [VOUT_MAX](#) command sets an upper limit on the output voltage the unit and can command regardless of any other commands or combinations. The intent of this command is to provide a safeguard against a user accidentally setting the output voltage to a possibly destructive level.

Figure 7-20. (24h) VOUT_MAX Register Map

| | | | | | | | |
|----------------------|----|----|----|----|----|----|----|
| 15 | 14 | 13 | 12 | 11 | 10 | 9 | 8 |
| RW | RW | RW | RW | RW | RW | RW | RW |
| VOUT_MAX (High Byte) | | | | | | | |
| 7 | 6 | 5 | 4 | 3 | 2 | 1 | 0 |
| RW | RW | RW | RW | RW | RW | RW | RW |
| VOUT_MAX (Low Byte) | | | | | | | |

LEGEND: R/W = Read/Write; R = Read only

Table 7-17. Register Field Descriptions

| Bit | Field | Access | Reset | Description |
|------|----------|--------|-------|---|
| 15:0 | VOUT_MAX | RW | NVM | Maximum output voltage. ULINEAR16 absolute per the setting of VOUT_MODE . Refer to the following description for data validity. |

While conversion is enabled, any output voltage change (including [VOUT_COMMAND](#), [VOUT_TRIM](#), margin operations) that causes the new target voltage to be greater than the current value of [VOUT_MAX](#) will cause the [VOUT_MAX_MIN_WARNING](#) fault condition. This result causes the TPSM8S6B24S to:

- Set to the output voltage to current value of [VOUT_MAX](#), at the slew rate defined by [VOUT_TRANSITION_RATE](#).
- Set the NONE OF THE ABOVE bit in the [STATUS_BYTE](#).
- Set the VOUT bit in the [STATUS_WORD](#).
- Set the VOUT_MIN_MAX warning bit in [STATUS_VOUT](#).
- Notify the host per PMBus 1.3.1 Part II specification, section 10.2.

Although the scenario is uncommon, note that the same response results if the user attempted to program [VOUT_MAX](#) less than the current output voltage target.

7.22 (25h) VOUT_MARGIN_HIGH

| | |
|--------------------|--|
| CMD Address | 25h |
| Write Transaction: | Write Word |
| Read Transaction: | Read Word |
| Format: | ULINEAR16, per VOUT_MODE |
| Phased: | No |
| NVM Back-up: | EEPROM |
| Updates: | On-the-fly |

The [VOUT_MARGIN_HIGH](#) command loads the unit with the voltage to which the output is to be changed when the [OPERATION](#) command is set to “Margin High”. Output voltage transitions during margin operation occur at the slew rate defined by [VOUT_TRANSITION_RATE](#).

When the MARGIN bits in the [OPERATION](#) command indicate “Margin High,” the output voltage is updated to the value of [VOUT_MARGIN_HIGH](#) + [VOUT_TRIM](#).

Figure 7-21. (25h) VOUT_MARGIN_HIGH Register Map

| | | | | | | | |
|------------------------|----|----|----|----|----|----|----|
| 15 | 14 | 13 | 12 | 11 | 10 | 9 | 8 |
| RW | RW | RW | RW | RW | RW | RW | RW |
| VOUT_MARGH (High Byte) | | | | | | | |
| 7 | 6 | 5 | 4 | 3 | 2 | 1 | 0 |
| RW | RW | RW | RW | RW | RW | RW | RW |
| VOUT_MARGH (Low Byte) | | | | | | | |

LEGEND: R/W = Read/Write; R = Read only

Table 7-18. Register Field Descriptions

| Bit | Field | Access | Reset | Description |
|------|------------|--------|-------|---|
| 15:0 | VOUT_MARGH | RW | NVM | Margin High output voltage. ULINEAR16 relative or absolute per the setting of VOUT_MODE |

The minimum and maximum valid data values for [VOUT_MARGIN_HIGH](#) follow the description in [VOUT_COMMAND](#). That is, the total combined output voltage, including [VOUT_MARGIN_HIGH](#) and [VOUT_TRIM](#), follow the values allowed by the current [VOUT_MAX](#) setting.

Attempts to write (25h) [VOUT_MARGIN_HIGH](#) to any value outside those specified as valid will be considered invalid/unsupported data and cause the TPSM8S6B24S to respond by flagging the appropriate status bits and notifying the host according to the PMBus 1.3.1 Part II specification section 10.9.3.

7.23 (26h) VOUT_MARGIN_LOW

| | |
|--------------------|--|
| CMD Address | 26h |
| Write Transaction: | Write Word |
| Read Transaction: | Read Word |
| Format: | ULINEAR16, per VOUT_MODE |
| Phased: | No |
| NVM Back-up: | EEPROM |

The [VOUT_MARGIN_LOW](#) command loads the unit with the voltage to which the output is to be changed when the [OPERATION](#) command is set to “Margin Low”. Output voltage transitions during margin operation occur at the slew rate defined by [VOUT_TRANSITION_RATE](#).

When the MARGIN bits in the [OPERATION](#) command indicate “Margin Low,” the output voltage is updated to the value of [VOUT_MARGIN_LOW](#) + [VOUT_TRIM](#).

Figure 7-22. (26h) VOUT_MARGIN_LOW Register Map

| | | | | | | | |
|-----------------------------|----|----|----|----|----|----|----|
| 15 | 14 | 13 | 12 | 11 | 10 | 9 | 8 |
| RW | RW | RW | RW | RW | RW | RW | RW |
| VOUT_MARGIN_LOW (High Byte) | | | | | | | |
| 7 | 6 | 5 | 4 | 3 | 2 | 1 | 0 |
| RW | RW | RW | RW | RW | RW | RW | RW |
| VOUT_MARGIN_LOW (Low Byte) | | | | | | | |

LEGEND: R/W = Read/Write; R = Read only

Table 7-19. Register Field Descriptions

| Bit | Field | Access | Reset | Description |
|------|------------|--------|-------|--|
| 15:0 | VOUT_MARGL | RW | NVM | Margin Low output voltage. ULINEAR16 relative or absolute per the setting of VOUT_MODE |

The minimum and maximum valid data values for [VOUT_MARGIN_LOW](#) follow the description in [VOUT_COMMAND](#). Attempts to write (26h) [VOUT_MARGIN_LOW](#) to any value outside those specified as valid will be considered invalid/unsupported data and cause the TPSM8S6B24S to respond by flagging the appropriate status bits and notifying the host according to the PMBus 1.3.1 Part II specification section 10.9.3.

7.24 (27h) VOUT_TRANSITION_RATE

| | |
|--------------------|--|
| CMD Address | 27h |
| Write Transaction: | Write Word |
| Read Transaction: | Read Word |
| Format: | SLINEAR11 per CAPABILITY |
| Phased: | No |
| NVM Back-up: | EEPROM |
| Updates: | On-the-fly |

The [VOUT_TRANSITION_RATE](#) sets the slew rate at which any output voltage changes during normal power conversion occur. This commanded rate of change does not apply when the unit is commanded to turn on or to turn off. The units are mV/μs.

Figure 7-23. (27h) VOUT_TRANSITION_RATE Register Map

| | | | | | | | |
|----------|----|----|----|----|----------|----|----|
| 15 | 14 | 13 | 12 | 11 | 10 | 9 | 8 |
| RW | RW | RW | RW | RW | RW | RW | RW |
| VOTR_EXP | | | | | VOTR_MAN | | |
| 7 | 6 | 5 | 4 | 3 | 2 | 1 | 0 |
| RW | RW | RW | RW | RW | RW | RW | RW |
| VOTR_MAN | | | | | | | |

LEGEND: R/W = Read/Write; R = Read only

Table 7-20. Register Field Descriptions

| Bit | Field | Access | Reset | Description |
|-------|----------|--------|--------|--|
| 15:11 | VOTR_EXP | RW | 11100b | Linear format two's complement exponent. Exponent = -4, LSB = 0.0625 mV/μs |
| 10:0 | VOTR_MAN | RW | NVM | Linear format two's complement mantissa |

Per the TPSM8S6B24S product specification, the following slew rates are supported (see the table below). Note that every binary value between the minimum and maximum values is writeable and readable, but that the actual output voltage slew rate is set to the nearest supported value.

VOUT_TRANSITION RATE can be programmed from 0.067 mV/μs to 15.933 mV/μs.

Attempts to write [\(27h\) VOUT_TRANSITION_RATE](#) to any value outside those specified as valid will be considered invalid/unsupported data and cause the TPSM8S6B24S to respond by flagging the appropriate status bits and notifying the host according to the PMBus 1.3.1 Part II specification section 10.9.3.

7.25 (29h) VOUT_SCALE_LOOP

| | |
|--------------------|---|
| CMD Address | 29h |
| Write Transaction: | Write Word |
| Read Transaction: | Read Word |
| Format: | SLINEAR11 per CAPABILITY |
| Phased: | No |
| Updates: | Conversion Disable: on-the-fly. Conversion Enable: hardware update blocked. To update hardware after write while enabled, store to NVM with STORE_USER_ALL and RESTORE_USER_ALL or cycle AVIN below UVLO. |
| NVM Back-up: | EEPROM or Pin Detection |

VOUT_SCALE_LOOP allows PMBus devices to map between the commanded voltage and the voltage at the control circuit input. In the TPSM8S6B24S, VOUT_SCALE_LOOP also programs an internal precision resistor divider so no external divider is required.

Figure 7-24. (29h) VOUT_SCALE_LOOP Register Map

| | | | | | | | |
|----------|----|----|----|----------|----|----|----|
| 15 | 14 | 13 | 12 | 11 | 10 | 9 | 8 |
| RW | RW | RW | RW | RW | RW | RW | RW |
| VOSL_EXP | | | | VOSL_MAN | | | |
| 7 | 6 | 5 | 4 | 3 | 2 | 1 | 0 |
| RW | RW | RW | RW | RW | RW | RW | RW |
| VOSL_MAN | | | | | | | |

LEGEND: R/W = Read/Write; R = Read only

Table 7-21. Register Field Descriptions

| Bit | Field | Access | Reset | Description |
|-------|----------|--------|--------|---|
| 15:11 | VOSL_EXP | RW | 11001b | Linear format two's complement exponent |
| 10:0 | VOSL_MAN | RW | NVM | Linear format two's complement mantissa |

Data Validity

Every binary value between the minimum and maximum supported values is writeable and readable. However, not every combination is supported in hardware. Refer to [Table 7-22](#):

Table 7-22. Accepted Values

| VOUT_SCALE_LOOP (DECODED) | INTERNAL DIVIDER SCALING FACTOR |
|---------------------------------|---------------------------------|
| Less than or equal to 0.125 | 0.125 |
| $0.125 < \text{VOSL} \leq 0.25$ | 0.25 |
| $0.25 < \text{VOSL} \leq 0.5$ | 0.5 |
| Greater than 0.5 | 1.0 |

Attempts to write [\(29h\) VOUT_SCALE_LOOP](#) to any value outside those specified as valid will be considered invalid/unsupported data and cause the TPSM8S6B24S to respond by flagging the appropriate status bits and notifying the host according to the PMBus 1.3.1 Part II specification section 10.9.3.

If a [\(29h\) VOUT_SCALE_LOOP](#) value other than a supported Internal Divider Scaling Factor is programmed into [\(29h\) VOUT_SCALE_LOOP](#), [\(21h\) VOUT_COMMAND](#) to VREF scale factors are calculated based on the actual [\(29h\) VOUT_SCALE_LOOP](#) value. [\(29h\) VOUT_SCALE_LOOP](#) values other than supported Internal Divider Scaling Factors can produce a mismatch between [\(21h\) VOUT_COMMAND](#) and the actual commanded output voltage.

7.26 (2Bh) VOUT_MIN

| | |
|--------------------|--|
| CMD Address | 2Bh |
| Write Transaction: | Write Word |
| Read Transaction: | Read Word |
| Format: | ULINEAR16, Absolute Only per VOUT_MODE |
| Phased: | No |
| Updates: | on-the-fly |
| NVM Back-up: | EEPROM or Pin Detection |

The [VOUT_MIN](#) command sets a lower limit on the output voltage the unit can command regardless of any other commands or combinations. The intent of this command is to provide a safeguard against a user accidentally setting the output voltage to a level which will render the load inoperable.

Figure 7-25. (2Bh) VOUT_MIN Register Map

| | | | | | | | |
|----------------------|----|----|----|----|----|----|----|
| 15 | 14 | 13 | 12 | 11 | 10 | 9 | 8 |
| RW | RW | RW | RW | RW | RW | RW | RW |
| VOUT_MIN (High Byte) | | | | | | | |
| 7 | 6 | 5 | 4 | 3 | 2 | 1 | 0 |
| RW | RW | RW | RW | RW | RW | RW | RW |
| VOUT_MIN (Low Byte) | | | | | | | |

LEGEND: R/W = Read/Write; R = Read only

Table 7-23. Register Field Descriptions

| Bit | Field | Access | Reset | Description |
|------|----------|--------|-------|---|
| 15:0 | VOUT_MIN | RW | NVM | Minimum output voltage. ULINEAR16 absolute per the setting of VOUT_MODE . |

During power conversion, any output voltage change (including [VOUT_COMMAND](#), [VOUT_TRIM](#), margin operations) that causes the new target voltage to be less than the current value of [VOUT_MIN](#) will cause the [VOUT_MAX_MIN_WARNING](#) fault condition. These results cause the TPSM8S6B24S to:

- Set to the output voltage to current value of [VOUT_MIN](#) at the slew rate defined by [VOUT_TRANSITION_RATE](#).
- Set the NONE OF THE ABOVE in the [STATUS_BYTE](#).
- Set the VOUT bit in the [STATUS_WORD](#).
- Set the VOUT_MIN_MAX warning bit in [STATUS_VOUT](#).
- Notify the host per PMBus 1.3.1 Part II specification, section 10.2.

Although the scenario is uncommon, note that the same response results if the user attempted to program [VOUT_MAX](#) greater than the current output voltage target.

Data Validity

The minimum and maximum valid data values for [VOUT_MIN](#) follow those of [VOUT_MAX](#). Attempts to write (2Bh) [VOUT_MIN](#) to any value outside those specified as valid will be considered invalid/unsupported data and cause the TPSM8S6B24S to respond by flagging the appropriate status bits and notifying the host according to the PMBus 1.3.1 Part II specification section 10.9.3.

7.27 (33h) FREQUENCY_SWITCH

| | |
|--------------------|---|
| CMD Address | 33h |
| Write Transaction: | Write Word |
| Read Transaction: | Read Word |
| Format: | SLINEAR11, per CAPABILITY |
| Phased: | No |
| Updates: | Conversion Disable: on-the-fly. Conversion Enable: hardware update blocked. To update hardware after write while enabled, store to NVM with STORE_USER_ALL and RESTORE_USER_ALL or cycle AVIN below UVLO. |
| NVM Back-up: | EEPROM or Pin Detection |

FREQUENCY_SWITCH sets the switching frequency of the active channel in kHz.

Figure 7-26. (33h) FREQUENCY_SWITCH Register Map

| | | | | | | | |
|---------|----|----|----|---------|----|----|----|
| 15 | 14 | 13 | 12 | 11 | 10 | 9 | 8 |
| RW | RW | RW | RW | RW | RW | RW | RW |
| FSW_EXP | | | | FSW_MAN | | | |
| 7 | 6 | 5 | 4 | 3 | 2 | 1 | 0 |
| RW | RW | RW | RW | RW | RW | RW | RW |
| FSW_MAN | | | | | | | |

LEGEND: R/W = Read/Write; R = Read only

Table 7-24. Register Field Descriptions

| Bit | Field | Access | Reset | Description |
|-------|---------|--------|-------|--|
| 15:11 | FSW_EXP | RW | NVM | Linear format two's complement exponent On reset, FSW_EXP is auto-generated based on the switching frequency stored in NVM. |
| 10:0 | FSW_MAN | RW | NVM | Linear format two's complement mantissa. Refer to Table 7-25 . |

Table 7-25. Supported Switching Frequency Settings

| FREQUENCY_SWITCH (Decoded) | Effective Switching Frequency (kHz) |
|-----------------------------------|-------------------------------------|
| Less than 250 kHz | 225 |
| $251 \leq \text{FSW} < 300$ kHz | 275 |
| $301 \leq \text{FSW} < 350$ kHz | 325 |
| $351 \leq \text{FSW} < 410$ kHz | 375 |
| $411 \leq \text{FSW} < 500$ kHz | 450 |
| $501 \leq \text{FSW} < 600$ kHz | 550 |
| $601 \leq \text{FSW} < 700$ kHz | 650 |
| $701 \leq \text{FSW} < 820$ kHz | 750 |
| $821 \leq \text{FSW} < 1000$ kHz | 900 |
| $1001 \leq \text{FSW} < 1200$ kHz | 1100 |
| $1201 \leq \text{FSW} < 1400$ kHz | 1300 |
| $1401 \leq \text{FSW} < 1650$ kHz | 1500 |

FREQUENCY_SWITCH values greater than 1100 kHz can require higher VDD5 current than can be provided by the internal AVIN to VDD5 linear regulator. Programming FREQUENCY_SWITCH to a value greater than 1100 kHz without an external source to VDD5 can result in repeated start-up and shut-down attempt. FREQUENCY_SWITCH values greater than 1100 kHz are not recommended for Stacked Multi-phase operation.

7.28 (35h) VIN_ON

| | |
|--------------------|---|
| CMD Address | 35h |
| Write Transaction: | Write Word |
| Read Transaction: | Read Word |
| Format: | SLINEAR11, per CAPABILITY |
| Phased: | No |
| NVM Back-up: | EEPROM |
| Updates: | On-the-fly |

VIN_ON command sets the value of the input voltage, in Volts, at which the unit must start power conversion.

Figure 7-27. (35h) VIN_ON Register Map

| | | | | | | | |
|---------|----|----|----|----|---------|----|----|
| 15 | 14 | 13 | 12 | 11 | 10 | 9 | 8 |
| RW | RW | RW | RW | RW | RW | RW | RW |
| VON_EXP | | | | | VON_MAN | | |
| 7 | 6 | 5 | 4 | 3 | 2 | 1 | 0 |
| RW | RW | RW | RW | RW | RW | RW | RW |
| VON_MAN | | | | | | | |

LEGEND: R/W = Read/Write; R = Read only

Table 7-26. Register Field Descriptions

| Bit | Field | Access | Reset | Description |
|-------|---------|--------|--------|--|
| 15:11 | VON_EXP | RW | 11110b | Linear format two's complement exponent, -2 |
| 10:0 | VON_MAN | RW | NVM | Linear format two's complement mantissa. Refer to the following text for more information. |

Attempts to write [\(35h\) VIN_ON](#) to any value outside those specified as valid will be considered invalid/unsupported data and cause the TPSM8S6B24S to respond by flagging the appropriate status bits and notifying the host according to the PMBus 1.3.1 Part II specification section 10.9.3.

Command Resolution and NVM Store/Restore Behavior

[\(35h\) VIN_ON](#) and [\(36h\) VIN_OFF](#) have limited hardware range and resolution as well as limited NVM allocation. While the command will accept any binary value within the valid range, values not exactly represented by the hardware resolution will be rounded down to the next lower supported threshold for implementation or upon restore from NVM during Power-On Reset or [\(16h\) RESTORE_USER_ALL](#). [\(35h\) VIN_ON](#) hardware supports all values from 2.50 V to 18.25 in 0.25-V steps.

Note that the LOW_VIN fault condition is masked until the sensed input voltage exceeds the [VIN_ON](#) threshold for the first time following a power-on reset. Control/Enable pin toggles and EEPROM store/restore operations do not reset this masking.

7.29 (36h) VIN_OFF

| | |
|--------------------|---|
| CMD Address | 36h |
| Write Transaction: | Write Word |
| Read Transaction: | Read Word |
| Format: | SLINEAR11, per CAPABILITY |
| Phased: | No |
| NVM Back-up: | EEPROM |
| Updates: | On-the-fly |

(36h) [VIN_OFF](#) command sets the value of the PVIN input voltage, in Volts, at which the unit must stop power conversion. If the Power Conversion Enable conditions as defined by (02h) [ON_OFF_CONFIG](#) are met and PVIN is less than (36h) [VIN_OFF](#), the output off due to low VIN bit in (7Ch) [STATUS_INPUT](#) is set.

Figure 7-28. (36h) VIN_OFF Register Map

| | | | | | | | |
|----------|----|----|----|----|----------|----|----|
| 15 | 14 | 13 | 12 | 11 | 10 | 9 | 8 |
| RW | RW | RW | RW | R | RW | RW | RW |
| VOFF_EXP | | | | | VOFF_MAN | | |
| 7 | 6 | 5 | 4 | 3 | 2 | 1 | 0 |
| RW | RW | RW | RW | RW | RW | RW | RW |
| VOFF_MAN | | | | | | | |

LEGEND: R/W = Read/Write; R = Read only

Table 7-27. Register Field Descriptions

| Bit | Field | Access | Reset | Description |
|-------|----------|--------|--------|---|
| 15:11 | VOFF_EXP | RW | 11110b | Linear format two's complement exponent |
| 10:0 | VOFF_MAN | RW | NVM | Linear format two's complement mantissa. Refer to the following text. |

Attempts to write (36h) [VIN_OFF](#) to any value outside those specified as valid will be considered invalid/unsupported data and cause the TPSM8S6B24S to respond by flagging the appropriate status bits and notifying the host according to the PMBus 1.3.1 Part II specification section 10.9.3.

Command Resolution and NVM Store/Restore Behavior

(35h) [VIN_ON](#) and (36h) [VIN_OFF](#) have limited hardware range and resolution as well as limited NVM allocation. While the command will accept any binary value within the valid range, values not exactly represented by the hardware resolution will be rounded down to the next lower supported threshold for implementation or upon restoration from NVM during Power-On Reset or (16h) [RESTORE_USER_ALL](#). (36h) [VIN_OFF](#) hardware supports all values from 2.25 V to 18.25 in 0.25-V steps.

While it is possible to set (36h) [VIN_OFF](#) equal to or greater than (35h) [VIN_ON](#), it is not advisable and can produce rapid enabling and disabling of conversion and undesirable operation.

7.30 (37h) INTERLEAVE

| | |
|--------------------|------------------------------------|
| CMD Address | 37h |
| Write Transaction: | Write Word (Single Phase Only) |
| Read Transaction: | Read Word |
| Format: | Four Hexadecimal values |
| Phased: | No, Read only in Multi-phase stack |
| Updates: | On-th-fly |
| NVM Back-up: | EEPROM or Pin Detection |

INTERLEAVE sets the phase delay between the external SYNC (IN or OUT) and the internal PMW oscillator.

Figure 7-29. (37h) INTERLEAVE Register Map

| | | | | | | | |
|-----------|----|----|----|---------|----|----|----|
| 15 | 14 | 13 | 12 | 11 | 10 | 9 | 8 |
| R | R | R | R | RW | RW | RW | RW |
| Not Used | | | | GROUPID | | | |
| 7 | 6 | 5 | 4 | 3 | 2 | 1 | 0 |
| RW | RW | RW | RW | RW | RW | RW | RW |
| NUM_GROUP | | | | ORDER | | | |

LEGEND: R/W = Read/Write; R = Read only

Table 7-28. Register Field Descriptions

| Bit | Field | Access | Reset | Description |
|-------|---------------|--------|-------|---|
| 15:12 | Not Used | R | 0h | Not used, set to b'0000. |
| 11:8 | GROUPID | RW | NVM | Group ID Number. Set to 0h to Fh. |
| 7:4 | NUM_GRO UP | RW | NVM | Number in Group, sets the number of phases positions and the phase shift for each value of ORDER. Set to value 1h to 4h. |
| 3:0 | ORDER | RW | NVM | Order within the group. Each value of ORDER adds a phase shift equal to $360^\circ / \text{NUM_GROUP}$. Set to value 0h to NUM_GROUP - 1. |

Table 7-29. Supported INTERLEAVE Settings

| Number in Group | Order | Phase Position (°) |
|-----------------|-------|--------------------|
| 1 | 0 | 0 |
| 2 | 0 | 0 |
| 2 | 1 | 180 |
| 3 | 0 | 0 |
| 3 | 1 | 120 |
| 3 | 2 | 240 |
| 4 | 0 | 0 |
| 4 | 1 | 90 |
| 4 | 2 | 180 |
| 4 | 3 | 270 |

The (37h) INTERLEAVE command is used to arrange multiple devices sharing a common SYNC signal in time. The phase delay added to each device is equal to $360^\circ / \text{Number in Group} \times \text{Order}$. To prevent misaligning the phases of a multi-phase stack, (37h) INTERLEAVE is read only when the TPSM8S6B24S is configured as part of a multi-phase stack. The Read/Write status of the (37h) INTERLEAVE command is set based on the state of the (Ech) MFR_SPECIFIC_28 (STACK_CONFIG) command at power-on and is not updated if (ECh) MFR_SPECIFIC_28 (STACK_CONFIG) is later changed. If (37h) INTERLEAVE will be used to program the

phase position of a stand-alone device, the TPSM8S6B24S must be configured as a stand-alone device at power-on to ensure write capability of the (37h) [INTERLEAVE](#) command.

7.31 (38h) IOUT_CAL_GAIN

| | |
|--------------------|---|
| CMD Address | 38h |
| Write Transaction: | Write Word |
| Read Transaction: | Read Word |
| Format: | SLINEAR11, per CAPABILITY |
| Phased: | No |
| NVM Back-up: | EEPROM |
| Updates: | On-the-fly |

(38h) [IOUT_CAL_GAIN](#) is used to trim the gain of the output current reported by the [READ_IOUT](#) command. The value is a unitless gain factor applied to the internally sensed current measurement. It defaults to a value of 1.

Figure 7-30. (38h) IOUT_CAL_GAIN Register Map

| | | | | | | | |
|----------|----|----|----|----|----------|----|----|
| 15 | 14 | 13 | 12 | 11 | 10 | 9 | 8 |
| RW | RW | RW | RW | RW | RW | RW | RW |
| IOCG_EXP | | | | | IOCG_MAN | | |
| 7 | 6 | 5 | 4 | 3 | 2 | 1 | 0 |
| RW | RW | RW | RW | RW | RW | RW | RW |
| IOCG_MAN | | | | | | | |

LEGEND: R/W = Read/Write; R = Read only

Table 7-30. Register Field Descriptions

| Bit | Field | Access | Reset | Description |
|-------|----------|--------|--------|--|
| 15:11 | IOCG_EXP | RW | 11001b | Linear format, two's complement exponent |
| 10:0 | IOCG_MAN | RW | NVM | Linear format, two's complement mantissa |

Attempts to write (38h) [IOUT_CAL_GAIN](#) to any value outside those specified as valid will be considered invalid/unsupported data and cause the TPSM8S6B24S to respond by flagging the appropriate status bits and notifying the host according to the PMBus 1.3.1 Part II specification section 10.9.3.

Command Resolution and NVM Store/Restore Behavior

The (38h) [IOUT_CAL_GAIN](#) command is implemented using the TPSM8S6B24S internal telemetry system. As a result, the value of this command can be programmed with very high resolution using the linear format. However, the TPSM8S6B24S provides only limited NVM-backed options for this command. Following a power-cycle or NVM Store/Restore operation, the value will be rounded to the nearest 1/64 with a maximum supported value of 1.984 (1 63/64).

7.32 (39h) IOUT_CAL_OFFSET

| | |
|--------------------|---|
| CMD Address | 39h |
| Write Transaction: | Write Word |
| Read Transaction: | Read Word |
| Format: | SLINEAR11, per CAPABILITY |
| Phased: | Yes |
| NVM Back-up: | EEPROM |
| Updates: | On-the-fly |

IOUT_CAL_OFFSET is used to compensate for offset errors in the [READ_IOUT](#) command. Each [PHASE](#) in a stack can apply an independent IOUT_CAL_OFFSET value. The effective IOUT_CAL_OFFSET value for a stack is equal to the sum of the IOUT_CAL_OFFSET values from all devices in the stack.

Figure 7-31. (39h) IOUT_CAL_OFFSET Register Map

| | | | | | | | |
|-----------|----|----|----|----|-----------|----|----|
| 15 | 14 | 13 | 12 | 11 | 10 | 9 | 8 |
| RW | RW | RW | RW | RW | RW | RW | RW |
| IOCOS_EXP | | | | | IOCOS_MAN | | |
| 7 | 6 | 5 | 4 | 3 | 2 | 1 | 0 |
| RW | RW | RW | RW | RW | RW | RW | RW |
| IOCOS_MAN | | | | | | | |

LEGEND: R/W = Read/Write; R = Read only

Table 7-31. Register Field Descriptions

| Bit | Field | Access | Reset | Description |
|-------|-----------|--------|--------|--|
| 15:11 | IOCOS_EXP | RW | 11100b | Linear format, two's complement exponent |
| 10:0 | IOCOS_MAN | RW | NVM | Linear format, two's complement mantissa |

Attempts to write [\(39h\) IOUT_CAL_OFFSET](#) to any value outside those specified as valid will be considered invalid/unsupported data and cause the TPSM8S6B24S to respond by flagging the appropriate status bits and notifying the host according to the PMBus 1.3.1 Part II specification section 10.9.3.

Command Resolution and NVM Store/Restore Behavior

The [\(39h\) IOUT_CAL_OFFSET](#) command is implemented using the TPSM8S6B24S internal telemetry system. As a result, the value of this command can be programmed with very high resolution using the linear format. However, the only provides limited NVM-backed options for this command. Following a power-cycle or NVM Store/Restore operation, the value will be restored to one of the supported values, according to the value present during the last NVM store operation. During operation, updates to this command with higher resolution, will be supported, and accepted as long as they fall between the minimum and maximum supported values given.

Phased Command Behavior

PHASE = 00h to 03h: Writes to [\(39h\) IOUT_CAL_OFFSET](#) modify the current sense offset for individual phases. Reads to [\(39h\) IOUT_CAL_OFFSET](#) return the configured current sense offset for individual phases.

PHASE = FFh: Writes to [\(39h\) IOUT_CAL_OFFSET](#) modify the total current sense offset for all individual phases. Individual phases will be assigned an IOUT_CAL_OFFSET value equal to the written value divided by the number of phases. Reads to [\(39h\) IOUT_CAL_OFFSET](#) return the configured current sense offset for [PHASE](#) = 00h times the number of phases.

7.33 (40h) VOUT_OV_FAULT_LIMIT

| | |
|--------------------|--|
| CMD Address | 40h |
| Write Transaction: | Write Word |
| Read Transaction: | Read Word |
| Format: | ULINEAR16 Relative or Absolute per VOUT_MODE |
| Phased: | No |
| NVM Back-up: | EEPROM |
| Updates: | On-the-fly |

The [VOUT_OV_FAULT_LIMIT](#) command sets the value of the output voltage measured at the sense or output pins that causes an output overvoltage fault. [VOUT_OV_FAULT_LIMIT](#) sets an overvoltage threshold relative to the current [VOUT_COMMAND](#). Updates to [VOUT_COMMAND](#) do not update the value of [VOUT_OV_FAULT_LIMIT](#) when the absolute format is used. Note that even with [VOUT_MODE](#) configured in absolute format, the true overvoltage fault limit remains relative to the current [VOUT_COMMAND](#). [VOUT_OV_FAULT_LIMIT](#) is active as soon as the TPSM8S6B24S completes its Power-On Reset, even if output conversion is disabled.

Following an overvoltage fault condition, the TPSM8S6B24S responds according to [VOUT_OV_FAULT_RESPONSE](#).

Figure 7-32. (40h) VOUT_OV_FAULT_LIMIT Register Map

| | | | | | | | |
|----------------------|----|----|----|----|----|----|----|
| 15 | 14 | 13 | 12 | 11 | 10 | 9 | 8 |
| RW | RW | RW | RW | RW | RW | RW | RW |
| VOUT_OVF (High Byte) | | | | | | | |
| 7 | 6 | 5 | 4 | 3 | 2 | 1 | 0 |
| RW | RW | RW | RW | RW | RW | RW | RW |
| VOUT_OVF (Low Byte) | | | | | | | |

LEGEND: R/W = Read/Write; R = Read only

Table 7-32. Register Field Descriptions

| Bit | Field | Access | Reset | Description |
|------|----------|--------|-----------|---|
| 15:0 | VOUT_OVF | RW | See Below | Sets the overvoltage fault limit. Format is per VOUT_MODE . |

Hardware Support and Value Mapping

The Hardware for [VOUT_OV_FAULT_LIMIT](#) is implemented as a fixed percentage of the current output voltage target. Depending on the [VOUT_MODE](#) setting, the value written to [VOUT_OV_FAULT_LIMIT](#) must be mapped to the hardware percentage.

Programmed values not exactly equal to one of the hardware relative values shall be rounded up to the next available relative value supported by hardware. The hardware supports values from 105% to 140% of [VOUT_COMMAND](#) in 2.5% steps. When output conversion is disabled, the hardware supports values from 110% to 140% of [VOUT_COMMAND](#) in 10% steps.

Attempts to write [VOUT_OV_FAULT_LIMIT](#) to any value outside those specified as valid will be considered invalid/unsupported data and cause the TPSM8S6B24S to respond by flagging the appropriate status bits and notifying the host according to the PMBus 1.3.1 Part II specification section 10.9.3.

7.34 (41h) VOUT_OV_FAULT_RESPONSE

| | |
|--------------------|--------------------------|
| CMD Address | 41h |
| Write Transaction: | Write Byte |
| Read Transaction: | Read Byte |
| Format: | Unsigned Binary (1 byte) |
| Phased: | No |
| NVM Back-up: | EEPROM |
| Updates: | On-the-fly |

The [VOUT_OV_FAULT_RESPONSE](#) instructs the device on what action to take in response to an output overvoltage fault. Upon triggering the overvoltage fault, the controller TPSM8S6B24S responds according to the data byte below, and the following actions are taken:

- Set the VOUT_OV_FAULT bit in the [STATUS_BYTE](#).
- Set the VOUT bit in the [STATUS_WORD](#).
- Set the VOUT_OVF bit in the [STATUS_VOUT](#) register.
- Notify the host per PMBus 1.3.1 Part II specification, section 10.2.

Figure 7-33. (41h) VOUT_OV_FAULT_RESPONSE Register Map

| | | | | | | | |
|------------|----|-------------|----|----|-------------|----|----|
| 7 | 6 | 5 | 4 | 3 | 2 | 1 | 0 |
| RW | RW | RW | RW | RW | RW | RW | RW |
| VO_OV_RESP | | VO_OV_RETRY | | | VO_OV_DELAY | | |

LEGEND: R/W = Read/Write; R = Read only

Table 7-33. Register Field Descriptions

| Bit | Field | Access | Reset | Description |
|-----|-------------|--------|-------|--|
| 7:6 | VO_OV_RESP | RW | NVM | Output overvoltage response 00b: Ignore. Continue operating without interruption. 01b: Shutdown. Shutdown and retry according to VO_OV_RETRY. 10b: Shutdown. Shutdown and retry according to VO_OV_RETRY. 11b: Invalid/Unsupported |
| 5:3 | VO_OV_RETRY | RW | NVM | 0d: Do not attempt to restart (latch off). 1d-6d: After shutting down, wait one HICCUP period, and attempt to restart up to 1 - 6 times. After 1 - 6 failed restart attempts, do not attempt to restart (latch off). 7d: After shutting down, wait one HICCUP period, and attempt to restart indefinitely, until commanded OFF, or a successful start-up occurs. |
| 2:0 | VO_OV_DELAY | RW | NVM | 0d: VO_OV HICCUP period is equal to TON_RISE. 1d - 7d: VO_OV HICCUP period is equal to 1 - 7 times TON_RISE. |

Attempts to write [VOUT_OV_FAULT_RESPONSE](#) to any value outside those specified as valid, will be considered invalid/unsupported data and cause the TPSM8S6B24S to respond by flagging the appropriate status bits and notifying the host according to the PMBus 1.3.1 Part II specification section 10.9.3.

A Restart Attempt is successful and the restart limit counter is reset to 0 when no fault with a shut-down response is observed after one (61h) [TON_RISE](#) time after completing (61h) [TON_RISE](#) or after (62h) [TON_MAX_FAULT_LIMIT](#) if (62h) [TON_MAX_FAULT_LIMIT](#) is not set to 0 ms (Disabled).

If (41h) [VOUT_OV_FAULT_RESPONSE](#) is configured to ignore a VOUT_OV_FAULT, and a VOUT_OV_FAULT is present at the time of enabling the device, the device will not start up. To ensure the part will ignore any potential VOUT_OV_FAULT at start-up, TI recommends to set the (40h) [VOUT_OV_FAULT_LIMIT](#) greater than the maximum possible input voltage applied during start-up.

7.35 (42h) VOUT_OV_WARN_LIMIT

| | |
|--------------------|--|
| CMD Address | 42h |
| Write Transaction: | Write Word |
| Read Transaction: | Read Word |
| Format: | ULINEAR16 Relative or Absolute per VOUT_MODE |
| Phased: | No |
| NVM Back-up: | EEPROM |
| Updates: | On-the-fly |

The [VOUT_OV_WARN_LIMIT](#) command sets the value of the output voltage at the sense or output pins that causes an output voltage high warning. This value is typically less than the output overvoltage threshold. The [OV_WARN_LIMIT](#) sets an overvoltage threshold relative to the current [VOUT_COMMAND](#). Updates to [VOUT_COMMAND](#) do not update the value of [VOUT_OV_FAULT_LIMIT](#) when the absolute format is used.

When the sensed output voltage exceeds the [VOUT_OV_WARN_LIMIT](#) threshold, the following actions are taken:

- Set the VOUT bit in the [STATUS_WORD](#).
- Set the VOUT_OVW bit in the [STATUS_VOUT](#) register.
- Notify the host per PMBus 1.3.1 Part II specification, section 10.2.

Figure 7-34. (42h) VOUT_OV_WARN_LIMIT Register Map

| | | | | | | | |
|----------------------|----|----|----|----|----|----|----|
| 15 | 14 | 13 | 12 | 11 | 10 | 9 | 8 |
| RW | RW | RW | RW | RW | RW | RW | RW |
| VOUT_OVW (High Byte) | | | | | | | |
| 7 | 6 | 5 | 4 | 3 | 2 | 1 | 0 |
| RW | RW | RW | RW | RW | RW | RW | RW |
| VOUT_OVW (Low Byte) | | | | | | | |

LEGEND: R/W = Read/Write; R = Read only

Table 7-34. Register Field Descriptions

| Bit | Field | Access | Reset | Description |
|------|----------|--------|-------|---|
| 15:0 | VOUT_OVW | RW | NVM | Sets the overvoltage warning limit. Format is per VOUT_MODE . |

Hardware Support and Value Mapping

The Hardware for [VOUT_OV_WARN_LIMIT](#) is implemented as a fixed percentage of the current output voltage target. Depending on the [VOUT_MODE](#) setting, the value written to [VOUT_OV_WARN_LIMIT](#) must be mapped to a hardware percentage.

Programmed values not exactly equal to one of the hardware relative values shall be rounded up to the next available relative value supported by hardware. The hardware supports values from 103% to 116% [VOUT_COMMAND](#) in 1% steps.

Attempts to write (42h) [VOUT_OV_WARN_LIMIT](#) to any value outside those specified as valid, will be considered invalid/unsupported data and cause the TPSM8S6B24S to respond by flagging the appropriate status bits and notifying the host according to the PMBus 1.3.1 Part II specification section 10.9.3.

7.36 (43h) VOUT_UV_WARN_LIMIT

| | |
|--------------------|--|
| CMD Address | 43h |
| Write Transaction: | Write Word |
| Read Transaction: | Read Word |
| Format: | ULINEAR16 Relative or Absolute per VOUT_MODE |
| Phased: | No |
| NVM Back-up: | EEPROM |
| Updates: | On-the-fly |

The [VOUT_UV_WARN_LIMIT](#) command sets the value of the output voltage at the sense or output pins that causes an output voltage low warning. The [VOUT_UV_WARN_LIMIT](#) sets an undervoltage threshold relative to the current [VOUT_COMMAND](#). Updates to [VOUT_COMMAND](#) do not update [VOUT_UV_WARN_LIMIT](#) when the absolute format is used.

When the sensed output voltage exceeds the [VOUT_UV_WARN_LIMIT](#) threshold, the following actions are taken:

- Set the VOUT bit in the [STATUS_WORD](#).
- Set the VOUT_UVW bit in the [STATUS_VOUT](#) register.
- Notify the host per PMBus 1.3.1 Part II specification, section 10.2.

Figure 7-35. (43h) VOUT_UV_WARN_LIMIT Register Map

| | | | | | | | |
|----------------------|----|----|----|----|----|----|----|
| 15 | 14 | 13 | 12 | 11 | 10 | 9 | 8 |
| RW | RW | RW | RW | RW | RW | RW | RW |
| VOUT_UVW (High Byte) | | | | | | | |
| 7 | 6 | 5 | 4 | 3 | 2 | 1 | 0 |
| RW | RW | RW | RW | RW | RW | RW | RW |
| VOUT_UVW (Low Byte) | | | | | | | |

LEGEND: R/W = Read/Write; R = Read only

Table 7-35. Register Field Descriptions

| Bit | Field | Access | Reset | Description |
|------|----------|--------|-------|--|
| 15:0 | VOUT_UVW | RW | NVM | Sets the undervoltage warning limit. Format is per VOUT_MODE . |

Hardware Mapping and Supported Values

The Hardware for [VOUT_UV_WARN_LIMIT](#) is implemented as a fixed percentage relative to the current output voltage target. Depending on the [VOUT_MODE](#) setting, the value written to [VOUT_UV_WARN_LIMIT](#) must be mapped to the hardware percentage.

Programmed values not exactly equal to one of the hardware relative values is rounded down to the next available relative value supported by hardware. The hardware supports values from 84% to 97% [VOUT_COMMAND](#) in 1% steps.

Attempts to write (43h) [VOUT_UV_WARN_LIMIT](#) to any value outside those specified as valid, will be considered invalid/unsupported data and cause the TPSM8S6B24S to respond by flagging the appropriate status bits and notifying the host according to the PMBus 1.3.1 Part II specification section 10.9.3.

7.37 (44h) VOUT_UV_FAULT_LIMIT

| | |
|--------------------|--|
| CMD Address | 44h |
| Write Transaction: | Write Word |
| Read Transaction: | Read Word |
| Format: | ULINEAR16 Absolute per VOUT_MODE |
| Phased: | No |
| NVM Back-up: | EEPROM |
| Updates: | On-the-fly |

The [VOUT_UV_FAULT_LIMIT](#) command sets the value of the output voltage at the sense or output pins that causes an output voltage fault. The [VOUT_UV_FAULT_LIMIT](#) sets an undervoltage threshold relative to the current [VOUT_COMMAND](#). Updates to [VOUT_COMMAND](#) do not update [VOUT_UV_FAULT_LIMIT](#) when the absolute format is used.

When the undervoltage fault condition is triggered, the TPSM8S6B24S responds according to [VOUT_UV_FAULT_RESPONSE](#).

Figure 7-36. (44h) VOUT_UV_FAULT_LIMIT Register Map

| | | | | | | | |
|----------------------|----|----|----|----|----|----|----|
| 15 | 14 | 13 | 12 | 11 | 10 | 9 | 8 |
| RW | RW | RW | RW | RW | RW | RW | RW |
| VOUT_UVF (High Byte) | | | | | | | |
| 7 | 6 | 5 | 4 | 3 | 2 | 1 | 0 |
| RW | RW | RW | RW | RW | RW | RW | RW |
| VOUT_UVF (Low Byte) | | | | | | | |

LEGEND: R/W = Read/Write; R = Read only

Table 7-36. Register Field Descriptions

| Bit | Field | Access | Reset | Description |
|------|----------|--------|-------|--|
| 15:0 | VOUT_UVW | RW | NVM | Sets the undervoltage fault limit. Format is per VOUT_MODE |

Hardware Mapping and Supported Values

The Hardware for [VOUT_UV_FAULT_LIMIT](#) is implemented as a fixed percentage relative to the current output voltage target. Depending on the [VOUT_MODE](#) setting, the value written to [VOUT_UV_FAULT_LIMIT](#) must be mapped to the hardware percentage.

Programmed values not exactly equal to one of the hardware relative values are rounded down to the next available relative value supported by hardware. The hardware supports values from 60% to 95% of [VOUT_COMMAND](#) in 2.5% steps.

Attempts to write (44h) [VOUT_UV_FAULT_LIMIT](#) to any value outside those specified as valid will be considered invalid/unsupported data and cause the TPSM8S6B24S to respond by flagging the appropriate status bits and notifying the host according to the PMBus 1.3.1 Part II specification section 10.9.3.

7.38 (45h) VOUT_UV_FAULT_RESPONSE

| | |
|--------------------|--------------------------|
| CMD Address | 45h |
| Write Transaction: | Write Byte |
| Read Transaction: | Read Byte |
| Format: | Unsigned Binary (1 byte) |
| Phased: | No |
| NVM Back-up: | EEPROM |
| Updates: | On-the-fly |

- The [VOUT_UV_FAULT_RESPONSE](#) instructs the device on what action to take in response to an output undervoltage fault.

The [VOUT_UV_FAULT_RESPONSE](#) instructs the device on what action to take in response to an output undervoltage fault. Upon triggering the overvoltage fault, the TPSM8S6B24S responds according to the data byte below, and the following actions are taken:

- Set the NONE OF THE ABOVE bit in the [STATUS_BYTE](#).
- Set the VOUT bit in the [STATUS_WORD](#).
- Set the VOUT_UVF bit in the [STATUS_VOUT](#) register.
- Notify the host per PMBus 1.3.1 Part II specification, section 10.2.

Figure 7-37. (45h) VOUT_UV_FAULT_RESPONSE Register Map

| | | | | | | | |
|------------|----|-------------|----|----|-----------|----|----|
| 7 | 6 | 5 | 4 | 3 | 2 | 1 | 0 |
| RW | RW | RW | RW | RW | RW | RW | RW |
| VO_UV_RESP | | VO_UV_RETRY | | | VO_UV_DLY | | |

LEGEND: R/W = Read/Write; R = Read only

Table 7-37. Register Field Descriptions

| Bit | Field | Access | Reset | Description |
|-----|-------------|--------|-------|--|
| 7:6 | VO_UV_RESP | RW | NVM | Output undervoltage response 00b: Ignore. Continue operating without interruption. 01b: Shutdown after Delay, as set by VO_UV_DELY 10b: Shutdown Immediately Other: Invalid/Unsupported |
| 5:3 | VO_UV_RETRY | RW | NVM | Output undervoltage retry 0d: Do not attempt to restart (latch off). 1d-6d: After shutting down, wait one HICCUP period, and attempt to restart upto 1 - 6 times. After 1 - 6 failed restart attempts, do not attempt to restart (latch off). 7d: After shutting down, wait one HICCUP period, and attempt to restart indefinitely, until commanded OFF, or a successful start-up occurs. |
| 2:0 | VO_UV_DLY | RW | NVM | Output undervoltage delay time for respond after delay and HICCUP 0d: Shutdown delay of one PWM_CLK, HICCUP equal to TON_RISE 1d: Shutdown delay of one PWM_CLK, HICCUP equal to TON_RISE 2d - 4d: Shutdown delay of three PWM_CLK, HICCUP equal to 2 - 4 times TON_RISE 5d - 7d: Shutdown delay of seven PWM_CLK, HICCUP equal to 5 - 7 times TON_RISE |

Attempts to write [\(45h\) VOUT_UV_FAULT_RESPONSE](#) to any value outside those specified as valid will be considered invalid/unsupported data and cause the TPSM8S6B24S to respond by flagging the appropriate status bits and notifying the host according to the PMBus 1.3.1 Part II specification section 10.9.3.

7.39 (46h) IOUT_OC_FAULT_LIMIT

| | |
|--------------------|--|
| CMD Address | 46h |
| Write Transaction: | Write Word |
| Read Transaction: | Read Word |
| Format: | SLINEAR11 per CAPABILITY |
| Phased: | Yes |
| NVM Back-up: | EEPROM or Pin Detection |
| Updates: | On-the-fly |

The [IOUT_OC_FAULT_LIMIT](#) command sets the value of the output current that causes the overcurrent detector to indicate an overcurrent fault condition. While each TPSM8S6B24S device in a multi-phase stack has its own IOUT_OC_FAULT_LIMIT and comparator, the effective current limit of the multi-phase stack is equal to the lowest IOUT_OC_FAULT_LIMIT setting times the number of phases in the stack.

When the overcurrent fault is triggered, the TPSM8S6B24S responds according to [IOUT_OC_FAULT_RESPONSE](#).

Figure 7-38. (46h) IOUT_OC_FAULT_LIMIT Register Map

| | | | | | | | |
|------------|----|----|----|------------|----|----|----|
| 15 | 14 | 13 | 12 | 11 | 10 | 9 | 8 |
| RW | RW | RW | RW | RW | RW | RW | RW |
| IO_OCF_EXP | | | | IO_OCF_MAN | | | |
| 7 | 6 | 5 | 4 | 3 | 2 | 1 | 0 |
| RW | RW | RW | RW | RW | RW | RW | RW |
| IO_OCF_MAN | | | | | | | |

LEGEND: R/W = Read/Write; R = Read only

Table 7-38. Register Field Descriptions

| Bit | Field | Access | Reset | Description |
|-------|------------|--------|--------|---|
| 15:11 | IO_OCF_EXP | RW | 11110b | Linear format two's complement exponent |
| 10:0 | IO_OCF_MAN | RW | NVM | Linear format two's complement mantissa. Refer to the table below. Multi-phase Stack Current Limit up to 62 A x Number of Phases (PHASE = FFh) Per Phase OCL: up to 62 A (PHASE != FFh) |

Attempts to write [\(46h\) IOUT_OC_FAULT_LIMIT](#) to any value outside those specified as valid, will be considered invalid/unsupported data and cause the TPSM8S6B24S to respond by flagging the appropriate status bits and notifying the host according to the PMBus 1.3.1 Part II specification section 10.9.3.

Command Resolution and NVM Store/Restore Behavior

The Per-PHASE (PHASE != FFh) [IOUT_OC_FAULT_LIMIT](#) is implemented in analog hardware. The analog hardware supports current limits from 8 A to 62 A in 2-A steps. Programmed values not exactly equal to hardware supported values will be rounded up to the next available supported value. Values less than 8 A per device can be written to IOUT_OC_FAULT_LIMIT, but values less than 8 A per device will be implemented as 8 A in hardware. The TPSM8S6B24S provides only limited NVM-backed options for this command. Following a power-cycle or NVM Store/Restore operation, the value will be rounded to the nearest NVM supported value. The NVM supports values up to 62 A in 0.25-A steps.

Phased Command Behavior

Write when PHASE = FFh: Set IOUT_OC_FAULT_LIMIT for each phase to the written value divided by the number of phases.

Read when PHASE = FFh: Report the IOUT_OC_FAULT_LIMIT value of PHASE = 00h (Loop Controller) times the number of phases.

Write when PHASE != FFh: Set IOUT_OC_FAULT_LIMIT for the current phase to the written value.

Read when PHASE != FFh: Report the IOUT_OC_FAULT_LIMIT value of the current phase.

7.40 (47h) IOUT_OC_FAULT_RESPONSE

| | |
|--------------------|--------------------------|
| CMD Address | 47h |
| Write Transaction: | Write Byte |
| Read Transaction: | Read Byte |
| Format: | Unsigned Binary (1 byte) |
| Phased: | No |
| NVM Back-up: | EEPROM |
| Updates: | On-the-fly |

The [IOUT_OC_FAULT_RESPONSE](#) instructs the device on what action to take in response to an overcurrent fault. Upon triggering the overcurrent fault, the TPSM8S6B24S responds according to the data byte below, and the following actions are taken:

- Set the IOUT_OC bit in the [STATUS_BYTE](#).
- Set the IOUT bit in the [STATUS_WORD](#).
- Set the IOUT_OCF bit in the [STATUS_IOUT](#) register.
- Notify the host per PMBus 1.3.1 Part II specification, section 10.2.

Figure 7-39. (47h) IOUT_OC_FAULT_RESPONSE Register Map

| | | | | | | | |
|------------|----|-------------|----|----|-------------|---|---|
| 7 | 6 | 5 | 4 | 3 | 2 | 1 | 0 |
| RW | RW | RW | RW | RW | R | R | R |
| IO_OC_RESP | | IO_OC_RETRY | | | IO_OC_DELAY | | |

LEGEND: R/W = Read/Write; R = Read only

Table 7-39. Register Field Descriptions

| Bit | Field | Access | Reset | Description |
|-----|-------------|--------|-------|---|
| 7:6 | IO_OC_RESP | RW | NVM | Output overcurrent response 00b: Ignore. Continue operating without interruption. 01b: Ignore. Continue operating without interruption. 10b: Shutdown after Delay, as set by IO_OC_DELAY 11b: Shutdown Immediately |
| 5:3 | IO_OC_RETRY | RW | NVM | Output overcurrent retry 0d: Do not attempt to restart (latch off). 1d-6d: After shutting down, wait one HICCUP period, and attempt to restart upto 1 - 6 times. After 1 - 6 failed restart attempts, do not attempt to restart (latch off). 7d: After shutting down, wait one HICCUP period, and attempt to restart indefinitely, until commanded OFF, or a successful start-up occurs. |
| 2:0 | IO_OC_DELAY | RW | NVM | Output overcurrent delay time for respond after delay and HICCUP 0d: Shutdown delay of one PWM_CLK, HICCUP equal to TON_RISE 1d: Shutdown delay of one PWM_CLK, HICCUP equal to TON_RISE 2d - 4d: Shutdown delay of three PWM_CLK, HICCUP equal to 2 - 4 times TON_RISE 5d - 7d: Shutdown delay of seven PWM_CLK, HICCUP equal to 5 - 7 times TON_RISE |

Attempts to write [\(47h\) IOUT_OC_FAULT_RESPONSE](#) to any value outside those specified as valid will be considered invalid/unsupported data and cause the TPSM8S6B24S to respond by flagging the appropriate status bits and notifying the host according to the PMBus 1.3.1 Part II specification section 10.9.3.

7.41 (4Ah) IOUT_OC_WARN_LIMIT

| | |
|--------------------|--|
| CMD Address | 4Ah |
| Write Transaction: | Write Word |
| Read Transaction: | Read Word |
| Format: | SLINEAR11 per CAPABILITY |
| Phased: | Yes |
| NVM Back-up: | EEPROM or Pin Detection |
| Updates: | On-the-fly |

The [IOUT_OC_WARN_LIMIT](#) command sets the value of the output current, in amperes, that causes the overcurrent detector to indicate an overcurrent warning condition. The units are amperes.

IOUT_OC_WARN_LIMIT is a phased command. Each phase will report an output current overcurrent warning independently.

In response to an overcurrent warning condition, the TPSM8S6B24S takes the following action:

- Set the NONE OF THE ABOVE bit in the [STATUS_BYTE](#).
- Set the IOUT bit in the [STATUS_WORD](#).
- Set the IOUT_OCW bit in the [STATUS_IOUT](#) register.
- Notify the host per PMBus 1.3.1 Part II specification, section 10.2.

Figure 7-40. (4Ah) IOUT_OC_WARN_LIMIT Register Map

| | | | | | | | |
|-----------|----|----|----|-----------|----|----|----|
| 15 | 14 | 13 | 12 | 11 | 10 | 9 | 8 |
| RW | RW | RW | RW | RW | RW | RW | RW |
| IOOCW_EXP | | | | IOOCW_MAN | | | |
| 7 | 6 | 5 | 4 | 3 | 2 | 1 | 0 |
| RW | RW | RW | RW | RW | RW | RW | RW |
| IOOCW_MAN | | | | | | | |

LEGEND: R/W = Read/Write; R = Read only

Table 7-40. Register Field Descriptions

| Bit | Field | Access | Reset | Description |
|-------|-----------|--------|--------|--|
| 15:11 | IOOCW_EXP | RW | 11110b | Linear format two's complement exponent |
| 10:0 | IOOCW_MAN | RW | NVM | Linear format two's complement mantissa Supported values up to 62 A times the number of phases. |

Attempts to write (4Ah) [IOUT_OC_WARN_LIMIT](#) to any value outside those specified as valid will be considered invalid/unsupported data and cause the TPSM8S6B24S to respond by flagging the appropriate status bits and notifying the host according to the PMBus 1.3.1 Part II specification section 10.9.3.

Command Resolution and NVM Store/Restore Behavior

The Per-PHASE (PHASE != FFh) [IOUT_OC_WARN_LIMIT](#) is implemented in analog hardware. The analog hardware supports current limits from 8 A to 62 A in 2-A steps. Programmed values not exactly equal to hardware supported values will be rounded up to the next available supported value. Values less than 8 A per device can be written to IOUT_OC_FAULT_LIMIT, but values less than 8 A per device will be implemented as 8 A in hardware. The TPSM8S6B24S provides only limited NVM-backed options for this command. Following a power-cycle or NVM Store/Restore operation, the value will be rounded to the nearest NVM supported value. The NVM supports values up to 62 A in 0.25-A steps.

7.42 (4Fh) OT_FAULT_LIMIT

| | |
|--------------------|--|
| CMD Address | 4Fh |
| Write Transaction: | Write Word |
| Read Transaction: | Read Word |
| Format: | SLINEAR11 per CAPABILITY |
| Phased: | Yes |
| NVM Back-up: | EEPROM |
| Updates: | On-the-fly |

The [OT_FAULT_LIMIT](#) command sets the value of the temperature limit, in degrees Celsius, that causes an overtemperature fault condition.

The converter response to an overtemperature event is described in [OT_FAULT_RESPONSE](#).

Figure 7-41. (4Fh) OT_FAULT_LIMIT Register Map

| | | | | | | | |
|---------|----|----|----|----|---------|----|----|
| 15 | 14 | 13 | 12 | 11 | 10 | 9 | 8 |
| RW | RW | RW | RW | RW | RW | RW | RW |
| OTF_EXP | | | | | OTF_MAN | | |
| 7 | 6 | 5 | 4 | 3 | 2 | 1 | 0 |
| RW | RW | RW | RW | RW | RW | RW | RW |
| OTF_MAN | | | | | | | |

LEGEND: R/W = Read/Write; R = Read only

Table 7-41. Register Field Descriptions

| Bit | Field | Access | Reset | Description |
|-------|---------|--------|--------|---|
| 15:11 | OTF_EXP | RW | 00000b | Linear format two's complement exponent |
| 10:0 | OTF_MAN | RW | NVM | Linear format two's complement mantissa. Refer to the following text. |

Attempts to write [\(4Fh\) OT_FAULT_LIMIT](#) to any value outside those specified as valid will be considered invalid/unsupported data and cause the TPSM8S6B24S to respond by flagging the appropriate status bits and notifying the host according to the PMBus 1.3.1 Part II specification section 10.9.3.

Command Resolution and NVM Store/Restore Behavior

The [\(4Fh\) OT_FAULT_LIMIT](#) command is implemented using the TPSM8S6B24S internal telemetry system. As a result, the value of this command can be programmed with very high resolution using the linear format. However, the TPSM8S6B24S provides only limited NVM-backed options for this command. Following a power-cycle or NVM Store/Restore operation, the value will be restored to the nearest NVM supported value. The NVM supports values from 0°C to 160°C in 1°C steps. Programming a value of 255°C will disable Programmable Overtemperature Fault Limit without disabling the on-die Bandgap thermal shutdown.

7.43 (50h) OT_FAULT_RESPONSE

| | |
|--------------------|--------------------------|
| CMD Address | 50h |
| Write Transaction: | Write Byte |
| Read Transaction: | Read Byte |
| Format: | Unsigned Binary (1 byte) |
| Phased: | No |
| NVM Back-up: | EEPROM |
| Updates: | On-the-fly |

The [OT_FAULT_RESPONSE](#) command instructs the device on what action to take in response to an Overtemperature Fault. Upon triggering the overtemperature fault, the converter responds per the data byte below, and the following actions are taken:

- Set the TEMP bit in the [STATUS_BYTE](#).
- Set the OTF bit in the [STATUS_TEMPERATURE](#) register.
- Notify the host per PMBus 1.3.1 Part II specification, section 10.2.

Note: the OT Fault hysteresis is set by the [\(51h\) OT_WARN_LIMIT](#). When [\(8Dh\) READ_TEMPERATURE_1](#) falls below [\(51h\) OT_WARN_LIMIT](#), the overtemperature fault condition will be released and restart will be allowed if selected by [\(50h\) OT_FAULT_RESPONSE](#). If [\(51h\) OT_WARN_LIMIT](#) is programmed higher than [\(4Fh\) OT_FAULT_LIMIT](#), a default hysteresis of 20°C will be used instead.

Figure 7-42. (50h) OT_FAULT_RESPONSE Register Map

| | | | | | | | |
|----------|----|----------|----|----|----------|----|----|
| 7 | 6 | 5 | 4 | 3 | 2 | 1 | 0 |
| RW | RW | RW | RW | RW | RW | RW | RW |
| OTF_RESP | | OT_RETRY | | | OT_DELAY | | |

LEGEND: R/W = Read/Write; R = Read only

Table 7-42. Register Field Descriptions

| Bit | Field | Access | Reset | Description |
|-----|----------|--------|-------|---|
| 7:6 | OTF_RESP | RW | NVM | Overtemperature fault response 00b: Ignore. Continue operating without interruption. 01b: Delayed Shutdown Continue Operating for 10ms x OT_DELAY. If OT_FAULT is still present, shut down and restart according to OT_RETRY. 10b: Immediate Shutdown. Shut down and restart according to OT_RETRY. 11b: Shutdown until Temperature is below OT_WARN_LIMIT, then restart according to OT_RETRY*. |
| 5:3 | OT_RETRY | RW | NVM | Overtemperature retry 0d: Do not attempt to restart (latch off). 1d-6d: After shutting down, wait one HICCUP period, and attempt to restart up to 1 - 6 times. After 1 - 6 failed restart attempts, do not attempt to restart (latch off). Restart attempts that occur while temperature is above OT_WARN_LIMIT will not be observable but will be counted. 7d: After shutting down, wait one HICCUP period, and attempt to restart indefinitely, until commanded OFF or a successful start-up occurs. |
| 2:0 | OT_DELAY | RW | NVM | Overtemperature delay time for respond after delay and HICCUP 0d: Shutdown delay of 10 ms, HICCUP equal to TON_RISE, HICCUP delay equal to TON_RISE 1d - 7d: Shutdown delay of ms, HICCUP equal to 2-4 times TON_RISE |

Attempts to write [\(50h\) OT_FAULT_RESPONSE](#) to any value outside those specified as valid will be considered invalid/unsupported data and cause the TPSM8S6B24S to respond by flagging the appropriate status bits and notifying the host according to the PMBus 1.3.1 Part II specification section 10.9.3.

*When (50h) [OT_FAULT_RESPONSE](#) OTF_RESP (Bits 7:6) are set to 11b - shut down until temperature is below (51h) [OT_WARN_LIMIT](#), issuing a (03h) [CLEAR_FAULTS](#) command while the temperature is between (4Fh) [OT_FAULT_LIMIT](#) and (51h) [OT_WARN_LIMIT](#) can result in the TPSM8S6B24S remaining in the OT FAULT state until the temperature rises above (4Fh) [OT_FAULT_LIMIT](#) or disabled and enabled according to (02h) [ON_OFF_CONFIG](#).

7.44 (51h) OT_WARN_LIMIT

| | |
|--------------------|--|
| CMD Address | 51h |
| Write Transaction: | Write Word |
| Read Transaction: | Read Word |
| Format: | SLINEAR11 per CAPABILITY |
| Phased: | Yes |
| NVM Back-up: | EEPROM |
| Updates: | On-the-fly |

The [OT_WARN_LIMIT](#) command sets the temperature, in degrees Celsius, of the unit at which it must indicate an Overtemperature Warning alarm. The units are degrees C.

Upon triggering the overtemperature fault, the converter responds per the data byte below, and the following actions are taken:

- Set the TEMP bit in the [STATUS_BYTE](#).
- Set the OTW bit in the [STATUS_TEMPERATURE](#) register.
- Notify the host per PMBus 1.3.1 Part II specification, section 10.2.

Figure 7-43. (51h) OT_WARN_LIMIT Register Map

| | | | | | | | |
|---------|----|----|----|---------|----|----|----|
| 15 | 14 | 13 | 12 | 11 | 10 | 9 | 8 |
| RW | RW | RW | RW | RW | RW | RW | RW |
| OTW_EXP | | | | OTW_MAN | | | |
| 7 | 6 | 5 | 4 | 3 | 2 | 1 | 0 |
| RW | RW | RW | RW | RW | RW | RW | RW |
| OTW_MAN | | | | | | | |

LEGEND: R/W = Read/Write; R = Read only

Table 7-43. Register Field Descriptions

| Bit | Field | Access | Reset | Description |
|-------|---------|--------|--------|---|
| 15:11 | OTW_EXP | RW | 00000b | Linear format two's complement exponent |
| 10:0 | OTW_MAN | RW | NVM | Linear format two's complement mantissa. Refer to the following text. |

Attempts to write [\(51h\) OT_WARN_LIMIT](#) to any value outside those specified as valid will be considered invalid/unsupported data and cause the TPSM8S6B24S to respond by flagging the appropriate status bits and notifying the host according to the PMBus 1.3.1 Part II specification section 10.9.3.

Command Resolution and NVM Store/Restore Behavior

The [\(51h\) OT_WARN_LIMIT](#) command is implemented using the TPSM8S6B24S internal telemetry system. As a result the value of this command can be programmed with very high resolution using the linear format. However, the TPSM8S6B24S provides only limited NVM-backed options for this command. Following a power-cycle or NVM Store/Restore operation, the value will be restored to the nearest NVM supported value. The NVM supports values from 0°C to 160°C in 1°C steps. Programming OT_WARN_LIMIT to a value of 255°C will disable the OT_WARN_LIMIT function.

OT_WARN_LIMIT is used to provide hysteresis to OT_FAULT_LIMIT faults. If OT_WARN_LIMIT is programmed greater than OT_FAULT_LIMIT, including disabling OT_WARN_LIMIT with a value of 255°C, a default hysteresis of 20°C will be used instead.

7.45 (55h) VIN_OV_FAULT_LIMIT

| | |
|--------------------|--|
| CMD Address | 55h |
| Write Transaction: | Write Word |
| Read Transaction: | Read Word |
| Format: | SLINEAR11 per CAPABILITY |
| Phased: | No |
| NVM Back-up: | EEPROM |
| Updates: | On-the-fly |

The [\(55h\) VIN_OV_FAULT_LIMIT](#) command sets the PVIN voltage, in volts, when a VIN_OV_FAULT is declared. The response to a detected VIN_OV_FAULT is determined by the settings of [\(56h\) VIN_OV_FAULT_RESPONSE](#). [\(55h\) VIN_OV_FAULT_LIMIT](#) is typically used to stop switching in the event of excessive input voltage, which can result in over-stress damage to the power FETs due to ringing on the SW node.

Figure 7-44. (55h) VIN_OV_FAULT_LIMIT Register Map

| | | | | | | | |
|------------|----|----|----|----|------------|----|----|
| 15 | 14 | 13 | 12 | 11 | 10 | 9 | 8 |
| RW | RW | RW | RW | RW | RW | RW | RW |
| VINOVF_EXP | | | | | VINOVF_MAN | | |
| 7 | 6 | 5 | 4 | 3 | 2 | 1 | 0 |
| RW | RW | RW | RW | RW | RW | RW | RW |
| VINOVF_MAN | | | | | | | |

LEGEND: R/W = Read/Write; R = Read only

Table 7-44. Register Field Descriptions

| Bit | Field | Access | Reset | Description |
|-------|------------|--------|--------|---|
| 15:11 | VINOVF_EXP | RW | 11110b | Linear format two's complement exponent |
| 10:0 | VINOVF_MAN | RW | NVM | Linear format two's complement mantissa |

Attempts to write [\(55h\) VIN_OV_FAULT_LIMIT](#) beyond the supported range will be considered invalid/unsupported data and cause the TPSM8S6B24S to respond by flagging the appropriate status bits and notifying the host according to the PMBus 1.3.1 Part II specification section 10.9.3. [\(55h\) VIN_OV_FAULT_LIMIT](#) supports values from 4 V to 20 V in 0.25-V steps. Following a Power Cycle or STORE/RESTORE, [\(55h\) VIN_OV_FAULT_LIMIT](#) will be restored to the nearest supported value.

7.46 (56h) VIN_OV_FAULT_RESPONSE

| | |
|--------------------|--------------------------|
| CMD Address | 56h |
| Write Transaction: | Write Byte |
| Read Transaction: | Read Byte |
| Format: | Unsigned Binary (1 byte) |
| Phased: | No |
| NVM Back-up: | EEPROM |
| Updates: | On-the-fly |

The VIN_OV_FAULT_RESPONSE command instructs the device on what action to take in response to a PVIN Overvoltage Fault. Upon triggering the PVIN overvoltage fault, the converter responds per the data byte below, and the following actions are taken:

- Set the NONE OF THE ABOVE bit in the [STATUS_BYTE](#) register.
- Set the INPUT bit in the upper byte of the STATUS_WORD register.
- Set the VIN_OV bit in the STATUS_INPUT register.
- Notify the host per PMBus 1.3.1 Part II specification, section 10.2.

Figure 7-45. (56h) VIN_OV_FAULT_RESPONSE Register Map

| | | | | | | | |
|-------------|----|--------------|----|----|-------------|----|----|
| 7 | 6 | 5 | 4 | 3 | 2 | 1 | 0 |
| RW | RW | RW | RW | RW | RW | RW | RW |
| VINOVF_RESP | | VINOVF_RETRY | | | VIN_OVF_DLY | | |

LEGEND: R/W = Read/Write; R = Read only

Table 7-45. Register Field Descriptions

| Bit | Field | Access | Reset | Description |
|-----|---------------|--------|-------|--|
| 7:6 | VIN_OVF_RESP | RW | NVM | PVIN Overvoltage fault response 00b: Ignore. Continue operating without interruption. 01b: Delayed Shutdown Continue Operating for a number of switching cycles defined by VIN_OVF_DLY, then if fault persists, shut down and restart according to VIN_OV_RETRY. 10b: Immediate Shutdown. Shut down and restart according to VIN_OV_RETRY. 11b: Invalid / Not Supported |
| 5:3 | VIN_OVF_RETRY | RW | NVM | PVIN Overvoltage retry 0d: Do not attempt to restart (latch off). 1d-6d: After shutting down, wait one HICCUP period, and attempt to restart up to 1 - 6 times. After 1 - 6 failed restart attempts, do not attempt to restart (latch off). Restart attempts that occur while PVIN voltage is above VIN_OV_FAULT_LIMIT will not be observable but will be counted 7d: After shutting down, wait one HICCUP period, and attempt to restart indefinitely, until commanded OFF, or a successful start-up occurs. |
| 2:0 | VIN_OVF_DLY | RW | NVM | PVIN Overvoltage delay time for respond after delay and HICCUP 0d: Shutdown delay of one PWM_CLK, HICCUP equal to TON_RISE 1d: Shutdown delay of one PWM_CLK, HICCUP equal to TON_RISE 2d - 4d: Shutdown delay of three PWM_CLK, HICCUP equal to 2 - 4 times TON_RISE 5d - 7d: Shutdown delay of seven PWM_CLK, HICCUP equal to 5 - 7 times TON_RISE |

Attempts to write (56h) VIN_OV_FAULT_RESPONSE to any value outside those specified as valid will be considered invalid/unsupported data and cause the TPSM8S6B24S to respond by flagging the appropriate status bits and notifying the host according to the PMBus 1.3.1 Part II specification section 10.9.3.

7.47 (58h) VIN_UV_WARN_LIMIT

| | |
|--------------------|--|
| CMD Address | 58h |
| Write Transaction: | Write Word |
| Read Transaction: | Read Word |
| Format: | SLINEAR11 per CAPABILITY |
| Phased: | Yes |
| NVM Back-up: | EEPROM |
| Updates: | On-the-fly |

The (58h) [VIN_UV_WARN_LIMIT](#) command sets the value of the PVIN pin voltage, in volts, that causes the input voltage detector to indicate an input undervoltage warning.

The (58h) [VIN_UV_WARN_LIMIT](#) is a phase command, each phase within a stack will independently detect and report input undervoltage warnings.

In response to an input undervoltage warning condition, the TPSM8S6B24S takes the following action:

- Set the NONE OF THE ABOVE bit in the [STATUS_BYTE](#).
- Set the INPUT bit in the [STATUS_WORD](#).
- Set the VIN_UVW bit in the [STATUS_INPUT](#) register.
- Notify the host per PMBus 1.3.1 Part II specification, section 10.2.

Figure 7-46. (58h) VIN_UV_WARN_LIMIT Register Map

| | | | | | | | |
|------------|----|----|----|------------|----|----|----|
| 15 | 14 | 13 | 12 | 11 | 10 | 9 | 8 |
| RW | RW | RW | RW | RW | RW | RW | RW |
| VINUVW_EXP | | | | VINUVW_MAN | | | |
| 7 | 6 | 5 | 4 | 3 | 2 | 1 | 0 |
| RW | RW | RW | RW | RW | RW | RW | RW |
| VINUVW_MAN | | | | | | | |

LEGEND: R/W = Read/Write; R = Read only

Table 7-46. Register Field Descriptions

| Bit | Field | Access | Reset | Description |
|-------|------------|--------|--------|---|
| 15:11 | VINUVW_EXP | RW | 11110b | Linear format two's complement exponent |
| 10:0 | VINUVW_MAN | RW | NVM | Linear format two's complement mantissa Supported values 2.5 V to 15.5 V |

Attempts to write (58h) [VIN_UV_WARN_LIMIT](#) to any value outside those specified as valid will be considered invalid/unsupported data and cause the TPSM8S6B24S to respond by flagging the appropriate status bits and notifying the host according to the PMBus 1.3.1 Part II specification section 10.9.3.

7.48 (60h) TON_DELAY

| | |
|--------------------|--|
| CMD Address | 60h |
| Write Transaction: | Write Word |
| Read Transaction: | Read Word |
| Format: | SLINEAR11 per CAPABILITY |
| Phased: | No |
| NVM Back-up: | EEPROM |
| Updates: | On-the-fly |

The [TON_DELAY](#) command sets the time, in milliseconds, from when a start condition is received (as programmed by the [ON_OFF_CONFIG](#) command) until the output voltage starts to rise.

Figure 7-47. (60h) TON_DELAY Register Map

| | | | | | | | |
|------------|----|----|----|----|------------|----|----|
| 15 | 14 | 13 | 12 | 11 | 10 | 9 | 8 |
| RW | RW | RW | RW | RW | RW | RW | RW |
| TONDLY_EXP | | | | | TONDLY_MAN | | |
| 7 | 6 | 5 | 4 | 3 | 2 | 1 | 0 |
| RW | RW | RW | RW | RW | RW | RW | RW |
| TONDLY_MAN | | | | | | | |

LEGEND: R/W = Read/Write; R = Read only

Table 7-47. Register Field Descriptions

| Bit | Field | Access | Reset | Description |
|-------|------------|--------|--------|--|
| 15:11 | TONDLY_EXP | RW | 11111b | Linear format two's complement exponent. |
| 10:0 | TONDLY_MAN | RW | NVM | Linear format two's complement mantissa. Note, a minimum turn-on delay of approximately 100 μ s is observed even when TON_DELAY during which the device initializes itself at every power-on. |

Attempts to write [\(60h\) TON_DELAY](#) beyond the supported range will be considered invalid/unsupported data and cause the TPSM8S6B24S to respond by flagging the appropriate status bits and notifying the host according to the PMBus 1.3.1 Part II specification section 10.9.3. [TON_DELAY](#) supports values from 0ms to 127.5 ms in 0.5-ms steps. Following a Power Cycle or STORE/RESTORE, [TON_DELAY](#) will be restored to the nearest supported value.

Refer to the [Start-Up and Shutdown](#) behavior section for handling of corner cases with respect to interrupted [TON_DELAY](#), [TON_RISE](#), [TOFF_FALL](#), and [TOFF_DELAY](#) times.

7.49 (61h) TON_RISE

| | |
|--------------------|--|
| CMD Address | 61h |
| Write Transaction: | Write Word |
| Read Transaction: | Read Word |
| Format: | SLINEAR11 per CAPABILITY |
| Phased: | No |
| NVM Back-up: | EEPROM or Pin Detection |
| Updates: | On-the-fly |

The [TON_RISE](#) command sets the time, in milliseconds, from when the output starts to rise until the voltage has entered the regulation band. This effectively sets the slew rate of the reference DAC during the soft-start period. Note that the rise time is equal to [TON_RISE](#) regardless of the value of the target output voltage or [VOUT_SCALE_LOOP](#).

Due to hardware limitations in the resolution of the reference DAC slew-rate control, longer TON_RISE times with higher VOUT_COMMAND voltages can result in some quantization error in the programmed TON_RISE times with several TON_RISE times producing the same VOUT slope and TON_RISE time even with different TON_RISE settings or different TON_RISE times for the same TON_RISE setting and different VOUT_COMMAND voltages.

Figure 7-48. (61h) TON_RISE Register Map

| | | | | | | | |
|----------|----|----|----|----|----------|----|----|
| 15 | 14 | 13 | 12 | 11 | 10 | 9 | 8 |
| RW | RW | RW | RW | RW | RW | RW | RW |
| TONR_EXP | | | | | TONR_MAN | | |
| 7 | 6 | 5 | 4 | 3 | 2 | 1 | 0 |
| RW | RW | RW | RW | RW | RW | RW | RW |
| TONR_MAN | | | | | | | |

LEGEND: R/W = Read/Write; R = Read only

Table 7-48. Register Field Descriptions

| Bit | Field | Access | Reset | Description |
|-------|----------|--------|--------|---|
| 15:11 | TONR_EXP | RW | 11110b | Linear format two's complement exponent |
| 10:0 | TONR_MAN | RW | NVM | Linear format two's complement mantissa |

Attempts to write [\(61h\) TON_RISE](#) beyond the supported range will be considered invalid/unsupported data and cause the TPSM8S6B24S to respond by flagging the appropriate status bits and notifying the host according to the PMBus 1.3.1 Part II specification section 10.9.3. TON_RISE will support the range from 0ms to 31.75 ms in 0.25-ms steps. Values less than 0.5 ms are supported as 0.5 ms.

7.50 (62h) TON_MAX_FAULT_LIMIT

| | |
|--------------------|--|
| CMD Address | 62h |
| Write Transaction: | Write Word |
| Read Transaction: | Read Word |
| Format: | SLINEAR11 per CAPABILITY |
| Phased: | No |
| NVM Back-up: | EEPROM |
| Updates: | On-the-fly |

The [TON_MAX_FAULT_LIMIT](#) command sets an upper limit, in milliseconds, on how long the unit can attempt to power up the output without reaching the target voltage.

The TON_MAX time is defined as the maximum allowable amount of time from the end of [TON_DELAY](#), until the output voltage reaches 85% of the programmed output voltage, as sensed by the READ_VOUT telemetry at VOSNS - GOSNS.

Note that for the TPSM8S6B24S, the undervoltage fault limit is enabled at the end of TON_RISE. As a consequence, unless [VOUT_UV_FAULT_RESPONSE](#) is set to ignore, in the case of a “real” TON_MAX fault (for example, output voltage did not rise quickly enough), UV faults / associated response will always precede TON_MAX.

The converter response to a TON_MAX fault event is described in [TON_MAX_FAULT_RESPONSE](#).

Figure 7-49. (62h) TON_MAX_FAULT_LIMIT Register Map

| | | | | | | | |
|-------------|----|----|----|-------------|----|----|----|
| 15 | 14 | 13 | 12 | 11 | 10 | 9 | 8 |
| RW | RW | RW | RW | RW | RW | RW | RW |
| TONMAXF_EXP | | | | TONMAXF_MAN | | | |
| 7 | 6 | 5 | 4 | 3 | 2 | 1 | 0 |
| RW | RW | RW | RW | RW | RW | RW | RW |
| TONMAXF_MAN | | | | | | | |

LEGEND: R/W = Read/Write; R = Read only

Table 7-49. Register Field Descriptions

| Bit | Field | Access | Reset | Description |
|-------|-------------|--------|--------|---|
| 15:11 | TONMAXF_EXP | RW | 11111b | Linear format two's complement exponent |
| 10:0 | TONMAXF_MAN | RW | NVM | Linear format two's complement mantissa |

Attempts to write [\(62h\) TON_MAX_FAULT_LIMIT](#) will be considered an invalid/unsupported command and cause the TPSM8S6B24S to respond by flagging the appropriate status bits and notifying the host according to the PMBus 1.3.1 Part II specification section 10.9.3. TON_MAX_FAULT_LIMIT supports values from 0 ms to 127 ms in 0.5-ms steps.

*Note: programming TON_MAX_FAULT to 0 ms disables the TON_MAX functionality.

7.51 (63h) TON_MAX_FAULT_RESPONSE

| | |
|--------------------|--------------------------|
| CMD Address | 63h |
| Write Transaction: | Write Byte |
| Read Transaction: | Read Byte |
| Format: | Unsigned Binary (1 byte) |
| Phased: | No |
| NVM Back-up: | EEPROM |
| Updates: | On-the-fly |

The [TON_MAX_FAULT_RESPONSE](#) instructs the device on what action to take in response to TON_MAX fault. Upon triggering the input TON_MAX fault, the converter responds per the byte below and the following actions are taken:

- Set the NONE OF THE ABOVE bit in the [STATUS_BYTE](#).
- Set the VOUT bit in the [STATUS_WORD](#).
- Set the TON_MAX bit in [STATUS_VOUT](#).
- Notify the host per PMBus 1.3.1 Part II specification, section 10.2.

Figure 7-50. (63h) TON_MAX_FAULT_RESPONSE Register Map

| | | | | | | | |
|-------------|----|--------------|----|----|--------------|----|----|
| 7 | 6 | 5 | 4 | 3 | 2 | 1 | 0 |
| RW | RW | RW | RW | RW | RW | RW | RW |
| TONMAX_RESP | | TONMAX_RETRY | | | TONMAX_DELAY | | |

LEGEND: R/W = Read/Write; R = Read only

Table 7-50. Register Field Descriptions

| Bit | Field | Access | Reset | Description |
|-----|--------------|--------|-------|--|
| 7:6 | TONMAX_RESP | RW | NVM | TON_MAX Fault Response 00b: Ignore. Continue operating without interruption. 01b: Continue Operating for the delay time specified by TONMAX_DELAY, if the fault is still present, shutdown and restart according to TONMAX_RETRY. 10b: Shutdown Immediately and restart according to TONMAX_RETRY. Other: Invalid/Unsupported |
| 5:3 | TONMAX_RETRY | RW | NVM | TON_MAX Fault Retry 0d: Do not attempt to restart (latch off). 1d-6d: After shutting down, wait one HICCUP period, and attempt to restart up to 1 - 6 times. 7d: After shutting down, wait one HICCUP period, and attempt to restart indefinitely, until commanded OFF, or a successful start-up occurs. |
| 2:0 | TONMAX_DELAY | RW | NVM | TON_MAX delay time for respond after delay and HICCUP 0d: Shutdown delay of 1 ms, HICCUP equal to TON_RISE 1d - 7d: Shutdown delay of 1-7 ms, HICCUP equal to 2-7 times TON_RISE |

Attempts to write [\(63h\) TON_MAX_FAULT_RESPONSE](#) to any value outside those specified as valid, will be considered invalid/unsupported data and cause the TPSM8S6B24S to respond by flagging the appropriate status bits and notifying the host according to the PMBus 1.3.1 Part II specification section 10.9.3.

7.52 (64h) TOFF_DELAY

| | |
|--------------------|--|
| CMD Address | 64h |
| Write Transaction: | Write Word |
| Read Transaction: | Read Word |
| Format: | SLINEAR11 per CAPABILITY |
| Phased: | No |
| NVM Back-up: | EEPROM |
| Updates: | On-the-fly |

The [TOFF_DELAY](#) command sets the time, in milliseconds, from when a stop condition is received (as programmed by the [ON_OFF_CONFIG](#) command) until the unit stops transferring energy to the output.

Figure 7-51. (64h) TOFF_DELAY Register Map

| | | | | | | | |
|-------------|----|----|----|----|-------------|----|----|
| 15 | 14 | 13 | 12 | 11 | 10 | 9 | 8 |
| RW | RW | RW | RW | RW | RW | RW | RW |
| TOFFDLY_EXP | | | | | TOFFDLY_MAN | | |
| 7 | 6 | 5 | 4 | 3 | 2 | 1 | 0 |
| RW | RW | RW | RW | RW | RW | RW | RW |
| TOFFDLY_MAN | | | | | | | |

LEGEND: R/W = Read/Write; R = Read only

Table 7-51. Register Field Descriptions

| Bit | Field | Access | Reset | Description |
|-------|-------------|--------|--------|---|
| 15:11 | TOFFDLY_EXP | RW | 11111b | Linear format two's complement exponent |
| 10:0 | TOFFDLY_MAN | RW | NVM | Linear format two's complement mantissa |

Attempts to write [\(64h\) TOFF_DELAY](#) beyond the supported range will be considered invalid/unsupported data and cause the TPSM8S6B24S to respond by flagging the appropriate status bits and notifying the host according to the PMBus 1.3.1 Part II specification section 10.9.3. TOFF_DELAY supports values from 0 ms to 127.5 ms in 0.5-ms steps. An internal delay of up to 50 μ s will be added to TOFF_DELAY, even if TOFF_DELAY is equal to 0 ms.

7.53 (65h) TOFF_FALL

| | |
|--------------------|--|
| CMD Address | 65h |
| Write Transaction: | Write Word |
| Read Transaction: | Read Word |
| Format: | SLINEAR11 per CAPABILITY |
| Phased: | No |
| NVM Back-up: | EEPROM |
| Updates: | On-the-fly |

The [TOFF_FALL](#) command sets the time, in milliseconds, from the end of the turnoff delay time until the voltage is commanded to zero. Note that this command can only be used with a device whose output can sink enough current to cause the output voltage to decrease at a controlled rate. This effectively sets the slew rate of the reference DAC during the soft-off period. Note that the fall time is equal to [TOFF_FALL](#) regardless of the value of the target output voltage or [VOUT_SCALE_LOOP](#) for the purposes of slew rate selection based on the target output voltage.

Figure 7-52. (65h) TOFF_FALL Register Map

| | | | | | | | |
|-----------|----|----|----|----|-----------|----|----|
| 15 | 14 | 13 | 12 | 11 | 10 | 9 | 8 |
| RW | RW | RW | RW | RW | RW | RW | RW |
| TOFFF_EXP | | | | | TOFFF_MAN | | |
| 7 | 6 | 5 | 4 | 3 | 2 | 1 | 0 |
| RW | RW | RW | RW | RW | RW | RW | RW |
| TOFFF_MAN | | | | | | | |

LEGEND: R/W = Read/Write; R = Read only

Table 7-52. Register Field Descriptions

| Bit | Field | Access | Reset | Description |
|-------|-----------|--------|--------|---|
| 15:11 | TOFFF_EXP | RW | 11110b | Linear format two's complement exponent. Exponent = -2, LSB = 0.25 ms |
| 10:0 | TOFFF_MAN | RW | NVM | Linear format two's complement mantissa |

Attempts to write [\(65h\) TOFF_FALL](#) beyond the supported range will be considered invalid/unsupported data and cause the TPSM8S6B24S to respond by flagging the appropriate status bits and notifying the host according to the PMBus 1.3.1 Part II specification section 10.9.3. [\(65h\) TOFF_FALL](#) supports values from 0.5 ms to 31.75 ms in 0.25-ms steps. Values less than 0.5 ms will be implemented as 0.5 ms.

Due to hardware limitations in the resolution of the reference DAC slew-rate control, longer [TOFF_FALL](#) times with higher [\(21h\) VOUT_COMMAND](#) voltages can result in some quantization error in the programmed [TOFF_FALL](#) times with several [TOFF_FALL](#) times producing the same VOUT slope and [TOFF_FALL](#) time even with different [TOFF_FALL](#) settings, or different [TOFF_FALL](#) times for the same [TOFF_FALL](#) setting and different [\(21h\) VOUT_COMMAND](#) voltages.

7.54 (78h) STATUS_BYTE

| | |
|--------------------|--------------------------|
| CMD Address | 78h |
| Write Transaction: | Write Byte |
| Read Transaction: | Read Byte |
| Format: | Unsigned Binary (1 byte) |
| Phased: | Yes |
| NVM Back-up: | No |
| Updates: | On-the-fly |

The **STATUS_BYTE** command returns one byte of information with a summary of the most critical faults, such as overvoltage, overcurrent, overtemperature, and so forth. The supported **STATUS_BYTE** message content is described in the following table. The **STATUS_BYTE** is equal the low byte of **STATUS_WORD**. The conditions in the **STATUS_BYTE** are summary information only. They are asserted to inform the host as to which other STATUS registers must be checked in the event of a fault. Setting and clearing of these bits must be done in the individual status registers. For example, Clearing VOUT_OVF in **STATUS_VOUT** also clears VOUT_OV in **STATUS_BYTE**.

Figure 7-53. (78h) STATUS_BYTE Register Map

| 7 | 6 | 5 | 4 | 3 | 2 | 1 | 0 |
|------|-----|---------|---------|--------|------|-----|-------------------|
| RW | R | R | R | R | R | R | R |
| BUSY | OFF | VOUT_OV | IOUT_OC | VIN_UV | TEMP | CML | NONE OF THE ABOVE |

LEGEND: R/W = Read/Write; R = Read only

Table 7-53. Register Field Descriptions

| Bit | Field | Access | Reset | Description |
|-----|-------------------|--------|-------|--|
| 7 | BUSY | RW | 0b | 0b: A fault was NOT declared because the device was busy and unable to respond. 1b: A fault was declared because the device was busy and unable to respond. |
| 6 | OFF | R | 0b | LIVE (unlatched) status bit 0b: The unit is enabled and converting power. 1b: The unit is NOT converting power for any reason including simply not being enabled. |
| 5 | VOUT_OV | R | 0b | 0b: An output overvoltage fault has NOT occurred. 1b: An output overvoltage fault has occurred. |
| 4 | IOUT_OC | R | 0b | 0b: An output overcurrent fault has NOT occurred. 1b: An output overcurrent fault has occurred. |
| 3 | VIN_UV | R | 0b | 0b: An input undervoltage fault has NOT occurred. 1b: An input undervoltage fault has occurred. |
| 2 | TEMP | R | 0b | 0b: A temperature fault/warning has NOT occurred. 1b: A temperature fault/warning has occurred, the host must check STATUS_TEMPERATURE for more information. |
| 1 | CML | R | 0b | 0b: A communication, memory, logic fault has NOT occurred. 1b: A communication, memory, logic fault has occurred, the host must check STATUS_CML for more information. |
| 0 | NONE OF THE ABOVE | R | 0b | 0b: A fault other than those listed above has NOT occurred. 1b: A fault other than those listed above has occurred. The host must check the STATUS_WORD for more information. |

Writing 80h to STATUS_BYTE will clear the BUSY bit, if set.

7.55 (79h) STATUS_WORD

| | |
|--------------------|---------------------------|
| CMD Address | 79h |
| Write Transaction: | Write Word |
| Read Transaction: | Read Word |
| Format: | Unsigned Binary (2 bytes) |
| Phased: | Yes |
| NVM Back-up: | No |
| Updates: | On-the-fly |

The **STATUS_WORD** command returns two bytes of information with a summary of the most critical faults, such as overvoltage, overcurrent, overtemperature, and so forth. The low byte of the **STATUS_WORD** is the same register as the **STATUS_BYTE**. The supported **STATUS_WORD** message content is described in the following table. The conditions in the **STATUS_BYTE** are summary information only.

Figure 7-54. (79h) STATUS_WORD Register Map

| | | | | | | | |
|-------------|------|-------|-----|-------|----|-------|---|
| 15 | 14 | 13 | 12 | 11 | 10 | 9 | 8 |
| R | R | R | R | R | R | R | R |
| VOUT | IOUT | INPUT | MFR | PGOOD | 0 | OTHER | 0 |
| 7 | 6 | 5 | 4 | 3 | 2 | 1 | 0 |
| RW | R | R | R | R | R | R | R |
| STATUS_BYTE | | | | | | | |

LEGEND: R/W = Read/Write; R = Read only

Table 7-54. Register Field Descriptions

| Bit | Field | Access | Reset | Description |
|-----|---------------|--------|-------|--|
| 15 | VOUT | R | 0b | 0b: An output voltage related fault has NOT occurred. 1b: An output voltage fault has occurred. The host must check STATUS_ VOUT for more information |
| 14 | IOUT | R | 0b | 0b: An output current related fault has NOT occurred. 1b: An output current fault has occurred. The host must check STATUS_ IOUT for more information |
| 13 | INPUT | R | 0b | 0b: An input related fault has NOT occurred. 1b: An input fault has occurred. The host must check STATUS_ INPUT for more information |
| 12 | MFR | R | 0b | 0b: A Manufacturer-defined fault has NOT occurred. 1b: A Manufacturer-defined fault has occurred. The host must check STATUS_ MFR_ SPECIFIC for more information. |
| 11 | PGOOD | R | 0b | LIVE (unlatched) status bit. Should follow always the value of the PGOOD/ RESET_ B pin is asserted. 0b: The output voltage is within the regulation window. PGOOD pin is de-asserted. 1b: The output voltage is NOT within the regulation window. PGOOD pin is asserted. |
| 10 | Not Supported | R | 0b | Not supported and always set to 0b |
| 9 | OTHER | R | 0b | 0b: An OTHER fault has not occurred. 1b: An OTHER fault has occurred, the host must check STATUS_ OTHER for more information. |
| 8 | Not Supported | R | 0b | Not supported and always set to 0b. |
| 7:0 | STATUS_ BYTE | RW | 00h | Always equal to the STATUS_ BYTE value. |

All bits which can trigger SMBALERT have a corresponding bit in [SMBALERT_MASK](#).

Writing 0080h to STATUS_WORD will clear the BUSY bit, if set. Writing 0180h to STATUS_WORD will clear both the BUSY bit and UNKNOWN bit, if set.

7.56 (7Ah) STATUS_VOUT

| | |
|--------------------|--------------------------|
| CMD Address | 7Ah |
| Write Transaction: | Write Byte |
| Read Transaction: | Read Byte |
| Format: | Unsigned Binary (1 byte) |
| Phased: | No |
| NVM Back-up: | No |
| Updates: | On-the-fly |

The [STATUS_VOUT](#) command returns one data byte with contents as follows. All supported bits can be cleared either by [CLEAR_FAULTS](#), or individually by writing 1b to the (7Ah) [STATUS_VOUT](#) register in their position, per the PMBus 1.3.1 Part II specification section 10.2.4.

Figure 7-55. (7Ah) STATUS_VOUT Register Map

| 7 | 6 | 5 | 4 | 3 | 2 | 1 | 0 |
|----------|----------|----------|----------|--------------|---------|---|---|
| RW | RW | RW | RW | RW | RW | R | R |
| VOUT_OVF | VOUT_OVW | VOUT_UVW | VOUT_UVF | VOUT_MIN_MAX | TON_MAX | 0 | 0 |

LEGEND: R/W = Read/Write; R = Read only

Table 7-55. Register Field Descriptions

| Bit | Field | Access | Reset | Description |
|-----|---------------|--------|-------|---|
| 7 | VOUT_OVF | RW | 0b | 0b: Latched flag indicating VOUT OV fault has NOT occurred. 1b: Latched flag indicating a VOUT OV fault has occurred. Note: the mask bits for VOUT_OVF will mask fixed, tracking, and pre-biased OVP. These can be individually controlled in SMBALERT_MASK_EXTENDED. |
| 6 | VOUT_OVW | RW | 0b | 0b: Latched flag indicating VOUT OV warn has NOT occurred. 1b: Latched flag indicating a VOUT OV warn has occurred. Note: the mask bits for VOUT_OVF will mask fixed and tracking Overvoltage Protection. |
| 5 | VOUT_UVW | RW | 0b | 0b: Latched flag indicating VOUT UV warn has NOT occurred. 1b: Latched flag indicating a VOUT UV warn has occurred. |
| 4 | VOUT_UVF | RW | 0b | 0b: Latched flag indicating VOUT UV fault has NOT occurred. 1b: Latched flag indicating a VOUT UV fault has occurred. |
| 3 | VOUT_MIN_MAX | RW | 0b | 0b: Latched flag indicating a VOUT_MIN_MAX has NOT occurred. 1b: Latched flag indicating a VOUT_MIN_MAX has occurred. |
| 2 | TON_MAX | RW | 0b | 0b: Latched flag indicating a TON_MAX has NOT occurred. 1b: Latched flag indicating a TON_MAX has occurred. |
| 1:0 | Not supported | R | 00b | Not supported and always set to 00b. |

All bits which can trigger SMBALERT have a corresponding bit in [SMBALERT_MASK](#).

7.57 (7Bh) STATUS_IOUT

| | |
|--------------------|--------------------------|
| CMD Address | 7Bh |
| Write Transaction: | Write Byte |
| Read Transaction: | Read Byte |
| Format: | Unsigned Binary (1 byte) |
| Phased: | Yes |
| NVM Back-up: | No |
| Updates: | On-the-fly |

The [STATUS_IOUT](#) command returns one data byte with contents as follows. All supported bits can be cleared either by [CLEAR_FAULTS](#), or individually by writing 1b to the (7Bh) [STATUS_IOUT](#) register in their position, per the PMBus 1.3.1 Part II specification section 10.2.4.

Figure 7-56. (7Bh) STATUS_IOUT Register Map

| 7 | 6 | 5 | 4 | 3 | 2 | 1 | 0 |
|----------|---|----------|----|---|---|---|---|
| RW | R | RW | RW | R | R | R | R |
| IOUT_OCF | 0 | IOUT_OCW | 0 | 0 | 0 | 0 | 0 |

LEGEND: R/W = Read/Write; R = Read only

Table 7-56. Register Field Descriptions

| Bit | Field | Access | Reset | Description |
|-----|---------------|--------|-------|--|
| 7 | IOUT_OCF | RW | 0b | 0b: Latched flag indicating IOUT OC fault has NOT occurred. 1b: Latched flag indicating IOUT OC fault has occurred. |
| 6 | Not Supported | R | 0b | Not supported and always set to 0b. |
| 5 | IOUT_OCW | RW | 0b | 0b: Latched flag indicating IOUT OC warn has NOT occurred. 1b: Latched flag indicating IOUT OC warn has occurred. |
| 4 | IOUT_UCF | RW | 0b | 0b: Latched flag indicating IOUT UC fault has NOT occurred. 1b: Latched flag indicating IOUT UC fault has occurred. |
| 3:0 | Not Supported | R | 0000b | Not supported and always set to 0000b. |

All bits which can trigger SMBALERT have a corresponding bit in [SMBALERT_MASK](#).

7.58 (7Ch) STATUS_INPUT

| | |
|--------------------|--------------------------|
| CMD Address | 7Ch |
| Write Transaction: | Write Byte |
| Read Transaction: | Read Byte |
| Format: | Unsigned Binary (1 byte) |
| Phased: | Yes |
| NVM Back-up: | No |
| Updates: | On-the-fly |

The [STATUS_INPUT](#) command returns one data byte with contents as follows. All supported bits can be cleared either by [CLEAR_FAULTS](#), or individually by writing 1b to the (7Ch) [STATUS_INPUT](#) register in their position, per the PMBus 1.3.1 Part II specification section 10.2.4.

Figure 7-57. (7Ch) STATUS_INPUT Register Map

| 7 | 6 | 5 | 4 | 3 | 2 | 1 | 0 |
|---------|---|---------|---|---------|---|---|---|
| RW | R | RW | R | RW | R | R | R |
| VIN_OVF | 0 | VIN_UVW | 0 | LOW_VIN | 0 | 0 | 0 |

LEGEND: R/W = Read/Write; R = Read only

Table 7-57. Register Field Descriptions

| Bit | Field | Access | Reset | Description |
|-----|---------------|--------|-------|---|
| 7 | VIN_OVF | RW | 0b | 0b: Latched flag indicating PVIN OV fault has NOT occurred. 1b: Latched flag indicating PVIN OV fault has occurred. |
| 6 | VIN_OVW | RW | 0b | Not supported and always set to 0b |
| 5 | VIN_UVW | | 0b | 0b: Latched flag indicating PVIN UV warn occurred. 1b: Latched flag indicating PVIN UV warn has occurred. |
| 4 | Not Supported | R | 0b | Not supported and always set to 0b. |
| 3 | LOW_VIN | RW | 0b | LIVE (unlatched) status bit. Showing the value of PVIN relative to VIN_ON and VIN_OFF. 0b: PVIN is ON. 1b: PVIN is OFF. |
| 2:0 | Not Supported | R | 000b | Not supported and always set to 000b. |

All bits which may trigger SMBALERT have a corresponding bit in [SMBALERT_MASK](#).

LOW_VIN vs VIN_UVW

The LOW_VIN bit is an information only (will not assert SMBALERT) flag which indicates that the device is not converting power because its PVIN voltage is less than [VIN_ON](#) or the VDD5 voltage is less than its UVLO to enable conversion. LOW_VIN asserts initially at reset but does not assert SMBALERT.

The VIN_UVW bit is a latched status bit, may assert SMBALERT if it is triggered to alert the host of an input voltage issue. VIN_UVW IS masked until the first time the sensed input voltage exceeds the [VIN_ON](#) threshold.

7.59 (7Dh) STATUS_TEMPERATURE

| | |
|--------------------|--------------------------|
| CMD Address | 7Dh |
| Write Transaction: | Write Byte |
| Read Transaction: | Read Byte |
| Format: | Unsigned Binary (1 byte) |
| Phased: | Yes |
| NVM Back-up: | No |
| Updates: | On-the-fly |

The [STATUS_TEMPERATURE](#) command returns one data byte with contents as follows. All supported bits can be cleared either by [CLEAR_FAULTS](#), or individually by writing 1b to the (7Dh) [STATUS_TEMPERATURE](#) register in their position, per the PMBus 1.3.1 Part II specification section 10.2.4.

Figure 7-58. (7Dh) STATUS_TEMPERATURE Register Map

| 7 | 6 | 5 | 4 | 3 | 2 | 1 | 0 |
|-----|-----|---|---|---|---|---|---|
| RW | RW | R | R | R | R | R | R |
| OTF | OTW | 0 | 0 | 0 | 0 | 0 | 0 |

LEGEND: R/W = Read/Write; R = Read only

Table 7-58. Register Field Descriptions

| Bit | Field | Access | Reset | Description |
|-----|---------------|--------|-------|--|
| 7 | OTF | RW | 0b | 0b: Latched flag indicating OT fault has NOT occurred. 1b: Latched flag indicating OT fault has occurred. |
| 6 | OTW | RW | 0b | 0b: Latched flag indicating OT warn has NOT occurred. 1b: Latched flag indicating OT warn has occurred |
| 5:0 | Not supported | R | 0d | Not supported and always set to 000000b. |

All bits which can trigger SMBALERT have a corresponding bit in [SMBALERT_MASK](#).

7.60 (7Eh) STATUS_CML

| | |
|--------------------|--------------------------|
| CMD Address | 7Eh |
| Write Transaction: | Write Byte |
| Read Transaction: | Read Byte |
| Format: | Unsigned Binary (1 byte) |
| Phased: | Yes |
| NVM Back-up: | No |
| Updates: | On-the-fly |

The **STATUS_CML** command returns one data byte with contents relating to communications, logic, and memory as follows. All supported bits can be cleared either by **CLEAR_FAULTS**, or individually by writing 1b to the (7Eh) **STATUS_CML** register in their position, per the PMBus 1.3.1 Part II specification section 10.2.4.

Figure 7-59. (7Eh) STATUS_CML Register Map

| 7 | 6 | 5 | 4 | 3 | 2 | 1 | 0 |
|-----|-----|-----|-----|----------|---|------|---|
| RW | RW | RW | RW | RW | R | RW | R |
| IVC | IVD | PEC | MEM | PROC_FLT | 0 | COMM | 0 |

LEGEND: R/W = Read/Write; R = Read only

Table 7-59. Register Field Descriptions

| Bit | Field | Access | Reset | Description |
|-----|---------------|--------|-------|---|
| 7 | IVC | RW | 0b | 0b: Latched flag indicating invalid or unsupported command was NOT received. 1b: Latched flag indicating an invalid or unsupported command was received. |
| 6 | IVD | RW | 0b | 0b: Latched flag indicating invalid or unsupported data was NOT received. 1b: Latched flag indicating an invalid or unsupported data was received. |
| 5 | PEC | RW | 0b | 0b: Latched flag indicating NO packet error check has failed. 1b: Latched flag indicating a packet error check has failed. |
| 4 | MEM | RW | 0b | 0b: Latched flag indicating NO memory error was detected. 1b: Latched flag indicating a memory error was detected. |
| 3 | PROC_FLT | RW | 0b | 0b: Latched flag indicating NO logic core error was detected. 1b: Latched flag indicating a logic core error was detected. |
| 2 | Not supported | R | 0b | Not supported and always set to 0b. |
| 1 | COMM | RW | 0b | 0b: Latched flag indicating NO communication error detected. 1b: Latched flag indicating communication error detected. |
| 0 | Not supported | R | 0b | Not supported and always set to 0b. |

All bits which can trigger SMBALERT have a corresponding bit in **SMBALERT_MASK**.

Loop Followers will report a Back-Channel communications issue as a CML fault on their phase.

The corresponding bit **STATUS_BYTE** is an OR'ing of the supported bits in this command. When a fault condition in this command occurs, the corresponding bit in **STATUS_BYTE** is updated. Likewise, if this byte is individually cleared (for example, by a write of 1 to a latched condition), it must clear the corresponding bit in **STATUS_BYTE**.

7.61 (7Fh) STATUS_OTHER

| | |
|--------------------|--------------------------|
| CMD Address | 7Fh |
| Write Transaction: | Write Byte |
| Read Transaction: | Read Byte |
| Format: | Unsigned Binary (1 byte) |
| Phased: | No |
| NVM Back-up: | No |
| Updates: | On-the-fly |

The [STATUS_OTHER](#) command returns one data byte with information not specified in the other STATUS bytes.

Figure 7-60. (7Fh) STATUS_OTHER Register Map

| 7 | 6 | 5 | 4 | 3 | 2 | 1 | 0 |
|---|---|---|---|---|---|---|----------------|
| R | R | R | R | R | R | R | RW |
| 0 | 0 | 0 | 0 | 0 | 0 | 0 | FIRST_TO_ALERT |

LEGEND: R/W = Read/Write; R = Read only

Table 7-60. Register Field Descriptions

| Bit | Field | Access | Reset | Description |
|-----|----------------|--------|-------|--|
| 7:1 | Reserved | R | 0h | Reserved |
| 0 | FIRST_TO_ALERT | RW | 0b | 0b: Latched flag indicating that this device was NOT the first to assert SMBALERT. This can mean either that the SMBALERT signal is not asserted (or has since been cleared), or that it is asserted, but this device was not the first on the bus to assert it. 1b: Latched flag indicating that this device was the first to assert SMBALERT. |

The corresponding bit [STATUS_BYTE](#) is an OR'ing of the supported bits in this command. When a fault condition in this command occurs, the corresponding bit in [STATUS_BYTE](#) is updated. Likewise, if this byte is individually cleared (for example, by a write of 1 to a latched condition), it must clear the corresponding bit in [STATUS_BYTE](#).

7.62 (80h) STATUS_MFR_SPECIFIC

| | |
|--------------------|--------------------------|
| CMD Address | 80h |
| Write Transaction: | Write Byte |
| Read Transaction: | Read Byte |
| Format: | Unsigned Binary (1 byte) |
| Phased: | Yes |
| NVM Back-up: | No |
| Updates: | On-the-fly |

The [STATUS_MFR_SPECIFIC](#) command returns one data byte with contents regard of communications, logic, and memory as follows. All supported bits may be cleared either by [CLEAR_FAULTS](#), or individually by writing 1b to the (80h) [STATUS_MFR_SPECIFIC](#) register in their position, per the PMBus 1.3.1 Part II specification section 10.2.4.

Figure 7-61. (80h) STATUS_MFR_SPECIFIC Register Map

| 7 | 6 | 5 | 4 | 3 | 2 | 1 | 0 |
|-----|------|---|---|-------|-----|------|---|
| RW | R | R | R | RW | RW | RW | R |
| POR | SELF | 0 | 0 | RESET | BCX | SYNC | 0 |

LEGEND: R/W = Read/Write; R = Read only

Table 7-61. Register Field Descriptions

| Bit | Field | Access | Reset | Description |
|-----|---------------|--------|-------|---|
| 7 | POR | RW | 0b | 0: No Power-On Reset Fault has been detected. 1: A Power-On Reset Fault has been detected. This bit must be set if: Power-On Self-Check of Internal Trim values, USER_STORE NVM check-sum, or Pin Detection reports an invalid result. |
| 6 | SELF | R | 0b | LIVE (unlatched) status bit. Showing the status of the Power-On Self-Check. 0b: Power On Self-Check is complete. All expected BCX Loop Followers have responded. 1b: Power-On Self-Check is in progress. One or more BCX Loop Followers have not responded. |
| 5:4 | Not supported | R | 00b | Not supported and always set to 00b. |
| 3 | RESET | RW | 0b: | 0b: A RESET_VOUT event has NOT occurred. 1b: A RESET_VOUT event has occurred. |
| 2 | BCX | RW | 0b | 0b: A BCX fault event has NOT occurred. 1b: A BCX fault event has occurred. |
| 1 | SYNC | RW | 0b | 0b: No SYNC fault has been detected. 1b: A SYNC fault has been detected. |
| 0 | Not supported | R | 0b | Not supported and always set to 0b. |

Per the PMBus Spec writing a 1 to any bit in a STATUS register shall clear that bit if it is set. All bits which may trigger SMBALERT have a corresponding bit in [SMBALERT_MASK](#).

7.63 (88h) READ_VIN

| | |
|--------------------|--|
| CMD Address | 88h |
| Write Transaction: | N/A |
| Read Transaction: | Read Word |
| Format: | SLINEAR11 per CAPABILITY |
| Phased: | Yes |
| NVM Back-up: | No |
| Update Rate: | 1ms |
| Supported Range: | 0 - 24 V |

The [READ_VIN](#) command returns the output current in amperes.

Figure 7-62. (88h) READ_VIN Register Map

| | | | | | | | |
|--------------|----|----|----|--------------|----|---|---|
| 15 | 14 | 13 | 12 | 11 | 10 | 9 | 8 |
| R | R | R | R | R | R | R | R |
| READ_VIN_EXP | | | | READ_VIN_MAN | | | |
| 7 | 6 | 5 | 4 | 3 | 2 | 1 | 0 |
| R | R | R | R | R | R | R | R |
| READ_VIN_MAN | | | | | | | |

LEGEND: R/W = Read/Write; R = Read only

Table 7-62. Register Field Descriptions

| Bit | Field | Access | Reset | Description |
|-------|--------------|--------|---------------|---|
| 15:11 | READ_VIN_EXP | RW | Input voltage | Linear format two's complement exponent |
| 10:0 | READ_VIN_MAN | RW | Input voltage | Linear format two's complement mantissa |

Attempts to write read-only commands cause the CML: invalid command (IVC) fault condition, the TPSM8S6B24S responds as follows:

- Set the CML bit in [STATUS_BYTE](#).
- Set the CML_IVC (bit 7) bit in [STATUS_CML](#).
- Notifying the host according to the PMBus 1.3.1 Part II specification section 10.9.3.

PHASE Behavior

When [PHASE](#) = FFh, [READ_VIN](#) returns the PVIN voltage of the Loop Controller device.

When [PHASE](#) != FFh, [READ_VIN](#) returns the PVIN voltage of the device assigned to the current [PHASE](#).

7.64 (8Bh) READ_VOUT

| | |
|--------------------|---|
| CMD Address | 8Bh |
| Write Transaction: | N/A |
| Read Transaction: | Read Word |
| Format: | ULINEAR16 per VOUT_MODE . |
| Phased: | Yes |
| NVM Back-up: | No |
| Update Rate: | 1 ms |
| Supported Range | 0 V to 6.0 V |

The [READ_VOUT](#) command returns the actual, measured output voltage.

Figure 7-63. (8Bh) READ_VOUT Register Map

| | | | | | | | |
|-----------|----|----|----|----|----|---|---|
| 15 | 14 | 13 | 12 | 11 | 10 | 9 | 8 |
| R | R | R | R | R | R | R | R |
| READ_VOUT | | | | | | | |
| 7 | 6 | 5 | 4 | 3 | 2 | 1 | 0 |
| R | R | R | R | R | R | R | R |
| READ_VOUT | | | | | | | |

LEGEND: R/W = Read/Write; R = Read only

Table 7-63. Register Field Descriptions

| Bit | Field | Access | Reset | Description |
|------|-----------|--------|----------------|---|
| 15:0 | READ_VOUT | RW | Current Status | Output voltage reading, per VOUT_MODE |

READ_VOUT will report the voltage at the VOSNS pin with respect to AGND when a device is configured as a Loop Follower (GOSNS = BP1V5). In this configuration, VOUT_SCALE_LOOP is ignored and VOSNS must be externally scaled to maintain a voltage between 0 V and 0.75 V for proper reporting of the VOSNS voltage.

Attempts to write read-only commands cause the CML: invalid command (IVC) fault condition, the TPSM8S6B24S responds as follows:

- Set the CML bit in [STATUS_BYTE](#).
- Set the CML_IVC (bit 7) bit in [STATUS_CML](#).
- Notifying the host according to the PMBus 1.3.1 Part II specification section 10.9.3.

7.65 (8Ch) READ_IOUT

| | |
|--------------------|--|
| CMD Address | 8Ch |
| Write Transaction: | N/A |
| Read Transaction: | Read Word |
| Format: | SLINEAR11 per CAPABILITY |
| Phased: | Yes |
| NVM Back-up: | No |
| Update Rate: | 1 ms |
| Supported Range: | -15 A to 90 A per Phase |

The [READ_IOUT](#) command returns the output current in amperes.

Figure 7-64. (8Ch) READ_IOUT Register Map

| | | | | | | | |
|---------------|----|----|----|----|---------------|---|---|
| 15 | 14 | 13 | 12 | 11 | 10 | 9 | 8 |
| R | R | R | R | R | R | R | R |
| READ_IOUT_EXP | | | | | READ_IOUT_MAN | | |
| 7 | 6 | 5 | 4 | 3 | 2 | 1 | 0 |
| R | R | R | R | R | R | R | R |
| READ_IOUT_MAN | | | | | | | |

LEGEND: R/W = Read/Write; R = Read only

Table 7-64. Register Field Descriptions

| Bit | Field | Access | Reset | Description |
|-------|---------------|--------|----------------|---|
| 15:11 | READ_IOUT_EXP | RW | Current Status | Linear format two's complement exponent |
| 10:0 | READ_IOUT_MAN | RW | Current Status | Linear format two's complement mantissa |

Attempts to write read-only commands cause the CML: invalid command (IVC) fault condition, the TPSM8S6B24S responds as follows:

- Set the CML bit in [STATUS_BYTE](#).
- Set the CML_IVC (bit 7) bit in [STATUS_CML](#).
- Notifying the host according to the PMBus 1.3.1 Part II specification section 10.9.3.

PHASE Behavior

When [PHASE](#) = FFh, [READ_IOUT](#) returns the total current for the stack of devices supporting a single output.

When [PHASE](#) != FFh, [READ_IOUT](#) returns the measured current of the device assigned to the current [PHASE](#).

7.66 (8Dh) READ_TEMPERATURE_1

| | |
|--------------------|--|
| CMD Address | 8Dh |
| Write Transaction: | N/A |
| Read Transaction: | Read Word |
| Format: | SLINEAR11 per CAPABILITY |
| Phased: | Yes |
| NVM Back-up: | No |
| Update Rate: | 300 μ s |
| Supported Range: | -40°C to 175°C |

The [READ_TEMPERATURE_1](#) command returns the maximum power stage temperature in degrees Celsius.

Figure 7-65. (8Dh) READ_TEMPERATURE_1 Register Map

| | | | | | | | |
|-------------|----|----|----|-------------|----|---|---|
| 15 | 14 | 13 | 12 | 11 | 10 | 9 | 8 |
| R | R | R | R | R | R | R | R |
| READ_T1_EXP | | | | READ_T1_MAN | | | |
| 7 | 6 | 5 | 4 | 3 | 2 | 1 | 0 |
| R | R | R | R | R | R | R | R |
| READ_T1_MAN | | | | | | | |

LEGEND: R/W = Read/Write; R = Read only

Table 7-65. Register Field Descriptions

| Bit | Field | Access | Reset | Description |
|-------|-------------|--------|----------------|--|
| 15:11 | READ_T1_EXP | RW | Current Status | Linear format two's complement exponent. LSB = 1°C |
| 10:0 | READ_T1_MAN | RW | Current Status | Linear format two's complement mantissa |

Attempts to write read-only commands cause the CML: invalid command (IVC) fault condition, the TPSM8S6B24S responds as follows:

- Set the CML bit in [STATUS_BYTE](#).
- Set the CML_IVC (bit 7) bit in [STATUS_CML](#).
- Notifying the host according to the PMBus 1.3.1 Part II specification section 10.9.3.

PHASE Behavior

When [PHASE](#) = FFh, [READ_TEMPERATURE_1](#) returns the temperature of the hottest of device in the stack of devices supporting a single output.

When [PHASE](#) != FFh, [READ_TEMPERATURE_1](#) returns the measured temperature of the device assigned to the current [PHASE](#).

7.67 (98h) PMBUS_REVISION

| | |
|-----------------------|--------------------------|
| CMD Address | 98h |
| Write Transaction: | N/A |
| Read Transaction: | Read Byte |
| Format: | Unsigned Binary (1 byte) |
| Phased: | No |
| Max Transaction Time: | 0.25 ms |

The [PMBUS_REVISION](#) command reads the revision of the PMBus to which the device is compliant.

Figure 7-66. (98h) PMBUS_REVISION Register Map

| | | | | | | | |
|--------|---|---|---|---------|---|---|---|
| 7 | 6 | 5 | 4 | 3 | 2 | 1 | 0 |
| R | R | R | R | R | R | R | R |
| PART_I | | | | PART_II | | | |

LEGEND: R/W = Read/Write; R = Read only

Table 7-66. Register Field Descriptions

| Bit | Field | Access | Reset | Description |
|-----|---------|--------|-------|---|
| 7:4 | PART_I | R | 0011b | 0011b: Compliant to PMBus Rev 1.3, Part 1 |
| 3:0 | PART_II | R | 0011b | 0011b: Compliant to PMBus Rev 1.3, Part 2 |

Attempts to write read-only commands cause the CML: invalid command (IVC) fault condition, the TPSM8S6B24S responds as follows:

- Set the CML bit in [STATUS_BYTE](#).
- Set the CML_IVC (bit 7) bit in [STATUS_CML](#).
- Notifying the host according to the PMBus 1.3.1 Part II specification section 10.9.3.

7.68 (99h) MFR_ID

| | |
|--------------------|---------------------------|
| CMD Address | 99h |
| Write Transaction: | Write Block |
| Read Transaction: | Read Block |
| Format: | Unsigned Binary (3 bytes) |
| Phased: | No |
| NVM Back-up: | EEPROM |

The **MFR_ID** command loads the unit with 3 bytes that contains the manufacturer's ID. This is typically done once at the time of manufacture.

Figure 7-67. (99h) MFR_ID Register Map

| | | | | | | | |
|--------|----|----|----|----|----|----|----|
| 23 | 22 | 21 | 20 | 19 | 18 | 17 | 16 |
| RW | RW | RW | RW | RW | RW | RW | RW |
| MFR_ID | | | | | | | |
| 15 | 14 | 13 | 12 | 11 | 10 | 9 | 8 |
| RW | RW | RW | RW | RW | RW | RW | RW |
| MFR_ID | | | | | | | |
| 7 | 6 | 5 | 4 | 3 | 2 | 1 | 0 |
| RW | RW | RW | RW | RW | RW | RW | RW |
| MFR_ID | | | | | | | |

LEGEND: R/W = Read/Write; R = Read only

Table 7-67. Register Field Descriptions

| Bit | Field | Access | Reset | Description |
|------|--------|--------|-------|---|
| 23:0 | MFR_ID | RW | NVM | 3 bytes of arbitrarily writable user-store NVM for manufacturer ID information. |

7.69 (9Ah) MFR_MODEL

| | |
|--------------------|---------------------------|
| CMD Address | 9Ah |
| Write Transaction: | Write Block |
| Read Transaction: | Read Block |
| Format: | Unsigned Binary (3 bytes) |
| Phased: | No |
| NVM Back-up: | EEPROM |

The [MFR_MODEL](#) command loads the unit with 3 bytes that contains the manufacturer’s ID. This is typically done once at the time of manufacture.

Figure 7-68. (9Ah) MFR_MODEL Register Map

| | | | | | | | |
|-----------|----|----|----|----|----|----|----|
| 23 | 22 | 21 | 20 | 19 | 18 | 17 | 16 |
| RW | RW | RW | RW | RW | RW | RW | RW |
| MFR_MODEL | | | | | | | |
| 15 | 14 | 13 | 12 | 11 | 10 | 9 | 8 |
| RW | RW | RW | RW | RW | RW | RW | RW |
| MFR_MODEL | | | | | | | |
| 7 | 6 | 5 | 4 | 3 | 2 | 1 | 0 |
| RW | RW | RW | RW | RW | RW | RW | RW |
| MFR_MODEL | | | | | | | |

LEGEND: R/W = Read/Write; R = Read only

Table 7-68. Register Field Descriptions

| Bit | Field | Access | Reset | Description |
|------|-----------|--------|-------|---|
| 23:0 | MFR_MODEL | RW | NVM | 3 bytes of arbitrarily writable user-store NVM for manufacturer model information |

7.70 (9Bh) MFR_REVISION

| | |
|--------------------|---------------------------|
| CMD Address | 9Bh |
| Write Transaction: | Write Block |
| Read Transaction: | Read Block |
| Format: | Unsigned Binary (3 bytes) |
| Phased: | No |
| NVM Back-up: | EEPROM |

The **MFR_REVISION** command loads the unit with 3 bytes that contains the power supply manufacturer’s revision number. This is typically done once at the time of manufacture.

Figure 7-69. (9Bh) MFR_REVISION Register Map

| | | | | | | | |
|---------|----|----|----|----|----|----|----|
| 23 | 22 | 21 | 20 | 19 | 18 | 17 | 16 |
| RW | RW | RW | RW | RW | RW | RW | RW |
| MFR_REV | | | | | | | |
| 15 | 14 | 13 | 12 | 11 | 10 | 9 | 8 |
| RW | RW | RW | RW | RW | RW | RW | RW |
| MFR_REV | | | | | | | |
| 7 | 6 | 5 | 4 | 3 | 2 | 1 | 0 |
| RW | RW | RW | RW | RW | RW | RW | RW |
| MFR_REV | | | | | | | |

LEGEND: R/W = Read/Write; R = Read only

Table 7-69. Register Field Descriptions

| Bit | Field | Access | Reset | Description |
|------|---------|--------|-------|--|
| 23:0 | MFR_REV | RW | NVM | 3 bytes of arbitrarily writable user-store NVM for manufacturer revision information |

7.71 (9Eh) MFR_SERIAL

| | |
|--------------------|---------------------------|
| CMD Address | 9Eh |
| Write Transaction: | Write Block |
| Read Transaction: | Read Block |
| Format: | Unsigned Binary (3 bytes) |
| Phased: | No |
| NVM Back-up: | EEPROM |

The [MFR_SERIAL](#) command loads the unit with 3 bytes that contains the power supply manufacturer’s serial number. This is typically done once at the time of manufacture.

Figure 7-70. (9Eh) MFR_SERIAL Register Map

| | | | | | | | |
|------------|----|----|----|----|----|----|----|
| 23 | 22 | 21 | 20 | 19 | 18 | 17 | 16 |
| RW | RW | RW | RW | RW | RW | RW | RW |
| MFR_SERIAL | | | | | | | |
| 15 | 14 | 13 | 12 | 11 | 10 | 9 | 8 |
| RW | RW | RW | RW | RW | RW | RW | RW |
| MFR_SERIAL | | | | | | | |
| 7 | 6 | 5 | 4 | 3 | 2 | 1 | 0 |
| RW | RW | RW | RW | RW | RW | RW | RW |
| MFR_SERIAL | | | | | | | |

LEGEND: R/W = Read/Write; R = Read only

Table 7-70. Register Field Descriptions

| Bit | Field | Access | Reset | Description |
|-------|------------|--------|-------|---|
| 23:00 | MFR_SERIAL | RW | NVM | Arbitrary 3-byte Serial Number assigned by manufacturer |

Note: Because the value for [MFR_SERIAL](#) is included in the NVM memory store used to calculate the [NVM_CHECKSUM](#), assigning a unique [MFR_SERIAL](#) value will also result in a unique [NVM_CHECKSUM](#) value.

7.72 (ADh) IC_DEVICE_ID

| | |
|--------------------|---------------------------|
| CMD Address | ADh |
| Write Transaction: | N/A |
| Read Transaction: | Read Block |
| Format: | Unsigned Binary (6 bytes) |
| Phased: | No |

The [IC_DEVICE_ID](#) command is used to either set or read the type or part number of an IC embedded within a PMBus that is used for the PMBus interface.

Figure 7-71. (ADh) IC_DEVICE_ID Register Map

| | | | | | | | |
|---------------------|----|----|----|----|----|----|----|
| 47 | 46 | 45 | 44 | 43 | 42 | 41 | 40 |
| R | R | R | R | R | R | R | R |
| IC_DEVICE_ID[47:40] | | | | | | | |
| 39 | 38 | 37 | 36 | 35 | 34 | 33 | 32 |
| R | R | R | R | R | R | R | R |
| IC_DEVICE_ID[39:32] | | | | | | | |
| 31 | 30 | 29 | 28 | 27 | 26 | 25 | 24 |
| R | R | R | R | R | R | R | R |
| IC_DEVICE_ID[31:24] | | | | | | | |
| 23 | 22 | 21 | 20 | 19 | 18 | 17 | 16 |
| R | R | R | R | R | R | R | R |
| IC_DEVICE_ID[23:16] | | | | | | | |
| 15 | 14 | 13 | 12 | 11 | 10 | 9 | 8 |
| R | R | R | R | R | R | R | R |
| IC_DEVICE_ID[15:8] | | | | | | | |
| 7 | 6 | 5 | 4 | 3 | 2 | 1 | 0 |
| R | R | R | R | R | R | R | R |
| IC_DEVICE_ID[7:0] | | | | | | | |

LEGEND: R/W = Read/Write; R = Read only

Table 7-71. Register Field Descriptions

| Bit | Field | Access | Reset | Description |
|------|--------------|--------|-----------|----------------------|
| 47:0 | IC_DEVICE_ID | R | See text. | See the table below. |

Table 7-72. IC_DEVICE_ID Values

| Byte Number (Bit Indices) | Byte 0 (7:0) | Byte 1 (15:8) | Byte 2 (23:16) | Byte 3 (31:24) | Byte 4 (39:32) | Byte 5 (47:40) |
|---------------------------|--------------|---------------|----------------|----------------|----------------|----------------|
| TPSM8S6B24S | 54h | 49h | 54h | 6Bh | 24h | 62h |

Attempts to write read-only commands cause the CML: invalid command (IVC) fault condition, TPSM8S6B24S responds as follows:

- Set the CML bit in [STATUS_BYTE](#).
- Set the CML_IVC (bit 7) bit in [STATUS_CML](#).
- Notifying the host according to the PMBus 1.3.1 Part II specification section 10.9.3.

7.73 (AEh) IC_DEVICE_REV

| | |
|--------------------|---------------------------|
| CMD Address | AEh |
| Write Transaction: | N/A |
| Read Transaction: | Read Block |
| Format: | Unsigned Binary (2 bytes) |
| Phased: | No |

The [IC_DEVICE_REV](#) command is used to either set or read the revision of the IC.

Figure 7-72. (AEh) IC_DEVICE_REV Register Field Descriptions

| | | | | | | | |
|---------------|----|----|----|-----------|----|---|---|
| 15 | 14 | 13 | 12 | 11 | 10 | 9 | 8 |
| R | R | R | R | R | R | R | R |
| MAJOR_REV | | | | MINOR_REV | | | |
| 7 | 6 | 5 | 4 | 3 | 2 | 1 | 0 |
| R | R | R | R | R | R | R | R |
| SUB_MINOR_REV | | | | | | | |

LEGEND: R/W = Read/Write; R = Read only

Attempts to write read-only commands cause the CML: invalid command (IVC) fault condition, the TPSM8S6B24S responds as follows:

- Set the CML bit in [STATUS_BYTE](#).
- Set the CML_IVC (bit 7) bit in [STATUS_CML](#).

Notifying the host according to the PMBus 1.3.1 Part II specification section 10.9.3.

7.74 (B1h) USER_DATA_01 (COMPENSATION_CONFIG)

| | |
|--------------------|---|
| CMD Address | B1h |
| Write Transaction: | Write Block |
| Read Transaction: | Read Block |
| Format: | Unsigned Binary (5 bytes) |
| Phased: | No |
| NVM Back-up: | EEPROM or Pin Detection |
| Updates: | Conversion Disable: on-the-fly. Conversion Enable: hardware update blocked. To update hardware after write while enabled, store to NVM with (15h) STORE_USER_ALL and (16h) RESTORE_USER_ALL or cycle AVIN below UVLO. |

Configure the control loop compensation.

Figure 7-73. (B1h) USER_DATA_01 (COMPENSATION_CONFIG) Register Map

| | | | | | | | |
|--------------|----|--------------|----|----|--------------|--------------|----|
| 39 | 38 | 37 | 36 | 35 | 34 | 33 | 32 |
| RW | RW | RW | RW | RW | RW | RW | RW |
| SEL_CZI[1:0] | | SEL_CPI[4:0] | | | | SEL_CZI_MUL | |
| 31 | 30 | 29 | 28 | 27 | 26 | 25 | 24 |
| R | RW | RW | RW | RW | RW | RW | RW |
| SEL_RVI[5:0] | | | | | SEL_CZI[3:2] | | |
| 23 | 22 | 21 | 20 | 19 | 18 | 17 | 16 |
| RW | RW | RW | RW | RW | RW | RW | RW |
| SEL_CZV[1:0] | | SEL_CPV[4:0] | | | | 0 | |
| 15 | 14 | 13 | 12 | 11 | 10 | 9 | 8 |
| RW | RW | RW | RW | RW | RW | RW | RW |
| SEL_RVV[5:0] | | | | | SEL_CZV[3:2] | | |
| 7 | 6 | 5 | 4 | 3 | 2 | 1 | 0 |
| RW | RW | RW | RW | RW | RW | RW | RW |
| 0 | 0 | SEL_GMV[1:0] | | 0 | 0 | SEL_GMI[1:0] | |

LEGEND: R/W = Read/Write; R = Read only

Table 7-73. Register Field Descriptions

| Bit | Field | Access | Reset | Description |
|-------------|-----------------|--------|-------|---|
| 25:24,39:38 | SEL_CZI[3:0] | RW | NVM | Selects the value of current loop integrating capacitor. $CZI = 6.66 \text{ pF} \times CZI_MUL \times 2^{SEL_GMI[1:0]} \times SEL_CZI[3:0]$ |
| 37:33 | SEL_CPI[4:0] | RW | NVM | Selects the value of current loop filter capacitor. $CPI = 3.2 \text{ pF} \times SEL_CPI[4:0]$ |
| 32 | SEL_CZI_M UL | RW | NVM | Selects the value of current loop integrating capacitor multiplier. 0b: CZI_MUL = 1 1b: CZI_MUL = 2 |
| 31:26 | SEL_RVI[5:0] | RW | NVM | Selects the value of current loop mid-band gain resistor. $RVI = 5 \text{ k}\Omega \times SEL_RVI[5:0]$ |
| 9:8, 23:22 | SEL_CZV[3:0] | RW | NVM | Selects the value of voltage loop integrating capacitor. $CZV = 125 \text{ pF} \times 2^{SEL_GMV[1:0]} \times SEL_CZV[3:0]$ |
| 21:17 | SEL_CPV[4:0] | RW | NVM | Selects the value of voltage loop filter capacitor. $CPV = 6.25 \text{ pF} \times SEL_CPV[4:0]$ |
| 16 | Reserved | RW | NVM | Reserved, set to 0b |
| 15:10 | SEL_RVV[5:0] | RW | NVM | Selects the value of voltage loop mid-band gain resistor. $RVV = 5 \text{ k}\Omega \times SEL_RVV[5:0]$ |

Table 7-73. Register Field Descriptions (continued)

| Bit | Field | Access | Reset | Description |
|-----|--------------|--------|-------|---|
| 7:6 | Reserved | RW | NVM | Reserved, set to 00b |
| 5:4 | SEL_GMV[1:0] | RW | NVM | Selects the value of voltage error transconductance. $GMV = 25 \mu S \times 2^{SEL_GMV[1:0]}$ |
| 3:2 | Reserved | RW | NVM | Reserved, set to 00b |
| 1:0 | SEL_GMI[1:0] | RW | NVM | Selects the value of current error transconductance. $GMI = 25 \mu S \times 2^{SEL_GMI[1:0]}$ |

(B1h) [USER_DATA_01 \(COMPENSATION_CONFIG\)](#) can be written to while output conversion is enabled, but updating those values to hardware will be blocked. To update the value used by the control loop:

- Disable conversion, then write to (B1h) [USER_DATA_01 \(COMPENSATION_CONFIG\)](#).
- Write to (B1h) [USER_DATA_01 \(COMPENSATION_CONFIG\)](#) while conversion is enabled, store PMBus values to NVM using (15h) [STORE_USER_ALL](#), clear the (B1h) [USER_DATA_01 \(COMPENSATION_CONFIG\)](#) bit in (EEh) [MFR_SPECIFIC_30 \(PIN_DETECT_OVERRIDE\)](#), then cycle AVIN or use the (16h) [RESTORE_USER_ALL](#) command.

Due to the complexity of translating the 5-byte HEX value of (B1h) [USER_DATA_01 \(COMPENSATION_CONFIG\)](#) into analog compensation values, users are recommended to use the tools available on the [TPSM8S6x24 product folder](#) such as the [TPSM8S6x24 Compensation and Pin-Strap Resistor Calculator](#) design tool.

7.75 (B5h) USER_DATA_05 (POWER_STAGE_CONFIG)

| | |
|-----------------------|---|
| CMD Address | B5h |
| Write Transaction: | Write Block (per PMBus Spec, even though 1 data byte) |
| Read Transaction: | Read Block (per PMBus Spec, even though 1 data byte) |
| Format: | Unsigned Binary (1 byte) |
| Phased: | No |
| NVM Back-up: | EEPROM |
| Updates: | On-the-fly |
| Max Transaction Time: | 1.0 ms |
| Max Action Delay: | 1.0 ms (not time critical) |

POWER_STAGE_CONFIG allows the user to adjust the VDD5 regulator voltage.

Figure 7-74. (B5h) USER_DATA_05 (POWER_STAGE_CONFIG) Register Map

| 7 | 6 | 5 | 4 | 3 | 2 | 1 | 0 |
|----------|----|----|----|----------|---|---|---|
| RW | RW | RW | RW | R | R | R | R |
| SEL_VDD5 | | | | Reserved | | | |

LEGEND: R/W = Read/Write; R = Read only

Table 7-74. Register Field Descriptions

| Bit | Field | Access | Reset | Description |
|-----|----------|--------|-------|---|
| 7:4 | SEL_VDD5 | RW | NVM | 3h: VDD5 = 3.9 V (Not Recommended for Production) 4h: VDD5 = 4.1 V 5h: VDD5 = 4.3 V 6h: VDD5 = 4.5 V 7h: VDD5 = 4.7 V 8h: VDD5 = 4.9 V 9h: VDD5 = 5.1 V Ah: VDD5 = 5.3 V Other: Invalid |
| 3:0 | Reserved | R | 0000b | Reserved. Set to 0000b. |

Setting 30h is not recommended for production use unless an external VDD5 voltage is provided because the 3.9-V LDO setting can result in a VDD5 voltage less than the VDD5 undervoltage lockout required to enable conversion and can result in the TPSM8S6B24S device being unable to enable conversion without an external VDD5 voltage.

7.76 (D0h) MFR_SPECIFIC_00 (TELEMETRY_CONFIG)

| | |
|--------------------|---------------------------|
| CMD Address | D0h |
| Write Transaction: | Write Block |
| Read Transaction: | Read Block |
| Format: | Unsigned Binary (6 bytes) |
| Phased: | No |
| NVM Back-up: | EEPROM |
| Updates: | On-The-Fly |

Configure the priority and averaging for each channel of the internal telemetry system.

The internal telemetry system shares a single ADC across each measurement. The priority setting allows the user to adjust the relative rate of measurement of each telemetry value. The ADC will first measure each value with a priority A value. With each pass through all priority A measurements, one priority B measurement will be taken. With each pass through all priority B measurements, one priority C measurement will be taken.

Example: If output voltage has priority A and output current has priority B, and temperature has priority C, the telemetry sequence will be VOUT IOUT VOUT TEMPERATURE VOUT IOUT VOUT TEMPERATURE.

Figure 7-75. (D0h) MFR_SPECIFIC_00 (TELEMETRY_CONFIG) Register Map

| | | | | | | | |
|-------------------|----|----------|----|----|--------------------|----|----|
| 47 | 46 | 45 | 44 | 43 | 42 | 41 | 40 |
| RW | RW | RW | RW | RW | RW | RW | RW |
| Reserved priority | | Reserved | | | Reserved averaging | | |
| 39 | 38 | 37 | 36 | 35 | 34 | 33 | 32 |
| RW | RW | RW | RW | RW | RW | RW | RW |
| Reserved priority | | Reserved | | | Reserved averaging | | |
| 31 | 30 | 29 | 28 | 27 | 26 | 25 | 24 |
| R | RW | RW | RW | RW | RW | RW | RW |
| RD_VI_PRI | | Reserved | | | RD_VI_AVG | | |
| 23 | 22 | 21 | 20 | 19 | 18 | 17 | 16 |
| RW | RW | RW | RW | RW | RW | RW | RW |
| RD_TMP_PRI | | Reserved | | | RD_TMP_AVG | | |
| 15 | 14 | 13 | 12 | 11 | 10 | 9 | 8 |
| RW | RW | RW | RW | RW | RW | RW | RW |
| RD_IO_PRI | | Reserved | | | RD_IO_AVG | | |
| 7 | 6 | 5 | 4 | 3 | 2 | 1 | 0 |
| RW | RW | RW | RW | RW | RW | RW | RW |
| RD_VO_PRI | | Reserved | | | RD_VO_AVG | | |

LEGEND: R/W = Read/Write; R = Read only

Table 7-75. Register Field Descriptions

| Bit | Field | Access | Reset | Description |
|-------|-----------|--------|-------|---|
| 47:40 | Not used | R | 00h | Reserved. Set values to 00h. |
| 39:32 | Not used | RW | NVM | Reserved. Set values to 03h. |
| 31:30 | RD_VI_PRI | RW | NVM | 00b: Assign priority A to input voltage telemetry. 01b: Assign priority B to input voltage telemetry. 10b: Assign priority C to input voltage telemetry. 11b: Disable input voltage telemetry. |

Table 7-75. Register Field Descriptions (continued)

| Bit | Field | Access | Reset | Description |
|-------|----------------|--------|-------|---|
| 31:24 | RD_VI_AVG | RW | NVM | 0d - 5d: READ_VIN Rolling average of 2 ^N samples 6d-7d: Invalid |
| 23:22 | RD_TMP_P RI | RW | NVM | 00b: Assign priority A to temperature telemetry. 01b: Assign priority B to temperature telemetry. 10b: Assign priority C to temperature telemetry. 11b: Invalid |
| 21:19 | Reserved | RW | NVM | Reserved. Set to 000b. |
| 18:16 | RD_TMP_A VG | RW | NVM | 0d - 5d: READ_TEMPERATURE_1 Rolling average of 2 ^N samples 6d-7d: Invalid |
| 15:14 | RD_IO_PRI | RW | NVM | 00b: Assign priority A to output current telemetry. 01b: Assign priority B to output current telemetry. 10b: Assign priority C to output current telemetry. 11b: Disable output current telemetry. |
| 13:11 | Reserved | RW | NVM | Reserved. Set to 000b. |
| 10:8 | RD_IO_AVG | RW | NVM | 0d - 5d: READ_IOUT Rolling average of 2 ^N samples 6d-7d: Invalid |
| 7:6 | RD_VO_PRI | RW | NVM | 00b: Assign priority A to output voltage telemetry. 01b: Assign priority B to output voltage telemetry. 10b: Assign priority C to output voltage telemetry. 11b: Disable output voltage telemetry. |
| 5:3 | Reserved | RW | NVM | Reserved. Set to 000b. |
| 2:0 | RD_VO_AV G | RW | NVM | 0d - 5d: READ_VOUT Rolling average of 2 ^N samples 6d-7d: Invalid |

Disabling any telemetry value will force the associated READ PMBus command to report 0000h.

Because temperature telemetry is used for Overtemperature Protection, temperature telemetry cannot be disabled.

7.77 (DAh) MFR_SPECIFIC_10 (READ_ALL)

| | |
|--------------------|----------------------------|
| CMD Address | DAh |
| Write Transaction: | NA |
| Read Transaction: | Read Block |
| Format: | Unsigned Binary (14 bytes) |
| Phased: | No |
| NVM Back-up: | No |

READ_ALL provides for a 14-byte BLOCK read of [STATUS_WORD](#) and telemetry values to improve bus utilization for polling by combining multiple READ functions into a single command, eliminating the need for multiple address and command code bytes.

Figure 7-76. (DAh) MFR_SPECIFIC_10 (READ_ALL) Register Map

| | | | | | | | |
|-------------------------|-----|-----|-----|-----|-----|-----|-----|
| 111 | 110 | 109 | 108 | 107 | 106 | 105 | 104 |
| R | R | R | R | R | R | R | R |
| Not Supported = 00h | | | | | | | |
| 103 | 102 | 101 | 100 | 99 | 98 | 97 | 96 |
| R | R | R | R | R | R | R | R |
| Not Supported = 00h | | | | | | | |
| 95 | 94 | 93 | 92 | 91 | 90 | 89 | 88 |
| R | R | R | R | R | R | R | R |
| Not Supported = 00h | | | | | | | |
| 87 | 86 | 85 | 84 | 83 | 82 | 81 | 80 |
| R | R | R | R | R | R | R | R |
| Not Supported = 00h | | | | | | | |
| 79 | 78 | 77 | 76 | 75 | 74 | 73 | 72 |
| R | R | R | R | R | R | R | R |
| READ_VIN (MSB) | | | | | | | |
| 71 | 70 | 69 | 68 | 67 | 66 | 65 | 64 |
| R | R | R | R | R | R | R | R |
| READ_VIN (LSB) | | | | | | | |
| 63 | 62 | 61 | 60 | 59 | 58 | 57 | 56 |
| R | R | R | R | R | R | R | R |
| READ_TEMPERATURE1 (MSB) | | | | | | | |
| 55 | 54 | 53 | 52 | 51 | 50 | 49 | 48 |
| R | R | R | R | R | R | R | R |
| READ_TEMPERATURE1 (LSB) | | | | | | | |
| 47 | 46 | 45 | 44 | 43 | 42 | 41 | 40 |
| R | R | R | R | R | R | R | R |
| READ_IOUT (MSB) | | | | | | | |
| 39 | 38 | 37 | 36 | 35 | 34 | 33 | 32 |
| R | R | R | R | R | R | R | R |
| READ_IOUT (LSB) | | | | | | | |
| 31 | 30 | 29 | 28 | 27 | 26 | 25 | 24 |

| | | | | | | | |
|-------------------------|----|----|----|----|----|----|----|
| R | R | R | R | R | R | R | R |
| READ_VOUT (MSB) | | | | | | | |
| 23 | 22 | 21 | 20 | 19 | 18 | 17 | 16 |
| R | R | R | R | R | R | R | R |
| READ_VOUT (LSB) | | | | | | | |
| 15 | 14 | 13 | 12 | 11 | 10 | 9 | 8 |
| R | R | R | R | R | R | R | R |
| STATUS_WORD (High Byte) | | | | | | | |
| 7 | 6 | 5 | 4 | 3 | 2 | 1 | 0 |
| R | R | R | R | R | R | R | R |
| STATUS_BYTE | | | | | | | |

LEGEND: R/W = Read/Write; R = Read only

Table 7-76. Register Field Descriptions

| Bit | Field | Access | Reset | Description |
|--------|-------------------|--------|-------|---|
| 111:96 | READ_DUTY_CYCLE | R | 0000h | Not supported = 0000h |
| 95:80 | READ_IIN | R | 0000h | Not supported = 0000h |
| 79:64 | READ_VIN | R | 0000h | READ_VIN (Linear Format) |
| 63:48 | READ_TEMPERATURE1 | R | 0000h | READ_TEMPERATURE1 (Linear Format) |
| 47:32 | READ_IOUT | R | 0000h | READ_IOUT (Linear Format) |
| 31:16 | READ_VOUT | R | 0000h | READ_VOUT (ULinear16 Format, Per VOUT_MODE) |
| 15:0 | STATUS_WORD | R | 0000h | STATUS_WORD |

Attempts to write read-only commands cause the CML: invalid command (IVC) fault condition, the TPSM8S6B24S responds as follows:

- Set the CML bit in [STATUS_BYTE](#).
- Set the CML_IVC (bit 7) bit in [STATUS_CML](#).

Notifying the host according to the PMBus 1.3.1 Part II specification section 10.9.3.

7.78 (DBh) MFR_SPECIFIC_11 (STATUS_ALL)

| | |
|--------------------|---------------------------|
| CMD Address | DBh |
| Write Transaction: | NA |
| Read Transaction: | Read Block |
| Format: | Unsigned Binary (7 bytes) |
| Phased: | No |
| NVM Back-up: | No |

STATUS_ALL provides for a 7-byte block of STATUS command codes. This can reduce bus utilization to read multiple faults.

Figure 7-77. (DBh) MFR_SPECIFIC_11 (STATUS_ALL) Register Map

| | | | | | | | |
|--------------------|----|----|----|----|----|----|----|
| 55 | 54 | 53 | 52 | 51 | 50 | 49 | 48 |
| R | R | R | R | R | R | R | R |
| STATUS_MFR | | | | | | | |
| 47 | 46 | 45 | 44 | 43 | 42 | 41 | 40 |
| R | R | R | R | R | R | R | R |
| STATUS_OTHER | | | | | | | |
| 39 | 38 | 37 | 36 | 35 | 34 | 33 | 32 |
| R | R | R | R | R | R | R | R |
| STATUS_CML | | | | | | | |
| 31 | 30 | 29 | 28 | 27 | 26 | 25 | 24 |
| R | R | R | R | R | R | R | R |
| STATUS_TEMPERATURE | | | | | | | |
| 23 | 22 | 21 | 20 | 19 | 18 | 17 | 16 |
| R | R | R | R | R | R | R | R |
| STATUS_INPUT | | | | | | | |
| 15 | 14 | 13 | 12 | 11 | 10 | 9 | 8 |
| R | R | R | R | R | R | R | R |
| STATUS_IOUT | | | | | | | |
| 7 | 6 | 5 | 4 | 3 | 2 | 1 | 0 |
| R | R | R | R | R | R | R | R |
| STATUS_VOUT | | | | | | | |

LEGEND: R/W = Read/Write; R = Read only

Table 7-77. Register Field Descriptions

| Bit | Field | Access | Reset | Description |
|-------|--------------------|--------|----------------|--------------------|
| 55:48 | STATUS_MFR | R | Current Status | STATUS_MFR |
| 47:40 | STATUS_OTHER | R | Current Status | STATUS_OTHER |
| 39:32 | STATUS_CML | R | Current Status | STATUS_CML |
| 31:24 | STATUS_TEMPERATURE | R | Current Status | STATUS_TEMPERATURE |

Table 7-77. Register Field Descriptions (continued)

| Bit | Field | Access | Reset | Description |
|-------|--------------|--------|----------------|--------------|
| 23:16 | STATUS_INPUT | R | Current Status | STATUS_INPUT |
| 15:8 | STATUS_IOUT | R | Current Status | STATUS_IOUT |
| 7:0 | STATUS_VOUT | R | Current Status | STATUS_VOUT |

Attempts to write read-only commands cause the CML: invalid command (IVC) fault condition, the TPSM8S6B24S responds as follows:

- Set the CML bit in [STATUS_BYTE](#).
- Set the CML_IVC (bit 7) bit in [STATUS_CML](#).
- Notifying the host according to the PMBus 1.3.1 Part II specification section 10.9.3.

Writes to STATUS_ALL do not clear asserted status bits.

7.79 (DCh) MFR_SPECIFIC_12 (STATUS_PHASE)

| | |
|--------------------|---------------------------|
| CMD Address | DCh |
| Write Transaction: | Write Word |
| Read Transaction: | Read Word |
| Format: | Unsigned Binary (2 bytes) |
| Phased: | Yes |
| Updates: | On-the-fly |
| NVM Back-up: | No |

When **PHASE** = FFh or 80h, reads to this command return a data word detailing which phases have experienced fault conditions. When **PHASE** != FFh, reads to this command return a data word detailing which fault(s) the current PHASE has experienced. PHASE number assignment is per PHASE_CONFIG. Bits corresponding to unused (unassigned or disabled) phase numbers are always equal to 0b.

Figure 7-78. (DCh) MFR_SPECIFIC_12 (STATUS_PHASE)

| | | | | | | | | | | | | | | | |
|----|----|----|----|----|----|----|----|----|----|----|----|-----|-----|-----|-----|
| 15 | 14 | 13 | 12 | 11 | 10 | 9 | 8 | 7 | 6 | 5 | 4 | 3 | 2 | 1 | 0 |
| R | R | R | R | RW | RW | RW | RW | RW | RW | RW | RW | RW | RW | RW | RW |
| 0 | 0 | 0 | 0 | 0 | 0 | 0 | 0 | 0 | 0 | 0 | 0 | PH3 | PH2 | PH1 | PH0 |

LEGEND: R/W = Read/Write; R = Read only

Table 7-78. Register Field Descriptions

| Bit | Field | Access | Reset | Description |
|------|----------|--------|-------|--|
| 15:4 | Reserved | R | 0b | Reserved |
| 3 | PH3 | RW | 0b | 0b: The TPSM8S6B24S assigned to PHASE = 3d has NOT experienced a fault. 1b: The TPSM8S6B24S assigned to PHASE = 3d has experienced a fault. Set PHASE = 3d, and read STATUS_WORD or STATUS_ALL for more information. |
| 2 | PH2 | RW | 0b | 0b: The TPSM8S6B24S assigned to PHASE = 2d has NOT experienced a fault. 1b: The TPSM8S6B24S assigned to PHASE = 2d has experienced a fault. Set PHASE = 2d, and read STATUS_WORD or STATUS_ALL for more information. |
| 1 | PH1 | RW | 0b | 0b: The TPSM8S6B24S assigned to PHASE = 1d has NOT experienced a fault. 1b: The TPSM8S6B24S assigned to PHASE = 1d has experienced a fault. Set PHASE = 1d, and read STATUS_WORD or STATUS_ALL for more information. |
| 0 | PH0 | RW | 0b | 0b: The TPSM8S6B24S assigned to PHASE = 0d has NOT experienced a fault. 1b: The TPSM8S6B24S assigned to PHASE = 0d has experienced a fault. Set PHASE = 0d, and read STATUS_WORD or STATUS_ALL for more information. |

7.80 (E3h) MFR_SPECIFIC_19 (PGOOD_CONFIG)

| | |
|--------------------|---|
| CMD Address | E3h |
| Write Transaction: | Write Word |
| Read Transaction: | Read Word |
| Format | Unsigned Word |
| Phased: | No |
| NVM Backup: | EEPROM or Pin Detect |
| Updates: | Conversion Disable: see below. Conversion Enable: Read-Only |

Figure 7-79. (E3h) MFR_SPECIFIC_19 (PGOOD_CONFIG) Register Map

| | | | | | | | |
|----------------------|--------|--------|--------|---------------------|--------|----------|----------|
| 15 | 14 | 13 | 12 | 11 | 10 | 9 | 8 |
| R | R | R | R | R | R | R | R |
| PGOOD_OFF_DELAY[3:0] | | | | PGOOD_ON_DELAY[3:0] | | | |
| 7 | 6 | 5 | 4 | 3 | 2 | 1 | 0 |
| R | R | R | R | RW | RW | RW | RW |
| pgmOVF | pgmOVW | pgmUVW | pgmUVF | pgmOCW | pgmOCF | pgmINOVW | pgmINOVF |

LEGEND: R/W = Read/Write; R = Read only

Table 7-79. Register Field Descriptions

| Bit | Field | Access | Reset | Description |
|-------|------------------------------|--------|-------|--|
| 15:12 | PGOOD_OF F_DELAY[3: 0] | RW | NVM | Sets Delay from the detection of an unmasked Fault or Warning event to the assertion of PGOOD low. 0d: Delay PGOOD high-low 1 PWM CLK 1d-15d: Delay PGOOD high-low 2 ^{N+1} PWM CLKs |
| 11:8 | PGOOD_O N_DELAY[3: 0] | RW | NVM | Sets Delay from the detection of no unmasked Fault or Warning events to the release of PGOOD low. 0d: Delay PGOOD low-high to 1 PWM CLK 1d-15d: Delay PGOOD low-high 2 ^{N+1} PWM CLKs |
| 7 | pgmOVF | RW | NVM | 0b: Output Overvoltage Fault can assert PGOOD low. 1b: Output Overvoltage Fault cannot assert PGOOD low. |
| 6 | pgmOVW | RW | NVM | 0b: Output Overvoltage Warning can assert PGOOD low. 1b: Output Overvoltage Warning cannot assert PGOOD low. |
| 5 | pgmUVF | RW | NVM | 0b: Output Undervoltage Fault can assert PGOOD low. 1b: Output Undervoltage Fault cannot assert PGOOD low. |
| 4 | pgmUVW | RW | NVM | 0b: Output Undervoltage Warning can assert PGOOD low. 1b: Output Undervoltage Warning cannot assert PGOOD low. |
| 3 | pgmOCW | RW | NVM | 0b: Output Overcurrent Warning can assert PGOOD low. 1b: Output Overcurrent Warning cannot assert PGOOD low. |
| 2 | pgmOCF | RW | NVM | 0b: Output Overcurrent Fault can assert PGOOD low. 1b: Output Overcurrent Fault cannot assert PGOOD low. |
| 1 | pgmINOVW | RW | NVM | 0b: Input Overvoltage Warning can assert PGOOD low. 1b: Input Overvoltage Warning cannot assert PGOOD low. |
| 0 | pgmINOVF | RW | NVM | 0b: Input Overvoltage Fault can assert PGOOD low. 1b: Input Overvoltage Fault cannot assert PGOOD low. |

Power Good indicates the status of the converter. (E3h) MFR_SPECIFIC_19 (PGOOD_CONFIG) provides control of the delays asserting and releasing Power Good. Power Good is always low while conversion is

disabled, during (60h) [TON_DELAY](#), (61h) [TON_RISE](#), (65h) [TOFF_FALL](#), and during a fault shut-down or hiccup delay. [PGOOD_OFF_DELAY](#) is bypassed during (65h) [TOFF_FALL](#) and during a fault shut-down or hiccup. Power Good will still be asserted on an unmasked fault event unless that fault's [RESPONSE](#) command is configured to Continue Operating without Interruption.

[PGOOD_OFF_DELAY](#) and [PGOOD_ON_DELAY](#) are sensed and timed independently from each other. If [PGOOD_ON_DELAY](#) is less than [PGOOD_OFF_DELAY](#) and an unmasked fault or warning event lasts less than $\text{PGOOD_OFF_DELAY} - \text{PGOOD_ON_DELAY}$, Power Good will not be asserted low during the fault or warning events.

7.81 (E4h) MFR_SPECIFIC_20 (SYNC_CONFIG)

| | |
|--------------------|----------------------|
| CMD Address | E4h |
| Write Transaction: | Write Byte |
| Read Transaction: | Read Byte |
| Format: | Unsigned Binary |
| Phased: | No |
| NVM Back-up: | EEPROM or Pin Detect |
| Updates: | On-the-fly |

Figure 7-80. (E4h) MFR_SPECIFIC_20 (SYNC_CONFIG) Register Map

| | | | | | | | |
|----------|----|-----------|--------|----|----|----|----|
| 7 | 6 | 5 | 4 | 3 | 2 | 1 | 0 |
| RW | RW | RW | RW | RW | RW | RW | RW |
| SYNC_DIR | | SYNC_EDGE | 10000b | | | | |

LEGEND: R/W = Read/Write; R = Read only

Table 7-80. Register Field Descriptions

| Bit | Field | Access | Reset | Description |
|-----|---------------|--------|--------|---|
| 7:6 | SYNC_DIR | RW | NVM | 00b: SYNC disabled 01b: Enable SYNC OUT. 10b: Enable SYNC IN. 11b: Enable Auto Detect SYNC |
| 5 | SYNC_EDGE | RW | NVM | 0b: Synchronize to falling edge of SYNC. 1b: Synchronize to rising edge of SYNC. |
| 4:0 | Not supported | RW | 10000b | Not supported. Set to 10000b. |

Attempts to write (E4h) MFR_SPECIFIC_E4 (SYNC_CONFIG) to any value outside those specified as valid will be considered invalid/unsupported data and cause the TPSM8S6B24S to respond by flagging the appropriate status bits and notifying the host according to the PMBus 1.3.1 Part II specification section 10.9.3.

When SYNC_DIR = 11b - Enable Auto Detect, the TPSM8S6B24S will select SYNC_IN or SYNC_OUT based on the state of the SYNC pin when the Enable Condition, as defined by ON_OFF_CONFIG is met. If the SYNC_PIN is >2 V or switching faster than 75% of FRQUENCY_SWITCH, SYNC_IN shall be enabled. If the SYNC_PIN is less than 0.8 V and not switching, SYNC_OUT will be selected.

Changing SYNC_DIR from SYNC_IN to SYNC_OUT on a multi-phase stack while conversion is enabled but prevented due to a SYNC_FAULT will result in the internal oscillator operating at 70% of its nominal frequency. Since this is out-side of the compliant SYNC_IN range of the Loop Follower device, this can result in unsynchronized operation.

7.82 (ECh) MFR_SPECIFIC_28 (STACK_CONFIG)

| | |
|--------------------|---|
| CMD Address | ECh |
| Write Transaction: | Write Word |
| Read Transaction: | Read Word |
| Format | Unsigned Word |
| Phased: | No |
| NVM Backup: | EEPROM or Pin Detect |
| Updates: | Conversion Disable: see below. Conversion Enable: Read-Only |

Figure 7-81. (ECh) MFR_SPECIFIC_28 (STACK_CONFIG) Register Map

| | | | | | | | |
|----------------|----|----|----|----------|----|----|----|
| 15 | 14 | 13 | 12 | 11 | 10 | 9 | 8 |
| R | R | R | R | R | R | R | R |
| Reserved 0000h | | | | | | | |
| 7 | 6 | 5 | 4 | 3 | 2 | 1 | 0 |
| R | R | R | R | RW | RW | RW | RW |
| BCX_START | | | | BCX_STOP | | | |

LEGEND: R/W = Read/Write; R = Read only

Table 7-81. Register Field Descriptions

| Bit | Field | Access | Reset | Description |
|------|---------------|--------|-------|---|
| 15:8 | Not supported | R | 0000h | Reserved. Equal 0000h. |
| 7:4 | BCX_START | R | 0000b | BCX_Address for Stack Loop Controller. Equal to 0000b. |
| 3:0 | BCX_STOP | RW | NVM | 0000b: Stand Alone, Single-phase 0001b: One-Loop Follower, 2-phase 0010b: Two Loop Followers, 3-phase 0011b: Three Loop Followers, 4-phase Other: Not supported / Invalid |

Attempts to write (ECh) MFR_SPECIFIC_28 (STACK_CONFIG) to any value outside those specified as valid, will be considered invalid/unsupported data and cause TPSM8S6B24S to respond by flagging the appropriate status bits and notifying the host according to the PMBus 1.3.1 Part II specification section 10.9.3.

7.83 (EDh) MFR_SPECIFIC_29 (MISC_OPTIONS)

| | |
|--------------------|---------------------------|
| CMD Address | EDh |
| Write Transaction: | Write Word |
| Read Transaction: | Read Word |
| Format: | Unsigned Binary (2 bytes) |
| Phased: | No |
| NVM Backup: | EEPROM |
| Updates: | on-the-fly |

MFR_SPECIFIC_29 is used to configure miscellaneous settings.

Figure 7-82. (EDh) MFR_SPECIFIC_29 (MISC_OPTIONS) Register Map

| | | | | | | | |
|----------|-----------|-----------|----------|----------|----------|----------|----------|
| 15 | 14 | 13 | 12 | 11 | 10 | 9 | 8 |
| RW | RW | RW | RW | RW | RW | RW | RW |
| PEC | RESET_CNT | RESET_FLT | RESET# | Reserved | Reserved | Reserved | Reserved |
| 7 | 6 | 5 | 4 | 3 | 2 | 1 | 0 |
| RW | RW | RW | RW | RW | RW | RW | RW |
| Reserved | Reserved | Reserved | Reserved | PULLUP# | FLT_CNT | ADC_RES | |

LEGEND: R/W = Read/Write; R = Read only

Table 7-82. Register Field Descriptions

| Bit | Field | Access | Reset | Description |
|------|-----------|--------|-------|---|
| 15 | PEC | RW | NVM | 0b: PEC Optional. Transactions received without PEC byte will be processed. 1b: PEC Required. Transactions received without PEC byte will be rejected as invalid PEC. |
| 14 | RESET_CNT | RW | NVM | 0b: VOUT_COMMAND will be unchanged following a shutdown. 1b: VOUT_COMMAND will be changed to VBOOT on a Control or OPERATION shutdown. |
| 13 | RESET_FLT | RW | NVM | 0b: VOUT_COMMAND will be unchanged following a Fault Restart. 1b: VOUT_COMMAND will be changed to VBOOT on Restart from a Fault when Fault Retry is set to Retry after Fault. |
| 12 | RESET# | RW | NVM | Sets the function of the PGD/RST pin. 0b: PGD/RST functions as PGOOD and internal pullup is disabled. 1b: PGD/RST functions as RESET# and internal pullup is set by bit 3 PULLUP#. |
| 11:3 | Reserved | RW | NVM | Reserved. Must be 00000000b |
| 3 | PULLUP# | RW | NVM | Sets the pullup of the PGD/RST pin when RESET# = 1b. 0b: Internal pullup of PGD/RST pin enabled when RESET# = 1b. 1b: Internal pullup of PGD/RESET_B pin disabled when RESET# = 1b. |
| 2 | FLT_CNT | RW | NVM | 0b: Fault Counter counts down one cycle on PWM cycle without fault 1b: Fault Counter resets counter to 0 on PWM cycle without fault |
| 1:0 | ADC_RES | RW | NVM | ADC Resolution Control 00b: Set ADC Resolution to 12-bit 01b: Set ADC Resolution to 10-bit 10b: Set ADC Resolution to 8-bit 11b: Set ADC Resolution to 6-bit |

7.84 (EEh) MFR_SPECIFIC_30 (PIN_DETECT_OVERRIDE)

| | |
|--------------------|--|
| CMD Address | EEh |
| Write Transaction: | Write Word |
| Read Transaction: | Read Word |
| Format: | Unsigned Binary (1 byte) |
| Phased: | No |
| NVM Backup: | EEPROM |
| Updates: | on-the-fly (pin detection occurs on POR only). |

PMBUS specified that NVM (Default or User) stored values will overwrite Pin Programmed Values. Setting a “1” in each bit of this register will prevent DEFAULT or USER STORE values from overwriting the Pin-Programmed Value associated that bit.

Figure 7-83. (EEh) MFR_SPECIFIC_30 (PIN_DETECT_OVERRIDE) Register Map

| | | | | | | | |
|----------|----|------------|--------------|-------------|----------|-------------|---------|
| 15 | 14 | 13 | 12 | 11 | 10 | 9 | 8 |
| RW | RW | RW | RW | RW | RW | RW | RW |
| Reserved | | | STACK_CONFIG | SYNC_CONFIG | Reserved | COMP_CONFIG | ADDRESS |
| 7 | 6 | 5 | 4 | 3 | 2 | 1 | 0 |
| RW | RW | RW | RW | RW | RW | RW | RW |
| Reserved | | INTERLEAVE | Reserved | TON_RISE | IOUT_OC | FREQ | VOUT |

LEGEND: R/W = Read/Write; R = Read only

Table 7-83. Register Field Descriptions

| Bit | Field | Access | Reset | Description |
|-------|--------------|--------|-------|---|
| 15:13 | Reserved | RW | NVM | Not used and set to 000b. |
| 12 | STACK_CONFIG | RW | NVM | 0b: At power-up or RESTORE, STACK_CONFIG will be reset to NVM value. 1b: At power-up or RESTORE, STACK_CONFIG will be reset to pin-detected value. |
| 11 | SYNC_CONFIG | RW | NVM | 0b: At power-up or RESTORE, SYNC_CONFIG will be reset to NVM value. 1b: At power-up or RESTORE, SYNC_CONFIG will be reset to pin-detected value. |
| 10 | Reserved | RW | NVM | Not used and set to 0b or 1b. |
| 9 | COMP_CONFIG | RW | NVM | 0b: At power-up or RESTORE, COMPENSATION_CONFIG will be reset to NVM value. 1b: At power-up or RESTORE, COMPENSATION_CONFIG will be reset to pin-detected value. |
| 8 | ADDRESS | RW | NVM | 0b: At power-up or RESTORE, Loop Follower_ADDRESS will be reset to NVM value. 1b: At power-up or RESTORE, Loop Follower_ADDRESS will be reset to pin-detected value. |
| 7:6 | Reserved | RW | NVM | Not used and set to 00b. |
| 5 | INTERLEAVE | RW | NVM | 0b: At power-up or RESTORE, INTERLEAVE will be reset to NVM value. 1b: At power-up or RESTORE, INTERLEAVE will be reset to pin-detected value. |
| 4 | Reserved | RW | NVM | Not used and set to 0b or 1b. |
| 3 | TON_RISE | RW | NVM | 0b: At power-up or RESTORE, TON_RISE will be reset to NVM value. 1b: At power-up or RESTORE, TON_RISE will be reset to pin-detected value. |
| 2 | IOUT_OC | RW | NVM | 0b: At power-up or RESTORE, IOUT_OC_FAULT_LIMIT and IOUT_OC_WARN_LIMIT will be reset to NVM value. 1b: At power-up or RESTORE, IOUT_OC_FAULT_LIMIT and IOUT_OC_WARN_LIMIT will be reset to pin-detected value. |
| 1 | FREQ | RW | NVM | 0b: At power-up or RESTORE, FREQUENCY_SWITCH will be reset to NVM value. 1b: At power-up or RESTORE, FREQUENCY_SWITCH will be reset to pin-detected value. |

Table 7-83. Register Field Descriptions (continued)

| Bit | Field | Access | Reset | Description |
|-----|-------|--------|-------|---|
| 0 | VOUT | RW | NVM | 0b: At power-up or RESTORE, VOUT_COMMAND, VOUT_SCALE_LOOP, VOUT_MAX, and VOUT_MIN will be reset to NVM value. 1b: At power-up or RESTORE, VOUT_COMMAND, VOUT_SCALE_LOOP, VOUT_MAX, and VOUT_MIN will be reset to pin-detected value. |

PIN_DETECT_OVERRIDE allows the user to force Pin Detected values to override the User Store NVM value for various PMBus commands during Power On Reset and RESTORE_USER_ALL.

7.85 (EFh) MFR_SPECIFIC_31 (DEVICE_ADDRESS)

| | |
|--------------------|---------------------------|
| CMD Address | EFh |
| Write Transaction: | Write Byte |
| Read Transaction: | Read Byte |
| Format: | Unsigned Binary (1 bytes) |
| Phased: | No |
| NVM Backup: | EEPROM or Pin Detect |
| Updates: | on-the-fly |

The DEVICE_ADDRESS command can be used to program or read-back the device address of digital communication. Note, when a Loop Follower address is updated, the TPSM8S6B24S starts responding to the new address immediately.

Figure 7-84. (EFh) MFR_SPECIFIC_31 (Loop Follower_ADDRESS) Register Map

| | | | | | | | |
|---|------------|----|----|----|----|----|----|
| 7 | 6 | 5 | 4 | 3 | 2 | 1 | 0 |
| R | RW | RW | RW | RW | RW | RW | RW |
| 0 | ADDR_PMBUS | | | | | | |

LEGEND: R/W = Read/Write; R = Read only

Table 7-84. Register Field Descriptions

| Bit | Field | Access | Reset | Description |
|-----|---------------|--------|------------------|-----------------------------|
| 7 | Not supported | R | 0b | Not supported. Set to b'0. |
| 6:0 | ADDR_PMBUS | RW | NVM/ Pinstrap | PMBus Loop Follower address |

There are a number of Loop Follower address values which are reserved in the SMBus specification. The following reserved addresses are invalid and can not be programmed:

- 0x0C
- 0x28
- 0x37
- 0x61

7.86 (F0h) MFR_SPECIFIC_32 (NVM_CHECKSUM)

| | |
|--------------------|---|
| CMD Address | F0h |
| Write Transaction: | NA |
| Read Transaction: | Read Word |
| Format: | Unsigned Binary (2 bytes) |
| Phased: | No |
| NVM Back-up: | EEPROM |
| Updates: | At boot-up, and following NVM Store/Restore operations. |

NVM_CHECKSUM reports the CRC-16 (polynomial 0x8005) checksum for the current NVM settings.

Figure 7-85. (F0h) MFR_SPECIFIC_32 (NVM_CHECKSUM) Register Map

| | | | | | | | |
|--------------|----|----|----|----|----|---|---|
| 15 | 14 | 13 | 12 | 11 | 10 | 9 | 8 |
| R | R | R | R | R | R | R | R |
| NVM_CHECKSUM | | | | | | | |
| 7 | 6 | 5 | 4 | 3 | 2 | 1 | 0 |
| R | R | R | R | R | R | R | R |
| NVM_CHECKSUM | | | | | | | |

LEGEND: R/W = Read/Write; R = Read only

Table 7-85. Register Field Descriptions

| Bit | Field | Access | Reset | Description |
|------|--------------|--------|------------------|----------------------------|
| 15:0 | NVM_CHECKSUM | R | Per NVM Settings | CRC16 for EEPROM settings. |

7.87 (F1h) MFR_SPECIFIC_33 (SIMULATE_FAULT)

| | |
|--------------------|---------------------------|
| CMD Address | F1h |
| Write Transaction: | Write Word |
| Read Transaction: | Read Word |
| Format: | Unsigned Binary (2 bytes) |
| Phased: | Yes |
| NVM Back-up: | No |

SIMULATE_FAULT will allow the user to simulate fault and warning conditions by triggering the output of the detection circuit for that controls it. Multiple faults and or can be simulated at once.

Figure 7-86. (F1h) MFR_SPECIFIC_F1 (SIMULATE_FAULT) Register Map

| | | | | | | | |
|---------------|--------------|----------|--------------|-------------|-------------|--------------|--------------|
| 15 | 14 | 13 | 12 | 11 | 10 | 9 | 8 |
| W/R | W/R | W/R | W/R | W/R | W/R | W/R | W/R |
| FAULT_PERSIST | SIM_TEMP_OTF | Reserved | SIM_IOUT_OCF | SIM_VIN_OFF | SIM_VIN_OVF | SIM_VOUT_UVF | SIM_VOUT_OVF |
| 7 | 6 | 5 | 4 | 3 | 2 | 1 | 0 |
| W/R | W/R | W/R | W/R | W/R | W/R | W/R | W/R |
| WARN_PERSIST | Reserved | Reserved | SIM_IOUT_OCW | SIM_VIN_UVW | Reserved | SIM_VOUT_UVW | SIM_VOUT_OVW |

LEGEND: R/W = Read/Write; R = Read only

Table 7-86. Register Field Descriptions

| Bit | Field | Access | Reset | Description |
|-----|---------------|--------|------------------|--|
| 15 | FAULT_PERSIST | W/R | 0b | 0b: Simulated faults are automatically removed after one fault response. 1b: Simulated faults persist until SIMULATE_FAULTS is written again. |
| 14 | SIM_TEMP_OTF | W/R | 0b | 0b: No change 1b: Simulate overtemperature fault |
| 13 | Reserved | W/R | 0b | 0b: No change 1b: Not used |
| 12 | SIM_IOUT_OCF | W/R | 0b | 0b: No change 1b: Simulate output current overcurrent fault. |
| 11 | SIM_VIN_OFF* | W/R | 0b | 0b: No change 1b: Simulate PVIN undervoltage lockout. |
| 10 | SIM_VIN_OVF | W/R | 0b | 0b: No change 1b: Simulate PVIN overvoltage fault. |
| 9 | SIM_VOUT_UVF | W/R | 0b | 0b: No change 1b: Simulate VOUT undervoltage fault. |
| 8 | SIM_VOUT_OVF* | W/R | 0b | 0b: No change 1b: Simulate VOUT overvoltage fault. |
| 7 | WARN_PERSIST | W/R | Default Settings | 0b: Simulated warnings are automatically removed after one Fault response. 1b: Simulated warnings persist until SIMULATE_FAULTS is written again. |
| 6 | Reserved | W/R | Default Settings | 0b: No change 1b: Not used |
| 5 | Reserved | W/R | Default Settings | 0b: No change 1b: Not used |
| 4 | SIM_IOUT_OCW | W/R | Default Settings | 0b: No change 1b: Simulate output current overcurrent warning. |
| 3 | SIM_VIN_UVW | W/R | Default Settings | 0b: No change 1b: Simulate PVIN undervoltage warning. |
| 2 | Reserved | W/R | Default Settings | 0b: No change 1b: Not used |

Table 7-86. Register Field Descriptions (continued)

| Bit | Field | Access | Reset | Description |
|-----|--------------|--------|------------------|--|
| 1 | SIM_VOUT_UVW | W/R | Default Settings | 0b: No change 1b: Simulate VOUT undervoltage warning. |
| 0 | SIM_VOUT_OVW | W/R | Default Settings | 0b: No change, 1b: Simulate VOUT overvoltage warning. |

*Only SIM_VIN_OFF and SIM_VOUT_OVF are allowed to trigger their analog comparator while conversion is disabled. All other faults, including SIM_TEMP_OTF and SIM_VIN_OVF will only simulate while conversion is enabled to allow these faults to simulate repeated shut-down and restart responses when FAULT_PERSIST is selected.

7.88 (FAh) MFR_SPECIFIC_42 (PASSKEY)

| | |
|--------------------|---------------------------|
| CMD Address | FAh |
| Write Transaction: | Write Word |
| Read Transaction: | Read Word |
| Format: | Unsigned Binary (2 bytes) |
| Phased: | No |
| NVM Back-up: | EEPROM |
| Updates: | At Boot-up |

PASSKEY sets a User Programmable 16-bit passkey to disable write access to EXT_WRITE_PROTECT and User Store Non-Volatile Memory (NVM). When PASSKEY is set to 0000h, access to STORE_USER_ALL is enabled and writes to PASSKEY will update the active register value for PASSKEY. When PASSKEY is set to a value other than 0000h during boot-up, write access to EXT_WRITE_PROTECT and STORE_USER_ALL is disabled until the 16-bit word stored in NVM at boot-up is written to PASSKEY.

If 3 writes to PASSKEY are received that do not match the passkey without receiving a write that does match the passkey, PASSKEY access will be locked and all future writes to PASSKEY will be treated as invalid until the device receives a Power On Reset

To protect against unauthorized access to PASSKEY, reading PASSKEY will not respond with the passkey value but a fixed 16-bit word response based on the state of the PASSKEY

1. 0000h - PASSKEY is Unlocked
2. 000Fh - PASSKEY is Locked and no invalid writes have been made
3. 001Fh - PASSKEY is Locked and one invalid write has been made
4. 002Fh - PASSKEY is Locked and two invalid writes have been made
5. 00FFh - PASSKEY is Locked and three or more invalid writes have been made

Figure 7-87. (FAh) MFR_SPECIFIC_42 (NVM_LOCK) Register Map

| | | | | | | | |
|---------|----|----|----|----|----|----|----|
| 15 | 14 | 13 | 12 | 11 | 10 | 9 | 8 |
| RW | RW | RW | RW | RW | RW | RW | RW |
| PASSKEY | | | | | | | |
| 7 | 6 | 5 | 4 | 3 | 2 | 1 | 0 |
| RW | RW | RW | RW | RW | RW | RW | RW |
| PASSKEY | | | | | | | |

LEGEND: R/W = Read/Write; R = Read only

Table 7-87. Register Field Descriptions

| Bit | Field | Access | Reset | Description |
|------|---------|--------|-------|---|
| 15:0 | PASSKEY | RW | NVM | Write: PASSKEY passkey Read: <ul style="list-style-type: none"> • 0000h - PASSKEY is Unlocked • 000Fh - PASSKEY is Locked and no invalid writes have been made • 001Fh - PASSKEY is Locked and one invalid write has been made • 002Fh - PASSKEY is Locked and two invalid writes have been made • 00FFh - PASSKEY is Locked and three or more invalid writes have been made |

7.89 (FBh) MFR_SPECIFIC_43 (EXT_WRITE_PROTECT)

| | |
|--------------------|---------------------------|
| CMD Address | FBh |
| Write Transaction: | Write Word |
| Read Transaction: | Read Word |
| Format: | Unsigned Binary (2 bytes) |
| Phased: | No |
| NVM Back-up: | EEPROM |
| Updates: | At Boot-up |

EXT_WRITE_PROTECT provides the user with greater resolution to Write Protect features than the Standard PMBus Function. Each bit in the EXT_WRITE_PROTECT provides individual and independent WRITE_PROTECTION.

Figure 7-88. (FBh) MFR_SPECIFIC_43(EXT_WRITE_PROTECT) Register Map

| | | | | | | | |
|-----|-----|------|------|-----|-----|-----|-----|
| 15 | 14 | 13 | 12 | 11 | 10 | 9 | 8 |
| RW | RW | RW | RW | RW | RW | RW | RW |
| HWP | WP | TRIM | VOUT | VOF | WIN | ITF | MAR |
| 7 | 6 | 5 | 4 | 3 | 2 | 1 | 0 |
| RW | RW | RW | RW | RW | RW | RW | RW |
| OP | CFG | VIN | SEQ | DAT | BOT | PSK | STR |

LEGEND: R/W = Read/Write; R = Read only

Table 7-88. Register Field Descriptions

| Bit | Field | Access | Reset | Description |
|-----|-------|--------|-------|--|
| 15 | HWP | RW | NVM | Command List: EXT_WRITE_PROTECT (This command), PASSKEY 0b: Commands are Writable unless: a. EXT_WRITE_PROTECT is Write Protected by PASSKEY b. PASSKEY is Write Protected by EXT_WRITE_PROTECT[1] 1b: Commands are Read Only (if stored to NVM, this will permanently lock EXT_WRITE_PROTECT) |
| 14 | WP | RW | NVM | Command List: WRITE_PROTECT (Standard PMBus Command) 0b: Commands are Writable (No other command controls write access to WRITE_PROTECT 1b: Commands are Read Only |
| 13 | TRIM | RW | NVM | Command List: VOUT_TRIM, VOUT_SCALE_LOOP, IOU_T_CAL_GAIN, IOU_T_CAL_OFFSET 0b: Commands are Writable unless Write Protected by WRITE_PROTECT 1b: Commands are Read Only |
| 12 | VOUT | RW | NVM | Command List: VOUT_MODE, VOUT_COMMAND 0b: Commands are Writable unless Write Protected by WRITE_PROTECT 1b: Commands are Read Only |
| 11 | VOF | RW | NVM | Command List: VOUT_MAX, VOUT_OV_FAULT_LIMIT, VOUT_OV_FAULT_RESPONSE, VOUT_UV_FAULT_LIMIT, VOUT_UV_FAULT_RESPONSE, VOUT_MIN 0b: Commands are Writable unless Write Protected by WRITE_PROTECT 1b: Commands are Read Only |

Table 7-88. Register Field Descriptions (continued)

| Bit | Field | Access | Reset | Description |
|-----|-------|--------|-------|---|
| 10 | WN | RW | NVM | Command List: VOUT_OV_WARN_LIMIT, VOUT_UV_WARN_LIMIT, IOUT_OC_WARN_LIMIT, OT_WARN_LIMIT, SMBALERT_MASK 0b: Commands are Writable unless Write Protected by WRITE_PROTECT 1b: Commands are Read Only |
| 9 | ITF | RW | NVM | Command List: IOUT_OC_FAULT_LIMIT, IOUT_OC_FAULT_RESPONSE, OT_FAULT_LIMIT, OT_FAULT_RESPONSE, SIMULATE_FAULTS 0b: Commands are Writable unless Write Protected by WRITE_PROTECT 1b: Commands are Read Only |
| 8 | MAR | RW | NVM | Command List: VOUT_MARGIN_HIGH, VOUT_MARGIN_LOW, VOUT_TRANSITION_RATE 0b: Commands are Writable unless Write Protected by WRITE_PROTECT 1b: Commands are Read Only |
| 7 | OP | RW | NVM | Command List: OPERATION 0b: Commands are Writable unless Write Protected by WRITE_PROTECT 1b: Commands are Read Only |
| 6 | CFG | RW | NVM | Command List: FREQUENCY_SWITCH, INTERLEAVE, COMPENSATION_CONFIG, TRANSIENT_REDUCTION_CONFIG, TELEMETRY_CONFIG, POWER_STAGE_CONFIG, PGOOD_CONFIG, SYNC_CONFIG, MISC_OPTIONS, STACK_CONFIG 0b: Commands are Writable unless Write Protected by WRITE_PROTECT 1b: Commands are Read Only |
| 5 | VIN | RW | NVM | Command List: VIN_UV_WARN_LIMIT, VIN_OV_FAULT_LIMIT, VIN_OV_WARN_LIMIT, VIN_OV_FAULT_RESPONSE 0b: Commands are Writable unless Write Protected by WRITE_PROTECT 1b: Commands are Read Only |
| 4 | SEQ | RW | NVM | Command List: TON_DELAY, TON_RISE, TON_MAX_FAULT_LIMIT, TON_MAX_FAULT_RESPONSE, TOFF_DELAY, TOFF_FALL, and ON_OFF_CONFIG, VIN_ON, VIN_OFF 0b: Commands are Writable unless Write Protected by WRITE_PROTECT 1b: Commands are Read Only |
| 3 | DAT | RW | NVM | Command List: MFR_ID, MFR_MODEL, MFE_REVISION, MFR_SERIAL 0b: Commands are Writable unless Write Protected by WRITE_PROTECT 1b: Commands are Read Only |
| 2 | BOT | RW | NVM | Command List: PIN_DETECT_OVERRIDE, PMBUS_ADDRESS 0b: Command are Writable unless Read Only from WRITE_PROTECT 1b: Commands are Read Only |
| 1 | PSK | RW | NVM | Command List: PASSKEY 0b: Commands are Writable unless Write Protected by WRITE_PROTECT 1b: Commands are Read Only |
| | | | | <p>Note</p> <p>Because PASSKEY write protects EXT_WRITE_PROTECT when PASSKEY != 0000h, setting this bit when PASSKEY != 0000h and storing to NVM permanently locks access to EXT_WRITE_PROTECT. Setting this bit when PASSKEY is set to 0000h prevents the programming of a PASSKEY value.</p> |

Table 7-88. Register Field Descriptions (continued)

| Bit | Field | Access | Reset | Description |
|-----|-------|--------|-------|---|
| 0 | STR | RW | NVM | Command List: STORE_USER_ALL 0b @ Power On Reset: Commands are Writable unless Read Only from WRITE_PROTECT or PASSKEY 0b @ RESTORE: Commands are Writable unless Read Only from WRITE_PROTECT or PASSKEY 0b at All other Times: Commands are Writable unless Read Only from WRITE_PROTECT or PASSKEY 1b @ Power On Reset: Commands are Read Only 1b @ RESTORE: Commands are Read Only |

7.90 (FCh) MFR_SPECIFIC_44 (FUSION_ID0)

| | |
|--------------------|--|
| CMD Address | FCh |
| Write Transaction: | Write Word (writes accepted but otherwise ignored) |
| Read Transaction: | Read Word |
| Format: | Unsigned Binary (2 bytes) |
| Phased: | No |
| NVM Back-up: | No |

FUSION_ID0 provides a platform level Identification code to be used by Texas Instruments Digital Power Designer for identifying a TI device.

Writes to this command will be accepted, but ignored otherwise (the readback value of this command does not change following a write attempt). This command is writeable for some TI devices, so to maintain cross-compatibility, the TPSM8S6B24S accepts write transactions to this command as well. No STATUS_CML bits are set as a result of the receipt of a write attempt to this command.

Figure 7-89. (FCh) MFR_SPECIFIC_44 (FUSION_ID0) Register Map

| | | | | | | | |
|------------|----|----|----|----|----|---|---|
| 15 | 14 | 13 | 12 | 11 | 10 | 9 | 8 |
| R | R | R | R | R | R | R | R |
| FUSION_ID0 | | | | | | | |
| 7 | 6 | 5 | 4 | 3 | 2 | 1 | 0 |
| R | R | R | R | R | R | R | R |
| FUSION_ID0 | | | | | | | |

LEGEND: R/W = Read/Write; R = Read only

Table 7-89. Register Field Descriptions

| Bit | Field | Access | Reset | Description |
|------|------------|--------|-------|---------------------|
| 15:0 | FUSION_ID0 | R | 02C0h | Hard Coded to 02C0h |

7.91 (FDh) MFR_SPECIFIC_45 (FUSION_ID1)

| | |
|--------------------|---|
| CMD Address | FDh |
| Write Transaction: | Block Write (writes accepted but otherwise ignored) |
| Read Transaction: | Block Read |
| Format: | Unsigned Binary (6 bytes) |
| Phased: | No |
| NVM Back-up: | No |

FUSION_ID1 provides a platform level Identification code to be used by Texas Instruments Digital Power Designer for identifying a TI device.

Writes to this command will be accepted, but ignored otherwise (the readback value of this command does not change following a write attempt). This command is writeable for some TI devices, so to maintain cross-compatibility, the TPSM8S6B24S accepts write transactions to this command as well. No **STATUS_CML** bits are set as a result of the receipt of a write attempt to this command.

Figure 7-90. (FDh) MFR_SPECIFIC_45 (FUSION_ID1) Register Map

| | | | | | | | |
|------------|----|----|----|----|----|----|----|
| 47 | 46 | 45 | 44 | 43 | 42 | 41 | 40 |
| R | R | R | R | R | R | R | R |
| FUSION_ID1 | | | | | | | |
| 39 | 38 | 37 | 36 | 35 | 34 | 33 | 32 |
| R | R | R | R | R | R | R | R |
| FUSION_ID1 | | | | | | | |
| 31 | 30 | 29 | 28 | 27 | 26 | 25 | 24 |
| FUSION_ID1 | | | | | | | |
| 23 | 22 | 21 | 20 | 19 | 18 | 17 | 16 |
| R | R | R | R | R | R | R | R |
| FUSION_ID1 | | | | | | | |
| 15 | 14 | 13 | 12 | 11 | 10 | 9 | 8 |
| R | R | R | R | R | R | R | R |
| FUSION_ID1 | | | | | | | |
| 7 | 6 | 5 | 4 | 3 | 2 | 1 | 0 |
| R | R | R | R | R | R | R | R |
| FUSION_ID1 | | | | | | | |

LEGEND: R/W = Read/Write; R = Read only

Table 7-90. Register Field Descriptions

| Bit | Field | Access | Reset | Description |
|-------|------------|--------|-------|-------------------|
| 47:40 | FUSION_ID1 | R | 4Bh | Hard coded to 4Bh |
| 39:32 | FUSION_ID1 | R | 43h | Hard coded to 43h |
| 31:24 | FUSION_ID1 | R | 4Fh | Hard coded to 4Fh |
| 23:16 | FUSION_ID1 | R | 4Ch | Hard coded to 4Ch |
| 15:8 | FUSION_ID1 | R | 49h | Hard coded to 49h |

Table 7-90. Register Field Descriptions (continued)

| Bit | Field | Access | Reset | Description |
|-----|----------------|--------|-------|-------------------|
| 7:0 | FUSION_ ID1 | R | 54h | Hard coded to 54h |

8 Application and Implementation

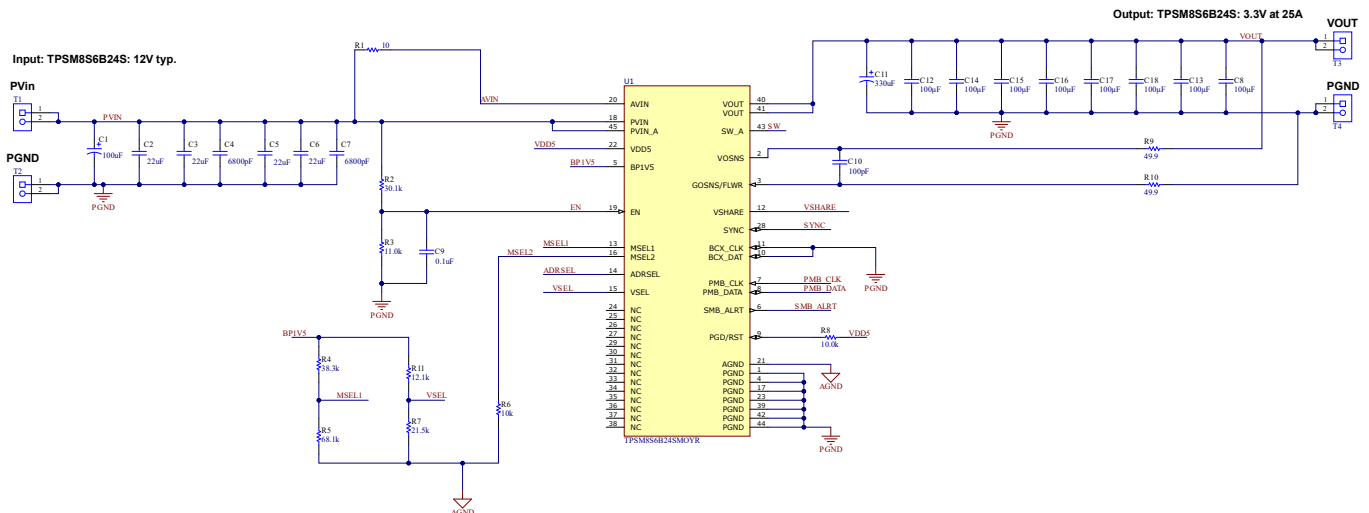
Note

Information in the following applications sections is not part of the TI component specification, and TI does not warrant its accuracy or completeness. TI's customers are responsible for determining suitability of components for their purposes, as well as validating and testing their design implementation to confirm system functionality.

8.1 Application Information

The TPSM8S6B24S is a highly integrated, single, synchronous step-down DC/DC module. This device is used to convert a higher DC-input voltage to a lower DC-output voltage, with a maximum output current of 25A. Use the following design procedures to select key component values for single phase through two phase design. The appropriate behavioral options can be set through PMBus.

8.2 Typical Application



8.2.1 Design Requirements

For this design example, use the input parameters listed in [Table 8-1](#).

Table 8-1. Design Parameters

| DESIGN PARAMETER | | TEST CONDITIONS | MIN | TYP | MAX | UNIT |
|-------------------------|--|--|-----|-------|------|------|
| V _{IN} | Input voltage | | 5 | 12 | 16 | V |
| V _{IN(ripple)} | Input ripple voltage | V _{IN} = 12V, I _{OUT} = 25A | | 0.27 | | V |
| V _{OUT} | Output voltage | | | 3.32 | | V |
| ΔV _{O(ΔVI)} | Line regulation | 5V ≤ V _{IN} ≤ 16V | | | 0.5% | |
| ΔV _{O(ΔIO)} | Load regulation | 0V ≤ I _{OUT} ≤ 25A | | | 0.5% | |
| V _{PP} | Output ripple voltage | I _{OUT} = 25A | | 10 | | mV |
| ΔV _{OUT} | V _{OUT} deviation during load transient | ΔI _{OUT} = 12.5A, V _{IN} = 12V | | 67 | | mV |
| I _{OUT} | Output current | 5V ≤ V _{IN} ≤ 16V | 0 | | 25 | A |
| I _{OCP} | Output overcurrent protection threshold | | | 39 | | A |
| F _{SW} | Switching frequency | V _{IN} = 12V | | 650 | | kHz |
| η _{Full load} | Full load efficiency | V _{IN} = 12V, I _{OUT} = 25A | | 93.22 | | |
| t _{SS} | Soft-start time (T _{ON_RISE}) | | | 3 | | ms |

8.2.2 Detailed Design Procedure

The TPSM8S6B24S provides four pins to program critical PMBus register values without requiring PMBus communication prior to first power up. Please refer to [Table 6-7](#) for the pinstrapping options. Some equations include a variable N, which is the number of channels stacked together. In this standalone device example, the value of N is equal to 1.

8.2.2.1 Custom Design With WEBENCH® Tools

[Click here](#) to create a custom design using the TPSM8S6B24S device with the WEBENCH® Power Designer.

1. Start by entering the input voltage (V_{IN}), output voltage (V_{OUT}), and output current (I_{OUT}) requirements.
2. Optimize the design for key parameters such as efficiency, footprint, and cost using the optimizer dial.
3. Compare the generated design with other possible solutions from Texas Instruments.

The WEBENCH Power Designer provides a customized schematic along with a list of materials with real-time pricing and component availability.

In most cases, these actions are available:

- Run electrical simulations to see important waveforms and circuit performance
- Run thermal simulations to understand board thermal performance
- Export customized schematic and layout into popular CAD formats
- Print PDF reports for the design, and share the design with colleagues

Get more information about WEBENCH tools at www.ti.com/WEBENCH.

8.2.2.2 Switching Frequency

The MSEL1 pin programs [USER_DATA_01 \(COMPENSATION_CONFIG\)](#) and [FREQUENCY_SWITCH](#). The resistor divider ratio for MSEL1 selects the nominal switching frequency. In the design procedure for MSEL1, switching frequency is configured first, then compensation is chosen after output capacitance is determined.

There is a tradeoff between higher and lower switching frequencies for buck converters. Higher switching frequencies can produce smaller design size using lower valued inductors and smaller output capacitors compared to a power supply that switches at a lower frequency. However, the higher switching frequency causes extra switching losses, which decrease efficiency and impact thermal performance.

In this design, a moderate switching frequency of 650kHz achieves both a small design size and a high-efficiency operation. Use the MSEL1 pin program table to select the frequency option. See [Table 6-8](#) for resistor divider code selection. Resistor divider code 9 is needed to set the switching frequency to 650kHz.

8.2.2.3 Output Voltage Setting (VSEL Pin)

The output voltage can be set using the VSEL pin. The resistor divider ratio for VSEL programs the [VOUT_COMMAND](#) range, [VOUT_SCALE_LOOP](#) divider, [VOUT_MIN](#), and [VOUT_MAX](#) levels according to [Table 6-12](#). Select the resistor divider code for the range of VOUT desired. For this 3.32V output example, two resistors to AGND and BP1V5 on VSEL pin can be used.

With the resistor divider code selected for the range of VOUT, select the resistor to AGND code with the VOUT_COMMAND offset and VOUT_COMMAND step from [Table 6-13](#). To calculate the resistor to AGND code subtract the VOUT_COMMAND offset from the target output voltage and divide by the VOUT_COMMAND step. For this example, two resistors to AGND and BP1V5 were used and the result is R2G code 8 and RDIV code 9 per design tool. A 21.5kΩ resistor to AGND and a 12. kΩ resistor to BP1V5 at VSEL programs the desired setting.

$$\text{Code} = \frac{V_{\text{OUT}} - V_{\text{OUT_COMMAND}}_{\text{Offset}}}{V_{\text{OUT_COMMAND}}_{\text{STEP}}} = \frac{3.32 - 3.0}{0.040} = 8 \quad (9)$$

8.2.2.4 Compensation Selection (MSEL1 Pin)

The resistor to AGND for MSEL1 selects the [\(B1h\) USER_DATA_01 \(COMPENSATION_CONFIG\)](#) values to program the following voltage loop and current loop gains. For options other than the EEPROM code (MSEL1 shorted to AGND or MSEL1 to AGND resistor code 0), the current and voltage loop zero and pole frequencies are scaled with the programmed switching frequency.

Based on the design tool, for a switching frequency of 650kHz, the TPSM8S6B24S must use an I_{LOOP} of 7 and a maximum voltage loop bandwidth of 29kHz (from design tool).

For this design, V_{LOOP} = 8 is selected.

For I_{LOOP} = 7, V_{LOOP} = 8, Compensation Code 30 is selected and MSEL1 is terminated with resistor divider code 9 and resistor to ground code 14, selecting a top 38.3kΩ resistor and bottom 68.1kΩ resistor

Note

More conservative Current and Voltage Loops can be selected by selecting a lower I_{LOOP} gain and reducing the maximum voltage loop bandwidth proportionally.

8.2.2.5 Output Capacitor Selection

Output capacitors are selected to meet the output ripple requirements and stabilize the voltage loop below V_{BW(max)}.

To stabilize the loop below V_{BW(max)}, evaluate the output impedance of available electrolytic and ceramic capacitors at the target voltage loop bandwidth frequency and combine capacitors in parallel to reduce the total output impedance of the capacitor bank below.

$$Z_{\text{OUT}}(V_{\text{BW}}) < \frac{\text{CSA}}{N \times V_{\text{LOOP}} \times V_{\text{OUT_SCALE_LOOP}}} \quad (10)$$

$$Z_{\text{OUT}}(V_{\text{BW}}) < \frac{6.155 \text{ mV/A}}{1 \times 8 \times 0.125} = 6.155 \text{ m}\Omega \quad (11)$$

$$Z_{\text{C}_100\mu\text{F}} = \frac{1}{2\pi f_{\text{SW}} C} = \frac{1}{2\pi \times 29 \text{ kHz} \times 9 \times 100 \mu\text{F}} = 6.1 \text{ m}\Omega \quad (12)$$

$$Z_{\text{C}_330\mu\text{F}} = \frac{1}{2\pi f_{\text{SW}} C} = \frac{1}{2\pi \times 29 \text{ kHz} \times 2 \times 330 \mu\text{F}} = 8.32 \text{ m}\Omega \quad (13)$$

8.2.2.5.1 Output Voltage Ripple

The output-voltage ripple is the second criterion for output capacitor selection. Use Equation 14 to calculate the minimum output capacitance required to meet the output-voltage ripple specification.

$$C_{OUT(\min)} = \frac{I_{RIPPLE}}{8 \times f_{SW} \times V_{OUT(RIPPLE)}} = \frac{8.57 \text{ A}}{8 \times 650 \text{ kHz} \times 10 \text{ mV}} = 165 \mu\text{F} \quad (14)$$

In this case, the target maximum output-voltage ripple is 10mV. Under this requirement, the minimum output capacitance for ripple is 165μF. This capacitance value is smaller than the output capacitance required for the transient response, so select the output capacitance value based on the transient requirement. Considering the variation and derating of capacitance, in this design, 2 × 330μF low-ESR tantalum polymer bulk capacitors and 9 × 100μF ceramic capacitors were selected to meet the transient specification with sufficient margin. Therefore the selected nominal C_{OUT} is equal to 1560μF.

With the output capacitance value selected, the ESR must be considered. This consideration is important in this example because this consideration uses mixed output capacitor types. First use Equation 15 to calculate the maximum allowable impedance for the output capacitor bank at the switching frequency to meet the output voltage ripple specification. Equation 15 indicates the output capacitor bank impedance must be less than 1.3mΩ. The impedance of the ceramic capacitors is calculated with Equation 16 and the impedance of the bulk capacitor is calculated with Equation 17. The result from Equation 17 shows the impedance of the bulk capacitor at the switching frequency is dominated by the ESR. Equation 18 calculates the total output impedance of the output capacitor bank at the switching frequency to be 0.25mΩ which meets the 1.3mΩ requirement.

$$Z_{OUT(MAX)}_{f_{SW}} = \frac{V_{OUT(RIPPLE)}}{I_{RIPPLE}} = \frac{10 \text{ mV}}{8.57 \text{ A}} = 1.17 \text{ m}\Omega \quad (15)$$

$$Z_{CER}_{f_{SW}} = \frac{1}{2\pi \times f_{SW} \times C_{CER}} = \frac{1}{2\pi \times 650 \text{ kHz} \times (9 \times 100 \mu\text{F})} = 0.27 \text{ m}\Omega \quad (16)$$

$$Z_{BULK}_{f_{SW}} = \sqrt{ESR_{BULK}^2 + \left(\frac{1}{2\pi \times f_{SW} \times C_{BULK}}\right)^2} = \sqrt{\left(\frac{6 \text{ m}\Omega}{2}\right)^2 + \left(\frac{1}{2\pi \times 650 \text{ kHz} \times (1 \times 2 \times 330 \mu\text{F})}\right)^2} = 3.02 \text{ m}\Omega \quad (17)$$

$$Z_{COUT}_{f_{SW}} = \frac{Z_{CER}_{f_{SW}} \times Z_{BULK}_{f_{SW}}}{Z_{CER}_{f_{SW}} + Z_{BULK}_{f_{SW}}} = \frac{0.27 \text{ m}\Omega \times 3.02 \text{ m}\Omega}{0.27 \text{ m}\Omega + 3.02 \text{ m}\Omega} = 0.25 \text{ m}\Omega \quad (18)$$

8.2.2.6 Input Capacitor Selection

The power-stage input-decoupling capacitance (effective capacitance at the PVIN and PGND pins) must be sufficient to supply the high switching currents demanded when the high-side MOSFET switches on, while providing minimal input-voltage ripple as a result. This effective capacitance includes any DC-bias effects. The voltage rating of the input capacitor must be greater than the maximum input voltage with derating. The capacitor must also have a ripple-current rating greater than the maximum input-current ripple to the device during full load. Use Equation 19 to estimate the input RMS current.

$$I_{IN(RMS)} = \frac{I_{OUT(MAX)}}{N} \times \sqrt{\frac{V_{OUT}}{V_{IN(\min)}} \times \frac{(V_{IN(\min)} - V_{OUT})}{V_{IN(\min)}}} = \frac{25 \text{ A}}{1} \times \sqrt{\frac{3.3 \text{ V}}{5 \text{ V}} \times \frac{(5 \text{ V} - 3.3 \text{ V})}{5 \text{ V}}} = 11.8 \text{ A} \quad (19)$$

The minimum input capacitance and ESR values for a given input voltage-ripple specification, V_{IN(ripple)}, are shown in Equation 20 and Equation 21. The input ripple is composed of a capacitive portion (V_{RIPPLE(cap)}) and a resistive portion (V_{RIPPLE(esr)}).

$$C_{IN(\min)} = \frac{\frac{I_{OUT(MAX)}}{N} \times V_{OUT}}{V_{RIPPLE(\text{cap})} \times V_{IN(\max)} \times f_{SW}} = \frac{\frac{25 \text{ A}}{1} \times 3.3 \text{ V}}{0.1 \text{ V} \times 16 \text{ V} \times 650 \text{ kHz}} = 79.3 \mu\text{F} \quad (20)$$

$$ESR_{CIN(Max)} = \frac{V_{RIPPLE(ESR)}}{\frac{I_{OUT(Max)}}{N} + \frac{1}{2}I_{RIPPLE}} = \frac{0.2V}{\frac{25A}{1} + \frac{1}{2} \times 8.57A} = 6.83m\Omega \quad (21)$$

The value of a ceramic capacitor varies significantly over temperature and the amount of DC bias applied to the capacitor. The capacitance variations because of temperature can be minimized by selecting a dielectric material that is stable over temperature. X5R and X7R ceramic dielectrics are usually selected for power-regulator capacitors because these components have a high capacitance-to-volume ratio and are fairly stable over temperature. The input capacitor must also be selected with consideration of the DC bias. For this example design, a ceramic capacitor with at least a 25V voltage rating is required to support the maximum input voltage. For this design, allow 0.1V input ripple for $V_{RIPPLE(cap)}$ and 0.2V input ripple for $V_{RIPPLE(esr)}$. Using Equation 20 and Equation 21, the minimum input capacitance for this design is 79.3 μ F, and the maximum ESR is 6.83m Ω . For this design example, four 22 μ F, 25V ceramic capacitors, two 6800pF, 25V ceramic capacitors, and one additional 100 μ F, 25V low-ESR electrolytic capacitors in parallel were selected for the power stage with sufficient margin. For all designs, TI requires a minimum input capacitance of 10 μ F and recommends a maximum input ripple of 500mV.

To minimize the high frequency ringing, place the high frequency 6800pF PVIN bypass capacitors close to the power stage.

8.2.2.7 Soft Start, Overcurrent Protection, and Stacking Configuration (MSEL2 Pin)

Soft-start time, overcurrent protection thresholds, and stacking configuration can be configured using the MSEL2 pin. The TPSM8S6B24S device support several soft-start times from 0 to 31.75ms in 250 μ s steps (7 bits) selected by the *TON_RISE* command. Eight times are selectable using the MSEL2 pin. The TPSM8S6B24S device support several low-side overcurrent warn and fault thresholds from 8A to 62A selected by the *IOUT_OC_WARN_LIMIT* and *IOUT_OC_FAULT_LIMIT* commands. Four thresholds are selectable using the MSEL2 pin. The response to an OC fault can be changed through PMBus. Lastly, the number of devices stacked is set using the MSEL2 pin.

The resistor divider code for MSEL2 selects the soft-start values. The resistor to AGND determines the number of devices sharing common output and the overcurrent thresholds. Use Table 6-11 and Table 6-10 to select the resistor to AGND code and resistor divider code needed for the desired configuration.

In this single phase design, resistor divider code open is selected for 3ms soft start and resistor to AGND code 4 is selected for the 30/39A current limit thresholds and standalone configuration.

8.2.2.8 Enable and UVLO

The *ON_OFF_CONFIG* command is used to select the turn-on behavior of the converter. For this example, the EN pin or CONTROL pin was used to enable or disable the converter, regardless of the state of *OPERATION*, as long as the input voltage is present and above the UVLO threshold. The EN pin is pulled low internally if it is floating.

A resistor divider can be added the EN pin to program an additional UVLO. Additionally 0.1 μ F can be placed on this pin to filter noise or short glitches. Use Equation 22 and Equation 23 to calculate the resistor values to target a 3.92V turn-on and a 3.51V turn-off. Standard resistor values of 30.1k Ω and k Ω are selected for this example. Use Equation 24 and Equation 25 to calculate the thresholds based on selected resistor values.

$$R_{ENTOP} = \frac{V_{ON} \times V_{ENFALL} - V_{OFF} \times V_{ENRISE}}{N \times I_{ENHYS} \times V_{ENRISE}} = \frac{3.92V \times 0.98V - 3.51V \times 1.05V}{1 \times 5.5\mu A \times 1.05V} = 27k\Omega \quad (22)$$

$$R_{ENBOT} = \frac{V_{ENTOP} \times V_{ENFALL}}{V_{OFF} - V_{ENFALL} + N \times I_{ENHYS} \times R_{ENTOP}} = \frac{30.1k\Omega \times 0.98V}{3.92V - 0.98V + 1 \times 5.5\mu A \times 30.1k\Omega} = 9.5k\Omega \quad (23)$$

$$V_{ON} = \frac{V_{ENRISE} \times (R_{ENBOT} + R_{ENTOP})}{R_{ENBOT}} = \frac{1.05V \times (11k\Omega + 30.1k\Omega)}{11k\Omega} = 3.92V \quad (24)$$

$$V_{OFF} = \frac{V_{ENFALL} \times (R_{ENBOT} + R_{ENTOP})}{R_{ENBOT}} - N \times I_{ENHYS} \times R_{ENTOP} = \frac{0.98 V \times (11 k\Omega + 30.1 k\Omega)}{11 k\Omega} - 1 \times 5.5 \mu A \quad (25)$$

$$\times 30.1 k\Omega = 3.5 V$$

8.2.2.9 ADRSEL

In this example, the ADRSEL pin is left floating. This floating sets the PMBus loop follower address to the EEPROM value, 0x24h (36d) by default, and the SYNC pin to auto detect with 0 degrees phase shift. Use [Table 6-14](#) and [Table 6-15](#) to select the resistor to AGND code and resistor divider code needed for the desired configuration.

If through pinstrapping, the desired address is not possible with the SYNC pin set to auto detect and synchronization is not needed in the application, the SYNC pin must be configured for SYNC_OUT. The device still regulates normally with the SYNC pin configured for SYNC_IN, however, if there is not clock input to the SYNC pin, the device declares a SYNC fault in the [STATUS_MFR_SPECIFIC](#) command.

8.2.2.10 BCX_CLK and BCX_DAT

For a standalone device, the BCX_CLK and BCX_DAT pins are not used. As shown in [Table 6-5](#), TI recommends grounding them to the thermal pad.

8.2.3 Application Curves

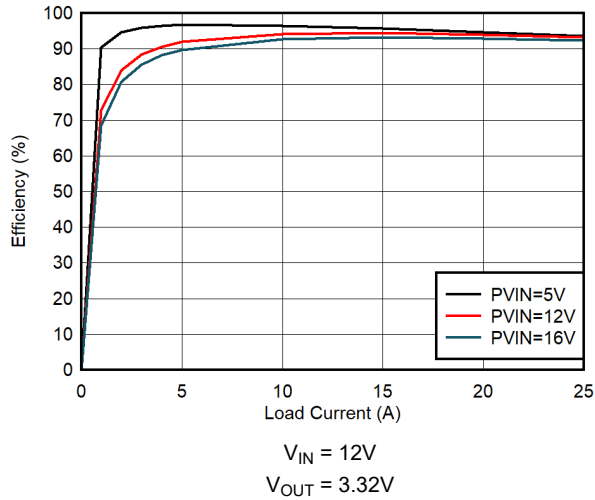


Figure 8-1. Efficiency vs Output Current

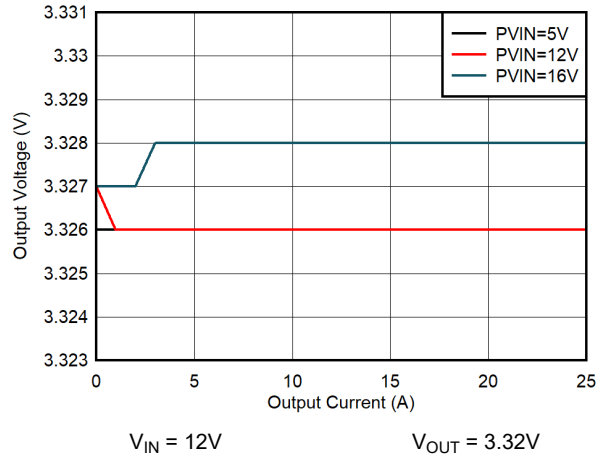


Figure 8-2. Load Regulation

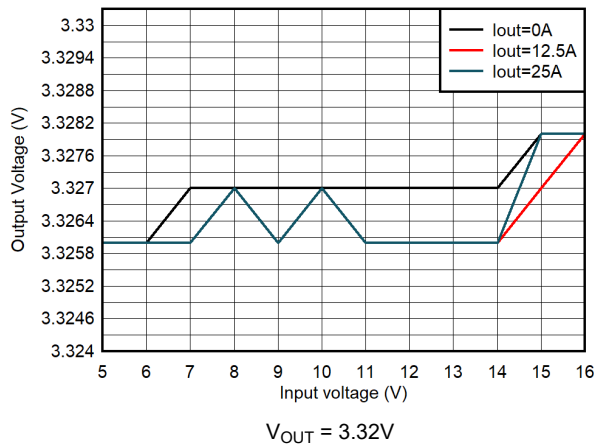


Figure 8-3. Line Regulation

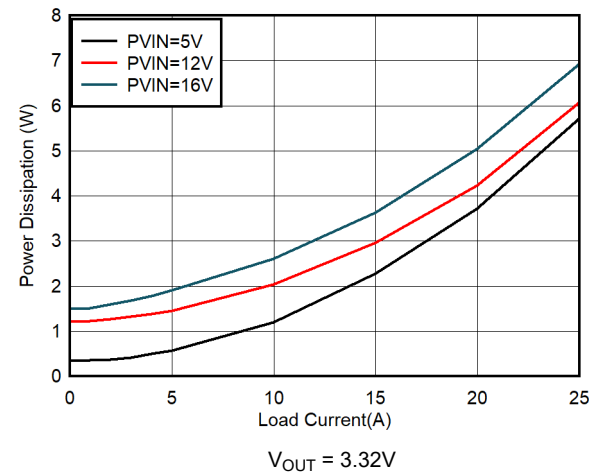


Figure 8-4. Power Dissipation

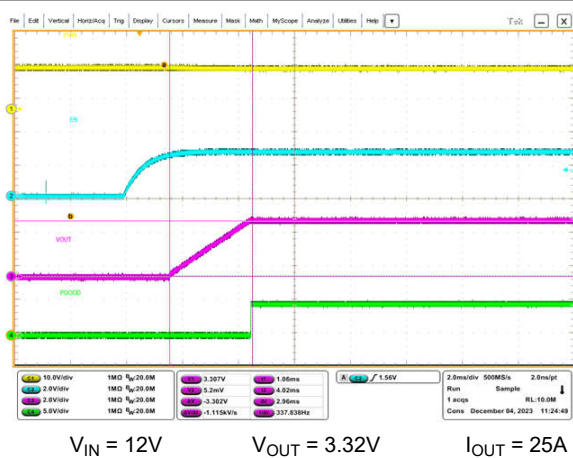


Figure 8-5. Start-Up from EN/UVLO

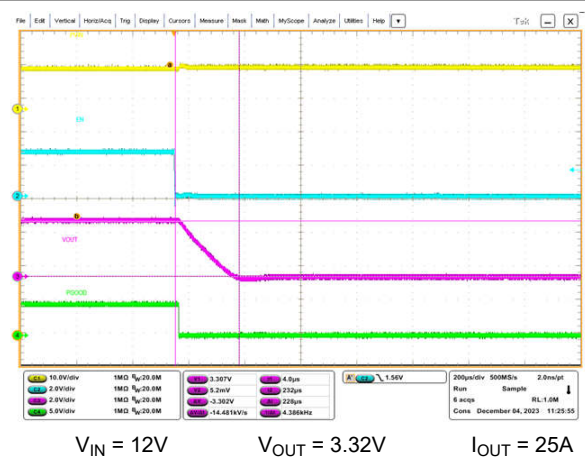
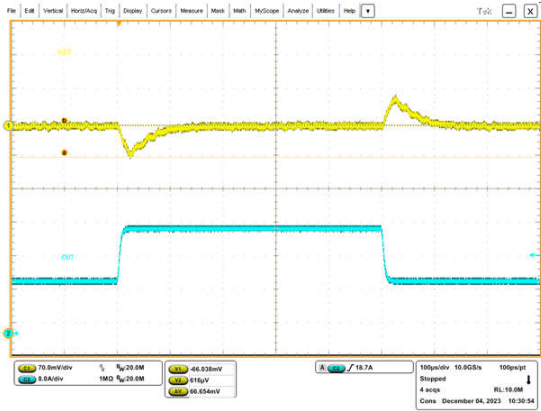
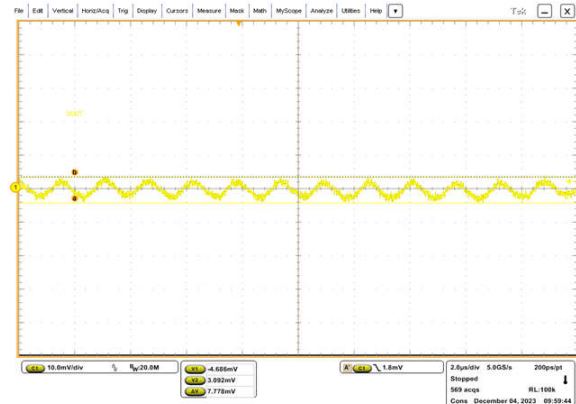


Figure 8-6. Shutdown from CNTL



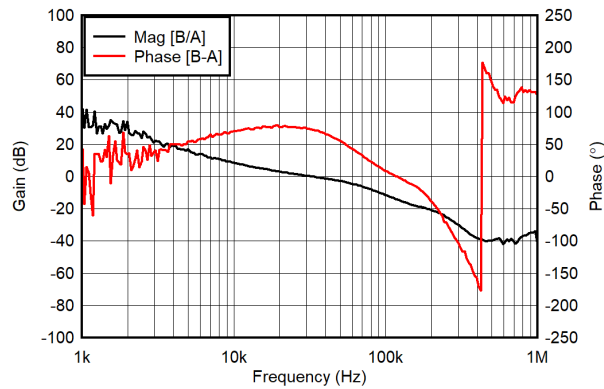
$V_{IN} = 12V$ $V_{OUT} = 3.32V$ $I_{OUT} = 12.5A$ to $25A$, $2.5A/\mu s$

Figure 8-7. Load Transient Response



$V_{IN} = 12V$ $V_{OUT} = 3.32V$ $I_{OUT} = 25A$

Figure 8-8. V_{OUT} Steady-State Ripple



$V_{IN} = 12V$ $V_{OUT} = 3.32V$ $I_{OUT} = 25A$

Figure 8-9. Total-Loop Bode Plot

8.3 Two-Phase Application

Use the following design procedure to select key component values for two-phase design. The appropriate behavioral options can be set through PMBus. Refer to [Section 8.2.2](#) for the equations used to calculate the component values in this example. The only difference is to increase value of N to 2 because there are two devices stacked for a two-phase design. This procedure can also be used as reference for three-phase and four-phase designs. Again the only difference is to increase the value of N to 3 and 4 for a three-phase and four-phase design, respectively.

WEBENCH includes support for creating two-phase designs. The [TPSM8S6x24 Compensation and Pin-Strap Resistor Calculator](#) can also be used to aid in design calculations and pinstrap resistor selection.

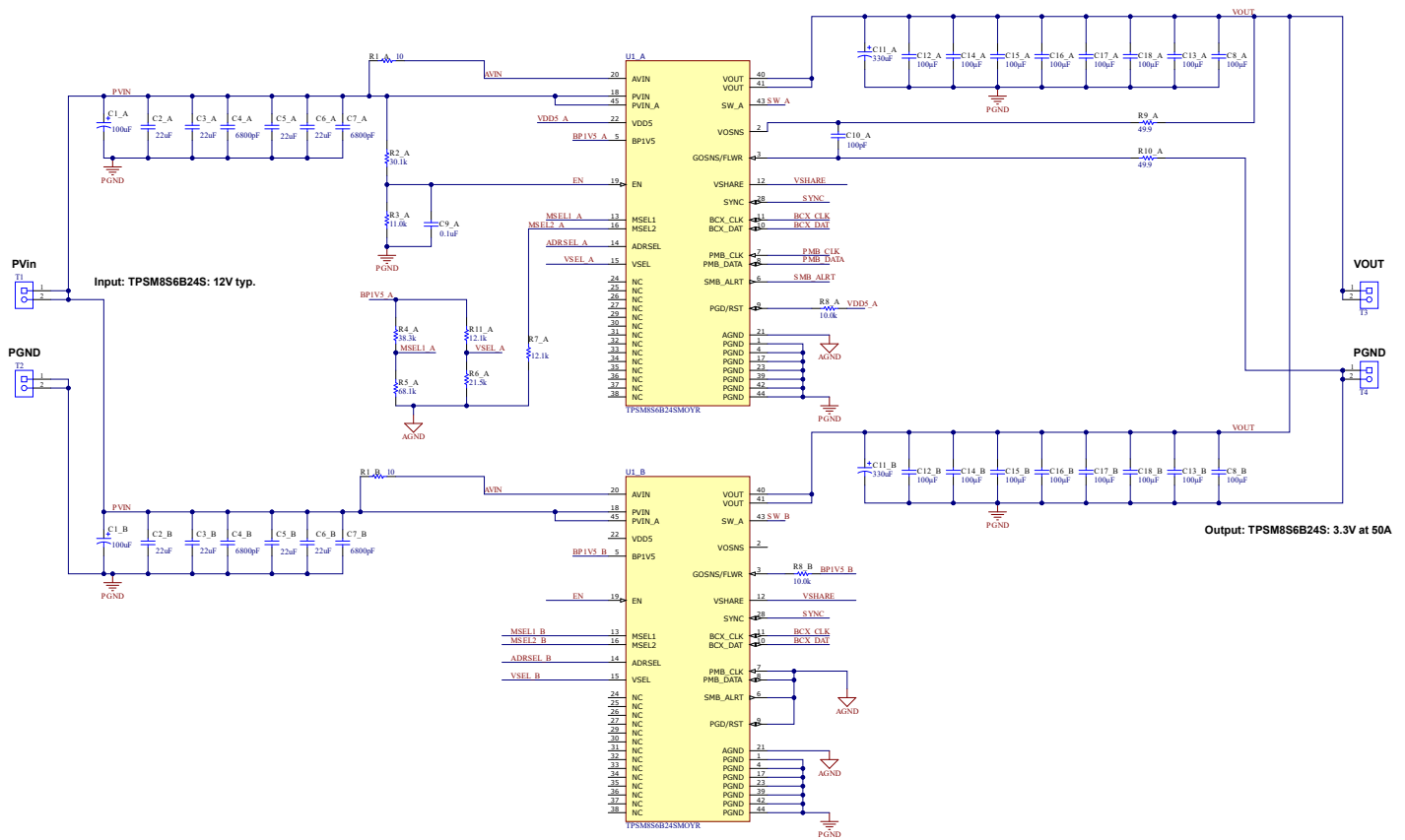


Figure 8-10. TPSM8S6B24S Two-Phase Application

8.3.1 Design Requirements

For this design example, use the input parameters listed in [Table 8-1](#).

Table 8-2. Design Parameters

| DESIGN PARAMETER | | TEST CONDITIONS | MIN | TYP | MAX | UNIT |
|-------------------------|--|--|-----|-------|------|------|
| V _{IN} | Input voltage | | 5 | 12 | 16 | V |
| V _{IN(ripple)} | Input ripple voltage | V _{IN} = 12V, I _{OUT} = 50A | | 0.3 | | V |
| V _{OUT} | Output voltage | | | 3.32 | | V |
| ΔV _{O(ΔVI)} | Line regulation | 5V ≤ V _{IN} ≤ 16V | | | 0.5% | |
| ΔV _{O(ΔIO)} | Load regulation | 0V ≤ I _{OUT} ≤ 50A | | | 0.5% | |
| V _{PP} | Output ripple voltage | I _{OUT} = 50A | | 10 | | mV |
| ΔV _{OUT} | V _{OUT} deviation during load transient | ΔI _{OUT} = 25A, V _{IN} = 12V | | 159 | | mV |
| I _{OUT} | Output current | 5V ≤ V _{IN} ≤ 16V | 0 | | 50 | A |
| I _{OCP} | Output overcurrent protection threshold | | | 78 | | A |
| F _{SW} | Switching frequency | V _{IN} = 12V | | 650 | | kHz |
| η _{Full load} | Full load efficiency | V _{IN} = 12V, I _{OUT} = 50A | | 93.13 | | |
| t _{SS} | Soft-start time (T _{ON_RISE}) | | | 3 | | ms |

8.3.2 Two-Phase Detailed Design Procedure

For the 2-phase application, the design process is similar to that of the single phase, except:

- In selecting the voltage loop compensation, N = 2 divides the effective current sense amplifier gain in half as the two phases operate in parallel, each delivering equal current, doubling the current gain of the converter.
- For ceramic input bypassing capacitors, TI recommends that each phase have sufficient bypassing to support each phase as if the phase was a single-phase output. While there is some channel to channel current sharing, layout and trace inductance often results in actual ripple current sharing being significantly lower than the desired input ripple cancellation.
- MSEL2 of the primary channel (MSEL2_A) is selected for a 2-phase converter with 3ms TON_RISE and the maximum current limit by being left open.
- VSEL and ADRSEL of the primary channel are programmed the same as a single phase converter.
- MSEL2 of the follower channel (MSEL2_B) is float to select follower of a 2-phase converter with 30/39A current limit setting.
- GOSNS/FLWR_B is pulled up to BP1V5 to set channel B to a follower, using the Channel A voltage regulation and error amplifier as well as PMBus interface.
- VSHARE_A and VSHARE_B are connected together along with BCX_CLK A and B, and BCX_DAT A and B.
- MSEL1, VSEL, ADRSEL, PGOOD, PMB_CLK, and PMB_DAT on Channel B are all unused, and connected to GND.

8.3.2.1 Switching Frequency

Only the loop controller device needs a resistor divider at the MSEL1 pin to program [USER_DATA_01 \(COMPENSATION_CONFIG\)](#) and [FREQUENCY_SWITCH](#). The MSEL1 pin of secondary channels are not used. In this design, a moderate switching frequency of 650kHz achieves both a small design size and a high-efficiency operation. Use the MSEL1 pin program table to select the frequency option. See [Table 6-8](#) for resistor divider code selection. With 650kHz switching frequency, two resistors to AGND and BP1V5 can be used to program compensation settings 30. To program all 32 compensation settings possible through MSEL1, resistor divider code 9 sets the switching frequency to 650kHz.

8.3.2.2 Output Voltage Setting (VSEL Pin)

Only the loop controller device needs a resistor divider at the VSEL pin to program the output voltage. The VSEL pin of loop follower devices are not used. The resistor divider code selected for this 3.32V output example using [Table 6-12](#) is two resistors to AGND and BP1V5. With the resistor divider code selected for the range of VOUT, select the resistor to AGND code with the VOUT_COMMAND Offset and VOUT_COMMAND step from the [Table 6-13](#). With $V_{OUT} = 3.32V$, $V_{OUT_COMMAND(Offset)} = 3V$ and $V_{OUT_COMMAND(STEP)} = 0.04$, the result is R2G code 8. A 21.5k Ω resistor to AGND and 12.1k Ω to BP1V5 at VSEL programs the desired setting.

8.3.2.3 Compensation Selection (MSEL1 Pin)

Only the loop controller device uses two resistors to AGND and BP1V5 for MSEL1 to program the [\(B1h\) USER_DATA_01 \(COMPENSATION_CONFIG\)](#) values to set the following voltage loop and current loop gains. The MSEL1 pin of the loop follower devices are not used. For options other than the EEPROM code (MSEL1 shorted to AGND or MSEL1 to AGND resistor code 0), the current and voltage loop zero and pole frequencies are scaled with the programmed switching frequency. See [Section 8.2.2.4](#) for more details.

8.3.2.4 Output Capacitor Selection

The target maximum output-voltage ripple is 10mV. Under this requirement, the minimum output capacitance for ripple is $2 \times 165\mu F$. Depending on the duty cycle and the number of phases, there can also be some inductor ripple current cancellation. This inductor ripple current cancellation reduces the amount of ripple current the capacitors must absorb, reducing the output voltage ripple. This capacitance value is smaller than the output capacitance required for the transient response, so select the output capacitance value based on the transient requirement. Considering the variation and derating of capacitance, in this design, $4 \times 330\mu F$ low-ESR tantalum polymer bulk capacitors and $18 \times 100\mu F$ ceramic capacitors were selected to meet the transient specification with sufficient margin. The selected nominal C_{OUT} is equal to 3120 μF . The 330 μF capacitors selected have an ESR of 6m Ω .

With the output capacitance value selected, the ESR must be considered because this example uses mixed output capacitor types. First, use [Equation 15](#) to calculate the maximum allowable impedance for the output capacitor bank at the switching frequency to meet the output voltage ripple specification. [Equation 16](#) indicates the output capacitor bank impedance must be less than 0.27m Ω . The impedance of the ceramic capacitors alone is calculated with [Equation 18](#) to be 0.25m Ω . This amount is much less than the calculated maximum, so the ESR of tantalum polymer capacitors must not be considered for the output ripple specification.

8.3.2.5 Input Capacitor Selection

Using [Equation 19](#), the maximum input RMS current is 11.8A and the input capacitors must be rated to handle this current. When calculating this, the maximum output current must be divided by the number of phases. The output current is divided by the number of phases because the switching nodes are interleaved. Interleaving the switching node effectively divides the amplitude of the current pulses the input capacitor by the number of phases. With the 16V maximum input in this example, a ceramic capacitor with at least a 25V voltage rating is required to support the maximum input voltage.

For this design, allow 0.1V input ripple for $V_{RIPPLE(cap)}$ and 0.2V input ripple for $V_{RIPPLE(esr)}$. Using [Equation 20](#) and [Equation 21](#), the minimum input capacitance for this design is $2 \times 79.3\mu F$ and the maximum ESR is half of 6.83m Ω , respectively. Again, the maximum output current must be divided by the number of phases and the calculated capacitance must be placed near the loop controller device and all of the loop follower devices. $8 \times 22\mu F$, 25V ceramic capacitors and $4 \times 6800pF$, 25V ceramic capacitors in parallel were selected to bypass the

power stage with sufficient margin. Additionally, $2 \times 100\mu\text{F}$, 25V low-ESR electrolytic capacitors were placed on the input to minimize deviations on the input during transients. These capacitors are distributed equally between the phases. To minimize the high frequency ringing, the high frequency 6800pF PVIN bypass capacitors must be placed close to power stage.

When stacking converters the amount of input RMS current and the amount of input capacitance required can be further reduced. The amount of ripple cancellation depends on the number of phases and the duty cycle. PCB inductance between the phases can also reduce the effects of ripple cancellation. The calculations given in this example ignore the effects of ripple cancellation.

8.3.2.6 GOSNS/Loop Follower Pin of Loop Follower Devices

Loop follower devices must have the GOSNS/Loop Follower pin tied to BP1V5 through a resistor. TI recommends a 10k Ω resistor.

8.3.2.7 Soft Start, Overcurrent Protection, and Stacking Configuration (MSEL2 Pin)

The resistor divider code for MSEL2 pin of the loop controller device (U1) selects the soft-start values. The resistor to AGND determines the number of devices sharing common output and the overcurrent thresholds. Use [Table 6-10](#) and [Table 6-11](#) to select the resistor values. In this two-phase design, the desired settings can be selected by floating the MSEL2 pin. This action selects 3ms soft-start time, the highest current limit thresholds and two-phase configuration.

In stackable configuration, follower modules use the resistor from MSEL2 to AGND to program [IOUT_OC_WARN_LIMIT](#), [IOUT_OC_FAULT_LIMIT](#), [MFR_SPECIFIC_28 \(STACK_CONFIG\)](#), and [INTERLEAVE](#). The loop follower receive all other pin programmed values from the loop controller over the back-channel communication (BCX_CLK and BCX_DAT) as part of the power-on reset function. In this two-phase design, the desired settings can be selected by floating the MSEL2 pin of the loop follower device. This action selects the 30/39A current limit thresholds and programs the loop follower device to be the 180° out of phase from the loop controller device.

8.3.2.8 Enable, UVLO

TI recommends connecting the EN pins of stacked devices together. When this connection is done, the hysteresis current is multiplied by the number devices stacked. This increased hysteresis current must be included in calculations for a resistor divider to the EN pins. See [Section 8.2.2.8](#) for more details.

8.3.2.9 VSHARE Pin

When using a stacked configuration, bypass the VSHARE pin of each device to AGND with a 33pF or larger capacitor. This is optional because this capacitor is integrated internally in the module. This capacitor is used to prevent external noise from adding to the VSHARE signal between stacked devices.

8.3.2.9.1 ADRSEL Pin

Only the loop controller device (U1) needs a resistor divider at the ADRSEL pin. In this example, the ADRSEL pin is left floating. This sets the PMBus loop follower address to the EEPROM value, 0x24h (36d) by default, and the SYNC pin to auto detect with 0 degrees phase shift. Use [Table 6-14](#) and [Table 6-15](#) to select the resistor to AGND code and resistor divider code needed for the desired configuration.

8.3.2.10 SYNC Pin

The SYNC pins of stacked devices must be connected together. The follower modules are always configured for SYNC_IN while the primary module (U1) can be configured for auto-detect, SYNC_IN or SYNC_OUT.

8.3.2.11 VOSNS Pin of Loop Follower Devices

The VOSNS pin of loop follower devices can be used to monitor voltages other than VOUT through the [READ_VOUT](#) command. A resistor divider must be used to scale to voltage at VOSNS to be less than 0.75V. The appropriate phase must be selected using the [PHASE](#) command.

8.3.2.12 Unused Pins of Loop Follower Devices

Multiple pins of loop follower devices are not used and TI recommends grounding to the thermal pad. See [Table 6-5](#) for more information.

8.3.3 Two-Phase Application Curves

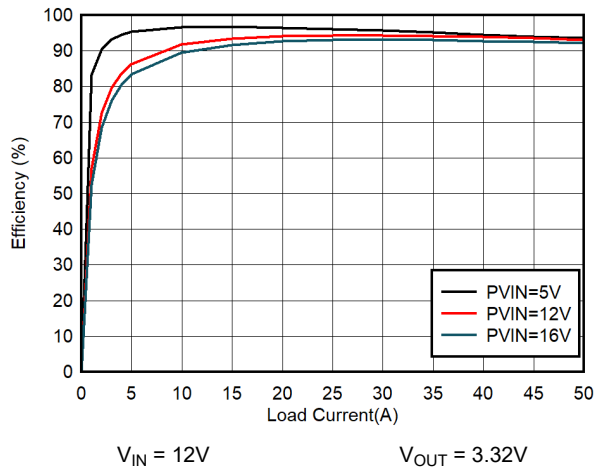


Figure 8-11. Efficiency vs Output Current

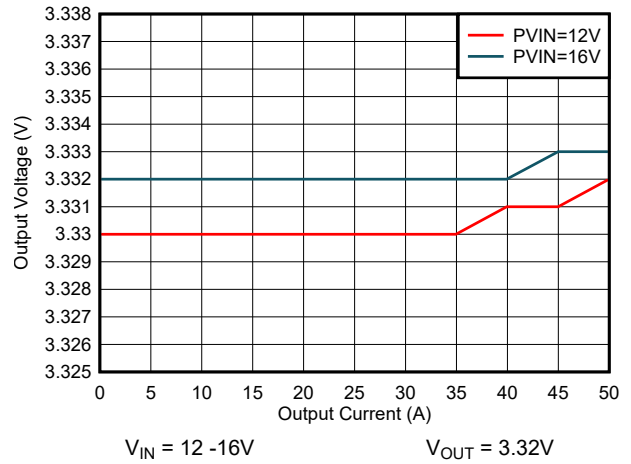


Figure 8-12. Load Regulation

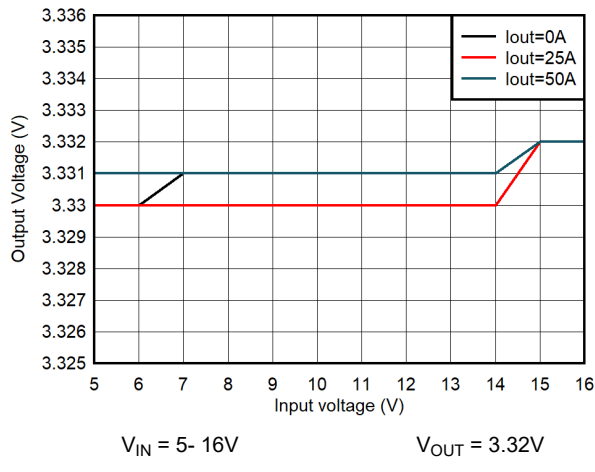


Figure 8-13. Line Regulation

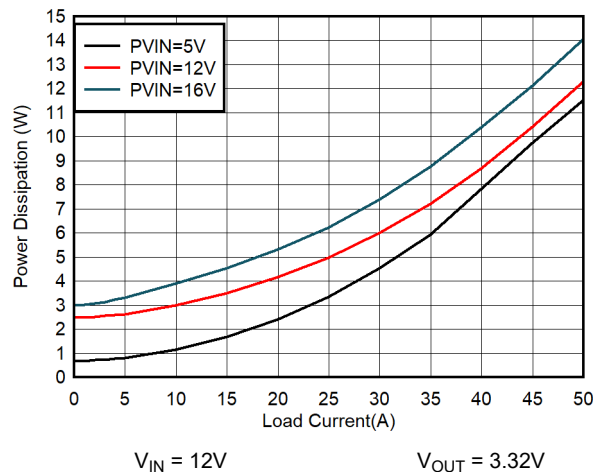


Figure 8-14. Power Dissipation

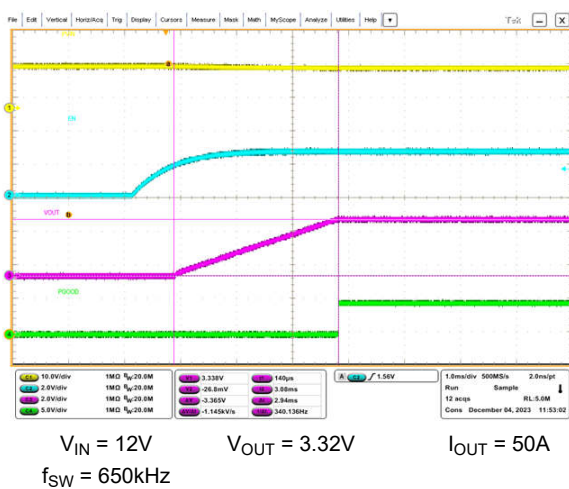


Figure 8-15. Start-Up from EN

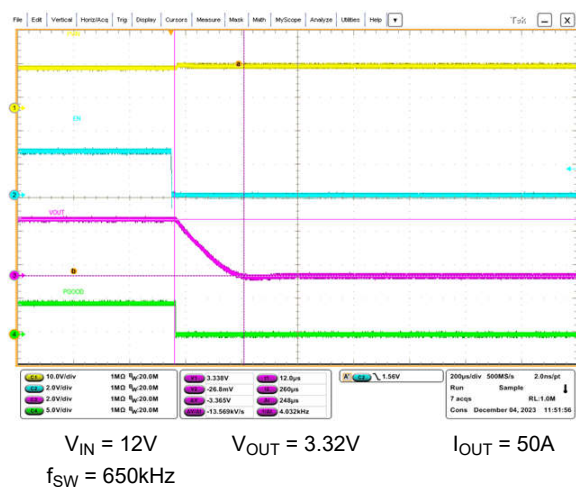
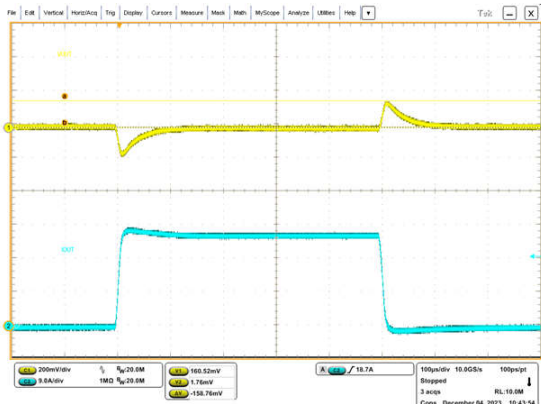
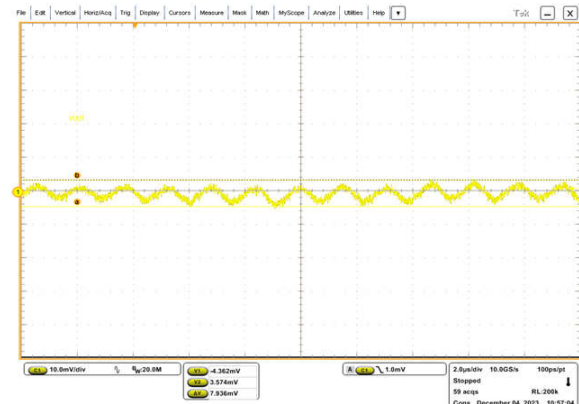


Figure 8-16. Shutdown from EN



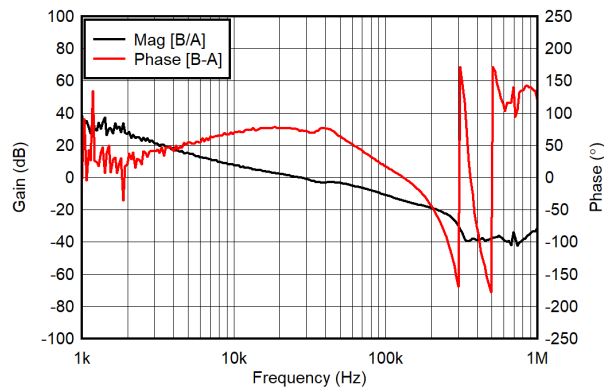
$V_{IN} = 12V$ $V_{OUT} = 3.32V$ $I_{OUT} = 0A \text{ to } 25A,$
2.5A/ μs

Figure 8-17. Load Transient Response



$V_{IN} = 12V$ $V_{OUT} = 3.32V$ $I_{OUT} = 50A$

Figure 8-18. V_{OUT} Steady-State Ripple



$V_{IN} = 12V$
 $f_{SW} = 650kHz$

$V_{OUT} = 3.32V$

$I_{OUT} = 50A$

Figure 8-19. Total-Loop Bode Plot

8.4 Power Supply Recommendations

The TPSM8S6B24S devices are designed to operate from split input voltage supplies. AVIN is designed to operate from 2.95V to 18V. AVIN must be powered to enable POR, PMBus communication, or output conversion. For AVIN voltages less than 4V, VDD5 must be supplied with an input voltage greater than 4V to enable switching. PVIN is designed to operate from 2.95V to 16V. PVIN must be powered to enable switching, but not for POR or PMBus communication. The can be operated from a single 4V or higher supply voltage by connecting AVIN to PVIN. TI recommends a 10Ω resistor between AVIN and PVIN to reduce switching noise on AVIN. See the recommendations in [Section 8.5](#).

8.5 Layout

8.5.1 Layout Guidelines

Layout is critical for good power-supply design. [Section 8.5.2](#) shows the recommended PCB-layout configuration. A list of PCB layout considerations using these devices is listed as follows:

- Minimize the loop area formed by power or signal paths and the bypass connections. As with any switching regulator, several power or signal paths exist that conduct fast switching voltages or currents.
- Bypass the PVIN pins to PGND with a low-impedance path. Place the input bypass capacitors of the power-stage as close as physically possible to the PVIN and PGND pins. A high-frequency bypass capacitor is integrated to reduce switching spikes and EMI. Additional EMI bypass capacitor can be placed on the other side of the PCB directly underneath the device to keep a minimum loop.
- Keep signal components local to the device, and place them as close as possible to the pins to which the signal components are connected. These components include the VOSNS and GOSNS series resistors and differential filter capacitor as well as MSEL1, MSEL2, VSEL, and ADRSEL resistors. Those components can be terminated to AGND with a minimum return loop or bypassed to the copper area of a separate low-impedance analog ground (AGND) that is isolated from fast switching voltages and current paths and has single connection to PGND on the thermal pad through the AGND pin. For placement recommendations, see [Section 8.5.2](#).
- Connect the PGND pins directly to the thermal pad of the device on the PCB, with a low-noise, low-impedance path.
- Route the VOSNS and GOSNS lines from the output capacitor bank at the load back to the device pins as a tightly coupled differential pair. These traces must be kept away from switching or noisy areas which can add differential-mode noise.
- Use caution when routing of the SYNC, VSHARE, BCX_CLK, and BCX_DAT traces for stackable configurations. The SYNC trace carries a rail-to-rail signal and must be routed away from sensitive analog signals, including the VSHARE, VOSNS, and GOSNS signals. The VSHARE traces must also be kept away from fast switching voltages or currents formed by the PVIN, AVIN, SW, and VDD5 pins.

8.5.2 Layout Example

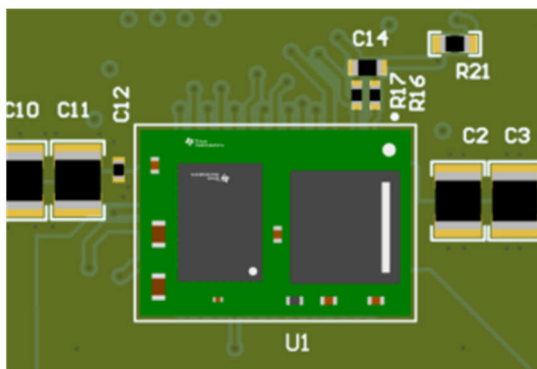


Figure 8-20. Top-Layer Components (Top View)

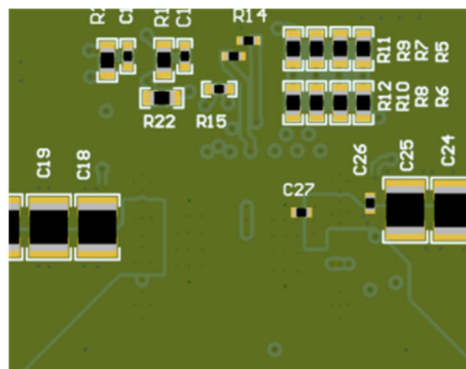


Figure 8-21. Bottom-Layer Components (Top View)

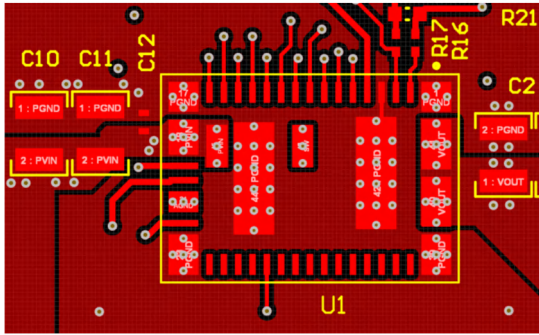


Figure 8-22. Top-Layer Layout (Top View)

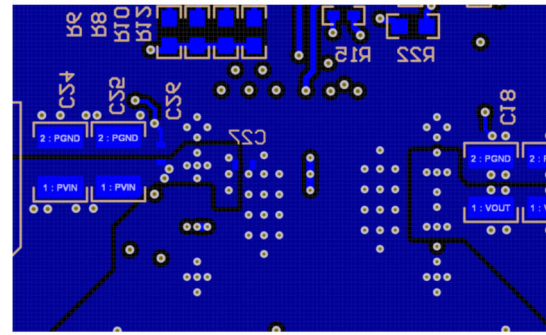


Figure 8-23. Bottom-Layer Layout (Top View)

8.5.2.1 Thermal Performance on the TI EVM

Test conditions: $f_{SW} = 650\text{kHz}$, $V_{IN} = 12\text{V}$, $V_{OUT} = 3.32\text{V}$, $I_{OUT} = 25\text{A}$, Airflow = 200LFM, Peak module temp: 96°C

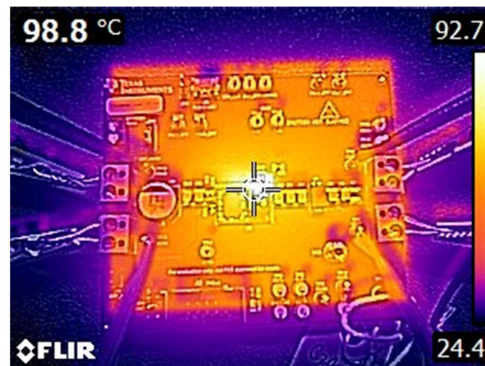


Figure 8-24. Thermal Image at 25°C Ambient, 12 Vin, 3.32V, 25A, 650kHz

9 Device and Documentation Support

9.1 Device Support

9.1.1 Third-Party Products Disclaimer

TI'S PUBLICATION OF INFORMATION REGARDING THIRD-PARTY PRODUCTS OR SERVICES DOES NOT CONSTITUTE AN ENDORSEMENT REGARDING THE SUITABILITY OF SUCH PRODUCTS OR SERVICES OR A WARRANTY, REPRESENTATION OR ENDORSEMENT OF SUCH PRODUCTS OR SERVICES, EITHER ALONE OR IN COMBINATION WITH ANY TI PRODUCT OR SERVICE.

9.1.2 Development Support

9.1.2.1 Texas Instruments Fusion Digital Power Designer

The TPSM8S6B24S is supported by Texas Instruments Digital Power Designer. Fusion Digital Power Designer is a graphical user interface (GUI) which can be used to configure and monitor the devices through PMBus using a Texas Instruments USB-to-GPIO adapter.

See [Fusion Digital Power Designer](#) to download the Texas Instruments software package.

9.1.2.2 Custom Design With WEBENCH® Tools

[Click here](#) to create a custom design using the TPSM8S6B24S device with the WEBENCH® Power Designer.

1. Start by entering the input voltage (V_{IN}), output voltage (V_{OUT}), and output current (I_{OUT}) requirements.
2. Optimize the design for key parameters such as efficiency, footprint, and cost using the optimizer dial.
3. Compare the generated design with other possible solutions from Texas Instruments.

The WEBENCH Power Designer provides a customized schematic along with a list of materials with real-time pricing and component availability.

In most cases, these actions are available:

- Run electrical simulations to see important waveforms and circuit performance
- Run thermal simulations to understand board thermal performance
- Export customized schematic and layout into popular CAD formats
- Print PDF reports for the design, and share the design with colleagues

Get more information about WEBENCH tools at www.ti.com/WEBENCH.

9.2 Receiving Notification of Documentation Updates

To receive notification of documentation updates, navigate to the device product folder on ti.com. Click on *Notifications* to register and receive a weekly digest of any product information that has changed. For change details, review the revision history included in any revised document.

9.3 Support Resources

[TI E2E™ support forums](#) are an engineer's go-to source for fast, verified answers and design help — straight from the experts. Search existing answers or ask your own question to get the quick design help you need.

Linked content is provided "AS IS" by the respective contributors. They do not constitute TI specifications and do not necessarily reflect TI's views; see TI's [Terms of Use](#).

9.4 Trademarks

TI E2E™ is a trademark of Texas Instruments.

PMBus® is a registered trademark of System Management Interface Forum, Inc..

WEBENCH® is a registered trademark of Texas Instruments.

All trademarks are the property of their respective owners.

9.5 Electrostatic Discharge Caution



This integrated circuit can be damaged by ESD. Texas Instruments recommends that all integrated circuits be handled with appropriate precautions. Failure to observe proper handling and installation procedures can cause damage.

ESD damage can range from subtle performance degradation to complete device failure. Precision integrated circuits may be more susceptible to damage because very small parametric changes could cause the device not to meet its published specifications.

9.6 Glossary

[TI Glossary](#) This glossary lists and explains terms, acronyms, and definitions.

10 Revision History

NOTE: Page numbers for previous revisions may differ from page numbers in the current version.

| DATE | REVISION | NOTES |
|---------------|----------|-----------------|
| February 2024 | * | Initial Release |

11 Mechanical, Packaging, and Orderable Information

The following pages include mechanical packaging and orderable information. This information is the most current data available for the designated devices. These data is subject to change without notice and revision of this document. For browser-based versions of this data sheet, refer to the left-hand navigation.

PACKAGING INFORMATION

| Orderable Device | Status (1) | Package Type | Package Drawing | Pins | Package Qty | Eco Plan (2) | Lead finish/ Ball material (6) | MSL Peak Temp (3) | Op Temp (°C) | Device Marking (4/5) | Samples |
|------------------|---------------|--------------|-----------------|------|-------------|-----------------|--------------------------------------|----------------------|--------------|-------------------------|---------|
| TPSM8S6B24MOYR | ACTIVE | QFM | MOY | 45 | 500 | RoHS & Green | NIAU | Level-3-260C-168 HR | -40 to 125 | TPSM8S6B24 MOY | Samples |

(1) The marketing status values are defined as follows:

ACTIVE: Product device recommended for new designs.

LIFEBUY: TI has announced that the device will be discontinued, and a lifetime-buy period is in effect.

NRND: Not recommended for new designs. Device is in production to support existing customers, but TI does not recommend using this part in a new design.

PREVIEW: Device has been announced but is not in production. Samples may or may not be available.

OBSOLETE: TI has discontinued the production of the device.

(2) **RoHS:** TI defines "RoHS" to mean semiconductor products that are compliant with the current EU RoHS requirements for all 10 RoHS substances, including the requirement that RoHS substance do not exceed 0.1% by weight in homogeneous materials. Where designed to be soldered at high temperatures, "RoHS" products are suitable for use in specified lead-free processes. TI may reference these types of products as "Pb-Free".

RoHS Exempt: TI defines "RoHS Exempt" to mean products that contain lead but are compliant with EU RoHS pursuant to a specific EU RoHS exemption.

Green: TI defines "Green" to mean the content of Chlorine (Cl) and Bromine (Br) based flame retardants meet JS709B low halogen requirements of <=1000ppm threshold. Antimony trioxide based flame retardants must also meet the <=1000ppm threshold requirement.

(3) MSL, Peak Temp. - The Moisture Sensitivity Level rating according to the JEDEC industry standard classifications, and peak solder temperature.

(4) There may be additional marking, which relates to the logo, the lot trace code information, or the environmental category on the device.

(5) Multiple Device Markings will be inside parentheses. Only one Device Marking contained in parentheses and separated by a "~" will appear on a device. If a line is indented then it is a continuation of the previous line and the two combined represent the entire Device Marking for that device.

(6) Lead finish/Ball material - Orderable Devices may have multiple material finish options. Finish options are separated by a vertical ruled line. Lead finish/Ball material values may wrap to two lines if the finish value exceeds the maximum column width.

Important Information and Disclaimer:The information provided on this page represents TI's knowledge and belief as of the date that it is provided. TI bases its knowledge and belief on information provided by third parties, and makes no representation or warranty as to the accuracy of such information. Efforts are underway to better integrate information from third parties. TI has taken and continues to take reasonable steps to provide representative and accurate information but may not have conducted destructive testing or chemical analysis on incoming materials and chemicals. TI and TI suppliers consider certain information to be proprietary, and thus CAS numbers and other limited information may not be available for release.

In no event shall TI's liability arising out of such information exceed the total purchase price of the TI part(s) at issue in this document sold by TI to Customer on an annual basis.

TAPE AND REEL INFORMATION

QUADRANT ASSIGNMENTS FOR PIN 1 ORIENTATION IN TAPE

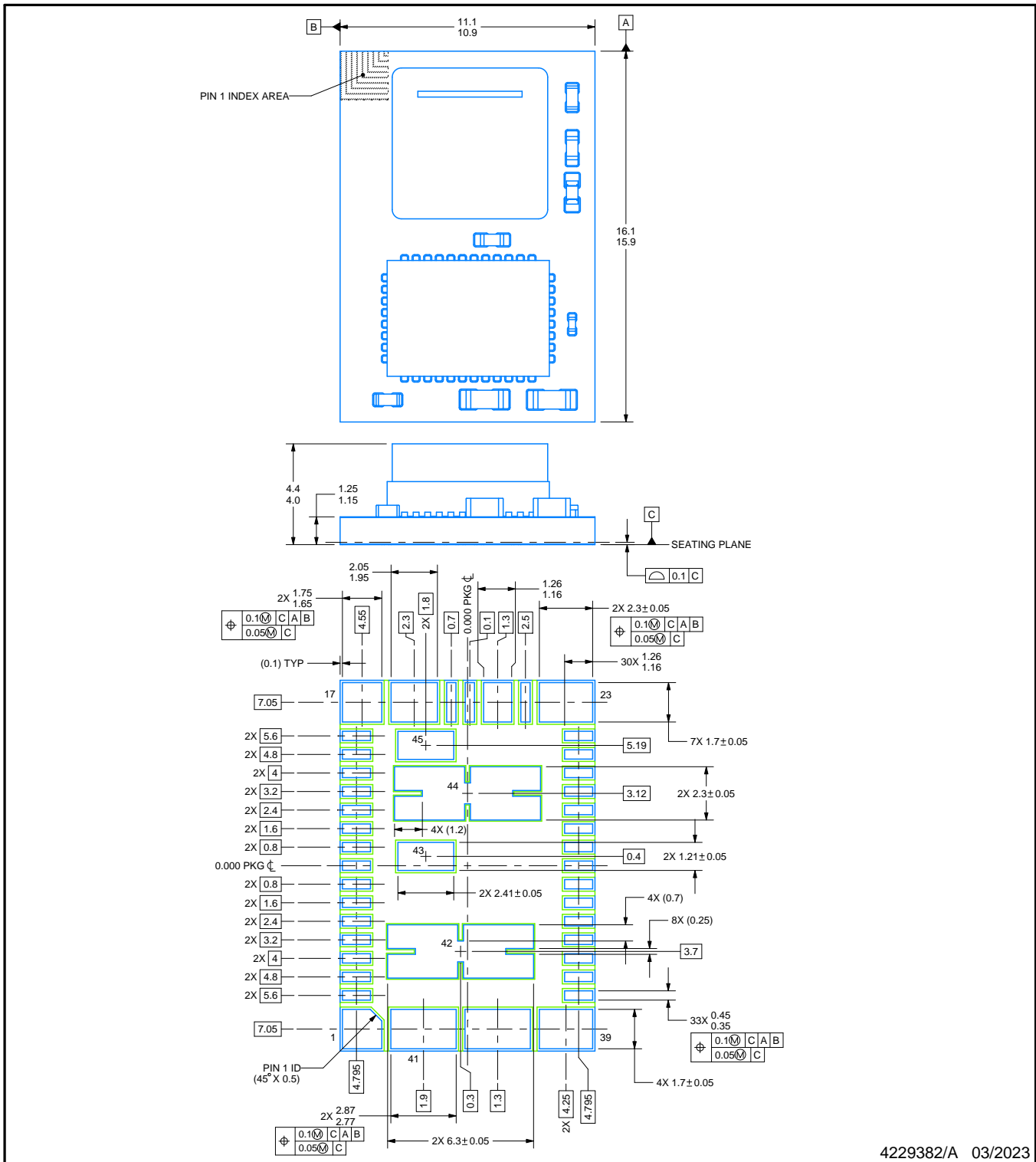

*All dimensions are nominal

| Device | Package Type | Package Drawing | Pins | SPQ | Reel Diameter (mm) | Reel Width W1 (mm) | A0 (mm) | B0 (mm) | K0 (mm) | P1 (mm) | W (mm) | Pin1 Quadrant |
|----------------|--------------|-----------------|------|-----|--------------------|--------------------|---------|---------|---------|---------|--------|---------------|
| TPSM8S6B24MOYR | QFM | MOY | 45 | 500 | 330.2 | 32.4 | 11.4 | 16.4 | 4.69 | 16.0 | 32.0 | Q1 |

TAPE AND REEL BOX DIMENSIONS


*All dimensions are nominal

| Device | Package Type | Package Drawing | Pins | SPQ | Length (mm) | Width (mm) | Height (mm) |
|----------------|--------------|-----------------|------|-----|-------------|------------|-------------|
| TPSM8S6B24MOYR | QFM | MOY | 45 | 500 | 381.0 | 381.0 | 101.6 |



4229382/A 03/2023

NOTES:

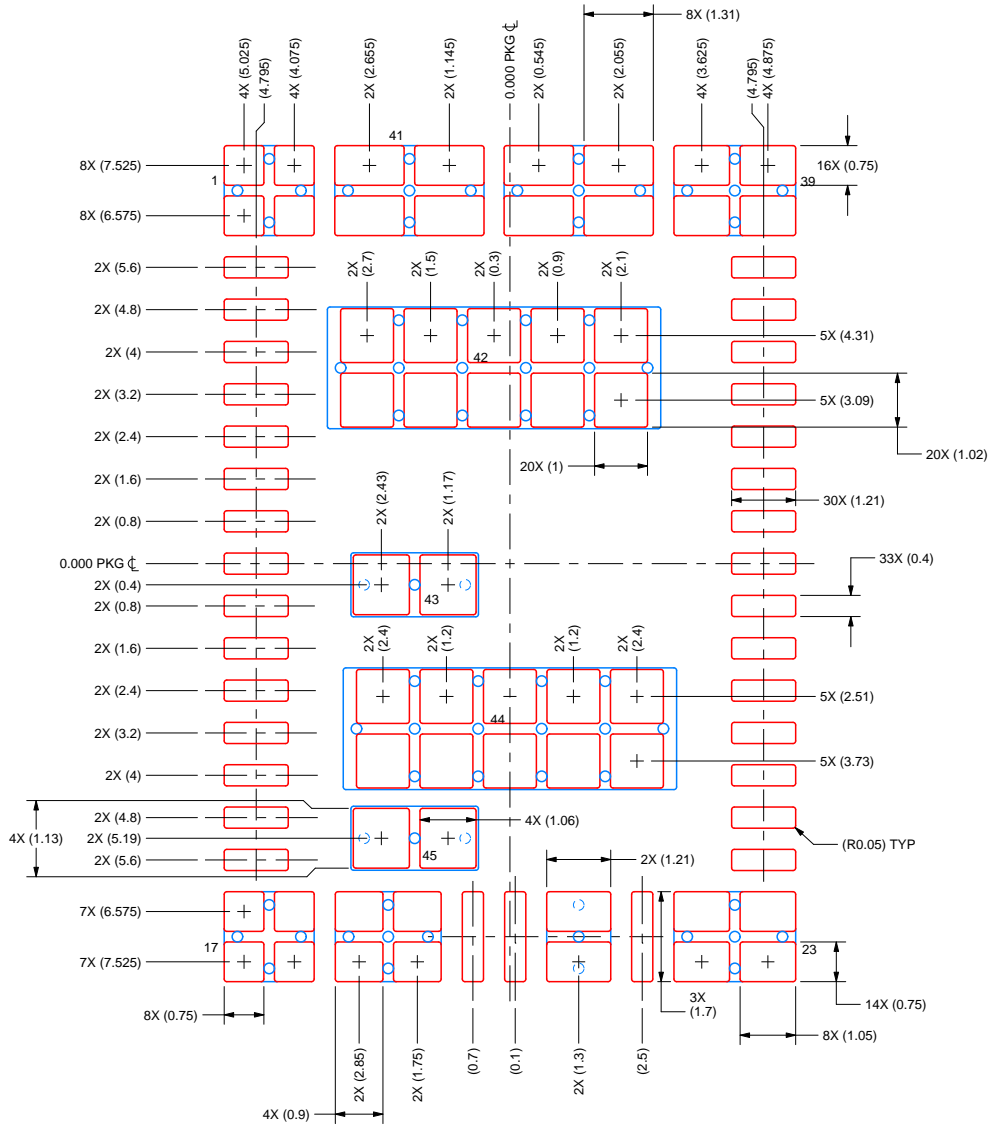
1. All linear dimensions are in millimeters. Any dimensions in parenthesis are for reference only. Dimensioning and tolerancing per ASME Y14.5M.
2. This drawing is subject to change without notice.
3. The package thermal pads must be soldered to the printed circuit board for optimal thermal and mechanical performance.

EXAMPLE STENCIL DESIGN

MOY0045A

QFM - 4.4 mm max height

QUAD FLATPACK MODULE - NO LEAD



SOLDER PASTE EXAMPLE
 BASED ON 0.125 mm THICK STENCIL
 SCALE: 7X

PRINTED SOLDER COVERAGE BY AREA UNDER PACKAGE
 PINS 1 & 17: 78%
 PINS 18, 23 & 39: 80%
 PIN 21: 88%
 PINS 40, 41, 43 & 45: 82%
 PINS 42 & 44: 70%

IMPORTANT NOTICE AND DISCLAIMER

TI PROVIDES TECHNICAL AND RELIABILITY DATA (INCLUDING DATA SHEETS), DESIGN RESOURCES (INCLUDING REFERENCE DESIGNS), APPLICATION OR OTHER DESIGN ADVICE, WEB TOOLS, SAFETY INFORMATION, AND OTHER RESOURCES "AS IS" AND WITH ALL FAULTS, AND DISCLAIMS ALL WARRANTIES, EXPRESS AND IMPLIED, INCLUDING WITHOUT LIMITATION ANY IMPLIED WARRANTIES OF MERCHANTABILITY, FITNESS FOR A PARTICULAR PURPOSE OR NON-INFRINGEMENT OF THIRD PARTY INTELLECTUAL PROPERTY RIGHTS.

These resources are intended for skilled developers designing with TI products. You are solely responsible for (1) selecting the appropriate TI products for your application, (2) designing, validating and testing your application, and (3) ensuring your application meets applicable standards, and any other safety, security, regulatory or other requirements.

These resources are subject to change without notice. TI grants you permission to use these resources only for development of an application that uses the TI products described in the resource. Other reproduction and display of these resources is prohibited. No license is granted to any other TI intellectual property right or to any third party intellectual property right. TI disclaims responsibility for, and you will fully indemnify TI and its representatives against, any claims, damages, costs, losses, and liabilities arising out of your use of these resources.

TI's products are provided subject to [TI's Terms of Sale](#) or other applicable terms available either on [ti.com](https://www.ti.com) or provided in conjunction with such TI products. TI's provision of these resources does not expand or otherwise alter TI's applicable warranties or warranty disclaimers for TI products.

TI objects to and rejects any additional or different terms you may have proposed.

Mailing Address: Texas Instruments, Post Office Box 655303, Dallas, Texas 75265
Copyright © 2024, Texas Instruments Incorporated