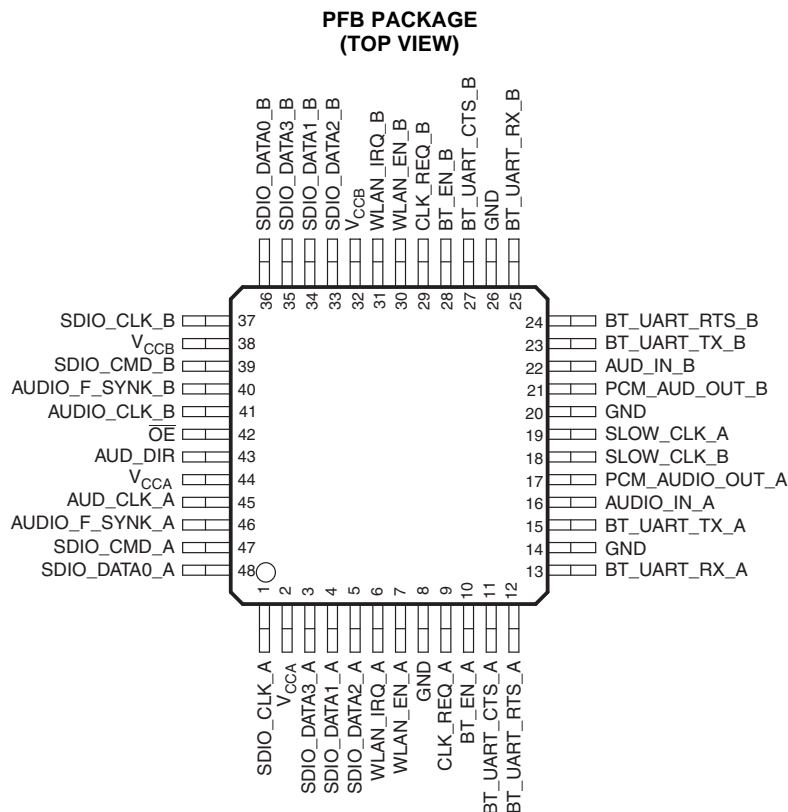


SDIO, UART, AND AUDIO VOLTAGE-TRANSLATION TRANSCEIVER

 Check for Samples: [TWL1200-Q1](#)

FEATURES

- Qualified for Automotive Applications
- AEC-Q100 Test Guidance With the Following Results:
 - Device Temperature Grade 3: –40°C to +85°C Ambient Operating Temperature Range
 - Device HBM ESD Classification Level H1C
 - Device CDM ESD Classification Level C3B
- Level Translator
 - V_{CCA} and V_{CCB} Range of 1.1 V to 3.6 V
- Seamlessly Bridges 1.8-V/2.6-V Digital-Switching Compatibility Gap Between 2.6-V processors and TI's Wi-Link (WL1271 and WL1273)
- Latch-Up Performance Exceeds 100 mA per JESD 78, Class II



Please be aware that an important notice concerning availability, standard warranty, and use in critical applications of Texas Instruments semiconductor products and disclaimers thereto appears at the end of this data sheet.

DESCRIPTION

The TWL1200-Q1 is a 19-bit voltage translator specifically designed to bridge seamlessly the 1.8-V/2.6-V digital-switching compatibility gap between 2.6-V baseband and the TI Wi-Link-6 (WL1271/3). The device is optimized for SDIO, UART, and audio functions. The TWL1200-Q1 has two supply-voltage pins, V_{CCA} and V_{CCB} , that can be operated over the full range of 1.1 V to 3.6 V. The TWL1200-Q1 enables system designers easily to interface applications processors or digital basebands to peripherals operating at a different I/O voltage levels, such as the TI Wi-Link-6 (WL1271/3) or other SDIO/memory cards.

The TWL1200-Q1 is offered in a thin quad flat pack [TQFP (PFB)] package. Low static power consumption and small package size make the TWL1200-Q1 an ideal choice for mobile-phone applications.



This integrated circuit can be damaged by ESD. Texas Instruments recommends that all integrated circuits be handled with appropriate precautions. Failure to observe proper handling and installation procedures can cause damage.

ESD damage can range from subtle performance degradation to complete device failure. Precision integrated circuits may be more susceptible to damage because very small parametric changes could cause the device not to meet its published specifications.

ORDERING INFORMATION⁽¹⁾

T_A	PACKAGE ⁽²⁾		ORDERABLE PART NUMBER	TOP-SIDE MARKING
-40°C to 85°C	TQFP – PFB	Tape and reel	TWL1200IPFBRQ1	TWL1200Q1

(1) For the most-current package and ordering information, see the Package Option Addendum at the end of this document, or see the TI Web site at www.ti.com.

(2) Package drawings, thermal data, and symbolization are available at www.ti.com/packaging.

TERMINAL FUNCTIONS

TERMINAL		TYPE	DESCRIPTION
NAME	NO.		
AUD_CLK_A	45	I/O	Connected to baseband audio subsystem; drive strength = 4 mA
AUDIO_CLK_B	41	I/O	Connected to Wi-Link-6 PCM subsystem; drive strength = 4 mA
AUD_DIR	43	I	Direction control signal for AUDIO_CLK and AUDIO_F-SYNK signals
AUDIO_F_SYNK_A	46	I/O	Connected to baseband audio subsystem; drive strength = 4 mA
AUDIO_F_SYNK_B	40	I/O	Connected to Wi-Link-6 PCM subsystem; drive strength = 4 mA
AUDIO_IN_A	16	I	Connected to baseband audio subsystem
AUD_IN_B	22	O	Connected to Wi-Link-6 PCM subsystem; drive strength = 4 mA
BT_EN_A	10	I	Connected to baseband UART subsystem
BT_EN_B	28	O	Connected to BT UART subsystem of Wi-Link-6; drive strength = 2 mA
BT_UART_CTS_A	11	I	Connected to baseband UART subsystem
BT_UART_CTS_B	27	O	Connected to BT UART subsystem of Wi-Link-6; drive strength = 4 mA
BT_UART_RTS_A	12	O	Connected to baseband UART subsystem; drive strength = 4 mA
BT_UART_RTS_B	24	I	Connected to BT UART subsystem of Wi-Link-6
BT_UART_RX_A	13	I	Connected to baseband UART subsystem
BT_UART_RX_B	25	O	Connected to BT UART subsystem of Wi-Link-6; drive strength = 8 mA
BT_UART_TX_A	15	O	Connected to baseband UART subsystem; drive strength = 8 mA
BT_UART_TX_B	23	I	Connected to BT UART subsystem of Wi-Link-6
CLK_REQ_A	9	O	Connected to baseband SDIO controller; drive strength = 4 mA
CLK_REQ_B	29	I	Connected to SD/SDIO peripheral
GND	8, 14, 20, 26		Ground
\overline{OE}	42	I	Output enable (active low)
PCM_AUDIO_OUT_A	17	O	Connected to baseband audio subsystem; drive strength = 4 mA
PCM_AUD_OUT_B	21	I	Connected to Wi-Link-6 PCM subsystem
SDIO_CLK_A	1	I	Clock signal connected to baseband SDIO controller. Referenced to V_{CCA}
SDIO_CLK_B	37	O	Clock signal connected to SD/SDIO peripheral. Referenced to V_{CCB} ; drive strength = 8 mA

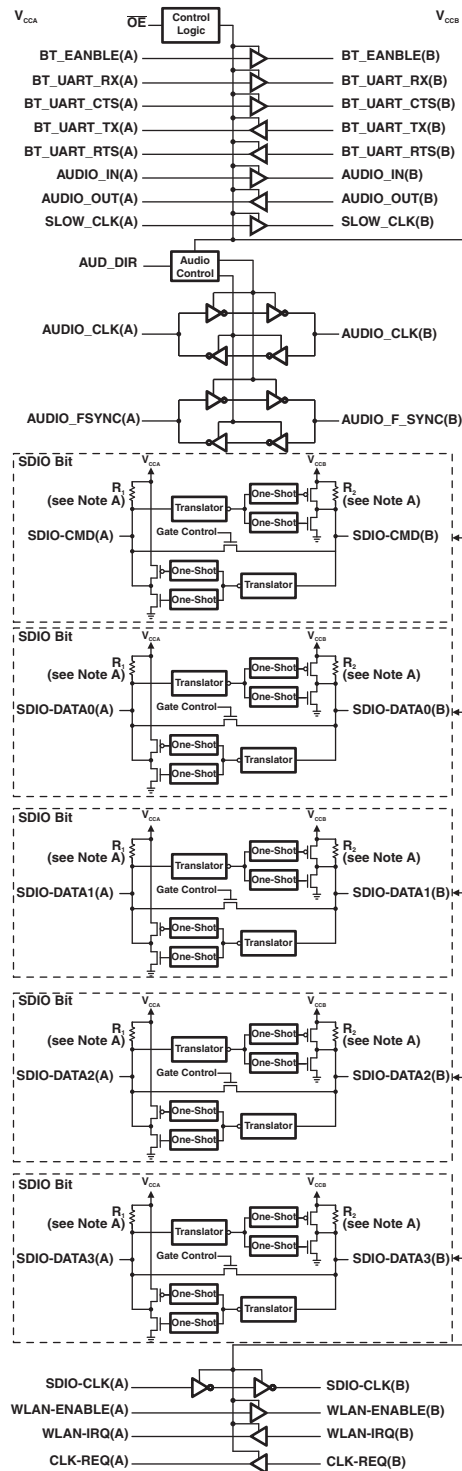
TERMINAL FUNCTIONS (continued)

TERMINAL		TYPE	DESCRIPTION
NAME	NO.		
SDIO_CMD_A	47	I/O	Command bit connected to baseband SDIO controller. Referenced to V _{CCA} .
SDIO_CMD_B	39	I/O	Command bit connected to SD/SDIO peripheral. Includes a 15-kΩ pullup resistor to V _{CCB} .
SDIO_DATA0_A	48	I/O	Data bit 1 connected to baseband SDIO controller
SDIO_DATA0_B	36	I/O	Data bit 0 connected to SD/SDIO peripheral
SDIO_DATA1_A	4	I/O	Data bit 1 connected to baseband SDIO controller
SDIO_DATA1_B	34	I/O	Data bit 1 connected to SD/SDIO peripheral
SDIO_DATA2_A	5	I/O	Data bit 2 connected to baseband SDIO controller
SDIO_DATA2_B	33	I/O	Data bit 2 connected to SD/SDIO peripheral
SDIO_DATA3_A	3	I/O	Data bit 3 connected to baseband SDIO controller
SDIO_DATA3_B	35	I/O	Data bit 3 connected to SD/SDIO peripheral
SLOW_CLK_A	19	I	Low frequency 32-kHz clock connected to baseband device
SLOW_CLK_B	18	O	Low frequency 32-kHz clock connected to Wi-Link-6 device; drive strength = 2 mA
V _{CCA}	2, 44	Pwr	A-side supply voltage (1.1 V to 3.6 V)
V _{CCB}	32, 38	Pwr	B-side supply voltage (1.1 V to 3.6 V)
WLAN_EN_A	7	I	Connected to baseband SDIO controller
WLAN_EN_B	30	O	Connected to SD/SDIO peripheral; drive strength = 2 mA
WLAN_IRQ_A	6	O	Connected to baseband SDIO controller; drive strength = 4 mA
WLAN_IRQ_B	31	I	Connected to SD/SDIO peripheral

Table 1. FUNCTION TABLE

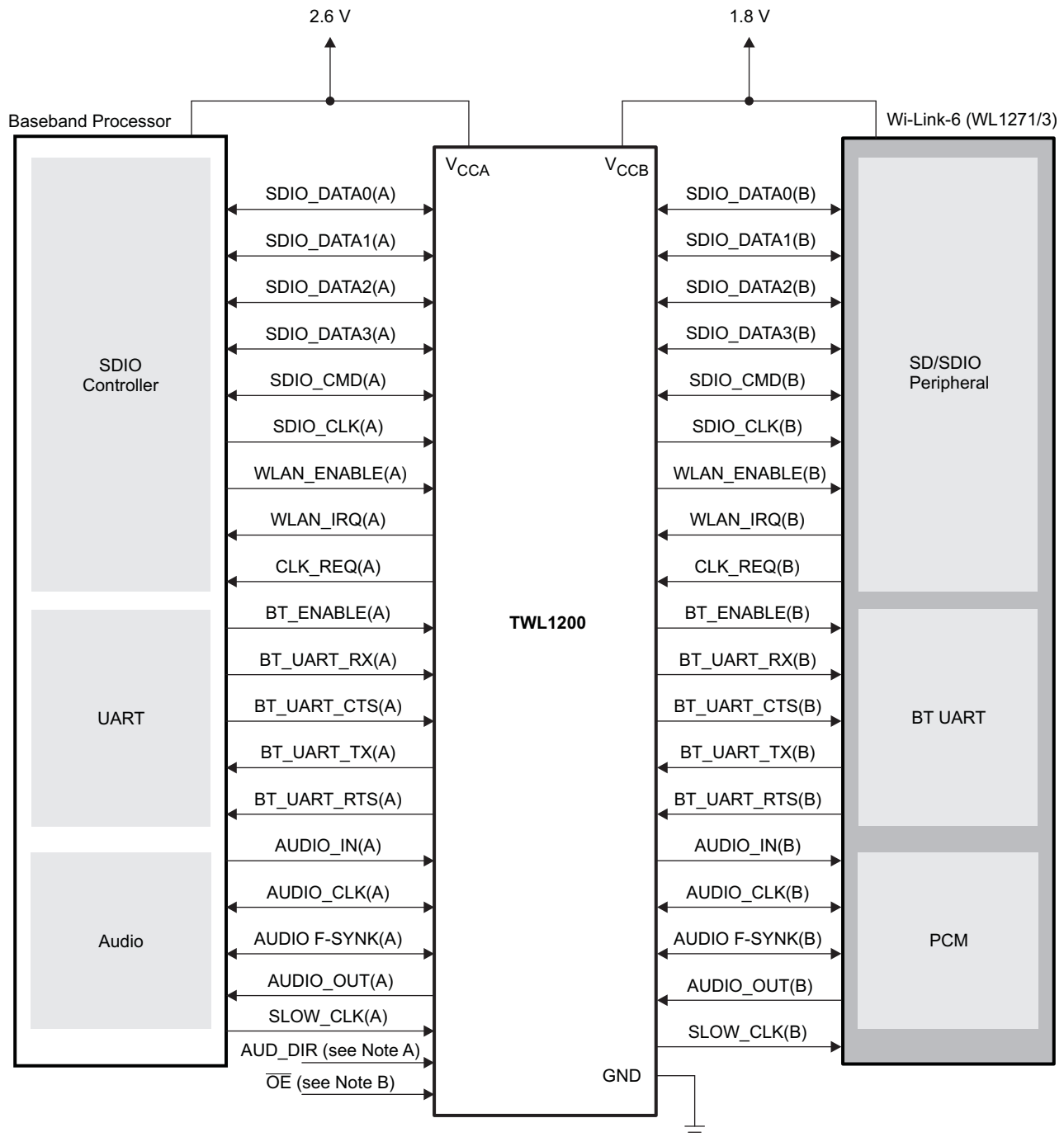
CONTROL INPUTS		OPERATION
\overline{OE}	AUD_DIR	
H	X	All outputs are Hi-Z
L	H	AUDIO_CLK_A to AUDIO_CLK_B and AUDIO_F-SYNC_A_ to AUDIO_F-SYNC_B
L	L	AUDIO_CLK_B to AUDIO_CLK_A and AUDIO_F-SYNC_B to AUDIO_F-SYNC_A

LOGIC DIAGRAM



- A. R_1 and R_2 resistor values are determined based upon the logic level applied to the A port or B port as follows:
 R_1 and $R_2 = 25\text{ k}\Omega$ when a logic-level low is applied to the A port or B port.
 R_1 and $R_2 = 4\text{ k}\Omega$ when a logic-level high is applied to the A port or B port.
 R_1 and $R_2 = 70\text{ k}\Omega$ when the port is deselected (or in Hi-Z state).
- B. \overline{OE} controls all output buffers. When $\overline{OE} = \text{high}$, all outputs are Hi-Z.

TYPICAL APPLICATION BLOCK DIAGRAM



- A. AUD_DIR must be biased to determine audio direction (see Function Table for properly establishing the bias).
- B. \overline{OE} is an active-low pin that must be grounded to 0 V to enable operation of the TWL1200-Q1 device.

ABSOLUTE MAXIMUM RATINGS⁽¹⁾

over operating free-air temperature range (unless otherwise noted)

		MIN	MAX	UNIT	
V _{CCA}	Supply voltage range	-0.5	4.6	V	
V _{CCB}	Supply voltage range	-0.5	4.6	V	
V _I	Input voltage range	I/O ports (A port)	-0.5	4.6	V
		I/O ports (B port)	-0.5	4.6	
		Control inputs	-0.5	4.6	
V _O	Voltage range applied to any output in the high-impedance or power-off state ⁽²⁾	A port	-0.5	4.6	V
		B port	-0.5	4.6	
V _O	Voltage range applied to any output in the high or low state ⁽²⁾	A port	-0.5	4.6	V
		B port	-0.5	4.6	
I _{IK}	Input clamp current	V _I < 0	-50	mA	
I _{OK}	Output clamp current	V _O < 0	-50	mA	
I _O	Continuous output current		±50	mA	
	Continuous current through V _{CCA} , V _{CCB} , or GND		±100	mA	
T _{stg}	Storage temperature range	-65	150	°C	
ESD rating	Human-body model (HBM) AEC-Q100 Classification Level H1C		1.5	kV	
	Charged-device model (CDM) AEC-Q100 Classification Level C3B		750	V	

- (1) Stresses beyond those listed under *Absolute Maximum Ratings* may cause permanent damage to the device. These are stress ratings only, and functional operation of the device at these or any other conditions beyond those indicated under *Recommended Operating Conditions* is not implied. Exposure to absolute-maximum-rated conditions for extended periods may affect device reliability.
- (2) The input and output voltage ratings may be exceeded if the input and output clamp-current ratings are observed.

THERMAL INFORMATION

THERMAL METRIC ⁽¹⁾		TWL1200-Q1	
		PFB	UNIT
		48 PINS	
θ _{JA}	Junction-to-ambient thermal resistance ⁽²⁾	70.1	°C/W
θ _{JCtop}	Junction-to-case (top) thermal resistance ⁽³⁾	20.8	°C/W
θ _{JB}	Junction-to-board thermal resistance ⁽⁴⁾	32.8	°C/W
ψ _{JT}	Junction-to-top characterization parameter ⁽⁵⁾	0.6	°C/W
ψ _{JB}	Junction-to-board characterization parameter ⁽⁶⁾	32.6	°C/W
θ _{JCbot}	Junction-to-case (bottom) thermal resistance ⁽⁷⁾	N/A	°C/W

- (1) For more information about traditional and new thermal metrics, see the *IC Package Thermal Metrics* application report, [SPRA953](#).
- (2) The junction-to-ambient thermal resistance under natural convection is obtained in a simulation on a JEDEC-standard, high-K board, as specified in JESD51-7, in an environment described in JESD51-2a.
- (3) The junction-to-case (top) thermal resistance is obtained by simulating a cold plate test on the package top. No specific JEDEC-standard test exists, but a close description can be found in the ANSI SEMI standard G30-88.
- (4) The junction-to-board thermal resistance is obtained by simulating in an environment with a ring cold plate fixture to control the PCB temperature, as described in JESD51-8.
- (5) The junction-to-top characterization parameter, ψ_{JT}, estimates the junction temperature of a device in a real system and is extracted from the simulation data for obtaining θ_{JA}, using a procedure described in JESD51-2a (sections 6 and 7).
- (6) The junction-to-board characterization parameter, ψ_{JB}, estimates the junction temperature of a device in a real system and is extracted from the simulation data for obtaining θ_{JA}, using a procedure described in JESD51-2a (sections 6 and 7).
- (7) The junction-to-case (bottom) thermal resistance is obtained by simulating a cold plate test on the exposed (power) pad. No specific JEDEC standard test exists, but a close description can be found in the ANSI SEMI standard G30-88.

RECOMMENDED OPERATING CONDITIONS⁽¹⁾

			V_{CCI}	V_{CCO}	MIN	MAX	UNIT
V_{CCA}	Supply voltage				1.1	3.6	V
V_{CCB}	Supply voltage				1.1	3.6	V
V_{IH}	High-level input voltage	Buffer type	1.1 V to 3.6 V	1.1 V to 3.6 V	$V_{CCI} \times 0.65$	3.6	V
		\overline{OE} and AUD_DIR			$V_{CCA} \times 0.65$	3.6	
V_{IH}	High-level input voltage	Switch type	1.1 V to 3.6 V	1.1 V to 3.6 V	$V_{CCI} - 0.2$	V_{CCI}	V
V_{IL}	Low-level input voltage	Buffer type and Control Logic	1.1 V to 3.6 V	1.1 V to 3.6 V	0	$V_{CCI} \times 0.35$	V
		\overline{OE} and AUD_DIR			0	$V_{CCA} \times 0.35$	
$V_{IL}^{(2)}$	Low-level input voltage	Switch type	1.1 V to 3.6 V	1.1 V to 3.6 V	0	0.15	V
V_I	Input voltage				0	3.6	V
V_O	Output voltage	Active state			0	V_{CCO}	V
		High-impedance state			0	3.6	
I_{OH}	High-level output current			1.1 V to 1.3 V		-0.5	mA
				1.4 V to 1.6 V		-1	
				1.65 V to 1.95 V		-2	
				2.3 V to 2.7 V		-4	
				3 V to 3.6 V		-8	
I_{OL}	Low-level output current			1.1 V to 1.3 V		0.5	mA
				1.4 V to 1.6 V		1	
				1.65 V to 1.95 V		2	
				2.3 V to 2.7 V		4	
				3 V to 3.6 V		8	
$\Delta t/\Delta v$	Input transition rise or fall rate					5	ns/V
T_A	Operating free-air temperature				-40	85	°C

(1) All unused data inputs of the device must be held at V_{CCI} or GND to ensure proper device operation. See the TI application report, *Implications of Slow or Floating CMOS Inputs*, literature number SCBA004.

(2) Note, the max V_{IL} value is provided to ensure that a valid V_{OL} is maintained. The V_{OL} value is the V_{IL} + the voltage-drop across the pass-gate transistor.

ELECTRICAL CHARACTERISTICS

over recommended operating free-air temperature range (unless otherwise noted)

PARAMETER		TEST CONDITIONS	V _{CCA}	V _{CCB}	MIN	TYP ⁽¹⁾	MAX	UNIT
V _{OH}	A port (Buffer-type output, 8-mA drive)	I _{OH} = -100 μA	1.1 V to 3.6 V	1.1 V to 3.6 V	V _{CC0} - 0.2			V
		I _{OH} = -8 mA	1.65 V	1.65 V	1.2			
			2.5 V	2.5 V	1.97			
	A port (Buffer-type output, 4-mA drive)	I _{OH} = -100 μA	1.1 V to 3.6 V	1.1 V to 3.6 V	V _{CC0} - 0.2			
		I _{OH} = -4 mA	1.65 V	1.65 V	1.2			
			2.5 V	2.5 V	1.97			
V _{OH}	A port (Switch-type outputs)	I _{OH} = -20 μA	1.65 V	1.65 V	1.5		V	
			2.5 V	2.5 V	2.3			
V _{OL}	A port (Buffer-type output, 8-mA drive)	I _{OL} = 100 μA	1.1 V to 3.6 V	1.1 V to 3.6 V			0.2	V
		I _{OL} = 8 mA	1.65 V	1.65 V		0.45		
			2.5 V	2.5 V		0.55		
	A port (Buffer-type output, 4-mA drive)	I _{OL} = 100 μA	1.1 V to 3.6 V	1.1 V to 3.6 V			0.2	
		I _{OL} = 4 mA	1.65 V	1.65 V		0.45		
			2.5 V	2.5 V		0.55		
V _{OL}	A port (Switch-type outputs)	I _{OL} = 220 μA, V _{IN} = 0.15 V	1.65 V	1.65 V			0.45	V
		I _{OL} = 300 μA, V _{IN} = 0.15 V	2.5 V	2.5 V			0.55	
V _{OH}	B port (Buffer-type output, 8-mA drive)	I _{OH} = -100 μA	1.1 V to 3.6 V	1.1 V to 3.6 V	V _{CC0} - 0.2			V
			I _{OH} = -8 mA	1.65 V	1.65 V	1.2		
				2.5 V	2.5 V	1.97		
	B port (Buffer-type output, 4-mA drive)	I _{OH} = -100 μA	1.1 V to 3.6 V	1.1 V to 3.6 V	V _{CC0} - 0.2			
			I _{OH} = -4 mA	1.65 V	1.65 V	1.2		
				2.5 V	2.5 V	1.97		
	B port (Buffer-type output, 2-mA drive)	I _{OH} = -100 μA	1.1 V to 3.6 V	1.1 V to 3.6 V	V _{CC0} - 0.2			
			I _{OH} = -2 mA	1.65 V	1.65 V	1.2		
				2.5 V	2.5 V	1.97		
	B port (Switch-type outputs)	I _{OH} = -20 μA	1.65 V	1.65 V	1.5			
			2.5 V	2.5 V	2.3			
V _{OL}	B port (Buffer-type output, 8-mA drive)	I _{OL} = 100 μA	1.1 V to 3.6 V	1.1 V to 3.6 V			0.2	V
			I _{OL} = 8 mA	1.65 V	1.65 V		0.45	
				2.5 V	2.5 V		0.55	
	B port (Buffer-type output, 4-mA drive)	I _{OL} = 100 μA	1.1 V to 3.6 V	1.1 V to 3.6 V			0.2	
			I _{OL} = 4 mA	1.65 V	1.65 V		0.45	
				2.5 V	2.5 V		0.55	
	B port (Buffer-type output, 2-mA drive)	I _{OL} = 100 μA	1.1 V to 3.6 V	1.1 V to 3.6 V			0.2	
			I _{OL} = 2 mA	1.65 V	1.65 V		0.45	
				2.5 V	2.5 V		0.55	
	B port (Switch-type outputs)	I _{OL} = 220 μA, V _{IN} = 0.15 V	1.65 V	1.65 V			0.45	
			I _{OL} = 300 μA, V _{IN} = 0.15 V	2.5 V	2.5 V			
	I _I		V _I = V _{CCA} or GND	1.1 V to 3.6 V	1.1 V to 3.6 V			
I _{CCA}		Switch-type I/O are open and all other inputs are biased at either V _{CC} or GND	1.1 V to 3.6 V	1.1 V to 3.6 V			15	μA
			3.6 V	0 V			14	
			0 V	3.6 V			-12	

(1) All typical values are at T_A = 25°C.

ELECTRICAL CHARACTERISTICS (continued)

over recommended operating free-air temperature range (unless otherwise noted)

PARAMETER		TEST CONDITIONS	V _{CCA}	V _{CCB}	MIN	TYP ⁽¹⁾	MAX	UNIT
I _{CCB}		Switch-type I/O are open and all other inputs are biased at either V _{CC} or GND	1.1 V to 3.6 V	1.1 V to 3.6 V			15	μA
			3.6 V	0 V			-12	
			0 V	3.6 V			14	
I _{CCA} + I _{CCB}		V _I = V _{CC1} or GND, I _O = 0	1.1 V to 3.6 V	1.1 V to 3.6 V			30	μA
C _{io} ⁽²⁾	Auto-Dir (SDIO lines)	V _I = V _{CC1}					5.5	pF
	Bi-Dir buffer	V _I = V _{CCX} or GND					4.5	
C _i ⁽²⁾	AUD_DIR / \overline{OE}	V _I = V _{CCA} or GND					4	pF
	Buffer	V _I = V _{CCX} or GND					4	
C _o ⁽²⁾	2-mA buffer	V _I = V _{CCX} or GND					5	pF
	4-mA buffer	V _I = V _{CCX} or GND					5	
	8-mA buffer	V _I = V _{CCX} or GND					6	

(2) Not production tested

OUTPUT DRIVE STRENGTH

2 mA	4 mA	8 mA
WLAN_EN_B	AUDIO_OUT_A	SDIO_CLK_B
SLOW_CLK_B	WLAN_IRQ_A	BT_UART_TX_A
BT_EN_B	CLK_REQ_A	BT_UART_RX_B
	AUDIO_IN_B	
	AUDIO_CLK_A	
	BT_UART_CTS_B	
	BT_UART_RTS_A	
	AUDIO_F-SYNC_A	

TIMING REQUIREMENTS⁽¹⁾

$V_{CCA} = 2.5\text{ V} \pm 0.2\text{ V}$

over recommended operating free-air temperature range (unless otherwise noted)

			$V_{CCB} = 1.8\text{ V} \pm 0.15\text{ V}$		UNIT
			MIN	MAX	
Data rate	SDIO_CMD	Push-pull driving	60		Mbps
		Open-drain driving	1		
	SDIO_CLK	Push-pull driving	50		MHz
	SDIO_DATAx		60		Mbps
t_w Pulse duration	SDIO_CMD	Push-pull driving	17		ns
		Open-drain driving	1		μs
	SDIO_CLK	Push-pull driving	10		ns
	SDIO_DATAx		17		ns

(1) Not production tested

TIMING REQUIREMENTS⁽¹⁾

$V_{CCA} = 3.3\text{ V} \pm 0.3\text{ V}$

over recommended operating free-air temperature range (unless otherwise noted)

			$V_{CCB} = 1.8\text{ V} \pm 0.15\text{ V}$		UNIT
			MIN	MAX	
Data rate	SDIO_CMD	Push-pull driving	60		Mbps
		Open-drain driving	1		
	SDIO_CLK	Push-pull driving	50		MHz
	SDIO_DATAx		60		Mbps
t_w Pulse duration	SDIO_CMD	Push-pull driving	17		ns
		Open-drain driving	1		μs
	SDIO_CLK	Push-pull driving	10		ns
	SDIO_DATAx		17		ns

(1) Not production tested

SWITCHING CHARACTERISTICS⁽¹⁾

$V_{CCA} = 2.5 \text{ V} \pm 0.2 \text{ V}$

over recommended operating free-air temperature range (unless otherwise noted)

PARAMETER	FROM (INPUT)	TO (OUTPUT)	TEST CONDITIONS	$V_{CCB} = 1.8 \text{ V} \pm 0.15 \text{ V}$		UNIT
				MIN	MAX	
t_{pd}	SDIO_CMD_A	SDIO_CMD_B	Push-pull driving		7	ns
			Open-drain driving (H-to-L)	1.1	7	
			Open-drain driving (L-to-H)	30	510	
	SDIO_CMD_B	SDIO_CMD_A	Push-pull driving		7	
			Open-drain driving (H-to-L)	1	7.5	
			Open-drain driving (L-to-H)	30	515	
	SDIO_CLK_A	SDIO_CLK_B	Push-pull driving	1	6.5	
	SDIO_DATAx_A	SDIO_DATAx_B	Push-pull driving	1	7	
	SDIO_DATAx_B	SDIO_DATAx_A		1	7	
		Buffered input	2-mA drive strength output	Push-pull driving	1	
	Buffered input	4-mA drive strength output	Push-pull driving	1	7	
	Buffered input	8-mA drive strength output	Push-pull driving	1	6.5	
t_{en}	OE	2-mA drive strength output	Push-pull driving		16	ns
		4-mA drive strength output	Push-pull driving		19	
		8-mA drive strength output	Push-pull driving		18	
		Switch-type output	Push-pull driving		1	μs
t_{dis}	OE	2-mA drive strength output	Push-pull driving		17	ns
		4-mA drive strength output	Push-pull driving		16.5	
		8-mA drive strength output	Push-pull driving		16	
		Switch-type outputs	Push-pull driving		1	μs
t_{rA}	SDIO_CMD_A rise time		Push-pull driving	1	5	ns
			Open-drain driving	15	420	
		SDIO_DATAx_A rise time		Push-pull driving	1	4.7
t_{rB}	SDIO_CMD_B rise time		Push-pull driving	1	9.7	ns
			Open-drain driving	15	420	
	SDIO_CLK_B rise time		Push-pull driving	0.5	6	
		SDIO_DATAx_B rise time		1	9.7	
t_{fA}	SDIO_CMD_A fall time		Push-pull driving	0.7	8.3	ns
			Open-drain driving	1.6	8.3	
		SDIO_DATAx_A fall time		1	8.3	
t_{fB}	SDIO_CMD_B fall time		Push-pull driving	1	9.9	ns
			Open-drain driving	1.6	10.9	
	SDIO_CLK_B fall time		Push-pull driving	0.5	5.3	
		SDIO_DATAx_B fall time		1	9.9	
$t_{sk(O)}$	SDIO Ch-A to Ch-B skew		Push-pull driving		0.4	ns
	SDIO Ch-B to Ch-A skew		Push-pull driving		0.4	
	SDIO channel-to-clock skew		Push-pull driving		1.3	
Max data rate	SDIO_CMD		Push-pull driving		60	Mbps
			Open-drain driving		1	
	SDIO_CLK		Push-pull driving		50	MHz
SDIO_DATAx		Push-pull driving		60	Mbps	

(1) Not production tested

SWITCHING CHARACTERISTICS⁽¹⁾

V_{CCA} = 3.3 V ± 0.3 V

over recommended operating free-air temperature range (unless otherwise noted)

PARAMETER	FROM (INPUT)	TO (OUTPUT)	TEST CONDITIONS	V _{CCB} = 1.8 V ± 0.15 V		UNIT
				MIN	MAX	
t _{pd}	SDIO_CMD_A	SDIO_CMD_B	Push-pull driving		7	ns
			Open-drain driving (H-to-L)	1.1	7	
			Open-drain driving (L-to-H)	30	510	
	SDIO_CMD_B	SDIO_CMD_A	Push-pull driving		7	
			Open-drain driving (H-to-L)	1	7.5	
			Open-drain driving (L-to-H)	30	515	
	SDIO_CLK_A	SDIO_CLK_B	Push-pull driving	1	6.5	
	SDIO_DATAx_A	SDIO_DATAx_B	Push-pull driving	1	7	
	SDIO_DATAx_B	SDIO_DATAx_A		1	7	
		Buffered input	2-mA drive strength output	Push-pull driving	1	
	Buffered input	4-mA drive strength output	Push-pull driving	1	7	
	Buffered -nput	8-mA drive strength output	Push-pull driving	1	6.5	
t _{en}	OE	2-mA drive strength output	Push-pull driving		16	ns
		4-mA drive strength output	Push-pull driving		19	
		8-mA drive strength output	Push-pull driving		19	
		Switch-type output	Push-pull driving		1	µs
t _{dis}	OE	2-mA drive strength output	Push-pull driving		17	ns
		4-mA drive strength output	Push-pull driving		16	
		8-mA drive strength output	Push-pull driving		16	
		Switch-type output	Push-pull driving		1	µs
t _{rA}	SDIO_CMD_A rise time		Push-pull driving	1	4.25	ns
			Open-drain driving	15	420	
		SDIO_DATAx_A rise time		Push-pull driving	1	4.25
t _{rB}	SDIO_CMD_B rise time		Push-pull driving	1	9.5	ns
			Open-drain driving	15	420	
	SDIO_CLK_B rise time		Push-pull driving	0.5	5.9	
		SDIO_DATAx_B rise time		Push-pull driving	1	9.6
t _{fA}	SDIO_CMD_A fall time		Push-pull driving	0.7	8.2	ns
			Open-drain driving	1.6	8.2	
		SDIO_DATAx_A fall time		Push-pull driving	1	8.2
t _{fB}	SDIO_CMD_B fall time		Push-pull driving	1	9.2	ns
			Open-drain driving	1.6	10.8	
	SDIO_CLK_B fall time		Push-pull driving	0.5	5.2	
		SDIO_DATAx_B fall time		Push-pull driving	1	9.8
t _{sk(O)}	SDIO Ch-A to Ch-B skew		Push-pull driving		0.4	ns
	SDIO Ch-B to Ch-A skew		Push-pull driving		0.4	
	SDIO Channel-to-Clock skew		Push-pull driving		1.3	
Max data rate	SDIO_CMD		Push-pull driving		60	Mbps
			Open-drain driving		1	
	SDIO_CLK				50	MHz
	SDIO_DATAx		Push-pull driving		60	Mbps

(1) Not production tested

OPERATING CHARACTERISTICS⁽¹⁾
 $T_A = 25^\circ\text{C}$

PARAMETER			TEST CONDITIONS	$V_{CCA} = V_{CCB} = 1.8\text{ V}$	$V_{CCA} = V_{CCB} = 2.5\text{ V}$	UNIT
DATAx and CMD	Enabled	C_{pd} input side	$C_L = 0,$ $f = 10\text{ MHz},$ $t_r = t_f = 1\text{ ns}$	18.3	20.3	pF
		C_{pd} output side		18.25	19.52	
	Disabled	C_{pd} input side		0.8	0.8	
		C_{pd} output side		0.1	0.1	
Clock	Enabled	C_{pd} input side	$C_L = 0,$ $f = 10\text{ MHz},$ $t_r = t_f = 1\text{ ns}$	0.6	0.9	pF
		C_{pd} output side		8.8	10.1	
	Disabled	C_{pd} input side		0.1	0.1	
		C_{pd} output side		0.1	0.1	
2-mA buffer	Enabled	C_{pd} input side	$C_L = 0,$ $f = 10\text{ MHz},$ $t_r = t_f = 1\text{ ns}$	0.6	1	pF
		C_{pd} output side		7.1	7.9	
	Disabled	C_{pd} input side		0.1	0.1	
		C_{pd} output side		0.1	0.1	
4-mA buffer	Enabled	C_{pd} input side	$C_L = 0,$ $f = 10\text{ MHz},$ $t_r = t_f = 1\text{ ns}$	0.6	1.0	pF
		C_{pd} output side		7.6	8.6	
	Disabled	C_{pd} input side		0.1	0.1	
		C_{pd} output side		0.1	0.1	
8-mA buffer	Enabled	C_{pd} input side	$C_L = 0,$ $f = 10\text{ MHz},$ $t_r = t_f = 1\text{ ns}$	0.6	1	pF
		C_{pd} output side		8.8	10.1	
	Disabled	C_{pd} input side		0.1	0.1	
		C_{pd} output side		0.1	0.1	
4-mA I/O	Enabled	C_{pd} input side	$C_L = 0,$ $f = 10\text{ MHz},$ $t_r = t_f = 1\text{ ns}$	0.6	0.95	pF
		C_{pd} output side		8.2	9.1	
	Disabled	C_{pd} input side		0.1	0.1	
		C_{pd} output side		0.1	0.1	

(1) Not production tested

TYPICAL CHARACTERISTICS

**LOW-LEVEL OUTPUT VOLTAGE
vs
LOW-LEVEL OUTPUT CURRENT**

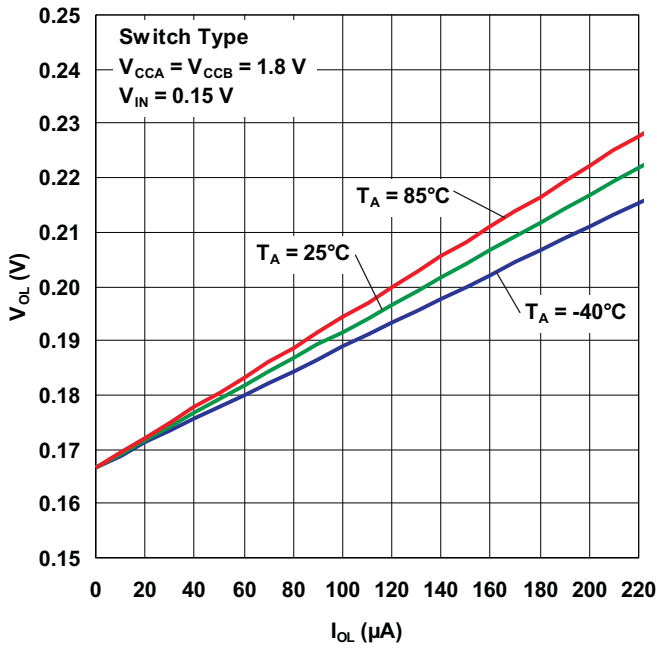


Figure 1.

**LOW-LEVEL OUTPUT VOLTAGE
vs
LOW-LEVEL OUTPUT CURRENT**

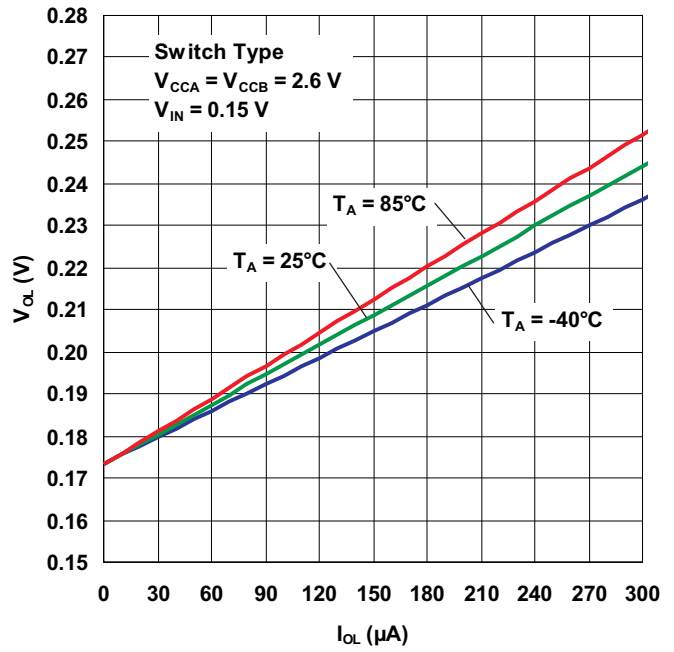


Figure 2.

**LOW-LEVEL OUTPUT VOLTAGE
vs
LOW-LEVEL OUTPUT CURRENT**

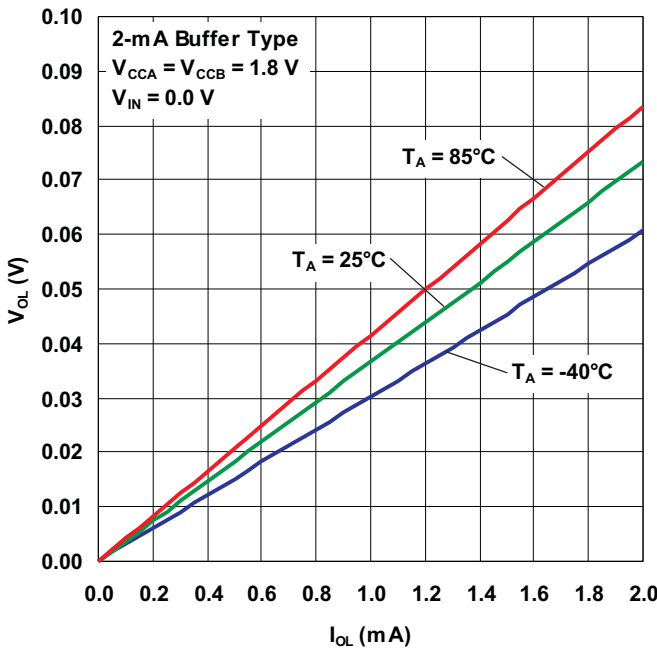


Figure 3.

**LOW-LEVEL OUTPUT VOLTAGE
vs
LOW-LEVEL OUTPUT CURRENT**

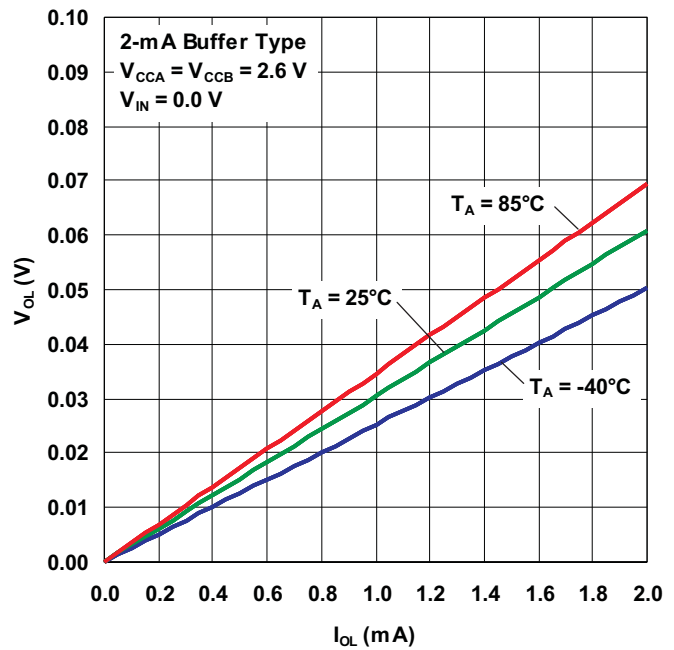


Figure 4.

TYPICAL CHARACTERISTICS (continued)

LOW-LEVEL OUTPUT VOLTAGE
vs
LOW-LEVEL OUTPUT CURRENT

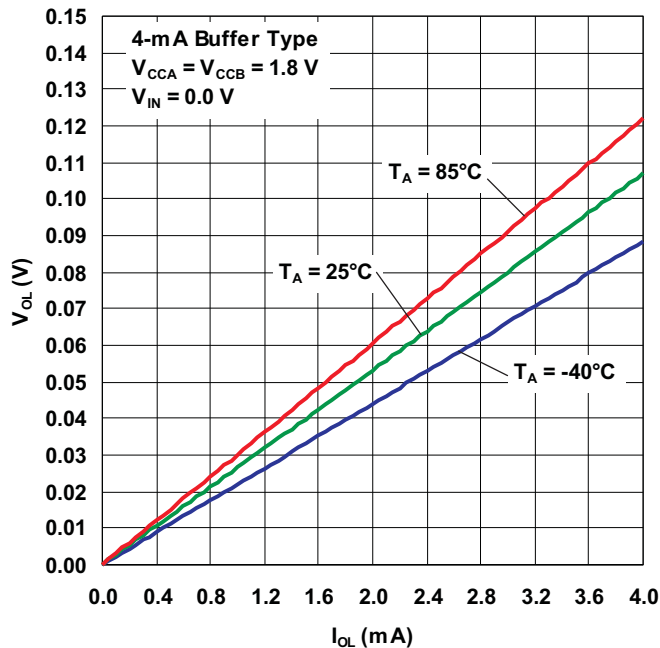


Figure 5.

LOW-LEVEL OUTPUT VOLTAGE
vs
LOW-LEVEL OUTPUT CURRENT

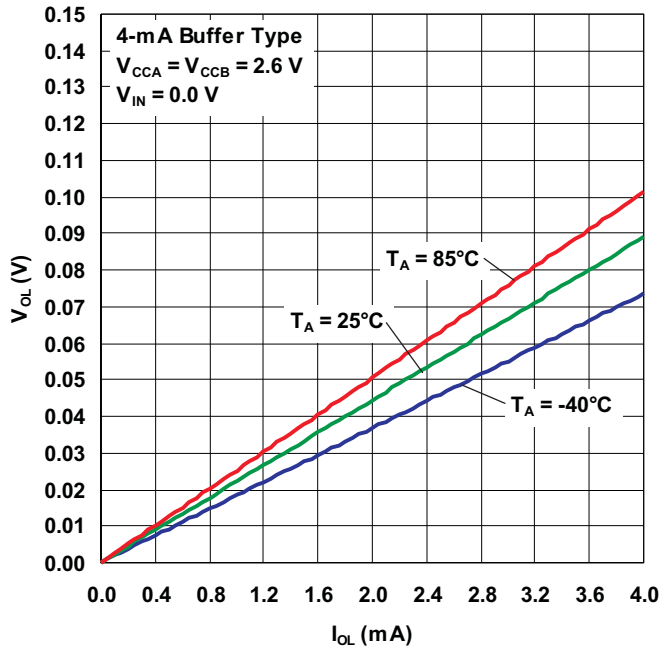


Figure 6.

LOW-LEVEL OUTPUT VOLTAGE
vs
LOW-LEVEL OUTPUT CURRENT

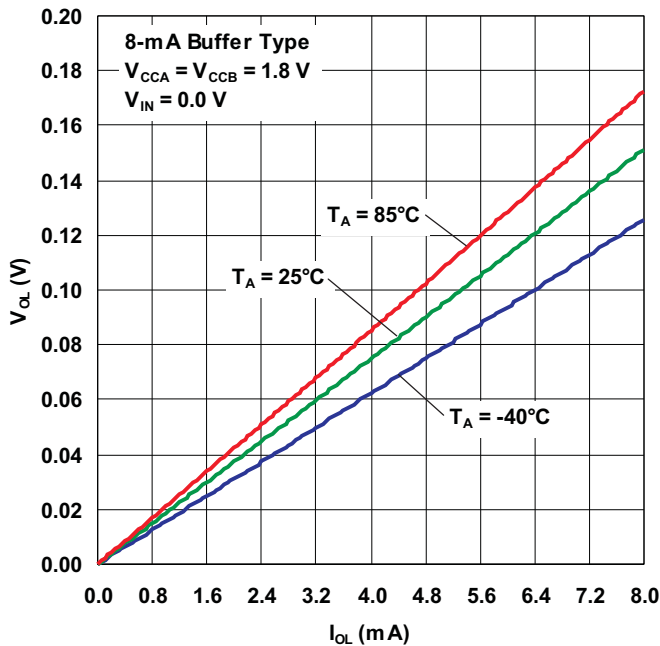


Figure 7.

LOW-LEVEL OUTPUT VOLTAGE
vs
LOW-LEVEL OUTPUT CURRENT

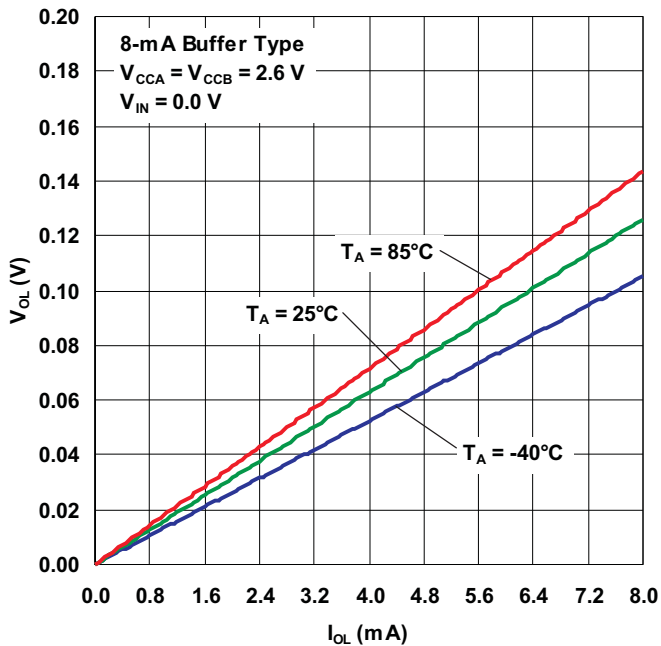


Figure 8.

TYPICAL CHARACTERISTICS (continued)

**HIGH-LEVEL OUTPUT VOLTAGE
vs
HIGH-LEVEL OUTPUT CURRENT**

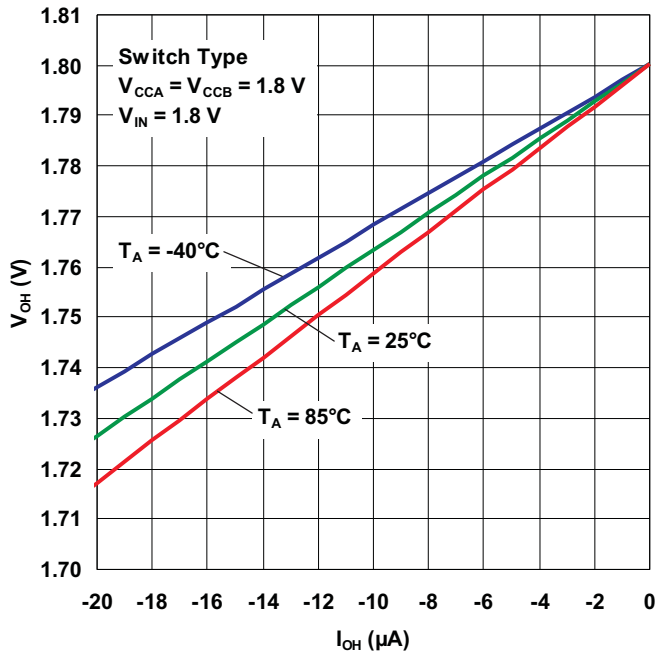


Figure 9.

**HIGH-LEVEL OUTPUT VOLTAGE
vs
HIGH-LEVEL OUTPUT CURRENT**

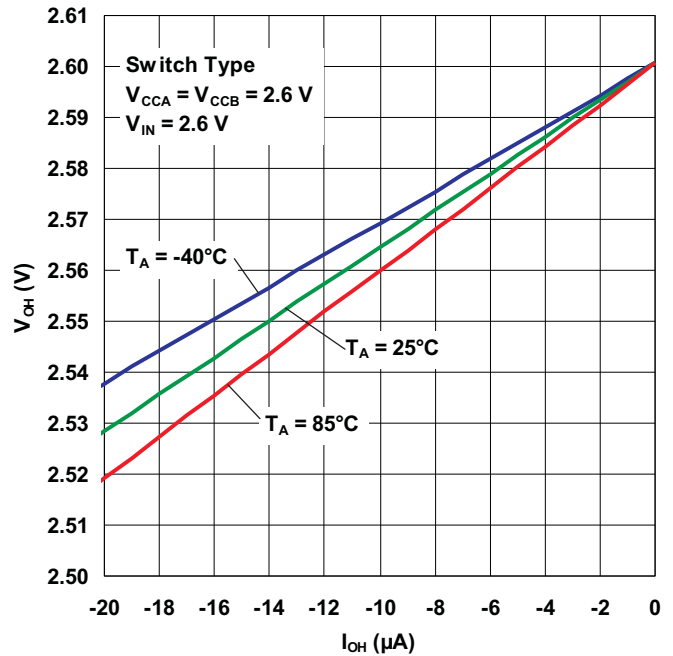


Figure 10.

**HIGH-LEVEL OUTPUT VOLTAGE
vs
HIGH-LEVEL OUTPUT CURRENT**

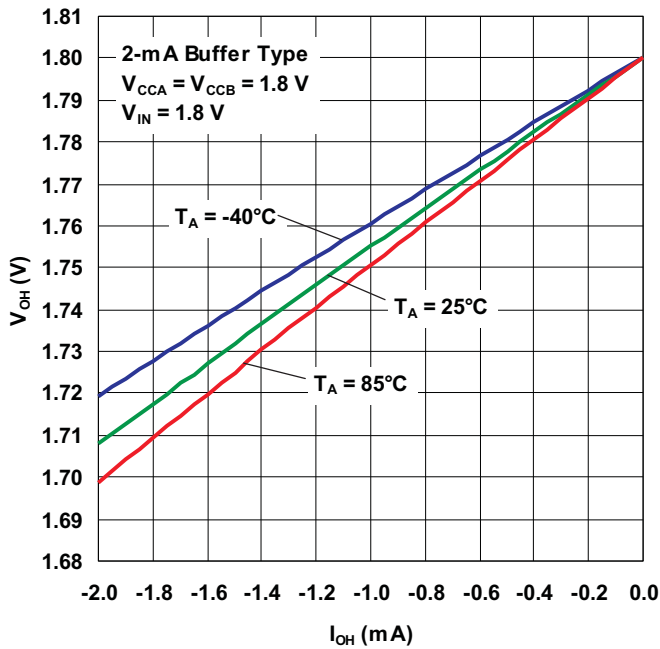


Figure 11.

**HIGH-LEVEL OUTPUT VOLTAGE
vs
HIGH-LEVEL OUTPUT CURRENT**

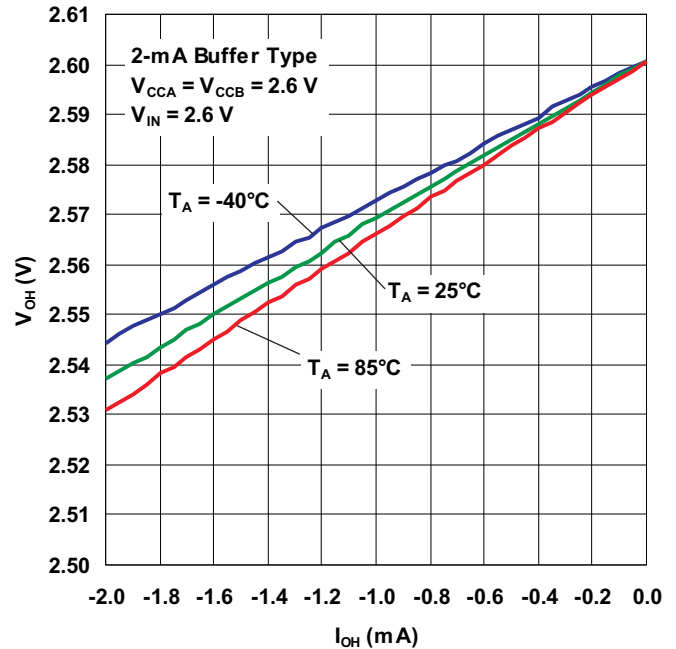


Figure 12.

TYPICAL CHARACTERISTICS (continued)

HIGH-LEVEL OUTPUT VOLTAGE
vs
HIGH-LEVEL OUTPUT CURRENT

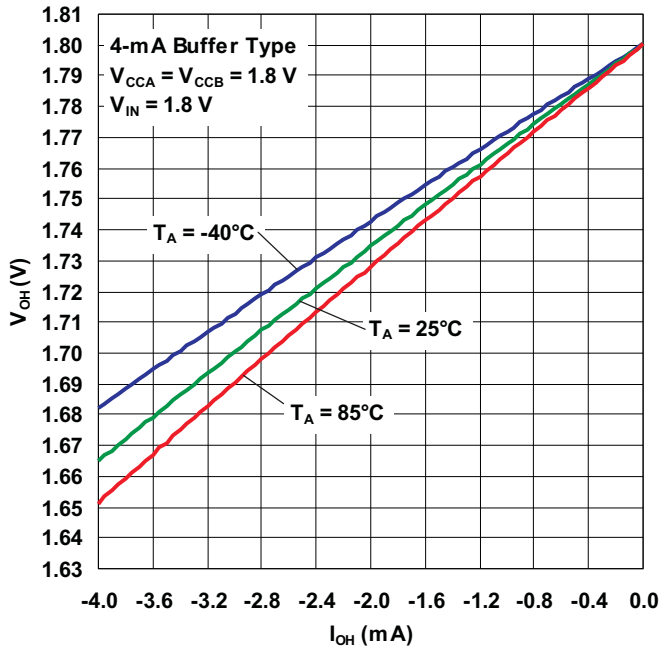


Figure 13.

HIGH-LEVEL OUTPUT VOLTAGE
vs
HIGH-LEVEL OUTPUT CURRENT

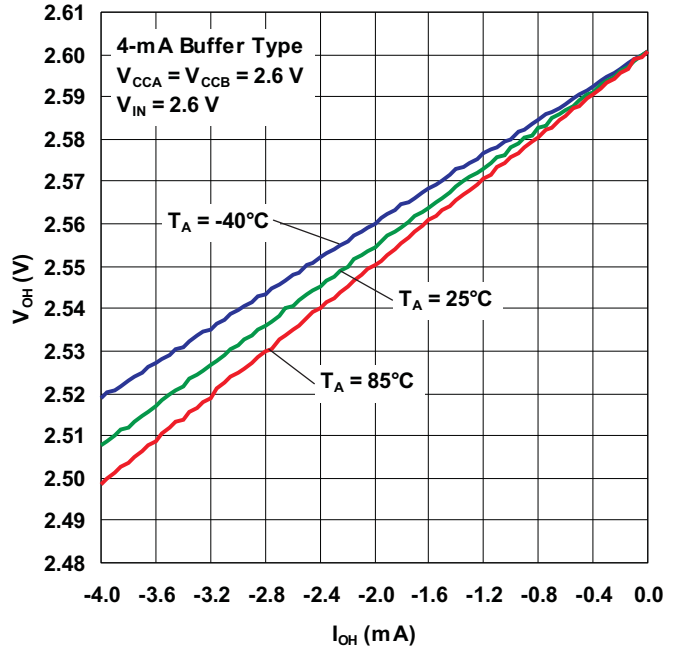


Figure 14.

HIGH-LEVEL OUTPUT VOLTAGE
vs
HIGH-LEVEL OUTPUT CURRENT

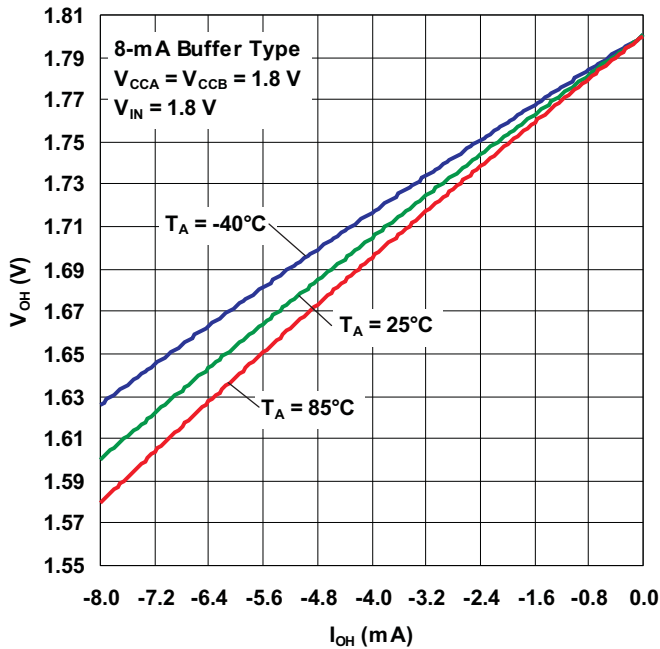


Figure 15.

HIGH-LEVEL OUTPUT VOLTAGE
vs
HIGH-LEVEL OUTPUT CURRENT

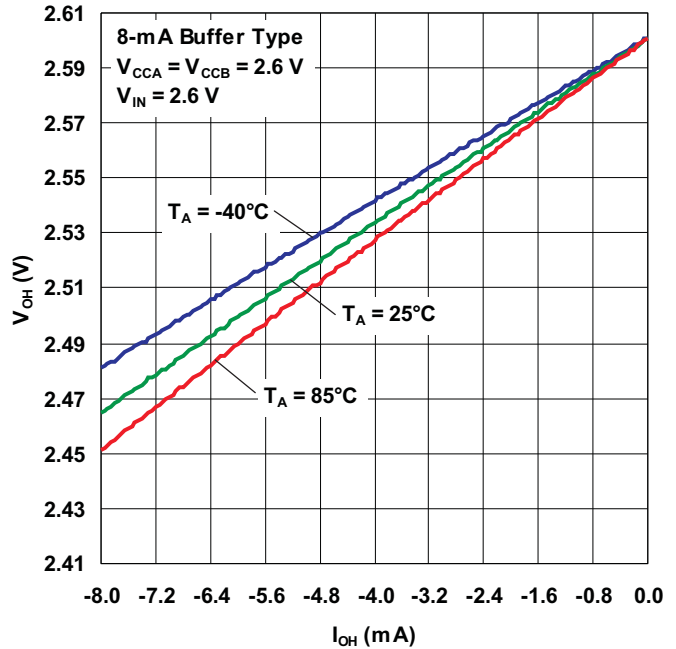


Figure 16.

TYPICAL CHARACTERISTICS (continued)

**PROPAGATION DELAY TIME (HIGH TO LOW)
vs
LOAD CAPACITANCE**

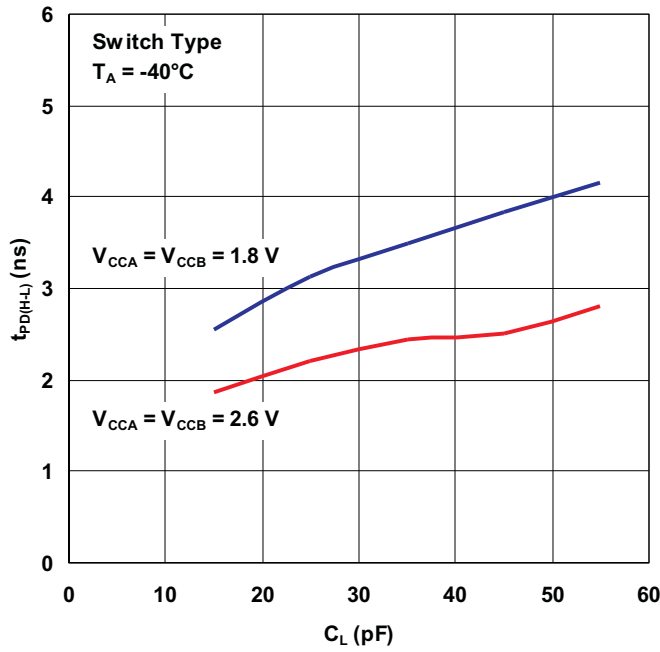


Figure 17.

**PROPAGATION DELAY TIME (LOW TO HIGH)
vs
LOAD CAPACITANCE**

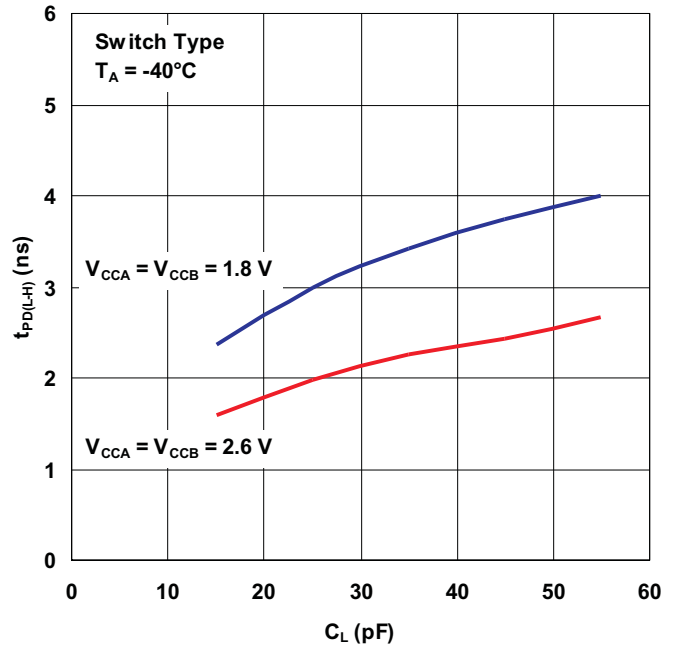


Figure 18.

**PROPAGATION DELAY TIME (HIGH TO LOW)
vs
LOAD CAPACITANCE**

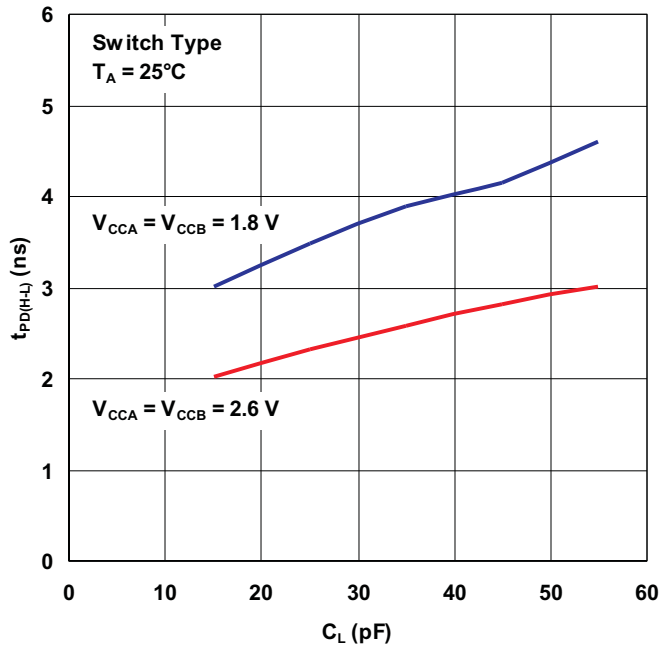


Figure 19.

**PROPAGATION DELAY TIME (LOW TO HIGH)
vs
LOAD CAPACITANCE**

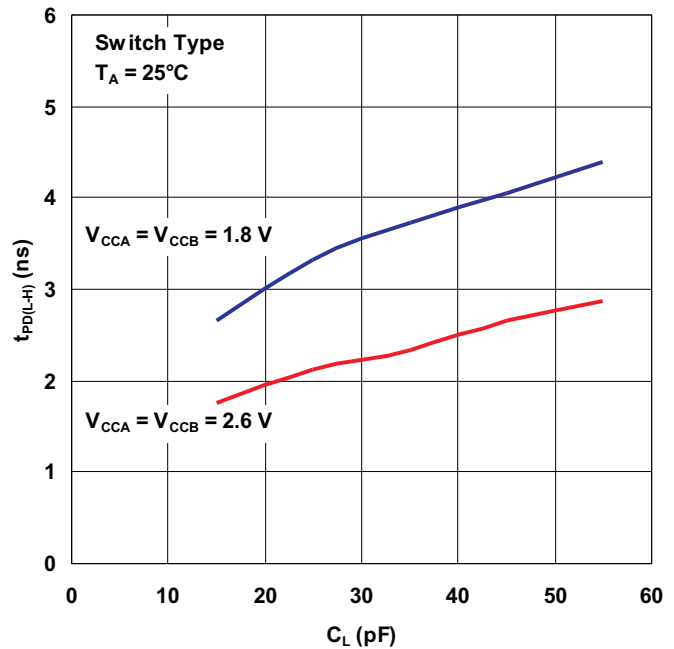


Figure 20.

TYPICAL CHARACTERISTICS (continued)

PROPAGATION DELAY TIME (HIGH TO LOW)
vs
LOAD CAPACITANCE

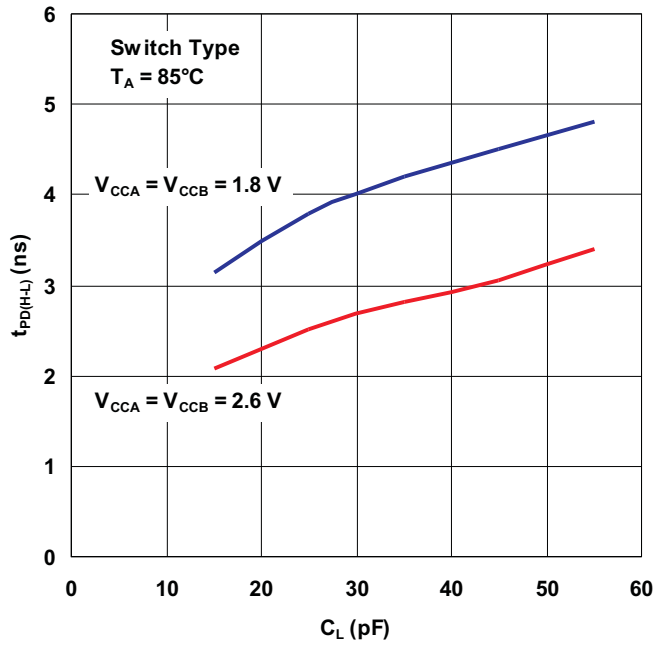


Figure 21.

PROPAGATION DELAY TIME (LOW TO HIGH)
vs
LOAD CAPACITANCE

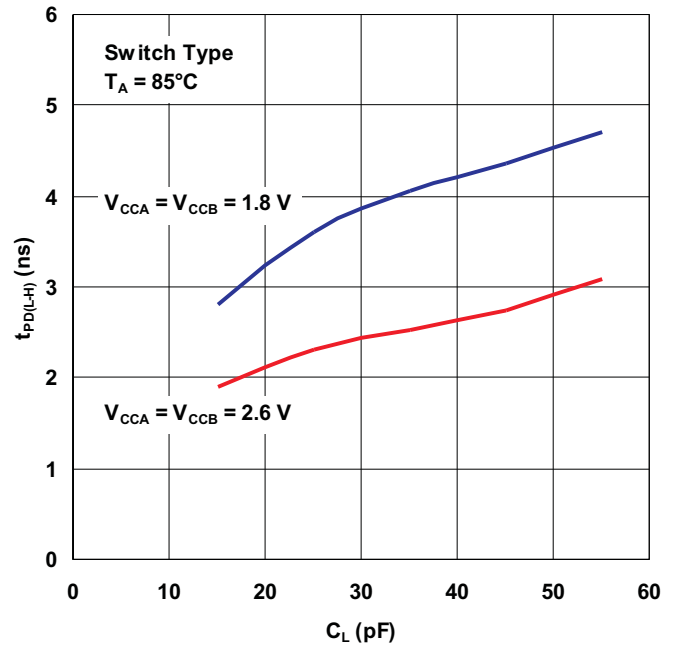


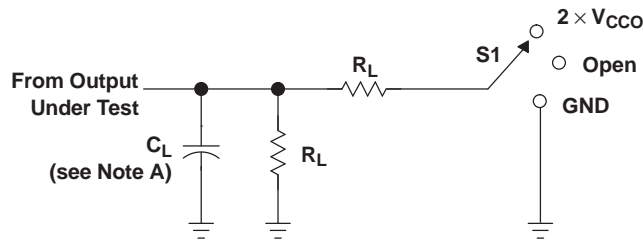
Figure 22.

Typical Application Wiring for TWL1200-Q1 When Connecting to the WL1271

Table 2. WL1271+TWL1200-Q1 Interface

HOST (MSM)	PIN NAME	BALL NO.	TYPE		TYPE	BALL NO.	PIN NAME	WL1271 COB
	VCCA	C4	Power (3 V)	TWL1200-Q1	Power (1.8 V)	C5	VCCB	
	VCCA	D4	Power (3 V)		Power (1.8 V)	D5	VCCB	
	SDIO_DATA0_A	B2	I/O ↔		I/O ↔	B6	SDIO_DATA0_B	K4
	SDIO_DATA1_A	C2	I/O ↔		I/O ↔	C6	SDIO_DATA1_B	J4
	SDIO_DATA2_A	C1	I/O ↔		I/O ↔	C7	SDIO_DATA2_B	J3
	SDIO_DATA3_A	B1	I/O ↔		I/O ↔	B7	SDIO_DATA3_B	J5
	SDIO_CMD_A	A2	I/O ↔		I/O ↔	A6	SDIO_CMD_B	L3
	SDIO_CLK_A	A1	I →		O →	A7	SDIO_CLK_B	M3
	WLAN_EN_A	D1	I →		O →	D6	WLAN_EN_B	J2
	WLAN_IRQ_A	D2	O ←		I ←	D7	WLAN_IRQ_B	G4
	CLK_REQ_A	E1	O ←		I ←	E7	CLK_REQ_B	F5
	BT_EN_A	E2	I →		O →	E6	BT_EN_B	G5
	BT_UART_RX_A	G1	I →		O →	G7	BT_UART_RX_B	G7
	BT_UART_CTS_A	F1	I →		O →	F7	BT_UART_CTS_B	E11
	BT_UART_TX_A	G2	O ←		I ←	G6	BT_UART_TX_B	G8
	BT_UART_RTS_A	F2	O ←		I ←	F6	BT_UART_RTS_B	G11
	AUDIO_IN_A	F3	I →		I/O ↔	F5	AUDIO_IN_B	F6
	AUDIO_CLK_A	A3	I/O ↔		I/O ↔	A5	AUDIO_CLK_B	F8
	AUDIO_F-SYN_A	B3	I/O ↔		I/O ↔	B5	AUDIO_F-SYN_B	H11
	AUDIO_OUT_A	G3	O ←		I ←	G5	AUDIO_OUT_B	F7
	SLOW_CLK_A	G4	I →		O →	F4	SLOW_CLK_B	K9
	AUD_DIR	A4	I →		GND	D3	GND	
	\overline{OE}	B4	Active low			E3	GND	
						E4	GND	
						E5	GND	

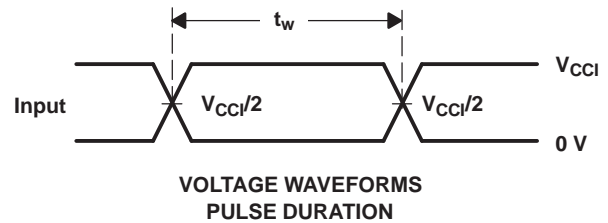
PARAMETER MEASUREMENT INFORMATION



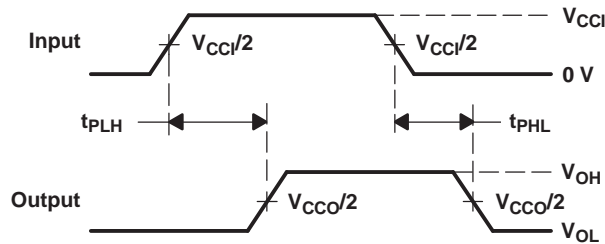
LOAD CIRCUIT FOR BUFFER-TYPE OUTPUTS

V_{CCO}	C_L	R_L	V_{TP}
$1.8\text{ V} \pm 0.15\text{ V}$	15 pF	2 k Ω	0.15 V
$2.5\text{ V} \pm 0.2\text{ V}$	15 pF	2 k Ω	0.15 V
$3.3\text{ V} \pm 0.3\text{ V}$	15 pF	2 k Ω	0.3 V

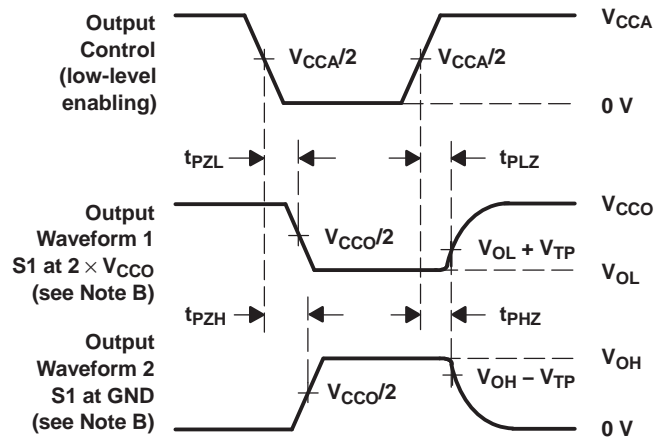
TEST	S1
t_{pd}	Open
t_{PLZ}/t_{PZL}	$2 \times V_{CCO}$
t_{PHZ}/t_{PZH}	GND



VOLTAGE WAVEFORMS PULSE DURATION



VOLTAGE WAVEFORMS PROPAGATION DELAY TIMES

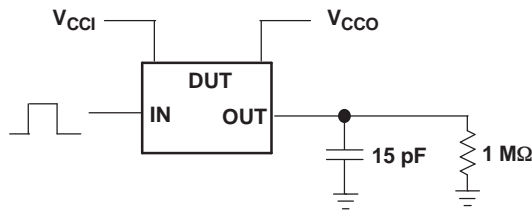


VOLTAGE WAVEFORMS ENABLE AND DISABLE TIMES

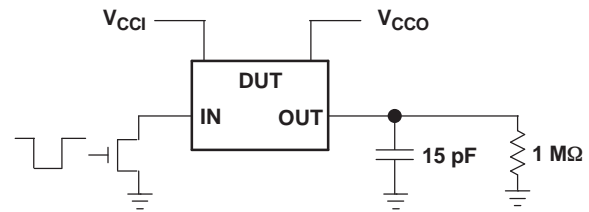
- NOTES:
- A. C_L includes probe and jig capacitance.
 - B. Waveform 1 is for an output with internal conditions such that the output is low, except when disabled by the output control. Waveform 2 is for an output with internal conditions such that the output is high, except when disabled by the output control.
 - C. All input pulses are supplied by generators having the following characteristics: $PRR \leq 10\text{ MHz}$, $Z_O = 50\ \Omega$, $dv/dt \geq 1\text{ V/ns}$.
 - D. The outputs are measured one at a time, with one transition per measurement.
 - E. t_{PLZ} and t_{PHZ} are the same as t_{dis} .
 - F. t_{PZL} and t_{PZH} are the same as t_{en} .
 - G. t_{PLH} and t_{PHL} are the same as t_{pd} .
 - H. V_{CCi} is the V_{CC} associated with the input port.
 - I. V_{CCO} is the V_{CC} associated with the output port.

Figure 23. Push-Pull Buffered Direction-Control Load Circuit and Voltage Waveform

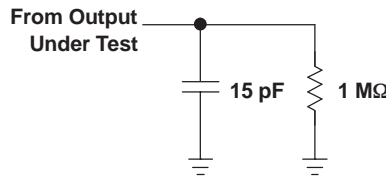
PARAMETER MEASUREMENT INFORMATION (continued)



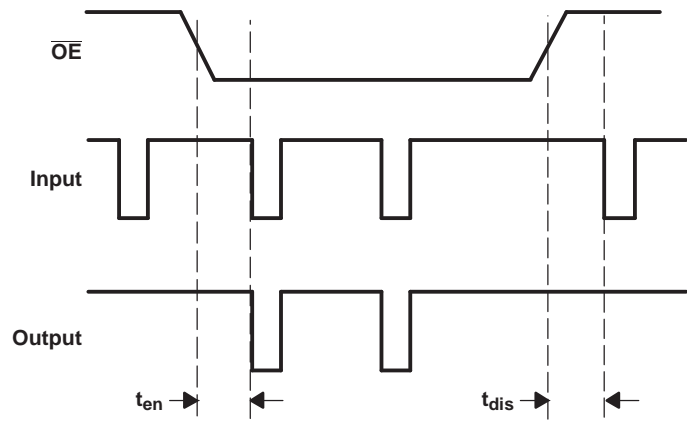
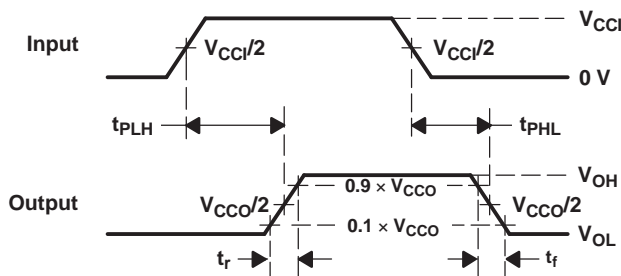
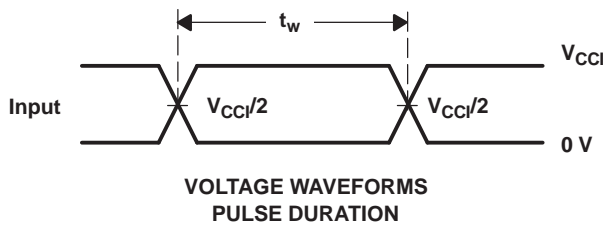
DATA RATE, PULSE DURATION, PROPAGATION DELAY, OUTPUT RISE AND FALL TIME MEASUREMENT USING A PUSH-PULL DRIVER



DATA RATE, PULSE DURATION, PROPAGATION DELAY, OUTPUT RISE AND FALL TIME MEASUREMENT USING AN OPEN-DRAIN DRIVER



LOAD CIRCUIT FOR ENABLE/DISABLE TIME MEASUREMENT – SWITCH-TYPE SDIOs



- A. C_L includes probe and jig capacitance.
- B. Waveform 1 is for an output with internal conditions such that the output is low, except when disabled by the output control. Waveform 2 is for an output with internal conditions such that the output is high, except when disabled by the output control.
- C. All input pulses are supplied by generators having the following characteristics: $PRR \leq 10$ MHz, $Z_O = 50 \Omega$, $dv/dt \geq 1$ V/ns.
- D. The outputs are measured one at a time, with one transition per measurement.
- E. t_{PLZ} and t_{PHZ} are the same as t_{dis} .
- F. t_{PZL} and t_{PZH} are the same as t_{en} .
- G. t_{PLH} and t_{PHL} are the same as t_{pd} .
- H. V_{CCI} is the V_{CC} associated with the input port.
- I. V_{CCO} is the V_{CC} associated with the output port.
- J. All parameters and waveforms are not applicable to all devices.

Figure 24. Auto-Direction-Control Load Circuit and Voltage Waveform

APPLICATION CIRCUIT EXAMPLES

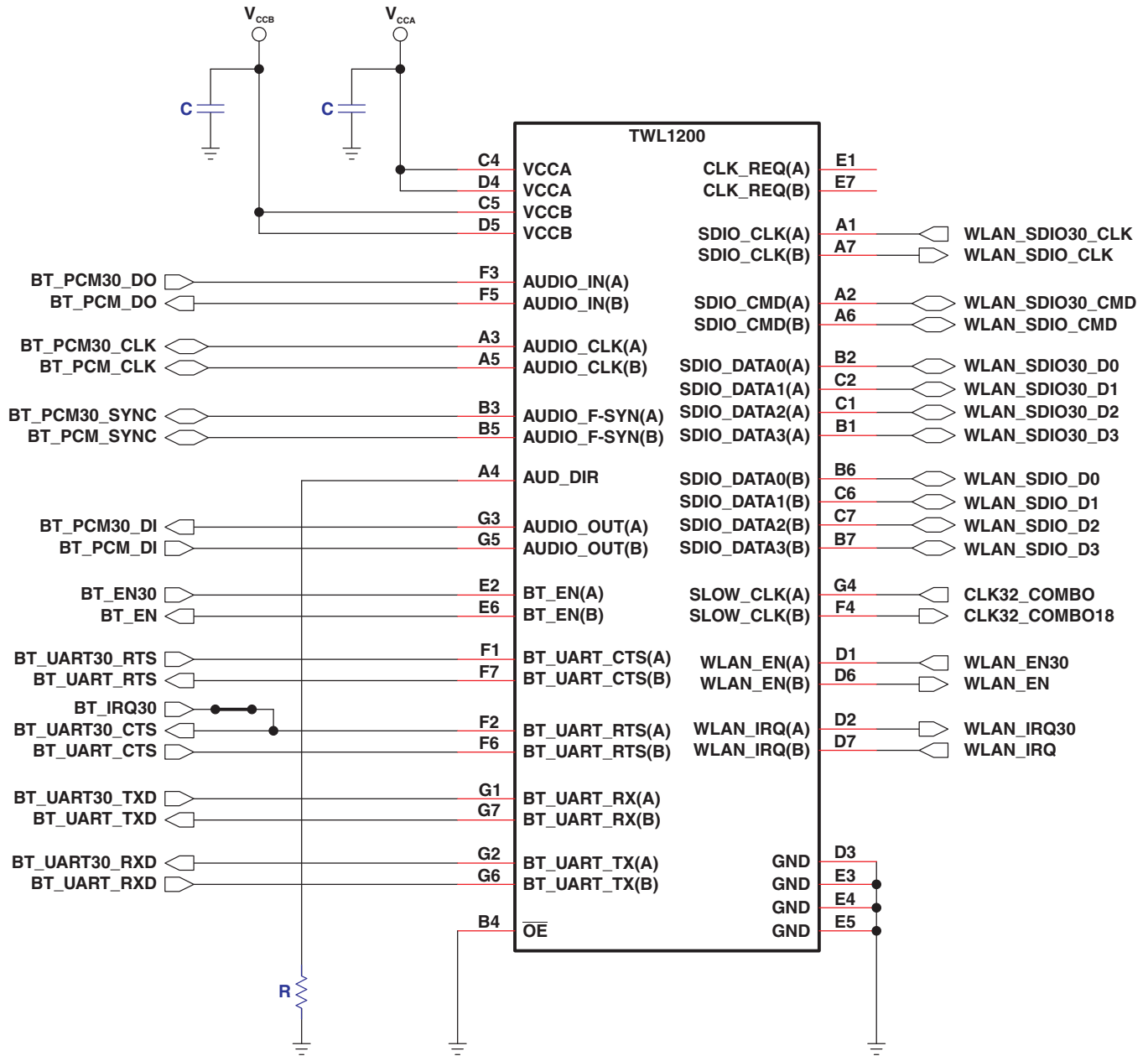


Figure 25. Application Circuit Example, \overline{OE} Connection With Audio_CLK and Audio_F-SYNC Channels Established From B Side to A Side

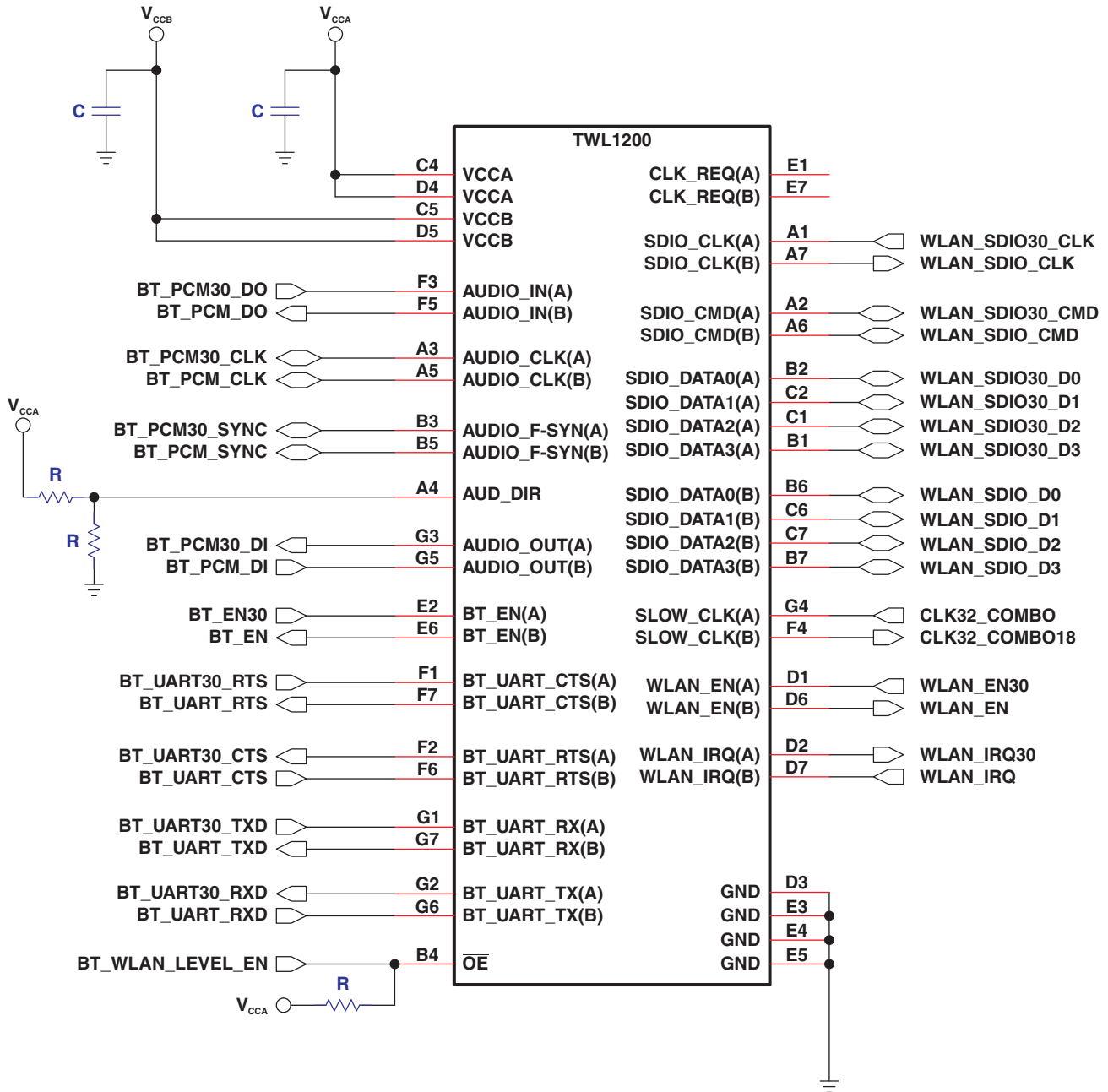


Figure 26. Application Circuit Example, With Voltage Divider for AUD_DIR Connection

PRINCIPLES OF OPERATION

Applications

The TWL1200-Q1 device has been designed to bridge the digital-switching compatibility gap between two voltage nodes to interface successfully the logic threshold levels between a host processor and the Texas Instruments Wi-Link-6 WLAN/BT/FM products. The device is intended to be used in a point-to-point topology when interfacing these devices that may or may not be operating at different interface voltages.

Architecture

The BT/UART and PCM/Audio subsystem interfaces consist of a fully-buffered voltage translator design that has its output transistors to source and sink current optimized for drive strength.

The SDIO lines constitute a semi-buffered auto-direction-sensing based translator architecture (see Figure 27) that does not require a direction-control signal to control the direction of data flow of the A to B ports (or from B to A ports).

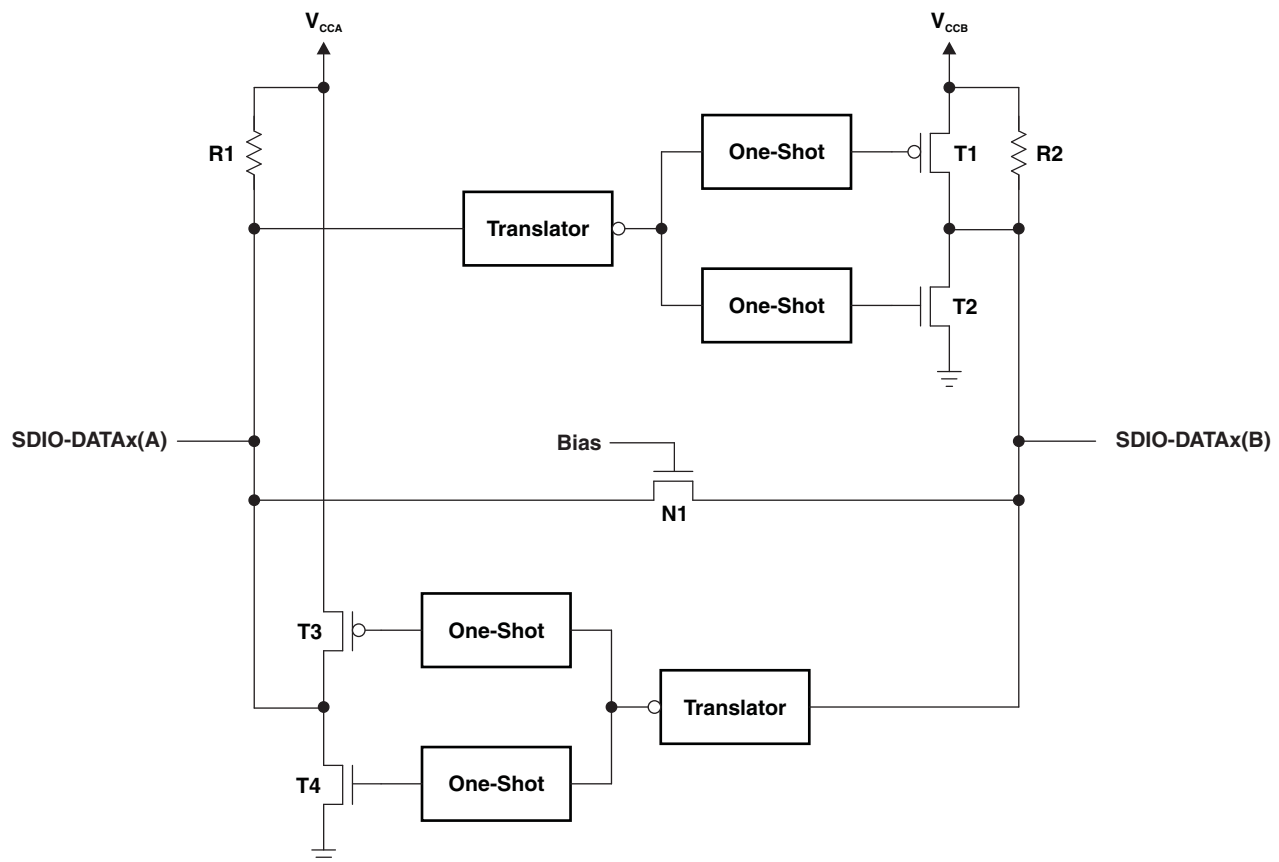


Figure 27. Architecture of an SDIO Switch-Type Cell

Each of these bidirectional SDIO channels independently determines the direction of data flow without a direction-control signal. Each I/O pin can be automatically reconfigured as either an input or an output, which is how this auto-direction feature is realized.

The following two key circuits are employed to facilitate the *switch-type* voltage-translation function:

1. Integrated pullup resistors to provide dc-bias and drive capabilities
2. An N-channel pass-gate transistor topology (with a high R_{ON} of approximately 300 Ω) that ties the A-port to the B-port
3. Output one-shot (O.S.) edge-rate accelerator circuitry to detect and accelerate rising edges on the A or B ports

For bidirectional voltage translation, pullup resistors are included on the device for dc current-sourcing capability. The V_{GATE} gate bias of the N-channel pass transistor is set at a level that optimizes the switch characteristics for maximum data rate as well as minimal static supply leakage. Data can flow in either direction without guidance from a control signal.

The edge-rate acceleration circuitry speeds up the output slew rate by monitoring the input edge for transitions, helping maintain the data rate through the device.

During a low-to-high rising edge of a signal, the O.S. circuits turn on the PMOS transistors (T_1 , T_3) and its associated driver output resistance of the driver is decreased to approximately $50\ \Omega$ to $70\ \Omega$ during this acceleration phase to increase the current drive capability of the driver for approximately 30 ns or 95% of the input edge, whichever occurs first. This edge-rate acceleration provides high ac drive by bypassing the internal pullup resistors during the low-to-high transition to speed up the rising-edge signal.

During a high-to-low signal falling-edge, the O.S. circuits turn on the NMOS transistors (T_2 , T_4) and its associated driver output resistance of the driver is decreased to approximately $50\ \Omega$ to $70\ \Omega$ during this acceleration phase to increase the current drive capability of the driver for approximately 30 ns or 95% of the input edge, whichever occurs first.

To minimize dynamic I_{CC} and the possibility of signal contention, the user should wait for the O.S. circuit to turn off before applying a signal in the opposite direction. The worst-case duration is equal to the minimum pulse-duration number provided in the *Timing Requirements* section of this data sheet.

Once the O.S. is triggered and switched off, both the A and B ports must go to the same state (that is, both High or both Low) for the one-shot to trigger again. In a dc state, the output drivers maintain a Low state through the pass transistor. The output drivers maintain a High through the *smart pullup resistors* that dynamically change value based on whether a Low or a High is being passed through the SDIO lines, as follows:

- R_{PU1} and R_{PU2} values are 25 k Ω when the output is driving a low.
- R_{PU1} and R_{PU2} values are 4 k Ω when the output is driving a high.
- R_{PU1} and R_{PU2} values are 70 k Ω when the device is disabled via the \overline{OE} pin or by pulling the either V_{CCA} or V_{CCB} to 0 V.

The reason for using these *smart pullup resistors* is to allow the TWL1200-Q1 to realize a lower static power consumption (when the I/Os are low), support lower V_{OL} values for the same size pass-gate transistor, and improved simultaneous switching performance.

Input Driver Requirements

The continuous dc-current sinking capability is determined by the external system-level driver interfaced to the SDIO pins. Because the high bandwidth of these bidirectional SDIO circuits necessitates a port quickly changing from an input to an output (and vice-versa), they have a modest dc-current sourcing capability of hundreds of microamps, as determined by the smart pullup resistor values.

The fall time (t_{fA} , t_{fB}) of a signal depends on the edge rate and output impedance of the external device driving the SDIO I/Os, as well as the capacitive loading on these lines.

Similarly, the t_{pd} and maximum data rates also depend on the output impedance of the external driver. The values for t_{fA} , t_{fB} , t_{pd} , and maximum data rates in the data sheet assume that the output impedance of the external driver is less than $50\ \Omega$.

Output Load Considerations

TI recommends careful PCB layout practices with short PCB trace lengths to avoid excessive capacitive loading and to ensure that proper O.S. triggering takes place. PCB signal trace-lengths should be kept short enough such that the round trip delay of any reflection is less than the one-shot duration. This improves signal integrity by ensuring that any reflection sees a low impedance at the driver. The O.S. circuits have been designed to stay on for approximately 30 ns. The maximum capacitance of the lumped load that can be driven also depends directly on the one-shot duration. With very heavy capacitive loads, the one-shot can time-out before the signal is driven fully to the positive rail. The O.S. duration has been set to best optimize trade-offs between dynamic I_{CC} , load driving capability, and maximum bit-rate considerations. Both PCB trace length and connectors add to the capacitance that the TWL1200-Q1 SDIO output sees, so it is recommended that this lumped-load capacitance be considered and kept below 75 pF to avoid O.S. retriggering, bus contention, output signal oscillations, or other adverse system-level affects.

PACKAGING INFORMATION

Orderable Device	Status (1)	Package Type	Package Drawing	Pins	Package Qty	Eco Plan (2)	Lead finish/ Ball material (6)	MSL Peak Temp (3)	Op Temp (°C)	Device Marking (4/5)	Samples
TWL1200IPFBRQ1	ACTIVE	TQFP	PFB	48	1000	RoHS & Green	NIPDAU	Level-3-260C-168 HR	-40 to 85	TWL1200Q1	Samples

(1) The marketing status values are defined as follows:

ACTIVE: Product device recommended for new designs.

LIFEBUY: TI has announced that the device will be discontinued, and a lifetime-buy period is in effect.

NRND: Not recommended for new designs. Device is in production to support existing customers, but TI does not recommend using this part in a new design.

PREVIEW: Device has been announced but is not in production. Samples may or may not be available.

OBSOLETE: TI has discontinued the production of the device.

(2) **RoHS:** TI defines "RoHS" to mean semiconductor products that are compliant with the current EU RoHS requirements for all 10 RoHS substances, including the requirement that RoHS substance do not exceed 0.1% by weight in homogeneous materials. Where designed to be soldered at high temperatures, "RoHS" products are suitable for use in specified lead-free processes. TI may reference these types of products as "Pb-Free".

RoHS Exempt: TI defines "RoHS Exempt" to mean products that contain lead but are compliant with EU RoHS pursuant to a specific EU RoHS exemption.

Green: TI defines "Green" to mean the content of Chlorine (Cl) and Bromine (Br) based flame retardants meet JS709B low halogen requirements of <=1000ppm threshold. Antimony trioxide based flame retardants must also meet the <=1000ppm threshold requirement.

(3) MSL, Peak Temp. - The Moisture Sensitivity Level rating according to the JEDEC industry standard classifications, and peak solder temperature.

(4) There may be additional marking, which relates to the logo, the lot trace code information, or the environmental category on the device.

(5) Multiple Device Markings will be inside parentheses. Only one Device Marking contained in parentheses and separated by a "-" will appear on a device. If a line is indented then it is a continuation of the previous line and the two combined represent the entire Device Marking for that device.

(6) Lead finish/Ball material - Orderable Devices may have multiple material finish options. Finish options are separated by a vertical ruled line. Lead finish/Ball material values may wrap to two lines if the finish value exceeds the maximum column width.

Important Information and Disclaimer: The information provided on this page represents TI's knowledge and belief as of the date that it is provided. TI bases its knowledge and belief on information provided by third parties, and makes no representation or warranty as to the accuracy of such information. Efforts are underway to better integrate information from third parties. TI has taken and continues to take reasonable steps to provide representative and accurate information but may not have conducted destructive testing or chemical analysis on incoming materials and chemicals. TI and TI suppliers consider certain information to be proprietary, and thus CAS numbers and other limited information may not be available for release.

In no event shall TI's liability arising out of such information exceed the total purchase price of the TI part(s) at issue in this document sold by TI to Customer on an annual basis.

OTHER QUALIFIED VERSIONS OF TWL1200-Q1 :

- Catalog: [TWL1200](#)

NOTE: Qualified Version Definitions:

- Catalog - TI's standard catalog product

PFB (S-PQFP-G48)

PLASTIC QUAD FLATPACK



- NOTES: A. All linear dimensions are in millimeters.
 B. This drawing is subject to change without notice.
 C. Falls within JEDEC MS-026

PFB (S-PQFP-G48)



4209366/A 03/08

- NOTES:
- A. All linear dimensions are in millimeters.
 - B. This drawing is subject to change without notice.
 - C. Publication IPC-7351 is recommended for alternate designs.
 - D. Laser cutting apertures with trapezoidal walls and also rounding corners will offer better paste release. Customers should contact their board assembly site for stencil design recommendations. Refer to IPC-7525.
 - E. Customers should contact their board fabrication site for solder mask tolerances between and around signal pads.

IMPORTANT NOTICE AND DISCLAIMER

TI PROVIDES TECHNICAL AND RELIABILITY DATA (INCLUDING DATA SHEETS), DESIGN RESOURCES (INCLUDING REFERENCE DESIGNS), APPLICATION OR OTHER DESIGN ADVICE, WEB TOOLS, SAFETY INFORMATION, AND OTHER RESOURCES "AS IS" AND WITH ALL FAULTS, AND DISCLAIMS ALL WARRANTIES, EXPRESS AND IMPLIED, INCLUDING WITHOUT LIMITATION ANY IMPLIED WARRANTIES OF MERCHANTABILITY, FITNESS FOR A PARTICULAR PURPOSE OR NON-INFRINGEMENT OF THIRD PARTY INTELLECTUAL PROPERTY RIGHTS.

These resources are intended for skilled developers designing with TI products. You are solely responsible for (1) selecting the appropriate TI products for your application, (2) designing, validating and testing your application, and (3) ensuring your application meets applicable standards, and any other safety, security, regulatory or other requirements.

These resources are subject to change without notice. TI grants you permission to use these resources only for development of an application that uses the TI products described in the resource. Other reproduction and display of these resources is prohibited. No license is granted to any other TI intellectual property right or to any third party intellectual property right. TI disclaims responsibility for, and you will fully indemnify TI and its representatives against, any claims, damages, costs, losses, and liabilities arising out of your use of these resources.

TI's products are provided subject to [TI's Terms of Sale](#) or other applicable terms available either on ti.com or provided in conjunction with such TI products. TI's provision of these resources does not expand or otherwise alter TI's applicable warranties or warranty disclaimers for TI products.

TI objects to and rejects any additional or different terms you may have proposed.

Mailing Address: Texas Instruments, Post Office Box 655303, Dallas, Texas 75265
Copyright © 2021, Texas Instruments Incorporated