

## HIGH SPEED POWER DRIVER

 Check for Samples: [UC1705](#), [UC2705](#), [UC3705](#)

### FEATURES

- 1.5 A Source/Sink Drive
- 100 nsec Delay
- 40 nsec Rise Fall into 1000 pF
- Inverting and Non-Inverting Inputs
- Low Cross-Conduction Current Spike
- Low Quiescent Current
- 5 V to 40 V Operation
- Thermal Shutdown Protection
- Minidip and Power Packages

### DESCRIPTION

The UC1705 family of power drivers is made with a high speed Schottky process to interface between low-level control functions and high-power switching devices - particularly power MOSFETs. These devices are also an optimum choice for capacitive line drivers where up to 1.5 A may be switched in either direction. With both inverting and non-inverting inputs available, logic signals of either polarity may be accepted, or one input can be used to gate or strobe the other.

Supply voltages for both  $V_S$  and  $V_C$  can independently range from 5 V to 40 V. For additional application details, see the UC1707/3707 data sheet ([SLUS177](#)).

The UC1705 is packaged in an 8-pin hermetically sealed CERDIP for -55°C to 125°C operation. The UC3705 is specified for a temperature range of 0°C to 70°C and is available in either a plastic minidip or a 5-pin, power TO-220 package.

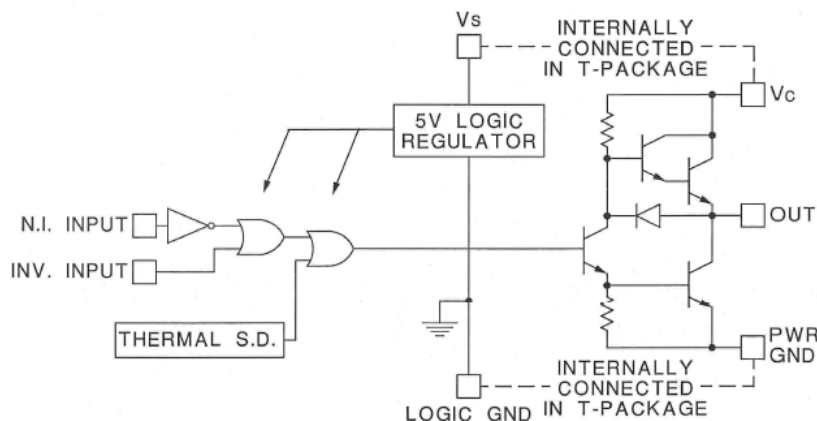
**TRUTH TABLE<sup>(1)(2)</sup>**

| INV | N.I | OUT |
|-----|-----|-----|
| H   | H   | L   |
| L   | H   | H   |
| H   | L   | L   |
| L   | L   | L   |

 (1)  $\overline{OUT} = \overline{INV}$  and N.I.

 (2)  $\overline{OUT} = INV$  and N.i.

### BLOCK DIAGRAM



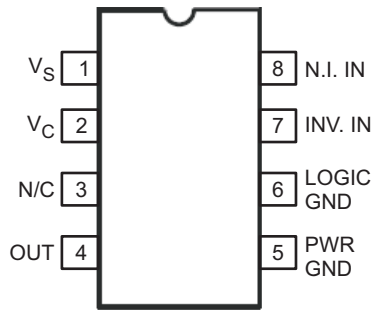
Please be aware that an important notice concerning availability, standard warranty, and use in critical applications of Texas Instruments semiconductor products and disclaimers thereto appears at the end of this data sheet.



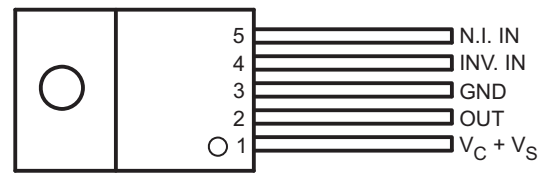
These devices have limited built-in ESD protection. The leads should be shorted together or the device placed in conductive foam during storage or handling to prevent electrostatic damage to the MOS gates.

### CONNECTION DIAGRAMS

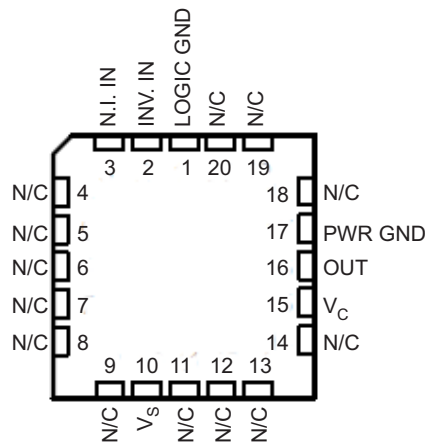
**DIL-8 MINIDIP, SOIC-8  
(TOP VIEW)  
N, JG OR D PACKAGE**



**5-PIN TO-220  
(TOP VIEW)  
T PACKAGE**



**LCCC-20  
(TOP VIEW)  
FK PACKAGE**



**ABSOLUTE MAXIMUM RATINGS<sup>(1)</sup>**

|  | VALUE      |            |            | UNIT |
|--|------------|------------|------------|------|
|  | N-Pkg      | JG-Pkg     | T-Pkg      |      |
| Supply Voltage ( $V_{IN}$ )  | 40         | 40         | 40         | V    |
| Collector Supply Voltage, $V_C$  | 40         | 40         | 40         |      |
| Output current (source or sink)  |            |            |            |      |
| Steady-State   | ±500       | ±500       | ±1         | A    |
| Peak Transient   | ±1.5       | ±1         | ±2         | A    |
| Capacitive Discharge Energy  | 20         | 15         | 50         | μJ   |
| Digital Inputs <sup>(2)</sup>  | 5.5        | 5.5        | 5.5        | V    |
| Power Dissipation at $T_A = 25^\circ\text{C}$ <sup>(1)</sup>               | 1          | 1          | 3          | W    |
| Power Dissipation at $T_A$ (Lead/Case) = $25^\circ\text{C}$ <sup>(1)</sup> | 3          | 2          | 25         | W    |
| Operating Temperature Range  | 0 to 70    | -55 to 125 | 0 to 70    | °C   |
| Storage temperature  | -65 to 150 | -65 to 150 | -65 to 150 | °C   |

(1) All currents are positive into, negative out of the specified terminal.

(2) Digital Drive can exceed 5.5 V if the input current is limited to 10 mA

**ELECTRICAL CHARACTERISTICS**

Unless otherwise stated, these specifications apply for  $T_A = -55^\circ\text{C}$  to  $+125^\circ\text{C}$  for the UC1705,  $-25^\circ\text{C}$  to  $+85^\circ\text{C}$  for the UC2707, and  $0^\circ\text{C}$  to  $+70^\circ\text{C}$  for the UC3705;  $V_{IN} = V_C = 20\text{ V}$ .  $T_A = T_J$ .

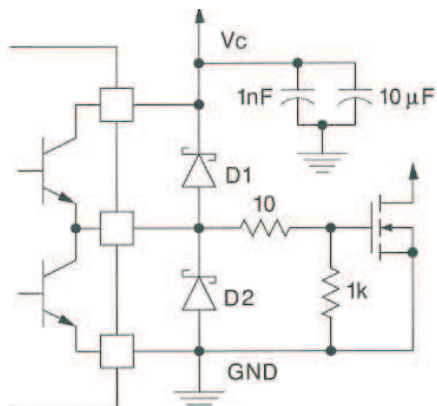
| PARAMETER   |                              | TEST CONDITIONS                               | MIN | TYP  | MAX | UNIT |
|-------------|------------------------------|---|-----|------|-----|------|
| $V_S$       | Supply current               | $V_S = 40\text{ V}$ , outputs high, T package |     | 6    | 8   | mA   |
|             |                              | $V_C = 40\text{ V}$ , outputs low, T package  |     | 6    | 12  | mA   |
| $V_C$       | Supply current (N, JG Only)  | $V_C = 40\text{ V}$ , outputs low             |     | 2    | 4   | mA   |
| $V_C$       | Leakage current (N, JG Only) | $V_S = 0$ , $V_C = 30\text{ V}$               |     | 0.05 | 0.1 | mA   |
|             | Digital input low level      |   |     |      | 0.8 | V    |
|             | Digital input high level     |   | 2.2 |      |     | V    |
|             | Input current                | $V_I = 0$                                     |     | -0.6 | -1  | mA   |
|             | Input leakage                | $V_I = 5\text{ V}$                            |     | 0.05 | 0.1 | mA   |
| $V_C - V_O$ | Output high saturation       | $I_O = -50\text{ mA}$                         |     |      | 2   | V    |
|             |                              | $I_O = -500\text{ mA}$                        |     |      | 2.5 |      |
| $V_O$       | Output low saturation        | $I_O = -50\text{ mA}$                         |     |      | 0.4 | V    |
|             |                              | $I_O = -500\text{ mA}$                        |     |      | 2.5 |      |
|             | Thermal shutdown             |   |     | 155  |     | °C   |

## TYPICAL SWITCHING CHARACTERISTICS

$V_{IN} = V_C = 20\text{ V}$ ,  $T_A = 25^\circ\text{C}$ . Delays measured to 10% output change.

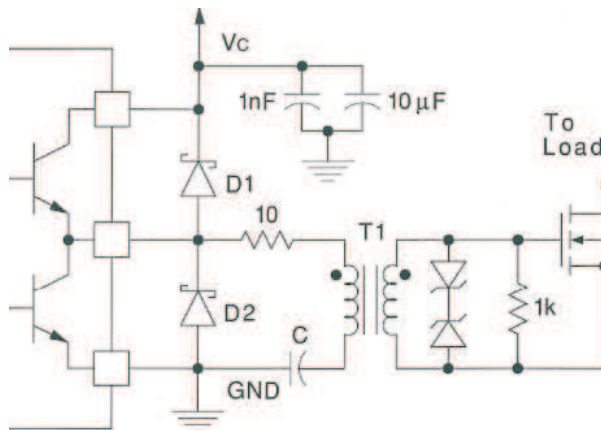
| PARAMETER                                     | TEST CONDITIONS | OUTPUT CL = |    |     | UNIT |
|---|-----------------|-------------|----|-----|------|
| <b>From Inv. Input to Output</b>              |                 | open        | 1  | 2.2 | nF   |
| Rise time delay                               |                 | 60          | 60 | 60  | ns   |
| 10% to 90% rise                               |                 | 20          | 40 | 60  | ns   |
| Fall time delay                               |                 | 60          | 60 | 60  | ns   |
| 90% to 10% fall                               |                 | 25          | 40 | 50  | ns   |
| <b>From N.I. Input to Output</b>              |                 |             |    |     |      |
| Rise time delay                               |                 | 90          | 90 | 90  | ns   |
| 10% to 90% rise                               |                 | 20          | 40 | 60  | ns   |
| Fall time delay                               |                 | 60          | 60 | 60  | ns   |
| 90% to 10% fall                               |                 | 25          | 40 | 50  | ns   |
| $V_C$ cross-conduction current spike duration | Output rise     | 25          |    |     | ns   |
|   | Output fall     | 0           |    |     | ns   |

APPLICATION INFORMATION



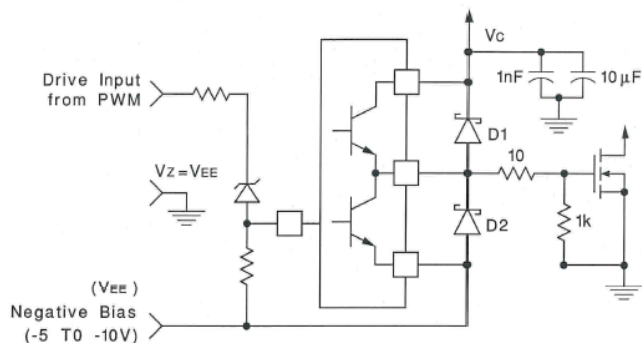
D1, D2: UC3611 Schottky Diodes

Figure 1. Power MOSFET Drive Circuit



D1, D2: UC3611 Schottky Diodes

Figure 3. Transformer Coupled MOSFET DRIVE Circuit



D1, D2: UC3611 Schottky Diodes

Figure 2. Power MOSFET Drive Circuit Using Negative Bias Voltage and Level Shifting to Ground Referenced PWMs

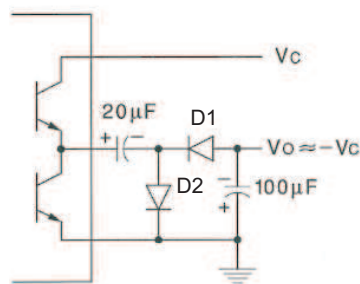
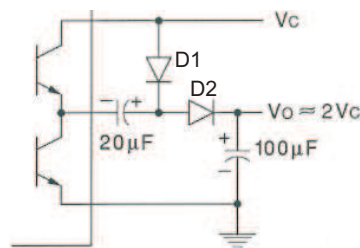


Figure 4. Charge Pump Circuit

## REVISION HISTORY

| Changes from Revision C (December, 2011) to Revision D     | Page              |
|--|-------------------|
| • Deleted SN54BCT373 from title for FK package image ..... | <a href="#">2</a> |

**PACKAGING INFORMATION**

| Orderable Device | Status<br>(1) | Package Type | Package Drawing | Pins | Package Qty | Eco Plan<br>(2)     | Lead finish/<br>Ball material<br>(6) | MSL Peak Temp<br>(3) | Op Temp (°C) | Device Marking<br>(4/5)                 | Samples                 |
|------------------|---------------|--------------|-----------------|------|-------------|---------------------|--------------------------------------|----------------------|--------------|---|-------------------------|
| 5962-9579801M2A  | ACTIVE        | LCCC         | FK              | 20   | 55          | Non-RoHS<br>& Green | SNPB                                 | N / A for Pkg Type   | -55 to 125   | 5962-<br>9579801M2A<br>UC1705L/<br>883B | <a href="#">Samples</a> |
| 5962-9579801MPA  | ACTIVE        | CDIP         | JG              | 8    | 50          | Non-RoHS<br>& Green | SNPB                                 | N / A for Pkg Type   | -55 to 125   | 9579801MPA<br>UC1705                    | <a href="#">Samples</a> |
| 5962-9579801VPA  | ACTIVE        | CDIP         | JG              | 8    | 50          | Non-RoHS<br>& Green | SNPB                                 | N / A for Pkg Type   | -55 to 125   | 9579801VPA<br>UC1705                    | <a href="#">Samples</a> |
| UC1705J          | ACTIVE        | CDIP         | JG              | 8    | 50          | Non-RoHS<br>& Green | SNPB                                 | N / A for Pkg Type   | -55 to 125   | UC1705J                                 | <a href="#">Samples</a> |
| UC1705J883B      | ACTIVE        | CDIP         | JG              | 8    | 50          | Non-RoHS<br>& Green | SNPB                                 | N / A for Pkg Type   | -55 to 125   | 9579801MPA<br>UC1705                    | <a href="#">Samples</a> |
| UC1705L883B      | ACTIVE        | LCCC         | FK              | 20   | 55          | Non-RoHS<br>& Green | SNPB                                 | N / A for Pkg Type   | -55 to 125   | 5962-<br>9579801M2A<br>UC1705L/<br>883B | <a href="#">Samples</a> |
| UC2705D          | ACTIVE        | SOIC         | D               | 8    | 75          | RoHS & Green        | NIPDAU                               | Level-2-260C-1 YEAR  | -40 to 85    | UC2705D                                 | <a href="#">Samples</a> |
| UC2705DG4        | ACTIVE        | SOIC         | D               | 8    | 75          | RoHS & Green        | NIPDAU                               | Level-2-260C-1 YEAR  | -40 to 85    | UC2705D                                 | <a href="#">Samples</a> |
| UC2705N          | ACTIVE        | PDIP         | P               | 8    | 50          | RoHS & Green        | NIPDAU                               | N / A for Pkg Type   | -40 to 85    | UC2705N                                 | <a href="#">Samples</a> |
| UC3705D          | ACTIVE        | SOIC         | D               | 8    | 75          | RoHS & Green        | NIPDAU                               | Level-2-260C-1 YEAR  | 0 to 70      | UC3705D                                 | <a href="#">Samples</a> |
| UC3705DTR        | ACTIVE        | SOIC         | D               | 8    | 2500        | RoHS & Green        | NIPDAU                               | Level-2-260C-1 YEAR  | 0 to 70      | UC3705D                                 | <a href="#">Samples</a> |
| UC3705J          | ACTIVE        | CDIP         | JG              | 8    | 50          | Non-RoHS<br>& Green | SNPB                                 | N / A for Pkg Type   | 0 to 70      | UC3705J                                 | <a href="#">Samples</a> |
| UC3705N          | ACTIVE        | PDIP         | P               | 8    | 50          | RoHS & Green        | NIPDAU                               | N / A for Pkg Type   | 0 to 70      | UC3705N                                 | <a href="#">Samples</a> |

(1) The marketing status values are defined as follows:

**ACTIVE:** Product device recommended for new designs.

**LIFEBUY:** TI has announced that the device will be discontinued, and a lifetime-buy period is in effect.

**NRND:** Not recommended for new designs. Device is in production to support existing customers, but TI does not recommend using this part in a new design.

**PREVIEW:** Device has been announced but is not in production. Samples may or may not be available.

**OBSELETE:** TI has discontinued the production of the device.

<sup>(2)</sup> **RoHS:** TI defines "RoHS" to mean semiconductor products that are compliant with the current EU RoHS requirements for all 10 RoHS substances, including the requirement that RoHS substance do not exceed 0.1% by weight in homogeneous materials. Where designed to be soldered at high temperatures, "RoHS" products are suitable for use in specified lead-free processes. TI may reference these types of products as "Pb-Free".

**RoHS Exempt:** TI defines "RoHS Exempt" to mean products that contain lead but are compliant with EU RoHS pursuant to a specific EU RoHS exemption.

**Green:** TI defines "Green" to mean the content of Chlorine (Cl) and Bromine (Br) based flame retardants meet JS709B low halogen requirements of <=1000ppm threshold. Antimony trioxide based flame retardants must also meet the <=1000ppm threshold requirement.

<sup>(3)</sup> MSL, Peak Temp. - The Moisture Sensitivity Level rating according to the JEDEC industry standard classifications, and peak solder temperature.

<sup>(4)</sup> There may be additional marking, which relates to the logo, the lot trace code information, or the environmental category on the device.

<sup>(5)</sup> Multiple Device Markings will be inside parentheses. Only one Device Marking contained in parentheses and separated by a "~" will appear on a device. If a line is indented then it is a continuation of the previous line and the two combined represent the entire Device Marking for that device.

<sup>(6)</sup> Lead finish/Ball material - Orderable Devices may have multiple material finish options. Finish options are separated by a vertical ruled line. Lead finish/Ball material values may wrap to two lines if the finish value exceeds the maximum column width.

**Important Information and Disclaimer:**The information provided on this page represents TI's knowledge and belief as of the date that it is provided. TI bases its knowledge and belief on information provided by third parties, and makes no representation or warranty as to the accuracy of such information. Efforts are underway to better integrate information from third parties. TI has taken and continues to take reasonable steps to provide representative and accurate information but may not have conducted destructive testing or chemical analysis on incoming materials and chemicals. TI and TI suppliers consider certain information to be proprietary, and thus CAS numbers and other limited information may not be available for release.

In no event shall TI's liability arising out of such information exceed the total purchase price of the TI part(s) at issue in this document sold by TI to Customer on an annual basis.

**OTHER QUALIFIED VERSIONS OF UC1705, UC1705-SP, UC3705, UC3705M :**

- Catalog : [UC3705](#), [UC1705](#), [UC3705M](#), [UC3705](#)
- Military : [UC1705](#), [UC1705](#)
- Space : [UC1705-SP](#)

NOTE: Qualified Version Definitions:

- Catalog - TI's standard catalog product
- Military - QML certified for Military and Defense Applications



- Space - Radiation tolerant, ceramic packaging and qualified for use in Space-based application

**TAPE AND REEL INFORMATION**

**QUADRANT ASSIGNMENTS FOR PIN 1 ORIENTATION IN TAPE**


\*All dimensions are nominal

| Device    | Package Type | Package Drawing | Pins | SPQ  | Reel Diameter (mm) | Reel Width W1 (mm) | A0 (mm) | B0 (mm) | K0 (mm) | P1 (mm) | W (mm) | Pin1 Quadrant |
|-----------|--------------|-----------------|------|------|--------------------|--------------------|---------|---------|---------|---------|--------|---------------|
| UC3705DTR | SOIC         | D               | 8    | 2500 | 330.0              | 12.4               | 6.4     | 5.2     | 2.1     | 8.0     | 12.0   | Q1            |

**TAPE AND REEL BOX DIMENSIONS**


\*All dimensions are nominal

| Device    | Package Type | Package Drawing | Pins | SPQ  | Length (mm) | Width (mm) | Height (mm) |
|-----------|--------------|-----------------|------|------|-------------|------------|-------------|
| UC3705DTR | SOIC         | D               | 8    | 2500 | 356.0       | 356.0      | 35.0        |

**TUBE**


\*All dimensions are nominal

| Device          | Package Name | Package Type | Pins | SPQ | L (mm) | W (mm) | T (μm) | B (mm) |
|-----------------|--------------|--------------|------|-----|--------|--------|--------|--------|
| 5962-9579801M2A | FK           | LCCC         | 20   | 55  | 506.98 | 12.06  | 2030   | NA     |
| UC1705L883B     | FK           | LCCC         | 20   | 55  | 506.98 | 12.06  | 2030   | NA     |
| UC2705D         | D            | SOIC         | 8    | 75  | 506.6  | 8      | 3940   | 4.32   |
| UC2705DG4       | D            | SOIC         | 8    | 75  | 506.6  | 8      | 3940   | 4.32   |
| UC2705N         | P            | PDIP         | 8    | 50  | 506    | 13.97  | 11230  | 4.32   |
| UC3705D         | D            | SOIC         | 8    | 75  | 506.6  | 8      | 3940   | 4.32   |
| UC3705N         | P            | PDIP         | 8    | 50  | 506    | 13.97  | 11230  | 4.32   |

## GENERIC PACKAGE VIEW

**FK 20**

**LCCC - 2.03 mm max height**

8.89 x 8.89, 1.27 mm pitch

LEADLESS CERAMIC CHIP CARRIER

This image is a representation of the package family, actual package may vary.  
Refer to the product data sheet for package details.



4229370VA\



D0008A

# PACKAGE OUTLINE

SOIC - 1.75 mm max height

SMALL OUTLINE INTEGRATED CIRCUIT



4214825/C 02/2019

NOTES:

1. Linear dimensions are in inches [millimeters]. Dimensions in parenthesis are for reference only. Controlling dimensions are in inches. Dimensioning and tolerancing per ASME Y14.5M.
2. This drawing is subject to change without notice.
3. This dimension does not include mold flash, protrusions, or gate burrs. Mold flash, protrusions, or gate burrs shall not exceed  $.006$  [0.15] per side.
4. This dimension does not include interlead flash.
5. Reference JEDEC registration MS-012, variation AA.



# EXAMPLE STENCIL DESIGN

D0008A

SOIC - 1.75 mm max height

SMALL OUTLINE INTEGRATED CIRCUIT



SOLDER PASTE EXAMPLE  
BASED ON .005 INCH [0.125 MM] THICK STENCIL  
SCALE:8X

4214825/C 02/2019

NOTES: (continued)

8. Laser cutting apertures with trapezoidal walls and rounded corners may offer better paste release. IPC-7525 may have alternate design recommendations.
9. Board assembly site may have different recommendations for stencil design.



P (R-PDIP-T8)

PLASTIC DUAL-IN-LINE PACKAGE



- NOTES:
- A. All linear dimensions are in inches (millimeters).
  - B. This drawing is subject to change without notice.
  - C. Falls within JEDEC MS-001 variation BA.

# PACKAGE OUTLINE

## JG0008A

### CDIP - 5.08 mm max height

CERAMIC DUAL IN-LINE PACKAGE



#### NOTES:

1. All linear dimensions are in millimeters. Any dimensions in parenthesis are for reference only. Dimensioning and tolerancing per ASME Y14.5M.
2. This drawing is subject to change without notice.
3. This package can be hermetically sealed with a ceramic lid using glass frit.
4. Index point is provided on cap for terminal identification.
5. Falls within MIL STD 1835 GDIP1-T8

# EXAMPLE BOARD LAYOUT

JG0008A

CDIP - 5.08 mm max height

CERAMIC DUAL IN-LINE PACKAGE



LAND PATTERN EXAMPLE  
NON SOLDER MASK DEFINED  
SCALE: 9X

4230036/A 09/2023

## IMPORTANT NOTICE AND DISCLAIMER

TI PROVIDES TECHNICAL AND RELIABILITY DATA (INCLUDING DATA SHEETS), DESIGN RESOURCES (INCLUDING REFERENCE DESIGNS), APPLICATION OR OTHER DESIGN ADVICE, WEB TOOLS, SAFETY INFORMATION, AND OTHER RESOURCES "AS IS" AND WITH ALL FAULTS, AND DISCLAIMS ALL WARRANTIES, EXPRESS AND IMPLIED, INCLUDING WITHOUT LIMITATION ANY IMPLIED WARRANTIES OF MERCHANTABILITY, FITNESS FOR A PARTICULAR PURPOSE OR NON-INFRINGEMENT OF THIRD PARTY INTELLECTUAL PROPERTY RIGHTS.

These resources are intended for skilled developers designing with TI products. You are solely responsible for (1) selecting the appropriate TI products for your application, (2) designing, validating and testing your application, and (3) ensuring your application meets applicable standards, and any other safety, security, regulatory or other requirements.

These resources are subject to change without notice. TI grants you permission to use these resources only for development of an application that uses the TI products described in the resource. Other reproduction and display of these resources is prohibited. No license is granted to any other TI intellectual property right or to any third party intellectual property right. TI disclaims responsibility for, and you will fully indemnify TI and its representatives against, any claims, damages, costs, losses, and liabilities arising out of your use of these resources.

TI's products are provided subject to [TI's Terms of Sale](#) or other applicable terms available either on [ti.com](https://www.ti.com) or provided in conjunction with such TI products. TI's provision of these resources does not expand or otherwise alter TI's applicable warranties or warranty disclaimers for TI products.

TI objects to and rejects any additional or different terms you may have proposed.

Mailing Address: Texas Instruments, Post Office Box 655303, Dallas, Texas 75265  
Copyright © 2024, Texas Instruments Incorporated