

Errata  
**MSP430F67671 Microcontroller**



**ABSTRACT**

This document describes the known exceptions to the functional specifications (advisories).

---

**Table of Contents**

<b>1 Functional Advisories</b> .....	<b>2</b>
<b>2 Preprogrammed Software Advisories</b> .....	<b>2</b>
<b>3 Debug Only Advisories</b> .....	<b>3</b>
<b>4 Fixed by Compiler Advisories</b> .....	<b>3</b>
<b>5 Nomenclature, Package Symbolization, and Revision Identification</b> .....	<b>4</b>
5.1 Device Nomenclature.....	4
5.2 Package Markings.....	4
5.3 Memory-Mapped Hardware Revision (TLV Structure).....	5
<b>6 Advisory Descriptions</b> .....	<b>6</b>
<b>7 Revision History</b> .....	<b>26</b>

## 1 Functional Advisories

Advisories that affect the device's operation, function, or parametrics.

✓ The check mark indicates that the issue is present in the specified revision.

Errata Number	Rev A
<a href="#">ADC39</a>	✓
<a href="#">ADC42</a>	✓
<a href="#">ADC69</a>	✓
<a href="#">AUXPMM1</a>	✓
<a href="#">AUXPMM2</a>	✓
<a href="#">COMP10</a>	✓
<a href="#">CPU36</a>	✓
<a href="#">CPU37</a>	✓
<a href="#">CPU46</a>	✓
<a href="#">CPU47</a>	✓
<a href="#">DMA4</a>	✓
<a href="#">DMA7</a>	✓
<a href="#">DMA9</a>	✓
<a href="#">DMA10</a>	✓
<a href="#">LCDB6</a>	✓
<a href="#">PMM11</a>	✓
<a href="#">PMM12</a>	✓
<a href="#">PMM14</a>	✓
<a href="#">PMM15</a>	✓
<a href="#">PMM18</a>	✓
<a href="#">PMM20</a>	✓
<a href="#">PMM26</a>	✓
<a href="#">PORT15</a>	✓
<a href="#">PORT19</a>	✓
<a href="#">PORT26</a>	✓
<a href="#">RTC8</a>	✓
<a href="#">SD3</a>	✓
<a href="#">SYS16</a>	✓
<a href="#">UCS11</a>	✓
<a href="#">USCI36</a>	✓
<a href="#">USCI37</a>	✓
<a href="#">USCI41</a>	✓
<a href="#">USCI42</a>	✓
<a href="#">USCI47</a>	✓
<a href="#">USCI50</a>	✓

## 2 Preprogrammed Software Advisories

Advisories that affect factory-programmed software.

✓ The check mark indicates that the issue is present in the specified revision.

Errata Number	Rev A
<a href="#">BSL7</a>	✓

Errata Number	Rev A
<a href="#">BSL14</a>	✓

### 3 Debug Only Advisories

Advisories that affect only debug operation.

✓ The check mark indicates that the issue is present in the specified revision.

Errata Number	Rev A
<a href="#">EEM17</a>	✓
<a href="#">EEM19</a>	✓
<a href="#">EEM23</a>	✓
<a href="#">JTAG26</a>	✓
<a href="#">JTAG27</a>	✓

### 4 Fixed by Compiler Advisories

Advisories that are resolved by compiler workaround. Refer to each advisory for the IDE and compiler versions with a workaround.

✓ The check mark indicates that the issue is present in the specified revision.

Errata Number	Rev A
<a href="#">CPU21</a>	✓
<a href="#">CPU22</a>	✓
<a href="#">CPU40</a>	✓

Refer to the following MSP430 compiler documentation for more details about the CPU bugs workarounds.

#### TI MSP430 Compiler Tools (Code Composer Studio IDE)

- [MSP430 Optimizing C/C++ Compiler](#): Check the `--silicon_errata` option
- [MSP430 Assembly Language Tools](#)

#### MSP430 GNU Compiler (MSP430-GCC)

- [MSP430 GCC Options](#): Check `-msilicon-errata=` and `-msilicon-errata-warn=` options
- [MSP430 GCC User's Guide](#)

#### IAR Embedded Workbench

- [IAR workarounds for msp430 hardware issues](#)

## 5 Nomenclature, Package Symbolization, and Revision Identification

The revision of the device can be identified by the revision letter on the [Package Markings](#) or by the [HW\\_ID](#) located inside the TLV structure of the device.

### 5.1 Device Nomenclature

To designate the stages in the product development cycle, TI assigns prefixes to the part numbers of all MSP MCU devices. Each MSP MCU commercial family member has one of two prefixes: MSP or XMS. These prefixes represent evolutionary stages of product development from engineering prototypes (XMS) through fully qualified production devices (MSP).

**XMS** – Experimental device that is not necessarily representative of the final device's electrical specifications

**MSP** – Fully qualified production device

Support tool naming prefixes:

**X**: Development-support product that has not yet completed Texas Instruments internal qualification testing.

**null**: Fully-qualified development-support product.

XMS devices and X development-support tools are shipped against the following disclaimer:

"Developmental product is intended for internal evaluation purposes."

MSP devices have been characterized fully, and the quality and reliability of the device have been demonstrated fully. TI's standard warranty applies.

Predictions show that prototype devices (XMS) have a greater failure rate than the standard production devices. TI recommends that these devices not be used in any production system because their expected end-use failure rate still is undefined. Only qualified production devices are to be used.

TI device nomenclature also includes a suffix with the device family name. This suffix indicates the temperature range, package type, and distribution format.

### 5.2 Package Markings

**PEU128**

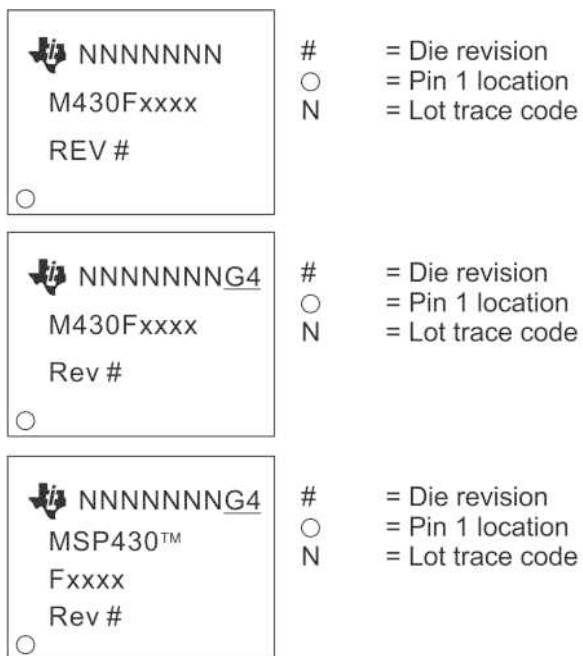
**QFP (PEU), 128 Pin**



# = Die revision  
○ = Pin 1 location  
N = Lot trace code

**PZ100**

**LQFP (PZ) 100 Pin**



NOTE: Package marking with "TM" applies only to devices released after 2011.

### 5.3 Memory-Mapped Hardware Revision (TLV Structure)

Die Revision	TLV Hardware Revision
Rev A	10h

Further guidance on how to locate the TLV structure and read out the HW\_ID can be found in the device User's Guide.

## 6 Advisory Descriptions

### ADC39 *ADC Module*

---

**Category** Functional

**Function** Erroneous ADC10 results in extended sample mode

**Description** If the extended sample mode is selected (ADC10SHP = 0) and the ADC10CLK is asynchronous to the SHI signal, the ADC10 may generate erroneous results.

**Workaround** 1) Use the pulse sample mode (ADC10SHP=1)  
OR  
2) Use a synchronous clock for ADC10 and the SHI signal.

### ADC42 *ADC Module*

---

**Category** Functional

**Function** ADC stops converting when successive ADC is triggered before the previous conversion ends

**Description** Subsequent ADC conversions are halted if a new ADC conversion is triggered while ADC is busy. ADC conversions are triggered manually or by a timer. The affected ADC modes are:

- sequence-of-channels
- repeat-single-channel
- repeat-sequence-of-channels (ADC12CTL1.ADC12CONSEQx)

In addition, the timer overflow flag cannot be used to detect an overflow (ADC12IFGR2.ADC12TOVIFG).

**Workaround** 1. For manual trigger mode (ADC12CTL0.ADC12SC), ensure each ADC conversion is completed by first checking ADC12CTL1.ADC12BUSY bit before starting a new conversion.

2. For timer trigger mode (ADC12CTL1.ADC12SHP), ensure the timer period is greater than the ADC sample and conversion time.

To recover the conversion halt:

1. Disable ADC module (ADC12CTL0.ADC12ENC = 0 and ADC12CTL0.ADC12ON = 0)
2. Re-enable ADC module (ADC12CTL0.ADC12ON = 1 and ADC12CTL0.ADC12ENC = 1)
3. Re-enable conversion

### ADC69 *ADC Module*

---

**Category** Functional

**Function** ADC stops operating if ADC clock source is changed from SMCLK to another source while SMCLKOFF = 1.

**Description** When SMCLK is used as the clock source for the ADC (ADC12CTL1.ADC12SSELx = 11) and CSCTL4.SMCLKOFF = 1, the ADC will stop operating if the ADC clock source is changed by user software (e.g. in the ISR) from SMCLK to a different clock source. This issue appears only for the ADC12CTL1.ADC12DIVx settings /3/5/7. The hang state can be recovered by PUC/POR/BOR/Power cycle.

**Workaround** 1. Set CSCTL4.SMCLKOFF = 0 before switch ADC clock source.

OR

2. Only use ADC12CTL1.ADC12DIVx as /1, /2, /4, /6, /8

## **AUXPMM1** ***AUXPMM Module***

---

**Category** Functional

**Function** AUXVCC1/AUXVCC2 can not be switched back to DVCC

**Description** When the system is running with the AUXVCC1 supply after DVCC/AVCC is lost, if the AUXVCC1 voltage goes lower than SVSH setting for POR and above BORH level, the system can not switch back to DVCC after DVCC ramps back up again. Similarly, when the system is running with the AUXVCC2 supply after DVCC/AVCC is lost, if the AUXVCC2 voltage goes lower than SVSH setting for POR and above BORH level, the system can not switch back to DVCC after DVCC ramps back up again.

**Workaround** When the system is running with the AUXVCC1 supply, use SVMH to monitor AUXVCC1 voltage. When AUXVCC1 is lower than the SVMH setting, the program drives the chip into LPMx.5. After DVCC ramps up back again, trigger one of the wake up pins. The power supply could be switched back to DVCC again.

When the system is running with the AUXVCC2 supply, use SVMH to monitor AUXVCC2 voltage. When AUXVCC2 is lower than the SVMH setting, the program drives the chip into LPMx.5. After DVCC ramps up back again, trigger one of the wake up pins. The power supply could be switched back to DVCC again.

## **AUXPMM2** ***AUXPMM Module***

---

**Category** Functional

**Function** Latch-up in AUXPMM

**Description** Latch-up current can appear at the AUXPMM module supply pins in the following two scenarios:

Scenario 1: When the AUXPMM is configured for hardware- or software-controlled switching and the module switches from DVCC to AUXVCC2, latch-up current can appear at AUXVCC2 at the switching point defined by SVSMHCTL.SVSMHRRL (or AUXCTL2.AUX0LVLx). The probability for this event to occur depends on:

- Operating temperature (higher temperatures increase probability)
- External AUXVCC2 voltage level (higher voltages increase probability)
- SVSMHRRL level (lower levels increase probability) defining the switching level in hardware-controlled mode
- AUX0LVLx level (lower levels increase probability) defining the switching level in software-controlled mode (applicable to DVCC only)

Scenario 2: When a battery is connected to DVCC, AUXVCC1 or AUXVCC2 as the first voltage supply, due to the low internal resistance of the battery a very fast rise time is

seen by the AUXPMM and latch-up current can appear at the connected supply if:

- Rise times are in the range of 140 kV/s (faster rise times increase probability)
- Device operates at temperatures of 75 deg C and above (higher temperatures increase probability)

The latch-up current disappears after complete power cycles of all supply sources.

### Workaround

For scenario 1:

- Increase SVSMRRL to a level above maximum external voltage expected on AUXVCC2. SVSMRRL = 6 or 7 (requires VCORE level of 3) is applicable for AUXVCC2 of up to maximum voltage, 3.58V, while a lower SVSMRRL setting can be selected if a lower voltage (e.g. 3.3V) is expected on AUXVCC2.

Or

- Connect all 3 supplies via 3 external diodes to DVCC and realize the switching externally without using the internal AUXPMM switches. See application report "[Implementation of a Three-Phase Electronic Watt-Hour Meter Using the MSP430F471xx](#)" for details.

Or

- Use AUXVCC1 instead of AUXVCC2 for backup supply

For scenario 2:

Limit the supply voltage ramp up time through a series resistor (e.g. 10 Ohm) in the critical supply path. Side effects such as voltage dips due to high current consumption of the device need to be considered.

### BSL7

#### **BSL Module**

---

#### Category

Software in ROM

#### Function

BSL does not start after waking up from LPMx.5

#### Description

When waking up from LPMx.5 mode, the BSL does not start as it does not clear the Lock I/O bit (LOCKLPM5 bit in PM5CTL0 register) on start-up.

#### Workaround

- Upgrade the device BSL to the latest version (see Creating a Custom Flash-Based Bootstrap Loader (BSL) Application Note - SLAA450 for more details)
- OR
- Do not use LOCKLPM5 bit (LPMx.5) if the BSL is used but cannot be upgraded.

### BSL14

#### **BSL Module**

---

#### Category

Software in ROM

#### Function

BSL request to unlock the JTAG

#### Description

The feature in the BSL to keep the JTAG unlocked by setting the bit BSL\_REQ\_JTAG\_OPEN in the return value has been disabled in this device.

#### Workaround

None

### COMP10

#### **COMP Module**

---

#### Category

Functional



**Function** Comparator port output toggles when entering or leaving LPM3/LPM4

**Description** The comparator port pin output (CECTL1.CEOUT) erroneously toggles when device enters or leaves LPM3/LPM4 modes under the following conditions:

- 1) Comparator is disabled (CECTL1.CEON = 0)

AND

- 2) Output polarity is enabled (CECTL1.CEOUTPOL = 1)

AND

- 3) The port pin is configured to have CEOUT functionality.

For example, if the CEOUT pin is high when the device is in Active Mode, CEOUT pin becomes low when the device enters LPM3/LPM4 modes.

**Workaround** When the comparator is disabled, ensure at least one of the following:

- 1) Output inversion is disabled (CECTL.CEOUTPOL = 0)

OR

- 2) Change pin configuration from CEOUT to GPIO with output low.

**CPU21** ***CPU Module***

---

**Category** Compiler-Fixed

**Function** Using POPM instruction on Status register may result in device hang up

**Description** When an active interrupt service request is pending and the POPM instruction is used to set the Status Register (SR) and initiate entry into a low power mode , the device may hang up.

**Workaround** None. It is recommended not to use POPM instruction on the Status Register.

Refer to the table below for compiler-specific fix implementation information.

IDE/Compiler	Version Number	Notes
IAR Embedded Workbench	Not affected	
TI MSP430 Compiler Tools (Code Composer Studio)	v4.0.x or later	User is required to add the compiler or assembler flag option below. --silicon_errata=CPU21
MSP430 GNU Compiler (MSP430-GCC)	MSP430-GCC 4.9 build 167 or later	

**CPU22** ***CPU Module***

---

**Category** Compiler-Fixed

**Function** Indirect addressing mode with the Program Counter as the source register may produce unexpected results

**Description** When using the indirect addressing mode in an instruction with the Program Counter (PC) as the source operand, the instruction that follows immediately does not get executed. For example in the code below, the ADD instruction does not get executed.

```
mov @PC, R7
add #1h, R4
```

**Workaround** Refer to the table below for compiler-specific fix implementation information.

IDE/Compiler	Version Number	Notes
IAR Embedded Workbench	Not affected	
TI MSP430 Compiler Tools (Code Composer Studio)	v4.0.x or later	User is required to add the compiler or assembler flag option below. --silicon_errata=CPU22
MSP430 GNU Compiler (MSP430-GCC)	MSP430-GCC 4.9 build 167 or later	

## CPU36

### **CPU Module**

---

**Category**

Functional

**Function**

PC corruption when single-stepping through flash erase

**Description**

When single-stepping over code that initiates an INFOD Flash memory erase, the program counter is corrupted.

**Workaround**

None.

NOTE: This erratum applies to debug mode only.

## CPU37

### **CPU Module**

---

**Category**

Functional

**Function**

Wrong program trace display in the debugger while using conditional jump instructions

**Description**

The state storage window displays an incorrect sequence of instructions when:

1. Conditional jump instructions are used to form a software loop

AND

2. A false condition on the jump breaks out of the loop

In such cases the trace buffer incorrectly displays the first instruction of the loop as the instruction that is executed immediately after exiting the loop.

Example:

Actual Code:

```
mov #4,R4
LABEL mov #1,R5
dec R4
jnz LABEL
```

```
mov #2,R6
nop
```

State Storage Window Displays:  
 LABEL mov #1,R5  
 dec R4  
 jnz LABEL  
 mov #1,R5  
 nop

**Workaround** None

Note: This erratum affects the trace buffer display only. It does not affect code execution in debugger or free run mode

**CPU40** ***CPU Module***

**Category** Compiler-Fixed

**Function** PC is corrupted when executing jump/conditional jump instruction that is followed by instruction with PC as destination register or a data section

**Description** If the value at the memory location immediately following a jump/conditional jump instruction is 0X40h or 0X50h (where X = don't care), which could either be an instruction opcode (for instructions like RRCM, RRAM, RLAM, RRUM) with PC as destination register or a data section (const data in flash memory or data variable in RAM), then the PC value is auto-incremented by 2 after the jump instruction is executed; therefore, branching to a wrong address location in code and leading to wrong program execution.

For example, a conditional jump instruction followed by data section (0140h).

```
@0x8012 Loop DEC.W R6
@0x8014 DEC.W R7
@0x8016 JNZ Loop
@0x8018 Value1 DW 0140h
```

**Workaround** In assembly, insert a NOP between the jump/conditional jump instruction and program code with instruction that contains PC as destination register or the data section.

Refer to the table below for compiler-specific fix implementation information.

IDE/Compiler	Version Number	Notes
IAR Embedded Workbench	IAR EW430 v5.51 or later	For the command line version add the following information Compiler: --hw_workaround=CPU40 Assembler:-v1
TI MSP430 Compiler Tools (Code Composer Studio)	v4.0.x or later	User is required to add the compiler or assembler flag option below. --silicon_errata=CPU40
MSP430 GNU Compiler (MSP430-GCC)	Not affected	

<b>CPU46</b>	<b>CPU Module</b>
<b>Category</b>	Functional
<b>Function</b>	POPM performs unexpected memory access and can cause VMAIFG to be set
<b>Description</b>	When the POPM assembly instruction is executed, the last Stack Pointer increment is followed by an unintended read access to the memory. If this read access is performed on vacant memory, the VMAIFG will be set and can trigger the corresponding interrupt (SFRIE1.VMAIE) if it is enabled. This issue occurs if the POPM assembly instruction is performed up to the top of the STACK.
<b>Workaround</b>	If the user is utilizing C, they will not be impacted by this issue. All TI/IAR/GCC pre-built libraries are not impacted by this bug. To ensure that POPM is never executed up to the memory border of the STACK when using assembly it is recommended to either

1. Initialize the SP to
  - a. TOP of STACK - 4 bytes if POPM.A is used
  - b. TOP of STACK - 2 bytes if POPM.W is used

OR

2. Use the POPM instruction for all but the last restore operation. For the the last restore operation use the POP assembly instruction instead.

For instance, instead of using:

```
POPM.W #5,R13
```

Use:

```
POPM.W #4,R12
POP.W R13
```

Refer to the table below for compiler-specific fix implementation information.

IDE/Compiler	Version Number	Notes
IAR Embedded Workbench	Not affected	C code is not impacted by this bug. User using POPM instruction in assembler is required to implement the above workaround manually.
TI MSP430 Compiler Tools (Code Composer Studio)	Not affected	C code is not impacted by this bug. User using POPM instruction in assembler is required to implement the above workaround manually.
MSP430 GNU Compiler (MSP430-GCC)	Not affected	C code is not impacted by this bug. User using POPM instruction in assembler is required to implement the above workaround manually.

<b>CPU47</b>	<b><i>CPU Module</i></b>
<b>Category</b>	Functional
<b>Function</b>	An unexpected Vacant Memory Access Flag (VMAIFG) can be triggered
<b>Description</b>	<p>An unexpected Vacant Memory Access Flag (VMAIFG) can be triggered, if a PC-modifying instruction (e.g. - ret, push, call, pop, jmp, br) is fetched from the last addresses (last 4 or 8 byte) of a memory (e.g.- FLASH, RAM, FRAM) that is not contiguous to a higher, valid section on the memory map.</p> <p>In debug mode using breakpoints the last 8 bytes are affected.</p> <p>In free running mode the last 4 bytes are affected.</p>
<b>Workaround</b>	<p>Edit the linker command file to make the last 4 or 8 bytes of affected memory sections unavailable, to avoid PC-modifying instructions on these locations.</p> <p>Remaining instructions or data can still be stored on these locations.</p>
<b>DMA4</b>	<b><i>DMA Module</i></b>
<b>Category</b>	Functional
<b>Function</b>	Corrupted write access to 20-bit DMA registers
<b>Description</b>	When a 20-bit wide write to a DMA address register (DMAxSA or DMAxDA) is interrupted by a DMA transfer, the register contents may be unpredictable.
<b>Workaround</b>	<ol style="list-style-type: none"> <li>1. Design the application to guarantee that no DMA access interrupts 20-bit wide accesses to the DMA address registers.</li> </ol> <p>OR</p> <ol style="list-style-type: none"> <li>2. When accessing the DMA address registers, enable the Read Modify Write disable bit (DMARMWDIS = 1) or temporarily disable all active DMA channels (DMAEN = 0).</li> </ol> <p>OR</p> <ol style="list-style-type: none"> <li>3. Use word access for accessing the DMA address registers. Note that this limits the values that can be written to the address registers to 16-bit values (lower 64K of Flash).</li> </ol>
<b>DMA7</b>	<b><i>DMA Module</i></b>
<b>Category</b>	Functional
<b>Function</b>	DMA request may cause the loss of interrupts
<b>Description</b>	If a DMA request starts executing during the time when a module register containing an interrupt flags is accessed with a read-modify-write instruction, a newly arriving interrupt from the same module can get lost. An interrupt flag set prior to DMA execution would not be affected and remain set.
<b>Workaround</b>	<ol style="list-style-type: none"> <li>1. Use a read of Interrupt Vector registers to clear interrupt flags and do not use read-modify-write instruction.</li> </ol> <p>OR</p> <ol style="list-style-type: none"> <li>2. Disable all DMA channels during read-modify-write instruction of specific module registers containing interrupts flags while these interrupts are activated.</li> </ol>

<b>DMA9</b>	<b><i>DMA Module</i></b>
<b>Category</b>	Functional
<b>Function</b>	DMA stops transferring bytes unexpectedly
<b>Description</b>	When the DMA is configured to transfer bytes from the eUSCI_A or eUSCI_B transmit or receive buffers, the transmit or receive triggers (TXIFG and RXIFG) may not be seen by the DMA module and the transfer of the bytes is missed. Once the first byte in a transfer sequence is missed, all the following bytes are missed as well. All eUSCI_A modes (UART, SPI, and IrDA) and all eUSCI_B modes (SPI and I2C) are affected.
<b>Workaround</b>	1) Use Interrupt Service Routines to transfer data to and from the eUSCI_A or eUSCI_B. OR 2) When using DMA channel 0 for transferring data to and from the eUSCI_A or eUSCI_B, use DMA channel 2 (lower priority than DMA channel 0) to read the same register of the eUSCI_A or eUSCI_B that DMA channel 0 is working with. Use the same USCIFG (e.g. UCA0RXIFG) as trigger source for these both DMA channels.
<b>DMA10</b>	<b><i>DMA Module</i></b>
<b>Category</b>	Functional
<b>Function</b>	DMA access may cause invalid module operation
<b>Description</b>	The peripheral modules MPY, CRC, USB, RF1A and FRAM controller in manual mode can stall the CPU by issuing wait states while in operation. If a DMA access to the module occurs while that module is issuing a wait state, the module may exhibit undefined behavior.
<b>Workaround</b>	Ensure that DMA accesses to the affected modules occur only when the modules are not in operation. For example with the MPY module, ensure that the MPY operation is completed before triggering a DMA access to the MPY module.
<b>EEM17</b>	<b><i>EEM Module</i></b>
<b>Category</b>	Debug
<b>Function</b>	Wrong Breakpoint halt after executing Flash Erase/Write instructions
<b>Description</b>	Hardware breakpoints or Conditional Address triggered breakpoints on instructions that follow Flash Erase/Write instructions, stops the debugger at the actual Flash Erase/Write instruction even though the flash erase/write operation has already been executed. The hardware/conditional address triggered breakpoints that are placed on either the next two single opcode instructions OR the next double opcode instruction that follows the Flash Erase/Write instruction are affected by this erratum.
<b>Workaround</b>	None. Use other conditional/advanced triggered breakpoints to halt the debugger right after Flash erase/write instructions.

---

**Note**

This erratum affects debug mode only.

---

<b>EEM19</b>	<b><i>EEM Module</i></b>
--------------	--------------------------

<b>Category</b>	Debug
<b>Function</b>	DMA may corrupt data in debug mode
<b>Description</b>	When the DMA is enabled and the device is in debug mode, the data written by the DMA may be corrupted when a breakpoint is hit or when the debug session is halted.
<b>Workaround</b>	This erratum has been addressed in MSPDebugStack version 3.5.0.1. It is also available in released IDE EW430 IAR version 6.30.3 and CCS version 6.1.1 or newer. If using an earlier version of either IDE or MSPDebugStack, do not halt or use breakpoints during a DMA transfer.

---

**Note**

This erratum applies to debug mode only.

---

## EEM23

### ***EEM Module***

---

<b>Category</b>	Debug
<b>Function</b>	EEM triggers incorrectly when modules using wait states are enabled
<b>Description</b>	When modules using wait states (USB, MPY, CRC and FRAM controller in manual mode) are enabled, the EEM may trigger incorrectly. This can lead to an incorrect profile counter value or cause issues with the EEMs data watch point, state storage, and breakpoint functionality.
<b>Workaround</b>	None.

---

**Note**

This erratum affects debug mode only.

---

## JTAG26

### ***JTAG Module***

---

<b>Category</b>	Debug
<b>Function</b>	LPMx.5 Debug Support Limitations
<b>Description</b>	<p>The JTAG connection to the device might fail at device-dependent low or high supply voltage levels if the LPMx.5 debug support feature is enabled. To avoid a potentially unreliable debug session or general issues with JTAG device connectivity and the resulting bad customer experience Texas Instruments has chosen to remove the LPMx.5 debug support feature from common MSP430 IDEs including TIs Code Composer Studio 6.1.0 with msp430.emu updated to version 6.1.0.7 and IARs Embedded Workbench 6.30.2, which are based on the MSP430 debug stack MSP430.DLL 3.5.0.1 <a href="http://www.ti.com/tool/MSPDS">http://www.ti.com/tool/MSPDS</a></p> <p>TI plans to re-introduce this feature in limited capacity in a future release of the debug stack by providing an IDE override option for customers to selectively re-activate LPMx.5 debug support if needed. Note that the limitations and supply voltage dependencies outlined in this erratum will continue to apply.</p> <p>For additional information on how the LPMx.5 debug support is handled within the MSP430 IDEs including possible workarounds on how to debug applications using LPMx.5 without toolchain support refer to <a href="#">Code Composer Studio User's Guide for MSP430 chapter F.4</a> and <a href="#">IAR Embedded Workbench User's Guide for MSP430 chapter 2.2.5</a>.</p>

- Workaround**
1. If LPMx.5 debug support is deemed functional and required in a given scenario:
    - a) Do not update the IDE to continue using a previous version of the debug stack such as MSP430.DLL v3.4.3.4.

OR

    - b) Roll back the debug stack by either performing a clean re-installation of a previous version of the IDE or by manually replacing the debug stack with a prior version such as MSP430.DLL v3.4.3.4 that can be obtained from <http://www.ti.com/tool/MSPDS>.
  2. In case JTAG connectivity fails during the LPMx.5 debug mode, the device supply voltage level needs to be raised or lowered until the connection is working.
- Do not enable the LPMx.5 debug support feature during production programming.

## JTAG27

### **JTAG Module**

---

**Category**

Debug

**Function**

Unintentional code execution after programming via JTAG/SBW

**Description**

The device can unintentionally start executing code from uninitialized RAM addresses 0x0006 or 0x0008 after being programmed via the JTAG or SBW interface. This can result in unpredictable behavior depending on the contents of the address location.

**Workaround**

1. If using programming tools purchased from TI (MSP-FET, LaunchPad), update to CCS version 6.1.3 later or IAR version 6.30 or later to resolve the issue.
2. If using the MSP-GANG Production Programmer, use v1.2.3.0 or later.
3. For custom programming solutions refer to the specification on MSP430 Programming Via the JTAG Interface User's Guide (SLAU320) revision V or newer and use MSPDebugStack v3.7.0.12 or later.

For MSPDebugStack (MSP430.DLL) in CCS or IAR, download the latest version of the development environment or the latest version of the [MSPDebugStack](#)

NOTE: This only affects debug mode.'

## LCDB6

### **LCDB Module**

---

**Category**

Functional

**Function**

LCD outputs may be corrupted by modifying register fields VLCDx and/or LCDCPEN of LCDCVCTL register while LCDON (LCDCCTL0) is set

**Description**

Writing to VLCDx and/or LCDCPEN register bits in LCDCVCTL register while LCDON is enabled (LCDON = '1' in LCDCCTL0 register) may corrupt the LCD output due to incorrect start-up of LCD-controller and internal voltage generation.

**Workaround**

Do not modify VLCDx and/or LCDCPEN bits in LCDCVCTL register while LCDON = '1'

## PMM11

### **PMM Module**

---

**Category**

Functional



<b>Function</b>	MCLK comes up fast on exit from LPM3 and LPM4
<b>Description</b>	The DCO exceeds the programmed frequency of operation on exit from LPM3 and LPM4 for up to 6 us. This behavior is masked from affecting code execution by default: SVSL and SVML run in normal-performance mode and mask CPU execution for 150 us on wakeup from LPM3 and LPM4. However, when the low-side SVS and the SVM are disabled or are operating in full-performance mode (SVMLE= 0 and SVSLE= 0, or SVMLE= 1 and SVSLE= 1) AND MCLK is sourced from the internal DCO running over 4 MHz, 7 MHz, 11 MHz, or 14 MHz at core voltage levels 0, 1, 2, and 3, respectively, the mask lasts only 2 us. MCLK is, therefore, susceptible to run out of spec for 4 us.
<b>Workaround</b>	Set the MCLK divide bits in the Unified Clock System Control 5 Register (UCSCTL5) to divide MCLK by two prior to entering LPM3 or LPM4 (set DIVMx= 001). This prevents MCLK from running out of spec when the CPU wakes from the low-power mode. Following the wakeup from the low-power mode, wait 32, 48, 80, or 100 cycles for core voltage levels 0, 1, 2, and 3, respectively, before resetting DIVMx to zero and running MCLK at full speed [for example, <code>__delay_cycles(100)</code> ]
<b>PMM12</b>	<b><i>PMM Module</i></b>
<b>Category</b>	Functional
<b>Function</b>	SMCLK comes up fast on exit from LPM3 and LPM4
<b>Description</b>	The DCO exceeds the programmed frequency of operation on exit from LPM3 and LPM4 for up to 6 us. When SMCLK is sourced by the DCO, it is not masked on exit from LPM3 or LPM4. Therefore, SMCLK exceeds the programmed frequency of operation on exit from LPM3 and LPM4 for up to 6 us. The increased frequency has the potential to change the expected timing behavior of peripherals that select SMCLK as the clock source.
<b>Workaround</b>	- Use XT2 as the SMCLK oscillator source instead of the DCO  or  - Do not disable the clock request bit for SMCLKREQEN in the Unified Clock System Control 8 Register (UCSCTL8). This means that all modules that depend on SMCLK to operate successfully should be halted or disabled before entering LPM3 or LPM4. If the increased frequency prevents the proper function of an affected module, wait 32, 48, 80 or 100 cycles for core voltage levels 0, 1, 2, or 3, respectively, before re-enabling the module. (for example, <code>__delay_cycles(100)</code> )
<b>PMM14</b>	<b><i>PMM Module</i></b>
<b>Category</b>	Functional
<b>Function</b>	Increasing the core level when SVS/SVM low side is configured in full-performance mode causes device reset
<b>Description</b>	When the SVS/SVM low side is configured in full performance mode (SVSMLCTL.SVSLFP = 1), the setting time delay for the SVS comparators is ~2us. When increasing the core level in full-performance mode; the core voltage does not settle to the new level before the settling time delay of the SVS/SVM comparator expires. This results in a device reset.
<b>Workaround</b>	When increasing the core level; enable the SVS/SVM low side in normal mode (SVSMLCTL.SVSLFP=0). This provides a settling time delay of approximately 150us allowing the core sufficient time to increase to the expected voltage before the delay expires.

**PMM15****PMM Module****Category**

Functional

**Function**

Device may not wake up from LPM2, LPM3, or LPM4

**Description**

Device may not wake up from LPM2, LPM3 or LPM4 if an interrupt occurs within 1 us after the entry to the specified LPMx; entry can be caused either by user code or automatically (for example, after a previous ISR is completed). Device can be recovered with an external reset or a power cycle. Additionally, a PUC can also be used to reset the failing condition and bring the device back to normal operation (for example, a PUC caused by the WDT).

This effect is seen when:

- A write to the SVSMHCTL and SVSMLCTL registers is immediately followed by an LPM2, LPM3, LPM4 entry without waiting the requisite settling time ((PMMIFG.SVSMLDLYIFG = 0 and PMMIFG.SVSMHDLYIFG = 0)).

or

The following two conditions are met:

- The SVSL module is configured for a fast wake-up or when the SVSL/SVML module is turned off. The affected SVSMLCTL register settings are shaded in the following table.

SVSL	SVSLE	SVSLMD	SVSLFP	AM, LPM0/1 SVSL state	Manual	Automatic	Wakeup Time LPM2/3/4
					SVSMLACE = 0 LPM2/3/4 SVSL State	SVSMLACE = 1 LPM2/3/4 SVSL State	
	0	x	x	OFF	OFF	OFF	$t_{\text{WAKE-UP FAST}}$
	1	0	0	Normal	OFF	OFF	$t_{\text{WAKE-UP SLOW}}$
	1	0	1	Full Performance	OFF	OFF	$t_{\text{WAKE-UP FAST}}$
	1	1	0	Normal	Normal	OFF	$t_{\text{WAKE-UP SLOW}}$
	1	1	1	Full Performance	Full Performance	Normal	$t_{\text{WAKE-UP FAST}}$
SVML	SVMLE	SVMLFP		AM, LPM0/1 SVML state	Manual	Automatic	Wakeup Time LPM2/3/4
					SVSMLACE = 0 LPM2/3/4 SVML State	SVSMLACE = 1 LPM2/3/4 SVML State	
		0	x	OFF	OFF	OFF	$t_{\text{WAKE-UP FAST}}$
		1	0	Normal	Normal	OFF	$t_{\text{WAKE-UP SLOW}}$
	1	1	Full Performance	Full Performance	Normal	$t_{\text{WAKE-UP FAST}}$	

and

-The SVSH/SVMH module is configured to transition from Normal mode to an OFF state when moving from Active/LPM0/LPM1 into LPM2/LPM3/LPM4 modes. The affected SVSMHCTL register settings are shaded in the following table.

	SVSHE	SVSHMD	SVSHFP	AM, LPM0/1 SVSH state	Manual SVSMHACE = 0	Automatic SVSMHACE = 1
					LPM2/3/4 SVSH State	LPM2/3/4 SVSH State
SVSH	0	x	x	OFF	OFF	OFF
	1	0	0	Normal	OFF	OFF
	1	0	1	Full Performance	OFF	OFF
	1	1	0	Normal	Normal	OFF
	1	1	1	Full Performance	Full Performance	Normal
SVMH	SVMHE	SVMHFP		AM, LPM0/1 SVMH state	Manual SVSMHACE = 0	Automatic SVSMHACE = 1
					LPM2/3/4 SVMH State	LPM2/3/4 SVMH State
	0	x	OFF	OFF	OFF	
	1	0	Normal	Normal	OFF	
1	1	Full Performance	Full Performance	Normal		

**Workaround**

Any write to the SVSMxCTL register must be followed by a settling delay (PMMIFG.SVSMLDLYIFG = 0 and PMMIFG.SVSMHDLYIFG = 0) before entering LPM2, LPM3, LPM4.

and

1. Ensure the SVSx, SVMx are configured to prevent the issue from occurring by the following:

- Configure the SVSL module for slow wake up (SVSLFP = 0). Note that this will increase the wake up time from LPM2/3/4 to twakeupslow (~150 us).

or

- Do not configure the SVSH/SVMH such that the modules transition from Normal mode to an OFF state on LPM entry and ensure SVSH/SVMH is in manual mode. Instead force the modules to remain ON even in LPMx. Note that this will cause increased power consumption when in LPMx.

Refer to the MSP430 Driver Library([MSPDRIVERLIB](#)) for proper PMM configuration functions.

Use the following function, PMM15Check (void), to determine whether or not the existing PMM configuration is affected by the erratum. The return value of the function is 1 if the configuration is affected, and 0 if the configuration is not affected.

```

unsigned char PMM15Check (void)
{
// First check if SVSL/SVML is configured for fast wake-up
if ( (!(SVSMLCTL & SVSLE) ) || ((SVSMLCTL & SVSLE) && (SVSMLCTL & SVSLFP)) ||
(!(SVSMLCTL & SVMLE) ) || ((SVSMLCTL & SVMLE) && (SVSMLCTL & SVMLEFP)) )
{ // Next Check SVSH/SVMH settings to see if settings are affected by PMM15
if ((SVSMHCTL & SVSHE) && (!(SVSMHCTL & SVSHFP)))
{
if ( (!(SVSMHCTL & SVSHMD) ) || ((SVSMHCTL & SVSHMD) &&
(SVSMHCTL & SVSMHACE) ) )
return 1; // SVSH affected configurations
}
if ((SVSMHCTL & SVMHE) && (!(SVSMHCTL & SVMHFP)) && (SVSMHCTL &
SVSMHACE))
return 1; // SVMH affected configurations
}
}

```

```
return 0; // SVS/M settings not affected by PMM15
}
}
```

2. If fast servicing of interrupts is required, add a 150us delay either in the interrupt service routine or before entry into LPM3/LPM4.

**PMM18*****PMM Module*****Category**

Functional

**Function**

PMM supply overvoltage protection falsely triggers POR

**Description**

The PMM Supply Voltage Monitor (SVM) high side can be configured as overvoltage protection (OVP) using the SVMHOVPE bit of SVSMHCTL register. In this mode a POR should typically be triggered when DVCC reaches ~3.75V. If the OVP feature of SVM high side is enabled going into LPM234, the SVM might trigger at DVCC voltages below 3.6V (~3.5V) within a few ns after wake-up. This can falsely cause an OVP-triggered POR. The OVP level is temperature sensitive during fail scenario and decreases with higher temperature (85 degC ~3.2V).

**Workaround**

Use automatic control mode for high-side SVS & SVM (SVSMHCTL.SVSMHACE=1). The SVM high side is inactive in LPM2, LPM3, and LPM4.

**PMM20*****PMM Module*****Category**

Functional

**Function**

Unexpected SVSL/SVML event during wakeup from LPM2/3/4 in fast wakeup mode

**Description**

If PMM low side is configured to operate in fast wakeup mode, during wakeup from LPM2/3/4 the internal Vcore voltage can experience voltage drop below the corresponding SVSL and SVML threshold (recommendation according to User's Guide) leading to an unexpected SVSL/SVML event. Depending on PMM configuration, this event triggers a POR or an interrupt.

**Note**

As soon the SVSL or the SVML is enabled in Normal performance mode the device is in slow wakeup mode and this erratum does not apply. In addition, this erratum has sporadic characteristic due to an internal asynchronous circuit. The drop of Vcore does not have an impact on specified device performance.

**Workaround**

If SVSL or SVML is required for application (to observe external disruptive events at Vcore pin) the slow wakeup mode has to be used to avoid unexpected SVSL/SVML events. This is achieved if the SVSL or the SVML is configured in "Normal" performance mode (not disabled and not in "Full" Performance Mode).

**PMM26*****PMM Module*****Category**

Functional

**Function**

Device lock-up if RST pin pulled low during write to SVSMHCTL or SVSMLCTL

**Description**

Device results in lock-up condition under one of the two scenarios below:

1) If RST pin is pulled low during write access to SVSMHCTL, with the RST/NMI pin

is configured to reset function and is pulled low (reset event) the device will stop code execution and is continuously held in reset state. RST pin is no longer functional. The only way to come out of the lock-up situation is a power cycle.

OR

2) If RST pin is pulled low during write access to SVSMLCTL and only if the code that checks for SVSMLDLYIFG==1 is implemented without a timeout. The device will be stuck in the polling loop polling since SVSMLDLYIFG will never be cleared.

**Workaround**

Follow the sequence below to prevent the lock-up for both use cases:

1) Disable RST pin reset function and switch to NMI before access SVSMHCTL or SVSMLCTL.

then

2) Activate NMI interrupt and handle reset events in this time by SW (optional if reset functionality required during access SVSMHCTL or SVSMLCTL)

then

3) Enable RST pin reset function after access to SVSMHCTL or SVSMLCTL

To prevent lock-up caused by use case #2 a timeout for the SVSMLDLYIFG flag check should be implemented to 300us.

**PORT15**

***PORT Module***

**Category**

Functional

**Function**

In-system debugging causes the PMALOCKED bit to be always set

**Description**

The port mapping controller registers cannot be modified when single-stepping or halting at break points between a valid password write to the PMAPWD register and the expected lock of the port mapping (PMAP) registers. This causes the PMAPLOCKED bit to remain set and not clear as expected.

Note: This erratum only applies to in-system debugging and is not applicable when operating in free-running mode.

**Workaround**

Do not single step through or place break points in the port mapping configuration section of code.

**PORT19**

***PORT Module***

**Category**

Functional

**Function**

Port interrupt may be missed on entry to LPMx.5

**Description**

If a port interrupt occurs within a small timing window (~1MCLK cycle) of the device entry into LPM3.5 or LPM4.5, it is possible that the interrupt is lost. Hence this interrupt will not trigger a wakeup from LPMx.5.

**Workaround**

None

**PORT26**

***PORT Module***

**Category**

Functional

**Function**

Incorrect values for P1.1 / P1.2 input pins during power-up

<b>Description</b>	If P1.1/P1.2 is pulled up externally to DVCC during power-up the logical HIGH value might not be read correct by the device (ZERO is read instead of ONE).
<b>Workaround</b>	1) Switch the P1.1/P1.2 Port to logical ZERO after power cycle by: a) Switch critical GPIO to output-low (with series resistance to limit current) or b) Remove external pull up connection to pull GPIO via internal pull-down  OR  2) Use different GPIOs (not P1.1 & P1.2)  OR  3) Change the polarity of the logical check in SW (enable internal pull-up resistor for the GPIO and pull the external pin to DVSS)
<hr/>	
<b>RTC8</b>	<b><i>RTC Module</i></b>
<b>Category</b>	Functional
<b>Function</b>	RTC calendar tamper detection feature fails when DVCC and AUXVCC1 off.
<b>Description</b>	When DVCC and AUXVCC1 are off, the tamper detection function triggered by RTCCAP0 and RTCCAP1 pins cannot get a correct time stamp value.
<b>Workaround</b>	None
<hr/>	
<b>SD3</b>	<b><i>SD Module</i></b>
<b>Category</b>	Functional
<b>Function</b>	Incorrect conversion result in twos complement mode when -VFS is applied
<b>Description</b>	When the SD converter is configured in twos complement mode with left or right alignment and any OSR setting, applying the -VFS voltage at the input will result in an erroneous output.
<b>Workaround</b>	None.
<hr/>	
<b>SYS16</b>	<b><i>SYS Module</i></b>
<b>Category</b>	Functional
<b>Function</b>	Fast Vcc ramp after device power up may cause a reset
<b>Description</b>	At initial power-up, after Vcc crosses the brownout threshold and reaches a constant level, an abrupt ramp of Vcc at a rate $dV/dT > 1V/100\mu s$ can cause a brownout condition to be incorrectly detected even though Vcc does not fall below the brownout threshold. This causes the device to undergo a reset.
<b>Workaround</b>	Use a controlled Vcc ramp to power up the device.
<hr/>	
<b>UCS11</b>	<b><i>UCS Module</i></b>
<b>Category</b>	Functional
<b>Function</b>	Modifying UCSCCTL4 clock control register triggers an additional erroneous clock request

**Description** Changing the SELM/SELS/SELA bits in the UCSCTL4 register will correctly configure the respective clock to use the intended clock source but might also erroneously set XT1/XT2 fault flag if the crystals are not present at XT1/XT2 or not configured in the application firmware. If the NMI interrupt for the OFIFG is enabled, an unintentional NMI interrupt will be triggered and needs to be handled.

**Note**

The XT1/XT2 fault flag can be set regardless of which SELM/SELS/SELA bit combinations are being changed.

**Workaround** Clear all the fault flags in UCSCTL7 register once after changing any of the SELM/SELS/SELA bits in the UCSCTL4 register.  
If OFIFG-NMI is enabled during clock switching, disable OFIFG-NMI interrupt during changing the SELM/SELS/SELA bits in the UCSCTL4 register to prevent unintended NMI. Alternatively it can be handled accordingly (clear falsely set fault flags) in the Interrupt Service Routine to ensure proper OFIFG clearing.

**USCI36** *USCI Module*

**Category** Functional

**Function** UCLKI not usable in I2C master mode

**Description** When EUSCIB is configured as I2C Master with the external UCLKI as clock source, the UCLKI signal is not available and cannot be used to source I2C clock.

**Workaround** Use LFXCLK via ACLK or HFXTCLK via SMCLK as clock source (BRCLK) for I2C in master mode with external clock source.

**USCI37** *USCI Module*

**Category** Functional

**Function** Reading RXBUF during an active I2C communication might result in unintended bus stalls.

**Description** The falling edge of SCL bus line is used to set an internal RXBUF-written flag register, which is used to detect a potential RXBUF overflow. If this flag is cleared with a read access from the RXBUF register during a falling edge of SCL, the clear condition might be missed. This could result in an I2C bus stall at the next received byte.

**Workaround** (1) Execute two consecutive reads of RXBUF, if  $t_{SCL} > 4 \times t_{MCLK}$ .  
or

(2) Provoke an I2C bus stall before reading RXBUF. A bus stall can be verified by checking if the clock line low status indicator bit UCSCLLOW is set for at least three USCI bit clock cycles i.e.  $3 \times t_{BitClock}$ .

**USCI41** *USCI Module*

**Category** Functional

**Function** UCBUSY bit of eUSCIA module might not work reliable when device is in SPI mode.

**Description** When eUSCIA is configured in SPI mode, the UCBUSY bit might get stuck to 1 or start toggling after transmission is completed. This happens in all four combinations of Clock



Phase and Clock Polarity options (UCAxCTLW0.UCCKPH & UCAxCTLW0.UCCKPL bits) as well as in Master and Slave mode. There is no data loss or corruption. However the UCBUSY cannot be used in its intended function to check if transmission is completed. Because the UCBUSY bit is stuck to 1 or toggles, the clock request stays enabled and this adds additional current consumption in low power mode operation.

**Workaround**

For correct functional implementation check on transmit or receive interrupt flag UCTXIFG/UCRXIFG instead of UCBUSY to know if the UCAxTXBUF buffer is empty or ready for the next complete character.

To reduce the additional current it is recommended to either reset the SPI module (UCAxCTLW0.UCSWRST) in the UCBxCTLW0 or send a dummy byte 0x00 after the intended SPI transmission is completed.

**USCI42*****USCI Module*****Category**

Functional

**Function**

UART asserts UCTXIPTIFG after each byte in multi-byte transmission

**Description**

UCTXCPTIFG flag is triggered at the last stop bit of every UART byte transmission, independently of an empty buffer, when transmitting multiple byte sequences via UART. The erroneous UART behavior occurs with and without DMA transfer.

**Workaround**

None.

**USCI47*****USCI Module*****Category**

Functional

**Function**

eUSCI SPI slave with clock phase UCCKPH = 1

**Description**

The eUSCI SPI operates incorrectly under the following conditions:

1. The eUSCI\_A or eUSCI\_B module is configured as a SPI slave with clock phase mode UCCKPH = 1

AND

2. The SPI clock pin is not at the appropriate idle level (low for UCCKPL = 0, high for UCCKPL = 1) when the UCSWRST bit in the UCxxCTLW0 register is cleared.

If both of the above conditions are satisfied, then the following will occur:

eUSCI\_A: the SPI will not be able to receive a byte (UCAxRXBUF will not be filled and UCRXIFG will not be set) and SPI slave output data will be wrong (first bit will be missed and data will be shifted).

eUSCI\_B: the SPI receives data correctly but the SPI slave output data will be wrong (first byte will be duplicated or replaced by second byte).

**Workaround**

Use clock phase mode UCCKPH = 0 for MSP SPI slave if allowed by the application.

OR

The SPI master must set the clock pin at the appropriate idle level (low for UCCKPL = 0, high for UCCKPL = 1) before SPI slave is reset (UCSWRST bit is cleared).

OR

For eUSCI\_A: to detect communication failure condition where UCRXIFG is not set, check



both UCRXIFG and UCTXIFG. If UCTXIFG is set twice but UCRXIFG is not set, reset the MSP SPI slave by setting and then clearing the UCSWRST bit, and inform the SPI master to resend the data.

**USCI50**
***USCI Module***


---

**Category**

Functional

**Function**

Data may not be transmitted correctly from the eUSCI when operating in SPI 4-pin master mode with UCSTEM = 0

**Description**

When the eUSCI is used in SPI 4-pin master mode with UCSTEM = 0 (STE pin used as an input to prevent conflicts with other SPI masters), data that is moved into UCxTXBUF while the UCxSTE input is in the inactive state may not be transmitted correctly. If the eUSCI is used with UCSTEM = 1 (STE pin used to output an enable signal), data is transmitted correctly.

**Workaround**

When using the STE pin in conflict prevention mode (UCSTEM = 0), only move data into UCxTXBUF when UCxSTE is in the active state. If an active transfer is aborted by UCxSTE transitioning to the master-inactive state, the data must be rewritten into UCxTXBUF to be transferred when UCxSTE transitions back to the master-active state.

## 7 Revision History

NOTE: Page numbers for previous revisions may differ from page numbers in the current version.

<b>Changes from April 24, 2019 to May 19, 2021</b>	<b>Page</b>
<ul style="list-style-type: none"><li>Changed the document format and structure; updated the numbering format for tables, figures, and cross references throughout the document.....</li></ul>	<b>6</b>

---

## IMPORTANT NOTICE AND DISCLAIMER

TI PROVIDES TECHNICAL AND RELIABILITY DATA (INCLUDING DATASHEETS), DESIGN RESOURCES (INCLUDING REFERENCE DESIGNS), APPLICATION OR OTHER DESIGN ADVICE, WEB TOOLS, SAFETY INFORMATION, AND OTHER RESOURCES "AS IS" AND WITH ALL FAULTS, AND DISCLAIMS ALL WARRANTIES, EXPRESS AND IMPLIED, INCLUDING WITHOUT LIMITATION ANY IMPLIED WARRANTIES OF MERCHANTABILITY, FITNESS FOR A PARTICULAR PURPOSE OR NON-INFRINGEMENT OF THIRD PARTY INTELLECTUAL PROPERTY RIGHTS.

These resources are intended for skilled developers designing with TI products. You are solely responsible for (1) selecting the appropriate TI products for your application, (2) designing, validating and testing your application, and (3) ensuring your application meets applicable standards, and any other safety, security, or other requirements. These resources are subject to change without notice. TI grants you permission to use these resources only for development of an application that uses the TI products described in the resource. Other reproduction and display of these resources is prohibited. No license is granted to any other TI intellectual property right or to any third party intellectual property right. TI disclaims responsibility for, and you will fully indemnify TI and its representatives against, any claims, damages, costs, losses, and liabilities arising out of your use of these resources.

TI's products are provided subject to TI's Terms of Sale (<https://www.ti.com/legal/termsofsale.html>) or other applicable terms available either on [ti.com](https://www.ti.com) or provided in conjunction with such TI products. TI's provision of these resources does not expand or otherwise alter TI's applicable warranties or warranty disclaimers for TI products.

Mailing Address: Texas Instruments, Post Office Box 655303, Dallas, Texas 75265  
Copyright © 2021, Texas Instruments Incorporated